

# DV50K8600GV

Samsung Top-Load Gas Dryer

## 7.4 cu. ft. Capacity DOE

### Features

- ENERGY STAR® 2016 Certified – Meets strict energy-consumption requirements.
- Multi-Steam Technology:
  - Steam Refresh
  - Steam Wrinkle Away
  - Steam Sanitize
- Vent Sensor
- Eco Dry
- Sensor Dry
- Smart Care
- Stainless Steel Drum
- Interior Drum Light
- 12 Preset Drying Cycles
- 11 Options
- 5 Temperature Settings
- 3-Way Venting

### Convenience

- Child Lock
- Filter Check Indicator



Multi-Steam



Smart Care

### Available Colors:



Black Stainless Steel  
(shown)



White

## Signature Features

### ENERGY STAR® 2015 CERTIFIED

- Meets strict energy-consumption requirements.

### MULTI-STEAM TECHNOLOGY

- Helps remove odors and freshen clothes so you can spend less time ironing and less money at the dry cleaners.

### VENT SENSOR

- Detects duct blockages and reminds you to clean your vent.
- Conveniently allows you to forward these alerts to your smartphone.

### ECO DRY

- Saves up to \$4,500 over the lifetime of the dryer.<sup>1</sup>
- Offers superior drying with up to 25% less energy.<sup>2</sup>

<sup>1</sup> Compared to pre-2004 conventional top load.

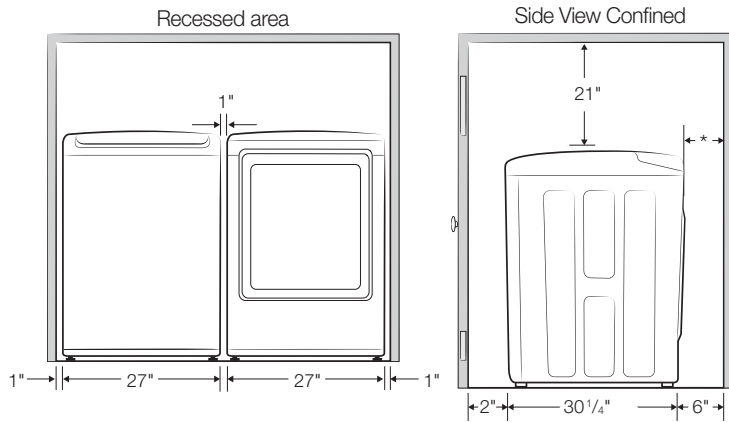
<sup>2</sup> Based on U.S. Department of Energy standard test. Electric dryer only.

**SAMSUNG**

# DV50K8600GV

Samsung Top-Load Gas Dryer

## Installation Specifications

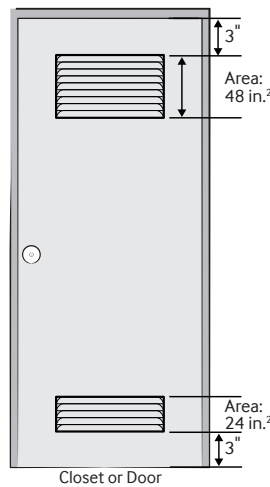


### Minimum clearances for closets and alcoves:

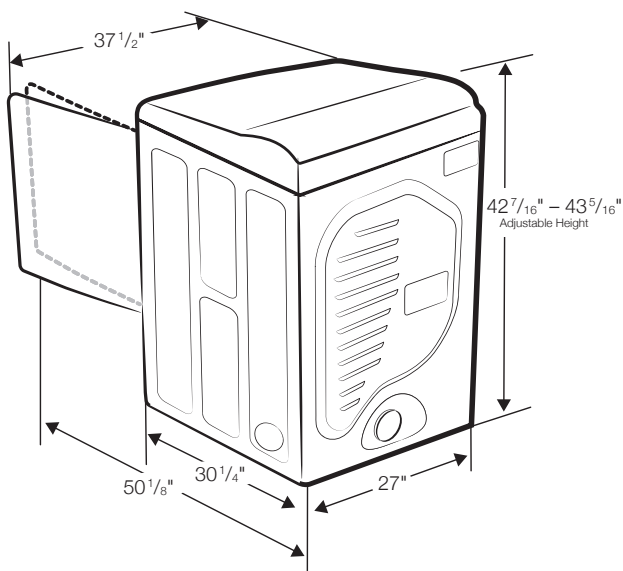
- Sides – 1"
- Top – 21"
- Rear – 6"
- Closet Front – 2"

If the washer and dryer are installed together, the closet front must have at least a 72 in.<sup>2</sup> unobstructed air opening. Your washer alone does not require a specific air opening.

\*External exhaust elbow may require additional space.



## Dimensions



## 7.4 cu. ft. Capacity DOE

### 3-Way Venting

### 12 Preset Dry Cycles:

Steam Refresh, Steam Wrinkle Away, Steam Sanitize, Normal, Heavy Duty, Permanent Press, Bedding, Delicates, Active Wear, Time Dry, Air Fluff, Quick Dry

### 11 Options:

Mixed Load Bell, Wrinkle Prevent, Adjust Time (up), Adjust Time (down), My Cycle, Child Lock, Sound On/Off, Anti-Static, Eco Dry, Smart Care, Drum Light

### 5 Temperature Settings:

High, Medium, Medium Low, Low, Extra Low

### 5 Dry Levels:

Very Dry, More Dry, Normal Dry, Less Dry, Damp Dry

### 2 Signal Level Settings:

On/Off

### Warranty

One (1) Year Parts and Labor

One (1) Year Control Board

### Product Dimensions & Weight (WxHxD)

Dimensions: 27" x 42<sup>7</sup>/<sub>16</sub>" x 30<sup>1</sup>/<sub>4</sub>"

Weight: 125.7 lbs

### Shipping Dimensions & Weight (WxHxD)

Dimensions: 29<sup>9</sup>/<sub>16</sub>" x 45<sup>5</sup>/<sub>8</sub>" x 31<sup>3</sup>/<sub>16</sub>"

Weight: 132.3 lbs

Gas	Model#	UPC Code
Black Stainless	DV50K8600GV	887276145952
White	DV50K8600GW	887276132693
<b>Electric</b>		
Black Stainless	DV50K8600EV	887276145938
White	DV50K8600EW	887276132679
<b>Matching Washer</b>		
Black Stainless	WA50K8600AV	887276145969
White	WA50K8600AW	887276126937
<b>Optional Side Vent Kit</b>		
Sold separately	DV-2A/XAA	887276146416

**SAMSUNG**

Actual color may vary. Design, specifications, and color availability are subject to change without notice. Non-metric weights and measurements are approximate.

©2015 Samsung Electronics America, Inc. 85 Challenger Road, Ridgefield Park, NJ 07660. Tel: 800-SAMSUNG. samsung.com. Samsung is a registered trademark of Samsung Electronics Co. Ltd.