

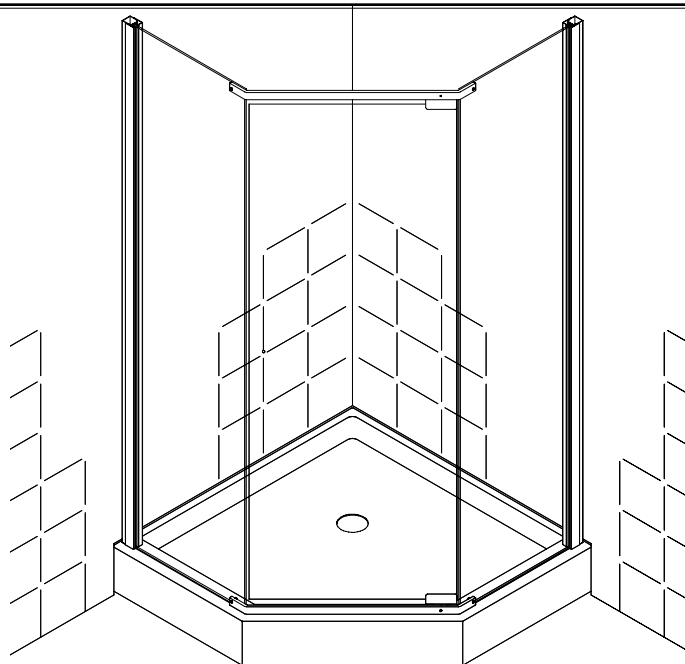
Installation Instructions

Neo-Angle Corner Shower Kit Semi Frameless

Please note, care should be taken when unpacking your Shower Kit.

Place the Glass Panels in an upright, safe location to avoid damage.

DO NOT PLACE THE GLASS PANELS ON A HARD SURFACE.



Care and cleaning:

Use only mild detergents or warm soapy water applied with a soft cloth. Always rinse well after cleaning and dry by blotting with a damp cloth or chamois. The use of a squeegee after each shower is recommended to eliminate water spots on the inside of the Glass Panels. To keep your Shower looking new, **NEVER** use scouring pads, gritty cloths, sharp instruments or harsh or abrasive cleansers on metal work, wall or Glass Panels.

Minor scratches can be removed with hard paste auto body polish or auto polishing compound followed by auto body polish. **DO NOT USE RUBBING COMPOUND.**

Carefully read the Installation Instructions **BEFORE** you start. This allows you to become familiar with the installation sequences and the required tools.

Tools Required - For installation of your Shower Kit, you will need the following tools:

- | | |
|------------------------------------------------------------|--------------------------------------------------|
| A - Safety glasses. | G - Utility knife. |
| B - Measuring tape. | H - Caulking gun. |
| C - Level. | J - Square |
| D - Electric drill | K - Pencil. |
| E - Drill bit, | L - Hammer. |
| 1/8" (for installation on fiberglass enclosures) | M - Center punch. |
| 1/4" masonry (for installation on ceramic tiles or marble) | N - #1 and #2 phillips head screwdrivers. |
| F - Hack saw | |

Materials Required - For installation of your Shower Kit, you will need the following materials:

- A** - Silicone sealant (Premium Mildew Resistant)
- B** - Mineral Spirits (Paint Thinner) - **NO LACQUER THINNER OR ACETONE**
- C** - Soft Clean Cloths

IF YOU NEED REPLACEMENT PARTS OR HAVE INSTALLATION QUESTIONS,
PLEASE CALL OUR CUSTOMER SERVICE REPRESENTATIVES.

WHEN CALLING FROM USA, CALL

800-355-5397

MONDAY - FRIDAY 8:30am - 4:00pm EASTERN TIME.

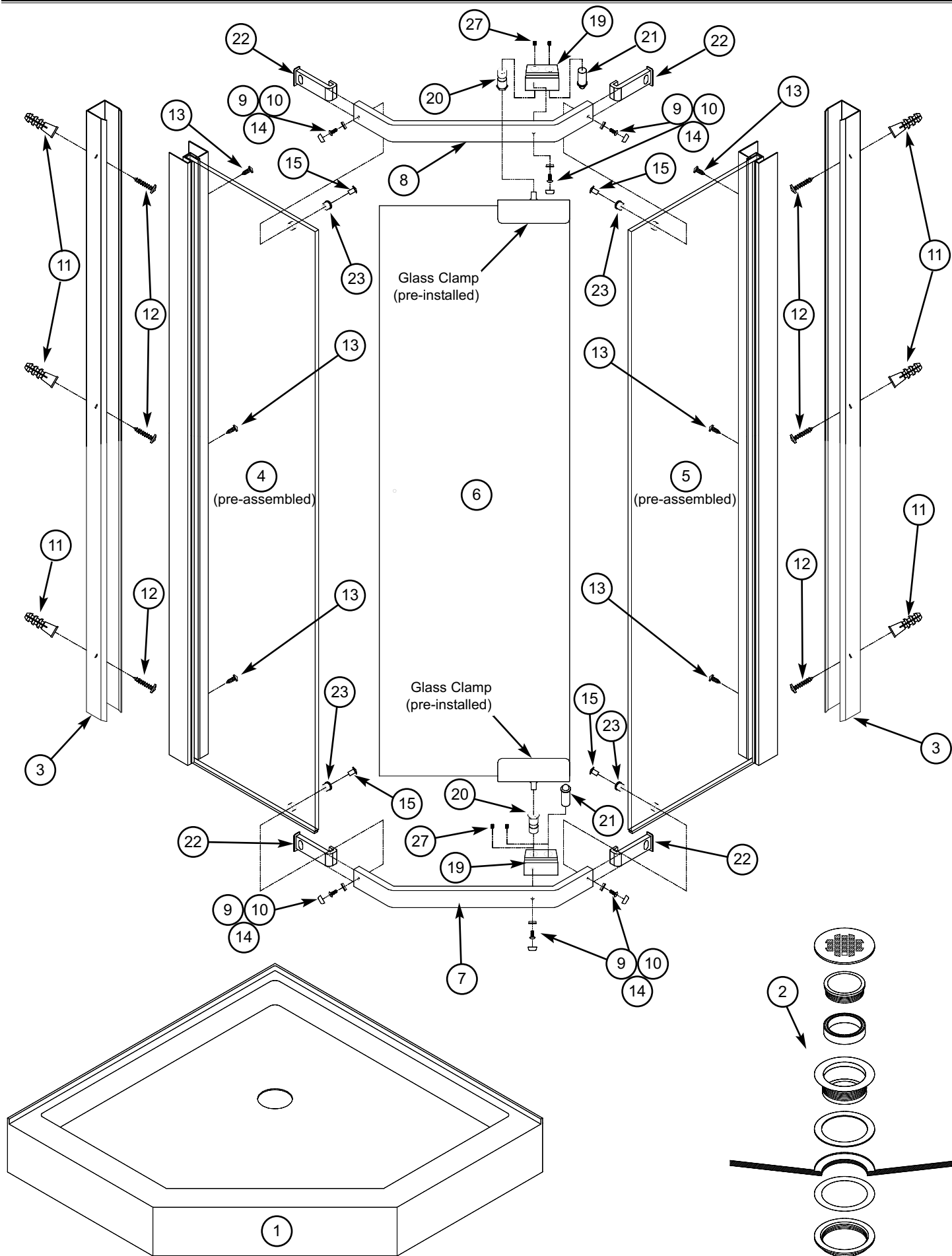
WHEN CALLING FROM CANADA, CALL

888-304-4388

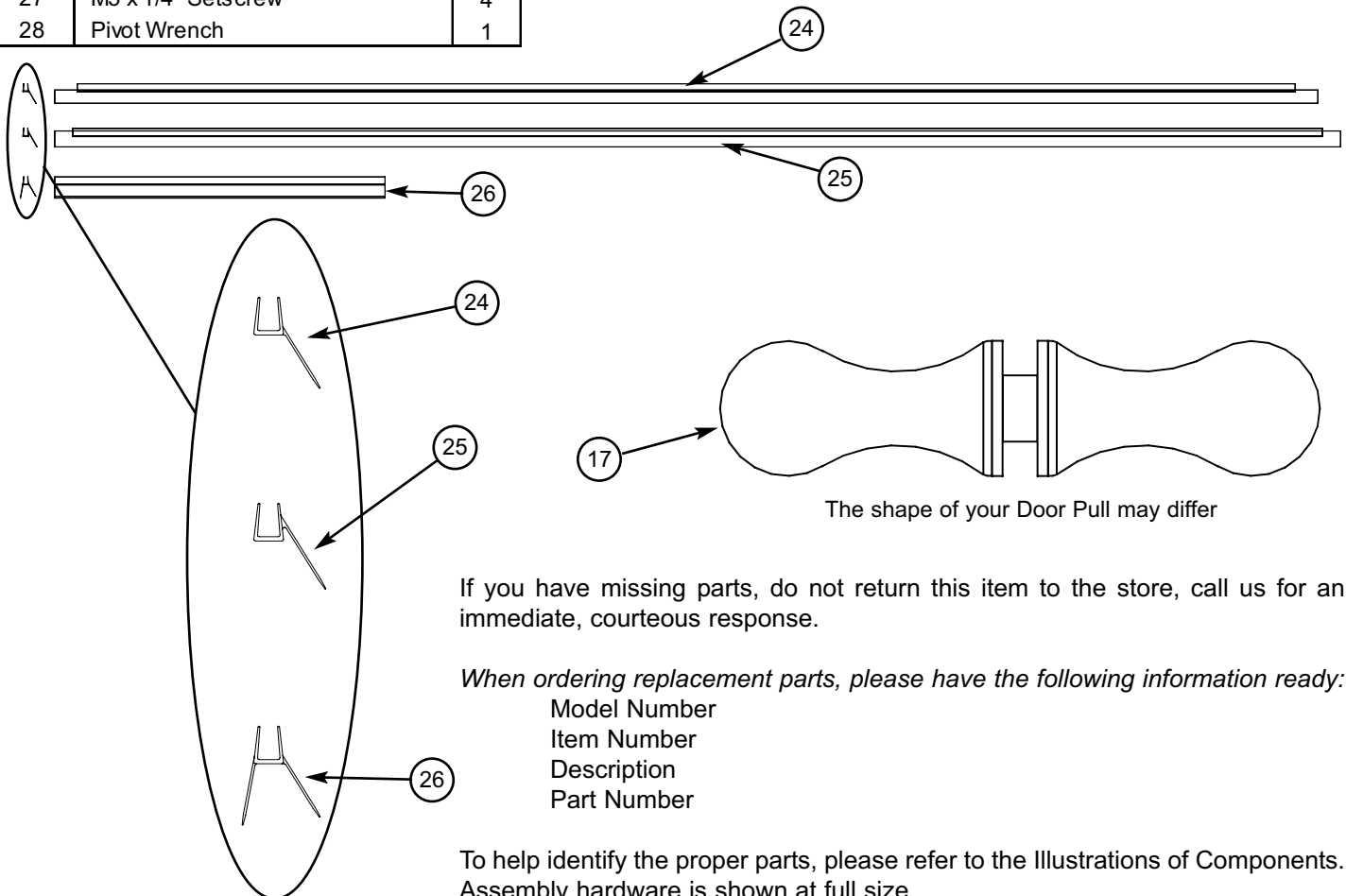
MONDAY - FRIDAY 8:00am - 5:00pm EASTERN TIME.

SAVE THESE INSTALLATION INSTRUCTIONS FOR FUTURE REFERENCE
AND IN THE EVENT YOU NEED TO ORDER A REPLACEMENT PART.

RECORD THE MODEL# _____ GLASS _____ FINISH _____
FROM THE PRODUCT LABEL ON THE PACKAGE



Item #	Part Description	Qty.
1	Base	1
2	Drain Kit	1
3	Wall Channel	2
4	Stationary Panel - Left	1
5	Stationary Panel - Right	1
6	Glass Door Panel	1
7	Header / Sill A	1
8	Header / Sill B	1
9	Snap Cap Washer	6
10	Snap Cap	6
11	Wall Anchor	6
12	#10 x 1 1/4" Long Screw	6
13	#6 x 1/2" Long Screw	6
14	#10-24 x 1/2" Long Screw	6
15	#10-24 Barrel Bolt	4
16	3/32" Drill Bit	1
17	Door Pull	1
18	Allen Wrench	1
19	Pivot Block	2
20	Adjustable Pivot Bushing	2
21	Ball Plunger	2
22	End Cap	4
23	Glass Bushing	4
24	Door Seal (Hinge-Side)	1
25	Door Seal (Handle-Side)	1
26	Bottom Drip Seal	1
27	M5 x 1/4" Setscrew	4
28	Pivot Wrench	1



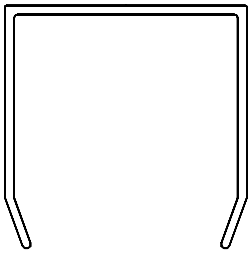
If you have missing parts, do not return this item to the store, call us for an immediate, courteous response.

When ordering replacement parts, please have the following information ready:

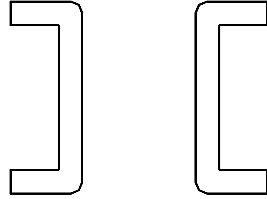
- Model Number
- Item Number
- Description
- Part Number

To help identify the proper parts, please refer to the Illustrations of Components. Assembly hardware is shown at full size.

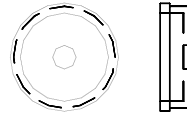
ILLUSTRATIONS OF COMPONENTS



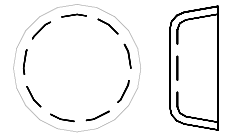
③ Wall Channel



⑦ ⑧ Header / Sill A & B



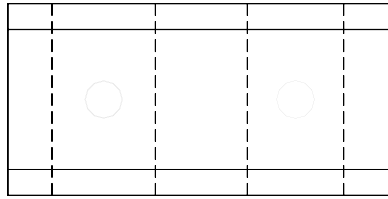
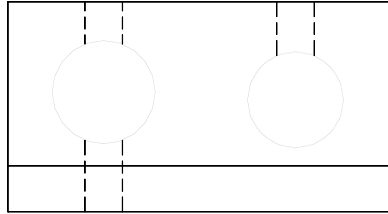
⑨ Snap Cap Washer



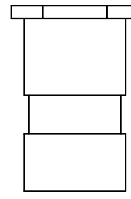
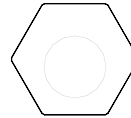
⑩ Snap Cap



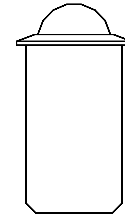
⑱ Allen Wrench



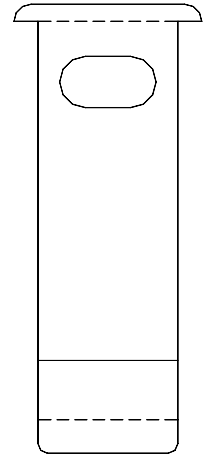
⑲ Pivot Block



⑳ Adjustable
Pivot Bushing



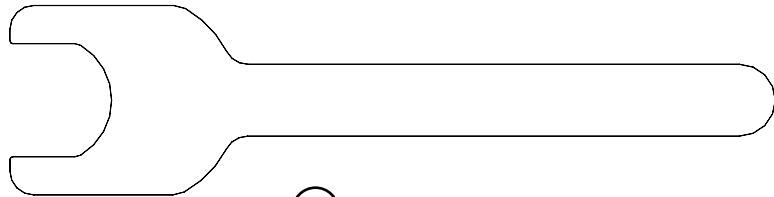
㉑ Ball Plunger



㉒ End Cap

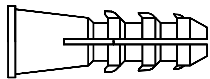


㉓ Glass Bushing

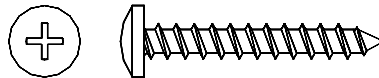


㉔ Pivot Wrench

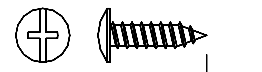
ASSEMBLY HARDWARE



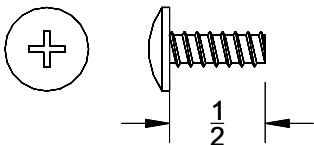
⑪ Wall Anchor



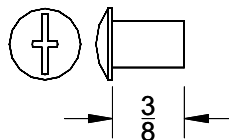
⑫ #10 x 1 1/4" Screw



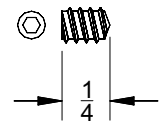
⑬ #6 x 1/2" Screw



⑭ #10-24 x 1/2" Screw



⑮ #10-24 Barrel Bolt



⑰ M5 x 1/4" Setscrew

PREPARATION FOR BASE INSTALLATION

WARNING: SAFETY GLASSES SHOULD BE WORN AT ALL TIMES.

- A - Check local building codes before installing new drain pipe.
- B - The drain pipe should have approximate internal diameter of 2" and the outside diameter, should be 2 3/8" in order for the seal to fit snugly on the pipe and prevent leakage.
NOTE: If the outside diameter of the drain pipe is not 2 3/8", it will be necessary to purchase reducing fittings locally.
- C - The pipe should be plumb (straight up) and held firmly in place. The top of the pipe should be smooth and free of burrs or flare. Refer to instructions included in Drain Kit for pipe height.
- D - The walls adjacent to the shower must be square and vertical.
- E - The floor under the base must be level.
- F - The base must be able to be installed directly against the studs, not a finished wall.

BASE & DRAIN ROUGH-IN

1 FOR EXISTING CONSTRUCTION: In order to provide clearance for the Base to butt directly up against studding, Drywall / Plaster will need to be removed.

Draw *LAYOUT* lines on the walls, as shown in **SKETCH 1A**.

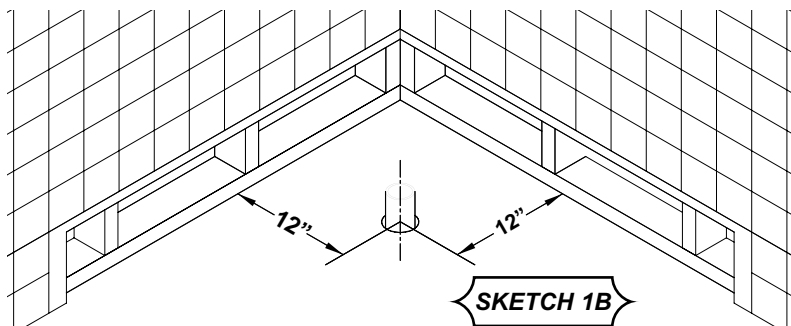
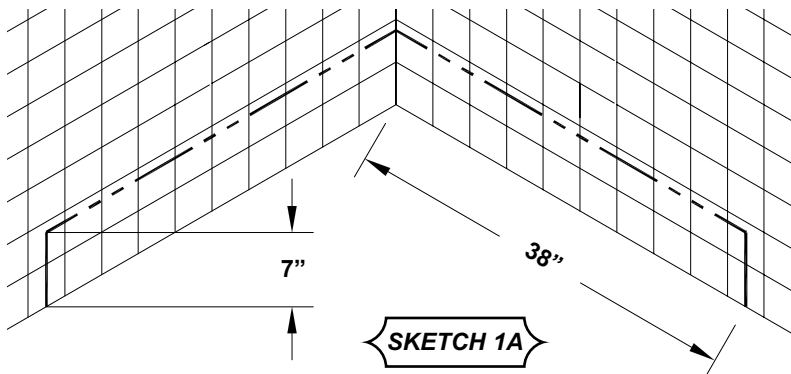
Please note, for tiled walls, it is recommended that the tiles in the Base *LAYOUT* area be removed and saved.

These will be needed after installation to fill gaps to either side of the Base and in front of the lip of Base.

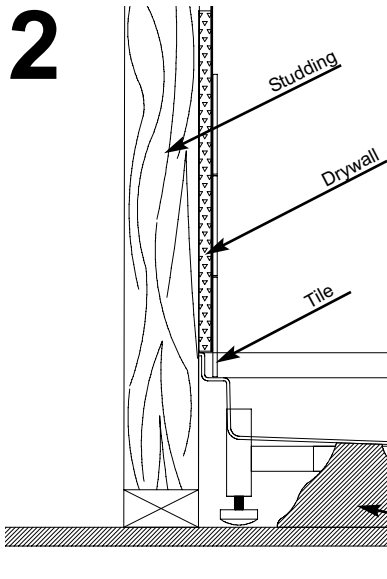
Please note, if a separate Wall Surround unit is also being installed, additional Drywall / Plaster / Tiles may also need to be removed.

The Drain pipe is to be located at 12" centers from each stud wall, as shown in **SKETCH 1B**.

Refer to the instructions included with the Drain Kit for pipe height and Drain installation procedures.



Make sure that the Base is directly against the studs, as shown in **SKETCH 2A**.



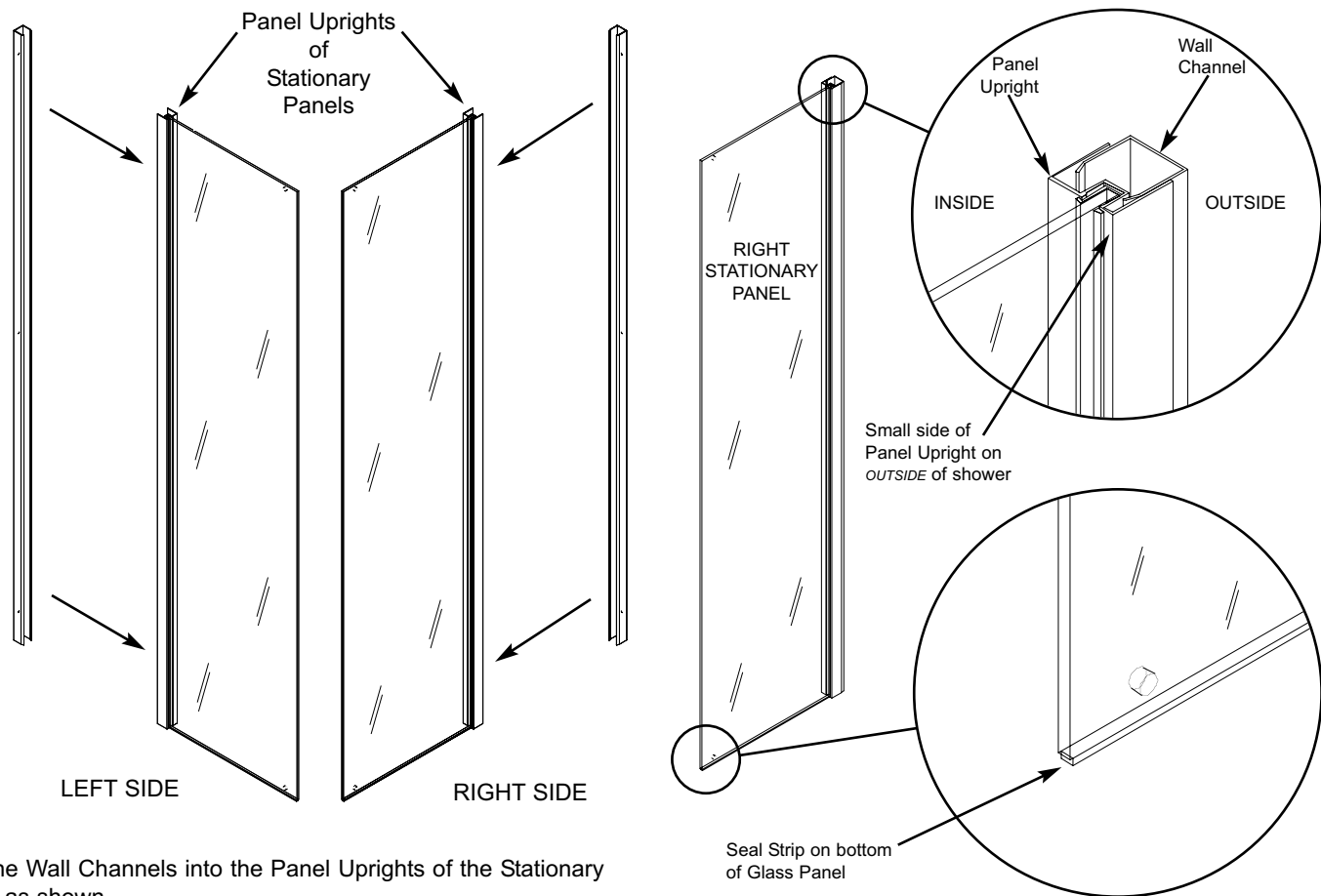
At this time, it is very important to make sure that the Base is level and properly supported. To compensate for any irregularities in your floor, adjust the screw adjusting legs to the correct position underneath the Base making sure the base is level.

For a more stable installation, it is suggested that the Base be nestled in a bed of mortar-type material.

Please note: If you are installing the shower unit over tiled walls, the tiled wall must be finished to the BASE LEDGE, covering the Lip of Base, as shown before continuing installation.

SKETCH 2A

3

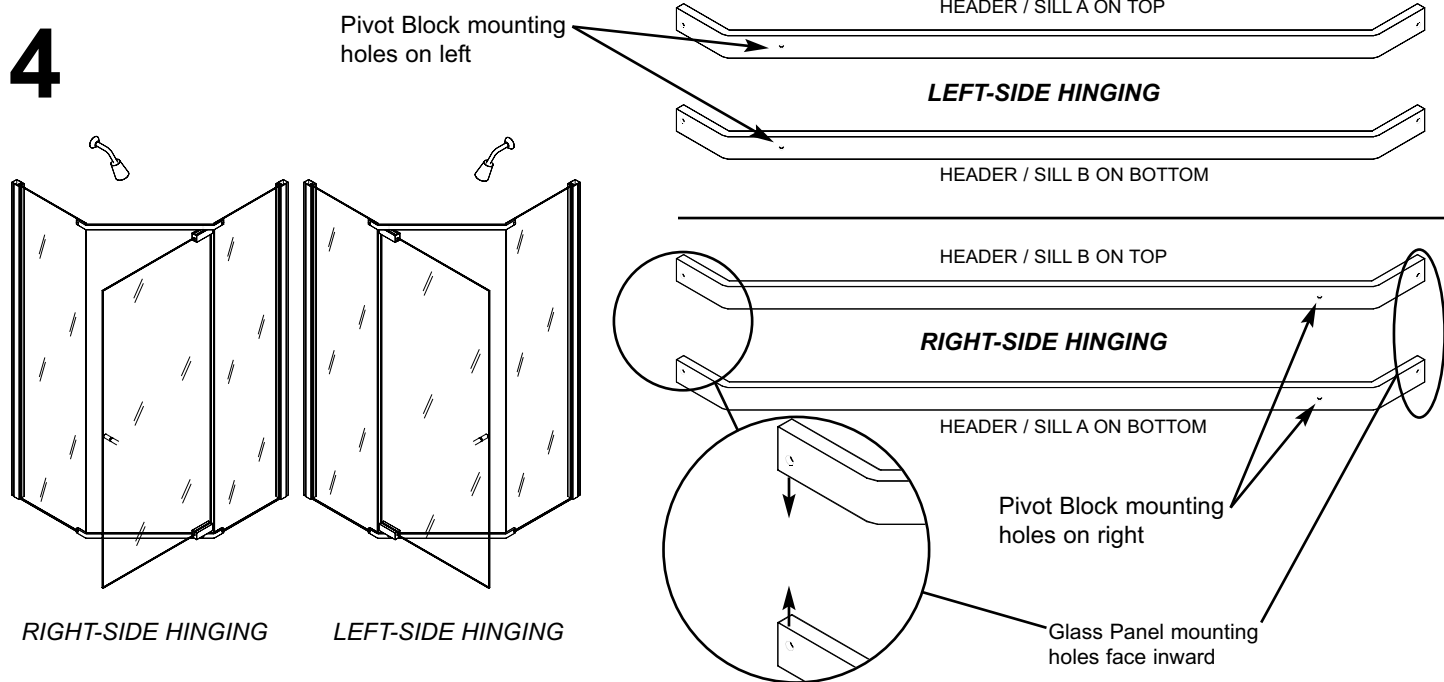


Insert the Wall Channels into the Panel Uprights of the Stationary Panels, as shown.

When orienting the Stationary Panels, take note that the small sides of the Panel Uprights are to be on the outside of the shower.

Also note that there is a protective seal strip pre-installed onto the bottoms of the Glass Panels.

4

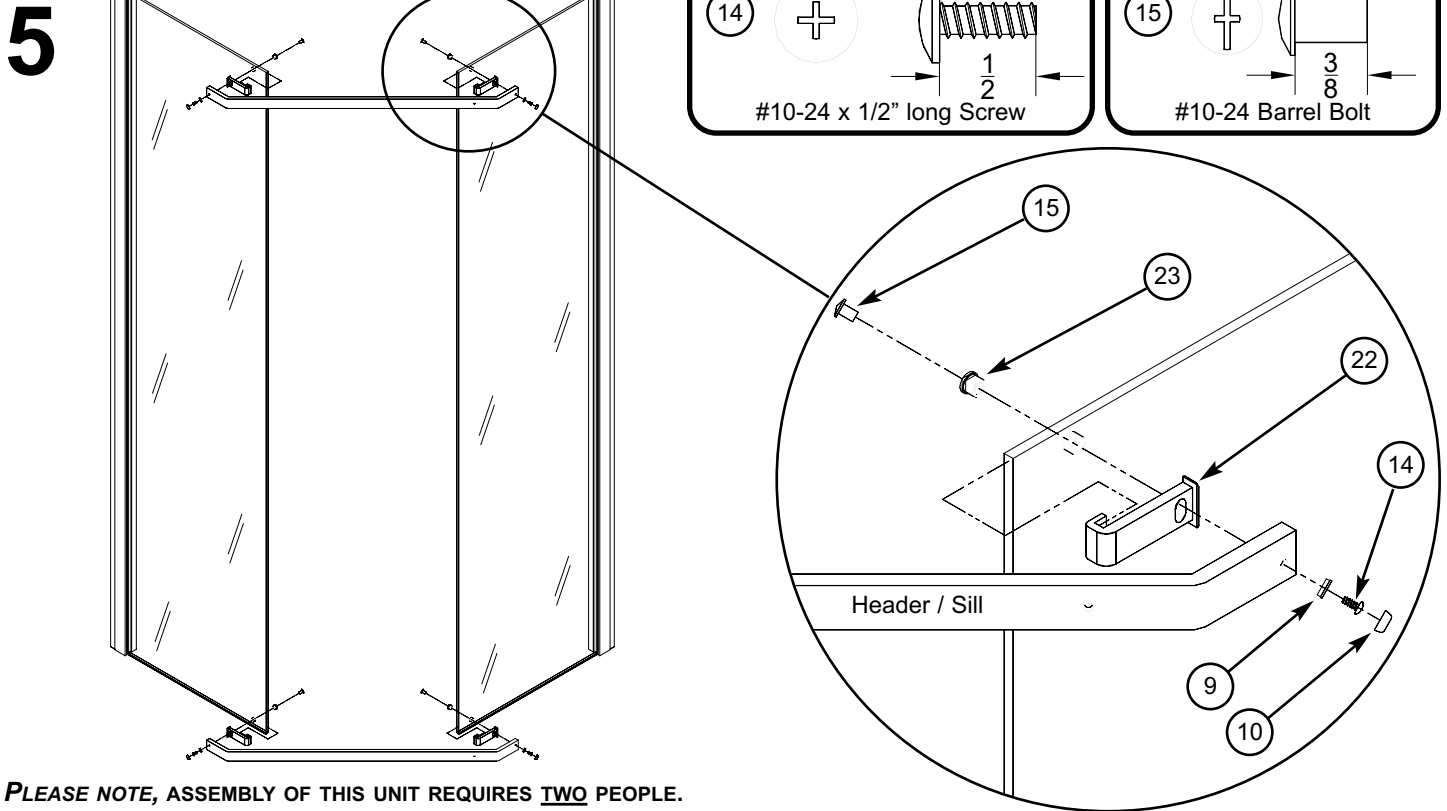


First decide whether you want the door to open on the left (*right-side hinging*) or open on the right (*left-side hinging*). Please note, the Door opens out so there must be enough room for it to swing freely without impediments. Also, it is generally preferred that the Hinge-Side of the Door should be opposite the Shower Head when possible.

Depending on which side the Door should open, orient the Header / Sills as shown above.

Please note: Make sure that the Glass Panel mounting holes are always facing *INWARD* (towards the top of **bottom** Header / Sill, and towards the bottom of **top** Header / Sill), as shown above.

PLEASE NOTE: THROUGHOUT THE INSTRUCTIONS, *RIGHT-SIDE* HINGING WILL BE SHOWN.



PLEASE NOTE, ASSEMBLY OF THIS UNIT REQUIRES TWO PEOPLE.

Orient the Header / Sills in the proper configuration for your Door opening preference from the previous step and assemble the unit on a flat surface (not on the Base).

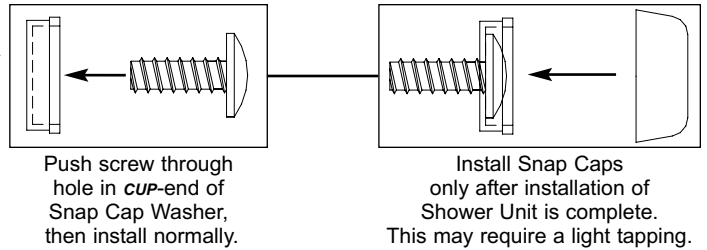
While one person holds the Stationary Panels in place, the other should attach the Header / Sills (A & B) using the Glass Bushings, End Caps, #10-24 Barrel Bolts, #10-24 x 1/2" long Screws, Snap Cap Washers and Snap Caps as shown.

Make sure to slide End Caps onto Glass Panel before securing with Screw & Barrel Bolt.

Snap Caps & Washers are included to cover screw heads.

Install according to the SNAP CAP INSTALLATION INSTRUCTIONS.

SNAP CAP INSTALLATION INSTRUCTIONS



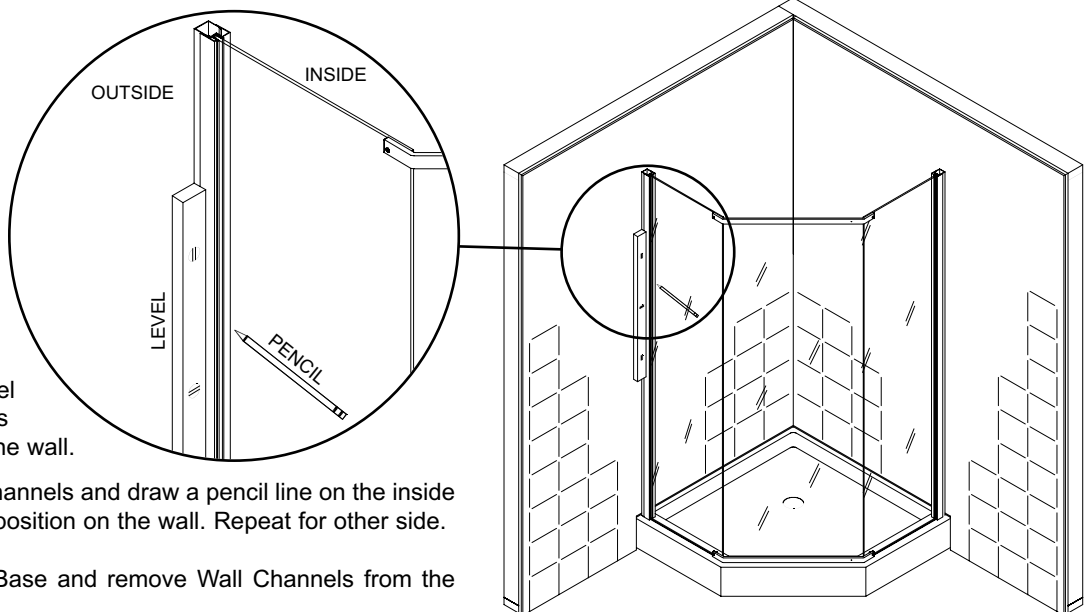
6 Making sure that both installers have a firm grip on the Stationary Panels, lift the unit and set it down on the Base.

Center the unit Left to Right, making sure that the bottoms of the Glass Panels and Sill are sitting roughly along the center-line of the Base ledge.

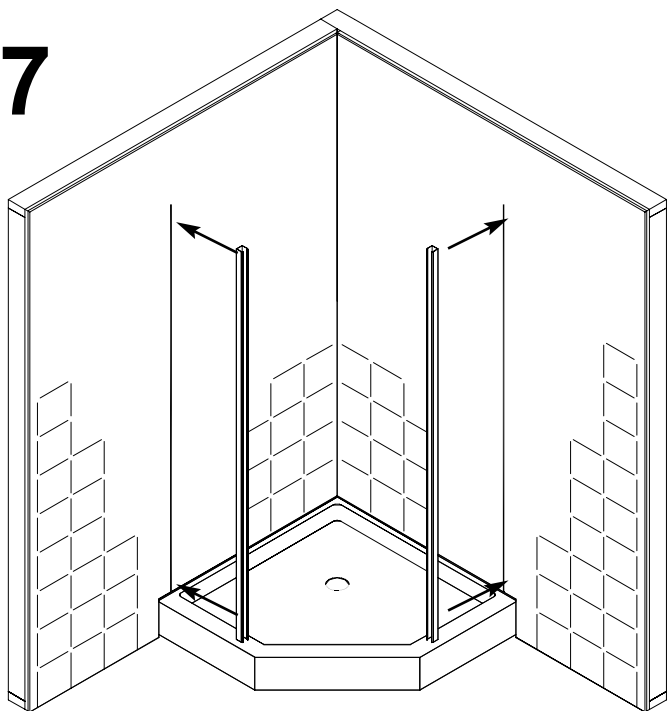
The Wall Channels which were previously installed into the Panel Uprights of the Stationary Panels should be extended to contact the wall.

Use a level to plumb the Wall Channels and draw a pencil line on the inside of the Wall Channel to mark its position on the wall. Repeat for other side.

Remove shower unit from the Base and remove Wall Channels from the Panel Uprights.

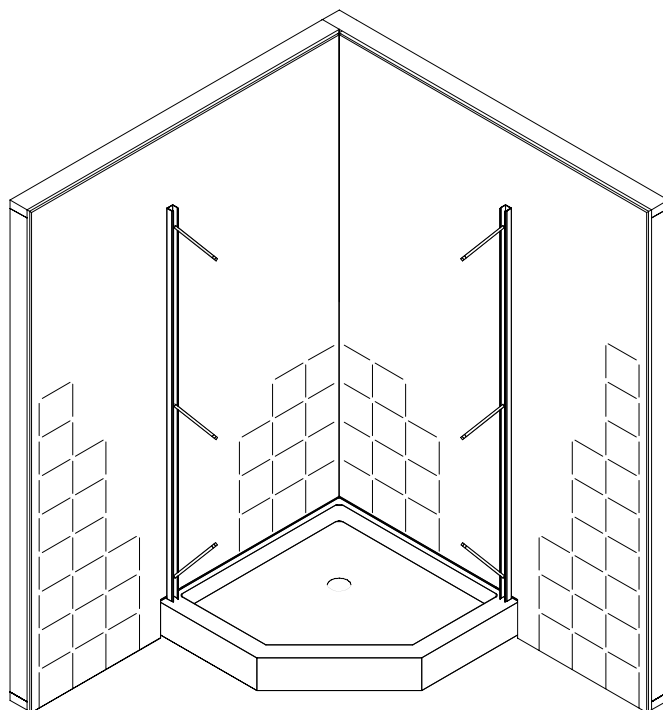


7



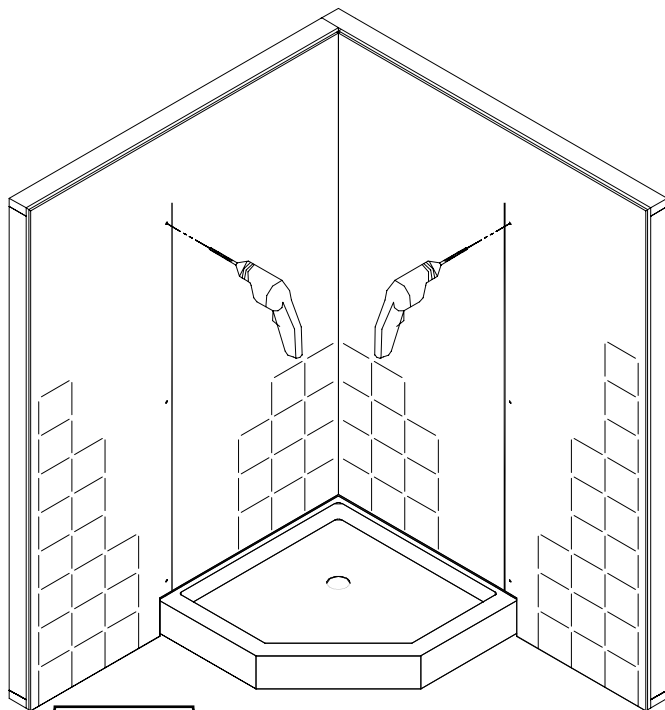
SKETCH 7A

Place Wall Channels back on wall so that the inside edges line up with the pencil line, as shown in **SKETCH 7A**.



SKETCH 7B

Using a pencil, mark all of the mounting hole locations, as shown in **SKETCH 7B**.

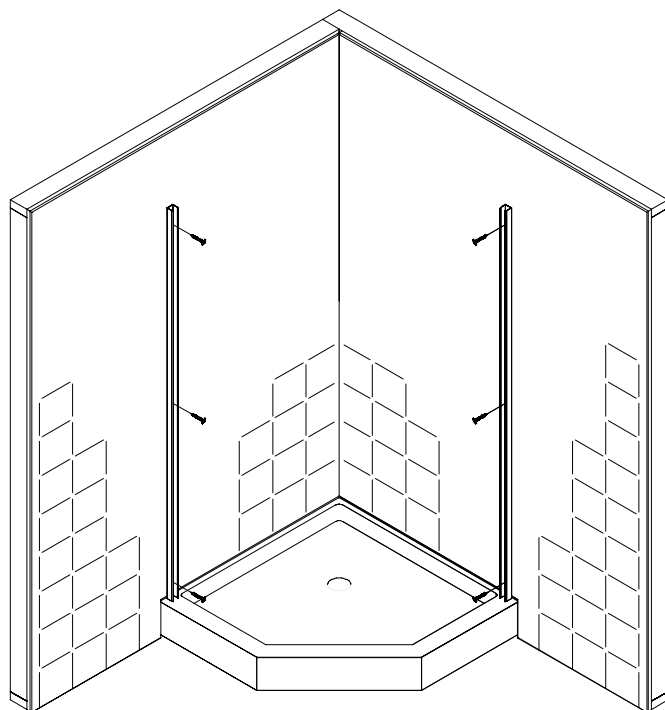


SKETCH 7C

Remove Wall Channels and drill holes at each mounting hole location, as shown in **SKETCH 7C**.

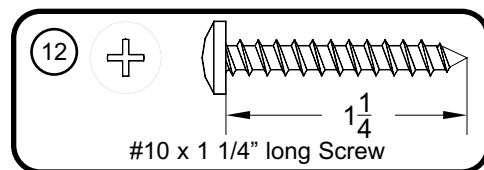
When mounting to ceramic tile, use a 1/4" masonry drill bit. Nick the ceramic tile surface at the mounting hole locations with a center punch. After drilling, insert Wall Anchors.

When mounting to a fiberglass enclosure, use a 1/8" drill bit. Wall Anchors are not required.

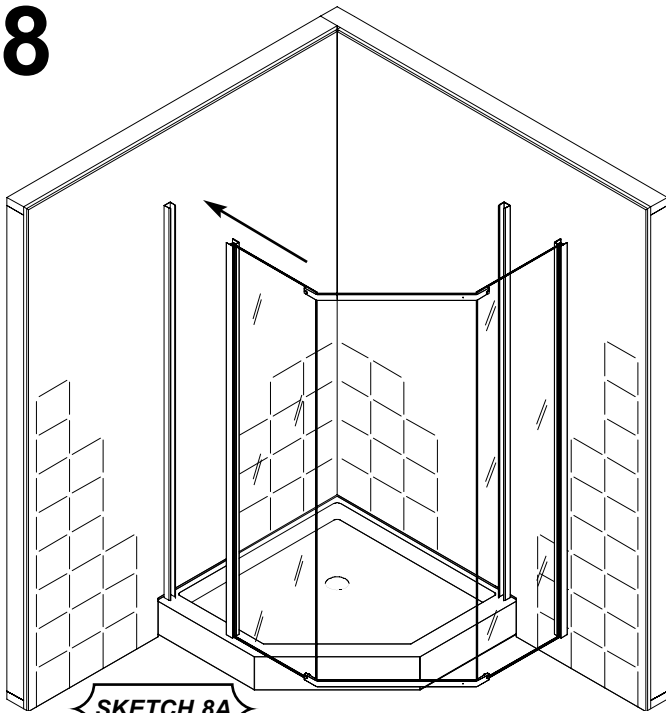


SKETCH 7D

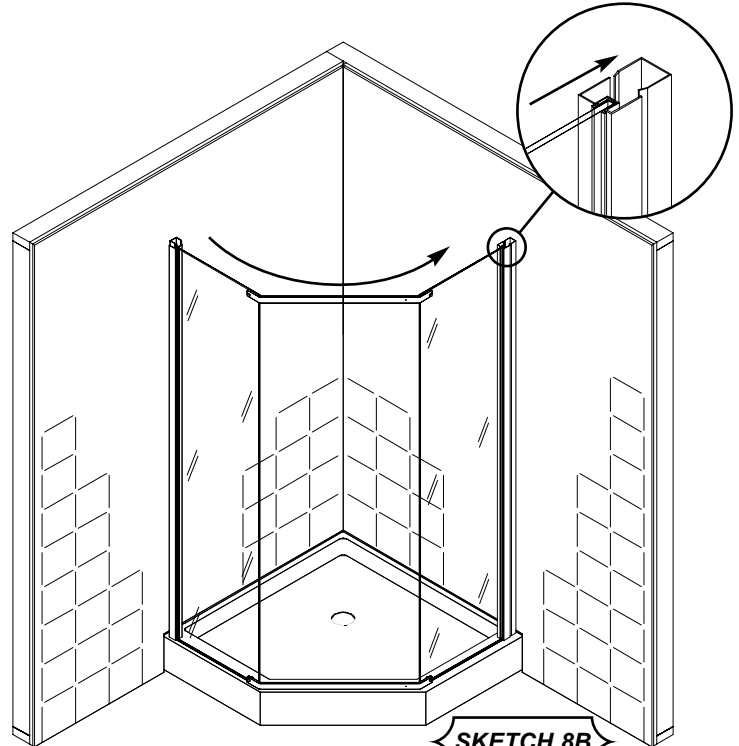
Replace Wall Channels and secure to walls with #10 x 1 1/4" long Screws, as shown in **SKETCH 7D**.



8



SKETCH 8A



SKETCH 8B

Make sure both installers have a firm grip on the Stationary Panels. Lift and maneuver the unit so that one Panel Upright engages the Wall Channel, as shown in **SKETCH 8A**.

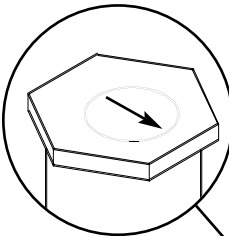
Then rotate it until the other Panel Upright engages the opposite Wall Channel, as shown in **SKETCH 8B**. Center the shower on the base.

9

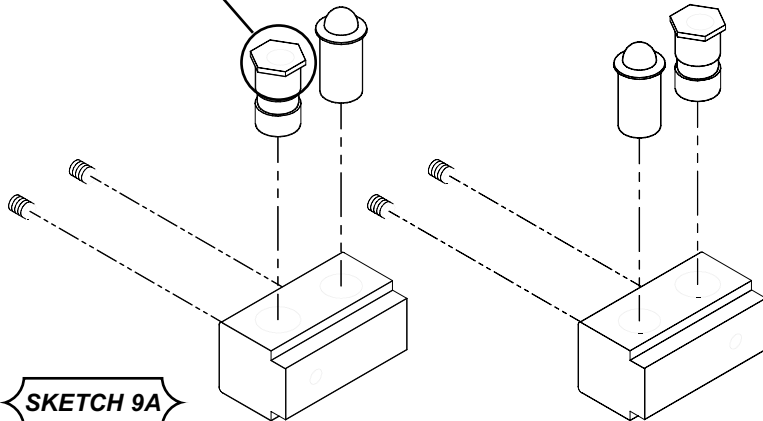
27



M5 x 1/4" long Setscrew



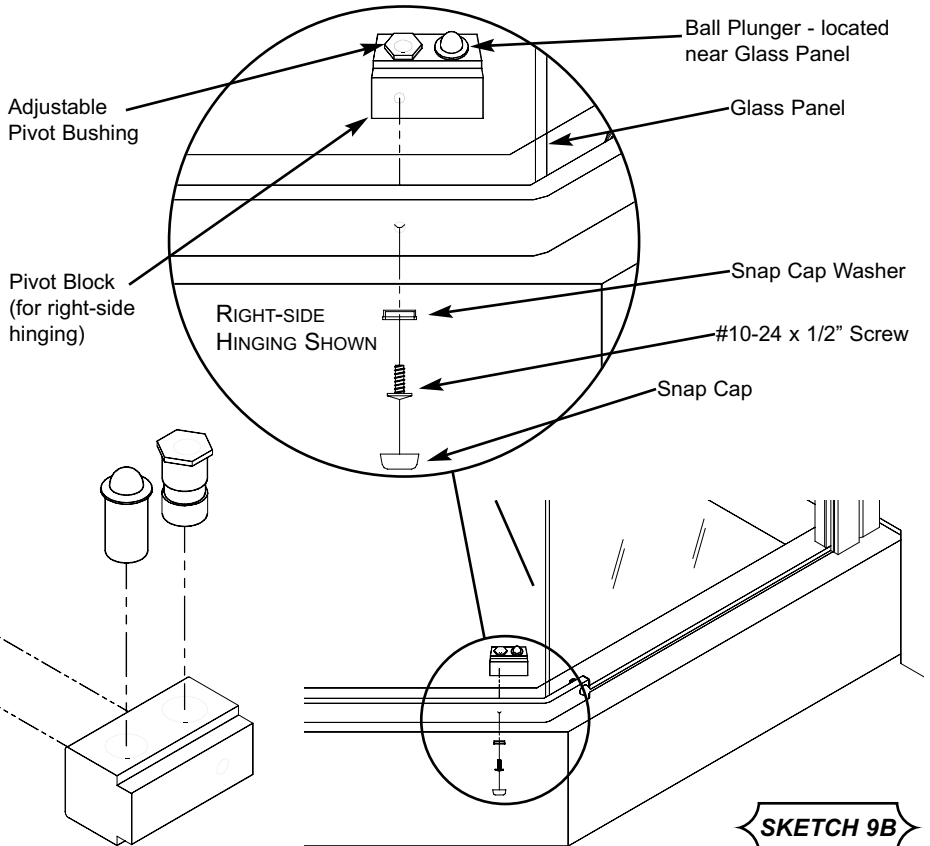
Note: When installing Adjustable Pivot Bushings, turn so that off-center hole is towards the front, as shown. Then tighten Setscrew.



SKETCH 9A

Install the Ball Plungers and Adjustable Pivot Bushings into both of the Pivot Blocks, as shown in **SKETCH 9A**. Secure with M5 x 1/4" Set Screws, using Allen Wrench provided.

Please note: These parts may be factory installed.



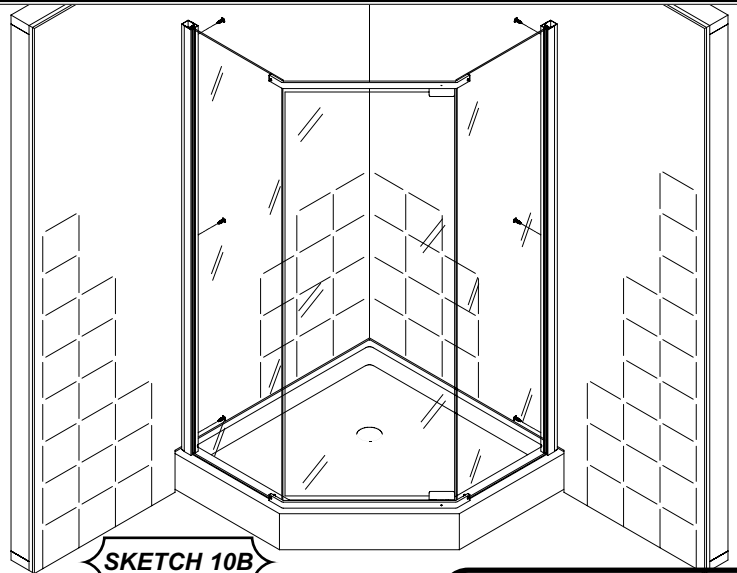
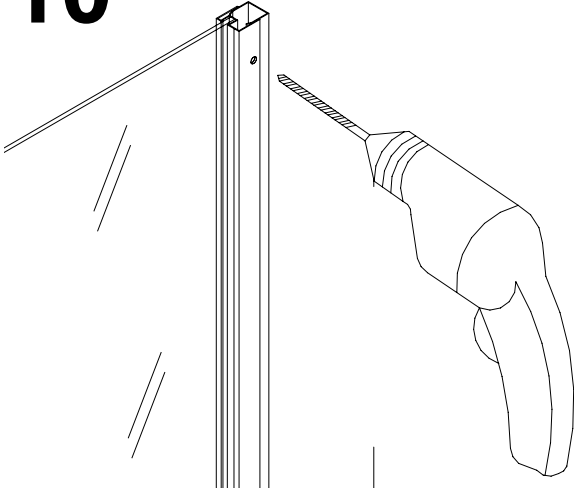
SKETCH 9B

Install the proper Pivot Block into bottom Header / Sill using a #10-24 x 1/2" Screw, Snap Cap Washer & Snap Cap, as shown in **SKETCH 9B**.

Please note, for identification purposes, the proper Pivot Block will have the Ball Plunger located near the Glass Panel, as shown.

10

SKETCH 10A



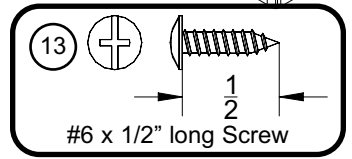
SKETCH 10B

Make sure that the shower unit is sitting flat and even on the Base.

With the 3/32" Drill Bit provided, drill holes through each of the six holes in the Panel

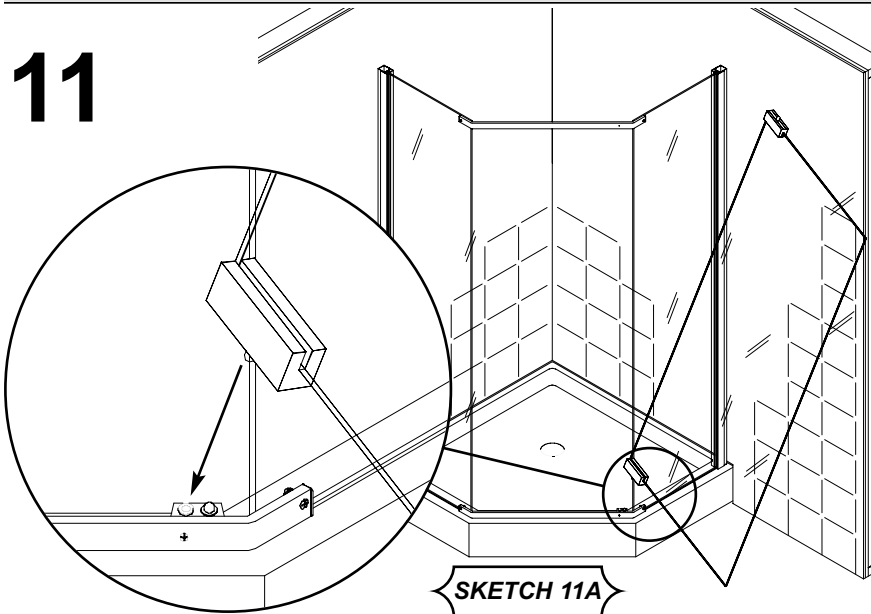
Uprights and into the wall Channels, as shown in **SKETCH 10A**.

Secure the shower to the Wall Channels with #6 x 1/2" long Screws, as shown in **SKETCH 10B**.

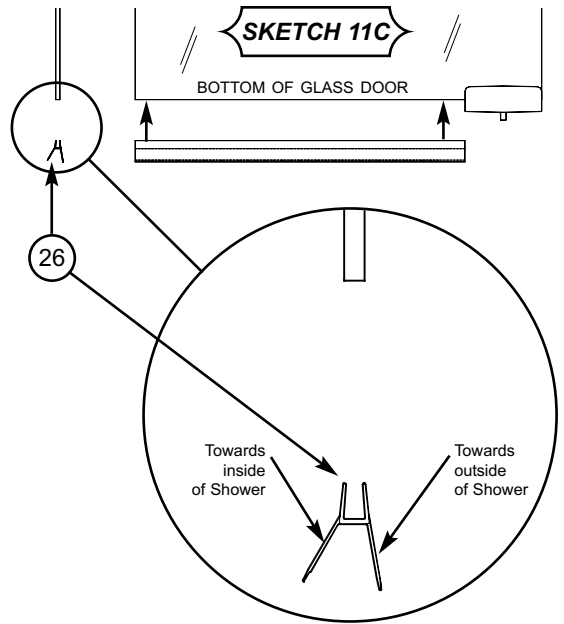


GLASS DOOR INSTALLATION

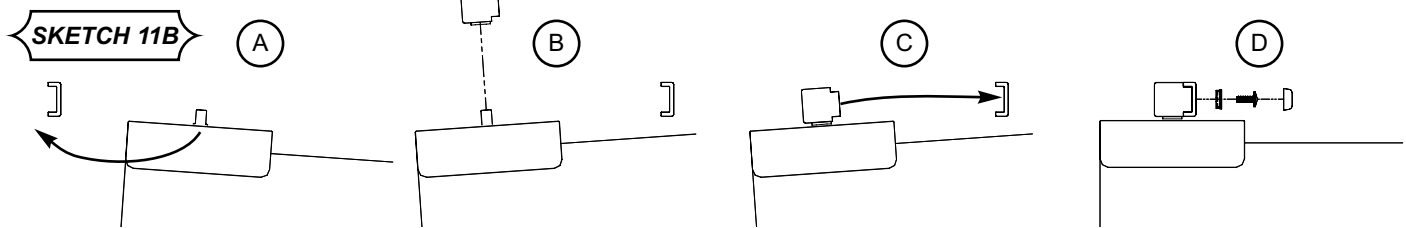
11



SKETCH 11A



SKETCH 11C



SKETCH 11B

Lift the Glass Door Panel, tilt it back and maneuver it so that the pivot pin, located at the bottom of the pre-installed Glass Clamp, can be inserted into the Adjustable Pivot Bushing, as shown in **SKETCH 11A**. A second installer can direct the Glass Door Panel.

Finish installing Door Panel as shown in **SKETCH 11B**.

A - Tilt the Glass Door Panel to the side and swing the Glass Clamp under and behind the Header / Sill.

B - With the Glass Clamp inside the shower, install the Pivot Block on to the pivot pin.

C - Tilt the Glass Door Panel forward so that the Pivot Block engages the back of the Header / Sill.

D - Secure Pivot Block to Header / Sill using a #10-24 x 1/2" Screw, Snap Cap Washer & Snap Cap.

Install Bottom Drip Seal, as shown in **SKETCH 11C**.

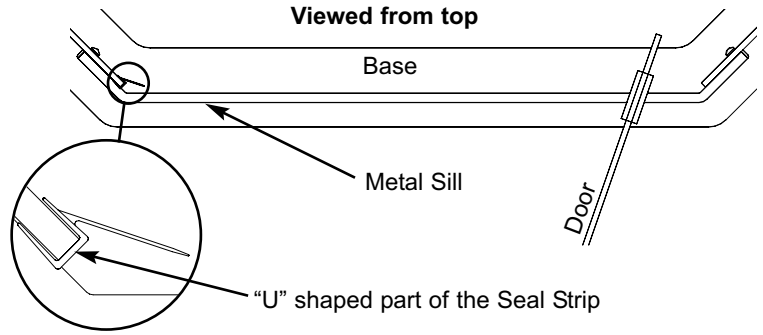
12

Install Handle-Side Seal Strip on to Side Panel Glass, (opposite from Hinge) as shown.

Please note: It does not get installed on to the Door

There is a *FLAP* at both ends of the Seal Strip. This *FLAP* is necessary at the bottom for water-proofing.

When installing Seal Strip, the outside of the "U" shaped part will rest on the metal Sill. Cut off excess at top.



DOOR ADJUSTMENT

13

Adjust the Door IN and OUT.

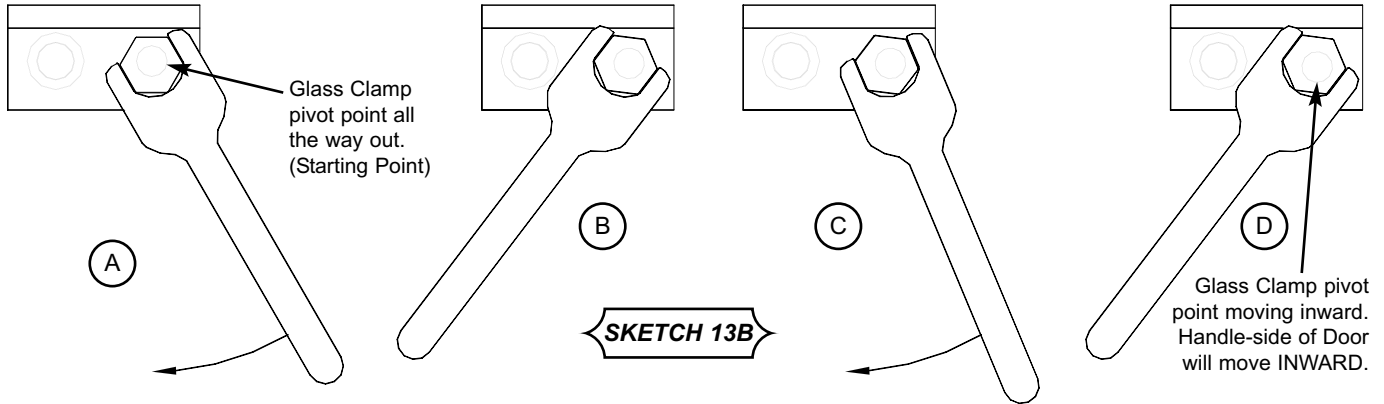
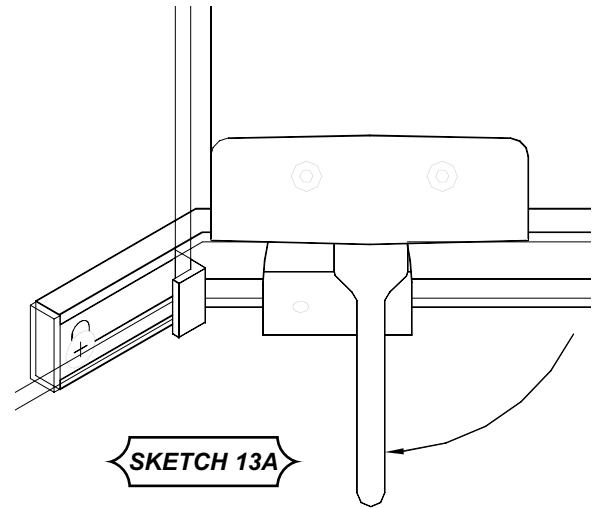
Due to manufacturing tolerances, the Door may not sit evenly on the Handle-Side Seal Strip.

Close the Door and check the top and bottom of the Glass Panel to see if it needs to be adjusted IN or OUT. If an adjustment is necessary, it can be made by turning the Adjustable Pivot Bushing with the Pivot Wrench.

Please note: Adjustments should always be made from inside the Shower to avoid scratching the Header / Sill.

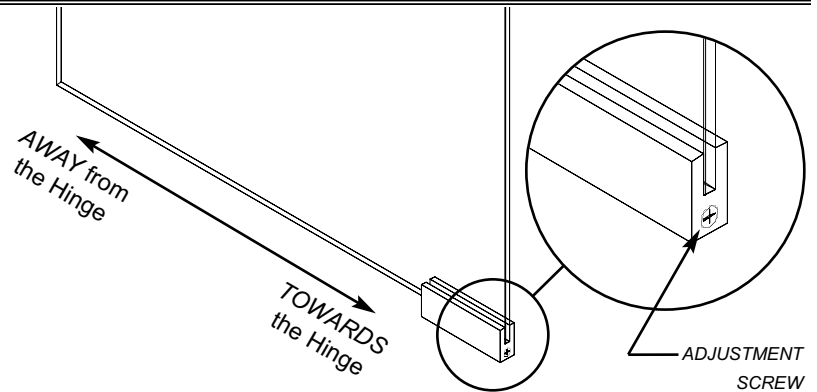
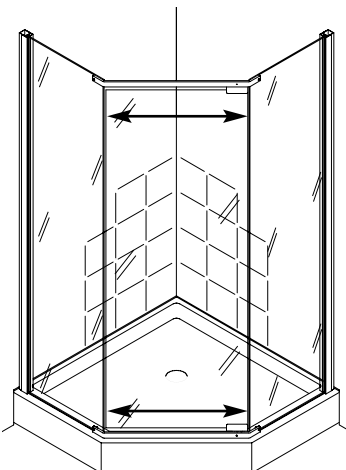
Loosen the Setscrew holding the Adjustable Pivot Bushing in place. Slide the Pivot Wrench between the Glass Panel Clamp and the Pivot Block to engage the Hexagonal top of the Adjustable Pivot Bushing, as shown in **SKETCH 13A**.

Turning the Adjustable Pivot Bushing, as shown in **SKETCH 13B** will move the Handle-side of the Door IN and OUT by changing the pivot point of the Glass Clamp. When properly adjusted, re-tighten the Setscrew.



14

Center the Door in the opening.



Adjust the Glass Door Panel so that it is centered between the two Stationary Panels. This is done by turning the *ADJUSTMENT SCREW* located on the Glass Clamps with a Phillips screwdriver.

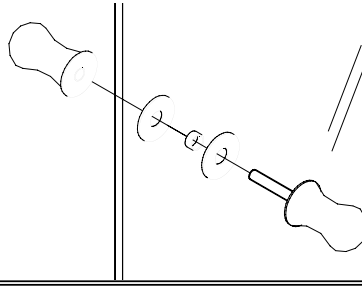
Turn **CLOCKWISE** to move the Door **AWAY** from the Hinge.

Turn **COUNTER-CLOCKWISE** to move the Door **TOWARDS** the Hinge.

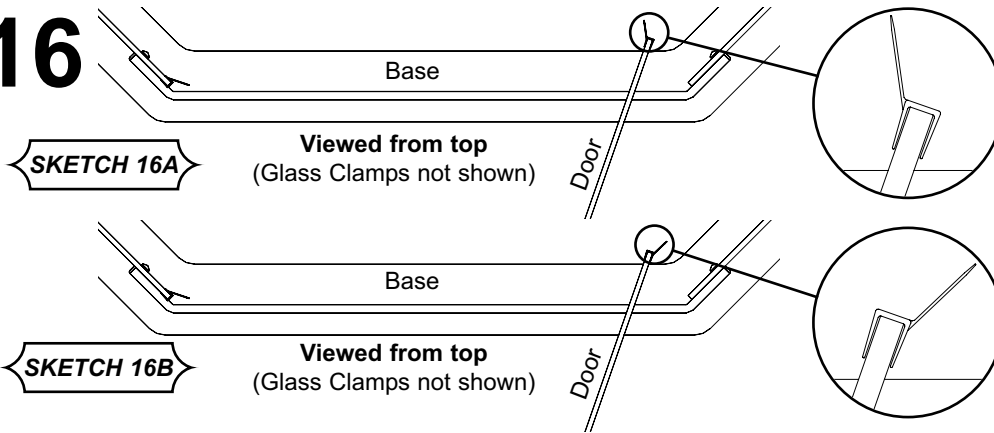
15

Install Door Pull as shown.

Please Note: The shape of your Door Pull may differ

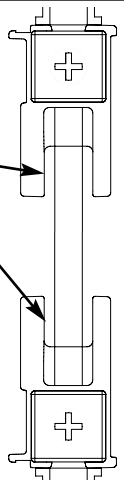


16



NOTE: The Glass Clamps have recessed areas that allow room for the "U" shaped part of the Hinge-side Door Seal.

The Seal Strip should cover the entire length of the glass.



Install Hinge-Side Door Seal to the Hinge-side edge of the Glass Door Panel.

The "U" shaped part of the Door Seal should be the same length as the height of the Glass Door Panel. If it is too long, it must be cut to size. Make sure when cutting the Seal Strip that only the "U" shaped part is cut and that a *FLAP* is left at both ends.

Please note: There is a *FLAP* at both ends of the Seal Strip. The *FLAP* is necessary at the bottom of the Strip for water-proofing.

Cut excess from top of Seal Strip only after installation is complete.

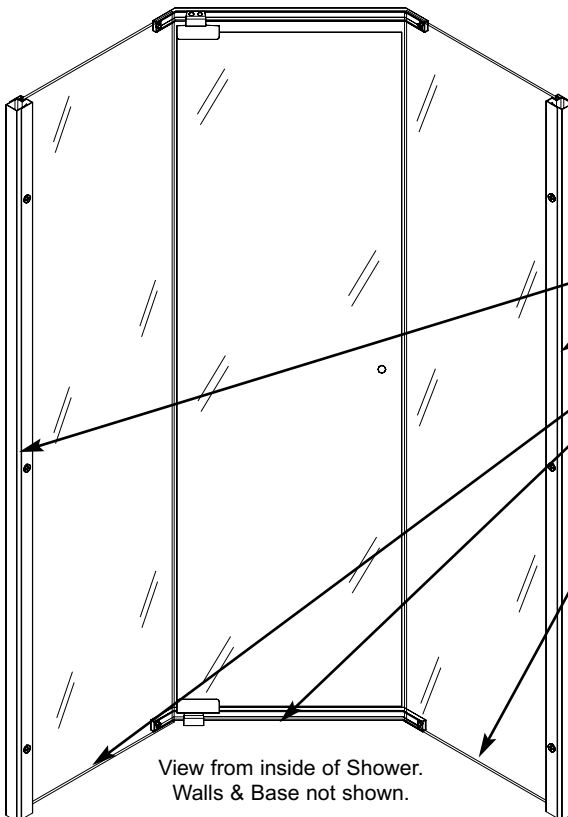
There are TWO options when installing the Hinge-Side Door Seal.

- 1) Install Hinge-Side Door Seal, as shown in **SKETCH 16A**.
- 2) Install Hinge-Side Door Seal, as shown in **SKETCH 16B**.

Try Option 1 first, then close the Door to see if the Seal Strip makes good contact with the Side Glass Panel.

Depending on how the Door was adjusted, you may need to use Option 2 may installation to get more sealing pressure.

17



View from inside of Shower.
Walls & Base not shown.

Remove Hinge-side and Handle-side Seal Strips before sealing unit.

Apply silicone sealant to these locations on the inside of the shower/unit:

- Along seams between shower & walls
- Along seams between shower & Base
- Tops of Screwheads
- Along seams between Wall Channels and Panel Uprights

In order to properly waterproof the shower unit, apply a high grade of silicone sealant as shown. Allow silicone to dry 24 hours. Replace Hinge-side and Handle-side Seal Strips before using shower.