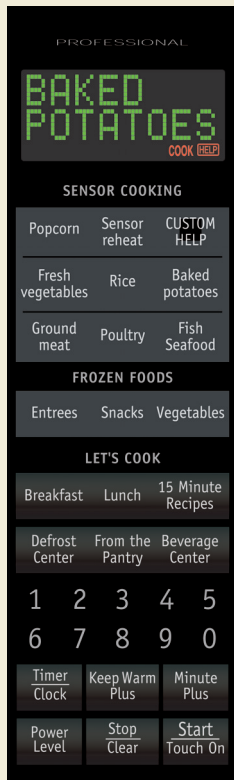




Carousel®

R-530EST



This well-designed full size microwave combines a stunning appearance with smart time-saving features that eliminate cooking and programming guesswork. The new glass window adds to the look and feel of quality.

Available in Stainless Steel: R-530EST

Features:

Let's Cook allows you to prepare 5 breakfast foods, 5 lunch items, 5 15-Minute Recipes and 5 "From the Pantry" recipes using ingredients commonly found in the kitchen. It's designed to promote quick and easy microwave cooking – as well as reheating and defrosting.

Defrost Center includes Super Defrost for rapid, even thawing of chicken and ground beef and CompuDefrost™ that quickly defrosts meats, poultry, soups and casseroles. The Beverage Center makes sure coffee and tea are made to order.

Glass Window provides a deluxe, higher quality image to complement any kitchen decor.

Keep Warm Plus keeps hot food hot up to 30 minutes after cooking is finished with no loss of food quality.

Smart & Easy® Sensor Settings adjust the right time and power levels automatically for 13 different microwave favorites including popcorn, fresh vegetables, rice, baked potatoes, ground meat, poultry, fish and seafood.

Frozen Food Sensor Settings make it easy to prepare frozen entrees, snacks and vegetables.

1200 Watts deliver the fastest cooking yet.

Interactive Cooking System with Custom Help® offers an easy way to find out exactly what to do – whether cooking, defrosting or setting the oven. A 2-line, 16 Digit, 2-Color Display provides easy-to-read, quick communication with language options in English, Spanish or French.

Specifications

Model Number	R-530EST
Capacity (in cubic feet)	2.0
Output Wattage	1200 Watts
Color	Stainless Steel
Outside Dimensions (w x h x d) (in inches)	24 x 13-3/8 x 19-1/8
Automatic Settings	33
Turntable Diameter (in inches)	16
Defrost Options	Defrost Center – 8 options, including Super Defrost
Display Type	7 Digit, 2 Color, Lighted Display
Interior Dimensions (w x h x d) (in inches)	17-3/8 x 10-1/2 x 18-5/8
Oven Interior	Painted acrylic with light
Net Weight (in pounds)	41
Shipping Weight (in pounds)	46
AC Line Voltage	120V, Single Phase, 60 Hz, AC Only
AC Power Required	1.65 kW, 13.8 Amps
Safety Compliance	FCC, DHHS, UL Listed
Optional Built-in Kit (available at extra cost)*	
27"	RK-51S27 (Stainless) 27"
30"	RK-51S30 (Stainless) 30"
UPC	074000639652

*This model can be built into a cabinet or wall by itself or above any electric wall oven or warming drawer using the appropriate Sharp Built-in Kit listed above. Sharp, Carousel, Smart & Easy and Custom Help are registered trademarks of Sharp Corporation. All other trademarks are property of their respective owners.

Product specifications and design are subject to change without notice.

Dimension Express: To receive the most current specifications, visit www.dexpress.com/sharp or call Dimension Express at 925-284-3558 from a fax machine. Enter code 9026 for instructions and a directory of Sharp appliance products.

Optional Trim Kit Spec

The opening in the wall or cabinet must be within the following dimensions:

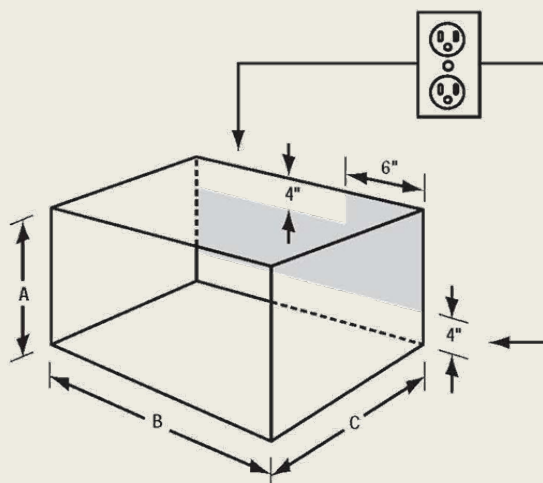
RK-42S24: **HEIGHT :** 15 ¹¹/₁₆" to 16"
 WIDTH : 22 ¹/₁₆" to 22 ³/₈"
 DEPTH : minimum 19 ¹/₄"

*RK-51S27, **HEIGHT :** 16 ³/₄" to 17"
*RK-51K30, **WIDTH :** 24 ³/₈" to 24 ¹¹/₁₆"
*RK-51S30 & **DEPTH :** minimum 20"
*RK-51W30

Outlet should NOT be in the shaded area as indicated on Sketch 1.

NOTE 1: If the dimension of DEPTH (C) is more than 21", the outlet location may be any area on the rear wall.

NOTE 2: The floor of the opening should be constructed of plywood strong enough to support the weight of the oven and floor load (about 100 pounds). The floor should be level for proper operation of the oven. Be sure to check the local building code as it may require that the opening be enclosed with sides, ceiling and rear partition. The proper functioning of the oven does not require the enclosure.



Sketch 1