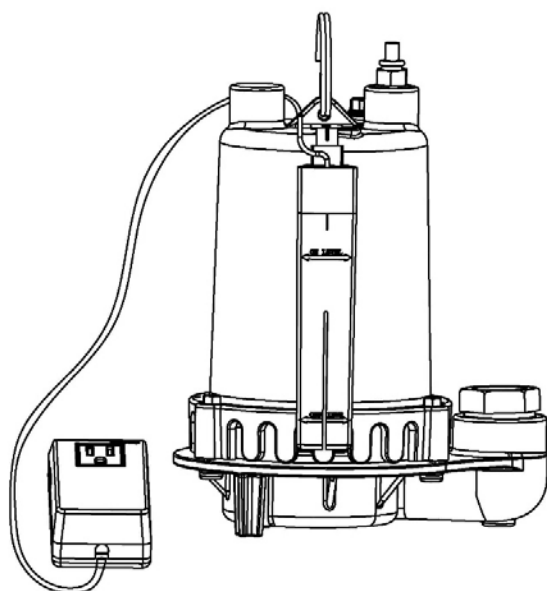


EVERBILT[™]

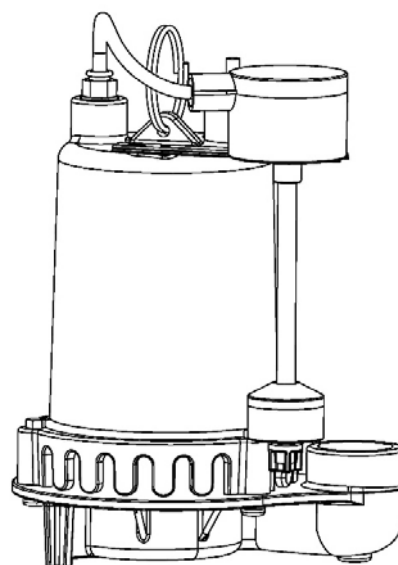
SKU# 546079 561433
Model# PSSP1001EP PSSP07501VD

USE AND CARE GUIDE

SUBMERSIBLE SUMP PUMP



PSSP1001EP



PSSP07501VD

Questions, problems, missing parts? Before returning to the store call
Everbilt Customer Service
8 a.m. - 5 p.m., EST, Monday-Friday

1-877-527-0313

HOMEDEPOT.COM

THANK YOU

We appreciate the trust and confidence you have placed in Everbilt through the purchase of this submersible sump pump. We strive to continually create quality products designed to enhance your home. Visit us online to see our full line of products available for your home improvement needs. Thank you for choosing Everbilt!

Table of Contents

Table of Contents.....	2	Pre-assembly (continued).....	5
Performance.....	2	PACKAGE CONTENTS.....	5
Safety Information.....	2	SPECIFICATIONS.....	5
Safety Information (continued).....	3	Assembly.....	6
Warranty.....	3	Operation.....	7
Pre-assembly.....	4	Airlock.....	
APPLICATION.....	4	Care and Cleaning.....	8
TOOLS REQUIRED.....		Troubleshooting.....	9
MATERIALS REQUIRED (NOT INCLUDED) .			

Performance

SKU	HP	GPH of Water @ Total Feet Of Lift						Max. Lift
		0'	5'	10'	15'	20'	25'	
546079	1	5500	5160	4680	4200	3480	2340	30'
561433	3/4	5150	4800	4320	3660	2580	0	25'

Safety Information



DANGER: Do not pump flammable or explosive liquids such as oil, gasoline, kerosene, ethanol, etc. Do not use in the presence of flammable or explosive vapors. Using this pump with or near flammable liquids can cause an explosion or fire, resulting in property damage, serious personal injury, and/or death.



DANGER: ALWAYS disconnect the power to the pump before servicing.



DANGER: Do not touch the motor housing during operation. The motor is designed to operate at high temperatures. Do not disassemble the motor housing.



DANGER: Do not handle the pump or pump motor with wet hands or when standing on a wet or damp surface, or in water.



WARNING: Release all pressure and drain all water from the system before servicing any component.



WARNING: Secure the discharge line before starting the pump. An unsecured discharge line will whip, possibly causing personal injury, and/or property damage.



WARNING: Wear safety goggles at all times when working with pumps.



WARNING: This unit is designed only for use on 115 volts (single phase), 60 Hz, and is equipped with an approved 3-conductor cord and 3-prong grounded plug. Do not remove the ground pin under any circumstances. The 3-prong plug must be directly inserted into a properly installed and grounded 3-prong, grounding-type receptacle. Do not use this pump with a 2-prong wall outlet. Replace the 2-prong outlet with a properly grounded 3-prong receptacle (a GFCI outlet) installed in accordance with the National Electrical Code and local codes and ordinances. All wiring should be performed by a qualified electrician.



WARNING: Protect the electrical cord from sharp objects, hot surfaces, oil, and chemicals. Avoid kinking the cord. Do not use damaged or worn cords.



WARNING: Failure to comply with the instruction and designed operation of this unit may void the warranty. ATTEMPTING TO USE ADAMAGED PUMP can result in property damage, serious personal injury, and/or death.

Safety Information (continued)



CAUTION: Know the pump and its applications, limitations, and potential hazards.



CAUTION: Secure the pump to a solid base. This will aid in keeping the pump in a vertical orientation. This is critical in keeping the pump operating at maximum efficiency. It will also help prevent the pump from clogging resulting in premature failure.



CAUTION: Periodically inspect the pump and system components to ensure the pump suction screen are free of mud, sand, and debris. Disconnect the pump from the power supply before inspecting.



CAUTION: Follow all local electrical and safety codes, along with the National Electrical Code (NEC). In addition, all Occupational Safety and Health Administration (OSHA) guidelines must be followed.



IMPORTANT: The motor of this pump has a thermal protector that will trip if the motor becomes too hot. The protector will reset itself once the motor cools down and an acceptable temperature has been reached. The pump may start unexpectedly if it is plugged in.



IMPORTANT: Ensure the electrical power source is adequate for the requirements of the pump.



IMPORTANT: Before using the pump, check the hose for holes or excess wear, which could cause leaks, and ensure the hose is not kinked or making sharp angles. A straight hose allows the pump to move the greatest amount of water quickly, and also check that all hose connections are tight to minimize leaks.



IMPORTANT: This pump is made of high-strength, corrosion-resistant materials. It will provide trouble-free service for a long time when properly installed, maintained, and used. However, inadequate electrical power to the pump, dirt, or debris may cause the pump to fail. Please carefully read the manual and follow the instructions regarding common pump problems and remedies.

Warranty

The manufacturer warrants the products to be free from defects in materials and workmanship for a period of five years from date of purchase. This warranty applies only to the original consumer purchaser and only to products used in normal use and service. If within one year this product is found upon examination by the manufacturer to be defective in materials or workmanship, the manufacturer's only obligation, and your exclusive remedy, is the repair or replacement of the product at the manufacturer's discretion, provided that the product has not been damaged through misuse, abuse, accident, modifications, alterations, neglect or mishandling. Your original receipt of purchase is required to determine warranty eligibility.

The purchaser must pay all labor and shipping charges necessary to replace the product covered by this warranty.

This Limited Warranty does not cover products which have been damaged as a result of an accident, misuse, abuse, negligence, alteration, improper installation or maintenance, or failure to operate in accordance with the instructions supplied with the products, or operational failures caused by corrosion, rust, or other foreign materials in the system.

Requests for service under this warranty shall be made by returning the defective product to the manufacturer as soon as possible after the discovery of any alleged defect. The manufacturer will subsequently take corrective action as promptly as reasonably possible.

The manufacturer does not warrant and especially disclaims any warranty, whether express or implied, of fitness for a particular purpose, other than the warranty contained herein. This is the exclusive remedy and any liability for any and all indirect or consequential damages or expenses whatsoever is excluded.

Some states do not allow the exclusion or limitation of incidental or consequential damages or limitations on how long an implied warranty lasts, so the above limitations or exclusions may not apply to you. This warranty gives you specific legal rights and you may also have other rights which vary from state to state.

Contact the Customer Service Team at 1-877-527-0313 or visit HOMEDEPOT.COM

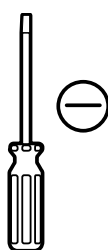
Pre-assembly

APPLICATION

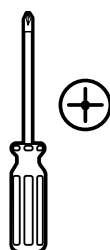
The submersible pump is designed for water removal applications. Use this pump only for pumping water. It can drain or remove water from the following: pits, sinks, window wells, basements, swimming pool covers, boats, low spots in yards, or other flooded areas. This pump has not been tested or approved for use in swimming pools or in salt-water marine areas.

This pump is not designed to function as a permanently installed sump pump. It is also not engineered to be run continuously as a “fountain” or “waterfall” pump.

• TOOLS REQUIRED



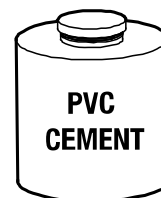
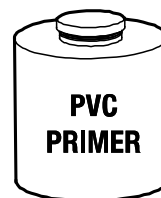
Flathead
Screwdriver



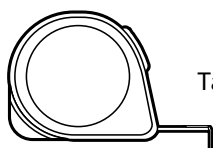
Phillips
Screwdriver



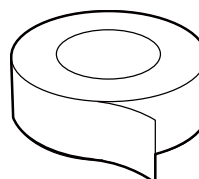
Hand
Hacksaw



Safety goggles



Tape Measure



Thread Tape

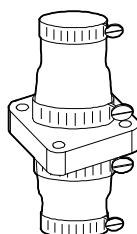
MATERIALS REQUIRED (NOT INCLUDED)



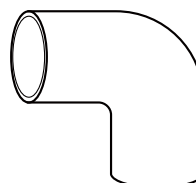
NOTE: Parts shown below not to scale



1-1/4 in. or 1-1/2 in.
discharge pipe



1-1/4 in. or 1-1/2 in.
check valve



1-1/4 in. or 1-1/2 in.
90° elbow

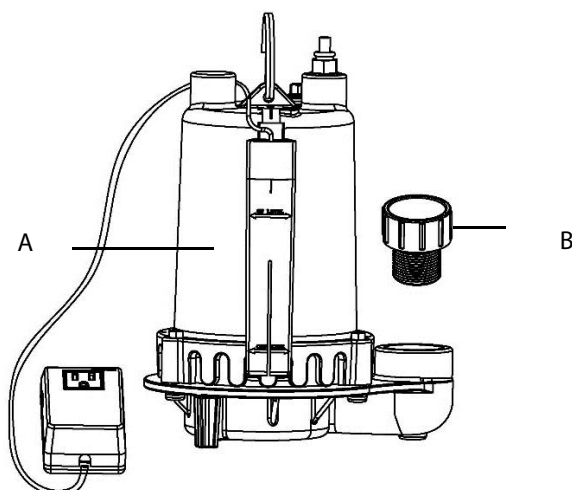
Pre-assembly (continued)



PACKAGE CONTENTS



NOTE: The adapter is not shown to scale.



Part	Description
A	Pump
B	1-1/4 in. adapter

SPECIFICATIONS

Power supply	115V, 60 HZ., 15 Amp Circuit
Liquid temp. range	35°F to 77°F(1° - 25°C)
Individual branch circuit required	15A
Discharge size	1-1/2" FNPT or 1-1/4" FNPT (with adaptor)
Sump basin	10 in. (254mm) diameter, 15 in. (381mm) depth

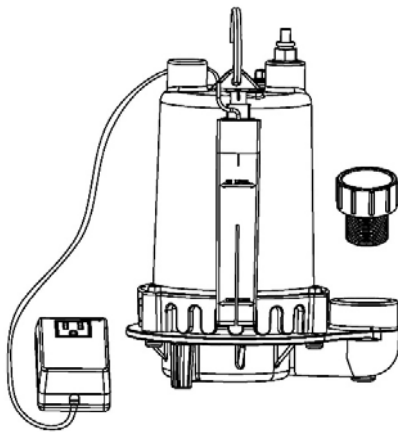
Assembly



CAUTION: Always use the handle to lift the pump. Never use the power cord to lift the pump. To avoid skin burns, unplug the pump and allow time for it to cool after periods of extended use.

1 Adapter Installation

- For 1-1/2" pipe installation, wrap the threads of the 1-1/2 in. with thread tape. Screw the adapter on the pump discharge.
- For 1-1/4" pipe installation, wrap the thread of the 1-1/4 in. adaptor (included). Screw the adaptor on the pump discharge. Install 1-1/4 in. MPTx1-1/4 in. slip adaptor.



□

3 Check Valve Connection

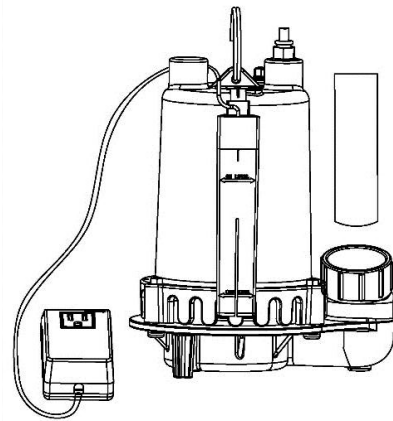
- Install a 1-1/2 in. or 1-1/4 in. check valve in the vertical discharge pipe. Be sure the flow is away from the pump.
- Slid down the sump lid.



NOTE: we recommend that the check valve be installed..

2 Discharge Pipe Connection To Pump

- Attach the discharge pipe to the adapter.



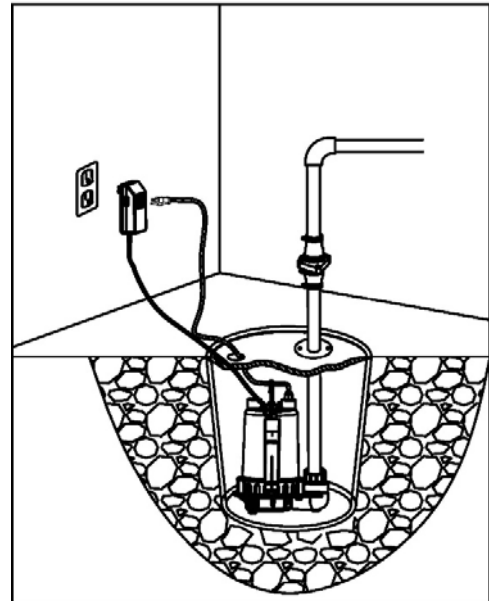
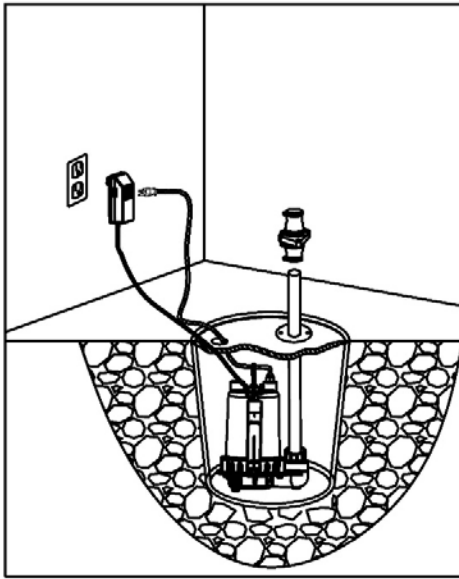
□

4 Discharge Pipe Connection

- Remove the cord grommet from the sump lid and pass the switch plug and power cord plug through the grommet hole.



NOTE: Vertical switch is directly built in the pump. It doesn't have a plug..



Operation



DANGER: Do not handle pump or pump motor with wet hands or when standing on wet or damp surface, or in water.

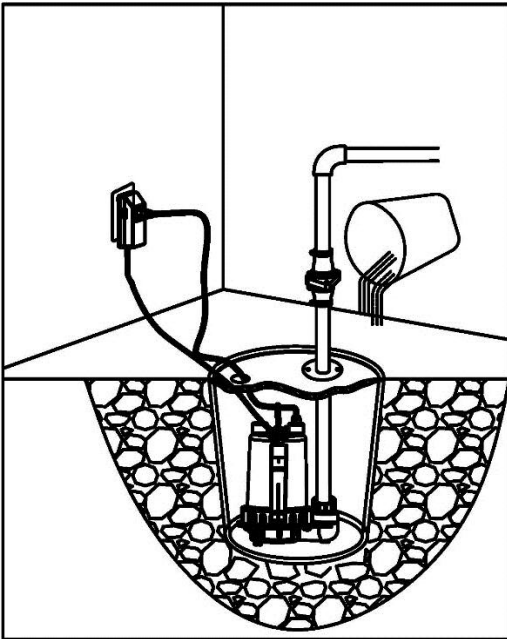
Function Verification

- Plug the pump power cord plug into the piggyback switch plug outlet.
-
- Then plug the switch plug into 115V GFCI power outlet,
- Check the pump by filling the sump pit with water and observe the pump's operation through one complete cycle. Make sure the pump cannot move in the sump pit and float switch moves freely up and down.
- When the float switch moves up over the top of the pump, the pump will start operating. When the water lowers to a certain level, the float switch will turn off the pump.



NOTE: Make certain the pump is submerged in water. Running the pump dry can damage the shaft seal.

-
-
-



-

Care and Cleaning



CAUTION: Always use the handle to lift the pump. Never use the power cord to lift the pump. To avoid skin burns, unplug the pump and allow time for it to cool after periods of extended use.

Do

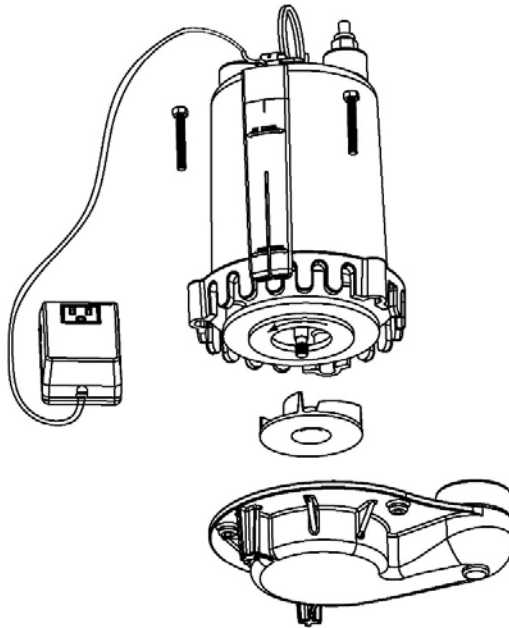
- When the power is disconnected, inspect the pump suction screen and remove all debris, then plug the pump back into the grounded (GFCI) outlet.

Do Not

- Do not disassemble the motor housing. This motor has NO repairable internal parts, and disassembly may cause leakage or dangerous electrical wiring issues.
- Do not lift up the pump by the power cord.

To clear a pump clogged with debris:

- Unplug the pump from electrical power.
- Unscrew the stainless screws (D), and remove the volute (C).
- Use a flathead screwdriver to hold the shaft (A), then turn the impeller (B) counterclockwise to release the impeller (B).
- Remove debris from around the shaft (A) and on/under the impeller (B).
- Reassemble the pump.



Troubleshooting

Problem	Possible Cause	Corrective Action
Pump does not start or run	<ol style="list-style-type: none"> 1. Blown fuse 2. Tripped breaker 3. Plug disconnected 4. Corroded plug 5. Thermal overload 6. Float switch failed 7. Motor failed 	<ol style="list-style-type: none"> 1. Replace fuse 2. Reset breaker 3. Secure plug 4. Clean plug prongs 5. Unplug for 30 minutes, then plug in 6. Directly plug the power cord into the power source outlet. If the pump works, the switch must be faulty. Replace switch. 7. Directly plug the power cord (skip switch) into the power source outlet. If the pump doesn't work or motor is humming, the motor must be faulty. Replace pump.

Pump operates but pumps little or no water	<ol style="list-style-type: none"> 1. Screen blocked 2. Debris caught in the impeller or discharge 3. Impeller loose on shaft Impeller broken	<ol style="list-style-type: none"> 1. Clean screen 2. Remove debris 3. Reassemble impeller Replace impeller
Pump starts and stops too often	<ol style="list-style-type: none"> 1. Backflow of water from piping or check valve leaking 2. Tangled switch 3. Float Switch failed 	<ol style="list-style-type: none"> 1. Install a check valve or replace the check valve 2. Reposition the pump and make sure the switch moves freely 3. Replace switch
Pump will not shut off	<ol style="list-style-type: none"> 1. Tangled switch 2. Faulty float switch 3. Float obstructed 	<ol style="list-style-type: none"> 1. Reposition the pump and make sure the switch moves freely 2. Replace switch 3. Remove obstruction



Questions, problems, missing parts? Before returning to the store call
Everbilt Customer Service
8 a.m. - 5 p.m., EST, Monday-Friday

1-877-527-0313

HOMEDEPOT.COM