

Haier

Installation and User Manual
Installation et guide de l'utilisateur
Manual de instalación y del usuario
HEN70ETFP

Dehumidifier

Déshumidificateur

Deshumidificador

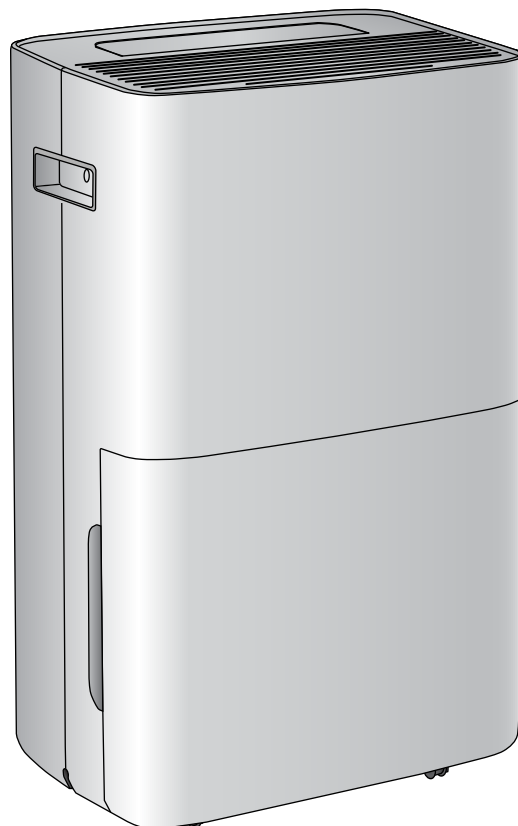


TABLE OF CONTENTS

DEHUMIDIFIER SAFETY	2
PARTS AND FEATURES	3
INSTALLATION REQUIREMENTS	3
Location Requirements	3
Electrical Requirements	3
INSTALLATION INSTRUCTIONS	4
Step 1 - Unpack Dehumidifier	4
Step 2 - Install Direct Drain	4
Step 3 - Install Drain Tube to Drain Pump	5
Step 4 - Complete Installation	5
CONTROL PANEL	6
Display	6
Buttons and Indicators	6
DEHUMIDIFIER USE	7
Defrost Mode	7
DEHUMIDIFIER CARE	7
Cleaning	7
Air Filters	7
Water Collection Bucket	8
Storage	8
TROUBLESHOOTING	8
LIMITED WARRANTY	9
RECORD KEEPING	10

DEHUMIDIFIER SAFETY

Your safety and the safety of others are very important.

We have provided many important safety messages in this manual and on your appliance. Always read and obey all safety messages.



This is the safety alert symbol.

This symbol alerts you to potential hazards that can kill or hurt you and others. All safety messages will follow the safety alert symbol and either the word "DANGER," "WARNING" or "CAUTION."

These words mean:



An imminently hazardous situation. You could be killed or seriously injured if you don't immediately follow instructions.



A potentially hazardous situation which, if not avoided, could result in death or serious bodily injury.



A potentially hazardous situation which, if not avoided, may result in moderate or minor injury.

All safety messages will tell you what the potential hazard is, tell you how to reduce the chance of injury, and tell you what can happen if the instructions are not followed.

IMPORTANT SAFETY INSTRUCTIONS

WARNING: To reduce the risk of fire, electrical shock, injury to persons, or damage when using the dehumidifier, follow basic precautions, including the following:

- Read all instructions before using this dehumidifier.
- Plug into a grounded 3 prong outlet.
- Do not remove ground prong.
- Do not use an adapter.
- Do not use an extension cord.
- Do not operate the dehumidifier if it has a damaged cord or plug, if it is not working properly, or if it has been damaged or dropped.
- The dehumidifier should be serviced only by qualified service personnel. Call an authorized service company for examination, repair, or adjustment.
- Disconnect power before servicing.
- Disconnect power before cleaning.
- Do not install or use the dehumidifier in any area where the atmosphere contains combustible gases or where the atmosphere is contaminated. Avoid any chemicals coming in contact with your dehumidifier.
- Do not store anything directly on top of the dehumidifier.
- Use two or more people to move and install dehumidifier.
- Never operate the dehumidifier without the filters in place.
- Do not use the dehumidifier near a bathtub, shower or wash basin or other wet area.
- Do not drink water collected in the water collection bucket.

NOTE: Turning off power by pressing the Power button does NOT disconnect the appliance from the power supply.

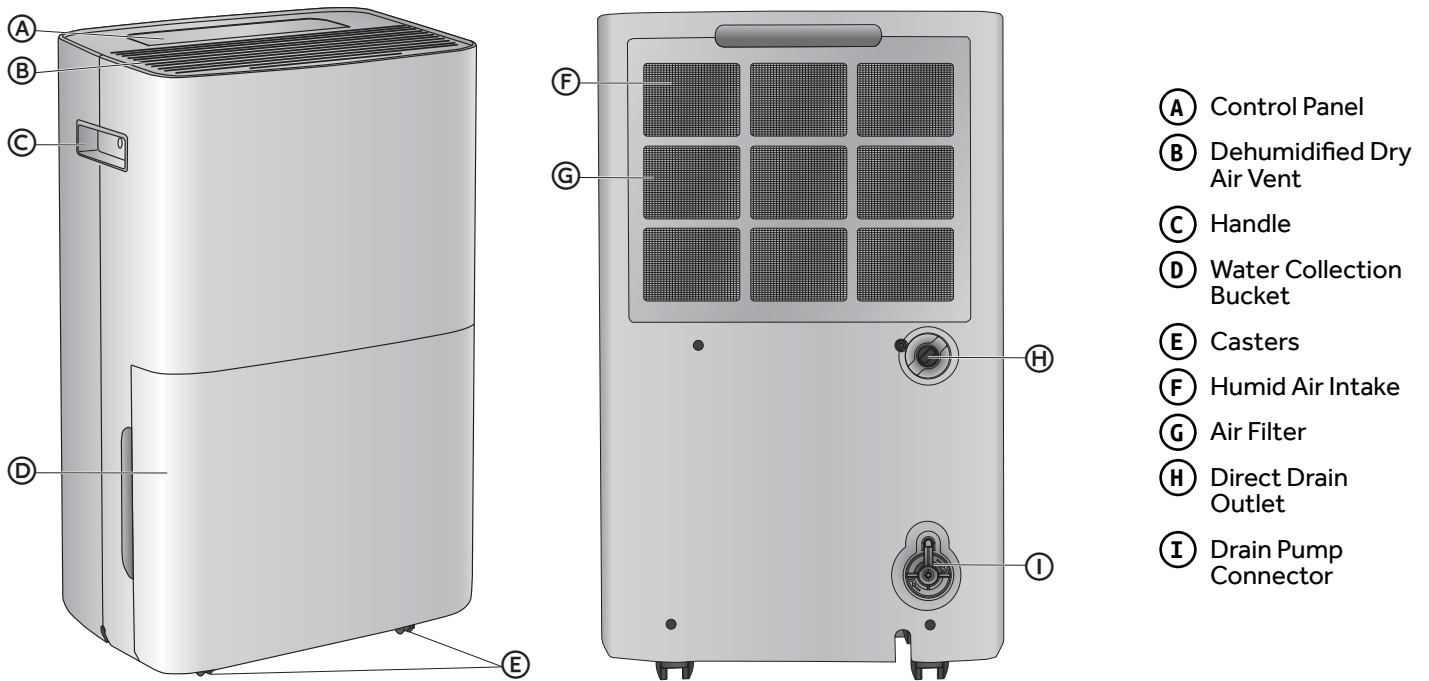
READ AND SAVE THESE INSTRUCTIONS

State of California Proposition 65 Warnings:

WARNING: This product contains one or more chemicals known to the State of California to cause cancer.

WARNING: This product contains one or more chemicals known to the State of California to cause birth defects or other reproductive harm.

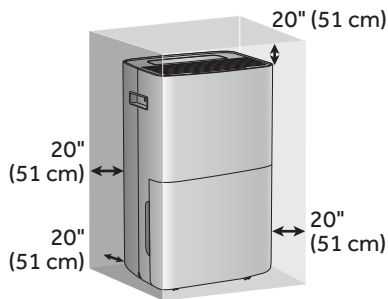
PARTS AND FEATURES



INSTALLATION REQUIREMENTS

LOCATION REQUIREMENTS

- Place the dehumidifier on a flat, level, surface to avoid shaking, vibration and water spilling.
- The surface must be strong enough to support the dehumidifier when the collection bucket is full of water.
- Maintain a minimum 8" (20 cm) clearance around the dehumidifier to dissipate the heat properly.



- Keep the dehumidifier free of any obstructions such as drapes, curtains, blinds, etc.
- Keep all windows and doors to the outside closed when operating the dehumidifier. Humid air will increase the dehumidifier's workload.

- Do not place the dehumidifier in an area where the temperature will fall below 38°F (3°C). Lower temperatures may cause a layer of frost to accumulate which will decrease performance.
- Do not place the dehumidifier in direct sunlight or near a heat source such as baseboard heaters, stoves, etc.

ELECTRICAL REQUIREMENTS

⚠ WARNING



Electrical Shock Hazard

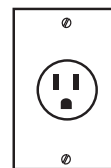
- Plug into a grounded 3 prong outlet.
- Do not remove the ground prong from the power cord plug.
- Do not use an adapter.
- Do not use an extension cord.
- Failure to do so can result in death, fire or electrical shock.

POWER SUPPLY CORD

Wiring Requirements

- 115 Volt, 60Hz, 15-amp fused grounded 3 prong outlet
- The use of a time-delay fuse or time-delay circuit breaker is recommended.
- Use a dedicated circuit only.

NOTE: Do not operate any other electrical appliances on this circuit or you may trip the circuit breaker/fuse.



115V
15 Amp

REQUIRED GROUNDING METHOD

This dehumidifier must be grounded. The dehumidifier is equipped with a power supply cord that has a 3 prong grounding plug. The power supply cord must be plugged into a mating, grounded 3 prong outlet, and grounded in accordance with all local codes and ordinances.

INSTALLATION INSTRUCTIONS

STEP 1 - UNPACK DEHUMIDIFIER

⚠ WARNING

Excessive Weight Hazard

Use two or more people to move and install dehumidifier.

Failure to do so can result in back or other injury.

- Remove packaging materials. Save the carton and the foam packaging for storing the dehumidifier when not in use.

NOTE: There are no packing materials inside the dehumidifier to remove. Do Not open the cabinet.

- Properly dispose of/recycle all packing material.
- Handle the dehumidifier gently.
- Keep the dehumidifier upright and level. Do not set the dehumidifier on its side, front, back or upside down.

STEP 2 - INSTALL DIRECT DRAIN

(Optional)

If you plan to operate your dehumidifier continuously, and you are placing it near a floor drain, such as in a basement, you may decide to install a direct drain to avoid having to empty the water collection bucket.

1. Unscrew and remove the drain cover on the back of the dehumidifier.
2. Remove the soft, rubber stopper. Place the drain cover and stopper into the water bucket for safe keeping.



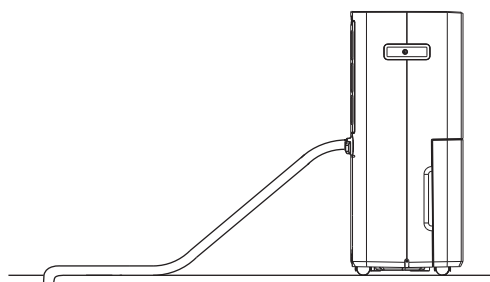
- (A) Rubber Stopper
- (B) Drain Cover

3. Connect a drain hose (not provided) to the garden-hose style drain connection.



- (A) Drain Hose

4. Lower the drain hose horizontally into a drain.

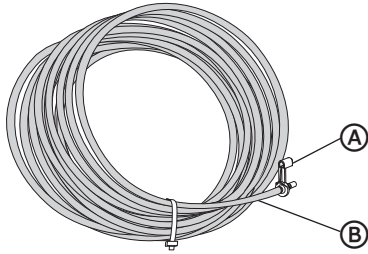


STEP 3 - INSTALL DRAIN TUBE TO DRAIN PUMP

(Optional)

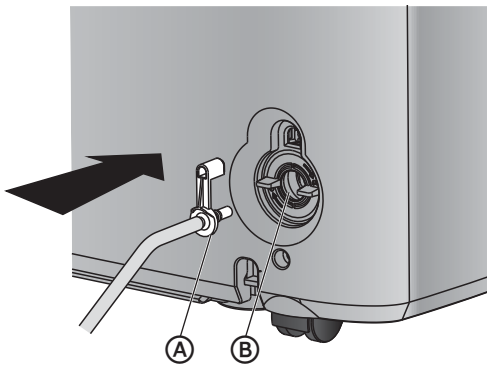
If you plan to operate your dehumidifier continuously, and it requires a longer hose to reach a floor drain, or the drain is located above the dehumidifier, connect the 16 ft (4.9 m) drain tube with drain tube fitting (provided) to the drain pump connector on the back of the dehumidifier. When the level of the water inside the collection bucket reaches the specified level, the drain pump will automatically pump the water to the drain.

1. Remove the drain tube from the water collection bucket.



- (A) Drain Tube Fitting
- (B) Drain Tube (16 ft [4.9 m] long)

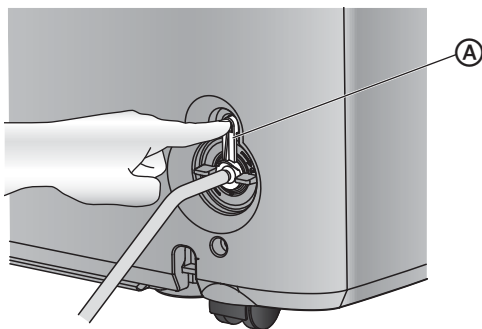
2. Insert the drain tube fitting into the drain pump connector located on the back of the dehumidifier.



- (A) Drain Tube Fitting
- (B) Drain Pump Connector

3. Push the drain tube fitting as far as possible into the drain pump connector.

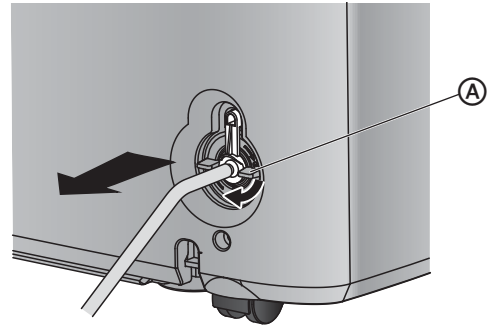
NOTE: Make sure that the drain tube fitting has securely snapped into position.



- (A) Drain Tube Fitting

4. Insert the opposite end of the drain tube into the drain.
5. To remove the drain tube, turn the knob of the drain pump connector clockwise 45° while pulling out the drain tube fitting.

NOTE: The drain tube fitting will pop away from the drain pump connector.



- (A) Drain Pump Connector Knob

STEP 4 - COMPLETE INSTALLATION

⚠ WARNING



Electrical Shock Hazard

Plug into a grounded 3 prong outlet.

Do not remove the ground prong from the power cord plug.

Do not use an adapter.

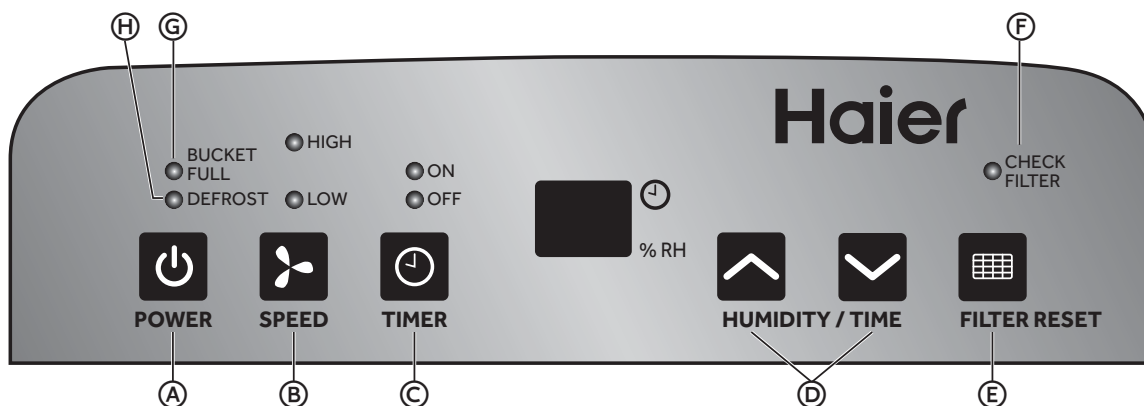
Do not use an extension cord.

Failure to do so can result in death, fire or electrical shock.

1. Place the dehumidifier on a firm, level surface in a suitable location. See "Location Requirements."
2. Make sure the water collection bucket is inserted correctly into the dehumidifier.

NOTE: If the Bucket Full indicator illuminates, remove the water bucket and check that the float lever moves freely.
3. Plug the power cord into a grounded 3 prong outlet.

CONTROL PANEL



DISPLAY

Displays the current room humidity as a percent, or the hours remaining in a Time Delay. The corresponding indicator light will illuminate.

BUTTONS AND INDICATORS

(A) POWER BUTTON

- Press the Power button to turn On/Off the dehumidifier.

NOTE: Turning off power by pressing the Power button does NOT disconnect the appliance from the power supply.

(B) FAN SPEED BUTTON

The fan speed can be adjusted from Low to High speed.

- Press the Fan Speed button to toggle among the two speeds. The corresponding fan speed indicator will illuminate.

(C) TIMER BUTTON

Auto Turn ON/Auto Turn OFF

Program a time from (1-hour to 24-hours) for the dehumidifier to turn Off or On. When a Time Delay is programmed, the Timer ON indicator light will illuminate.

While the dehumidifier is operating:

- Press the Timer button.
- Press the Up Arrow/Down Arrow buttons to select the number of hours you want the dehumidifier to continue to operate before turning Off.

NOTE: After displaying the time, the Display will revert to showing the current humidity after 10 seconds have passed.

While the dehumidifier is off:

- Press the Timer button.
- Press the Up Arrow/Down Arrow buttons to select the number of hours you want the dehumidifier to remain off before turning On.

NOTE: After displaying the time, the Display will revert to showing the current humidity after 10 seconds have passed.

To cancel the timer:

- Press the Timer button once, the hours remaining will flash, press the timer button again and the timer will be cancelled.

(D) HUMIDITY/TIME (Up and Down Arrow) BUTTONS

Adjusts the Humidity or Hours in Time Delay.

To Set the Humidity Level:

The humidity can be set between 30% Relative Humidity (RH) and 90% RH. The humidity can be adjusted in increments of 5% by each press of a button.

- Press the Up Arrow/Down Arrow buttons to select the desired Relative Humidity (RH).

NOTE: After setting the humidity level, the display will revert to the current humidity after 10 seconds have passed.

(E) FILTER RESET BUTTON

- Press this button to reset the air filter timer and to turn Off the Check Filter indicator.

(F) FILTER STATUS

After 250 hours of operation, the filter indicator light will illuminate to remind you to clean the air filter. Clean the air filter. See "Cleaning."

(G) BUCKET FULL

When the water collection bucket is full the indicator illuminates to remind you to empty the bucket.

(H) DEFROST

When the room temperature is low, the dehumidifier enters defrost mode and the indicator illuminates.

DEHUMIDIFIER USE

IMPORTANT: If the dehumidifier has been tilted on its side, wait 24 hours before turning on the dehumidifier to allow the oil to return to the compressor. This will prevent the dehumidifier from failing prematurely.

- Allow 20" (51 cm) of space around the unit for proper air circulation.
- Do Not operate the dehumidifier without an air filter in place.
- Do not spill liquid on the control panel; it may cause an electrical short to the interior electronic parts that would either disable them or cause them to function improperly.
- When the unit is operated in high humidity conditions, you may need to empty the water bucket more frequently.
- When the water collection bucket is full, the dehumidifier will stop operating automatically. The Bucket Full indicator illuminates to alert you of this condition. Empty the water collection bucket. See "Cleaning."

- When the empty water collection bucket is replaced properly, the dehumidifier will restart and operate normally.

DEFROST MODE

- If the dehumidifier is operated at temperatures below 54°F (12°C), but above 41°F (5°C), the surface of the evaporator may accumulate a layer of frost which would reduce the efficiency of the dehumidifier. So, the dehumidifier will enter periodic defrost mode. The time to defrost may vary. If the dehumidifier freezes up, turn it off at the power supply and restart.

NOTE: If the room temperature remains below 41°F (5°C), the dehumidifier should be turned OFF.

DEHUMIDIFIER CARE

⚠ WARNING



Electrical Shock Hazard

Disconnect power before cleaning.

Failure to do so can result in death or electrical shock.

CLEANING

1. Unplug dehumidifier or disconnect power.
2. Use only a soft cloth dampened with water to clean the cabinet.

NOTE:

- Do not use a liquid or spray cleaner to clean the dehumidifier.
 - Do not wash with a hose or immerse in water.
 - DO NOT use chemicals, abrasives, ammonia, chlorine bleach, concentrated detergents, solvents or scouring pads. Some of these chemicals/items may damage and/or discolor your dehumidifier.
3. Wipe dry with a soft cloth.
 4. Plug in or reconnect power.

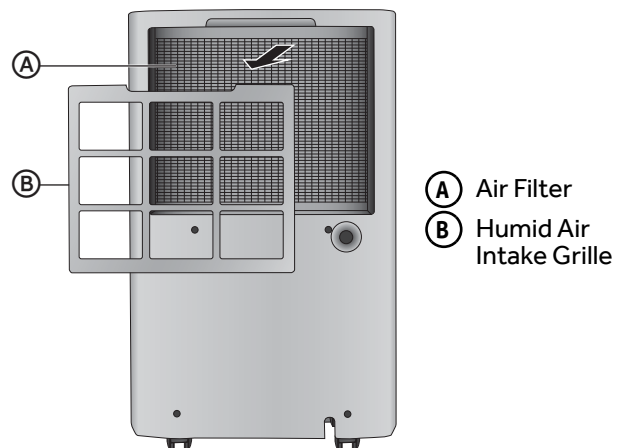
AIR FILTERS

Your dehumidifier features a removable air filter located at the back of the unit behind the humid air intake grille.

IMPORTANT: DO NOT use your dehumidifier without the air filter in place.

1. Unplug or disconnect power.
2. Pull on the tabs to slide out the filters from the back of the dehumidifier.

NOTE: The secondary filters are accessible once the main filters are removed.



3. Wash or vacuum the dust from the air filters.

NOTE: If washed, gently shake the filter to remove the excess water and dust particles trapped in the filter.

4. Reinstall the filters.
5. Plug in or reconnect power.

WATER COLLECTION BUCKET

⚠ WARNING

Sickness Hazard

Do not drink water collected in water bucket.
Doing so can result in sickness.

The Bucket Full indicator illuminates, when the water collection bucket has filled with water.

To Empty the Water Collection Bucket:

1. Unplug the dehumidifier or disconnect power.
2. Using two hands, slowly slide the water collection bucket from the front of the dehumidifier.



(A) Water Collection Bucket

3. Empty the water collection bucket.
4. Replace the empty water collection bucket into the dehumidifier.
5. Plug in or reconnect power.

STORAGE

If the unit is not being used for a long period of time:

1. Unplug the dehumidifier or disconnect power.
2. Drain the water from the water bucket. See "Dehumidifier Care."
3. Use the original packaging to repack the unit to avoid a buildup of dust or dirt.
4. Store the dehumidifier in a cool, dry location.

TROUBLESHOOTING

First try the solutions suggested here to possibly avoid the cost of a service call.

PROBLEM	POSSIBLE CAUSE	SOLUTION
Unit does not start or operate	Power supply cord is not plugged into an outlet.	Plug dehumidifier into a grounded 3 prong outlet.
	The Power button has not been pressed.	Press the Power button on the Control Panel or Remote Control to turn ON the dehumidifier.
	There is no power to the electrical outlet.	Plug a working lamp into the outlet to check for power.
	A household fuse has blown or a circuit breaker has tripped.	Replace the fuse or reset the circuit breaker.
	The control was programmed for a Time Delay.	Cancel the Time Delay. See "Control Panel."
	The batteries in the remote control are dead.	Replace the batteries.
	The water bucket is full. NOTE: The dehumidifier automatically turns off, and the Bucket Full indicator illuminates to alert you of this condition.	Empty the water bucket. See "Dehumidifier Care."

PROBLEM	POSSIBLE CAUSE	SOLUTION
Dehumidifier is working but the room is still humid.	The room is humid. NOTE: On extremely hot and humid days, the dehumidifier will take longer to dehumidify the room.	Allow time for the room to dehumidify when you first turn on the unit. Make sure the dehumidifier has an adequate BTU rating for the size of the room being cooled.
	Airflow is restricted.	Remove any obstacles to the airflow and redirect airflow for uniform cooling.
	RH Level set too high	Lower the set humidity level.
	Air filters are dirty or restricted.	Clean the air filter. See "Dehumidifier Care."
	Doors and windows are open.	Close the doors and windows to the room being cooled to prevent cooled air from escaping.

FOR MORE HELP, VISIT HAIERAMERICA.COM OR CALL THE CONSUMER HELP LINE AT 1-877-337-3639.

LIMITED WARRANTY

IN-HOME SERVICE

FULL ONE YEAR WARRANTY

12 Months on Parts, Labor and Sealed System

For 12 months from the date of original retail purchase, Haier will replace any part free of charge that fails due to a defect in materials or workmanship.

Haier may replace at their sole discretion any part, sub system including the entire product.

LIMITED WARRANTY

NOTE: This warranty commences on the date the item was purchased, and the original purchase receipt must be presented to the authorized service representative.

Exceptions: Commercial Use Warranty

90 days parts from date of original purchase

No other warranty applies.

FOR WARRANTY SERVICE

All parts must be provided by a Haier authorized service center. For the name and telephone number of the nearest authorized service center, please call 1-877-337-3639.

Before calling please have available the following information:

Model number and serial number of your appliance. The name and address of the dealer you purchased the unit from and the date of purchase.

A clear description of the problem.

A proof of purchase (sales receipt).

This warranty covers home appliance services within the contiguous United States and Canada and where available in Alaska, Hawaii and Puerto Rico.

What is not covered by this warranty:

Replacement or repair of household fuses, circuit breakers, wiring or plumbing.

A product whose original serial number has been removed or altered.

Any service charges not specifically identified as normal such as normal service area or hours.

Damage incurred in shipping.

Damage caused by improper installation or maintenance.

Damage from misuse, abuse, accident, fire, flood, or acts of nature.

Damage from service other than an authorized Haier dealer or service center.

Damage from incorrect electrical current, voltage or supply.

Damage resulting from any product modification, alteration or adjustment not authorized by Haier.

Adjustment of consumer operated controls as identified in the owner's manual.

Labor, service transportation, and shipping charges for the removal and replacement of defective parts beyond the initial 12-month period.

Damage from other than normal household use.

Any transportation and shipping charges.

THIS LIMITED WARRANTY IS GIVEN IN LIEU OF ALL OTHER WARRANTIES, EXPRESSED OR IMPLIED, INCLUDING BUT NOT LIMITED TO, THE WARRANTIES OF MERCHANTABILITY AND FITNESS FOR A PARTICULAR PURPOSE.

The remedy provided in this warranty is exclusive and is granted in lieu of all other remedies.

This warranty does not cover incidental or consequential damages, so the above limitations may not apply to you. Some states do not allow limitations on how long an implied warranty lasts, so the above limitations may not apply to you.

This warranty gives you specific legal rights, and you may have other rights, which vary from state to state.

Haier America
Wayne, NJ 07470

RECORD KEEPING

Thank you for purchasing this Haier product. This user manual will help you get the best performance from your new dehumidifier.

For future reference, record the model and serial number located on the label on the side of your dehumidifier, and the date of purchase.

Staple your proof of purchase to this manual to aid in obtaining warranty service if needed.

Model number

Serial number

Date of purchase

TABLE DES MATIÈRES

SÉCURITÉ DU DÉSHUMIDIFICATEUR	12
PIÈCES ET CARACTÉRISTIQUES	13
EXIGENCES D'INSTALLATION	13
Exigences d'emplacement	13
Spécifications électriques	14
INSTRUCTIONS D'INSTALLATION	14
Étape 1 - Déballage du déshumidificateur	14
Étape 2 - Installation du système de vidange directe	14
Étape 3 - Raccordement du tuyau d'écoulement à la pompe de vidange	15
Étape 4 - Fin de l'installation	16
TABLEAU DE COMMANDE	16
Affichage	16
Boutons et témoins	16
UTILISATION DU DÉSHUMIDIFICATEUR	17
Mode de dégivrage	17
ENTRETIEN DU DÉSHUMIDIFICATEUR	18
Nettoyage	18
Filtres à air	18
Bac de récupération d'eau	18
Rangement	19
DÉPANNAGE	19
GARANTIE LIMITÉE	20
DOCUMENTS À CONSERVER	21

SÉCURITÉ DU DÉSHUMIDIFICATEUR

Votre sécurité et celle des autres est très importante.

Nous donnons de nombreux messages de sécurité importants dans ce manuel et sur votre appareil ménager. Assurez-vous de toujours lire tous les messages de sécurité et de vous y conformer.



Voici le symbole d'alerte de sécurité.

Ce symbole d'alerte de sécurité vous signale les dangers potentiels de décès et de blessures graves à vous et à d'autres. Tous les messages de sécurité suivront le symbole d'alerte de sécurité et le mot "DANGER," "AVERTISSEMENT" ou "ATTENTION."

Ces mots signifient :

⚠ DANGER

Une situation de danger imminent. Vous courez le risque d'un décès ou de blessures graves si vous ne suivez pas immédiatement les instructions.

⚠ AVERTISSEMENT

Une situation potentiellement dangereuse qui, si vous ne l'évitez pas, peut provoquer la mort ou des blessures graves.

⚠ ATTENTION

Une situation potentiellement dangereuse qui, si vous ne l'évitez pas, peut entraîner des blessures légères à modérées.

Tous les messages de sécurité vous diront quel est le danger potentiel et vous disent comment réduire le risque de blessure et ce qui peut se produire en cas de non-respect des instructions.

IMPORTANTES INSTRUCTIONS DE SÉCURITÉ

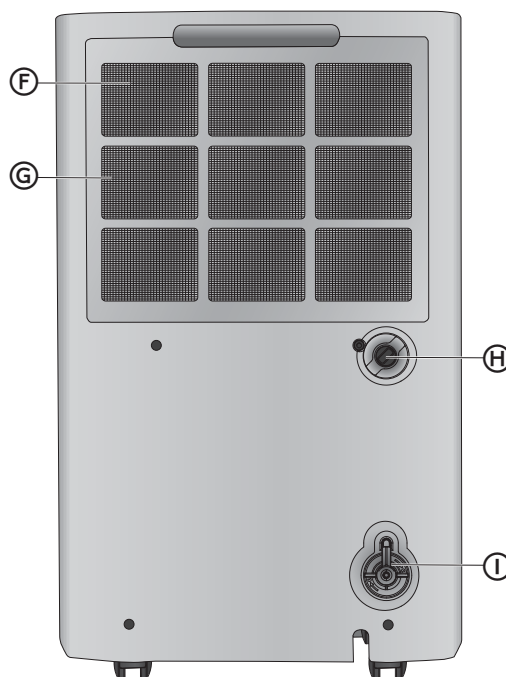
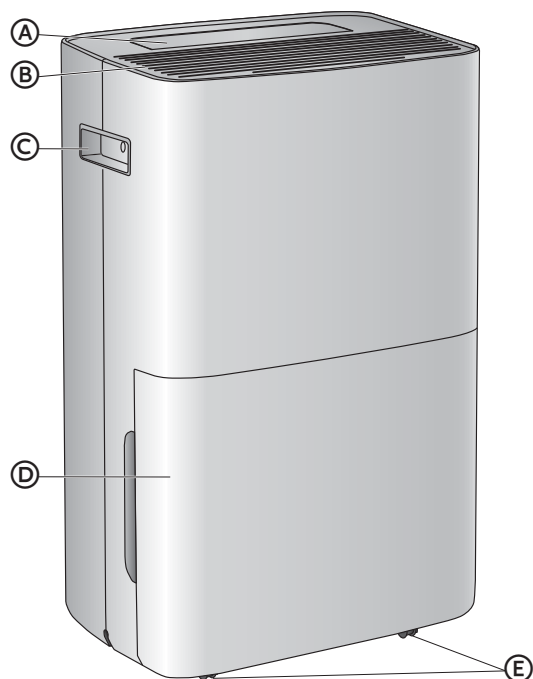
AVERTISSEMENT : Afin de réduire le risque d'incendie, de choc électrique, de blessures corporelles ou de dommage lors de l'utilisation du déshumidificateur, il convient d'observer certaines précautions fondamentales, notamment :

- Lire toutes les instructions avant d'utiliser ce déshumidificateur.
- Brancher sur une prise à 3 alvéoles reliée à la terre.
- Ne pas enlever la prise de liaison à la terre.
- Ne pas utiliser d'adaptateur.
- Ne pas utiliser un câble de rallonge.
- Ne pas faire fonctionner le déshumidificateur si la prise ou le câble est endommagé(e), si l'appareil ne fonctionne pas correctement, s'il est tombé par terre ou a été endommagé.
- Seul du personnel d'entretien qualifié est habilité à effectuer une intervention d'entretien sur le déshumidificateur. Contacter le centre de service agréé le plus proche pour examen, réparation ou réglage.
- Déconnecter la source de courant électrique avant l'entretien.
- Déconnecter la source de courant électrique avant le nettoyage.
- Ne pas installer le déshumidificateur ou l'utiliser dans une zone dont l'atmosphère contient des gaz combustibles ou dont l'atmosphère est contaminée. Éviter les contacts entre tout produit chimique et le déshumidificateur.
- Ne rien remiser directement au-dessus du déshumidificateur.
- Utiliser deux personnes ou plus pour déplacer et installer le déshumidificateur.
- Ne jamais faire fonctionner le déshumidificateur si les filtres ne sont pas en place.
- Ne pas faire fonctionner le déshumidificateur à proximité d'une baignoire, d'une douche, d'un lavabo ou de toute zone humide.
- Ne pas boire l'eau recueillie dans le bac de récupération.

REMARQUE : Éteindre l'appareil en appuyant sur le bouton Power (mise sous tension) ne débranche PAS l'appareil de l'alimentation électrique.

LIRE ET CONSERVER CES INSTRUCTIONS

PIÈCES ET CARACTÉRISTIQUES

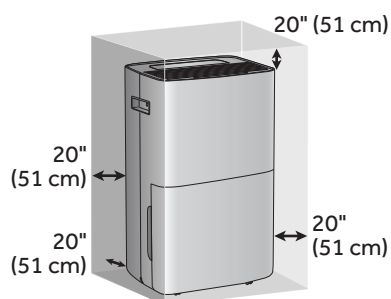


- Ⓐ Tableau de commande
- Ⓑ Évacuation de l'air sec déshumidifié
- Ⓒ Poignée
- Ⓓ Bac de récupération d'eau
- Ⓔ Roulettes
- Ⓕ Arrivée d'air humide
- Ⓖ Filtre à air
- Ⓗ Orifice de sortie de vidange directe
- Ⓘ Connecteur de pompe de vidange

EXIGENCES D'INSTALLATION

EXIGENCES D'EMPLACEMENT

- Placer le déshumidificateur sur une surface plane et horizontale afin d'éviter les tremblements, les vibrations et les renversements d'eau.
- La surface doit être suffisamment solide pour soutenir le déshumidificateur lorsque le bac de récupération est rempli d'eau.
- Conserver un dégagement de 8" (20 cm) au minimum autour du déshumidificateur pour permettre à la chaleur de se dissiper correctement.
- Ne pas installer le déshumidificateur dans un endroit où la température pourrait descendre en-dessous de 38 °F (3 °C). Des températures basses peuvent provoquer une accumulation de givre qui affecte les résultats de l'appareil.
- Placer le déshumidificateur à l'abri de la lumière directe du soleil ou d'une source de chaleur (plinthes chauffantes, cuisinières, etc).



- Ne pas obstruer le déshumidificateur de quelque manière que ce soit (rideaux, stores, etc).
- Maintenir fermées toutes les fenêtres et les portes donnant vers l'extérieur lorsque le déshumidificateur est en marche. L'air humide augmente la charge de travail du déshumidificateur.

SPÉCIFICATIONS ÉLECTRIQUES

⚠ AVERTISSEMENT



Risque de choc électrique

Brancher sur une prise à 3 alvéoles reliée à la terre.

Ne pas enlever la broche de liaison à la terre du cordon d'alimentation.

Ne pas utiliser un adaptateur.

Ne pas utiliser un câble de rallonge.

Le non-respect de cette instruction pourrait causer un décès, un incendie ou un choc électrique.

CORDON D'ALIMENTATION ÉLECTRIQUE

Spécifications du câblage

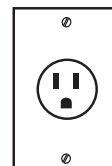
- 115 V, 60 Hz, 15 ampères, protégé par fusible et relié à la terre.

- On recommande l'emploi d'un disjoncteur ou fusible temporisé.
- Utiliser uniquement un circuit distinct.

REMARQUE : Ne faire fonctionner aucun autre appareil électrique sur ce circuit, car cela pourrait déclencher le disjoncteur ou griller les fusibles.

MÉTHODE DE LIAISON À LA TERRE REQUISE

Ce déshumidificateur doit être relié à la terre. Le déshumidificateur est équipé d'un cordon d'alimentation électrique à trois broches pour la liaison à la terre. Le cordon d'alimentation doit être branché sur une prise de courant de configuration correspondante, à 3 alvéoles, reliée à la terre et installée conformément à tous les codes et règlements locaux.



115 V
15 Ampères

INSTRUCTIONS D'INSTALLATION

ÉTAPE 1 - DÉBALLAGE DU DÉSHUMIDIFICATEUR

⚠ AVERTISSEMENT

Risque du poids excessif

Utiliser deux ou plus de personnes pour déplacer et installer le déshumidificateur.

Le non-respect de cette instruction peut causer une blessure au dos ou d'autres blessures.

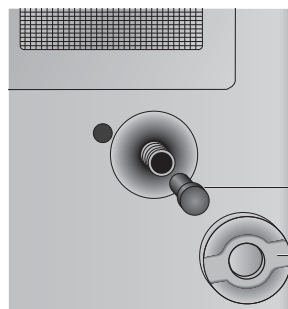
- Enlever les matériaux d'emballage. Conserver le carton et le polystyrène d'emballage pour entreposer le déshumidificateur lorsqu'il n'est pas utilisé.
REMARQUE : Il n'y a AUCUN matériau d'emballage à retirer à l'intérieur du déshumidificateur. Ne pas ouvrir la caisse.
- Jeter/recycler tous les matériaux d'emballage de manière adéquate.
- Manipuler le déshumidificateur délicatement.
- Garder le déshumidificateur debout et d'aplomb. Ne pas placer le déshumidificateur sur le flanc, sur l'avant, sur le dos ou à l'envers.

ÉTAPE 2 - INSTALLATION DU SYSTÈME DE VIDANGE DIRECTE

(Facultatif)

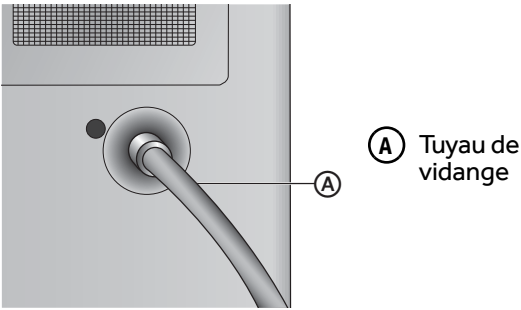
Si vous avez l'intention de faire fonctionner le déshumidificateur en continu et que celui-ci est installé à proximité d'un système de vidange au sol, vous avez la possibilité d'installer un système de vidange directe pour éviter d'avoir à vider le bac de récupération d'eau.

1. Dévisser et retirer le couvercle de vidange à l'arrière du déshumidificateur.
2. Retirer la bonde molle en caoutchouc. Placer le couvercle de vidange et la bonde à l'abri dans le bac à eau.

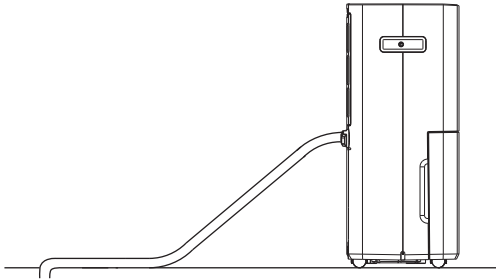


- (A) Bonde en caoutchouc
- (B) Couvercle de vidange

3. Brancher un tuyau de vidange (non fourni) au raccordement de vidange de type tuyau d'arrosage.



4. Abaisser le tuyau de vidange à l'horizontale dans une ouverture de vidange.

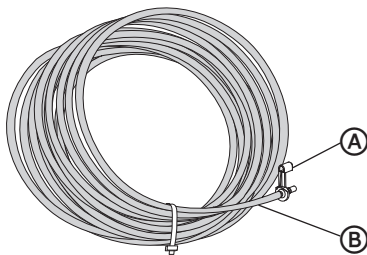


ÉTAPE 3 - RACCORDEMENT DU TUYAU D'ÉCOULEMENT À LA POMPE DE VIDANGE

(Facultatif)

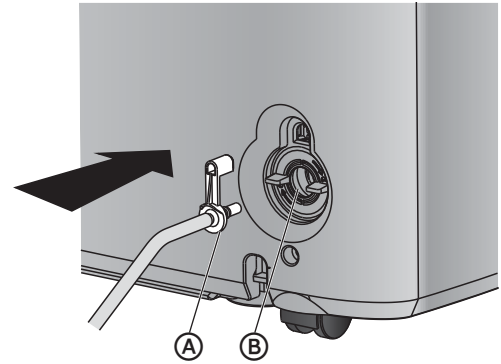
Si l'on prévoit de faire fonctionner le déshumidificateur sans interruption et qu'un tuyau d'écoulement plus long est nécessaire pour atteindre le drain de plancher ou que l'emplacement du drain se trouve au-dessus du déshumidificateur, relier le tuyau d'écoulement de 16 pi (4,9 m) avec raccord (fourni) au raccord de la pompe de vidange à l'arrière du déshumidificateur. Lorsque le niveau d'eau à l'intérieur du bac de récupération atteint le niveau spécifié, la pompe de vidange pompe automatiquement l'eau vers le drain.

1. Retirer le tuyau d'écoulement du bac du déshumidificateur.



- (A) Raccord du tuyau d'écoulement
(B) Tuyau d'écoulement (16 pi [4,9 m] de long)

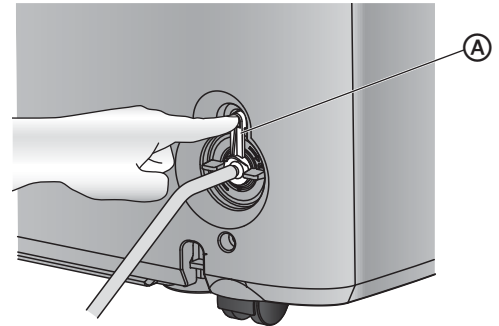
2. Insérer l'adaptateur du tuyau d'écoulement dans le raccord de la pompe de vidange situé à l'arrière du déshumidificateur.



- (A) Raccord du tuyau d'écoulement
(B) Connecteur de la pompe de vidange

3. Enfoncer le raccord du tuyau d'écoulement aussi loin que possible dans le raccord de la pompe de vidange.

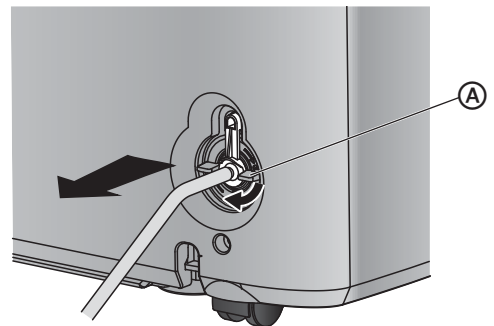
REMARQUE : Vérifier que le raccord du tuyau d'écoulement est bien emboîté.



- (A) Raccord du tuyau d'écoulement

4. Insérer l'extrémité opposée du tuyau d'écoulement dans le drain.
5. Pour retirer le tuyau d'écoulement, tourner le bouton de la pompe de vidange à 45° (dans le sens des aiguilles d'une montre) tout en tirant sur le raccord du tuyau d'écoulement.

REMARQUE : Le raccord du tuyau d'écoulement se dégagera du raccord de la pompe de vidange.



- (A) Bouton du connecteur de la pompe de vidange

ÉTAPE 4 - FIN DE L'INSTALLATION

⚠ AVERTISSEMENT



Risque de choc électrique

Brancher sur une prise à 3 alvéoles reliée à la terre.

Ne pas enlever la broche de liaison à la terre du cordon d'alimentation.

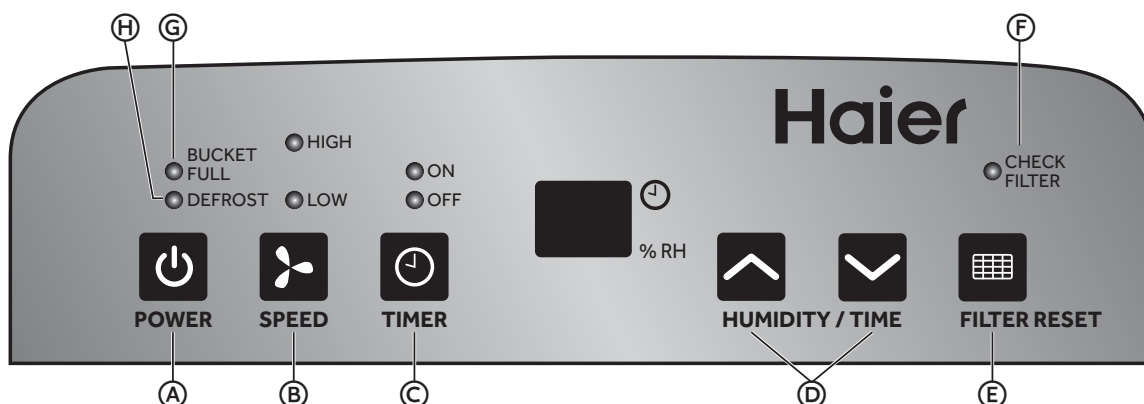
Ne pas utiliser un adaptateur.

Ne pas utiliser un câble de rallonge.

Le non-respect de cette instruction pourrait causer un décès, un incendie ou un choc électrique.

1. Installer le déshumidificateur sur une surface plane et horizontale dans un emplacement approprié. Voir "Exigences d'emplacement".
2. S'assurer que le bac de récupération d'eau est correctement inséré dans le déshumidificateur.
REMARQUE : Si le témoin indicateur de bac rempli s'allume, retirer le bac et vérifier que le levier flotteur bouge librement.
3. Brancher le cordon d'alimentation dans une prise à 3 alvéoles reliée à la terre.

TABLEAU DE COMMANDE



AFFICHAGE

Indique l'humidité actuelle de la pièce sous forme de pourcentage, ou le nombre d'heures restantes dans le cas d'une programmation de fonction différée. Le témoin correspondant s'allume.

BOUTONS ET TÉMOINS

(A) BOUTON DE MISE SOUS TENSION

- Appuyer sur le bouton Power (mise sous tension) pour allumer ou éteindre le déshumidificateur.

REMARQUE : Éteindre l'appareil en appuyant sur le bouton Power (mise sous tension) ne débranche PAS l'appareil de l'alimentation électrique.

(B) BOUTON DE VITESSE DU VENTILATEUR

La vitesse du ventilateur peut être réglée sur Low (basse), ou High (élevée).

- Appuyer sur le bouton Fan Speed (vitesse du ventilateur) pour alterner entre les deux vitesses. Le témoin correspondant à la vitesse du ventilateur s'allume.

(C) BOUTON DE MINUTERIE

Mise SOUS ou HORS TENSION automatique

Programmer une durée de 1 heure à 24 heures pour éteindre ou allumer le déshumidificateur. Lorsqu'une fonction différée est programmée, le témoin ON (marche) s'allume.

Lorsque le déshumidificateur fonctionne :

1. Appuyer sur le bouton Timer (minuterie).
2. Appuyer sur les flèches haut ou bas pour sélectionner le nombre d'heures supplémentaires de fonctionnement avant que l'appareil ne s'éteigne.

REMARQUE : Après avoir affiché la durée, l'affichage repasse sur le taux actuel d'humidité au bout de 10 secondes.

Lorsque le déshumidificateur ne fonctionne pas :

1. Appuyer sur le bouton Timer (minuterie).
2. Appuyer sur les flèches haut ou bas pour sélectionner la durée en heures au bout de laquelle l'appareil se mettra en marche.

REMARQUE : Après avoir affiché la durée, l'affichage repasse sur le taux actuel d'humidité au bout de 10 secondes.

Annulation de la minuterie :

- Appuyer une fois sur le bouton de minuterie, la durée résiduelle en heure clignote, appuyer de nouveau sur le bouton de minuterie pour annuler la minuterie.

D BOUTONS HUMIDITY/TIME (humidité/durée) (flèches haut et bas)

Règlent le niveau d'humidité ou une fonction différée en heures.

Pour régler le niveau d'humidité :

Le niveau d'humidité peut être réglé entre une humidité relative (RH) de 30 % à 90 %. Le niveau d'humidité peut être réglé par tranches de 5 % pour chaque pression sur un bouton.

- Appuyer sur les flèches haut/bas pour sélectionner le niveau d'humidité relative (RH) souhaité.

REMARQUE : Une fois le niveau d'humidité réglé, l'affichage repasse sur le taux actuel d'humidité au bout de 10 secondes.

E Bouton Filter Reset (réinitialisation du filtre)

- Appuyer sur ce bouton pour réinitialiser l'indicateur de durée du filtre et éteindre le témoin Check Filter (vérifier le filtre).

F Filter Status (état du filtre)

Après 250 heures de fonctionnement, le témoin indicateur du filtre s'allume pour vous rappeler de nettoyer le filtre à air. Nettoyer le filtre à air. Voir "Nettoyage".

G Bucket Full (bac rempli)

Lorsque le bac de récupération d'eau est rempli, le témoin s'allume pour vous rappeler de vider le bac.

H Defrost (dégivrage)

Lorsque la température ambiante est basse, le déshumidificateur entre en mode de dégivrage et le témoin s'allume.

UTILISATION DU DÉSHUMIDIFICATEUR

IMPORTANT : Si le déshumidificateur a été incliné sur le côté, patienter 24 heures avant de le remettre en marche pour laisser le temps à l'huile de rejoindre le compresseur. Cela évitera au déshumidificateur de tomber en panne prématurément.

- Laisser un dégagement de 20" (51 cm) autour de l'appareil pour permettre à l'air de circuler correctement.
- Ne pas faire fonctionner le déshumidificateur si les filtres à air ne sont pas en place.
- Ne pas renverser de liquide sur le tableau de commande; cela pourrait provoquer un court-circuit électrique vers les composants électroniques intérieurs et entraîner leur désactivation ou leur dysfonctionnement.
- Lorsque l'appareil fonctionne dans un environnement très humide, il peut être nécessaire de vider le réservoir d'eau régulièrement.
- Lorsque le bac de récupération d'eau est rempli, le déshumidificateur s'arrête de fonctionner automatiquement. À ce moment-là, le témoin Bucket Full (bac rempli) s'allume pour vous avertir. Vider le bac de récupération d'eau. Voir "Nettoyage".

- Lorsque le bac de récupération d'eau vide est correctement remis en place, le déshumidificateur redémarre et fonctionne normalement.

MODE DE DÉGIVRAGE

- Si le déshumidificateur fonctionne à une température inférieure à 54 °F (12 °C) mais supérieure à 41 °F (5 °C), une couche de givre peut s'accumuler sur la surface de l'évaporateur, ce qui peut affecter l'efficacité du déshumidificateur. Le déshumidificateur entre alors en mode de dégivrage régulier. La durée de dégivrage peut varier. Si le déshumidificateur est pris dans la glace, il se met hors tension au niveau de l'alimentation et redémarre.

REMARQUE : Si la température ambiante est inférieure à 41 °F (5 °C), le déshumidificateur doit être ÉTEINT.

ENTRETIEN DU DÉSHUMIDIFICATEUR

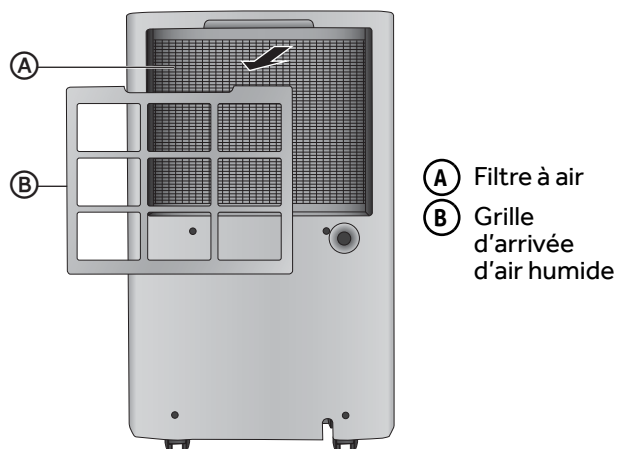
⚠ AVERTISSEMENT



Risque de choc électrique

Déconnecter la source de courant électrique avant le nettoyage.

Le non-respect de cette instruction peut causer un décès ou un choc électrique.



- (A) Filtre à air
- (B) Grille d'arrivée d'air humide

NETTOYAGE

1. Débrancher le déshumidificateur ou déconnecter la source de courant électrique.
2. Nettoyer la caisse avec un chiffon doux humidifié à l'eau uniquement.

REMARQUE :

- Ne pas utiliser de nettoyant liquide ou en aérosol pour nettoyer le déshumidificateur.
 - Ne pas nettoyer au jet ni immerger dans l'eau.
 - NE PAS utiliser de produits chimiques, de produits abrasifs, d'ammoniaque, d'agent de blanchiment, de détergents concentrés, de solvants ou de tampons à récurer. Certains de ces produits chimiques/articles peuvent endommager et/ou décolorer le déshumidificateur.
3. Sécher parfaitement avec un linge doux.
 4. Brancher l'appareil ou reconnecter la source de courant électrique.

FILTRES À AIR

Le déshumidificateur est équipé d'un filtre à air amovible situé à l'arrière de l'appareil, derrière la grille d'arrivée d'air humide.

IMPORTANT : NE PAS utiliser le déshumidificateur si les filtres à air ne sont pas en place.

1. Débrancher ou déconnecter la source de courant électrique.
2. Tirer sur les pattes pour faire coulisser les filtres et les dégager de l'arrière du déshumidificateur.

REMARQUE : Les filtres secondaires sont accessibles une fois que les filtres principaux ont été retirés.

3. Éliminer la poussière en lavant les filtres ou à l'aide d'un aspirateur.
REMARQUE : Si les filtres sont lavés, les secouer doucement pour éliminer le surplus d'eau et de particules de poussière piégées dans le filtre.
4. Réinstaller les filtres.
5. Brancher l'appareil ou reconnecter la source de courant électrique.

BAC DE RÉCUPÉRATION D'EAU

⚠ AVERTISSEMENT

Risque de maladie

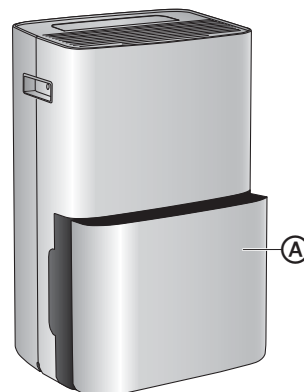
Ne pas boire l'eau recueillie dans le bac.

Le non-respect de cette instruction peut occasionner une maladie.

Le témoin Bucket Full (bac rempli) s'allume lorsque le bac de récupération d'eau est rempli d'eau.

Pour vider le bac de récupération d'eau :

1. Débrancher le déshumidificateur ou déconnecter la source de courant électrique.
2. Agripper le bac de récupération à deux mains et le faire glisser lentement depuis l'avant du déshumidificateur.



- (A) Bac de récupération d'eau

3. Vider le bac de récupération d'eau.

- Remettre le bac de récupération d'eau vide en place dans le déshumidificateur.
- Brancher l'appareil ou reconnecter la source de courant électrique.

- Vidanger l'eau du réservoir d'eau. Voir "Entretien du déshumidificateur".
- Mettre l'appareil dans son emballage d'origine pour éviter une accumulation de poussière ou de saleté.
- Entreposer le déshumidificateur dans un endroit frais et sec.

RANGEMENT

Lors de longues périodes d'inutilisation de l'appareil :

- Débrancher le déshumidificateur ou déconnecter la source de courant électrique.

DÉPANNAGE

Essayez tout d'abord les solutions suggérées ici et évitez les coûts pour le service de réparation.

PROBLÈME	CAUSE(S) POSSIBLE(S)	SOLUTION
L'appareil ne se met pas en marche ou ne fonctionne pas	Le cordon d'alimentation n'est pas raccordé à une prise murale.	Brancher le déshumidificateur sur une prise à 3 alvéoles reliée à la terre.
	Le bouton de mise sous tension Power n'a pas été enfoncé.	Appuyer sur le bouton de mise sous tension sur le tableau de commande ou la télécommande pour ALLUMER le déshumidificateur.
	La prise électrique n'est pas alimentée.	Brancher une lampe en état de marche sur la prise pour vérifier si celle-ci est alimentée.
	Un fusible est grillé ou un disjoncteur s'est déclenché.	Remplacer le fusible ou réenclencher le disjoncteur.
	La commande a été programmée pour une mise en marche différée.	Annuler la mise en marche différée. Voir "Tableau de commande".
	Les piles de la télécommande sont épuisées.	Remplacer les piles.
	Le bac à eau est rempli. REMARQUE : Le déshumidificateur s'éteint automatiquement et le témoin Bucket Full (bac rempli) s'allume pour vous avertir.	Vider le bac à eau. Voir "Entretien du déshumidificateur".
Le déshumidificateur fonctionne mais la pièce est toujours humide.	La pièce est humide. REMARQUE : Durant les journées très chaudes et humides, le déshumidificateur met plus longtemps à déshumidifier la pièce.	Lors d'une première utilisation, la déshumidification de la pièce prend plus de temps. S'assurer que le débit thermique du déshumidificateur est approprié aux dimensions de la pièce à refroidir.
	Le débit d'air est obstrué.	Dégager tout obstacle obstruant le débit d'air et rediriger le débit d'air pour un refroidissement homogène.
	Le réglage de l'humidité relative (HR) est trop élevé	Régler l'humidité à un niveau moins élevé.
	Les filtres à air sont sales ou obstrués.	Nettoyer le filtre à air. Voir "Entretien du déshumidificateur".
	Les portes et les fenêtres sont ouvertes.	Fermer les portes et les fenêtres de la pièce à refroidir pour éviter que l'air froid ne s'échappe.

POUR OBTENIR DE L'AIDE SUPPLÉMENTAIRE, VISITER HAIERAMERICA.COM OU CONTACTER LA LIGNE D'ASSISTANCE À LA CLIENTÈLE AU 1-877-337-3639.

GARANTIE LIMITÉE

SERVICE À DOMICILE

GARANTIE COMPLÈTE D'UN AN

12 mois sur les pièces, du travail et système scellé

Pendant 12 mois à compter de la date d'achat d'origine, Haier remplacera gratuitement n'importe quelle pièce comportant un défaut de matériau ou de fabrication.

Haier peut choisir à sa seule discrétion de remplacer des pièces, des sous-systèmes ou le produit tout entier.

GARANTIE LIMITÉE

REMARQUE : Cette garantie prend effet à la date à laquelle l'article a été acheté et le reçu de l'achat d'origine doit être présenté au représentant de dépannage.

Exceptions: Garantie à usage commercial

90 jours sur les pièces à compter de la date d'achat d'origine

Aucune autre garantie ne s'applique.

SERVICE AU TITRE DE LA GARANTIE

Toutes les pièces doivent être fournies par un centre de service agréé Haier. Pour le nom et le numéro de téléphone du centre de dépannage autorisé le plus proche de votre domicile, composer le 1-877-337-3639.

Avant d'appeler le centre, veuillez garder à disposition les renseignements suivants :

Numéros de plaque signalétique de l'appareil. Le nom et l'adresse du revendeur auprès duquel vous avez acheté l'appareil, ainsi que la date d'achat.

Une description claire du problème rencontré.

Une preuve d'achat (reçu de vente).

Cette garantie est valable pour le service des appareils domestiques aux États-Unis contigus et au Canada et lorsque le service est disponible, en Alaska, à Hawaï et Porto Rico.

Cette garantie ne couvre pas :

Le remplacement ou la réparation des fusibles, disjoncteurs, du câblage ou du circuit de plomberie du domicile.

Un produit dont le numéro de série d'origine a été enlevé ou modifié.

Tous frais de dépannage non identifiés comme étant normaux tel un dépannage dans une zone ou une tranche horaire normale.

Les dommages liés à l'expédition.

Les dommages liés à une installation ou un entretien inadapté.

Les dommages causés par l'un des éléments suivants : Mauvaise utilisation, utilisation abusive, accident, incendie ou catastrophe naturelle.

Les dommages résultant d'un dépannage fourni par une entité autre qu'un revendeur ou centre de dépannage autorisé Haier.

Les dommages causés par un courant, une tension ou une alimentation électrique incorrects.

Les dommages résultant d'une quelconque modification ou altération du produit ou d'un ajustement non autorisé par Haier.

Un ajustement des commandes utilisées par le consommateur tel qu'identifié dans le manuel de l'utilisateur.

Les frais de main-d'œuvre, transport pour dépannage et d'expédition pour le retrait et le remplacement de pièces défectueuses au-delà de la période de 12 mois.

Les dommages liés à une utilisation autre qu'une utilisation domestique normale.

Tout frais de transport et d'expédition.

CETTE GARANTIE LIMITÉE REMPLACE TOUTE AUTRE GARANTIE EXPRESSE OU IMPLICITE, Y COMPRIS, MAIS PAS SEULEMENT, LES GARANTIES IMPLICITES, Y COMPRIS LES GARANTIES DE QUALITÉ MARCHANDE OU D'APTITUDE À UN USAGE PARTICULIER.

Le recours offert dans cette garantie est exclusif et se substitue à toute autre garantie.

Cette garantie ne couvre pas les dommages fortuits ou indirects; aussi les limitations décrites ci-dessus peuvent ne pas s'appliquer à votre cas. Certains États ne permettent pas de limitation sur la durée d'une garantie implicite, aussi les limitations décrites ci-dessus peuvent ne pas s'appliquer à votre cas.

Cette garantie vous confère des droits juridiques spécifiques. Vous pouvez également jouir d'autres droits qui peuvent varier d'un État à l'autre.

Haier America
Wayne, NJ 07470

DOCUMENTS À CONSERVER

Merci d'avoir acheté ce produit Haier. Ce manuel d'utilisation vous aidera à obtenir la meilleure performance possible de votre déshumidificateur.

Pour référence ultérieure, inscrire le numéro de plaque signalétique et la date d'achat. La plaque signalétique est située sur une étiquette sur le côté de votre déshumidificateur.

Pour faciliter l'obtention d'un service sous garantie,agrafer la preuve de la date d'achat à ce manuel.

Numéro de modèle

Numéro de série

Date d'achat

ÍNDICE

SEGURIDAD DEL DESHUMIDIFICADOR	23
PIEZAS Y CARACTERÍSTICAS	24
REQUISITOS DE INSTALACIÓN	24
Requisitos de ubicación	24
Requisitos eléctricos	25
INSTRUCCIONES DE INSTALACIÓN	25
Paso 1 - Desempaque el deshumidificador	25
Paso 2 - Instalación del desagüe directo	25
Paso 3 - Instale el tubo de desagüe a la bomba de desagüe	26
Paso 4 - Complete la instalación	27
PANEL DE CONTROL	27
Pantalla	27
Botones y indicadoras	27
USO DEL DESHUMIDIFICADOR	28
Modo Defrost (Descongelación)	28
CUIDADO DEL DESHUMIDIFICADOR	29
Limpieza	29
Filtros de aire	29
Recipiente de recolección de agua	29
Almacenamiento	30
SOLUCIÓN DE PROBLEMAS	30
GARANTÍA LIMITADA	31
INFORMACIÓN A TENER EN CUENTA	32

SEGURIDAD DEL DESHUMIDIFICADOR

Su seguridad y la seguridad de los demás es muy importante.

Hemos incluido muchos mensajes importantes de seguridad en este manual y en su electrodoméstico. Lea y obedezca siempre todos los mensajes de seguridad.



Este es el símbolo de advertencia de seguridad.

Este símbolo le llama la atención sobre peligros potenciales que pueden ocasionar la muerte o una lesión a usted y a los demás. Todos los mensajes de seguridad irán a continuación del símbolo de advertencia de seguridad y de la palabra "PELIGRO", "ADVERTENCIA" o "PRECAUCIÓN".

Estas palabras significan:

▲ PELIGRO

Se trata de una situación de peligro inminente. Si no sigue las instrucciones de inmediato, usted puede morir o sufrir una lesión grave.

▲ ADVERTENCIA

Se trata de una situación posiblemente peligrosa que, de no evitarse, podría causar la muerte o una lesión grave.

▲ PRECAUCIÓN

Se trata de una situación posiblemente peligrosa que, de no evitarse, podría causar lesiones moderadas o leves.

Todos los mensajes de seguridad le dirán el peligro potencial, le dirán cómo reducir las posibilidades de sufrir una lesión y lo que puede suceder si no se siguen las instrucciones.

INSTRUCCIONES IMPORTANTES DE SEGURIDAD

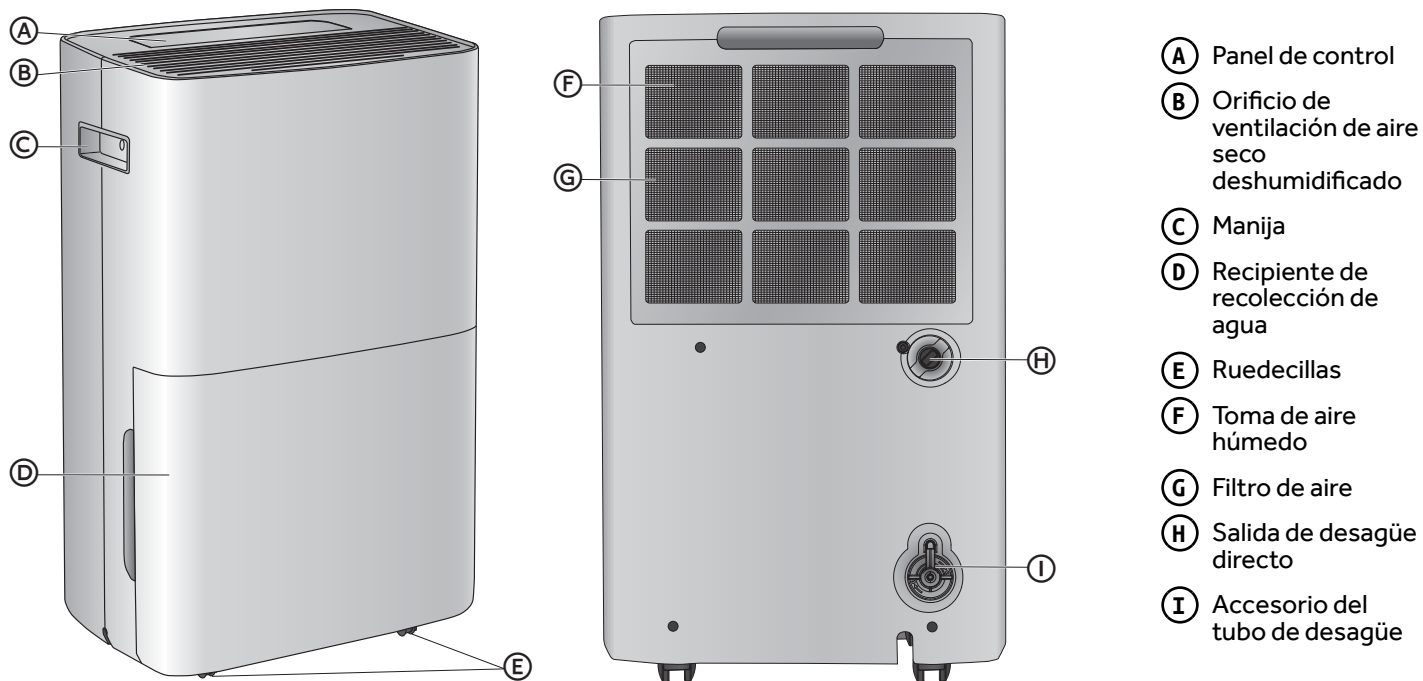
ADVERTENCIA: Para reducir el riesgo de incendio, choque eléctrico, lesiones a personas o daños al utilizar el deshumidificador, siga precauciones básicas, incluyendo las siguientes:

- Lea todas las instrucciones antes de usar este deshumidificador.
- Conecte a un contacto de pared de conexión a tierra de 3 terminales.
- No quite el terminal de conexión a tierra.
- No use un adaptador.
- No use un cable eléctrico de extensión.
- No ponga a funcionar el deshumidificador si tiene un cable o enchufe dañado, si no funciona correctamente o si se ha dañado o caído.
- El deshumidificador solo debe ser reparado por personal de servicio competente. Llame a la compañía de servicio técnico autorizada para su inspección, reparación o ajuste.
- Desconecte el suministro de energía antes de darle servicio técnico.
- Desconecte el suministro de energía antes de limpiarlo.
- No instale ni utilice el deshumidificador en áreas donde la atmósfera contenga gases combustibles o donde la atmósfera esté contaminada. Evite que cualquier producto químico entre en contacto con el deshumidificador.
- No almacene nada directamente encima del deshumidificador.
- Con la ayuda de dos o más personas, mueva e instale el deshumidificador.
- Nunca haga funcionar el deshumidificador si los filtros de aire no están colocados en su lugar.
- No utilice el acondicionado de aire cerca de una tina, ducha o lavabo ni otra zona húmeda.
- No beba el agua acumulada en el recipiente de recolección de agua.

NOTA: Si apaga la unidad presionando el botón Power (Encendido), esto NO desconecta el electrodoméstico del suministro de energía.

LEA Y GUARDE ESTAS INSTRUCCIONES

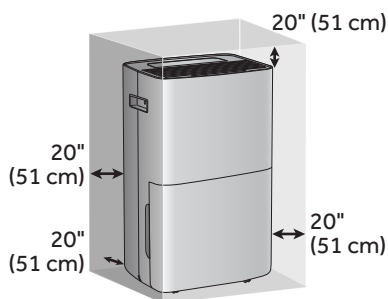
PIEZAS Y CARACTERÍSTICAS



REQUISITOS DE INSTALACIÓN

REQUISITOS DE UBICACIÓN

- Coloque el deshumidificador sobre una superficie plana y nivelada para evitar agitación, vibración y derrame de agua.
- La superficie debe ser lo suficientemente resistente para sostener al deshumidificador cuando el recipiente de recolección está lleno de agua.
- Mantenga un espacio mínimo de 8" (20 cm) alrededor del deshumidificador para disipar el calor de manera correcta.
- No coloque el deshumidificador en un área donde la temperatura puede ser inferior a 38 °F (3 °C). Las temperaturas más bajas pueden generar la acumulación de una capa de escarcha que reducirá el rendimiento.
- No exponga el deshumidificador a la luz directa del sol o cerca una fuente de calor como zócalos radiantes, estufas, etc.



- Mantenga el deshumidificador libre de obstrucciones como cortinas con pliegues, cortinas, persianas, etc.
- Mantenga todas las puertas y ventanas hacia el exterior cerradas cuando el deshumidificador esté en funcionamiento. El aire húmedo aumentará la carga de trabajo del deshumidificador.

REQUISITOS ELÉCTRICOS

⚠️ ADVERTENCIA



Peligro de Choque Eléctrico

Conecte a un contacto de pared de conexión a tierra de 3 terminales.

No quite el terminal de conexión a tierra del cable de alimentación.

No use un adaptador.

No use un cable eléctrico de extensión.

No seguir estas instrucciones puede ocasionar la muerte, incendio o choque eléctrico.

CABLE DE SUMINISTRO DE ENERGÍA

Requisitos de cableado

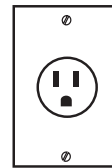
- Tomacorriente de 3 terminales con conexión a tierra de 115 voltios, 60 Hz, con fusibles de 15 amperios

- Se recomienda utilizar un fusible o un cortacircuitos retardador.
- Utilice solamente un circuito exclusivo.

NOTA: No utilice ningún otro electrodoméstico en este circuito; de lo contrario, se puede disparar el cortacircuitos/fusible.

MÉTODO DE CONEXIÓN A TIERRA REQUERIDO

Este deshumidificador debe estar conectado a tierra. El deshumidificador está equipado con un cable de suministro de energía que tiene un enchufe de tres terminales con conexión a tierra. El cable de suministro de energía deberá enchufarse en un tomacorriente apropiado de 3 terminales, conectado a tierra de acuerdo con todos los códigos y ordenanzas locales.



115 Voltios
15 Amperios

INSTRUCCIONES DE INSTALACIÓN

PASO 1 - DESEMPAQUE EL DESHUMIDIFICADOR

⚠️ ADVERTENCIA

Peligro de Peso Excesivo

Use dos o más personas para mover e instalar el acondicionador de aire.

No seguir esta instrucción puede ocasionar una lesión en la espalda u otro tipo de lesiones.

- Quite los materiales de empaque. Guarde la caja y el empaque de espuma para almacenar el deshumidificador cuando no esté en uso.

NOTA: NO hay materiales de empaque internos dentro del deshumidificador para quitar. No abra el gabinete.

- Deshágase adecuadamente de todos los materiales de empaque o recíclelos.
- Manipule el deshumidificador con cuidado.
- Mantenga el deshumidificador en posición vertical y nivelado. No coloque el deshumidificador de costado, sobre su parte frontal, su parte posterior o al revés.

PASO 2 - INSTALACIÓN DEL DESAGÜE DIRECTO

(Opcional)

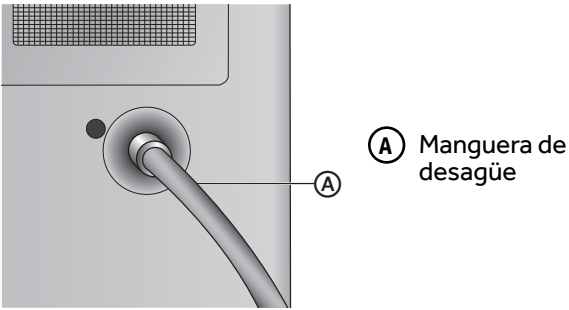
Si planea utilizar el deshumidificador continuamente y lo colocará cerca de un desagüe por el piso, como en un sótano, puede instalar un desagüe directo para evitar vaciar el recipiente de recolección de agua.

1. Desatornille y quite la cubierta del desagüe en la parte trasera del deshumidificador.
2. Quite el tapón de goma blanda. Coloque la cubierta del desagüe y el tapón en el recipiente de agua para mantenerlo seguro.

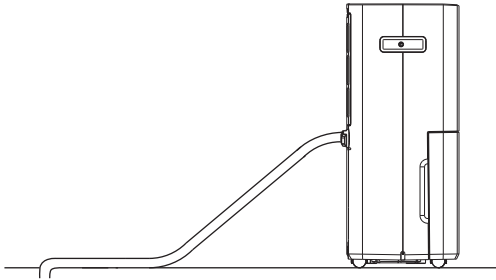


3. Conecte la manguera de desagüe (no incluida) a la conexión de desagüe de tipo manguera de jardín.

- (A) Tapón de goma
- (B) Cubierta del desagüe



- Haga descender la manguera de desagüe de forma horizontal hacia el desagüe.

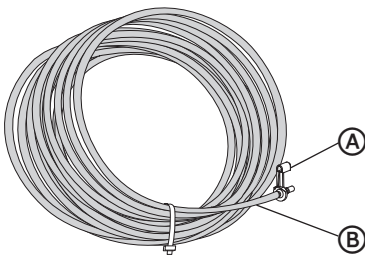


PASO 3 - INSTALE EL TUBO DE DESAGÜE A LA BOMBA DE DESAGÜE

(Opcional)

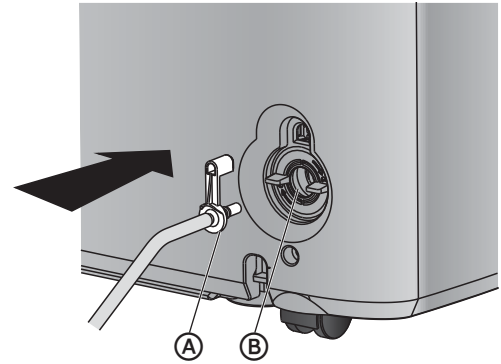
Si desea que el deshumidificador funcione de manera continua y este requiere una manguera más larga para llegar al desagüe del piso, o el desagüe se encuentra arriba del deshumidificador, conecte el tubo de desagüe de 16 pies (4,9 m) que posee el accesorio del tubo de desagüe (se incluye) con el conector de la bomba de desagüe en la parte posterior del deshumidificador. Cuando el nivel de agua dentro del recipiente de recolección alcance el nivel especificado, la bomba de desagüe bombeará automáticamente el agua hacia el desagüe.

- Quite el tubo de desagüe del recipiente de recolección de agua.



- (A) Conector de la bomba de desagüe
- (B) Tubo de desagüe (16 pies [4,9 m] de largo)

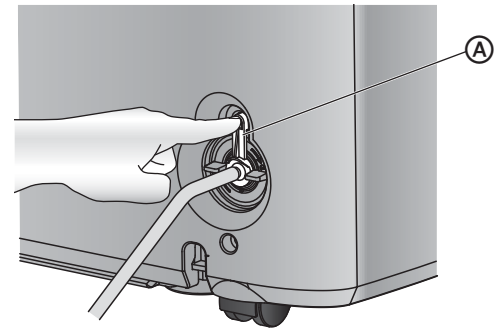
- Inserte el accesorio del tubo de desagüe en el conector de la bomba de desagüe, ubicado en la parte posterior del deshumidificador.



- (A) Conector de la bomba de desagüe
- (B) Accesorio del tubo de desagüe

- Empuje el accesorio del tubo de desagüe tanto como sea posible dentro del conector de la bomba de desagüe.

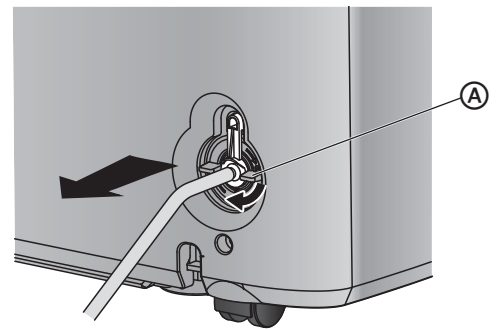
NOTA: Asegúrese de que el accesorio del tubo de desagüe haya encajado con firmeza en su lugar.



- (A) Conector de la bomba de desagüe

- Inserte el extremo opuesto del tubo de desagüe en el desagüe.
- Para quitar el tubo de desagüe, gire la perilla del conector de la bomba de desagüe 45° hacia la derecha mientras jala hacia afuera el accesorio del tubo de desagüe.

NOTA: El accesorio del tubo de desagüe se saldrá del conector de la bomba de desagüe.



- (A) Perilla del conector de la bomba de desagüe

PASO 4 - COMPLETE LA INSTALACIÓN

⚠ ADVERTENCIA



Peligro de Choque Eléctrico

Conecte a un contacto de pared de conexión a tierra de 3 terminales.

No quite el terminal de conexión a tierra del cable de alimentación.

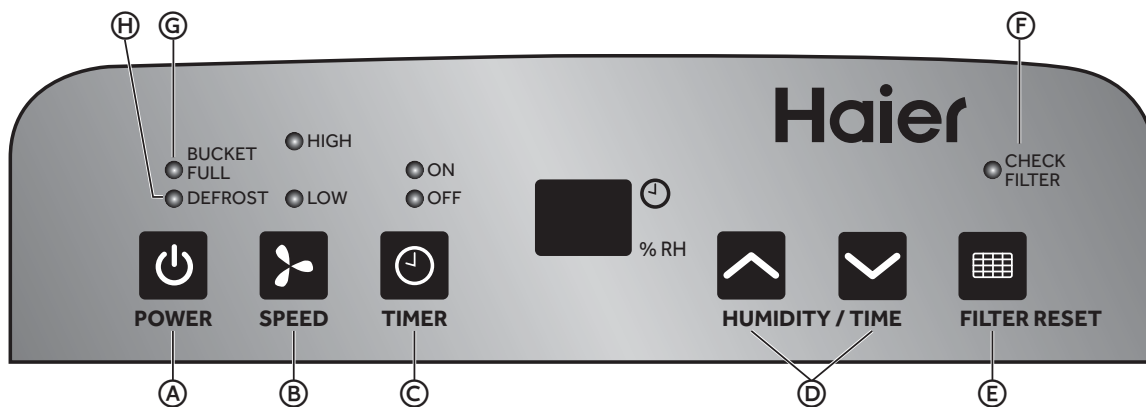
No use un adaptador.

No use un cable eléctrico de extensión.

No seguir estas instrucciones puede ocasionar la muerte, incendio o choque eléctrico.

1. Coloque el deshumidificador sobre una superficie firme y nivelada en una ubicación adecuada. Vea "Requisitos de ubicación".
2. Asegúrese de que el recipiente de recolección de agua esté colocado correctamente en el deshumidificador.
NOTA: Si se ilumina el indicador Bucket Full (Recipiente lleno), quítelo y verifique que la barra del flotador se mueva libremente.
3. Conecte el cable eléctrico a un tomacorriente de 3 terminales con conexión a tierra.

PANEL DE CONTROL



PANTALLA

Muestra la humedad actual de la habitación como porcentaje, o las horas restantes en la función Time Delay (Tiempo diferido). La luz indicadora correspondiente se encenderá.

BOTONES Y INDICADORAS

(A) BOTÓN POWER (ENCENDIDO)

- Presione el botón Power (Encendido/Apagado) para encender o apagar el deshumidificador.

NOTA: Si apaga la unidad presionando el botón Power (Encendido/Apagado), esto NO desconecta el electrodoméstico del suministro de energía.

(B) BOTÓN FAN SPEED (VELOCIDAD DEL VENTILADOR)

La velocidad del ventilador se puede ajustar de velocidad Low (Baja) a High (Alta).

- Presione el botón Fan Speed (Velocidad del ventilador) para alternar entre las dos velocidades. El indicador de velocidad del ventilador correspondiente se iluminará.

(C) BOTÓN TIMER (TEMPORIZADOR)

Encendido/Apagado automático

Programa un tiempo desde (1 hora a 24 horas) para que el deshumidificador se apague o se encienda. Cuando se programa una puesta en marcha diferida, la luz indicadora de Timer ON (Temporizador encendido) se iluminará.

Mientras el deshumidificador está en funcionamiento:

1. Presione el botón Timer (Temporizador).
2. Presione los botones con flecha hacia arriba/flecha hacia abajo para seleccionar la cantidad de horas que desea que el deshumidificador continúe funcionando antes de apagarse.

NOTA: Después de mostrar el tiempo, la pantalla volverá a mostrar la humedad actual después de 10 segundos.

Mientras el deshumidificador está apagado:

1. Presione el botón Timer (Temporizador).
2. Presione los botones con flecha hacia arriba/flecha hacia abajo para seleccionar la cantidad de horas que desea que el deshumidificador continúe apagado antes de encenderse.

NOTA: Después de mostrar el tiempo, la pantalla volverá a mostrar la humedad actual después de 10 segundos.

Para cancelar el temporizador:

- Presione el botón Timer (Temporizador) una vez, las horas restantes destellarán, presione el botón Timer (Temporizador) de nuevo y el temporizador se cancelará.

(D) BOTONES Humidity/Time (Humedad/Tiempo) (Flecha hacia arriba y flecha hacia abajo)

Permite ajustar la humedad o las horas en tiempo diferido.

Para ajustar el nivel de humedad:

La humedad se puede fijar entre el 30 % de humedad relativa (HR) y el 90 % de HR. La humedad se puede ajustar en incrementos del 5% cada vez que se presiona un botón.

- Presione los botones de flecha hacia arriba y flecha hacia abajo para seleccionar la humedad relativa (HR) deseada.

NOTA: Después de fijar el nivel de humedad, la pantalla volverá a mostrar la humedad actual después de 10 segundos.

(E) Botón Filter Reset (Volver a fijar el filtro)

- Presione este botón para volver a fijar el temporizador del filtro de aire y apagar el indicador Check Filter (Verificación del filtro).

(F) Estado del filtro

Después de 250 horas de funcionamiento, se iluminará la luz indicadora de filtro para recordarle limpiar el filtro de aire. Limpie el filtro de aire. Vea "Limpieza".

(G) Bucket Full (Recipiente lleno)

Cuando el recipiente de recolección de agua está lleno, se iluminará el indicador para recordarle que debe vaciarlo.

(H) Defrost (Descongelación)

Cuando la temperatura ambiente es baja, el deshumidificador ingresa a modo de descongelación y se ilumina el indicador.

USO DEL DESHUMIDIFICADOR

IMPORTANTE: Si el deshumidificador se ha inclinado hacia un lado, espere 24 horas antes de encender el deshumidificador a fin de permitir que el aceite vuelva al compresor. Esto evitará que el deshumidificador falle antes de tiempo.

- Deje 20" (51 cm) de espacio alrededor de la unidad para permitir una circulación adecuada de aire.
- No haga funcionar el deshumidificador si los filtros de aire no están colocados en su lugar.
- No derrame líquido en el panel de control; puede causar un cortocircuito a las piezas electrónicas del interior que lo desactivaría o haría que funcione incorrectamente.
- Cuando la unidad funciona en condiciones de alta humedad, es posible que usted tenga que vaciar periódicamente el tanque de agua.
- Cuando el recipiente de recolección de agua está lleno, el deshumidificador se detendrá automáticamente. El indicador Bucket Full (Recipiente lleno) se iluminará para avisarle acerca de esta condición. Vacíe el recipiente de recolección de agua. Vea "Limpieza".

- Después de colocar correctamente el recipiente de recolección de agua vacío, el deshumidificador se volverá a encender y funcionará con normalidad.

MODO DEFROST (DESCONGELACIÓN)

- Si el deshumidificador funciona a temperaturas inferiores a 54 °F (12 °C), pero superiores a 41 °F (5 °C), se podría acumular una capa de escarcha sobre la superficie del evaporador, que podría reducir la eficiencia del deshumidificador. Por eso, el deshumidificador ingresará en modo de descongelación periódica. El tiempo de descongelación podría variar. Si el deshumidificador se congela, apáguelo desde el suministro de energía y vuelva a encenderlo.

NOTA: Si la temperatura ambiente se mantiene por debajo de 41 °F (5 °C), se debe apagar el deshumidificador.

CUIDADO DEL DESHUMIDIFICADOR

⚠ ADVERTENCIA



Peligro de choque eléctrico

Desconecte el suministro de energía antes de limpiarlo.
No seguir esta instrucción puede ocasionar la muerte o choque eléctrico.

LIMPIEZA

1. Desenchufe el deshumidificador o desconecte el suministro de energía.
2. Utilice solamente un paño suave humedecido con agua para limpiar el gabinete.

NOTA:

- No utilice un limpiador líquido o con rociador para limpiar el deshumidificador.
- No lo lave con manguera ni lo sumerja en agua.
- NO utilice productos químicos, abrasivos, amoníaco, blanqueador con cloro, detergentes concentrados, solventes o estropajos de metal. Algunos de estos artículos/productos químicos pueden dañar y/o decolorar su deshumidificador.

3. Seque con un paño suave.
4. Enchufe o vuelva a conectar el suministro de energía.

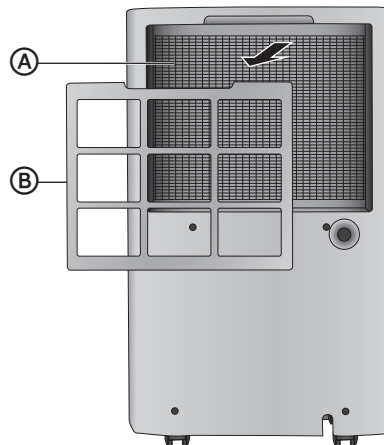
FILTROS DE AIRE

El deshumidificador contiene un filtro de aire extraíble ubicado en la parte trasera de la unidad detrás de la rejilla de toma de aire húmedo.

IMPORTANTE: NO utilice el deshumidificador si los filtros de aire no están colocados en su lugar.

1. Desenchufe o desconecte el suministro de energía.
2. Jale de las lengüetas para deslizar los filtros de la parte posterior del deshumidificador.

NOTA: Los filtros secundarios son accesibles una vez que se quitan los filtros principales.



- (A) Filtro de aire
- (B) Rejilla de toma de aire húmedo

3. Lave o aspire el polvo de los filtros de aire.
NOTA: Si se lavan, agite suavemente el filtro para eliminar el exceso de agua y las partículas de polvo atrapadas en el filtro.
4. Vuelva a instalar los filtros.
5. Enchufe o vuelva a conectar el suministro de energía.

RECIPIENTE DE RECOLECCIÓN DE AGUA

⚠ ADVERTENCIA

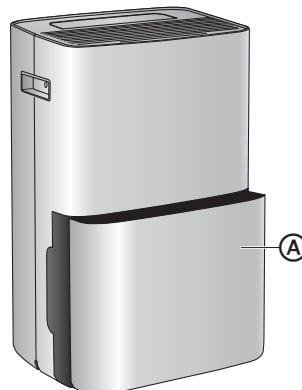
Peligro de enfermedad

No beba el agua acumulada en el recipiente de agua.
Si lo hace, podría derivar en una enfermedad.

El indicador Bucket Full (Recipiente lleno) se ilumina cuando el recipiente de recolección de agua se llena de agua.

Para vaciar el recipiente de recolección de agua:

1. Desenchufe el deshumidificador o desconecte el suministro de energía.
2. Con las dos manos, deslice lentamente el recipiente de recolección de agua de la parte delantera del deshumidificador.



- (A) Recipiente de recolección de agua

3. Vacíe el recipiente de recolección de agua.

4. Vuelva a colocar el recipiente de recolección de agua en el deshumidificador.
5. Enchufe o vuelva a conectar el suministro de energía.

2. Desagüe el agua del tanque de agua. Vea "Cuidado del deshumidificador".
3. Utilice el empaque original para volver a empacar la unidad y evitar acumulación de polvo o suciedad.
4. Guarde el deshumidificador en un lugar fresco y seco.

ALMACENAMIENTO

Si la unidad no se utiliza durante un período prolongado de tiempo:

1. Desenchufe el deshumidificador o desconecte el suministro de energía.

SOLUCIÓN DE PROBLEMAS

Pruebe las soluciones sugeridas aquí y posiblemente se evite el gasto de una visita de servicio técnico.

PROBLEMA	POSIBLE(S) CAUSA(S)	SOLUCIÓN
La unidad no se pone en marcha ni funciona	El cable de suministro de energía no está enchufado en un tomacorriente.	Conecte el deshumidificador en un tomacorriente de 3 terminales con conexión a tierra.
	El botón Power (Encendido) no se ha presionado.	Presione el botón Power (Encendido) en el panel de control o el control remoto para ENCENDER el deshumidificador.
	El tomacorriente eléctrico no recibe suministro eléctrico.	Enchufe una lámpara de trabajo en el tomacorriente para verificar si hay energía.
	Se ha fundido un fusible de la casa o se ha disparado un cortacircuitos.	Reemplace el fusible o repositone el cortacircuitos.
	El control fue programado para un tiempo diferido.	Cancele el tiempo diferido. Vea "Panel de control".
	Las pilas del control remoto están agotadas.	Reemplace las pilas.
	El recipiente de agua está lleno. NOTA: El deshumidificador se apaga automáticamente y el indicador Bucket Full (Recipiente lleno) se ilumina para avisarle acerca de esta condición.	Vacíe el recipiente de agua. Vea "Cuidado del deshumidificador".
El deshumidificador está en funcionamiento, pero la habitación aún está húmeda.	La habitación está húmeda. NOTA: En días muy calurosos y húmedos, el deshumidificador necesitará más tiempo para deshumidificar la habitación.	Cuando enciende la unidad por primera vez, dele tiempo para quitar la humedad de la habitación. Asegúrese de que el deshumidificador tenga una categoría de BTU (Unidad Térmica Británica) adecuada para el tamaño de la habitación que desea enfriar.
	El flujo de aire ha disminuido.	Quite los obstáculos que bloquean el flujo de aire y redirija el flujo de aire para lograr un enfriamiento uniforme.
	El nivel de HR configurado es demasiado alto	Baje el nivel de humedad fijado.
	Los filtros de aire están sucios u obstruidos.	Limpie el filtro de aire. Vea "Cuidado del deshumidificador".
	Las puertas y las ventanas están abiertas.	Cierre las puertas y las ventanas de la habitación que desea enfriar para evitar que el aire enfriado se escape.

SI NECESITA MÁS AYUDA, VISITE HAIERAMERICA.COM O COMUNÍQUESE CON LA LÍNEA DE AYUDA AL CONSUMIDOR LLAMANDO AL 1-877-337-3639.

GARANTÍA LIMITADA

SERVICIO EN EL HOGAR

GARANTÍA COMPLETA POR UN AÑO

12 meses en partes, mano de obra y sistema sellado

Durante 12 meses a partir de la fecha de compra original en la tienda, Haier reemplazará cualquier pieza del aparato sin costo si la misma falla debido a defectos en los materiales o en la mano de obra.

Haier puede reemplazar, a su sola discreción, cualquier pieza, subsistema, incluso el producto entero.

GARANTÍA LIMITADA

NOTA: Esta garantía comienza en la fecha de compra de este producto, y el recibo original deberá presentarse al representante autorizado de servicio.

Excepciones: Garantía uso comercial

90 días en las piezas a partir de la fecha de compra original

No es aplicable ninguna otra garantía.

PARA OBTENER SERVICIO BAJO LA GARANTÍA

Todas las partes deben ser proporcionados por un centro de servicio autorizado por Haier. Para obtener el nombre y el número de teléfono del centro de servicio autorizado más cercano, llame al 1-877-337-3639.

Antes de llamar, tenga a mano la siguiente información:

Número de modelo y de serie del aparato. El nombre y la dirección del distribuidor en donde compró la unidad y la fecha de compra.

Una descripción clara del problema.

Un comprobante de compra (recibo de compra).

Esta garantía cubre servicios para electrodomésticos dentro de los Estados Unidos continental y Canadá y donde esté disponible en Alaska, Hawaii y Puerto Rico.

Lo que no está cubierto bajo esta garantía:

Reemplazo o reparación de fusibles domésticos, cortacircuitos, cableado o plomería.

Un producto cuyo número de serie original haya sido removido o alterado.

Cualquier cargo por servicio que no haya sido identificado específicamente como servicio normal, como puede ser el área o las horas de servicio.

Daños ocurridos durante el transporte.

Daños ocasionados por la instalación o el mantenimiento inadecuados.

Daños por el uso incorrecto, abuso, accidente, incendio, inundación o fenómenos de la naturaleza.

Daños debidos al servicio efectuado por un distribuidor o centro de servicio que sea diferente del autorizado por Haier.

Daños ocasionados por la corriente, el voltaje o el suministro eléctrico incorrectos.

Daños que resulten de cualquier modificación hecha en el producto, alteración o ajustes no autorizados por Haier.

Ajuste de los controles manejados por el cliente según han sido identificados en el manual del propietario.

Cargos por mano de obra, transporte para el servicio y envío para la remoción y el reemplazo de las piezas defectuosas que se efectúen después del período inicial de 12 meses.

Daños ocasionados por un uso diferente al doméstico normal.

Cualquier gasto de transporte y de envío.

ESTA GARANTÍA LIMITADA REEMPLAZA TODAS LAS OTRAS GARANTÍAS, EXPRESAS O IMPLÍCITAS QUE INCLUYAN, ENTRE OTRAS, LAS GARANTÍAS DE COMERCIALIZACIÓN O DE CAPACIDAD PARA UN PROPÓSITO EN PARTICULAR.

El recurso provisto en esta garantía es exclusivo y está otorgado en lugar de cualquier otro recurso.

Esta garantía no cubre daños incidentales o consecuentes, de modo que las limitaciones indicadas anteriormente pueden no aplicarse en su caso. Algunos estados no permiten las limitaciones acerca de cuánto tiempo dura una garantía implícita, de modo que las limitaciones arriba indicadas quizás no le correspondan.

Esta garantía le otorga derechos legales específicos, y es posible que usted tenga otros derechos, los cuales varían de un estado a otro.

Haier America
Wayne, NJ 07470

INFORMACIÓN A TENER EN CUENTA

Le agradecemos la compra de este producto de marca Haier. Este manual para el usuario le ayudará a obtener el mejor funcionamiento de su nueva deshumidificador.

Para referencia futura, anote el modelo y número de serie en la etiqueta en el lado de su deshumidificador, y la fecha de compra.

Engrape la prueba de compra a este manual para asistirle cuando necesite obtener servicio bajo la garantía.

Número de modelo

Número de serie

Fecha de compra

IMPORTANT

Do Not Return This Product To The Store
If you have a problem with this product, please contact the
"Haier Customer Satisfaction Center" at
1-877-337-3639.

DATED PROOF OF PURCHASE, MODEL #, AND SERIAL #
REQUIRED FOR WARRANTY SERVICE

IMPORTANT

Ne pas Réexpédier ce Produit au Magasin
Pour tout problème concernant ce produit, veuillez contacter
le service des consommateurs "Haier Customer Satisfaction Center" au
1-877-337-3639.

UNE PREUVE D'ACHAT DATEE EST REQUISE POUR BENEFICIER DE LA GARANTIE.

IMPORTANTE

No regrese este producto a la tienda
Si tiene algún problema con este producto, por favor contacte el
"Centro de Servicio al Consumidor de Haier" al
1-877-337-3639 (Válido solo en E.U.A).
NECESITA UNA PRUEBA DE COMPRA FECHADA, NÚMERO DE MODELO
Y DE SERIE PARA EL SERVICIO DE LA GARANTÍA

Made in China
Fabriqué en Chine
Hecho en China

Haier

Haier America
Wayne, NJ 07470

Printed in China