

Safety Precautions

Read all safety precautions and installation instructions carefully before installing or servicing this fixture. Failure to comply with these instructions could result in potentially fatal electric shock and/or property damage.

It is recommended that a qualified electrician perform all wiring. This fixture must be wired in accordance with all national and local electrical codes.

Do not handle any energized fixture or attempt to energize any fixture with wet hands or while standing on a wet or damp surface or in water.

This fixture is designed for use in a 110-120VAC, 60Hz fused circuit. Do not use on a dimming circuit.

To reduce the risk of electrical shock, and to assure proper operation, this fixture must be adequately grounded. To accomplish proper grounding, there must be a separate ground wire (green) contact between this fixture and the ground connection of your main power supply panel.

This fixture is intended to be used for general outdoor lighting in dry or damp locations only.

Assembly Instructions

1. Preparing for installation

- Disconnect electrical power before installing or servicing any part of this fixture.
- Remove fixture from cartoning; remove parts bag and diffuser (2).

2. Wiring.

All wiring must take place inside junction box.

Caution: Make sure power is off at fuse or circuit breaker box. Check power wires for damage or scrapes. If power supply wires are within three inches of ballast use wire suitable for at least 90C (194F). **Note:** Most dwellings built before 1985 have supply wire rated to 60C. Consult a qualified electrician before installing.

- This unit will not operate properly unless connected to a "grounded" electrical circuit. Electrical shock, over heating, low or no light output, and shortened lamp life can result if proper grounding is not done. Securely attach green (or green and yellow) wire to ground supply wire.
- Using wire connectors (provided), connect white supply wire to white ballast lead. Connect black hot supply wire to black ballast lead. **Do not mix wires.** Pull on each wire lead to make sure connections are secure. Make certain no bare wires are exposed outside of wire connectors.

3. Mounting.

- Junction Box mounting; Attach fixture channel (6) directly to Junction box through eyelet holes (7) with two #8 -32 screws. (Provided). Additional holes are supplied in channel for fixture mounting support.

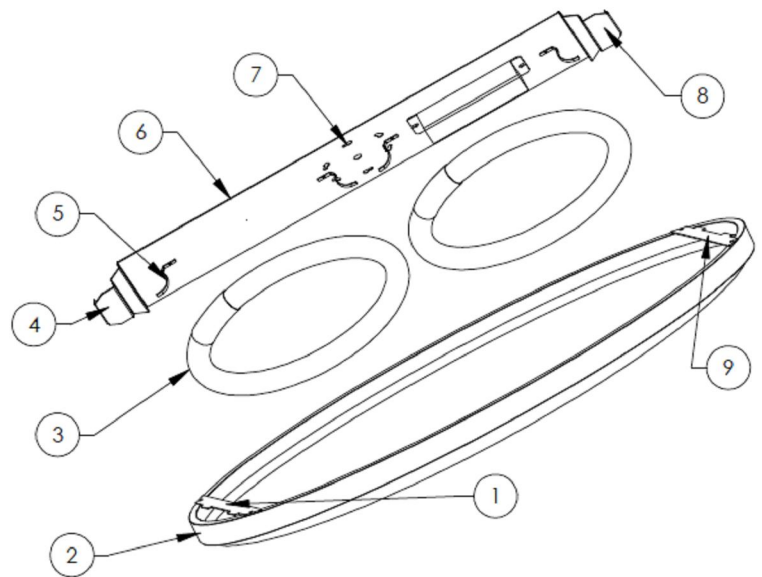
4. Lamps

- Install lamps (3) (not included) around two clips (5) and connect sockets to contact prongs on lamps.

5. Diffuser mounting.

- Slide the diffuser (2) at an angle position with the diffuser end bracket (9) goes on top of fixture channel (6) mounting end (8) and lift & shift over the diffuser (2) other end bracket (1) that sets on top by gravity of the channel fixture end (4).

6. Power to the fixture can now be restored.



Limited Factory Warranty

American Fluorescent Corporation warrants this fixture is free from defects in materials and workmanship when installed and used under normal operating conditions for a period of 2 years from date of purchase. This warranty covers all component parts and extends only to replacement of defective fixture or components; it does not cover failure due to improper installation, misuse, mishandling or damage incurred in transit