



MUSTEE
Preferred by the "Pros"

12 UTILATUB® Floor Mount Laundry/Utility Tubs — Economy — Extra Narrow

SEE PAGE 2 FOR A LIST OF ACCESSORIES!

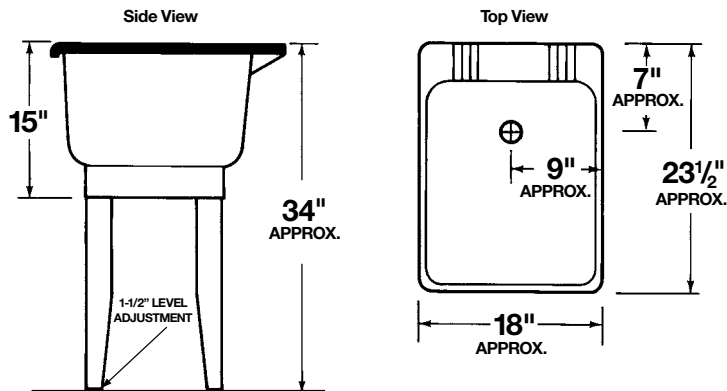


Design features:

- One piece molded construction, using Mustee's Co-Polypure™ resin
- Extra narrow – just 18" wide – fits where other tubs can't
- 15 Gallon capacity, extra deep 13" tub with smooth surface
- Leakproof, integrally molded-in drain with stopper
- Connects to standard 1½" P or S trap
- Accommodates dual-handle faucet with 4" center
- Includes finished steel legs with adjustable levelers
- Mold and mildew-resistant components
- Easy to assemble and install
- Color-fast white finish

Specifications

Colors & Models:	Model	Mounting	H x W x D	UPC
White	12	Floor	34" x 18" x 23-1/2"	6 71031 00007 1



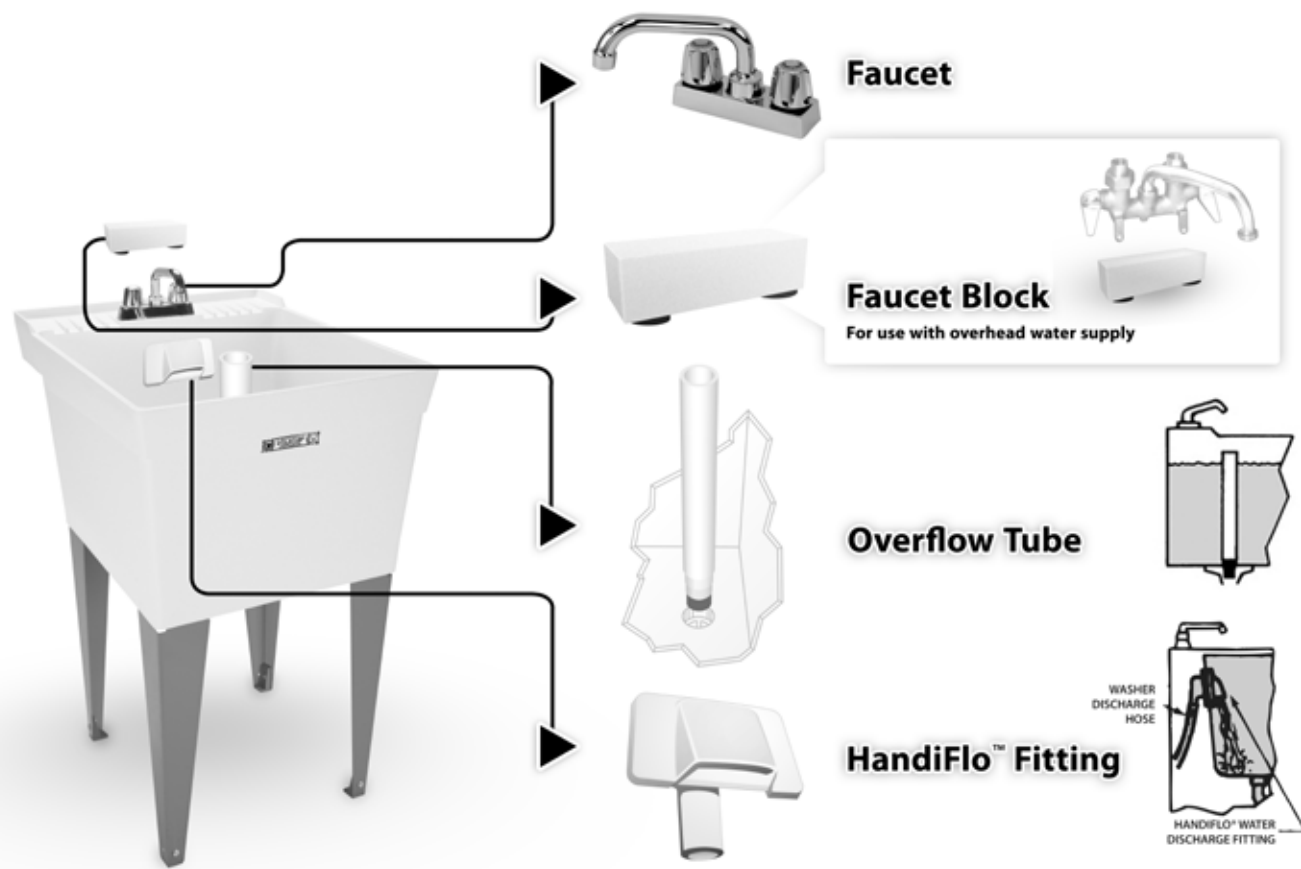
General: Furnish and install as shown on plans, UTILATUB® Laundry/Utility Tub model 12, as manufactured by E.L. Mustee & Sons, Inc. Tub shall be one-piece molded construction using Co-Polypure™ resin with matched metal molds under extreme heat and pressure. Tub to be 18" wide and include integrally molded drain assembly for connection to standard 1-1/2" P or S-trap, stopper and finished steel legs with built-in levelers. 15 gallon capacity tub, 13" deep. Shall meet ANSI Specification Z 124.6. Color: White. Weight: 15 lbs.



MUSTEE

E.L. Mustee & Sons, Inc. • 5431 West 164th Street • Brook Park, OH 44142 • Phone: 216.267.3100 • Fax: 216.267.9997
E-mail: info@mustee.com • Web: www.mustee.com • Proudly made in the USA

Notice: Our continuous commitment to product improvement may result in changes to product specifications without notice. Patents pending. Made and Printed in U.S.A.



► **Faucet**



Model No.

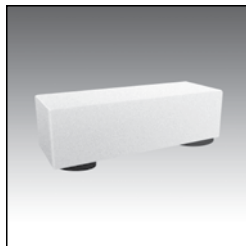
93.600

UPC

6 71031 00232 7

Chrome finish, 4" center set brass faucet. 6" swing spout with aerator, level handles, replaceable seats and stems. Aerator or hose end.

► **Faucet Block**



Model No.

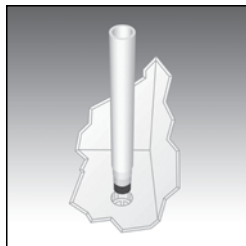
20.600

UPC

6 71031 00031 6

Used when water supply lines are above the tub. Mounts to tub shelf when using a clamp-on faucet.

► **Overflow Tube**



Model No.

27.600C

UPC

6 71031 00056 9

Put into drain opening to maintain water level in laundry tub and help prevent overflows. Replaces drain plug and eliminates reaching into waste water. 12-3/8" height, may be cut to adjust height, fits all standard drain openings.

► **HandiFlo™ Fitting**



Model No.

94.700

UPC

6 71031 00287 7

Dispenses water from washing machine discharge hose into laundry tub. Eliminates draping washer machine hose over back/side wall of laundry tub and conceals discharge hose. Mounts to back or side wall of laundry tub, includes mounting hardware.

