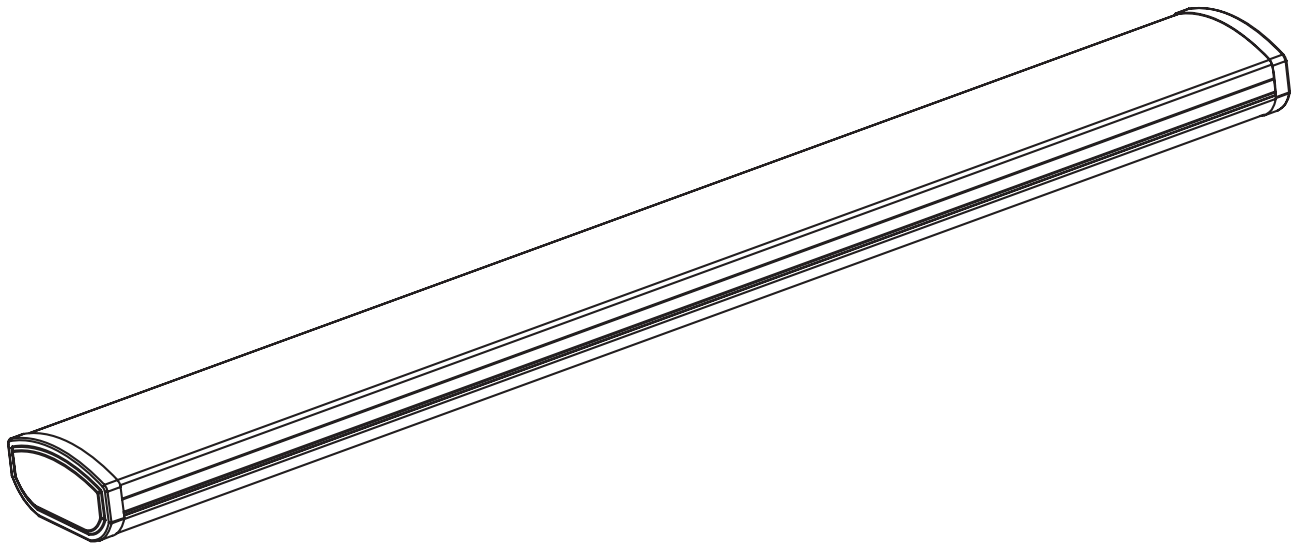


USE AND CARE GUIDE

4 FT. LED WRAP LIGHT WITH MOTION SENSOR



Questions, problems, missing parts? Before returning to the store,
call Commercial Electric Customer Service
8 a.m. - 7 p.m., EST, Monday - Friday
9 a.m. - 6 p.m., EST, Saturday

1-877-527-0313

HOMEDEPOT.COM




THANK YOU


We appreciate the trust and confidence you have placed in Commercial Electric through the purchase of this LED light. We strive to continually create quality products designed to enhance your home. Visit us online to see our full line of products available for your home improvement needs. Thank you for choosing Commercial Electric!


Table of Contents

Table of Contents	2	Package Contents	4
Safety Information	2	Hardware Included	4
Warranty	2	Installation	5
Pre-Installation	3	Adjusting the Motion Sensor	8
Planning Installation	3	Care and Cleaning	8
Tools Required	3	Troubleshooting	9

Safety Information

 **WARNING:** Carefully read and understand the information given in this manual before beginning the assembly and installation. Failure to do so could lead to electric shock, fire, or other injuries which could be hazardous or even fatal.

 **WARNING:** Ensure the electricity to the wires you are working on is shut off. Either remove the fuse or turn off the circuit breaker.

 **WARNING:** Changes or modifications not expressly approved by the party responsible for compliance could void the user's authority to operate the equipment.

NOTICE: This equipment has been tested and found to comply with the limits for a Class B digital device, pursuant to Part 15B of the FCC Rules. These limits are designed to provide reasonable protection against harmful interference in a residential installation. This equipment generates, uses and can radiate radio frequency energy and, if not installed and used in accordance with the instructions, may cause harmful interference to radio communications. However, there is no guarantee that interference will not occur in a particular installation. If this equipment does cause harmful interference to radio or television reception, which can be determined by turning the equipment off and on, the user is encouraged to try to correct the interference by one or more of the following measures:

- Reorient or relocate the receiving antenna.
- Increase the separation between the equipment and the receiver.
- Connect the equipment into an outlet on a circuit different from that to which the receiver is connected.
- Consult the dealer or an experienced radio/TV technician for help.

Warranty

WHAT IS COVERED

The manufacturer warrants this lighting fixture to be free from defects in materials and workmanship for a period of five (5) years from date of purchase. This warranty applies only to the original consumer purchaser and only to products used in normal use and service. If this product is found to be defective, the manufacturer's only obligation, and your exclusive remedy, is the repair or replacement of the product at the manufacturer's discretion, provided that the product has not been damaged through misuse, abuse, accident, modifications, alterations, neglect, or mishandling.

WHAT IS NOT COVERED

This warranty shall not apply to any product that is found to have been improperly installed, set-up, or used in any way not in accordance with the instructions supplied with the product. This warranty shall not apply to a failure of the product as a result of an accident, misuse, abuse, negligence, alteration, faulty installation, or any other failure not relating to faulty material or workmanship. This warranty shall not apply to the finish on any portion of the product, such as surface and/or weathering, as this is considered normal wear and tear.

The manufacturer does not warrant and specifically disclaims any warranty, whether express or implied, of fitness for a particular purpose, other than the warranty contained herein. The manufacturer specifically disclaims any liability and shall not be liable for any consequential or incidental loss or damage, including but not limited to any labor / expense costs involved in the replacement or repair of said product.

Contact the Customer Service Team at 1-877-527-0313 or visit www.HomeDepot.com

Pre-Installation

PLANNING INSTALLATION

Before beginning assembly, installation or operation of product, make sure all parts are present. Compare parts with the package contents list. If any part is missing or damaged, do not attempt to assemble, install or operate the product. Contact customer service for replacement parts.



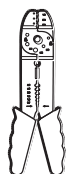
NOTE: Keep your receipt and these instructions for proof of purchase.

If you are unfamiliar with electrical installations, we recommend you contact a qualified electrician to do the installation.



NOTE: Two people are recommended for the installation of this light fixture.

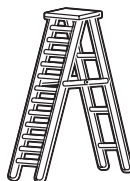
TOOLS REQUIRED



Wire Strippers



Safety Goggles



Ladder



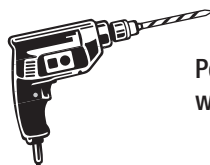
Gloves



Flathead Screwdriver



Phillips Screwdriver



Power Drill with drill bits

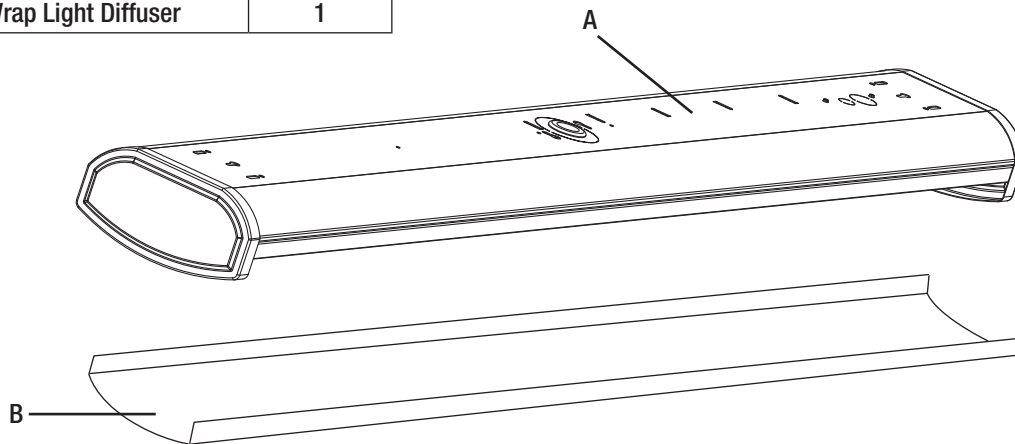


Wire Cutters


Pre-Installation (continued)

PACKAGE CONTENTS

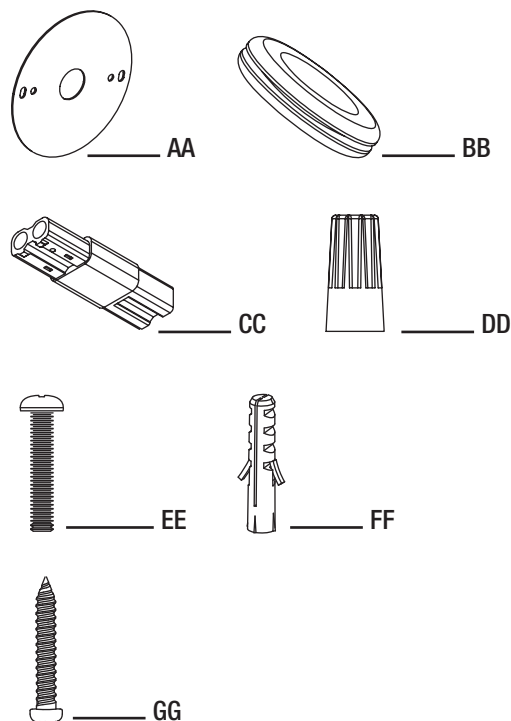
Part	Description	Quantity
A	LED Wrap Light Housing	1
B	LED Wrap Light Diffuser	1



HARDWARE INCLUDED

 **NOTE:** Hardware not shown to actual size.

Part	Description	Quantity
AA	Mounting Bracket	1
BB	Gasket	1
CC	Double Wire Connector	1
DD	Single Wire Connector	1
EE	Electrical Box Screw	2
FF	Drywall Anchor	2
GG	Mounting Screw	2



Installation

Select a suitable location that can support the weight of the fixture. Determine the method of mounting before drilling.

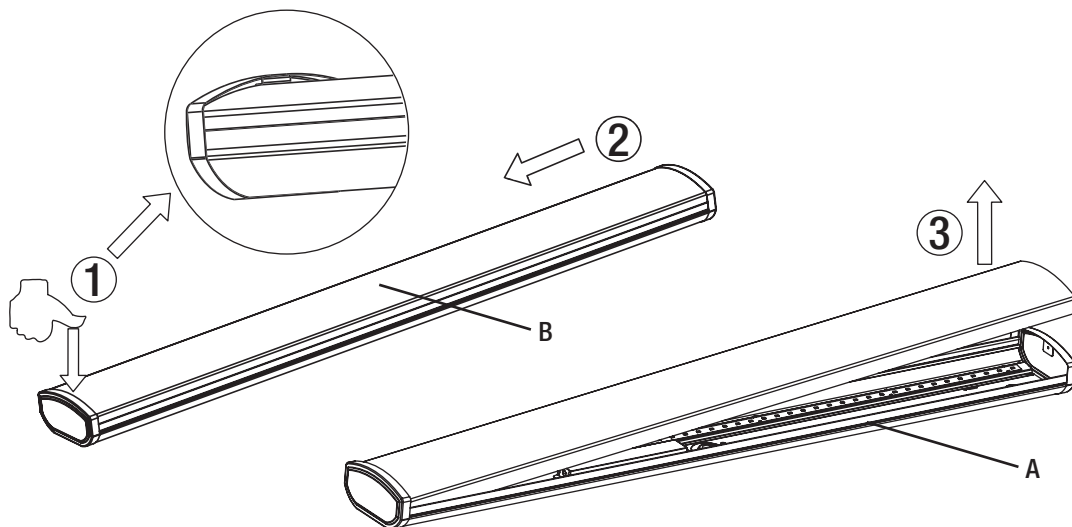


WARNING: RISK OF ELECTRIC SHOCK. Ensure the electricity to the wires you are working on is shut off. Either remove the fuse or turn off the circuit breaker before removing the existing light fixture or installing the new one.

With power disconnected to your electrical box, remove the existing fixture. Make a sketch of how the current fixture is wired (by wire color) or mark the wires with masking tape and a pencil so you will know how to properly reconnect the wires to the new LED light fixture.

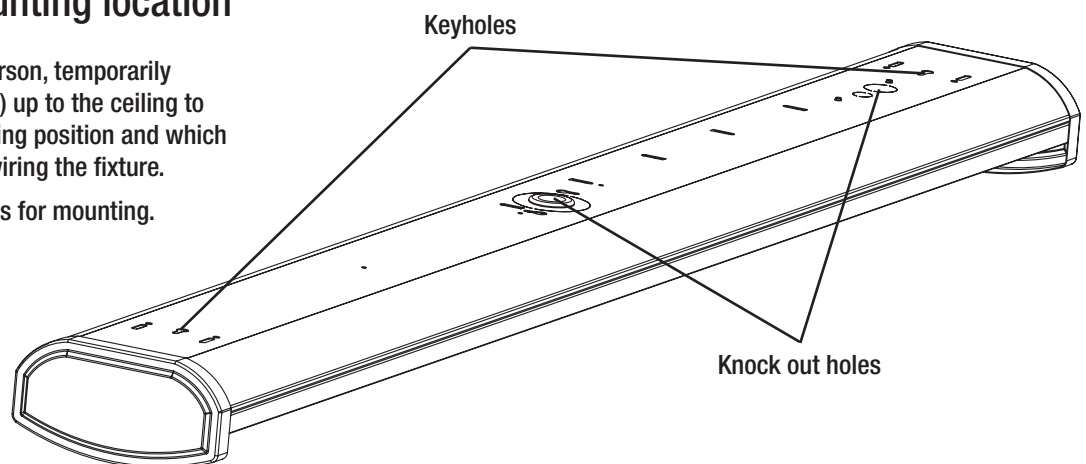
1 Separating the diffuser from the housing

- Press down gently on one end of the diffuser (B) until you meet with resistance from the bottom of the end cap of the housing (A).
- Slide the diffuser (B) toward the end being pressed down.
- Lift the diffuser (B) from the other end, removing it from the housing (A).



2 Marking the mounting location

- With help from another person, temporarily hold the fixture housing (A) up to the ceiling to determine the best mounting position and which knockout hole to use for wiring the fixture.
- Mark two keyhole locations for mounting.



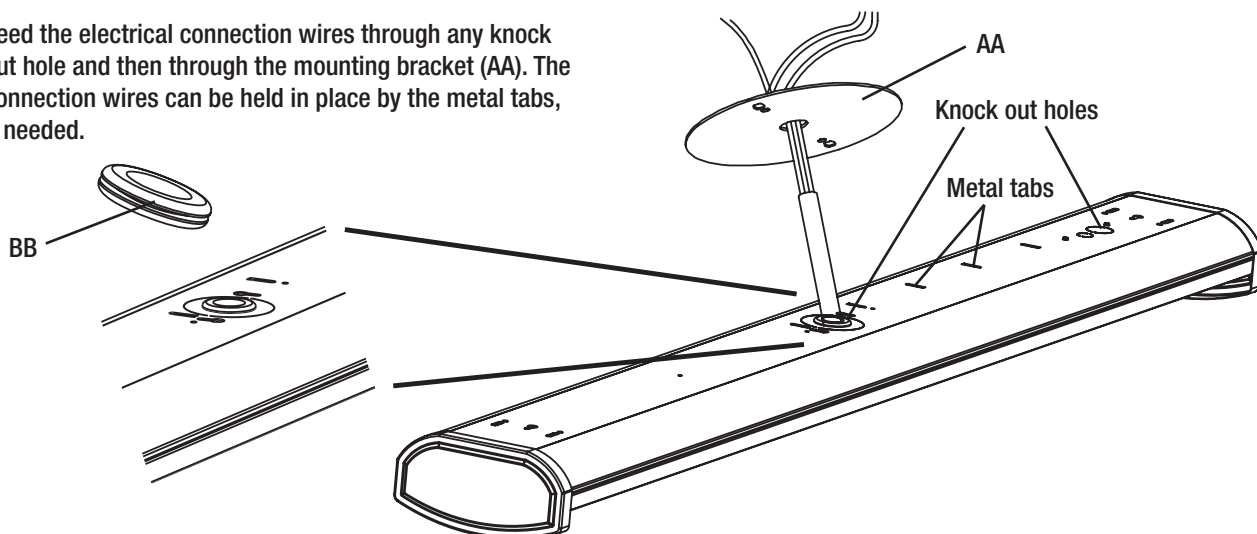
Installation (continued)

3 Feeding the wires



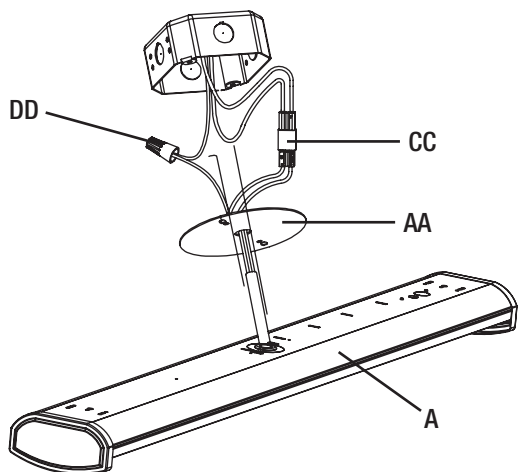
NOTE: Put the gasket (BB) on any knock out hole of the fixture to better protect the wires.

- Feed the electrical connection wires through any knock out hole and then through the mounting bracket (AA). The connection wires can be held in place by the metal tabs, if needed.



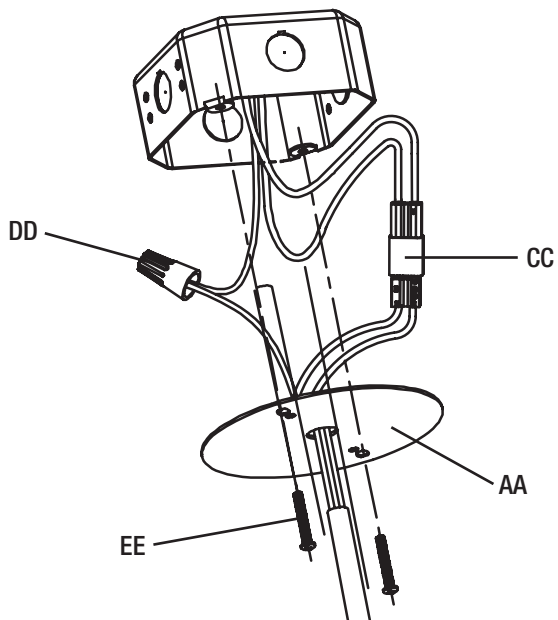
4 Making the electrical connections

- Connect the hot and neutral (black and white) wires from the housing (A) to the same color wires from the electrical box.
- Cover the wire connection using the double wire connector (CC).
- Connect the green wire from the housing (A) to the grounding wire from the electrical box. Secure together using a single wire connector (DD).



5 Attaching the mounting bracket to the electrical box

- Position the wires back inside the electrical box.
- Mount the mounting bracket (AA) to the electrical box using the two electrical box screws (EE).



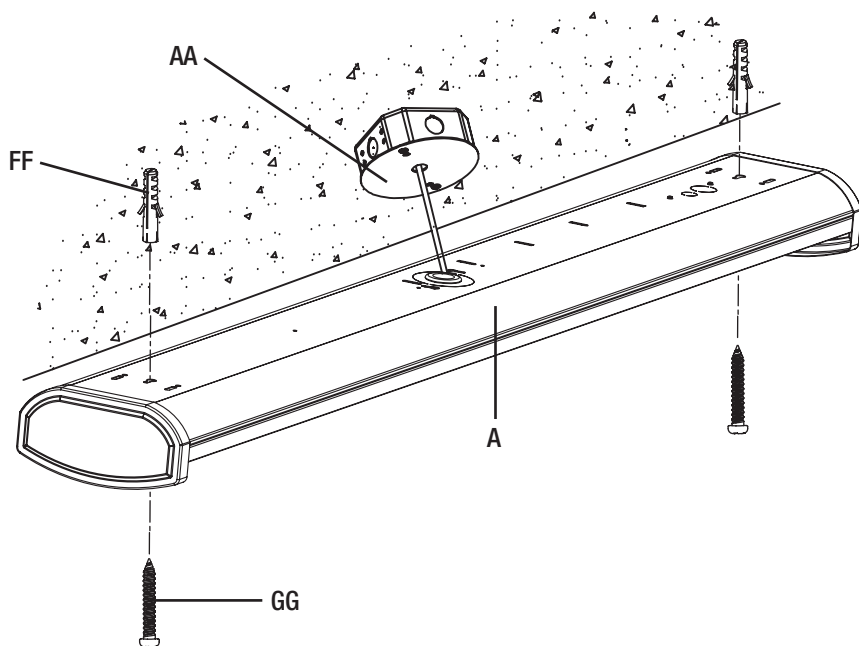
Installation (continued)

6 Attaching the housing to the ceiling

- Drill a 1/8 in. pilot hole into the screw locations marked on the ceiling. You can also use an awl or nail to dimple the screw holes.
- Install a drywall anchor (FF) and a mounting screw (GG) in each drilled mounting hole, but do not tighten fully.
- Align the 2 mounting keyholes on the housing (A) with the 2 mounting screws in the ceiling. Once both screw heads are through the large ends of the keyholes, slide the housing until the heads of the screws slide into the narrow ends of the keyholes.
- Finish tightening the mounting screws (GG) until the fixture housing (A) is tightly secured to the mounting surface.

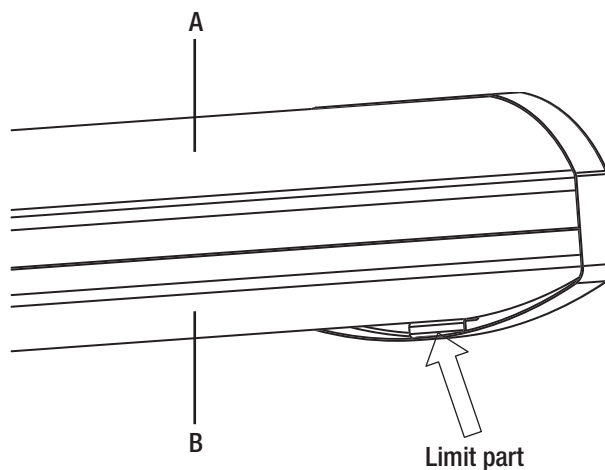


NOTE: The drywall anchors (FF) are only to be used for mounting the fixture onto plaster or drywall surfaces.



7 Attaching the diffuser to the housing

- Insert one end of the diffuser (B) into the end cap of the housing (A) to the bottom of the limit part.
- Push the other end of the diffuser (B) to the top of the limit part on the opposite end cap.
- Restore power to the electrical box. Turn on the light switch to activate the fixture.

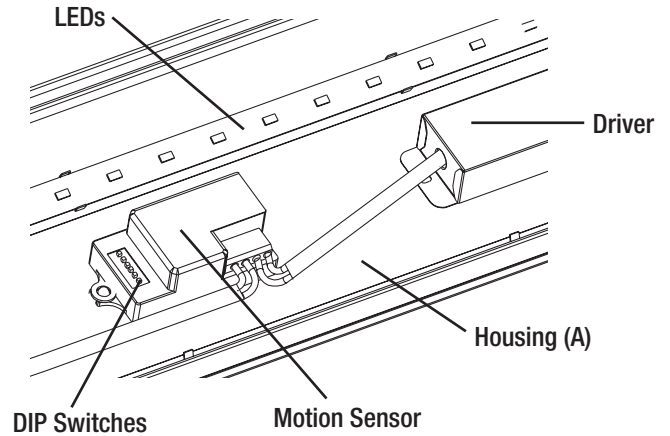


Adjusting the Motion Sensor

FACTORY SETTINGS

- Detection Area: Factory set at 75%
- Hold Time: Factory set at 5 Minutes
- Daylight Sensor: Factory set at Photocell Disabled

Motion Sensor Detection Area		Hold-time		Daylight Sensor Light Level	
DIP 1	DIP 2	DIP 3	DIP 4	DIP 5	DIP 6
●	○	○	●	●	●
75%		5 minutes		Disable	

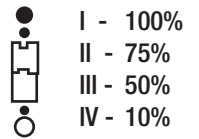


ADJUSTMENT OPTIONS

Detection area

- The motion detection area can be adjusted by selecting the combination of settings on the DIP switches for the desired motion detection area.

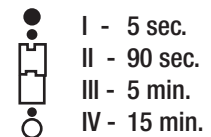
	Detection Area			Coverage By Install Height		
	DIP 1	DIP 2		10 ft. Ceiling	9 ft. Ceiling	8 ft. Ceiling
I	●	●	100%	43 ft. x 10 ft.	40 ft. x 9 ft.	39 ft. x 8 ft.
II	●	○	75%	36 ft. x 10 ft.	34 ft. x 9 ft.	33 ft. x 8 ft.
III	○	●	50%	26 ft. x 10 ft.	23 ft. x 9 ft.	23 ft. x 8 ft.
IV	○	○	10%	7 ft. x 10 ft.	7 ft. x 9 ft.	7 ft. x 8 ft.



Hold-time

- Hold-time is the time period the light will remain on after the person has left the detected area. The amount of time the light remains on can be adjusted by selecting the combination of settings on the DIP switches for the desired hold-time.

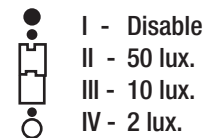
	DIP 3	DIP 4	
I	●	●	5 sec.
II	●	○	90 sec.
III	○	●	5 min.
IV	○	○	15 min.



Daylight sensor

- The daylight threshold can be adjusted by selecting the combination of settings on the DIP switches to determine the level of darkness when the light will turn on automatically.

	DIP 5	DIP 6	
I	●	●	Disable
II	●	○	50 lux.
III	○	●	10 lux.
IV	○	○	2 lux.



Care and Cleaning



CAUTION: Before attempting to clean the fixture, disconnect the power to the fixture by turning the breaker off or removing the fuse from the fuse box.

- Clean the fixture with a soft, dry cloth.
- Do not use cleaners with chemicals, solvents, or harsh abrasives.
- Do not use liquid cleaner on the LEDs, LED driver, or wiring inside the light fixture.

Troubleshooting



WARNING: Before doing any work on the fixture, disconnect power to the light fixture.

Minor problems often can be fixed without the help of an electrician.

Problem	Possible Cause	Solution												
The fixture will not light.	The power is off.	Ensure the power supply is on.												
	The circuit breaker is off.	Ensure the circuit breaker is in the on position.												
	There is a bad connection.	Check to ensure proper wire connections are made. Contact a qualified electrician.												
	There is a defective switch.	Contact a qualified electrician.												
The fuse blows or the circuit breaker trips when the light is turned on.	The wires are crossed or the power wire is grounding out.	Check the wire connections. Contact a qualified electrician or call Commercial Electric customer service 1-877-527-0313.												
The light is not staying on long enough after the last motion is detected.	The hold-time setting needs to be adjusted.	Factory setting is a 5 minute hold time. To increase the time period the light remains on, please refer to page 8 of the instruction manual to adjust the 4th dip switch to the preferred setting. <table border="1" style="margin-left: 20px;"> <tr> <td>IV</td> <td><input type="radio"/></td> <td><input type="radio"/></td> <td>15 min.</td> </tr> </table>	IV	<input type="radio"/>	<input type="radio"/>	15 min.								
IV	<input type="radio"/>	<input type="radio"/>	15 min.											
The light is staying on too long after the last motion is detected.	The hold-time setting needs to be adjusted.	Factory setting is a 5 minute hold time. To decrease the time period the light remains on, please refer to page 8 of the instruction manual to adjust the 3rd and 4th dip switches to the preferred setting. <table border="1" style="margin-left: 20px;"> <tr> <td>I</td> <td><input checked="" type="radio"/></td> <td><input checked="" type="radio"/></td> <td>5 sec.</td> </tr> <tr> <td>II</td> <td><input checked="" type="radio"/></td> <td><input type="radio"/></td> <td>90 sec.</td> </tr> </table>	I	<input checked="" type="radio"/>	<input checked="" type="radio"/>	5 sec.	II	<input checked="" type="radio"/>	<input type="radio"/>	90 sec.				
I	<input checked="" type="radio"/>	<input checked="" type="radio"/>	5 sec.											
II	<input checked="" type="radio"/>	<input type="radio"/>	90 sec.											
The motion sensor is not detecting motion in a large enough area.	The motion sensor needs to be adjusted.	To increase the motion detection area, please refer to page 8 of the instruction manual to adjust the 1st and 2nd dip switches to the preferred setting. <table border="1" style="margin-left: 20px;"> <tr> <td>I</td> <td><input checked="" type="radio"/></td> <td><input checked="" type="radio"/></td> <td>100%</td> </tr> </table>	I	<input checked="" type="radio"/>	<input checked="" type="radio"/>	100%								
I	<input checked="" type="radio"/>	<input checked="" type="radio"/>	100%											
The motion sensor is detecting motion in too large an area.	The motion sensor needs to be adjusted.	To decrease the motion detection area, please refer to page 8 of the instruction manual to adjust the 1st and 2nd dip switches to the preferred setting. <table border="1" style="margin-left: 20px;"> <tr> <td>III</td> <td><input type="radio"/></td> <td><input checked="" type="radio"/></td> <td>50%</td> </tr> <tr> <td>IV</td> <td><input type="radio"/></td> <td><input type="radio"/></td> <td>10%</td> </tr> </table>	III	<input type="radio"/>	<input checked="" type="radio"/>	50%	IV	<input type="radio"/>	<input type="radio"/>	10%				
III	<input type="radio"/>	<input checked="" type="radio"/>	50%											
IV	<input type="radio"/>	<input type="radio"/>	10%											
The motion sensor is detecting motion during daylight hours and turning the light on when I do not need it on.	The daylight sensor needs to be adjusted.	Ensure the 5th and 6th dip switches are set to detect light at the 50 lux, 10 lux or 2 lux settings. Please refer to page 8 of the instruction manual to adjust the 5th and 6th dip switches to the preferred setting. <table border="1" style="margin-left: 20px;"> <tr> <td>II</td> <td><input checked="" type="radio"/></td> <td><input type="radio"/></td> <td>50 lux.</td> </tr> <tr> <td>III</td> <td><input type="radio"/></td> <td><input checked="" type="radio"/></td> <td>10 lux.</td> </tr> <tr> <td>IV</td> <td><input type="radio"/></td> <td><input type="radio"/></td> <td>2 lux.</td> </tr> </table>	II	<input checked="" type="radio"/>	<input type="radio"/>	50 lux.	III	<input type="radio"/>	<input checked="" type="radio"/>	10 lux.	IV	<input type="radio"/>	<input type="radio"/>	2 lux.
II	<input checked="" type="radio"/>	<input type="radio"/>	50 lux.											
III	<input type="radio"/>	<input checked="" type="radio"/>	10 lux.											
IV	<input type="radio"/>	<input type="radio"/>	2 lux.											
The motion sensor is not detecting motion and turning the light on during daylight hours when I need it to.	The daylight sensor needs to be adjusted.	Ensure the 5th and 6th dip switches are set at "disable". This will allow the light to turn on when motion is detected at any light level. Please refer to page 8 of the instruction manual to adjust the 5th and 6th dip switches to the preferred setting. <table border="1" style="margin-left: 20px;"> <tr> <td>I</td> <td><input checked="" type="radio"/></td> <td><input checked="" type="radio"/></td> <td>Disable</td> </tr> </table>	I	<input checked="" type="radio"/>	<input checked="" type="radio"/>	Disable								
I	<input checked="" type="radio"/>	<input checked="" type="radio"/>	Disable											



Questions, problems, missing parts? Before returning to the store,
call Commercial Electric Customer Service
8 a.m. - 7 p.m., EST, Monday - Friday
9 a.m. - 6 p.m., EST, Saturday

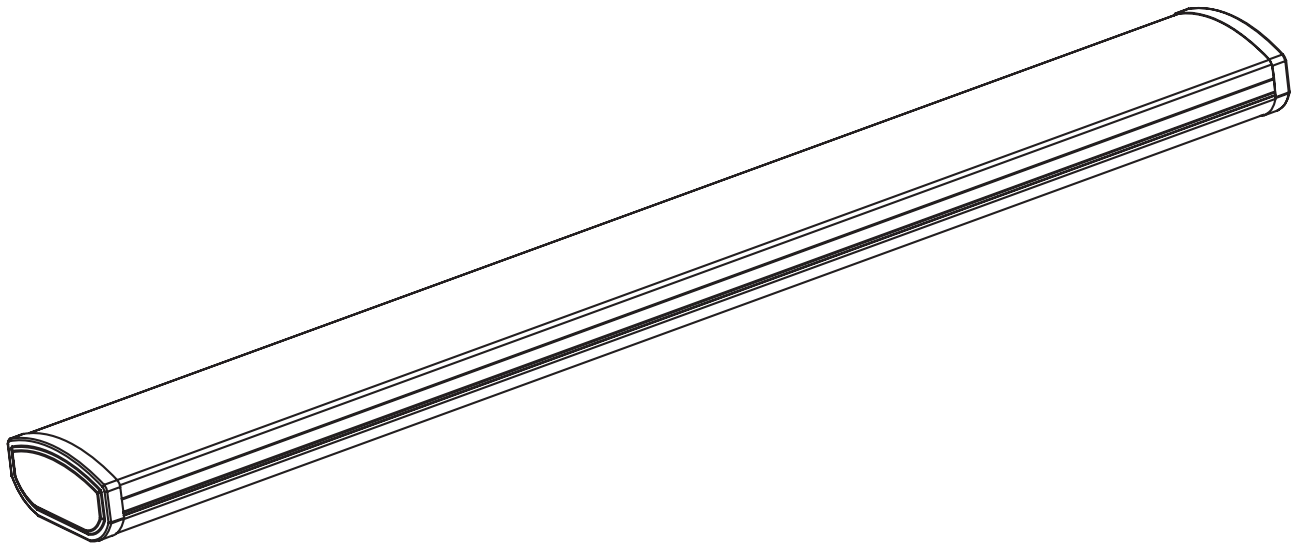
1-877-527-0313

HOMEDEPOT.COM

Retain this manual for future use.

GUÍA DE USO Y CUIDADO

DISPOSITIVO DE LUZ LED ENVOLVENTE DE 4' CON SENSOR DE MOVIMIENTO



¿Preguntas, problemas, piezas faltantes? Antes de devolver el producto a la tienda, llame al Centro de Atención al Cliente de Commercial Electric en el horario de 8 a.m. - 7 p.m., Hora del Este de EE.UU., de lunes a viernes.
9 a.m. - 6 p.m., Hora del Este de EE.UU., el sábado.



1-877-527-0313

HOMEDEPOT.COM



GRACIAS

Apreciamos la confianza que ha puesto en Commercial Electric al comprar este dispositivo de luz LED. Nos esforzamos por crear constantemente productos diseñados para dar realce a su hogar. Visítenos en línea para ver nuestra gama completa de productos disponibles para sus necesidades al momento de hacer mejoras en su hogar. ¡Muchas gracias por elegir a Commercial Electric!

Contenido

Contenido	12	Contenido del paquete	14
Información sobre seguridad	12	Materiales incluidos	14
Garantía	12	Instalación	15
Antes de la instalación	13	Ajuste del sensor de movimiento	18
Planificación de la instalación	13	Cuidado y limpieza	18
Herramientas necesarias	13	Solución de problemas	19

Información sobre seguridad



ADVERTENCIA: Lea cuidadosamente y comprenda la información incluida en este manual antes de comenzar el armado e instalación. No hacerlo puede provocar descarga eléctrica, incendio, u otras lesiones que pueden ser peligrosas o incluso fatales.



ADVERTENCIA: Asegúrese de cortar el suministro eléctrico en los cables con los que trabajará. Extraiga los fusibles o apague el cortacircuitos.



ADVERTENCIA: Cambios o modificaciones no aprobadas en forma expresa por la parte responsable del cumplimiento puede invalidar la autoridad del usuario de operar el equipo.

NOTA: Este equipo ha sido sometido a prueba y se halló que cumple con los límites establecidos para la clase B de dispositivos digitales, conforme a la Parte 15 de las Normas de FCC.

Estos límites se establecen para brindar protección razonable contra interferencia dañina en una instalación residencial.

Este equipo genera, utiliza y puede irradiar energía de frecuencias de radio y, si no se instala conforme a las instrucciones, puede provocar interferencia dañina a las comunicaciones de radio. A pesar de esto, no existe garantía de que la interferencia no se produzca en una instalación en particular. Si este equipo produce interferencia dañina a la recepción de radio o televisión, lo que puede determinarse encendiendo y apagando el equipo, se insta al usuario a intentar

- Cambie la orientación o ubicación de la antena receptora.
- Aumente la separación entre el equipo y el receptor.
- Conecte el equipo en un enchufe que esté en un circuito diferente al cual está conectado el receptor.
- Consulte con el representante o con un técnico experimentado en radio y televisión para solicitar asistencia.

Garantía

CUBRE

El fabricante garantiza que este aparato de iluminación no tendrá defectos en los materiales o en la mano de obra por un periodo de cinco (5) años desde la fecha de compra. Esta garantía se aplica sólo al comprador consumidor original y sólo a los productos que se utilizan y reciben servicio en forma normal. Si se encuentra que este producto tiene defectos, la única obligación del fabricante, y su exclusiva solución, es reparar o reemplazar el producto a su entera discreción, siempre y cuando el producto no se haya dañado debido al mal uso, abuso, accidente, modificaciones, alteraciones, negligencias o mal manejo del mismo.

NO CUBRE

Esta garantía no se aplica a ningún producto que se ha instalado incorrectamente, ajustado o utilizado en una forma que no concuerde con las instrucciones suministradas junto con el producto. Esta garantía no se aplicará a fallas del producto como resultado de un accidente, uso incorrecto, abuso, negligencia, alteración, instalación defectuosa, o ninguna otra falla no relacionada con el material o mano de obra defectuosa. Esta garantía no se aplica a los acabados en ninguna parte del producto, tal como la superficie ni a la acción de los elementos, ya que esto se considera desgaste normal.

El fabricante no garantiza y no acepta responsabilidad, ya sea expresa o implícita de la idoneidad para un fin particular, a excepción de la garantía contenida en el presente. El fabricante niega específicamente cualquier responsabilidad y no será responsable por daños o pérdidas indirectas o consecuenciales, e incluye pero no se limita a los costos de mano de obra, gastos relacionados en el reemplazo o reparación de dicho producto.

Comuníquese con el equipo de Servicio al Cliente al 1-877-527-0313 o visite www.HomeDepot.com.

Antes de la instalación

PLANIFICACIÓN DE LA INSTALACIÓN

Antes de comenzar el armado, instalación u operación del producto, asegúrese de que tiene todas las piezas. Compare las piezas con la lista de contenido. Si alguna de las piezas faltara o estuviera dañada, no proceda a armar, instalar u operar el producto. Comuníquese con el servicio al cliente para consultar por las piezas de reemplazo.



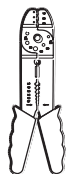
NOTA: Guarde el recibo de compra y estas instrucciones como prueba de compra.

Si no está familiarizado con las instalaciones eléctricas, le recomendamos que haga que un electricista calificado se ocupe de la instalación.



NOTA: Se recomienda que la instalación de este aparato la realicen dos personas.

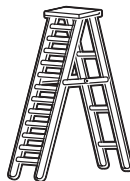
HERRAMIENTAS NECESARIAS



Alicates pelacables



Gafas de seguridad



Escalera



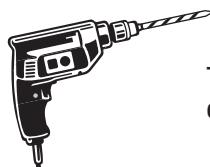
Guantes



Destornillador de cabeza plana



Destornillador Phillips



Taladro eléctrico con brocas

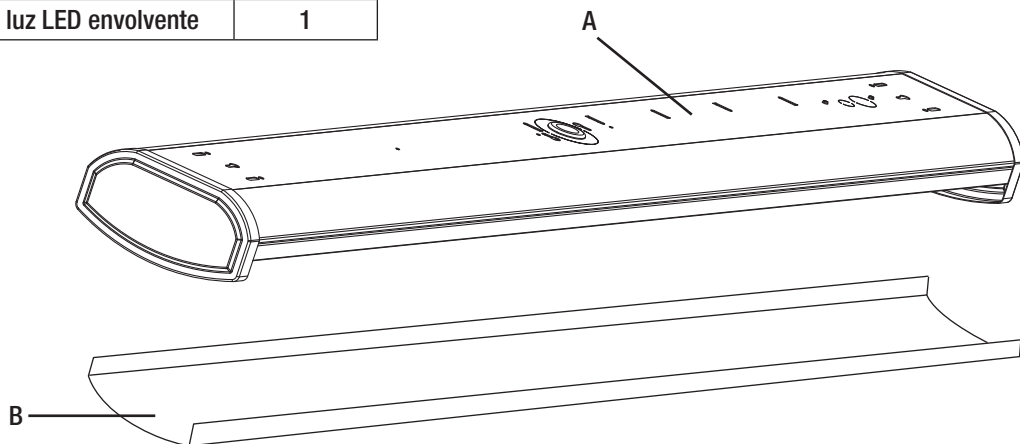


Alicates cortacables

Antes de la instalación (continuación)

CONTENIDO DEL PAQUETE

Pieza	Descripción	Cantidad
A	Caja de dispositivo de luz LED envolvente	1
B	Difusor de dispositivo de luz LED envolvente	1

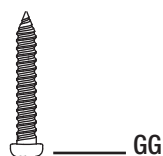
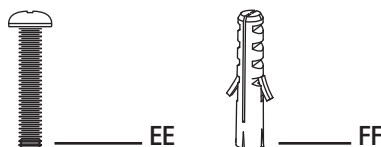
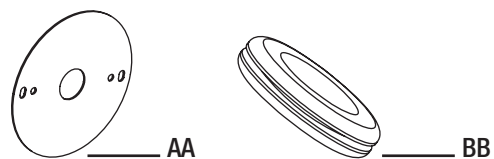


MATERIALES INCLUIDOS



NOTA: Los materiales no se ilustran en tamaño real.

Pieza	Descripción	Cantidad
AA	Soporte de montaje	1
BB	Junta	1
CC	Conector de cables doble	1
DD	Conector de cables simple	1
EE	Tornillo de caja eléctrica	2
FF	Anclaje para pirca	2
GG	Tornillo de montaje	2



Instalación

Seleccione un sitio adecuado que soporte el peso del dispositivo de iluminación. Determine el método de montaje antes de hacer los orificios.

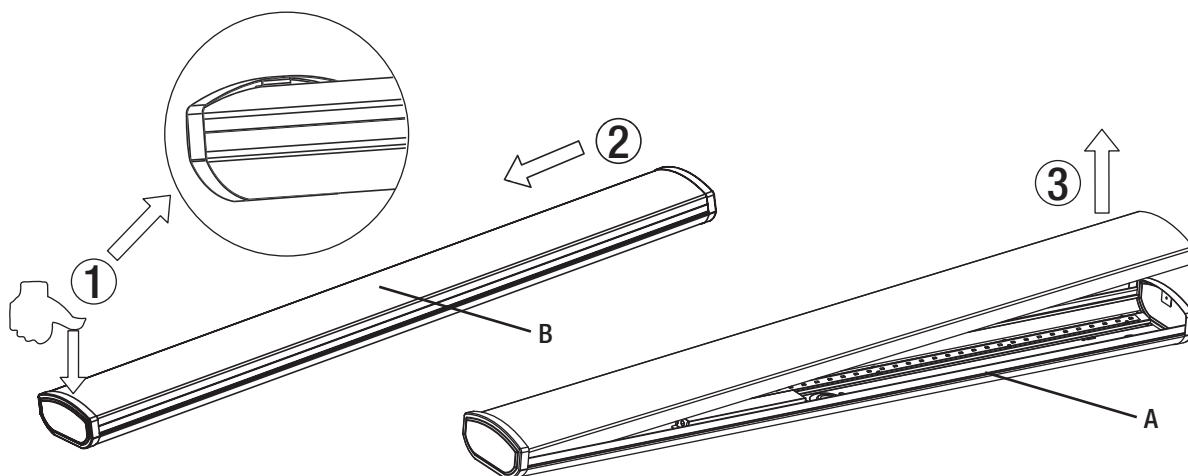


ADVERTENCIA: RIESGO DE DESCARGA ELÉCTRICA. Asegúrese de cortar el suministro eléctrico en los cables con los que trabajará. Extraiga los fusibles o apague el cortacircuitos antes de quitar el aparato de iluminación existente o instalar uno nuevo.

Antes de retirar el dispositivo existente, desconecte la energía hacia la caja eléctrica. Haga un diagrama del actual cableado (por color de los cables) o marque los cables con cinta de enmascarar y un lápiz. De ese modo sabrá cómo volver a conectar correctamente los cables al nuevo dispositivo de luz LED.

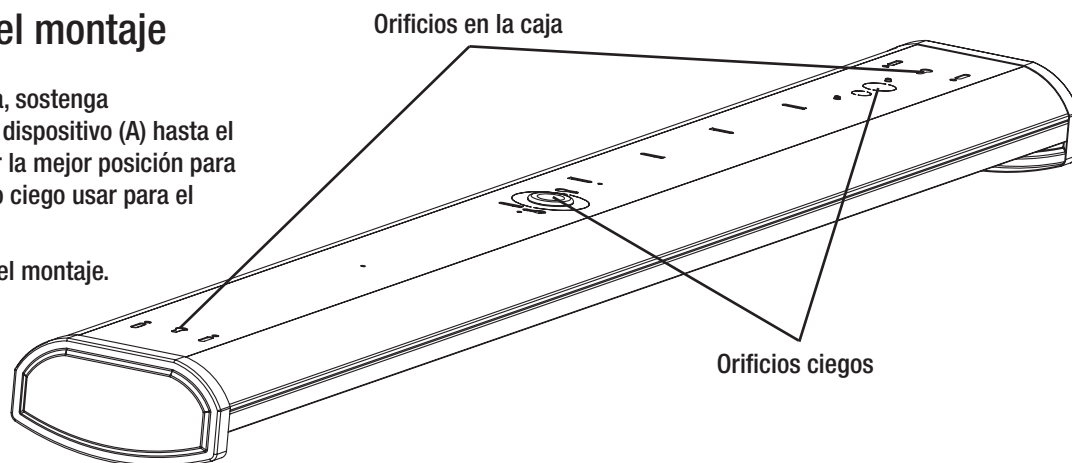
1 Separar el difusor de la caja

- Presione ligeramente un extremo del difusor (B) hasta que sienta resistencia desde la parte inferior de la tapa del extremo de la caja (A).
- Deslice el difusor (B) hacia el extremo que está presionando.
- Levante el difusor (B) desde el otro extremo, extrayéndolo de la caja (A).



2 Marcar el sitio del montaje

- Con ayuda de otra persona, sostenga temporalmente la caja del dispositivo (A) hasta el cielorraso para determinar la mejor posición para la instalación y qué orificio ciego usar para el cableado del dispositivo.
- Marque dos orificios para el montaje.



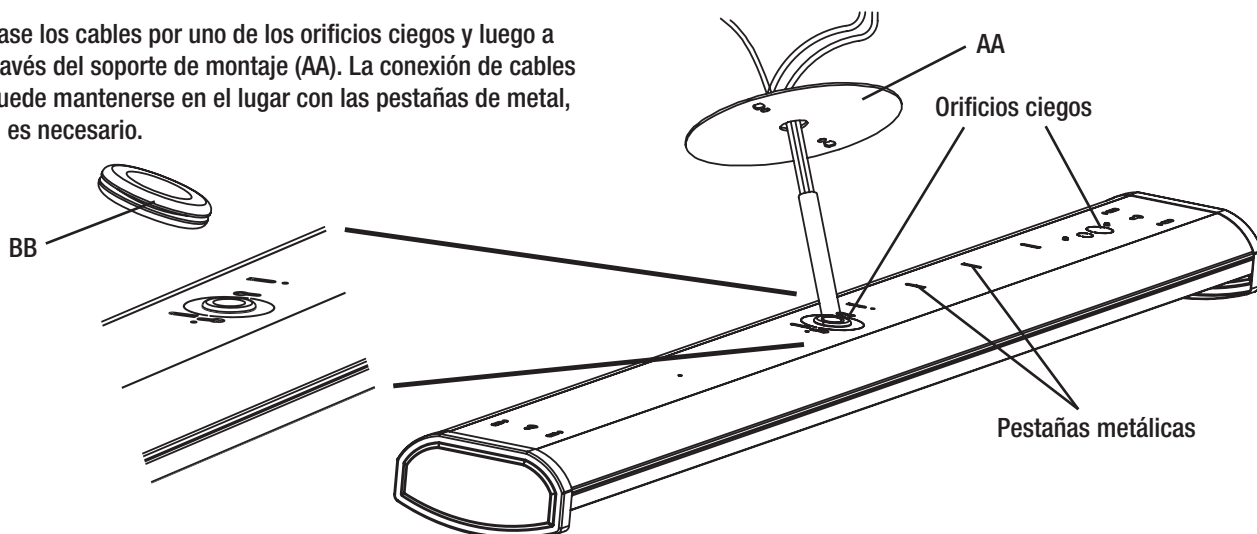
Instalación (continuación)

3 Cableado



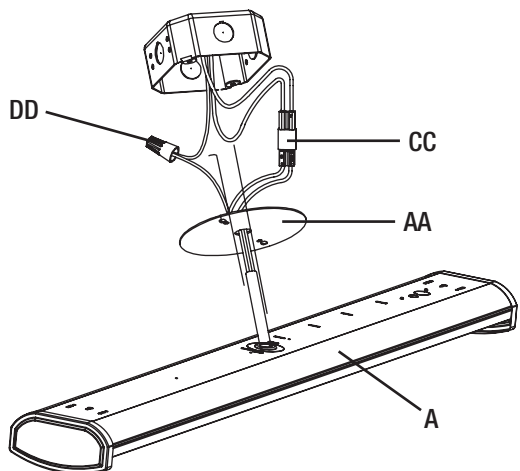
NOTA: Coloque la junta (BB) en uno de los orificios ciegos del aparato para proteger mejor los cables.

- Pase los cables por uno de los orificios ciegos y luego a través del soporte de montaje (AA). La conexión de cables puede mantenerse en el lugar con las pestañas de metal, si es necesario.



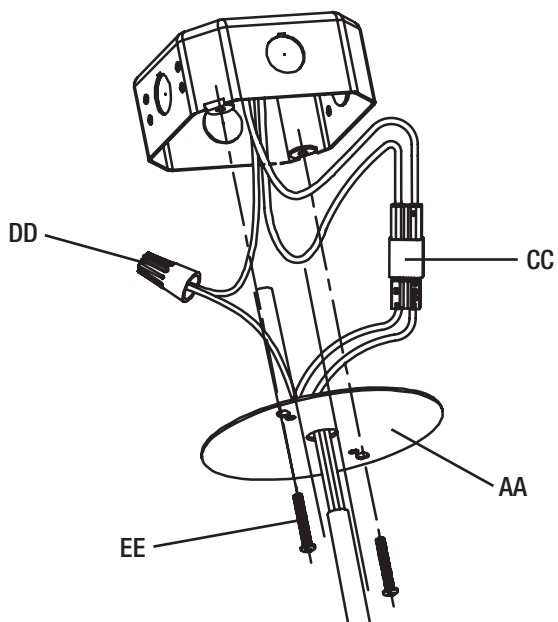
4 Hacer las conexiones eléctricas

- Conecte el cable energizado y el neutro (negro y blanco) de la caja (A) a los cables del mismo color de la caja eléctrica.
- Cubra las conexiones de los cables usando los conectores de cables (CC).
- Conecte el cable verde de la caja (A) al cable de conexión a tierra de la caja eléctrica. Únalos usando un conector de cables simple (DD).



5 Instalación del soporte de montaje a la caja eléctrica

- Coloque los cables nuevamente dentro de la caja eléctrica.
- Instale el soporte de montaje (AA) a la caja eléctrica usando los dos tornillos de la caja eléctrica (EE).

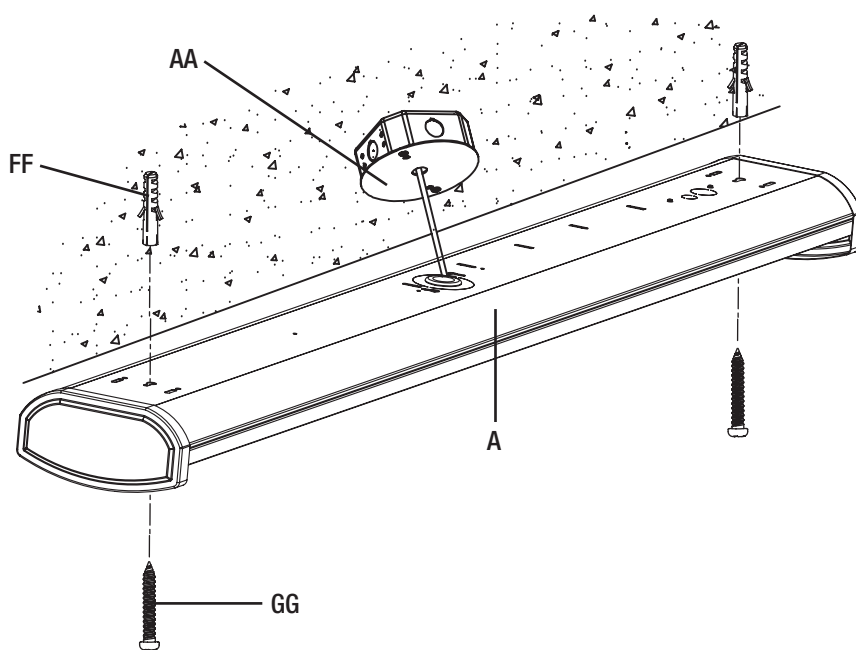


6 Unir la caja al cielorraso

- Taladre un orificio piloto de 1/8 pulgadas en los sitios de los tornillos marcados en el cielorraso. También puede usar una lezna o clavo para marcar los orificios de los tornillos.
- Instale un anclaje para pirca (FF) y un tornillo de montaje (GG) en cada uno de los orificios, pero no los apriete completamente.
- Alinee los 2 orificios de montaje en la caja (A) con los 2 tornillos de montaje en el cielorraso. Una vez que las cabezas de ambos tornillos pasaron por el extremo más grande de los orificios, deslice la caja hasta que las cabezas de los tornillos pasen hacia el extremo angosto de los orificios.
- Termine de ajustar los tornillos de montaje (GG) hasta que la caja (A) esté segura y fija en la superficie de montaje.

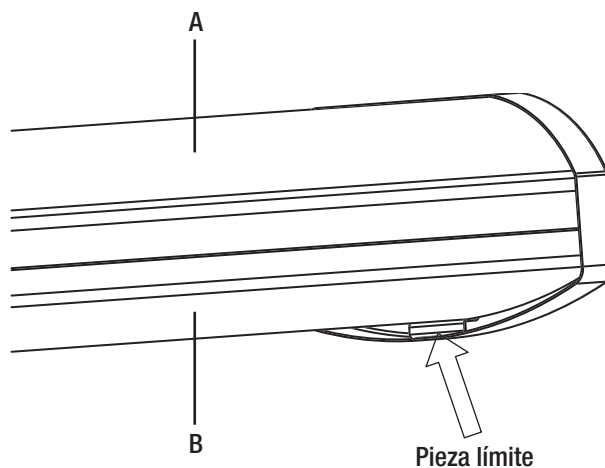


NOTA: Los anclajes para pirca (FF) solo deben usarse para la instalación del aparato en superficies de yeso y pirca.



7 Unir el difusor a la caja

- Introduzca un extremo del difusor (B) en la tapa del extremo de la caja (A), en la parte inferior de la pieza límite.
- Empuje el otro extremo del difusor (B) hacia la parte superior de la pieza límite en el lado opuesto de la tapa del extremo.
- Active la energía a la caja eléctrica. Encienda el interruptor de luz para activar el aparato.

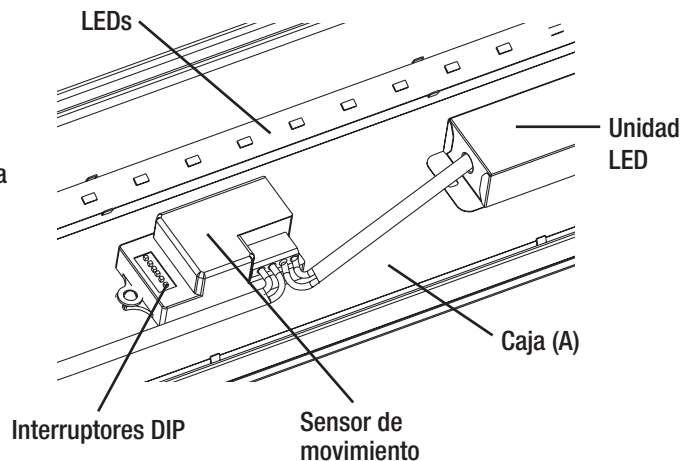


Ajuste del sensor de movimiento

CONFIGURACIÓN DE FÁBRICA

- Área de detección: Configuración de fábrica al 75%
- Tiempo de encendido: Configuración de fábrica a 5 minutos
- Sensor de día: Configuración de fábrica en Fotocelda desactivada

Área de detección del sensor de movimiento		Tiempo de encendido		Nivel de luz del sensor durante el día	
DIP 1	DIP 2	DIP 3	DIP 4	DIP 5	DIP 6
●	○	○	●	●	●
75%		5 minutos		Desactivado	

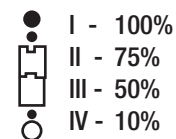


OPCIONES DE AJUSTE

Área de detección

- El área de detección de movimiento puede ajustarse seleccionando la combinación de configuraciones en los interruptores DIP.

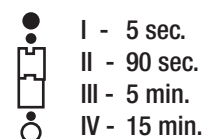
	Área de detección			Cobertura por altura de instalación		
	DIP 1	DIP 2		Cielorraso de 10 pies	Cielorraso de 9 pies	Cielorraso de 8 pies
I	●	●	100%	43 pies x 10 pies	40 pies x 9 pies	39 pies x 8 pies
II	●	○	75%	36 pies x 10 pies	34 pies x 9 pies	33 pies x 8 pies
III	○	●	50%	26 pies x 10 pies	23 pies x 9 pies	23 pies x 8 pies
IV	○	●	10%	7 pies x 10 pies	7 pies x 9 pies	7 pies x 8 pies



Tiempo de encendido

- El tiempo de encendido es el periodo que la luz permanece encendida después de que la persona deja el área de detección. El periodo que la luz permanece encendida puede ajustarse seleccionando la combinación de opciones en el interruptor DIP por el tiempo deseado.

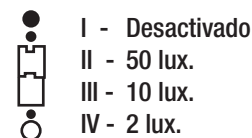
	DIP 3	DIP 4	
I	●	●	5 sec.
II	●	○	90 sec.
III	○	●	5 min.
IV	○	○	15 min.



Sensor de día

- El límite de día puede ajustarse seleccionando la combinación de opciones en los interruptores DIP para determinar el nivel de oscuridad cuando la luz se enciende automáticamente.

	DIP 5	DIP 6	
I	●	●	Desactivado
II	●	○	50 lux.
III	○	●	10 lux.
IV	○	○	2 lux.



Cuidado y limpieza



PRECAUCIÓN: Antes de limpiar el aparato, desconecte el suministro eléctrico hacia este apagando el cortacircuitos o extrayendo el fusible de la caja de fusibles.

- Limpie el aparato con un paño suave y seco.
- No utilice limpiadores con productos químicos, solventes o abrasivos.
- No use limpiador líquido en las bombillas LED, en la unidad LED ni en los cables que están dentro de del aparato.

Solución de problemas



ADVERTENCIA: Antes de realizar cualquier trabajo en la lámpara, desconecte la electricidad que la alimenta.

Los problemas menores pueden arreglarse sin ayuda de un electricista.

Problem	Possible Cause	Solution												
La lámpara no enciende.	El suministro eléctrico está cortado.	Asegúrese de que el suministro eléctrico esté activado.												
	El cortacircuitos está apagado.	Asegúrese de que el cortacircuitos esté en la posición de encendido.												
	Mal conexión de cables.	Revise para asegurarse de que se hayan conectado los cables de forma correcta. Comuníquese con un electricista calificado.												
	El interruptor está defectuoso.	Comuníquese con un electricista calificado.												
El fusible se quema o salta el cortacircuitos cuando se enciende la lámpara.	Los cables están cruzados o el cable de suministro eléctrico no está puesto a tierra.	Verifique las conexiones de los cables. Comuníquese con un electricista calificado o llame al Centro de Atención al Cliente de Commercial Electric 1-877-527-0313.												
La luz no permanece encendida el tiempo suficiente después de la detección del último movimiento.	Debe ajustarse la configuración del tiempo de encendido.	La configuración de fábrica es de un tiempo de encendido de 5 minutos. Para aumentar el tiempo que la luz permanece encendida, consulte la página 8 del manual de instrucciones para ajustar el 4to. interruptor a la configuración deseada. <table border="1" style="float: right;"> <tr> <td>IV</td> <td><input type="radio"/></td> <td><input type="radio"/></td> <td>15 min.</td> </tr> </table>	IV	<input type="radio"/>	<input type="radio"/>	15 min.								
IV	<input type="radio"/>	<input type="radio"/>	15 min.											
La luz permanece encendida demasiado tiempo después de la detección del último movimiento.	Debe ajustarse la configuración del tiempo de encendido.	La configuración de fábrica es de un tiempo de encendido de 5 minutos. Para reducir el tiempo que la luz permanece encendida, consulte la página 8 del manual de instrucciones para ajustar el 3ro. y 4to. interruptor a la configuración deseada. <table border="1" style="float: right;"> <tr> <td>I</td> <td><input checked="" type="radio"/></td> <td><input checked="" type="radio"/></td> <td>5 sec.</td> </tr> <tr> <td>II</td> <td><input checked="" type="radio"/></td> <td><input type="radio"/></td> <td>90 sec.</td> </tr> </table>	I	<input checked="" type="radio"/>	<input checked="" type="radio"/>	5 sec.	II	<input checked="" type="radio"/>	<input type="radio"/>	90 sec.				
I	<input checked="" type="radio"/>	<input checked="" type="radio"/>	5 sec.											
II	<input checked="" type="radio"/>	<input type="radio"/>	90 sec.											
El sensor no detecta movimiento en una superficie lo suficientemente grande.	Debe ajustarse el sensor de movimiento.	Para aumentar la superficie de detección de movimiento, consulte la página 8 del manual de instrucciones para ajustar el 1ro. y 2do. interruptor a la configuración deseada. <table border="1" style="float: right;"> <tr> <td>I</td> <td><input checked="" type="radio"/></td> <td><input checked="" type="radio"/></td> <td>100%</td> </tr> </table>	I	<input checked="" type="radio"/>	<input checked="" type="radio"/>	100%								
I	<input checked="" type="radio"/>	<input checked="" type="radio"/>	100%											
El sensor detecta movimiento en una superficie demasiado grande.	Debe ajustarse el sensor de movimiento.	Para reducir la superficie de detección de movimiento, consulte la página 8 del manual de instrucciones para ajustar el 1ro. y 2do. interruptor a la configuración deseada. <table border="1" style="float: right;"> <tr> <td>III</td> <td><input type="radio"/></td> <td><input checked="" type="radio"/></td> <td>50%</td> </tr> <tr> <td>IV</td> <td><input type="radio"/></td> <td><input type="radio"/></td> <td>10%</td> </tr> </table>	III	<input type="radio"/>	<input checked="" type="radio"/>	50%	IV	<input type="radio"/>	<input type="radio"/>	10%				
III	<input type="radio"/>	<input checked="" type="radio"/>	50%											
IV	<input type="radio"/>	<input type="radio"/>	10%											
El sensor detecta movimiento durante las horas del día y la luz se enciende cuando no la necesito.	Debe ajustarse el sensor de luz de día.	Asegúrese de que los interruptores 5to. y 6to. están configurados para detectar luz a 50 lux, 10 lux o 2 lux. Consulte la página 8 del manual de instrucciones para ajustar el 5to. y 6to. interruptor a la configuración deseada. <table border="1" style="float: right;"> <tr> <td>II</td> <td><input checked="" type="radio"/></td> <td><input type="radio"/></td> <td>50 lux.</td> </tr> <tr> <td>III</td> <td><input type="radio"/></td> <td><input checked="" type="radio"/></td> <td>10 lux.</td> </tr> <tr> <td>IV</td> <td><input type="radio"/></td> <td><input type="radio"/></td> <td>2 lux.</td> </tr> </table>	II	<input checked="" type="radio"/>	<input type="radio"/>	50 lux.	III	<input type="radio"/>	<input checked="" type="radio"/>	10 lux.	IV	<input type="radio"/>	<input type="radio"/>	2 lux.
II	<input checked="" type="radio"/>	<input type="radio"/>	50 lux.											
III	<input type="radio"/>	<input checked="" type="radio"/>	10 lux.											
IV	<input type="radio"/>	<input type="radio"/>	2 lux.											
El sensor no detecta movimiento y la luz se enciende cuando no la necesito.	Debe ajustarse el sensor de luz de día.	Asegúrese de que los interruptores 5to. y 6to. están configurados en "desactivado". Esto permitirá que se encienda la luz cuando se detecta movimiento en cualquier nivel de luz. Consulte la página 8 del manual de instrucciones para ajustar el 5to. y 6to. interruptor a la configuración deseada. <table border="1" style="float: right;"> <tr> <td>I</td> <td><input checked="" type="radio"/></td> <td><input checked="" type="radio"/></td> <td>Desactivado</td> </tr> </table>	I	<input checked="" type="radio"/>	<input checked="" type="radio"/>	Desactivado								
I	<input checked="" type="radio"/>	<input checked="" type="radio"/>	Desactivado											



**¿Preguntas, problemas, piezas faltantes? Antes de devolver el producto a la tienda,
llame al Centro de Atención al Cliente de Commercial Electric en el horario de
8 a.m. - 7 p.m., Hora del Este de EE.UU., de lunes a viernes.
9 a.m. - 6 p.m., Hora del Este de EE.UU., el sábado.**

1-877-527-0313

HOMEDEPOT.COM

Conserve este manual para uso futuro.