




OWNER'S MANUAL

BMS6800 Shed

Includes instructions for 6' x 8' x 7' 1/4" shed
Assembled exterior dimensions: 6' W. x 8' 1" D. x 7' 3" H.

Before You Begin...

- **Consult your local authorities for any permits required to construct shed.**
Prior to the construction of your shed, check with the local building code official to review any required permits or building limitations.
- **A level and sturdy foundation is required before shed construction can begin.**
Site preparation information is available on page 9.
- **Read instructions thoroughly prior to assembly.**
This kit contains parts that can be damaged if assembled incorrectly or in the wrong sequence.
- **Please follow instructions.**
Suncast is not responsible for replacing parts lost or damaged due to incorrect assembly.
- **Check for all parts before you begin assembly.**
Using the provided parts check list on pages 3-8, verify that you have all the parts required to construct your shed model. **COMPLETE SITE PREPARATION AND FOUNDATION CONSTRUCTION BEFORE UNPACKING ALL PARTS.**
- **Assistance is required during entire assembly.** 



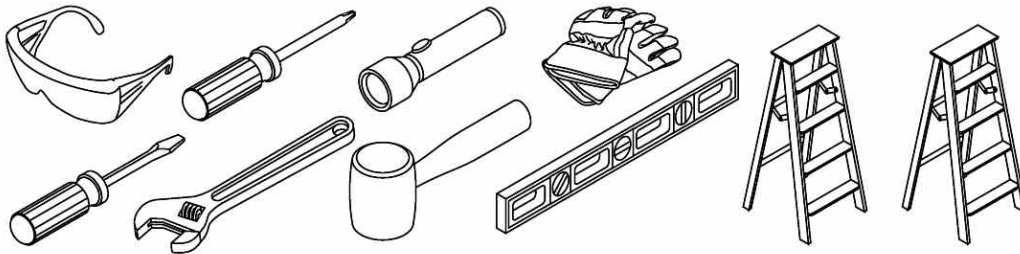
CAUTION

- Proper site preparation required.
- Shed not intended for use in extreme weather conditions.
- Shed not intended for storage of flammable or caustic chemicals.
- Store heavy items near the bottom of shed.
- Shed not intended for use by children.
- **DO NOT** stand, sit, or store items on storage shed roof.
- Treat carefully in extreme temperatures.
- Repair or replace broken parts immediately.
- Suncast is not responsible for damage caused by weather or misuse.
- At regular intervals inspect your shed to make sure that assembly integrity has been maintained.
- Periodically check that the location you have chosen to set your shed is still level.
- This kit contains parts with metal edges. Please be careful when handling.

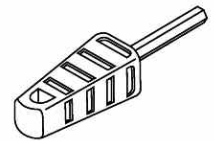
Shed Safety and Care

- Hot items, such as recently used grills, blowtorches, etc., must not be stored in the shed.
- Heavy articles should not be leaned against the walls, as this may cause panel distortion and permanent damage.
- Keep roof clean of snow and leaves.
- The shed walls and roof sections have a textured exterior, much like vinyl home siding. Over time, dust may accumulate in the texture. When combined with moisture, this could encourage the growth of moss or mold on the shed. To maintain the look of your shed, we recommend cleaning it each year with mild soap and water. **DO NOT** use bleach, ammonia, or other caustic cleaners, and **DO NOT** use stiff bristle brushes. Failure to perform annual cleaning could result in permanent staining of the plastic. This is not a manufacturing defect and is not covered under warranty.

Tools Needed for Installation



Included in kit



Easy Bolt Easy Driver®

010210410

Assembly Day Tips

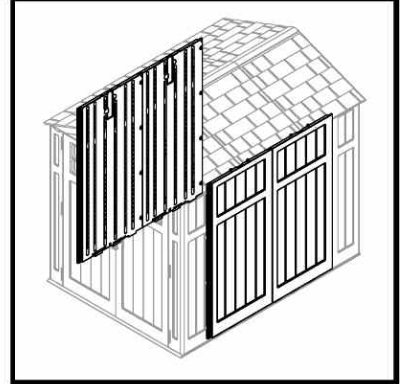
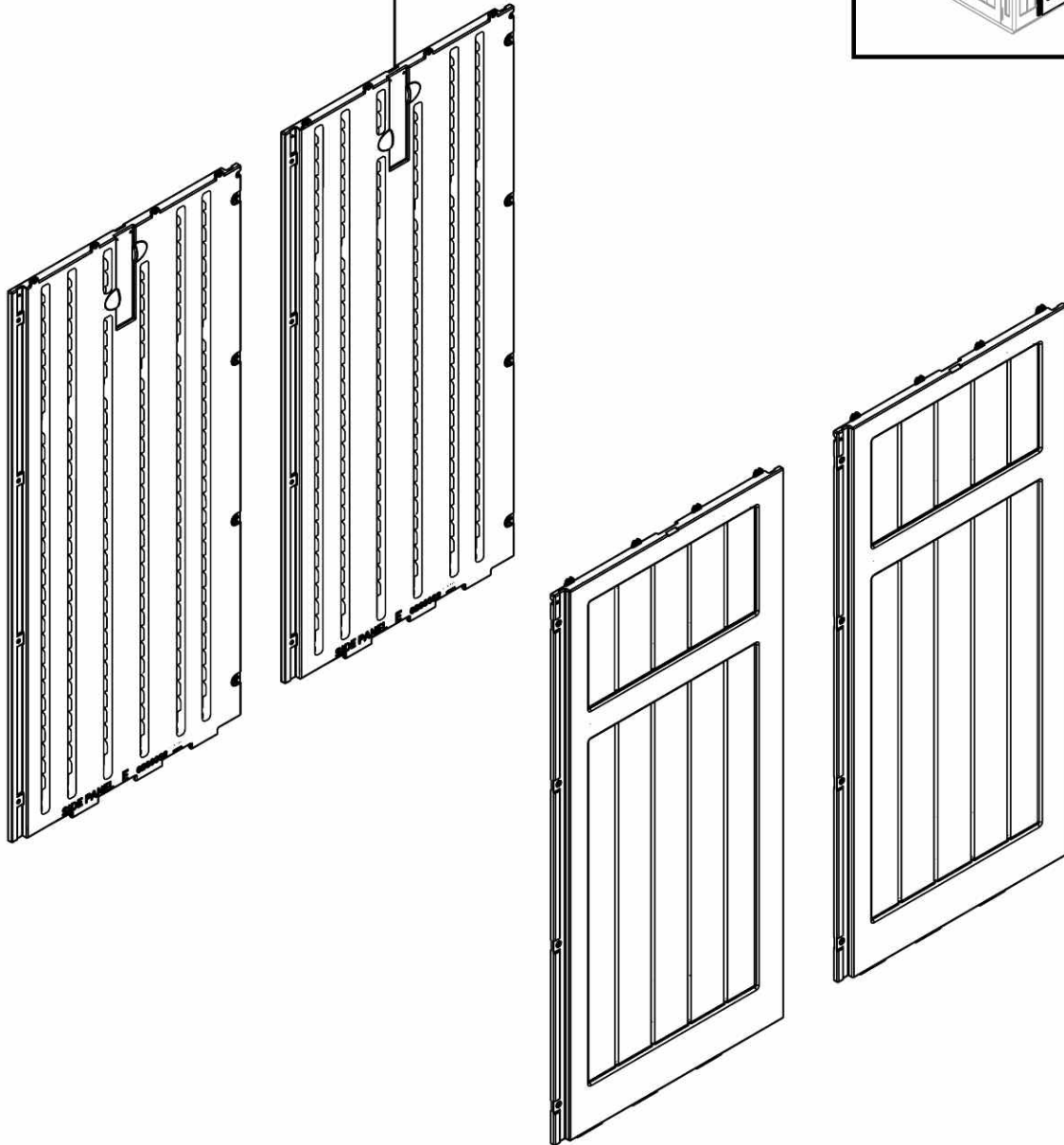
- Complete site preparation and foundation construction before unpacking parts and beginning assembly.
- **DO NOT** attempt to assemble on a day with strong winds.
- **DO NOT** attempt to assemble on days when temperature is below 32 degrees.
- Set aside appropriate amount of time to completely assemble shed. Assembly time is approximately 3 hours.
- Make sure you have assistance nearby to lift and secure parts in place.
- Wear light duty work gloves while assembling shed.
- Once roof is assembled, a flashlight may be of use when assembling smaller components inside shed.
- **DO NOT** use a torque wrench or hand drill to tighten provided Easy bolts. Use 010210410 Easy Bolt Easy Driver tool (provided) **ONLY**.
- Suncoast provides extra hardware for small fasteners for customer convenience. In some cases, there will be extra small fasteners once the assembly is complete.

Note: This product contains parts that are used in different orientations to construct the shed. Please take note of the orientation of the parts shown throughout this instruction manual. Failure to follow instructions could result in damage to parts. Suncoast is not responsible for replacing parts lost or damaged due to incorrect assembly.

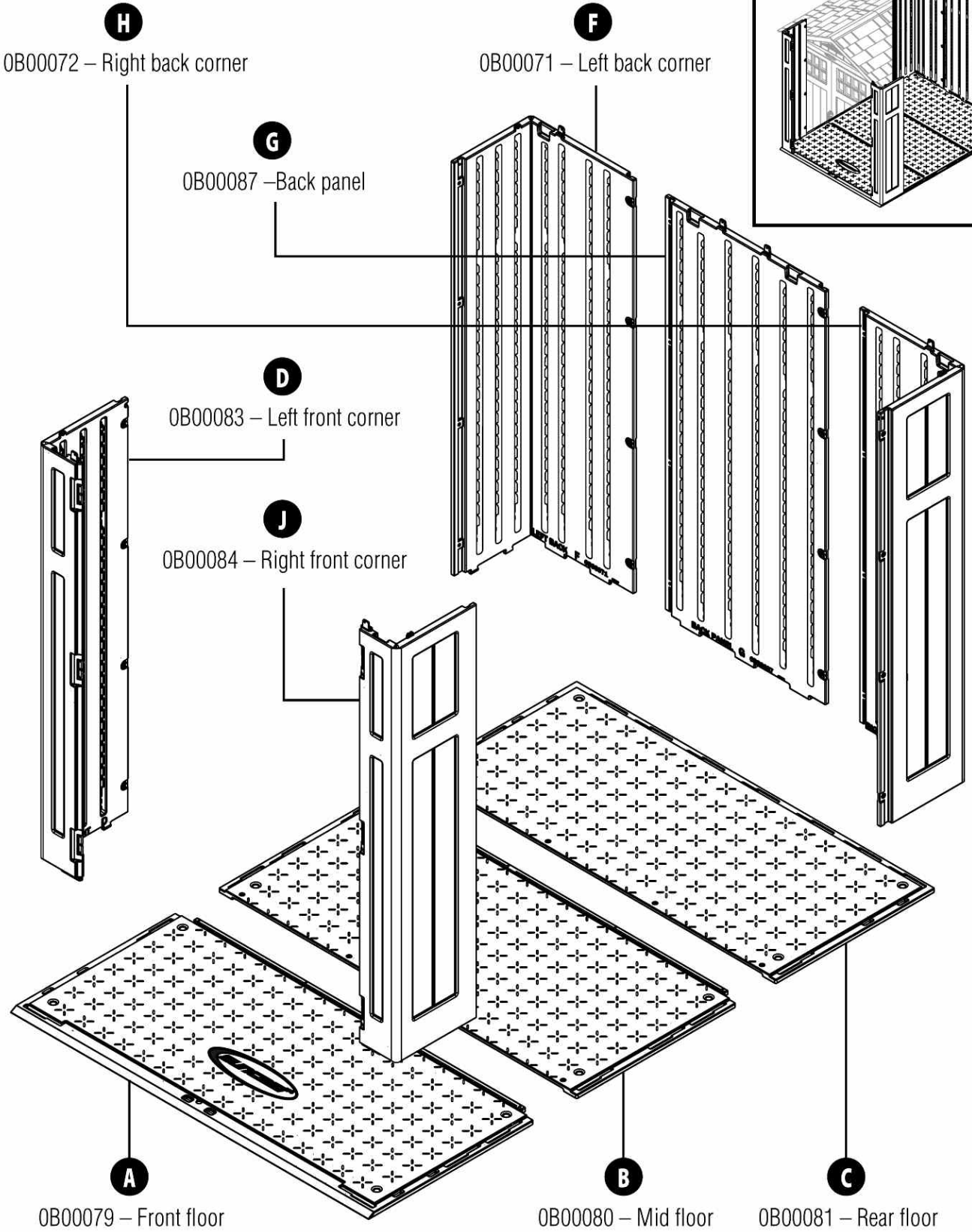
Parts - BMS6800

E

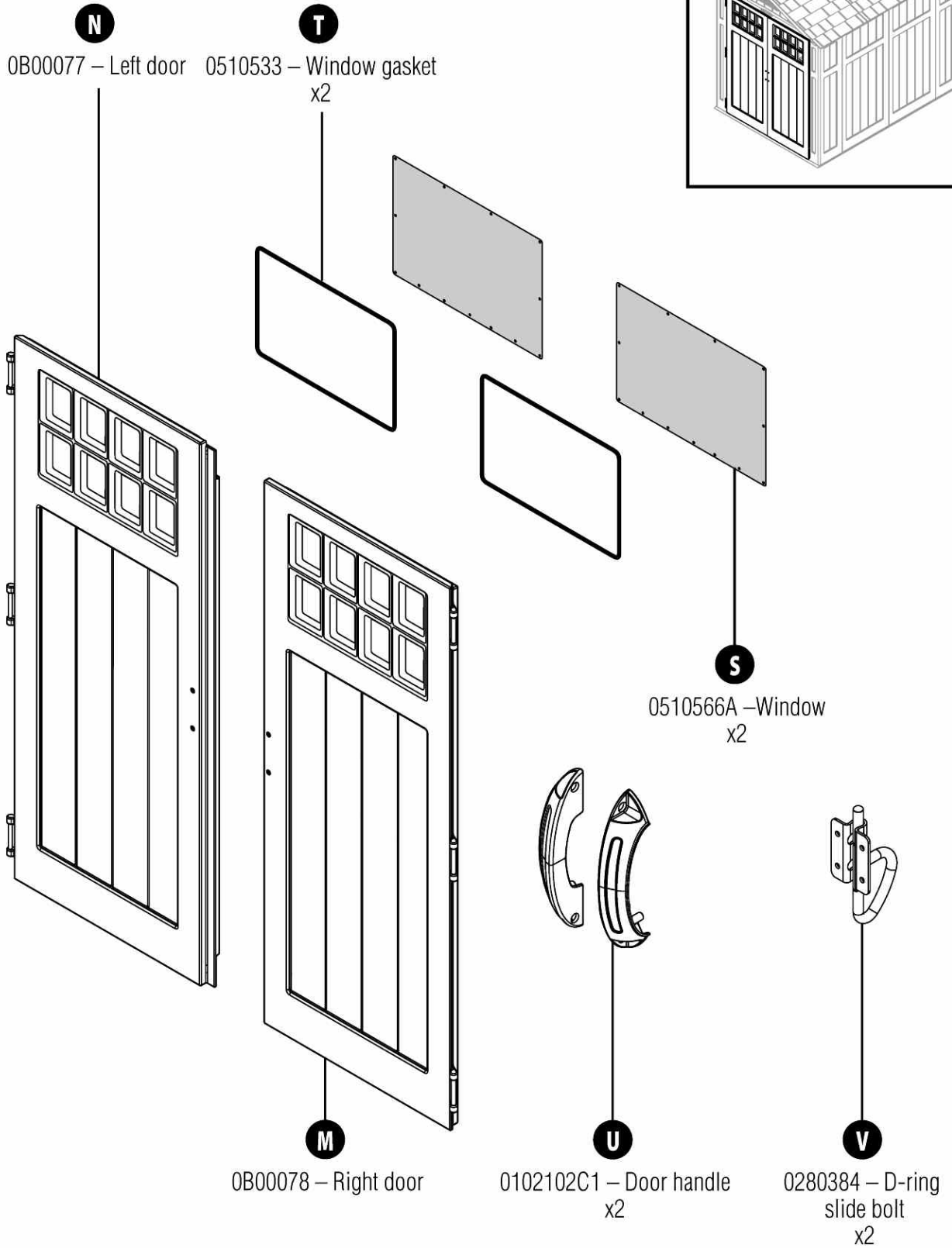
0B00082 – Side panel
x4



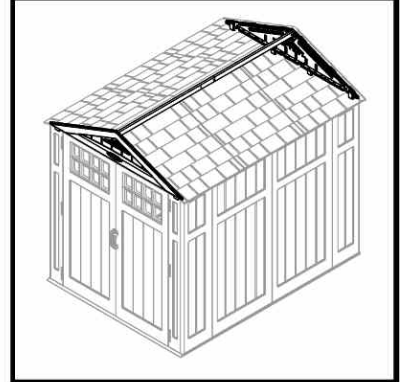
Parts



Parts



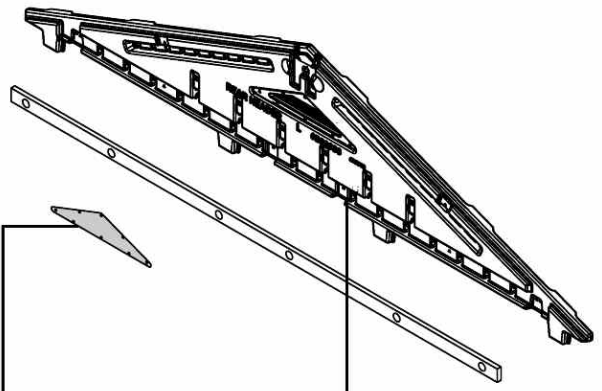
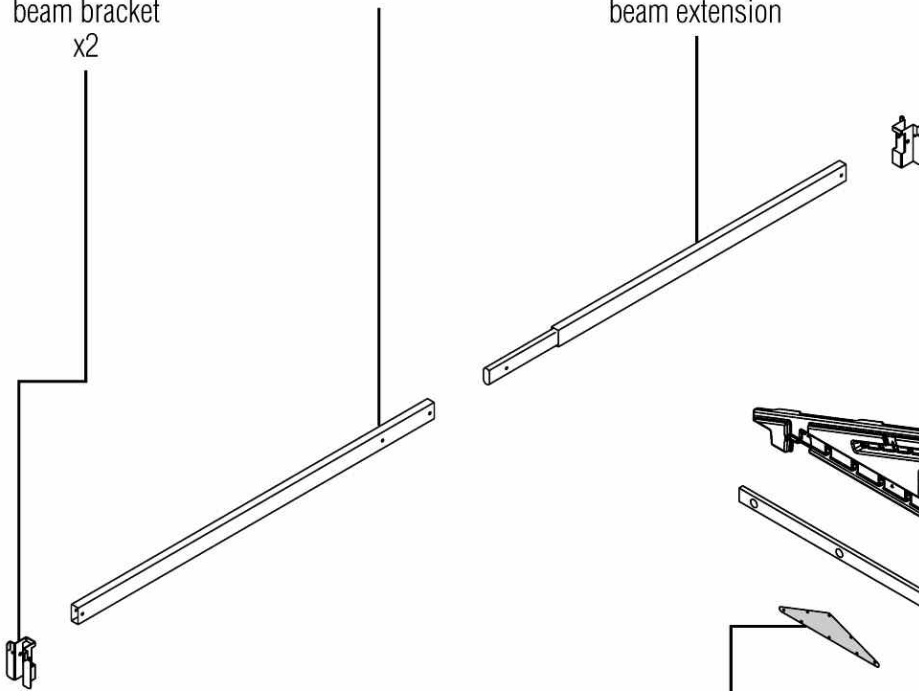
Parts



W
0510541 – Roof ridge
beam bracket
x2

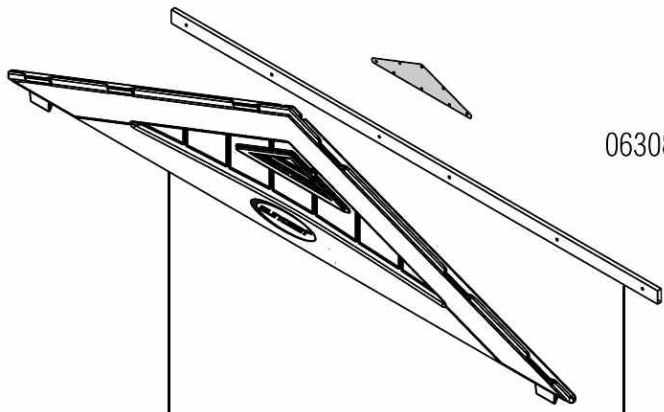
X
0280392 – Ridge beam

Y
0280350 – Roof ridge
beam extension



Z
0630816 – Vent screen
x2

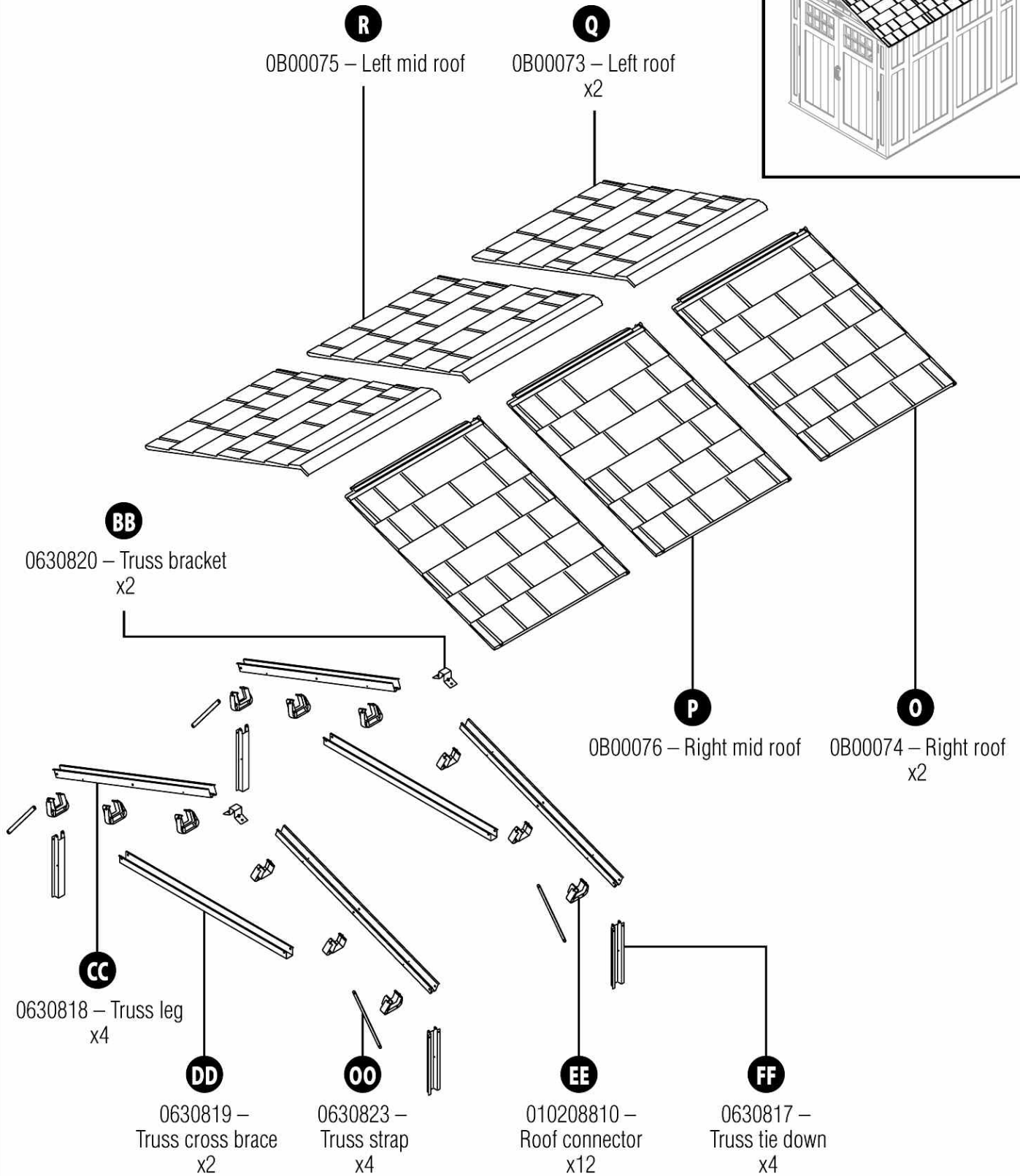
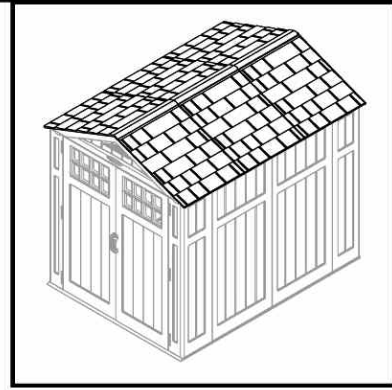
L
0B00086 – Rear header



K
0B00085 – Front header

AA
0280372A – Header beam
x2

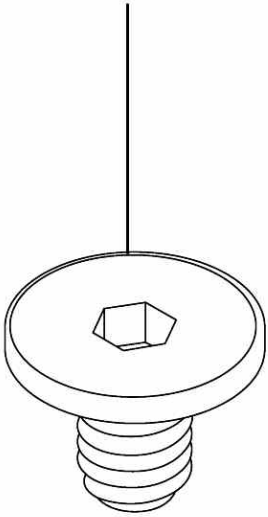
Parts



Hardware

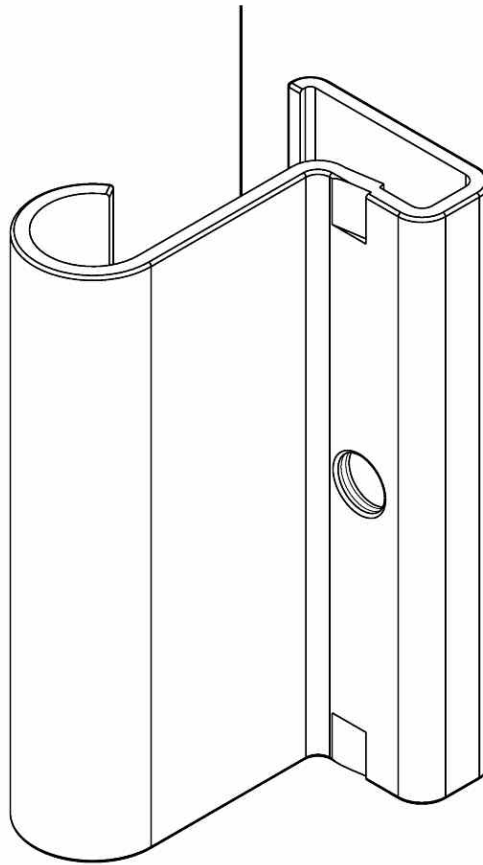
GG

01020188C1 – Easy bolt®
x35



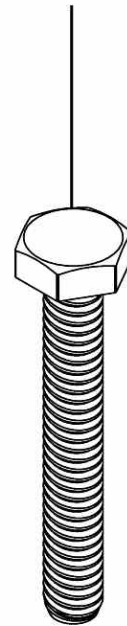
HH

0630814 – Metal hinge plate
x6



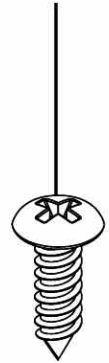
II

0200025 – 2" Hex head cap screw
x12



MM

0210180 –
#8 Pan head screw
x35



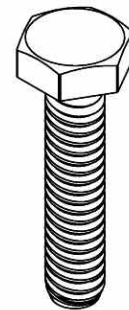
JJ

0210171 – .25 - 20 x .75
Phillips machine screw
x6



KK

0220047 – .25 - 20 Nut
x24



LL

0200033 – 1" Hex head cap screw
x4



NN

0630821 –
#10 Pan head screw
x105

Shown Actual Size

Site Preparation and Platform Construction

(Materials NOT supplied with Shed Kit)

Note: *Site preparation is required for this shed. Placing the shed on a constructed foundation is highly recommended. Without a constructed foundation, settling will probably occur, causing distortion and damage to the shed. Suncoast is not responsible for replacing parts damaged or property lost due to incorrect assembly.*

Note: *Complete the site preparation and foundation construction before unpacking parts and beginning assembly.*

Complete the site preparation and platform construction before unpacking parts.

To prepare your shed site, follow the below steps:

- 1) Consult your local authorities for building codes and covenants before beginning foundation or erecting shed.
- 2) Before any digging, check with local utilities to determine location of buried cables, pipes, etc.
- 3) Decide which type of foundation you want:
 - Concrete slab, 4" thick (**Recommended**)

 - or

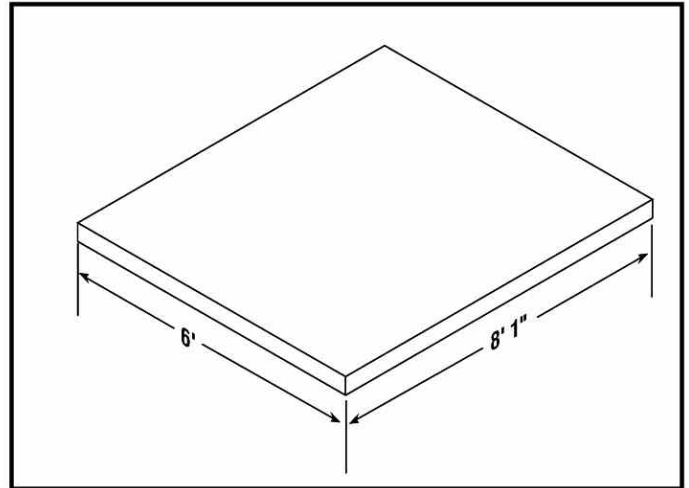
 - Wood platform (**Recommended**)
Use exterior grade wood. The wood platform should be set on pier blocks or footing. Consult your local retailer for help to determine the best anchoring method for your particular installation. The provided plans are sized for the minimum number of cuts to lumber and plywood.
- 4) Prepare the building site:
 - The ground should slope away from the foundation area to provide drainage.
 - The foundation surface must be flat and level.
 - A vapor barrier should be provided to prevent excessive condensation in the shed.
 - Follow local building codes for a proper vapor barrier.
- 5) Anchoring the shed to the foundation:
 - Consult your local retailer for help to determine the best anchoring method for your particular installation.
 - To secure the shed to a concrete pad, use masonry fasteners available at your local hardware retailer.
 - To secure the shed to a wood platform, use 1/4" x 2" long lag screws with washers. See diagram on page 10 for anchoring locations.

Site Preparation and Platform Construction (continued)

(Materials NOT supplied with Shed Kit)

Anchoring floor panel to concrete slab

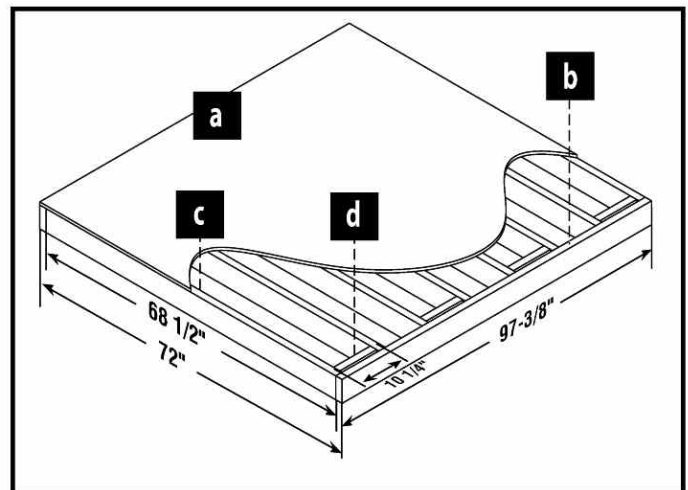
- Secure shed to concrete pad using masonry fasteners.
- Dimensions allow for shed to fit within the nearest 1" on each side.



Anchoring floor panel to wood platform

- Secure shed to wood platform using 1/4" x 2" lag screws.

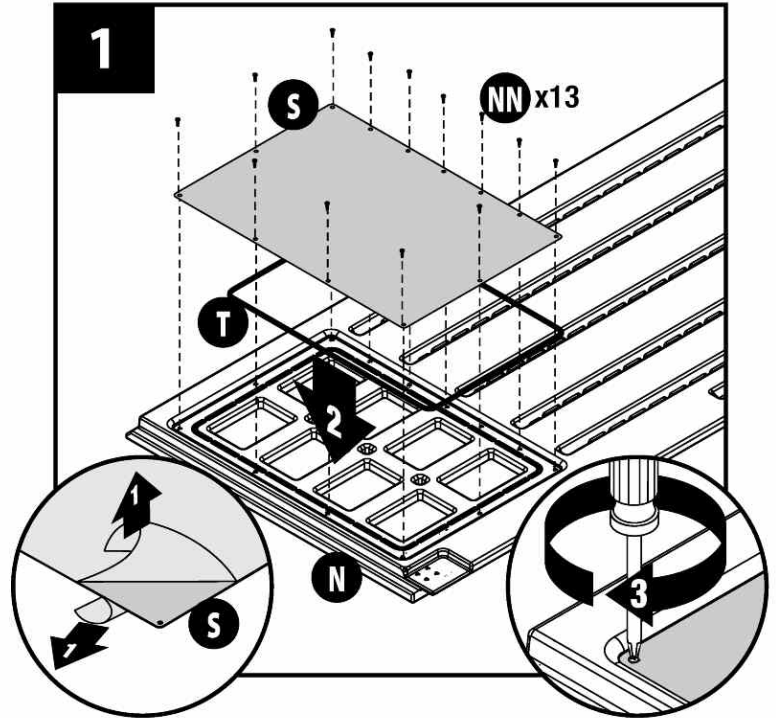
Wood Platform Materials List		
Item	Qty	Size
a	1	72" x 97 3/8" x 3/4" platform base
b	2	2" x 6" x 97 3/8"
c	8	2" x 6" x 68 1/2"
d	12	2" x 6" x 10 1/4"



Door Pre-Assembly

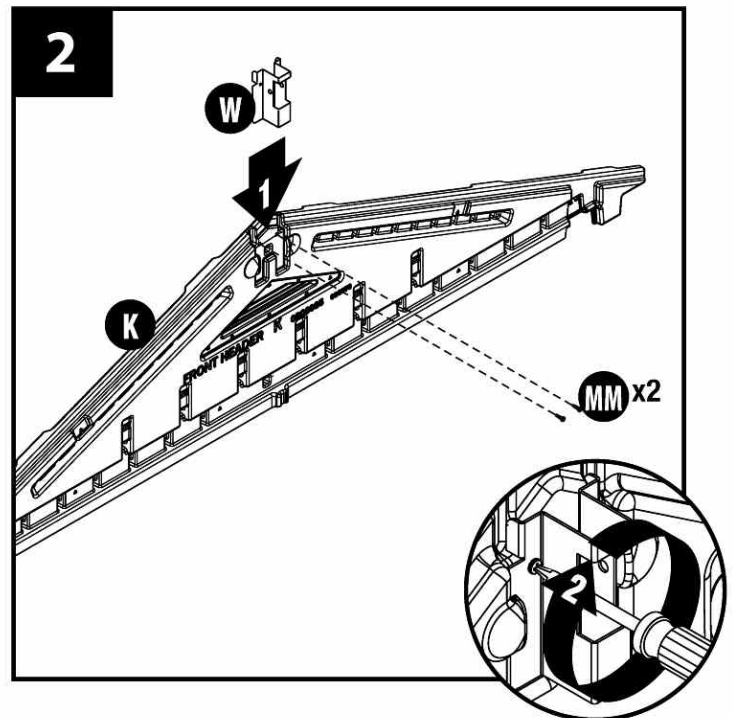
Peel film from both sides of window (S). Lay left door (N) on flat ground with the window screw attachments facing up. Layer into the door channel first the window gasket (T), then the window (S). Cut excess gasket length. Through the back of the door, secure layers with thirteen screws (NN) (start with four corner screws and then finish with remaining screws). **DO NOT** over tighten screws. Repeat on right door (M).

Note: The cut portion of the window gasket (T) **MUST** be assembled to the top of the door channel.

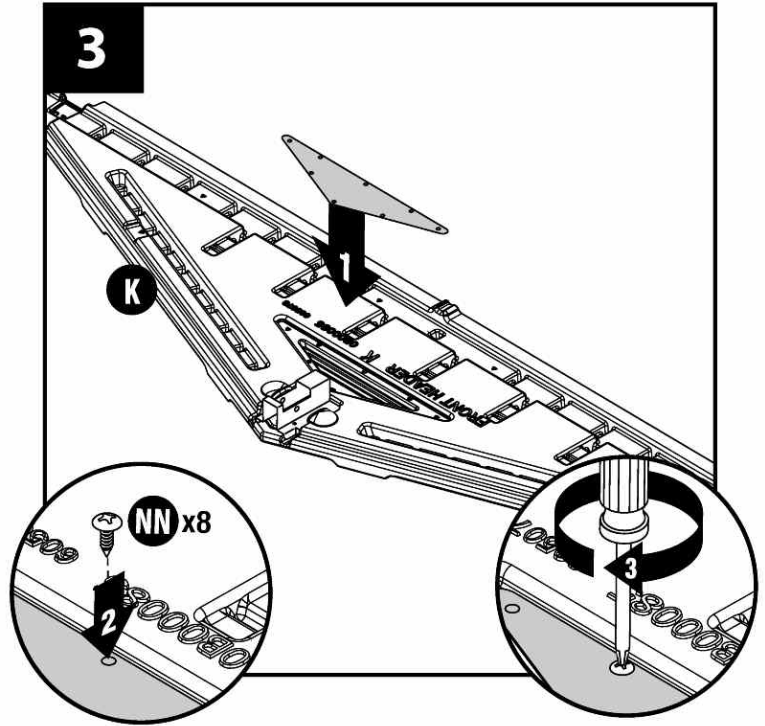


Header Pre-Assembly

Slide roof ridge beam bracket (W) under tabs on the inside peak of the front header (K) and secure with two screws (MM). **DO NOT** over tighten screws. Repeat for rear header (L).

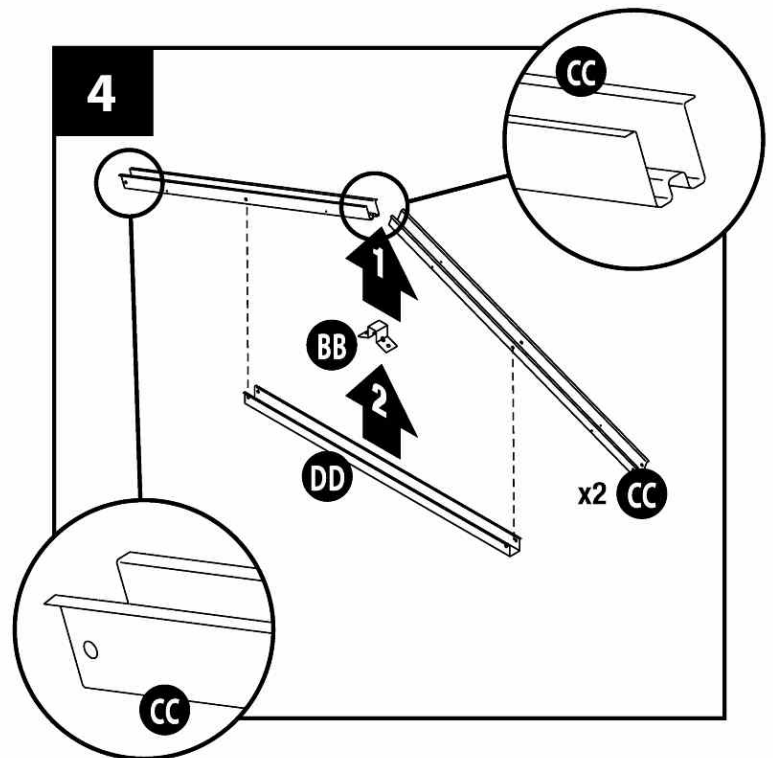


Lay front header (K) on ground with lettering facing up. Place vent screen (Z) into rear opening in front header (K). Secure through back of header with eight screws (NN). **DO NOT** over tighten screws. Repeat for rear header (L).

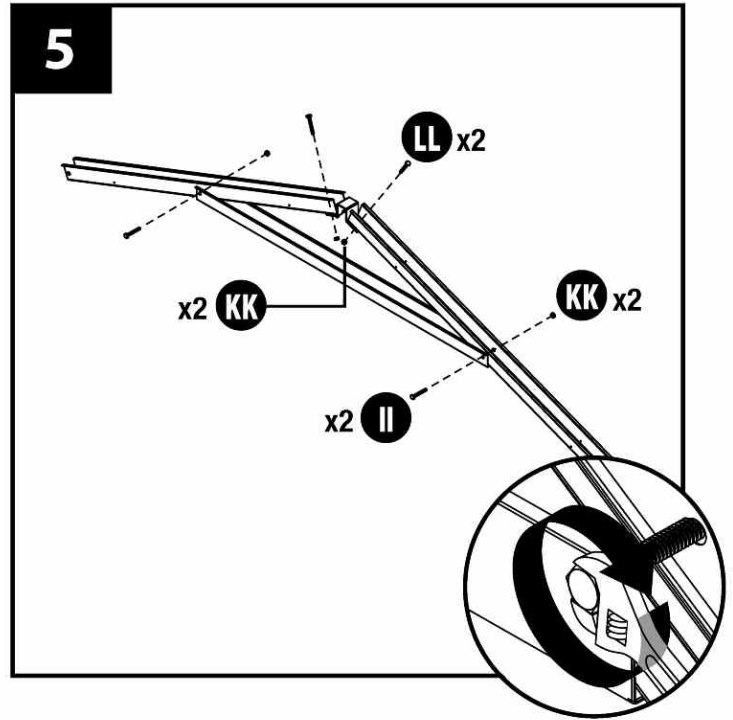


Truss Pre-Assembly

Place one truss leg (CC) at each side of the truss bracket (BB). Place truss cross brace (DD) under both truss legs.

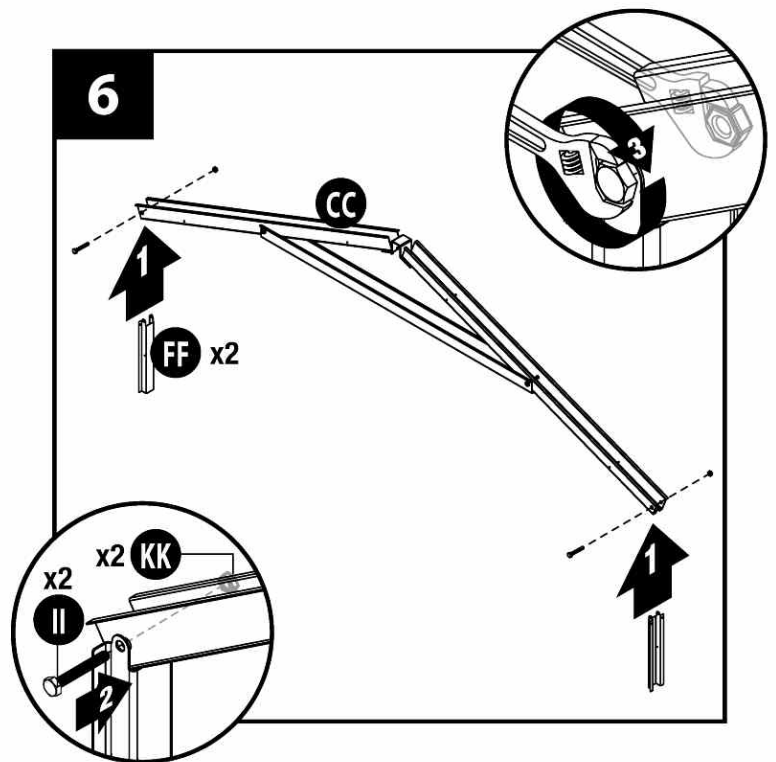


Attach truss legs to truss bracket using one 1" hex head cap screw (LL) and one nut (KK) at each end of bracket. Attach truss cross brace to truss legs using one 2" hex head cap screw (II) and one nut (KK) at each end of truss cross brace. Stand A-configuration truss on its feet and check truss cross brace is level. Repeat Steps 4 and 5 for second truss.

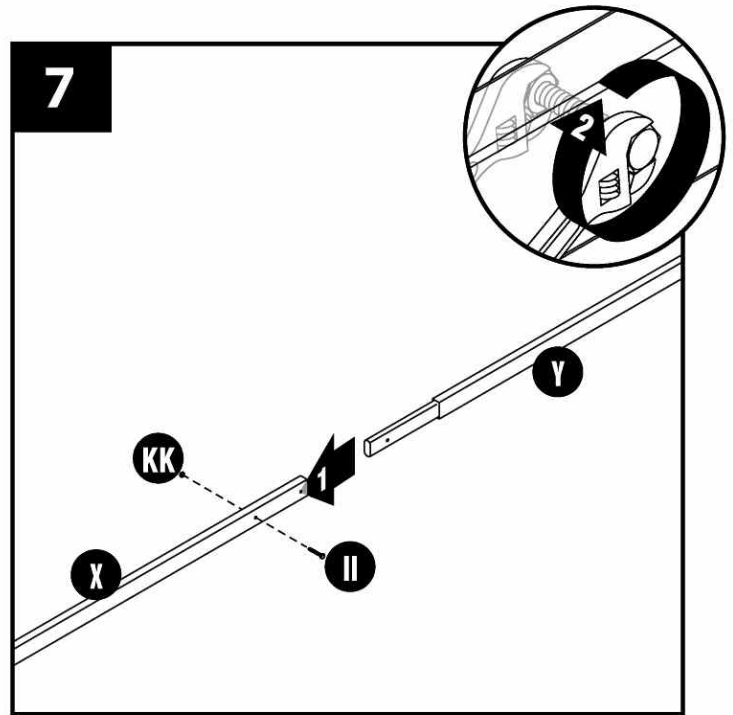


Place one truss tie down (FF) at each end of truss legs (CC). Secure each truss tie down with one 2" hex head cap screw (II) and one nut (KK). Repeat for second truss.

Note: DO NOT over tighten truss tie down (FF) onto end of truss legs (CC). This makes roof assembly difficult.

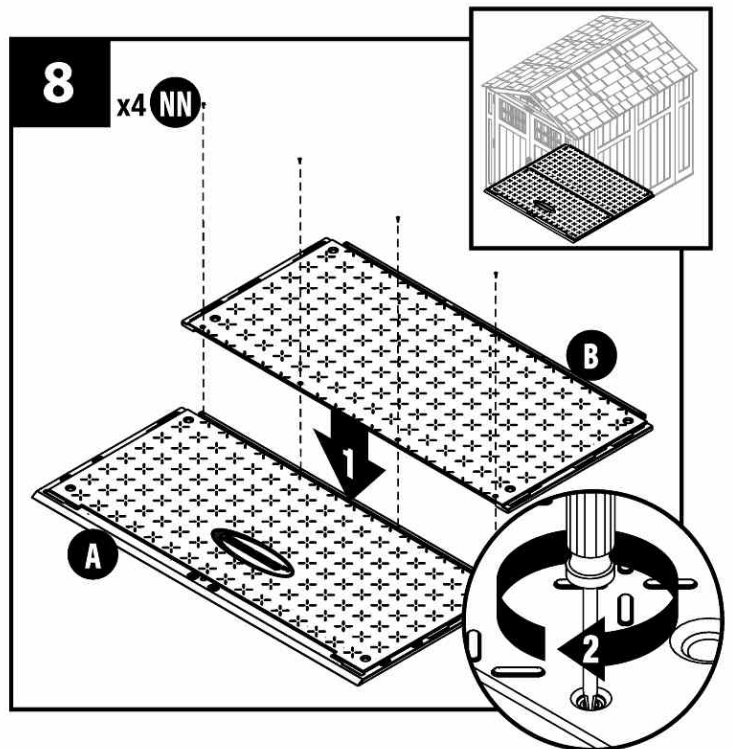


Insert the roof ridge beam extension (Y) into the ridge beam (X). Secure with one 2" hex head cap screw (II) and one nut (KK).

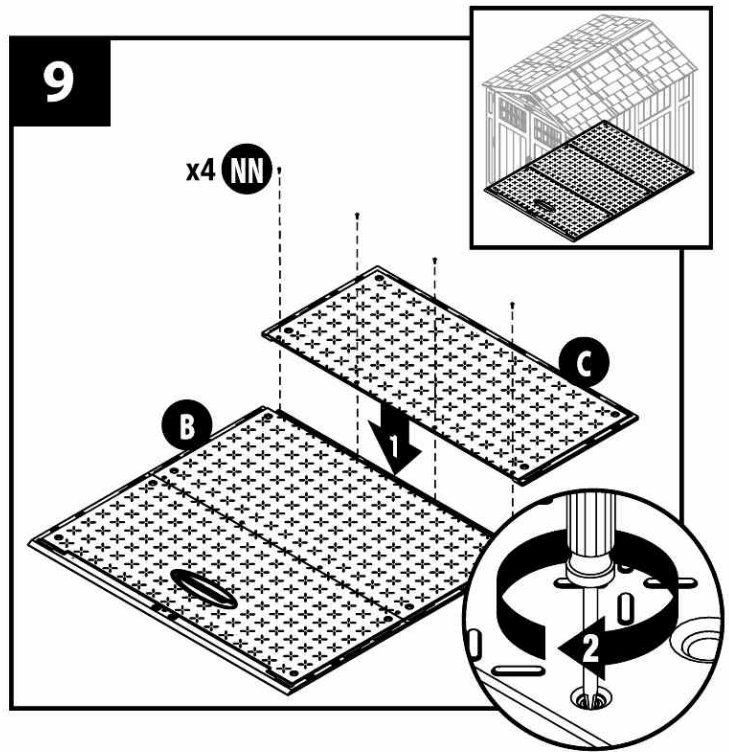


Shed Assembly

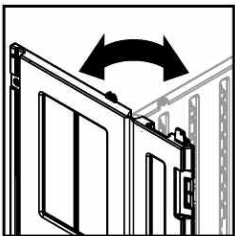
Align the tongue in front floor (A) with the groove in mid floor (B) and secure with four screws (NN).



Align the tongue in mid floor (B) with the groove in rear floor (C) and secure with four screws (NN).

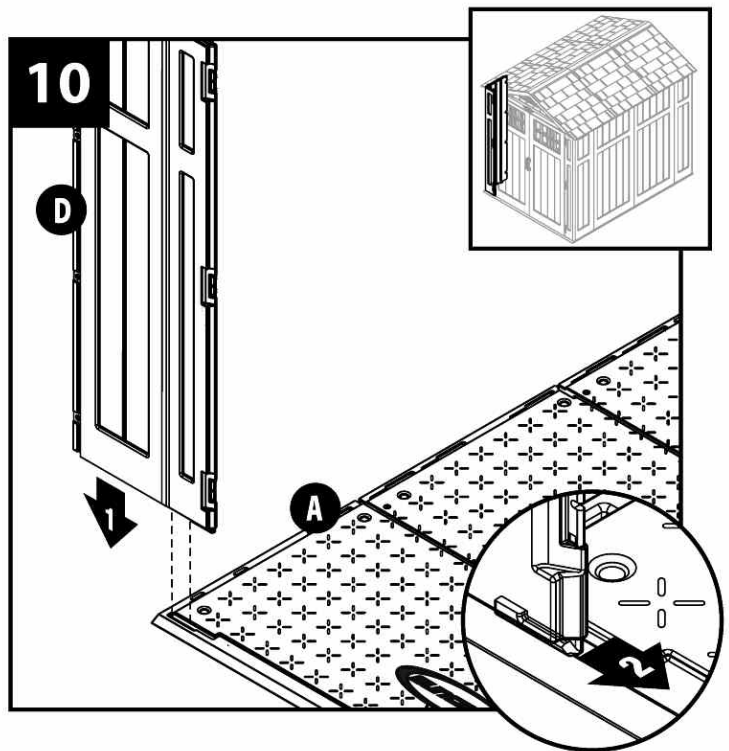
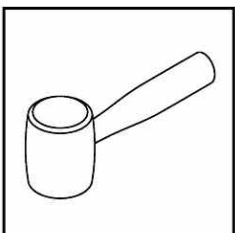


Critical: Flex left front corner (D) hinge back and forth several times. This will help provide a square corner and ensure proper fit of remaining panels.



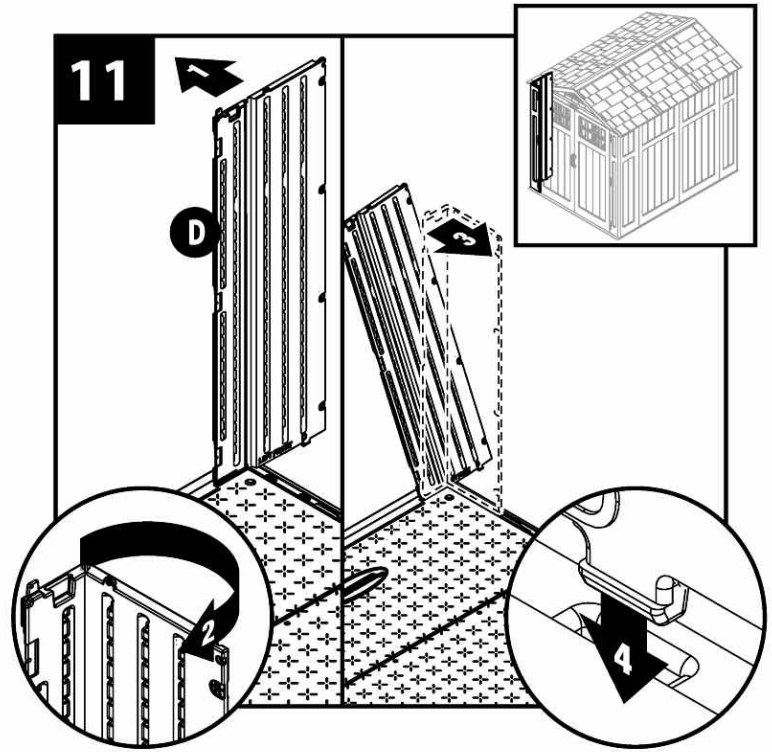
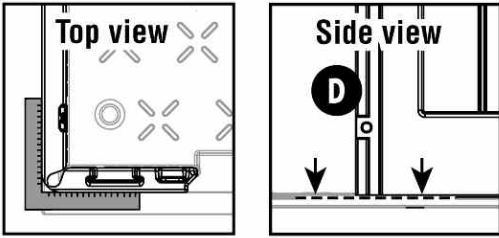
With at least two people, align the tab on the bottom right side of the left front corner (D) with the slot on front floor (A). Lower the panel into the slot and lock in place by sliding the panel toward the door opening.

Note: Use a rubber mallet to “push” left front corner (D) into locked position.



Tip the left front corner (D) outward slightly. Bend the corner hinge, then tip the panel back to vertical position, making sure to align the lower tabs on the right side with the slots in the front floor.

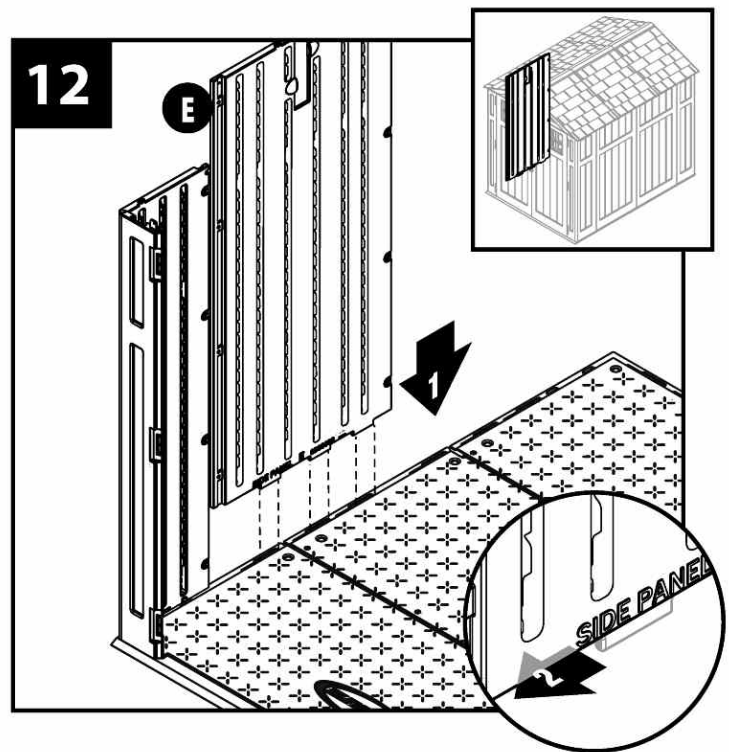
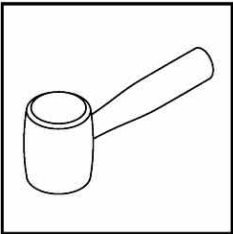
Before proceeding, make sure the corner is square where it meets the floor and that the panel is flush with the floor. If not, repeat Steps 10 and 11 until square and flush.



With at least two people, align the tabs on the bottom of side panel (E) with the slots along the left side of the front and mid floor panels. Lower the panel into the slots and lock in place by sliding the panel toward the corner.

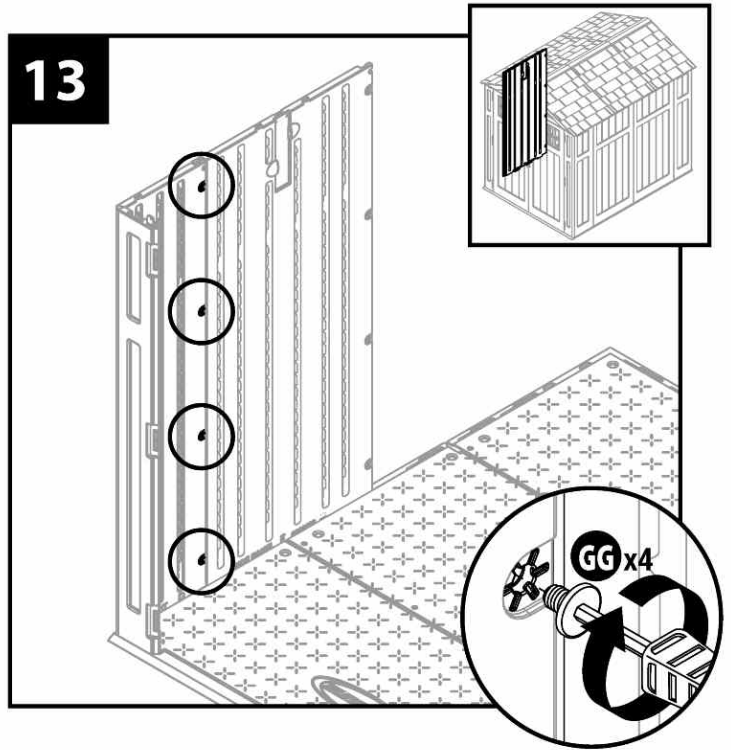
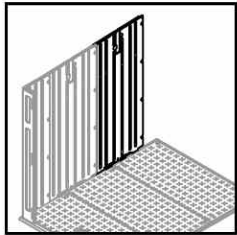
Note: To allow the side panel to overlap front left corner, tilt out slightly as you slide it into position.

Note: Use a rubber mallet to “push” side panel (E) into locked position, aligned with left front panel.

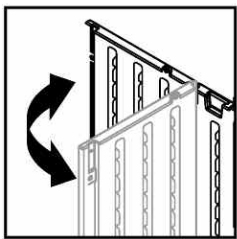


Secure the corner with four easy bolts (GG). Work from floor to roof. **DO NOT** use torque wrench. Use easy bolt easy driver and hand tighten. Easy bolt head will be flush when fully seated. **DO NOT** over tighten easy bolts.

Repeat Steps 12 and 13 for next left side panel.

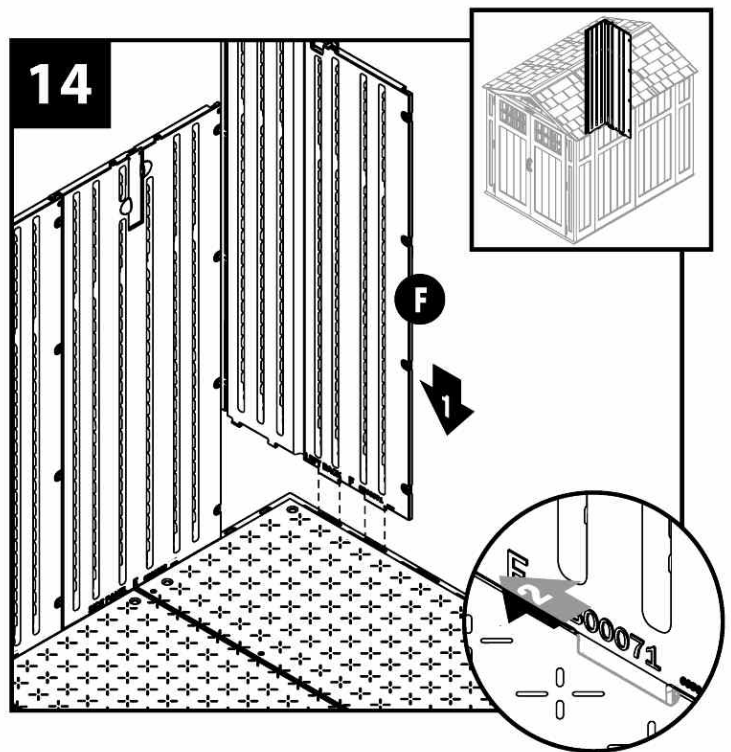
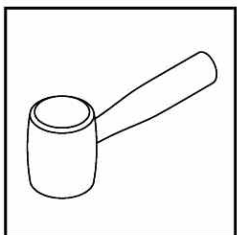


Critical: Flex left back corner (F) hinge back and forth several times. This will help provide a square corner and ensure proper fit of remaining panels.



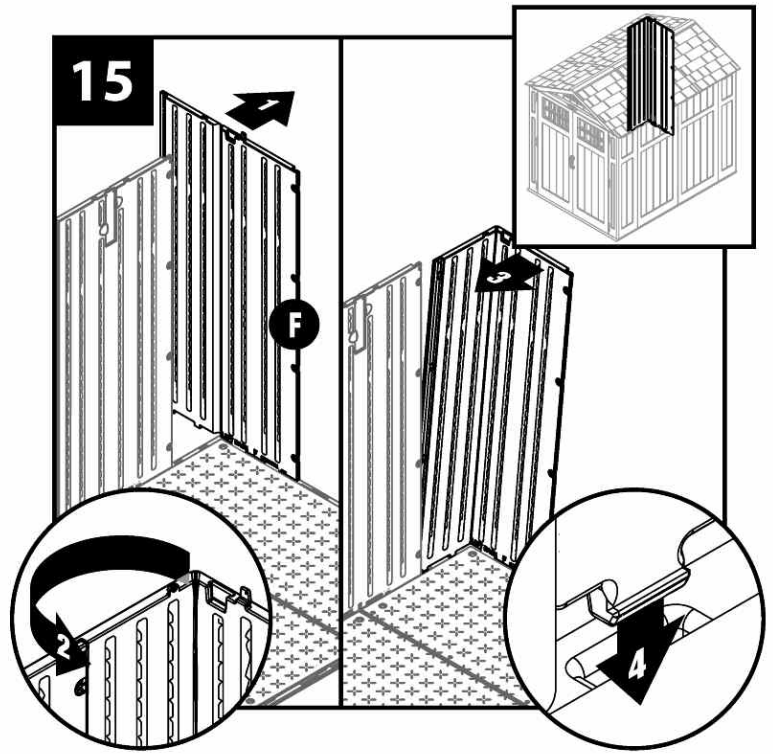
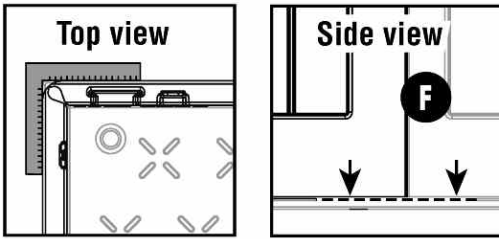
With at least two people, align the tabs on the bottom right side of left back corner (F) with slots along rear floor. Lower the panel into the slots and lock in place by sliding the panel toward the corner.

Note: Use a rubber mallet to “push” left back corner (F) into locked position.

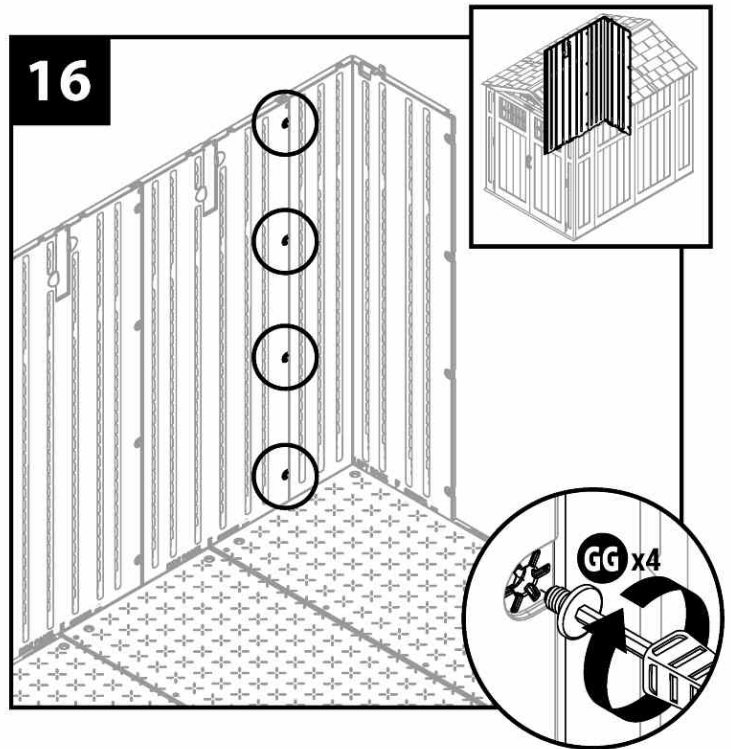


Tip the left back corner (F) outward slightly. Bend the corner hinge, then tip the panel back to vertical position making sure to align the lower tabs on the left side with the slots in the rear floor. Left back corner should align and overlap previously installed side panel.

Before proceeding, make sure the corner is square where it meets the floor and that the panel is flush with the floor. If not, repeat Steps 14 and 15 until square and flush.



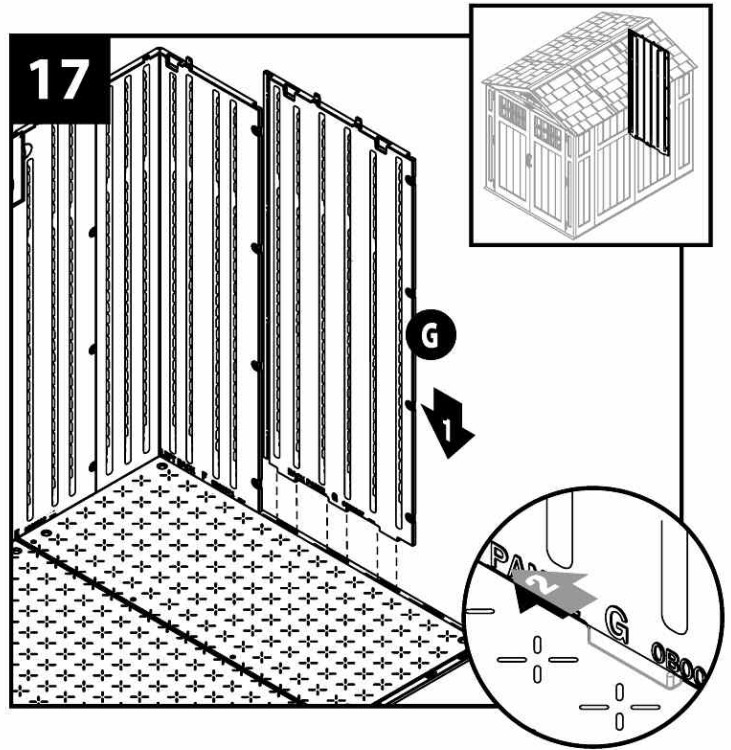
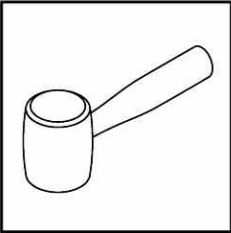
Secure the corner with four easy bolts (GG). Work from floor to roof. **DO NOT** use torque wrench. Use easy bolt easy driver and hand tighten. Easy bolt head will be flush when fully seated. **DO NOT** over tighten easy bolts.



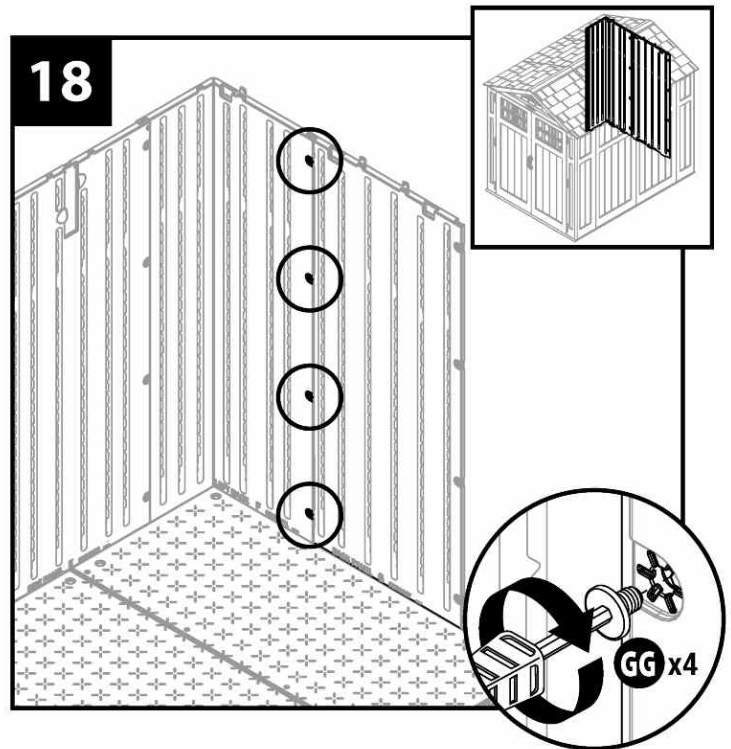
With at least two people, align the tabs on the bottom of back panel (G) with the slots along the rear floor. Lower back panel into the slots and lock in place by sliding the panel toward the corner.

Note: To allow the back panel to overlap left back corner, tilt out slightly as you slide it into position.

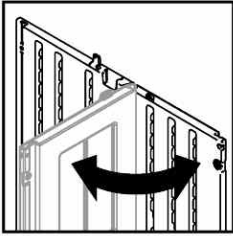
Note: Use a rubber mallet to “push” side panel (G) into locked position, aligned with left back corner.



Secure the back panel with four easy bolts (GG). Work from floor to roof. **DO NOT** use torque wrench. Use easy bolt easy driver and hand tighten. Easy bolt head will be flush when fully seated. **DO NOT** over tighten easy bolts.



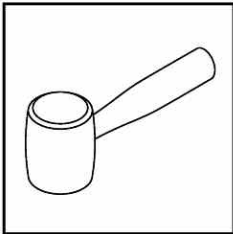
Critical: Flex right back corner (H) hinge back and forth several times. This will help provide a square corner and ensure proper fit of remaining panels.



With at least two people, align the tabs on the bottom left side of right back corner (H) with slots along rear floor. Lower the panel into the slots and lock in place by sliding the panel toward the back panel.

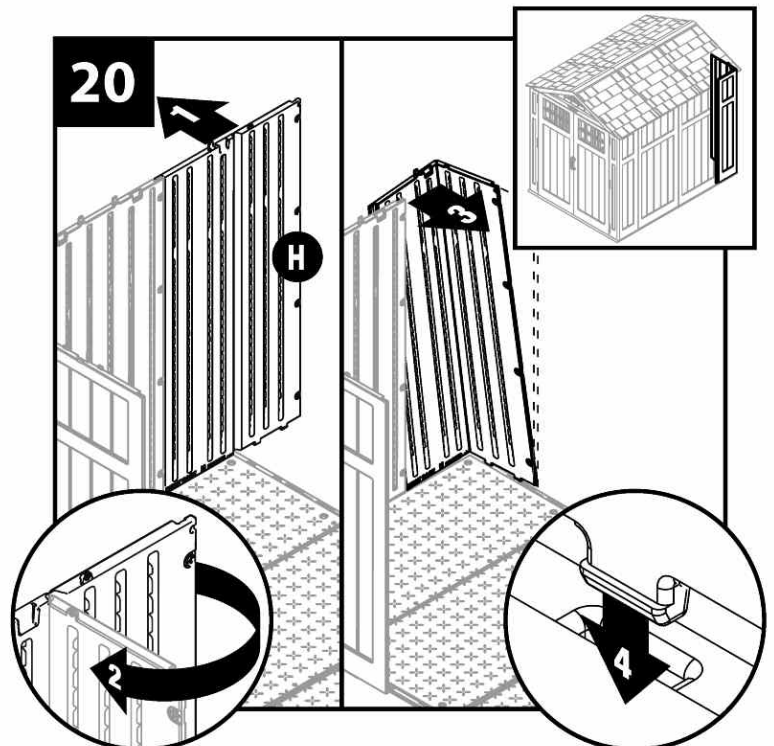
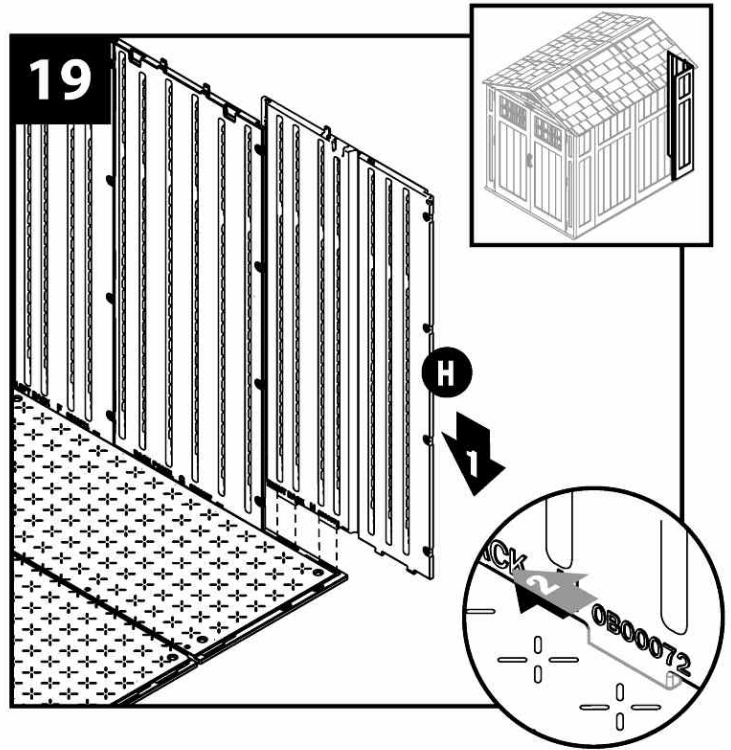
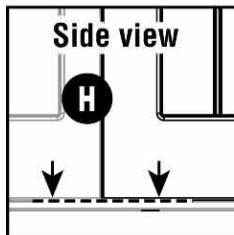
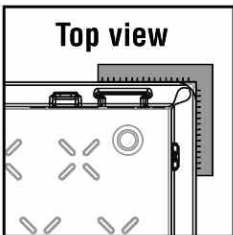
Note: To allow the right back corner to overlap back panel, tilt out slightly as you slide it into position.

Note: Use a rubber mallet to “push” right back corner (H) into locked position, aligned with previously installed back panel.

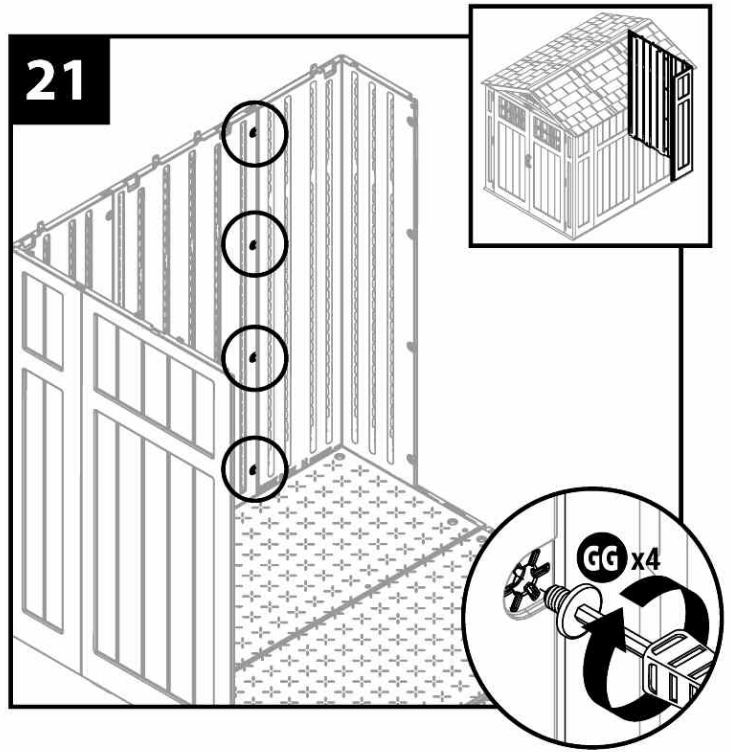


Tip the right back corner (H) outward slightly. Bend the corner hinge, then tip the panel back to vertical position making sure to align the lower tabs on the right side with the slots in the rear floor.

Before proceeding, make sure the corner is square where it meets the floor and that the panel is flush with the floor. If not, repeat Steps 19 and 20 until square and flush.



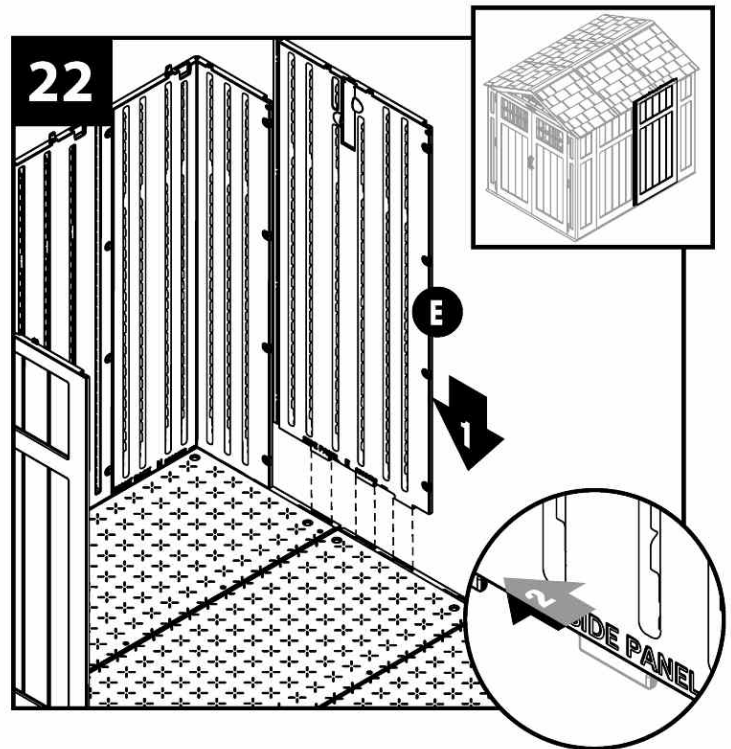
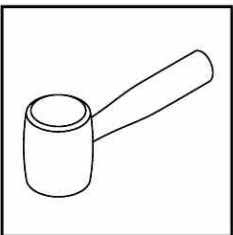
Secure the corner with four easy bolts (GG). Work from floor to roof. **DO NOT** use torque wrench. Use easy bolt easy driver and hand tighten. Easy bolt head will be flush when fully seated. **DO NOT** over tighten easy bolts.



With at least two people, align the tabs on the bottom of side panel (E) with the slots along the mid and rear floor. Lower the side panel into the slots and lock in place by sliding the panel toward the rear corner.

Note: To allow the side panel to overlap the right back corner, tilt out slightly as you slide it into position.

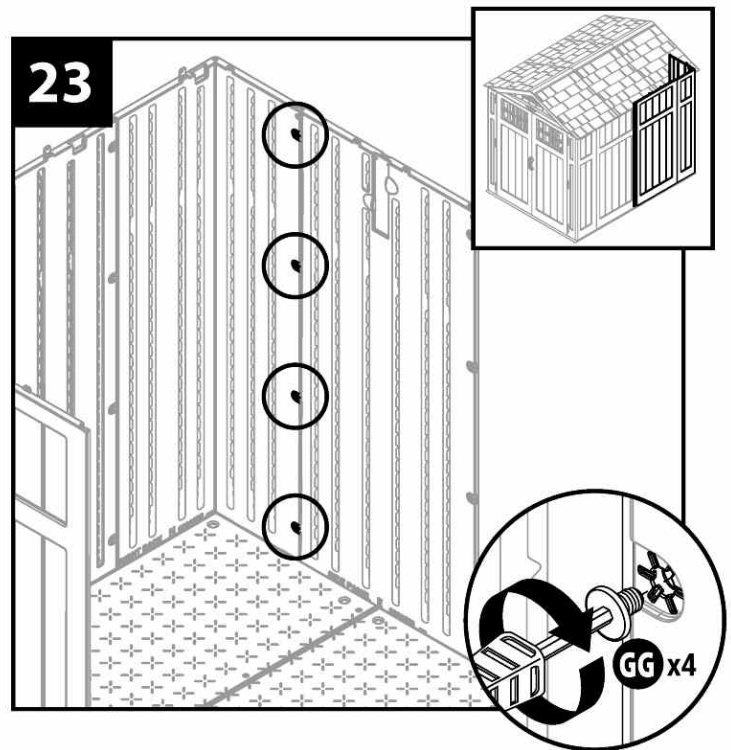
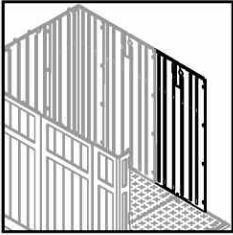
Note: Use a rubber mallet to “push” side panel (E) into locked position, aligned with right back corner.



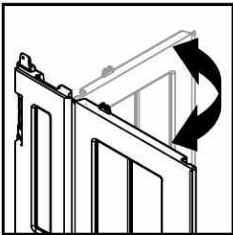
For clarity, illustration is shown with left front corner and left side panel removed.

Secure to the corner with four easy bolts (GG). Work from floor to roof. **DO NOT** use torque wrench. Use easy bolt easy driver and hand tighten. Easy bolt head will be flush when fully seated. **DO NOT** over tighten easy bolts.

Repeat Steps 22 and 23 for next right side panel.

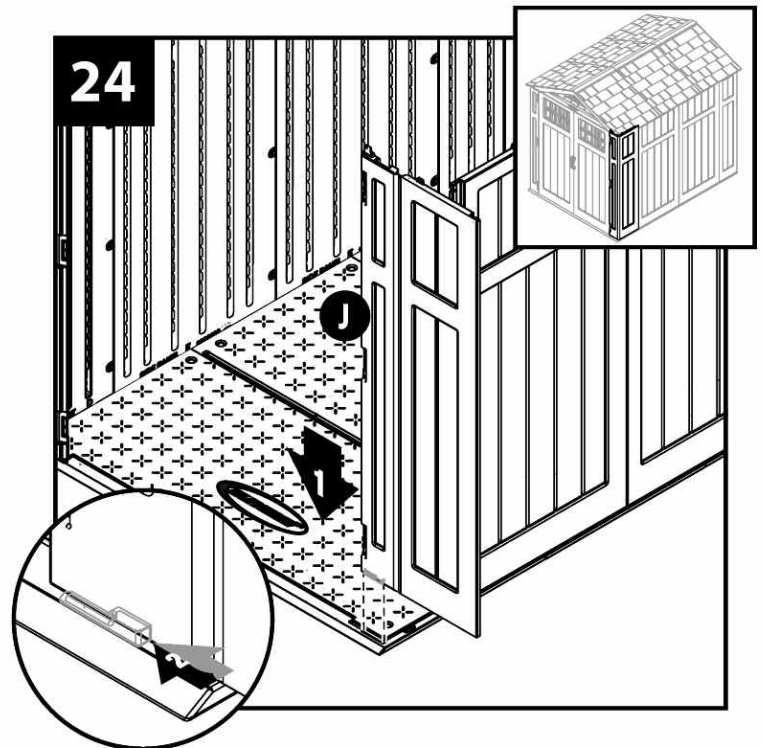
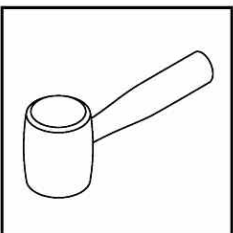


Critical: Flex right front corner (J) hinge back and forth several times. This will help provide a square corner and ensure proper fit of remaining panels.



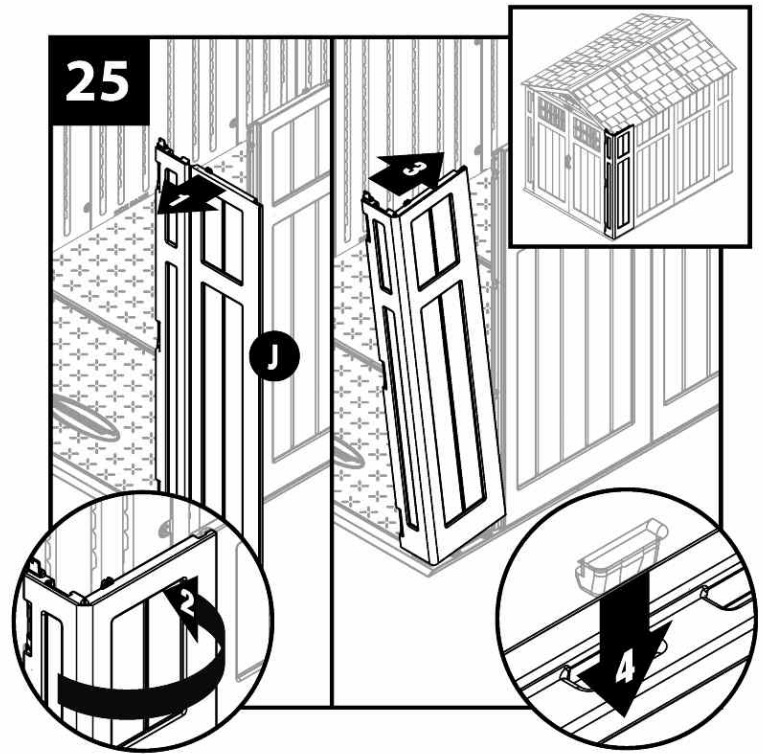
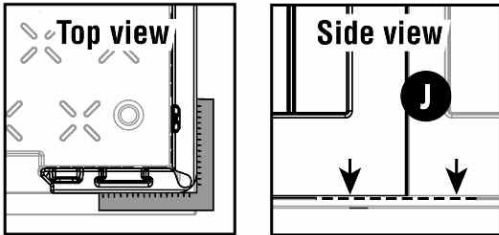
With at least two people, align the tabs on the bottom left side of right front corner (J) with slots along front of front floor. Lower the corner into the slots and lock in place by sliding the corner toward the door opening.

Note: Use a rubber mallet to “push” right front corner (J) into locked position.

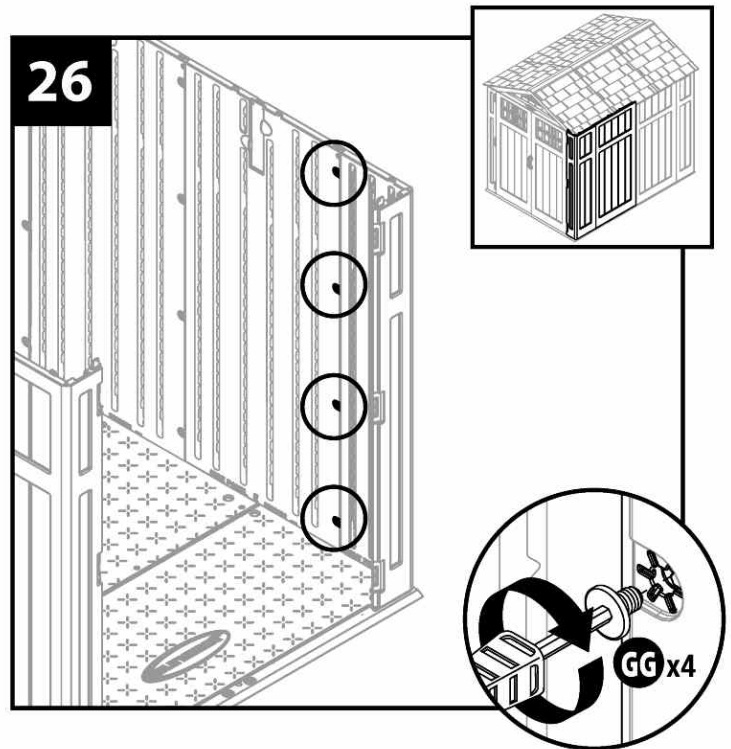


Tip the right front corner (J) outward slightly. Bend the corner hinge, then tip the panel back to vertical position making sure to align the lower tabs on right side with the slots in the front floor.

Before proceeding, make sure the corner is square where it meets the floor and that the panel is flush with the floor. If not, repeat Steps 24 and 25 until square and flush.



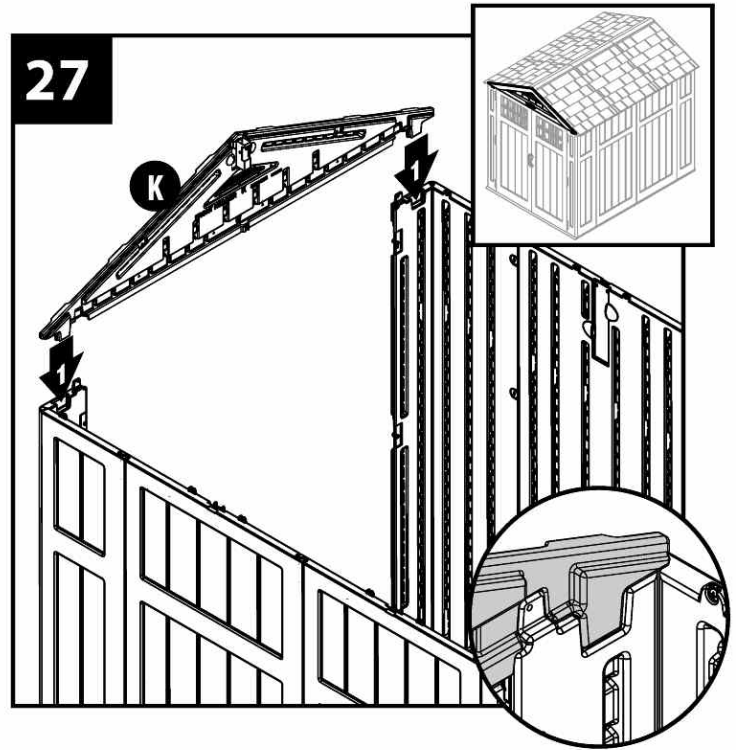
Secure the corner with four easy bolts (GG). Work from floor to roof. **DO NOT** use torque wrench. Use easy bolt easy driver and hand tighten. Easy bolt head will be flush when fully seated. **DO NOT** over tighten easy bolts.



With at least two people, place front header (K) over the door opening and fit the two protruding support legs on the left and right front corners into the pockets molded in the front header.

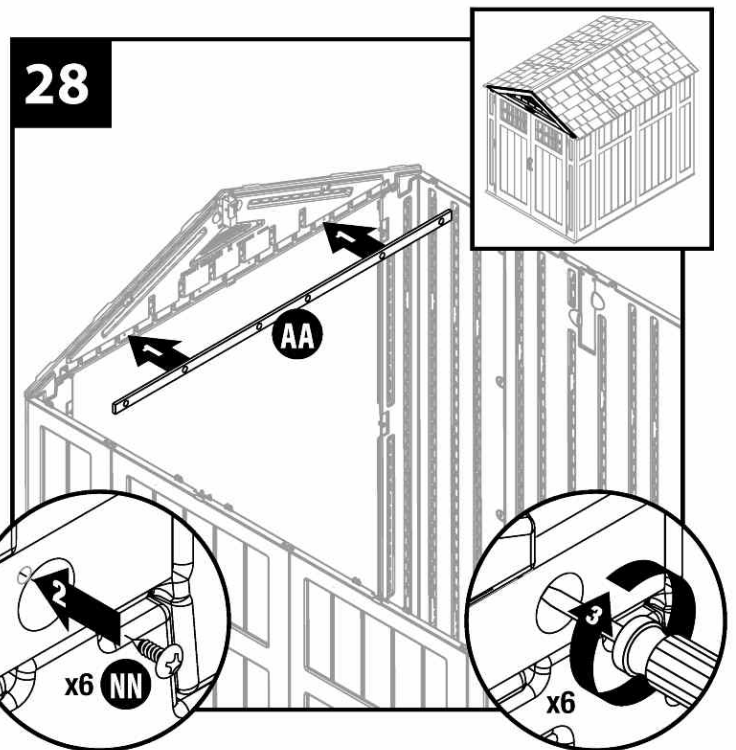
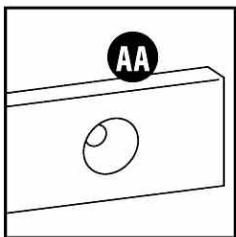
Tabs on front header must be seated in header channel pocket.

Note: DO NOT leave front header unsupported until header beam (AA) is secured (step 28).

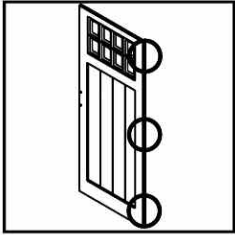


Secure the front header with the header beam (AA) and attach with six screws (NN).

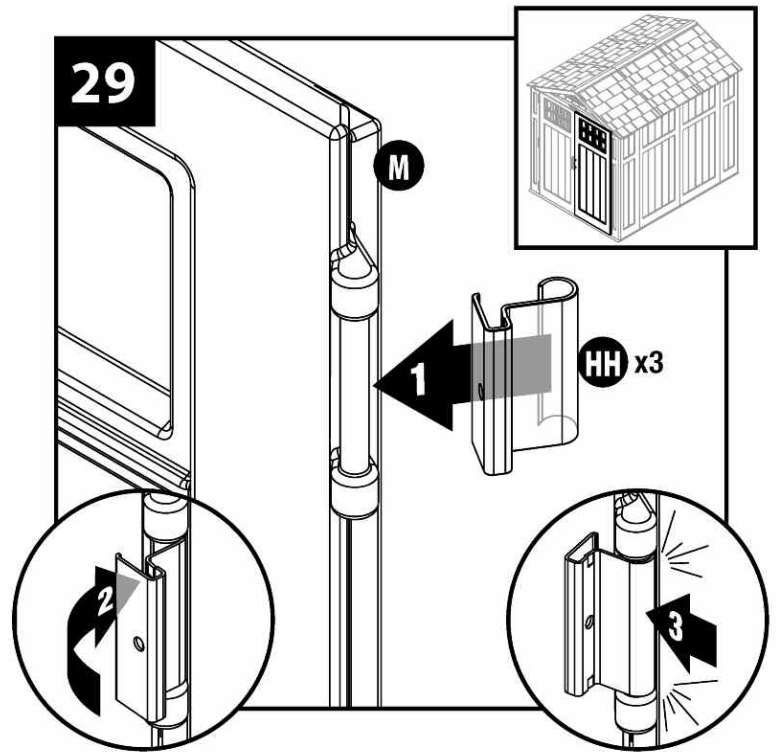
Note: Header beam (AA) has large holes on one side and small holes on the other side. The small holes must face the header.



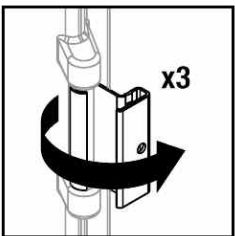
Stand the right door (M) upright with the three hinge mounts facing right. Slide one metal hinge plate (HH) onto each hinge mount. Rotate the hinge plates to the outside of the door. Snap the metal hinge plate into place by pushing towards door.



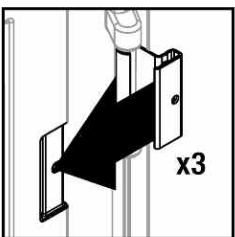
Repeat for left door (N).



Rotate metal hinge plates to open position.

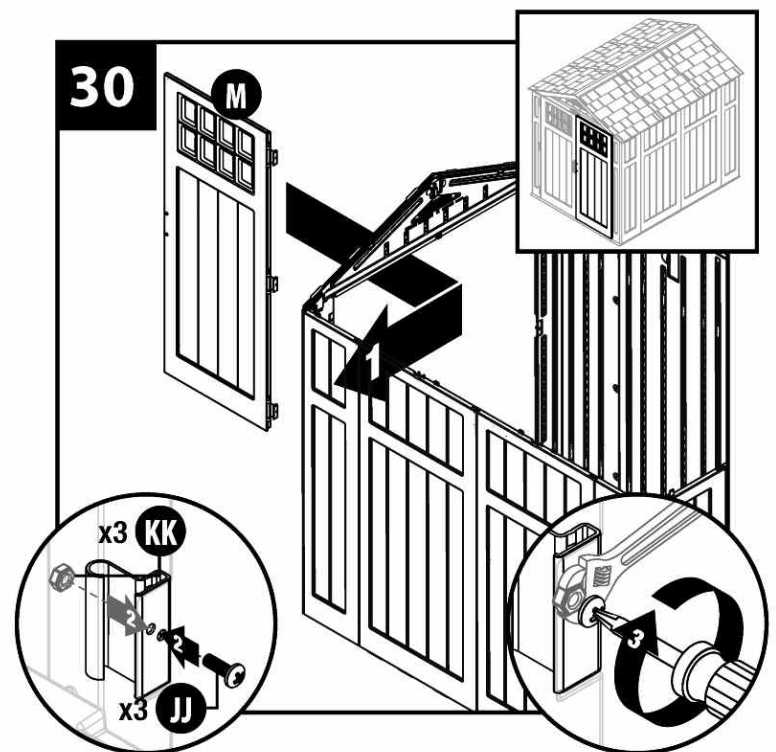


Slide one metal hinge plate over each hinge receptacle on the inside of right front panel.



Secure each metal hinge plate with one screw (JJ) and one nut (KK).

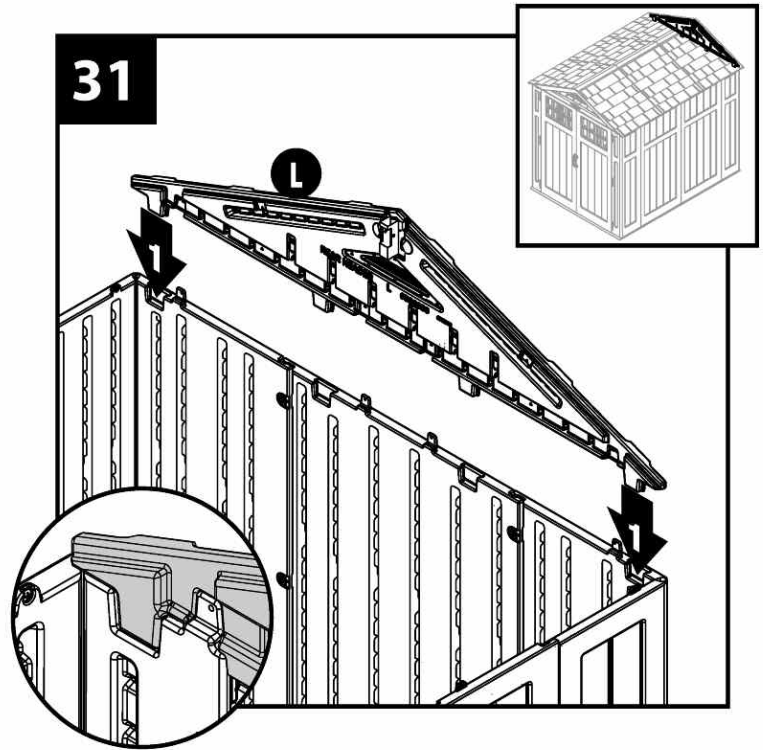
Repeat for left door (N).



With at least two people, place rear header (L) over the back walls and fit the two protruding support legs on the left and right back corners into the pockets molded in the rear header.

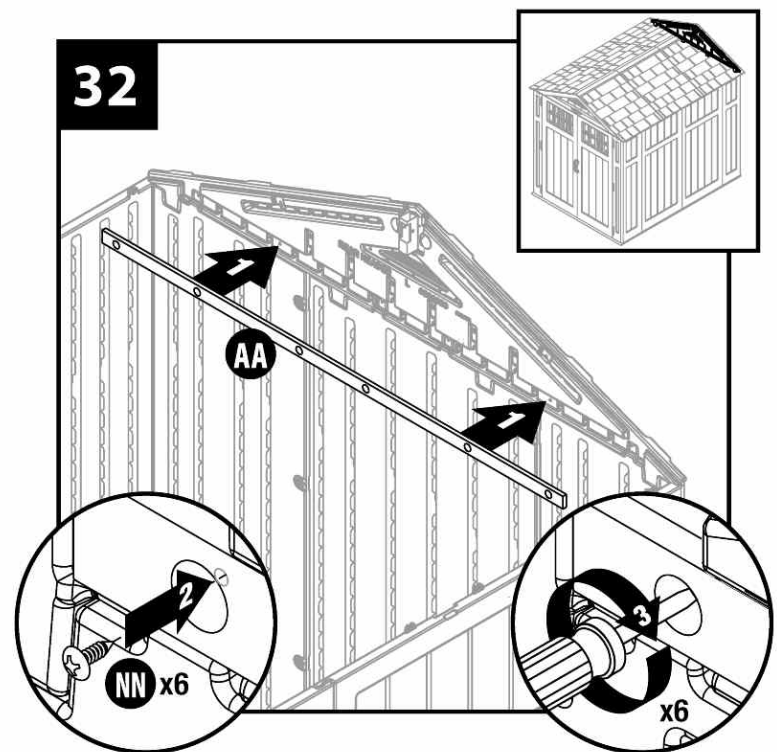
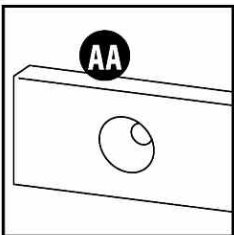
Tabs on rear header must be seated in header channel pocket.

Note: DO NOT leave rear header unsupported until header beam (AA) is secured (step 32).



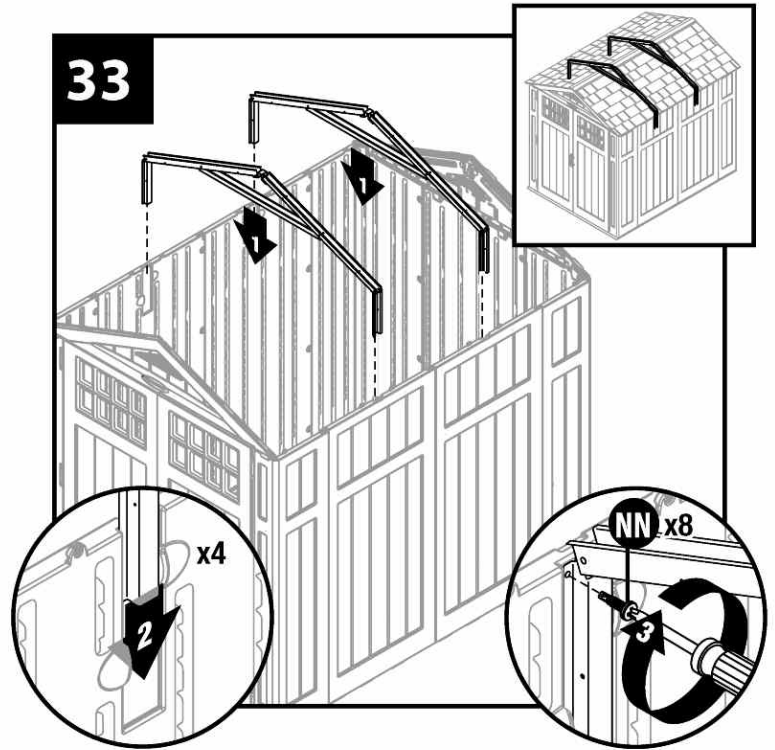
Secure the rear header with the header beam (AA) and attach with six screws (NN).

Note: Header beam (AA) has large holes on one side and small holes on the other side. The small holes must face the header.



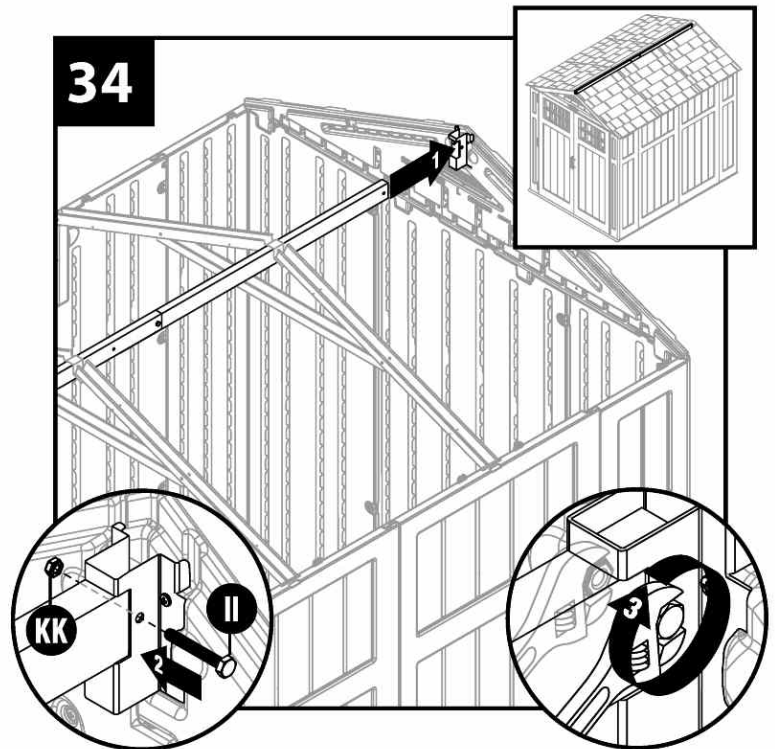
With at least two people, slide the truss assemblies into place, then secure to the side panels with two screws (NN) in each truss tie down.

Note: This may require the side panels to be pushed inwards or outwards slightly as the brackets are slid into place.



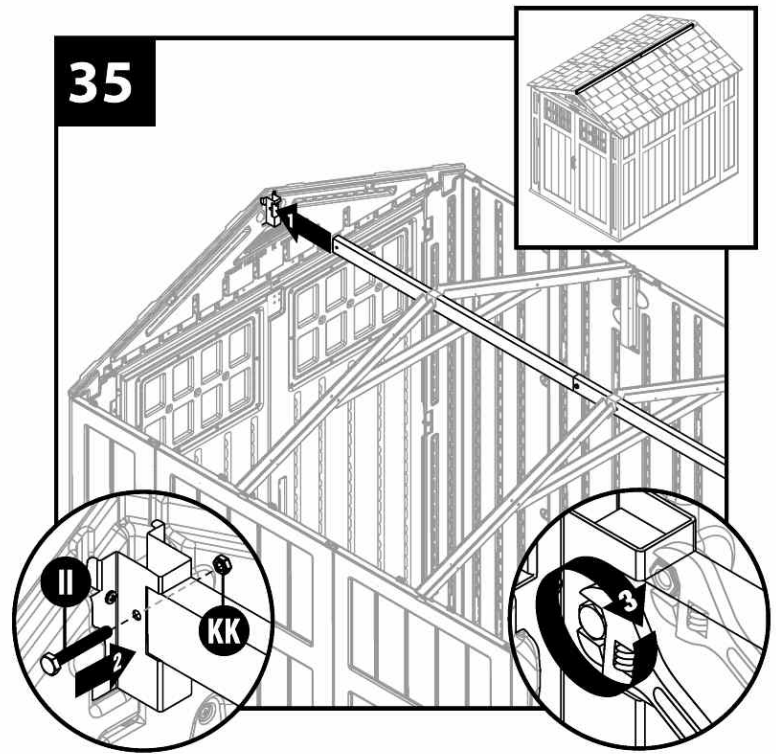
With at least two people, raise the ridge beam assembly up and into the rear roof ridge beam bracket. Secure with one 2" hex head cap screw (II) and one nut (KK).

Note: Alignment of the ridge beam to the bracket may require the header panels to be pushed inwards or outwards slightly as the ridge beam is slid into place.

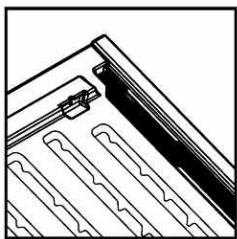


With at least two people, push the ridge beam assembly toward the rear to clear the front roof ridge beam bracket. Then, insert beam into front bracket. Secure with one 2" hex head cap screw (II) and one nut (KK).

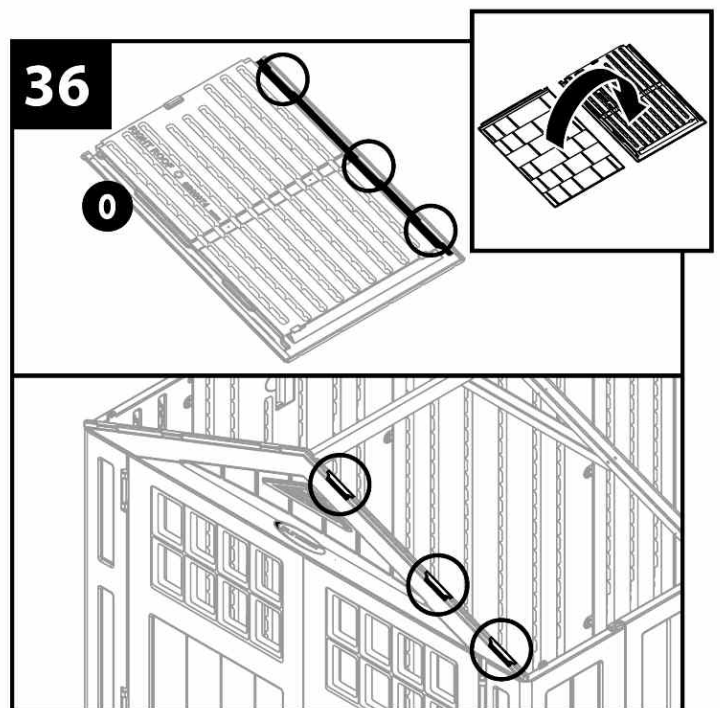
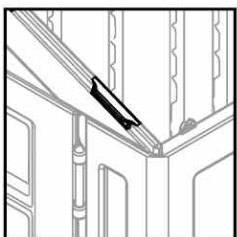
CAUTION: Be very careful positioning ridge beam to avoid harm to persons or damage to property. **DO NOT** stand beneath beam until it is secured with screws and nuts.



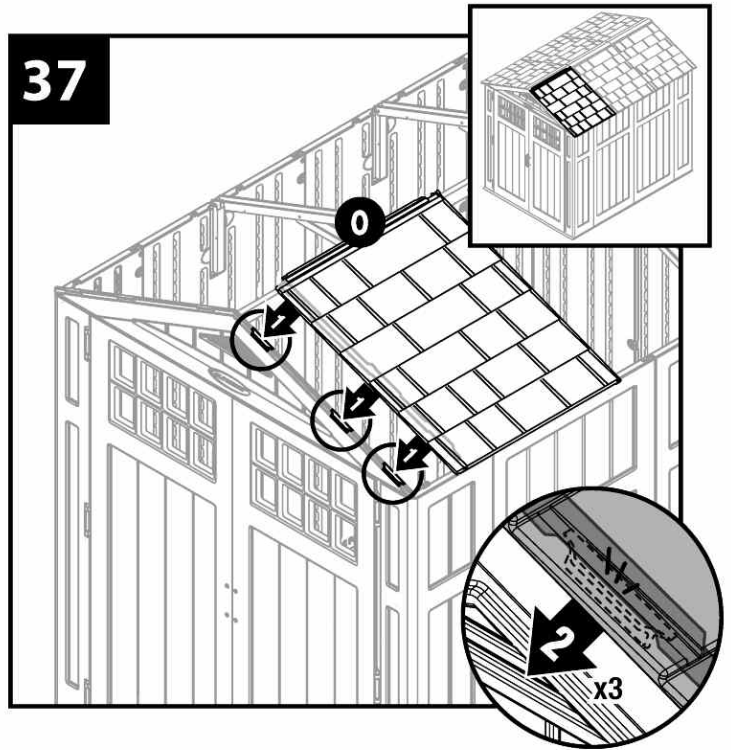
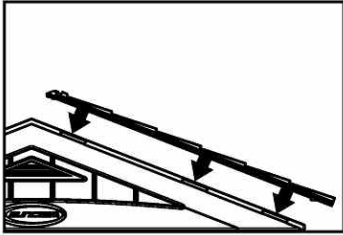
Locate and identify channels on interior side of one right roof (O). Locate three underside tabs contained within the channels.



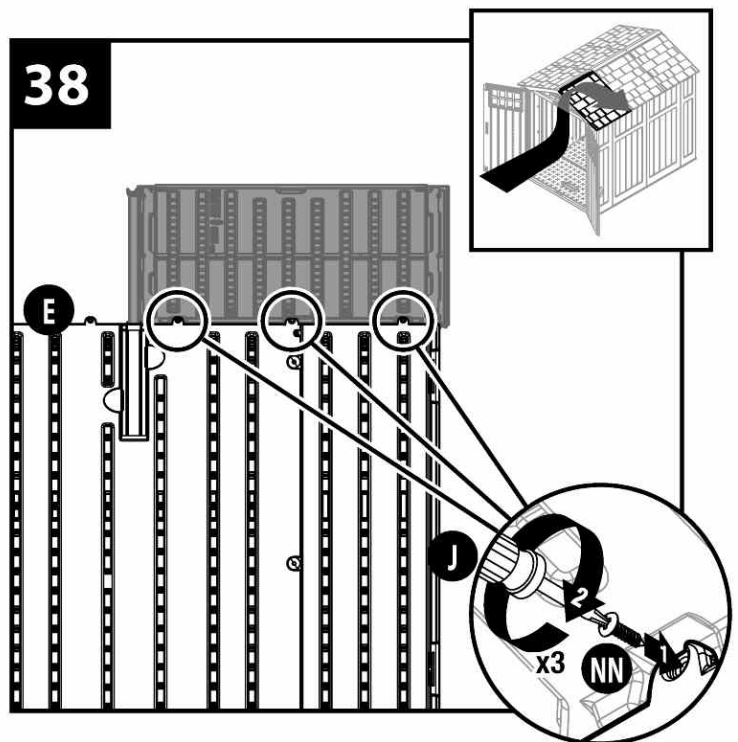
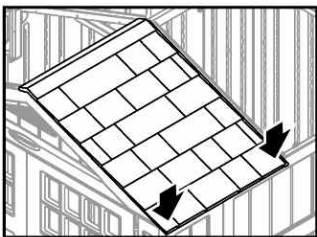
Locate and identify the three front header tabs.



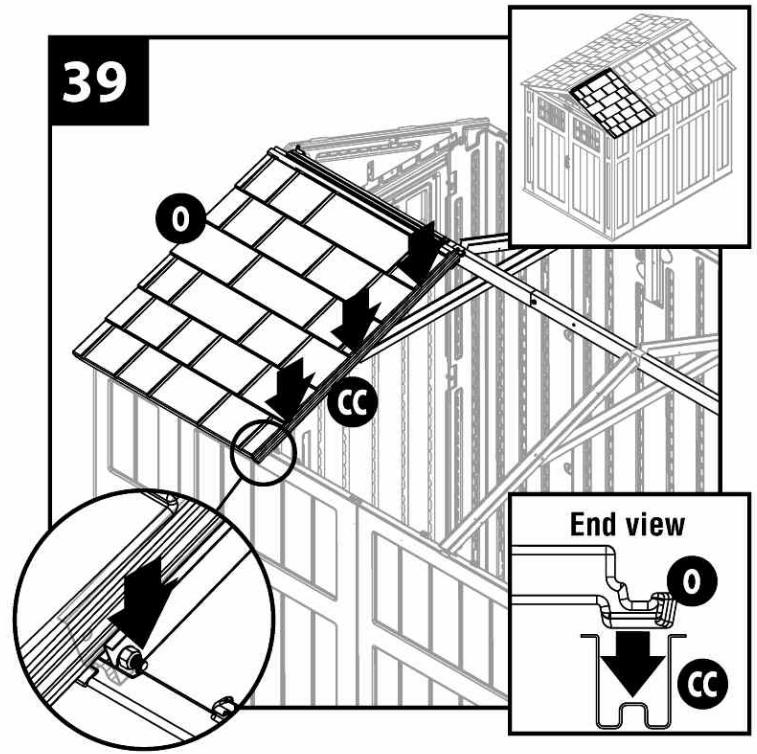
With at least two people, lay right roof (O) directly over the three tabs on the right side of the front header. With the right roof channel seated over/on the header tabs, pull the right roof downward at each header tab until the roof snaps in place.



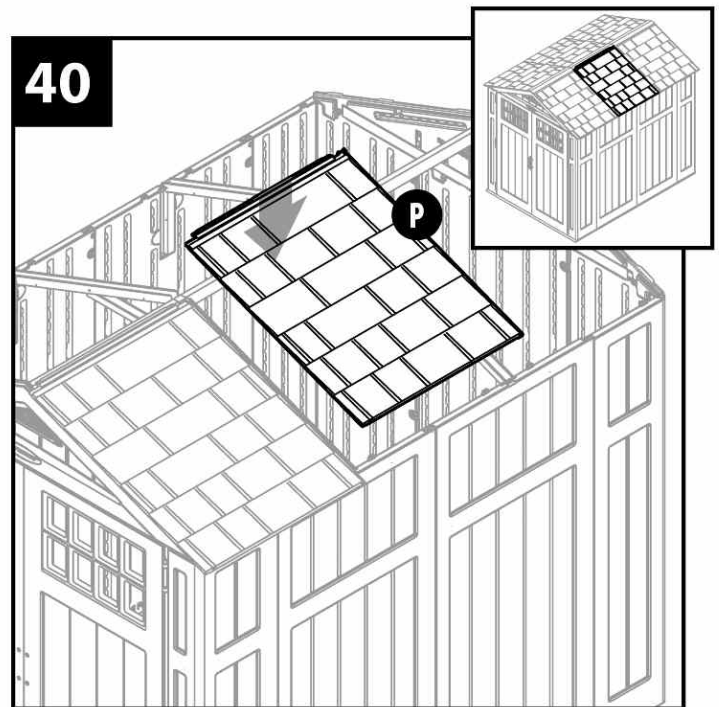
With a second person, pull down each lower corner of roof from outside. Attach tabs on side panel (E) and front right corner (J) to the roof panel with a screw (NN).



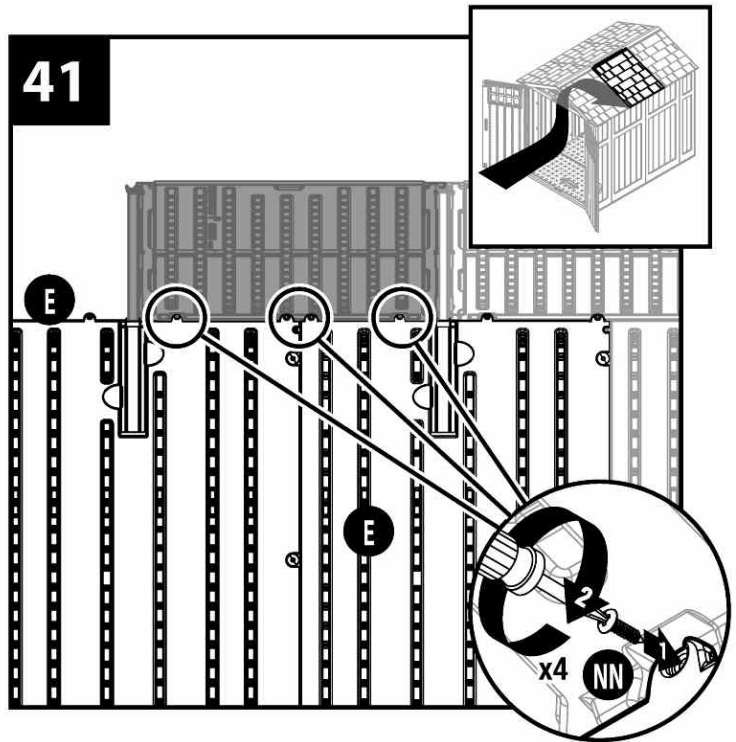
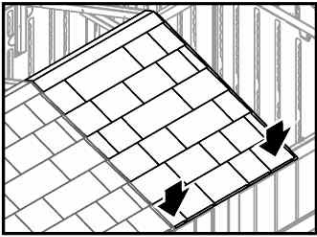
Press edge of right roof (O) into channel on truss leg (CC).



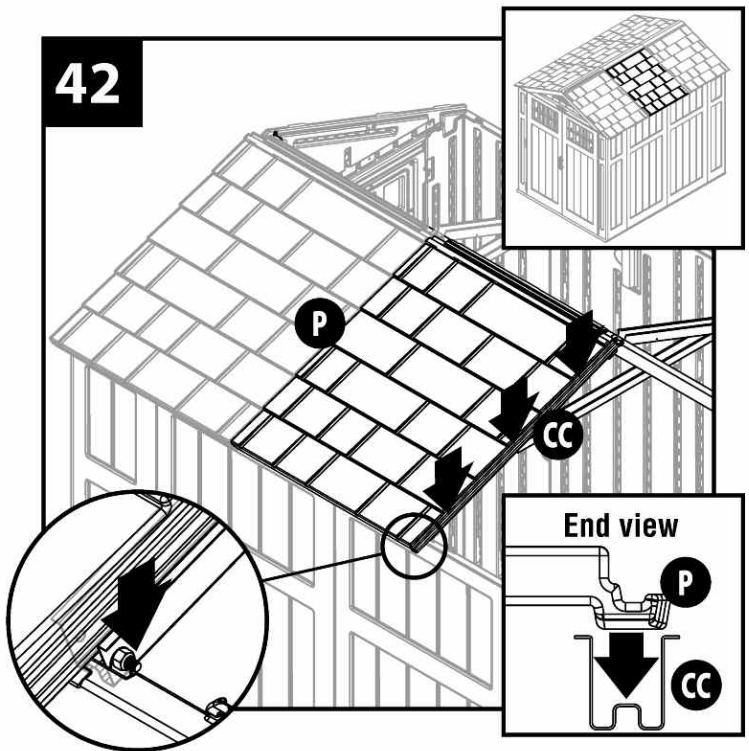
With at least two people, lower the right mid roof (P) onto the roof trusses.



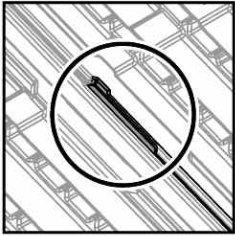
With a second person, pull down each lower corner of roof from outside. Attach tabs on side panels (E) to the roof panel with a screw (NN).



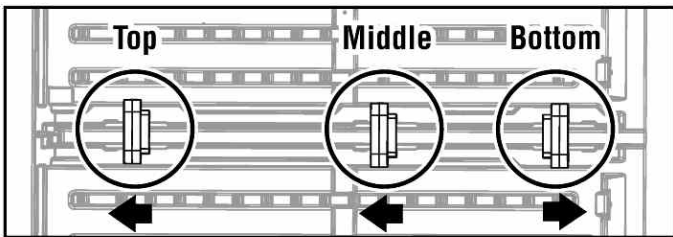
Press edge of right mid roof (P) into channel on truss leg (CC).



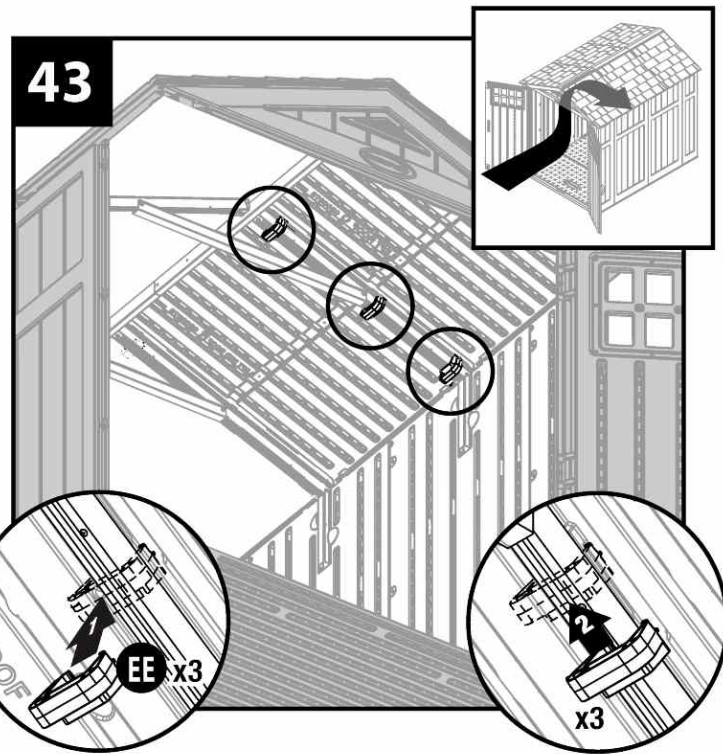
Secure right roof panels to truss with three roof connectors (EE) in corresponding slots in roof panels.



To lock in place, the top and middle connectors slide up and the bottom connector slides down, per illustration shown below.

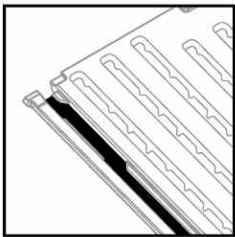


Note: Have a second person push roof panels together to more easily lock roof connectors on.

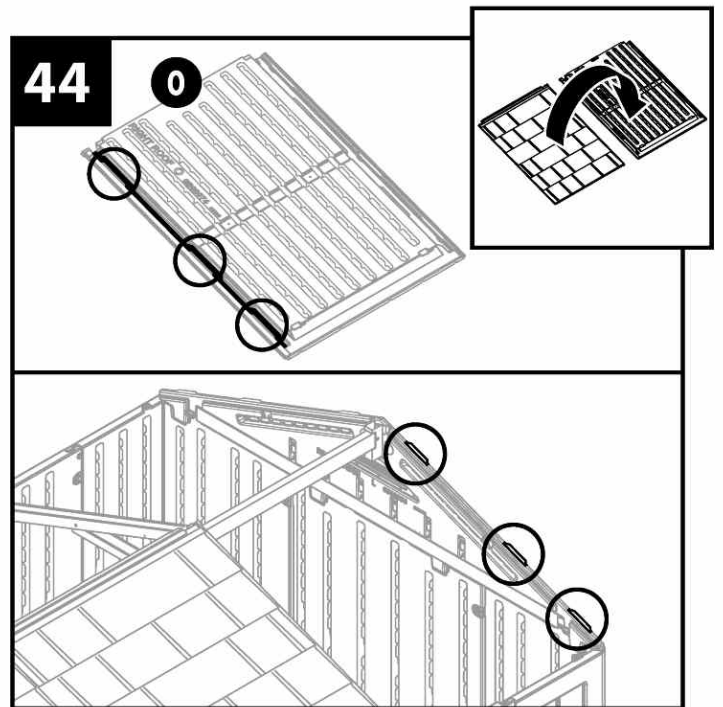
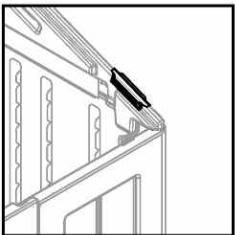


For clarity, illustration is shown with left front corner and left door removed.

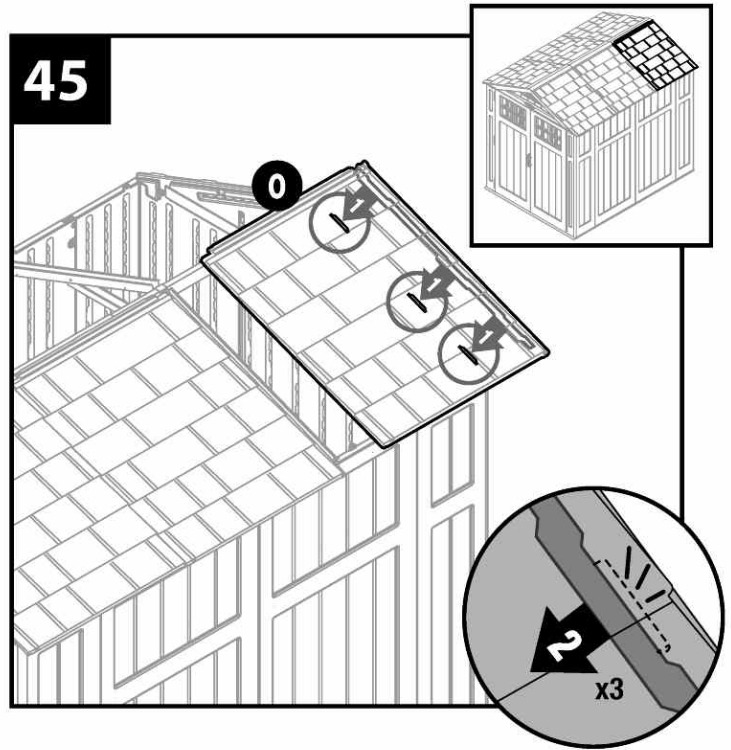
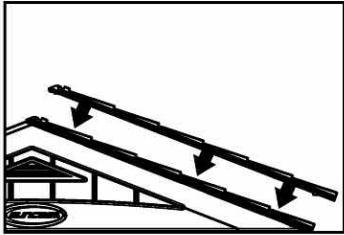
Locate and identify channels on interior side of remaining right roof (O). Locate three underside tabs contained within the channels.



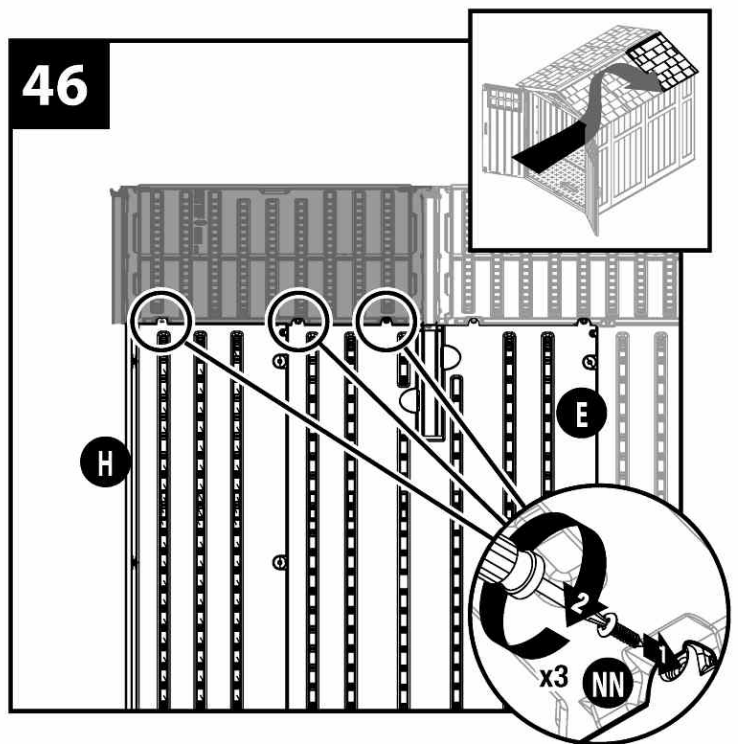
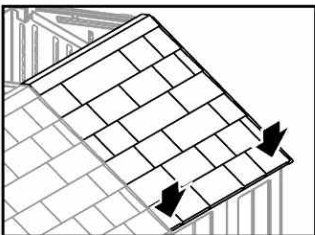
Locate and identify the three rear header tabs.



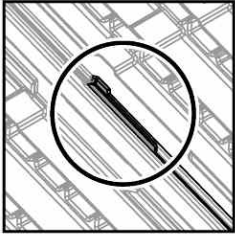
With at least two people, lay remaining right roof (O) directly over the three tabs on the right side of the rear header. With the right roof channel seated over/ on the header tabs, pull the roof downward at each header tab until the roof snaps in place.



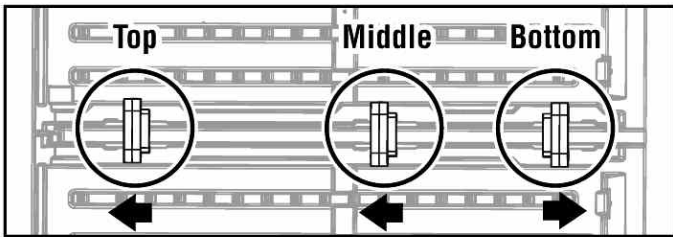
With a second person, pull down each lower corner of roof from outside. Attach tabs on right back corner (H) and side panel (E) to the right roof with a screw (NN).



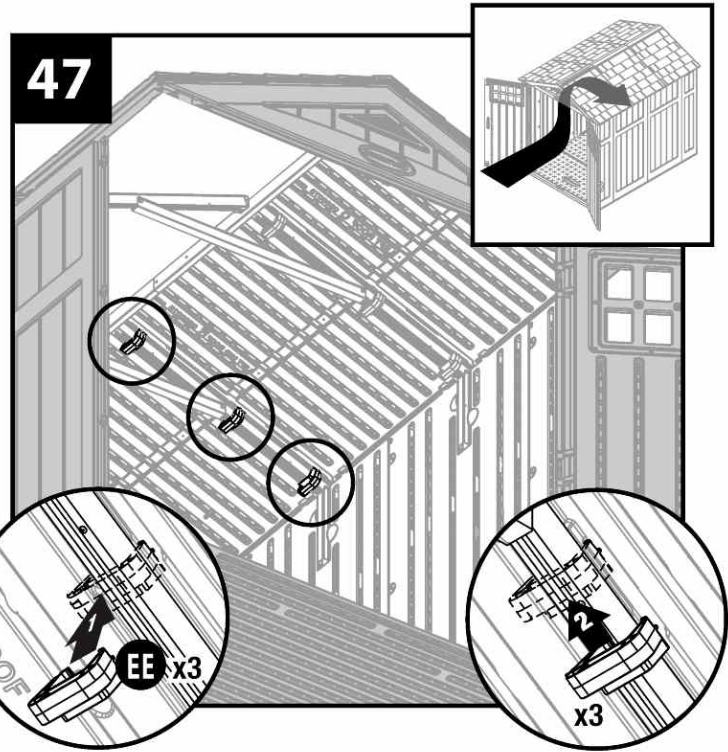
Secure right roof panels to truss with three roof connectors (EE) in corresponding slots in roof panels.



To lock in place, the top and middle connectors slide up and the bottom connector slides down, per illustration shown below.

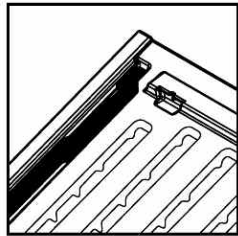


Note: Have a second person push roof panels together to more easily lock roof connectors on.

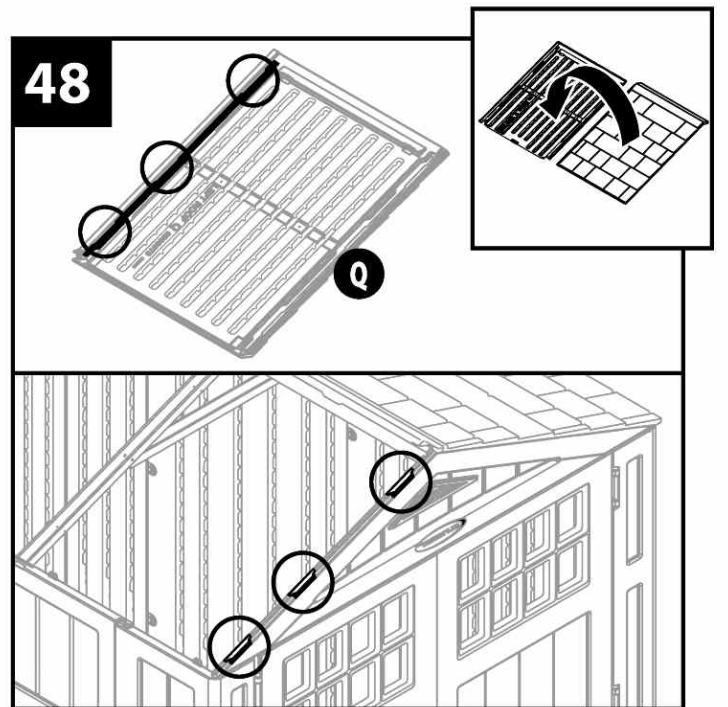
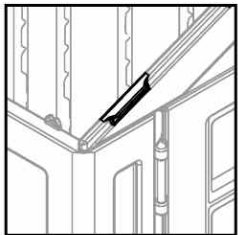


For clarity, illustration is shown with left front corner and left door removed.

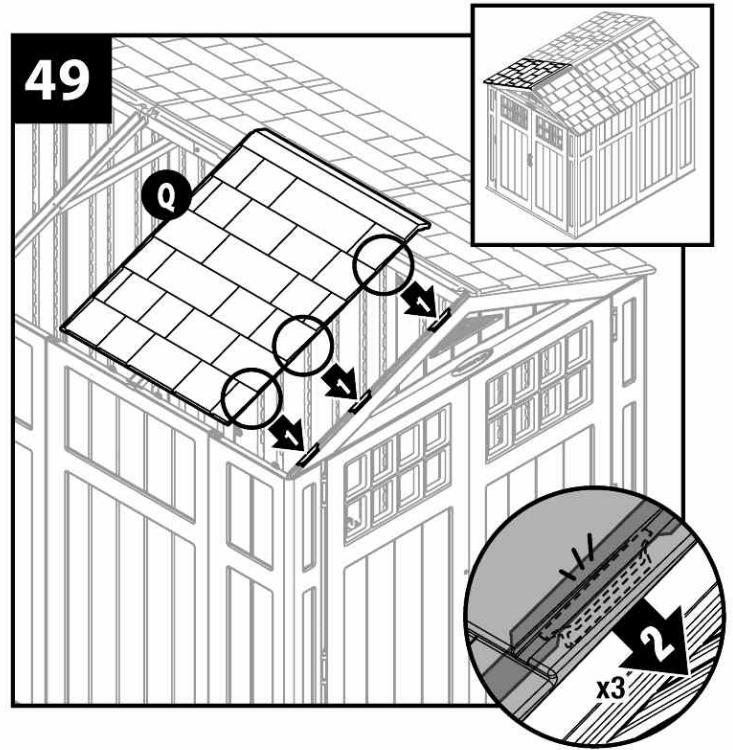
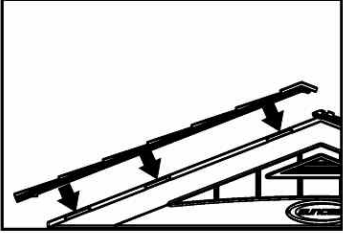
Locate and identify channels on interior side of one left roof (Q). Locate three underside tabs contained within the channels.



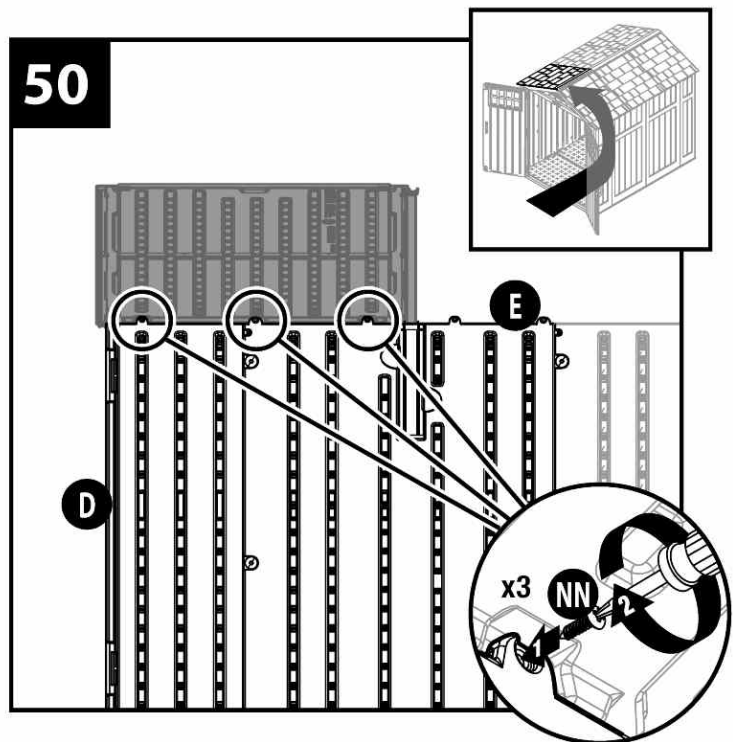
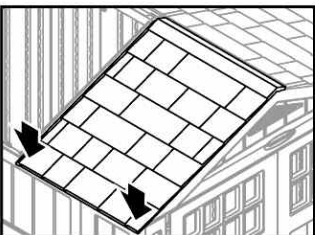
Locate and identify the three front header tabs.



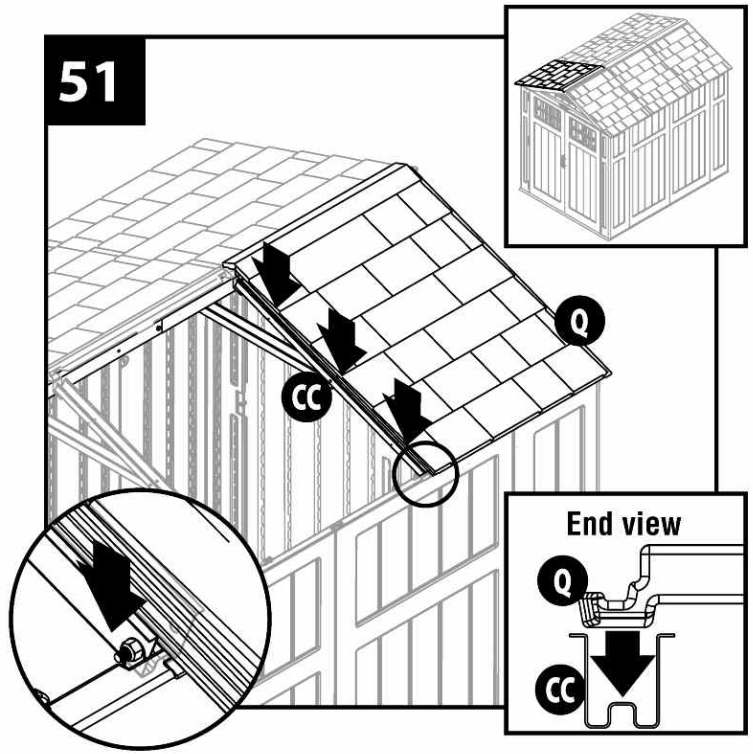
With at least two people, lay left roof (Q) directly over the three tabs on the left side of the front header. With the left roof channel seated over/on the header tabs, pull the roof downward at each header tab until the roof snaps in place.



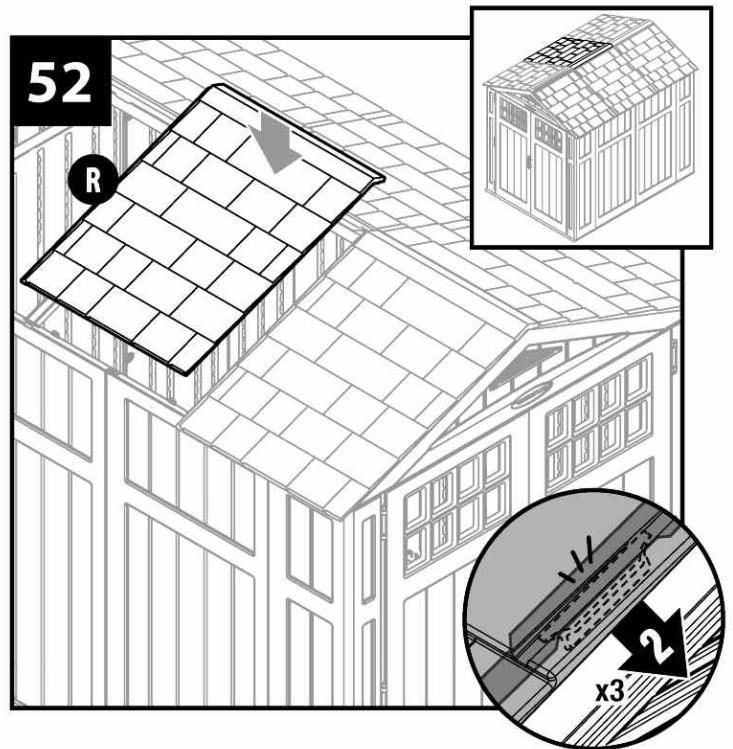
With a second person, pull down each lower corner of roof from outside. Attach tabs on left front corner (D) and side panel (E) to the left roof with a screw (NN).



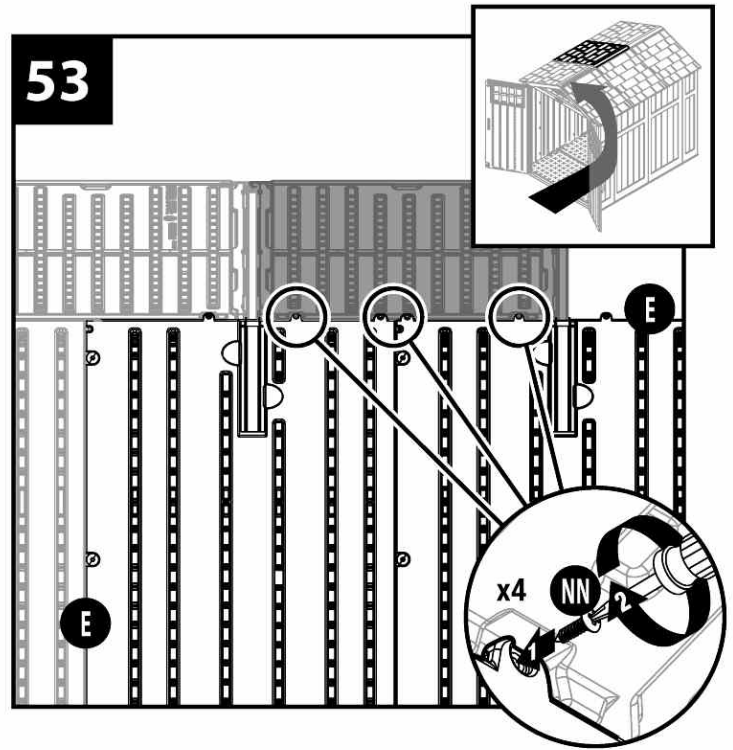
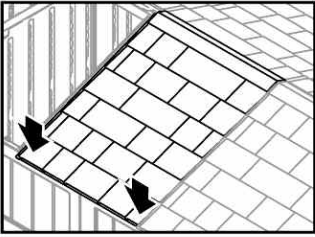
Press edge of left roof (Q) into channel on truss leg (CC).



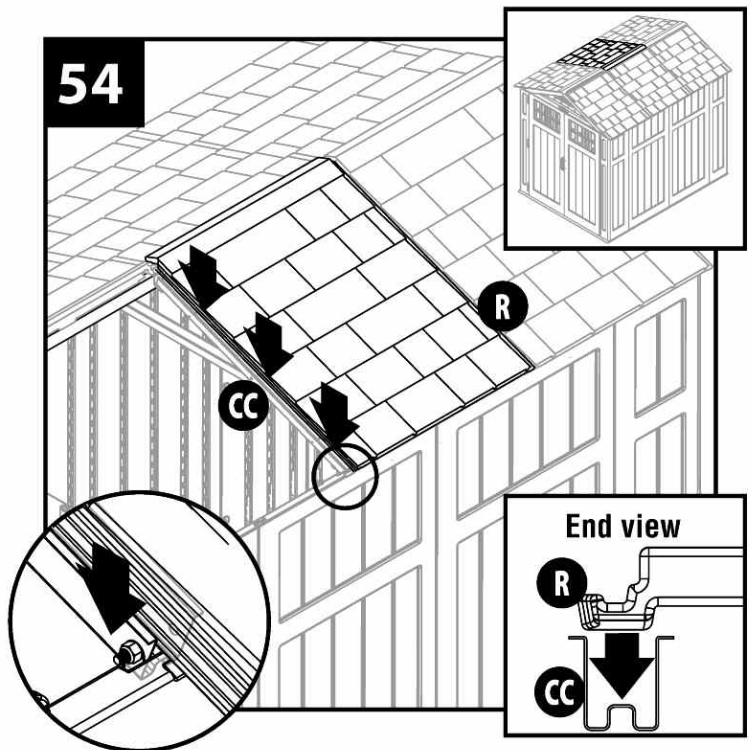
With at least two people, lower the left mid roof (R) onto the roof trusses.



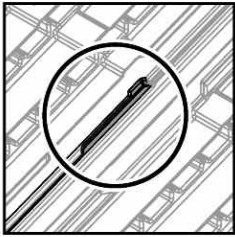
With a second person, pull down each lower corner of roof from outside. Attach tabs on side panels (E) to the left mid roof with a screw (NN).



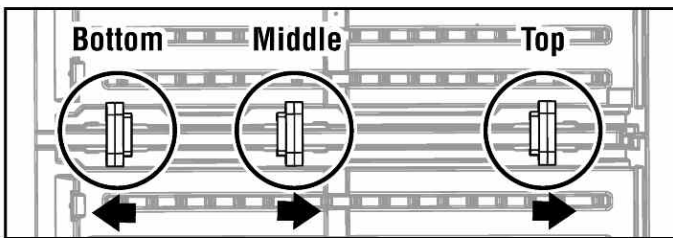
Press edge of left mid roof (R) into channel on truss leg (CC).



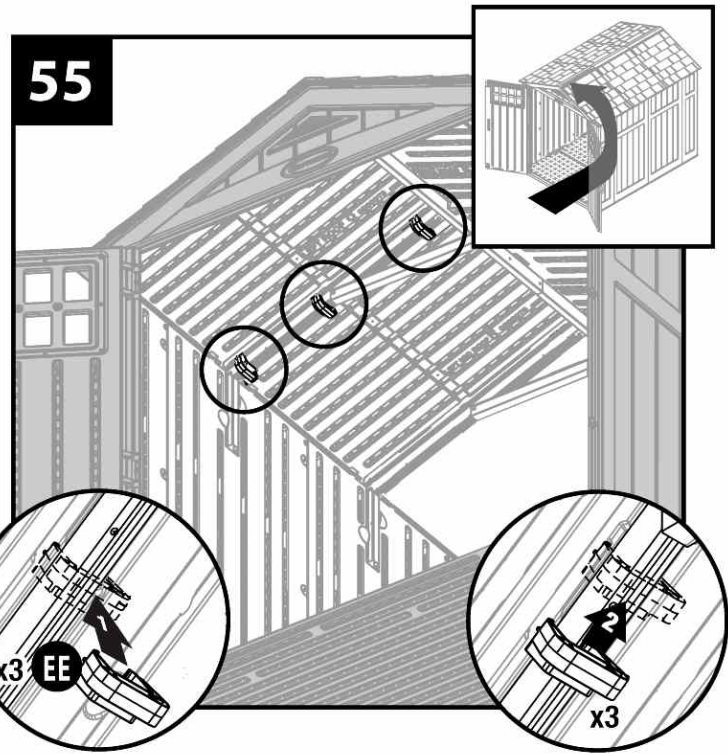
Secure left roof panels to truss with three roof connectors (EE) in corresponding slots in roof panels.



To lock in place, the top and middle connectors slide up and the bottom connector slides down, per illustration shown below.

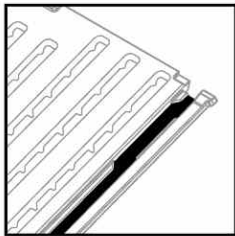


Note: Have a second person push roof panels together to more easily lock roof connectors on.

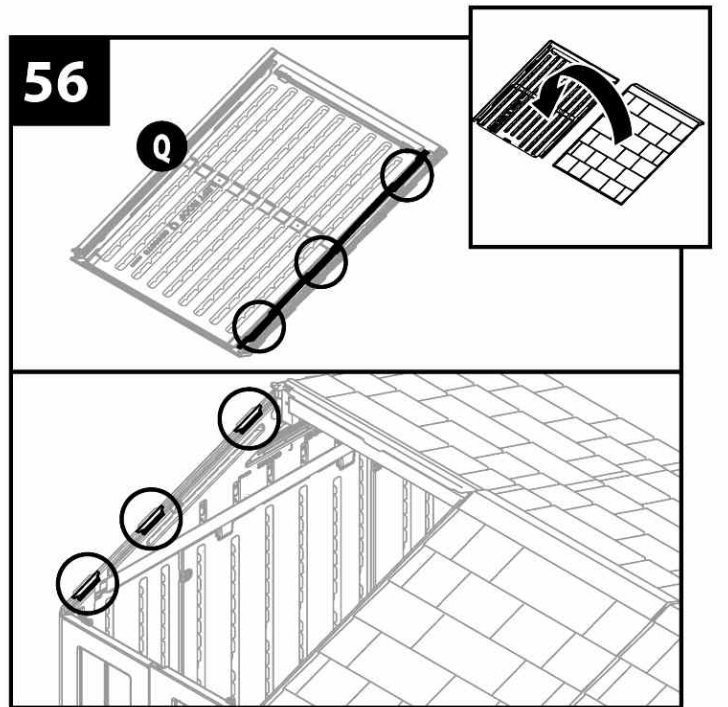
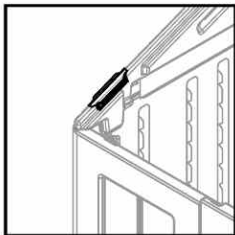


For clarity, illustration is shown with left front corner and left door removed.

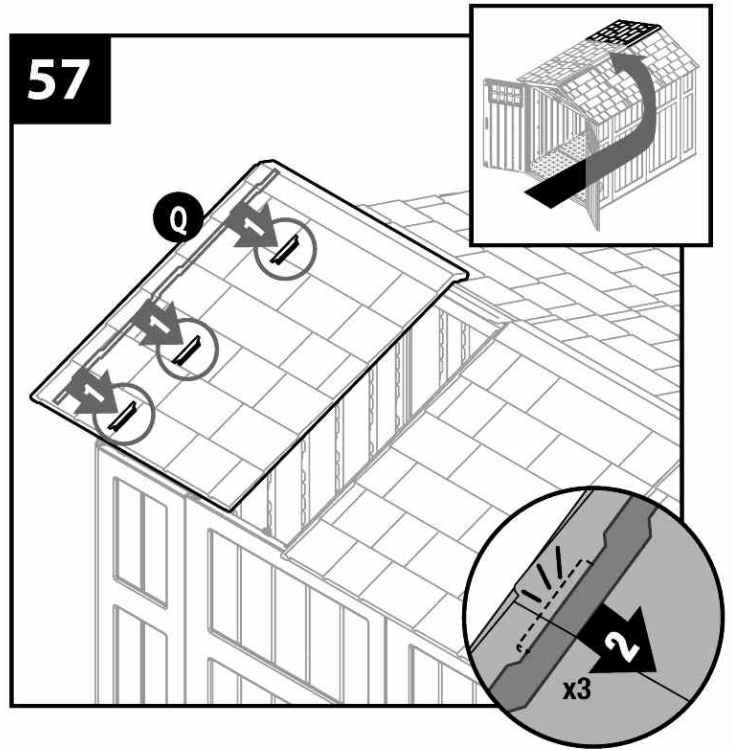
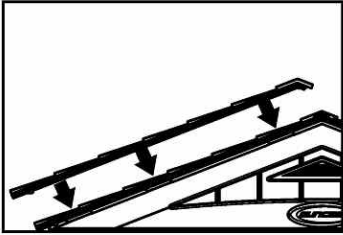
Locate and identify channels on interior side of left roof (Q). Locate three underside tabs contained within the channels.



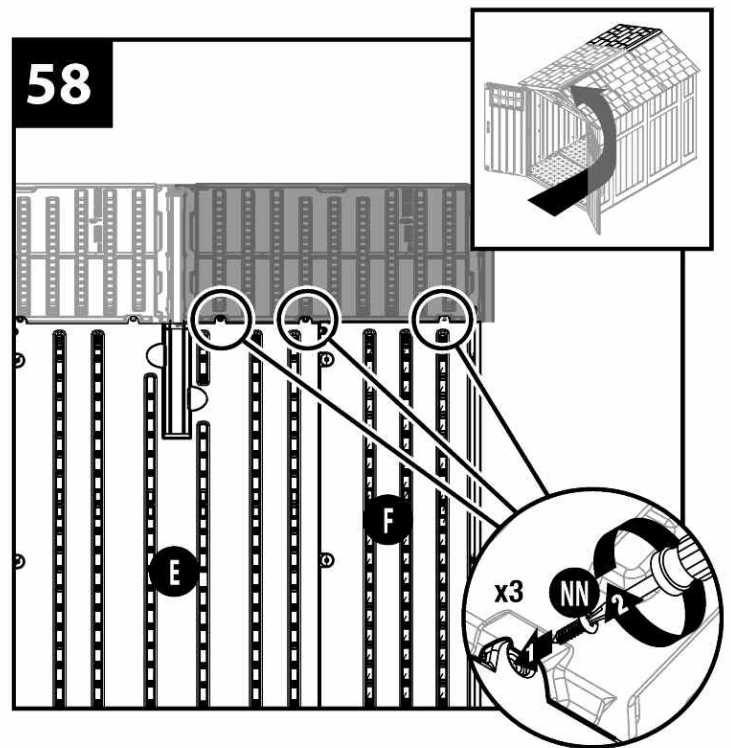
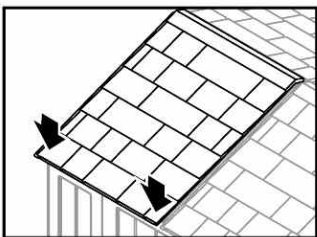
Locate and identify the three rear header tabs.



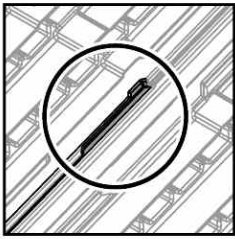
With at least two people, lay remaining left roof (Q) directly over the three tabs on the left side of the rear header. With the left roof channel seated over/on the header tabs, pull the roof downward at each header tab until the roof snaps in place.



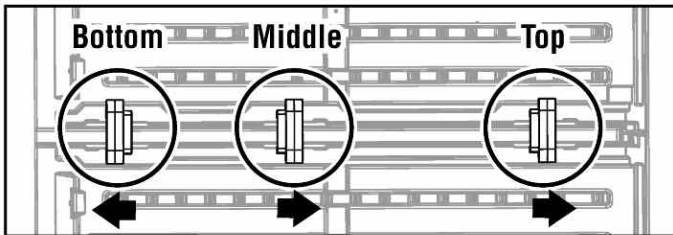
With a second person, pull down each corner of roof from outside. Attach tabs on the left rear corner (F) and side panel (E) to the left roof with a screw (NN).



Secure left roof panels to truss with three roof connectors (EE) in corresponding slots in roof panels.

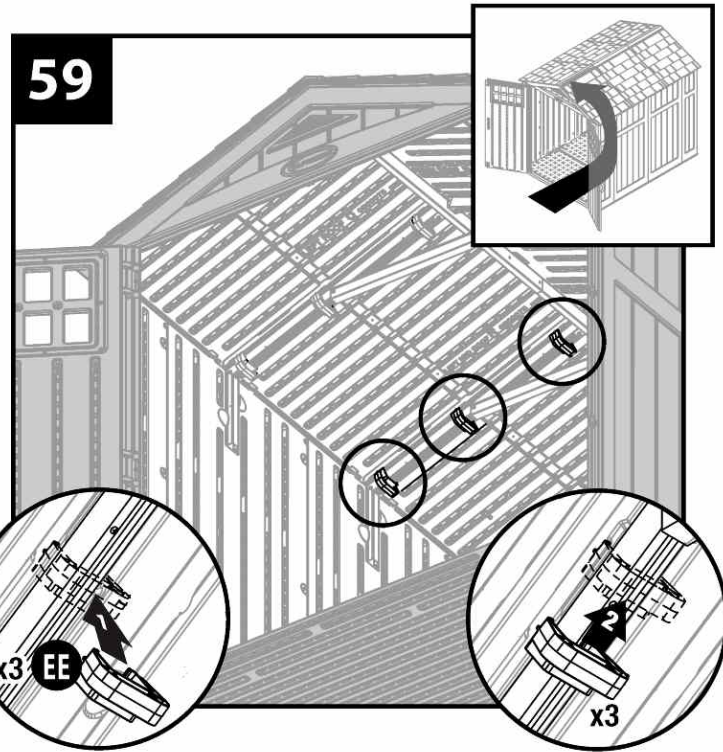


To lock in place, the top and middle connectors slide up and the bottom connector slides down, per illustration shown below.

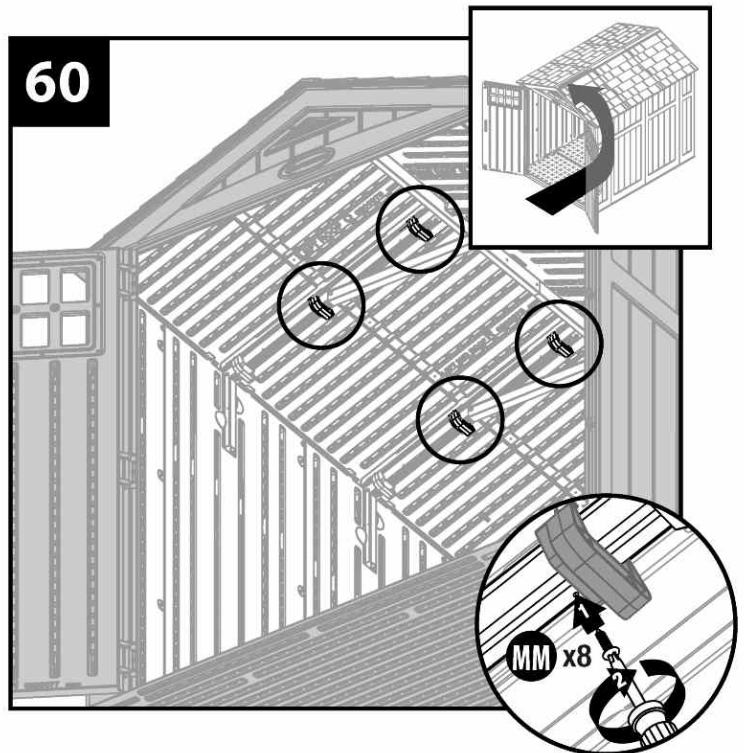


Note: Have a second person push roof panels together to more easily lock roof connectors on.

For middle and upper roof connectors, install one screw (MM) into truss behind roof connectors. Repeat for remaining four roof connectors.

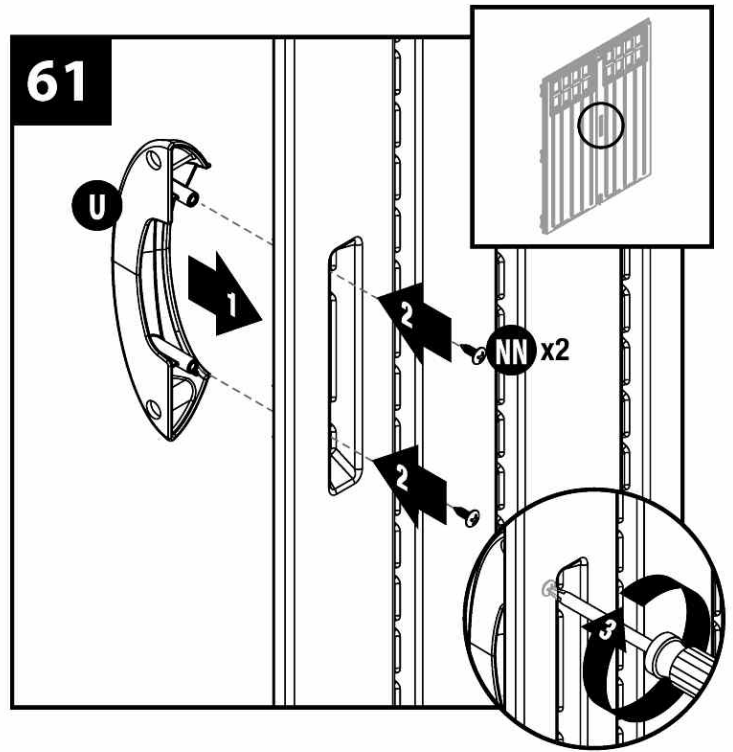


For clarity, illustration is shown with right front corner and right door removed.

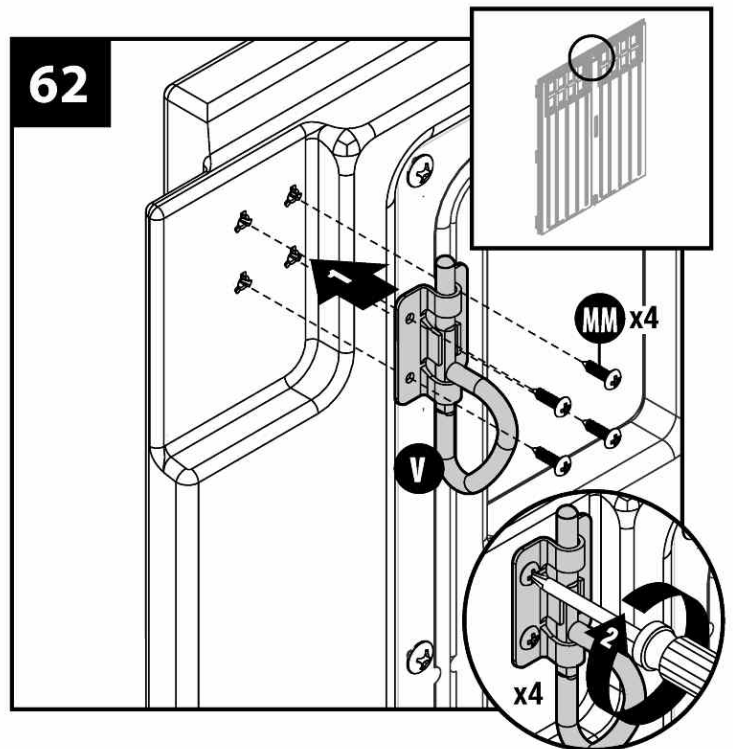


For clarity, illustration is shown with right front corner and right door removed.

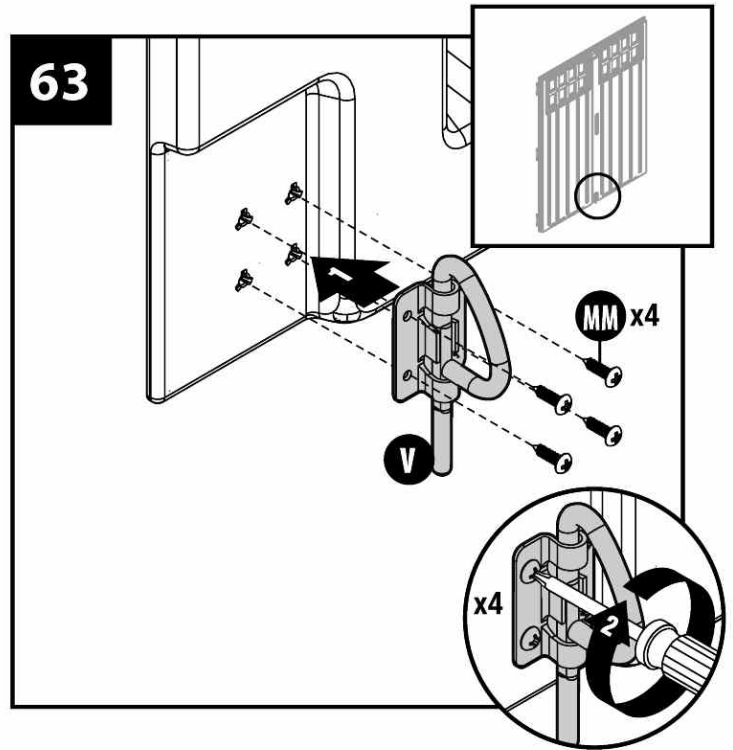
Attach door handle (U) to left door with two screws (NN). Repeat for right door.



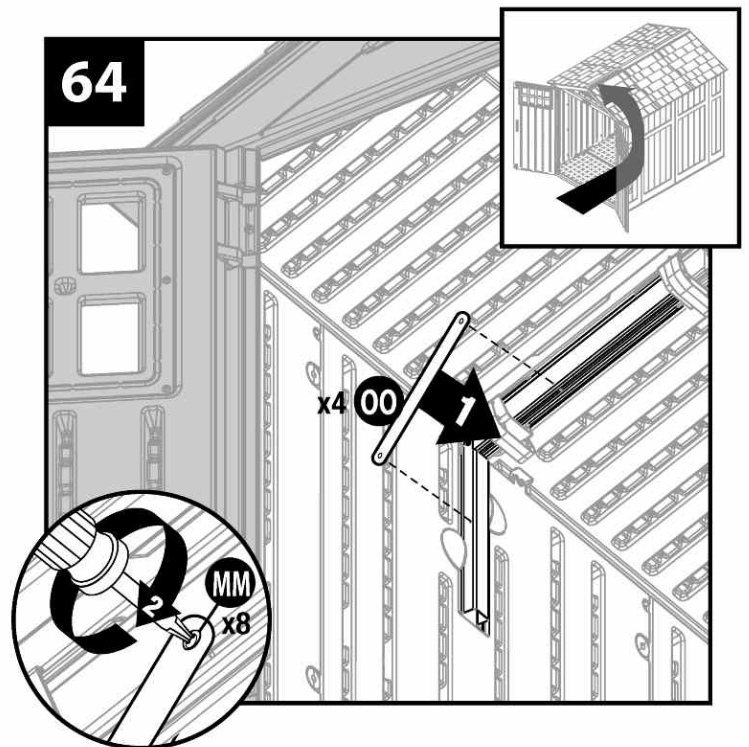
At the top interior side of left door, attach D-ring slide bolt (V) with four screws (MM) through provided holes.



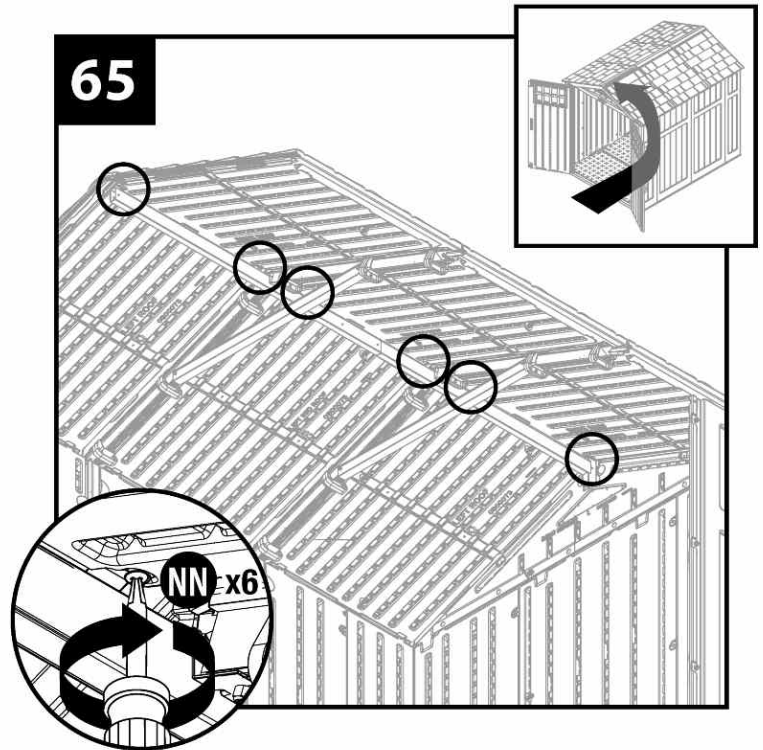
At the bottom interior side of left door, attach D-ring slide bolt (V) with four screws (MM) through provided holes.



Attach one truss strap (OO) at each end of truss legs. Secure each truss strap with two screws (MM). Repeat for second truss.

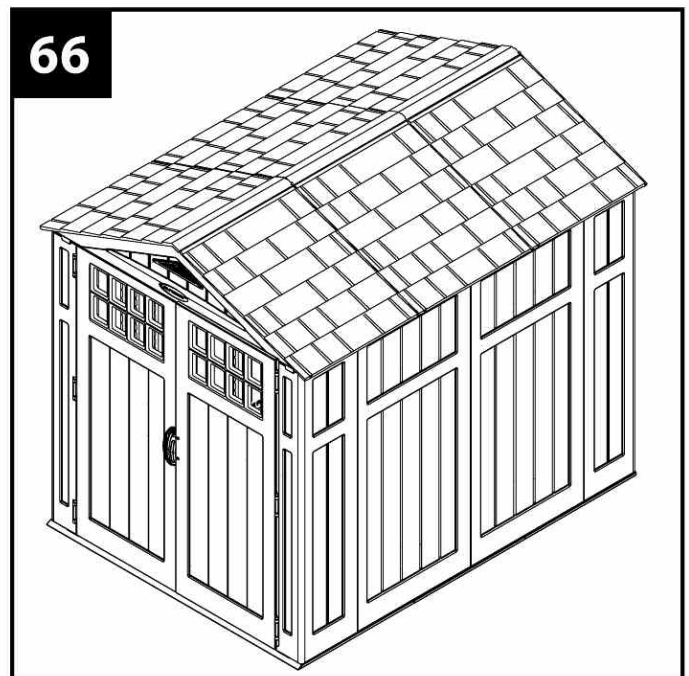


Secure roof panels together along the ridge of roof using six screws (NN).



For clarity, illustration is shown with right side panels and front header removed.

Complete.



Warranty

Suncast® Corporation, 701 North Kirk Road, Batavia, Illinois 60510 (Manufacturer) warrants to the original purchaser only that the enclosed product is free from material and workmanship defects under normal, household use at time of purchase. Defective product or part must be returned, freight prepaid, to the Manufacturer's address (Attention: Parts Department) along with proof of purchase. Upon receipt of the aforesaid, the defective product or part will be repaired or replaced at the option of the Manufacturer without charge to the original purchaser and returned to the customer freight collect.

This limited warranty does not apply to damage resulting from accident, neglect, misuse, commercial use, alteration, operation not in accordance with instruction or repairs made or attempted by unauthorized persons.

This limited warranty applies only to the product enclosed and does not apply to accessory parts.

THE MANUFACTURER'S LIABILITY HEREUNDER IS LIMITED SOLELY TO THE REPAIR OR REPLACEMENT OF THE DEFECTIVE PRODUCT OR PART AND THE MANUFACTURER SHALL IN NO EVENT BE LIABLE FOR ANY INCIDENTAL OR CONSEQUENTIAL DAMAGES WHICH MAY RESULT FROM ANY DEFECT IN MATERIAL OR WORKMANSHIP OR FROM THE BREACH OF ANY EXPRESS OR IMPLIED WARRANTY.

Some states do not allow the exclusion or limitation of incidental or consequential damages, or a limitation of how long an implied warranty lasts, so the above limitations may not apply to you. This warranty gives you specific legal rights, and you may have other rights which may vary from state to state.

Factory Repairs

Repair service and assembly assistance are available direct from the factory, not from the place of purchase. If this product requires repair, please call or write us. Warranty repair parts are sent out free of charge. If the product is out of warranty, we will inform you of the charges prior to sending out the parts. VISA and MasterCard are accepted on phone orders. For assembly or replacement parts information:

Replacement Parts
Suncast Corporation
701 North Kirk Road
Batavia, IL 60510 USA

Outside Illinois, but within North America
800-846-2345

Within Illinois, or outside North America
630-879-2050
visit: www.suncast.com
email: parts@suncast.com

Quality Control Number