

# ASSEMBLY INSTRUCTIONS

## Mobile Trash Bin (Model No. 20215)

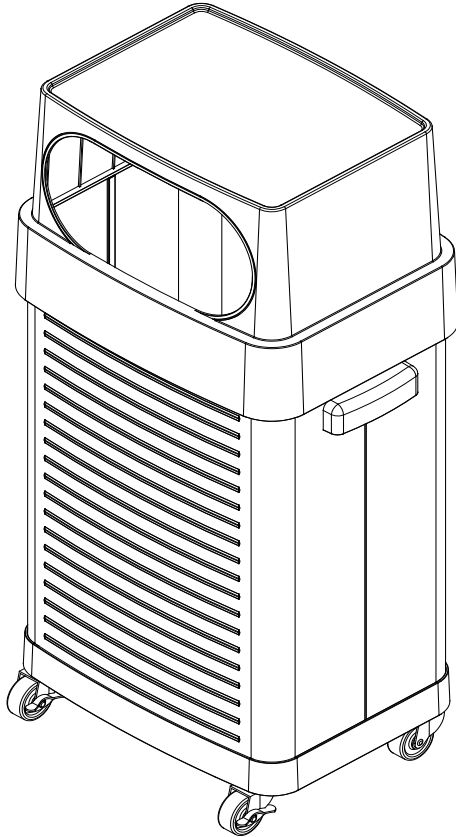
17.2 in. W x 12.8 in. D x 34.5 in. H

(43.6 cm x 32.5 cm x 87.6 cm)

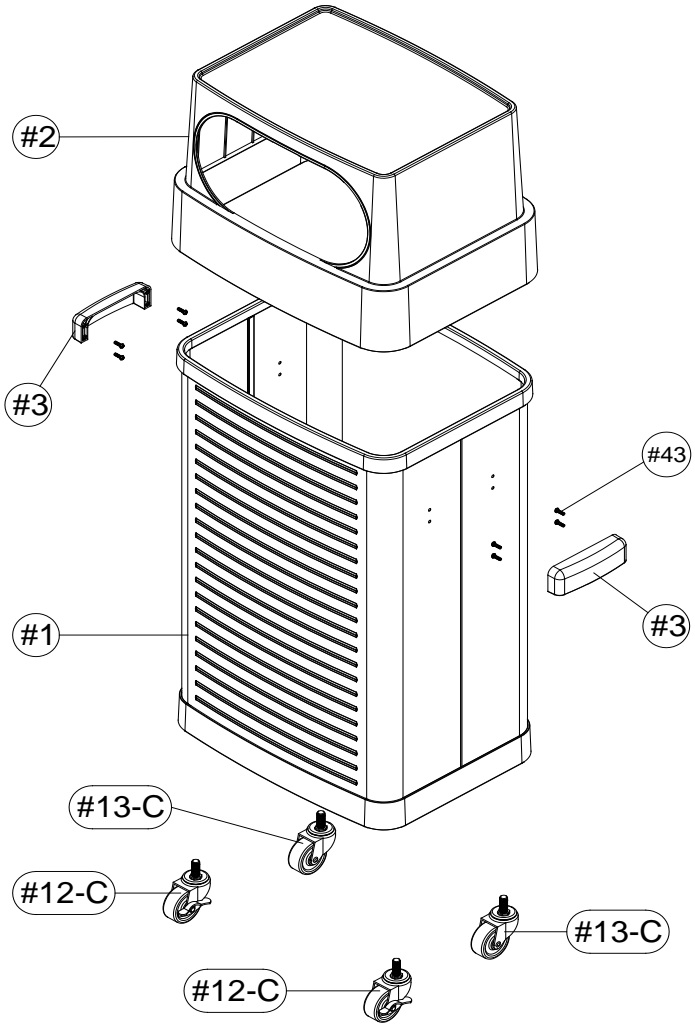
**ULTRASHIELD™**

FINGERPRINT RESISTANT SURFACES  
AND INCREASED DURABILITY

Reference page 4 for special care and  
maintenance of stainless steel

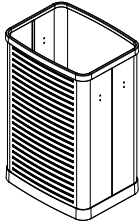


TR150713

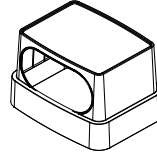


## PARTS LIST (pg 2 of 4)

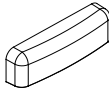
Please check the parts carefully according to the parts list. If you are missing any parts, please call our customer service department (please refer to page 4 of 4).



**(#1) BODY x 1 PC**



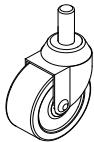
**(#2) TOP x 1 PC**



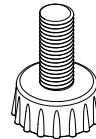
**(#3) HANDLE x 2 PCS**



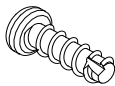
**(#12-C) SWIVEL WHEEL WITH BRAKE x 2 PCS**



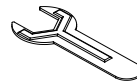
**(#13-C) SWIVEL WHEEL W/O BRAKE x 2PCS**



**(#13-E) LEVELING FEET x 4 PCS**



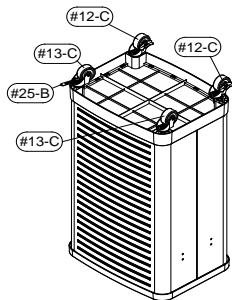
**(#43) SCREW H (M4 x 15L) x 8 PCS**



**(#25-B) WRENCH x 1 PC**

# ASSEMBLY INSTRUCTIONS (pg 3 of 4)

## Mobile Trash Bin (Model No. 20215)



### **Step 1: Install (#12-C & #13-C) Swivel Wheels or (#13-E) Leveling Feet.**

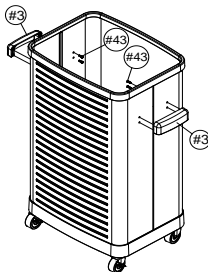
Open the box and turn the (#1) Body upside down.

#### **If using (#12-C & #13-C) Swivel Wheels:**

Install (#12-C) Swivel Wheel with Brake and (#13-C) Swivel Wheel without Brake onto the bottom panel of the (#1) Body. Use (#25-B) Wrench to screw-in the (#12-C & #13-C) Swivel Wheels completely.

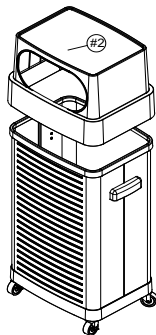
#### **If using (#13-E) Leveling Feet:**

Install (#13-E) Leveling Feet onto the bottom panel of the (#1) Body.



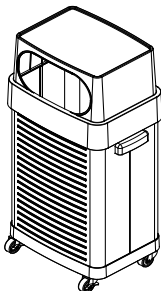
### **Step 2: Install (#3) Handle.**

Turn (#1) Body upright after you install the wheels or leveling feet. Attach the (#3) Handles to the side of the (#1) Body. Line up the screw holes and use (#43) Screw H (M4x15L) to tighten.



### **Step 3: Placing (#2) Top.**

Put a plastic bag (not included) inside the (#1) Body, then place the (#2) Top onto the (#1) Body.



- Note:**
1. No plastic bag included for the Trash Bin.
  2. Use either wheels or leveling feet. DO NOT install both.

**Volume Capacity: 65 L / 17 gal**

\*If you are missing any parts, have any questions, or need additional assistance in assembly, please contact our bilingual (English and Spanish) customer service department at:

**Seville Classics, Inc.**  
19401 South Harborgate Way  
Torrance, CA 90501  
USA

Telephone: (800) 323-5565 within USA

Hours: 9:00am - 4:30pm (Pacific Standard Time)

Fax: (310) 533-3899

E-mail: [support@sevilleclassics.com](mailto:support@sevilleclassics.com)

Website & Online Store: [www.sevilleclassics.com](http://www.sevilleclassics.com)

**\*Please visit our website or call and inquire about additional items\***

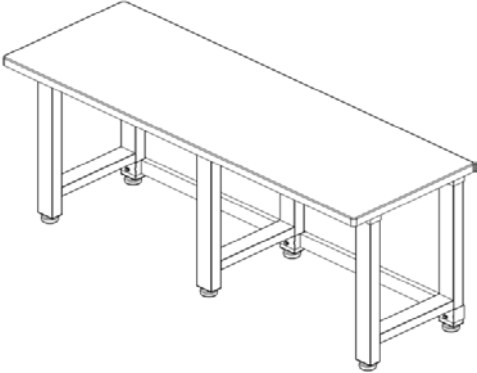
**Stainless Steel Maintenance:**

These parts have an UltraShield™ fingerprint resistant finish. Do not use traditional stainless steel cleaners on this unit. Lightly wipe off once a month with clean warm water and a soft cloth (preferably a micro fiber cloth). This is the safest formula to prevent new stains from appearing over time and manage unwanted fingerprints or grease marks.

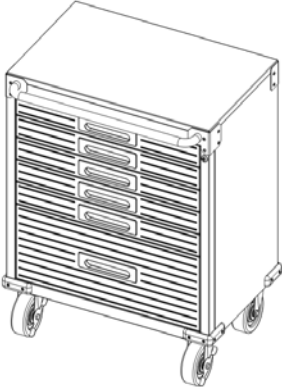
Remember to always wipe in the direction of the surface grain (NEVER ACROSS) and always use a lint-free cloth.

Once the surface is clean, thoroughly wipe dry with a soft absorbent cloth.

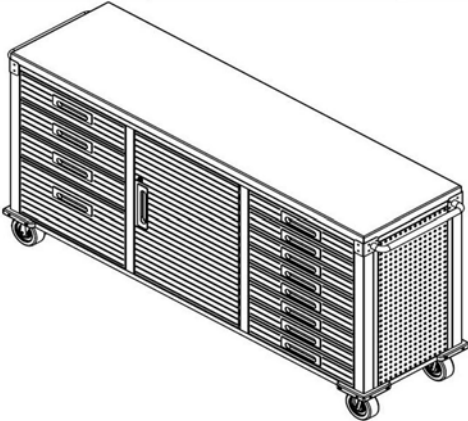
**Additional Companion Products are available for purchase at [www.sevilleclassics.com](http://www.sevilleclassics.com)**



**Model No. 20206  
UltraHD Workbench**

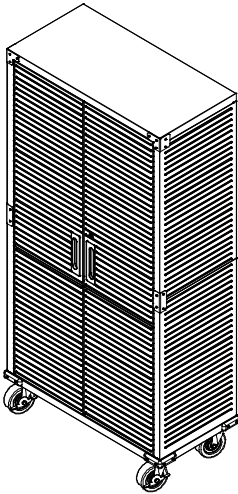


**Model No. 20204  
UltraHD Rolling 6-Drawer Cabinet**

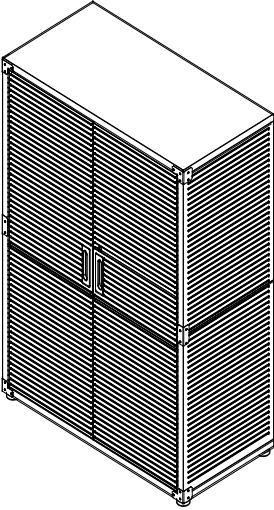


**Model No. 20242  
UltraHD Rolling Workbench**

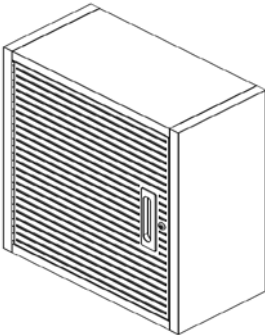
**Additional Companion Products are available for purchase at [www.sevilleclassics.com](http://www.sevilleclassics.com)**



**Model No. 16236  
UltraHD Rolling Cabinet**



**Model No. 16238  
UltraHD Storage Cabinet**



**Model No. 20209  
UltraHD Wall Cabinet**