

# Belmont One Door Two Drawer Linen Cabinet

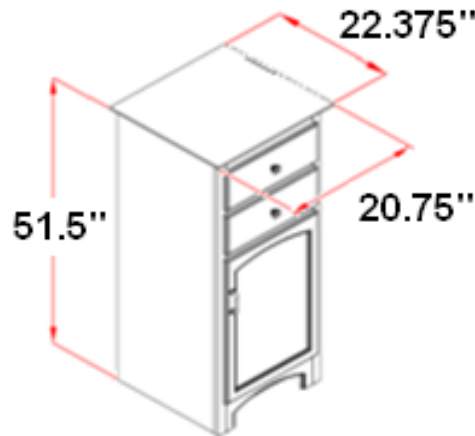


## Specifications

- Maple finish with satin nickel hardware
- Decorative cathedral style door
- Solid wood door frames and drawer fronts
- Full extension ball bearing drawing glides
- Durable water-resistant finish



## Dimensions



## Warranty & Compliances

**Warranty** Limited 1 year warranty  
**California 93120** Compliant



## Order Codes & Finishes/Colors

	Fully Assembled	Ready to Assemble
18"w x 21"d x 51.5"h	538504	539429

Type:
Job:
Order Code:
Approvals:

Design House reserves the right to make changes in materials, specifications & models at any time. Design House also reserves the right to discontinue product without notice or obligation.