

Turbo Tube Silent M

IN METAL NOISE ABSORBING CASE

Fresh air in
your house!



REVOLUTIONARY QUIET & ENERGY EFFICIENT



SOLUTION FOR:

- BATHROOMS
- KITCHENS
- APARTMENTS
- OFFICES
- LIBRARIES
- EDUCATION FACILITIES
- GALLERIES
and more

Following the latest worldwide ventilation trends we developed a **NEW INLINE MIXED FLOW FAN – TURBO TUBE SILENT M** series – with **Super Low Noise** and **Excellent Aerodynamics**.

TURBO TUBE SILENT M fans provide ultra quiet operation & excellent airflow even in high pressure systems. The specifically designed and optimized case and the new aerodynamic mixed flow impeller ensure the highest performance.

TURBO TUBE SILENT M – BENEFITS

- SILENT OPERATION: **0.1 – 1.9 Sones**
- HIGH PERFORMANCE: **up to 1050 CFM**
- ENERGY EFFICIENT: **22 – 353 W**
- DUCT COMPATIBILITY: **Ø 4", 5", 6", 8", 10", 12 3/8"**
- COMPATIBLE WITH HIGH PRESSURE SYSTEM
- DOUBLE-SPEED CAPACITOR MOTOR WITH THERMAL OVERLOAD PROTECTION
- LONG-LIFE BALL BEARING (up to 40 000 hours)
- BUILT-IN SPEED SWITCH & POWER CORD
- ROTARY AND REMOVABLE CENTRAL BODY FOR EASY INSTALLATION & MAINTENANCE
- COMPACT SIZE FOR LIMITED SPACES
- DURABLE METAL NOISE ABSORBING CASE
- VIBRATION – FREE OPERATION



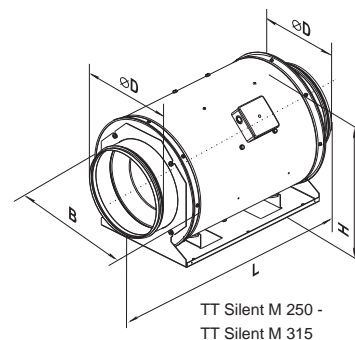
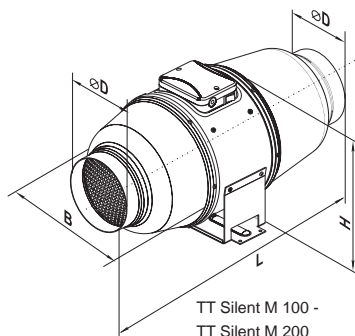
Tel: 888-640-0925
513-348-3853
Fax: 513-268-4597
Sales@ventsus.com
VentsUS.com
11013 Kenwood Road, Cincinnati, Ohio 45242



Turbo Tube Silent product sheet

Dimensions

| Model | Measurements [in.] | | | |
|-----------------|--------------------|----------|-----------|-----------|
| | ØD | B | H | L |
| TT Silent M 100 | 3 7/8" | 8 1/2" | 9 7/16" | 19 7/8" |
| TT Silent M 125 | 4 13/16" | 8 9/16" | 9 3/8" | 18 11/16" |
| TT Silent M 150 | 5 13/16" | 9 3/4" | 10 3/16" | 22 13/16" |
| TT Silent M 200 | 7 13/16" | 9 11/16" | 10 15/16" | 20 7/16" |
| TT Silent M 250 | 9 13/16" | 14 3/4" | 14 5/16" | 25 3/16" |
| TT Silent M 315 | 12 3/8" | 17 1/8" | 17 3/8" | 31 7/8" |



Performance

| Model | Duct dia | Speed | RPM* | Sones | Watts* | Amps* | CFM vs. Static Pressure (Ps) in WG | | | | | | | | | | | Volts |
|-----------------|---------------------|-------|------|-------|--------|-------|------------------------------------|------|-----|-----|-----|-----|-----|-----|-----|-----|-----|---------------|
| | | | | | | | 0 | 0.1 | 0.2 | 0.3 | 0.4 | 0.5 | 0.6 | 0.7 | 0.8 | 0.9 | 1 | |
| TT Silent M 100 | 4" | high | 2363 | 0.5 | 28 | 0.24 | 128 | 113 | 97 | 76 | 56 | 32 | 10 | - | - | - | - | 120 V / 60 Hz |
| | | low | 2065 | 0.1 | 22 | 0.2 | 99 | 81 | 62 | 40 | 12 | - | - | - | - | - | - | 120 V / 60 Hz |
| TT Silent M 125 | 5" | high | 2303 | 0.2 | 35 | 0.3 | 188 | 174 | 158 | 130 | 94 | 60 | 30 | 0 | - | - | - | 120 V / 60 Hz |
| | | low | 1990 | 0.1 | 23 | 0.22 | 116 | 90 | 68 | 38 | 0 | - | - | - | - | - | - | 120 V / 60 Hz |
| TT Silent M 150 | 6" | high | 2570 | 0.3 | 67 | 0.55 | 327 | 314 | 299 | 284 | 266 | 245 | 224 | 190 | 140 | 89 | 48 | 120 V / 60 Hz |
| | | low | 1847 | 0.1 | 53 | 0.45 | 240 | 220 | 192 | 171 | 135 | 111 | 86 | 56 | 28 | 5 | - | 120 V / 60 Hz |
| TT Silent M 200 | 8" | high | 2303 | 1 | 111 | 0.93 | 473 | 455 | 432 | 405 | 379 | 352 | 313 | 274 | 221 | 155 | 89 | 120 V / 60 Hz |
| | | low | 1990 | 0.2 | 70 | 0.58 | 349 | 323 | 294 | 249 | 203 | 158 | 108 | 57 | 26 | 13 | 0 | 120 V / 60 Hz |
| TT Silent M 250 | 10" | high | 2570 | 1.9 | 200 | 1.68 | 880 | 874 | 866 | 858 | 850 | 842 | 832 | 821 | 794 | 751 | 708 | 120 V / 60 Hz |
| | | low | 1847 | 1 | 130 | 1.11 | 655 | 648 | 630 | 608 | 587 | 565 | 531 | 497 | 450 | 390 | 330 | 120 V / 60 Hz |
| TT Silent M 315 | 12 ^{3/8} " | high | 2570 | 2.6 | 353 | 2.95 | 1050 | 1026 | 999 | 971 | 942 | 914 | 884 | 853 | 823 | 794 | 764 | 120 V / 60 Hz |
| | | low | 1847 | 1.2 | 236 | 1.95 | 830 | 804 | 770 | 726 | 682 | 638 | 581 | 524 | 464 | 399 | 335 | 120 V / 60 Hz |

* The parameters RPM, Watts, Amps are indicated at 0.2 in WG static pressure.

Specification

Voltage: 120 V / 60 Hz

Motor: **single-phase asynchronous two speed motor**

Duct compatibility: **Ø 4", 5", 6", 8", 10", 12^{3/8}"**

Airflow capacity: **up to 1050 CFM**

Sones: **0.1 – 1.9**

Power consumption: **22 – 353 W**

Suitable for working airstreams up to 140 °F

IPX4 protection

Thermal overload protection

Power cord included

Five year warranty

Contacts

Tel: 888-640-0925

513-348-3853

Fax: 513-268-4597

Sales@ventsus.com

VentsUS.com

11013 Kenwood Road, Cincinnati, Ohio 45242

VENTS-US reserves the rights to modify any of its products features, designs, components, and specifications at any time and without notice to maintain the development and quality of manufactured goods.

