

Barrette

Vinyl Fence Gates

Assembly and Installation Instructions



Models / Modelos/ Modèles

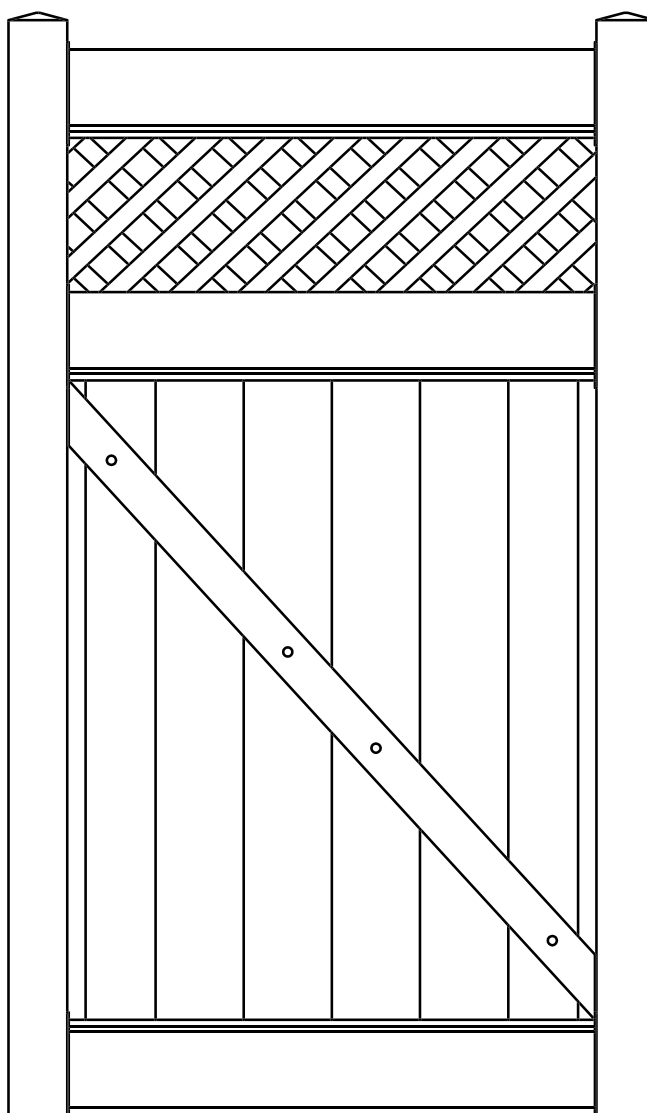
73013782 / 73013781 / 73013783 / 73013780
73013788 / 73013790 / 73013789 / 73013787
73013755 / 73013773 / 73013774 / 73013771
73013777 / 73013779 / 73013778 / 73013776
73013766 / 73013764 / 73013765 / 73013763
73013769 / 73013768 / 73013970 / 73013767
73013785 / 73013784
73013792 / 73013791

Owner's Manual
Manual del Propietario
Manuel du propriétaire

Version / Edición

1.0

34106378BOM V1 1/12



PLEASE READ OWNER'S MANUAL
COMPLETELY BEFORE ASSEMBLING
YOUR FENCE.

ALL STATED SIZES ARE NOMINAL DIMENSIONS.

POR FAVOR, LEA COMPLETAMENTE EL MANUAL
DEL PROPIETARIO ANTES DE ENSAMBLAR LA
EDIFICACIÓN.

TODAS LAS DIMENSIONES INDICADAS SON NOMINALES.

PRIÈRE DE LIRE LE MANUEL DU PROPRIÉTAIRE
EN ENTIER AVANT D'ASSEMBLER LA REMISE.

TOUTES LES DIMENSIONS INDIQUÉES SONT NOMINALES.

Thank you for choosing the Barrette Outdoor Living Fence Gate. Please read the instructions completely before assembling your gate. Retain manual and your dated sales slip for future reference and warranty claims.

Before You Begin...

Check your local zoning laws.

- Local zoning laws and Home Owners Associations may regulate the location, style and height of your fence or even require a permit signoff beforehand.

Contact your local utilities companies.

- You must have the utility companies clearly mark your property for electrical, gas or water lines to avoid puncturing any unseen underground utilities.

Pay to mark your property line.

- Being proactive will save you time and money from any disputes from neighbors.

© 2011 Barrette Outdoor Living
7830 Freeway Circle
Middleburg Heights, Ohio 44130

Material Checklist:

- Phillips Head Screwdriver
- Tape Measure
- Safety Glasses
- Drill
- Vinyl Cement
- 5/8" Drill Bit
- Line Level
- Gate Hardware (Hinges/Latch)

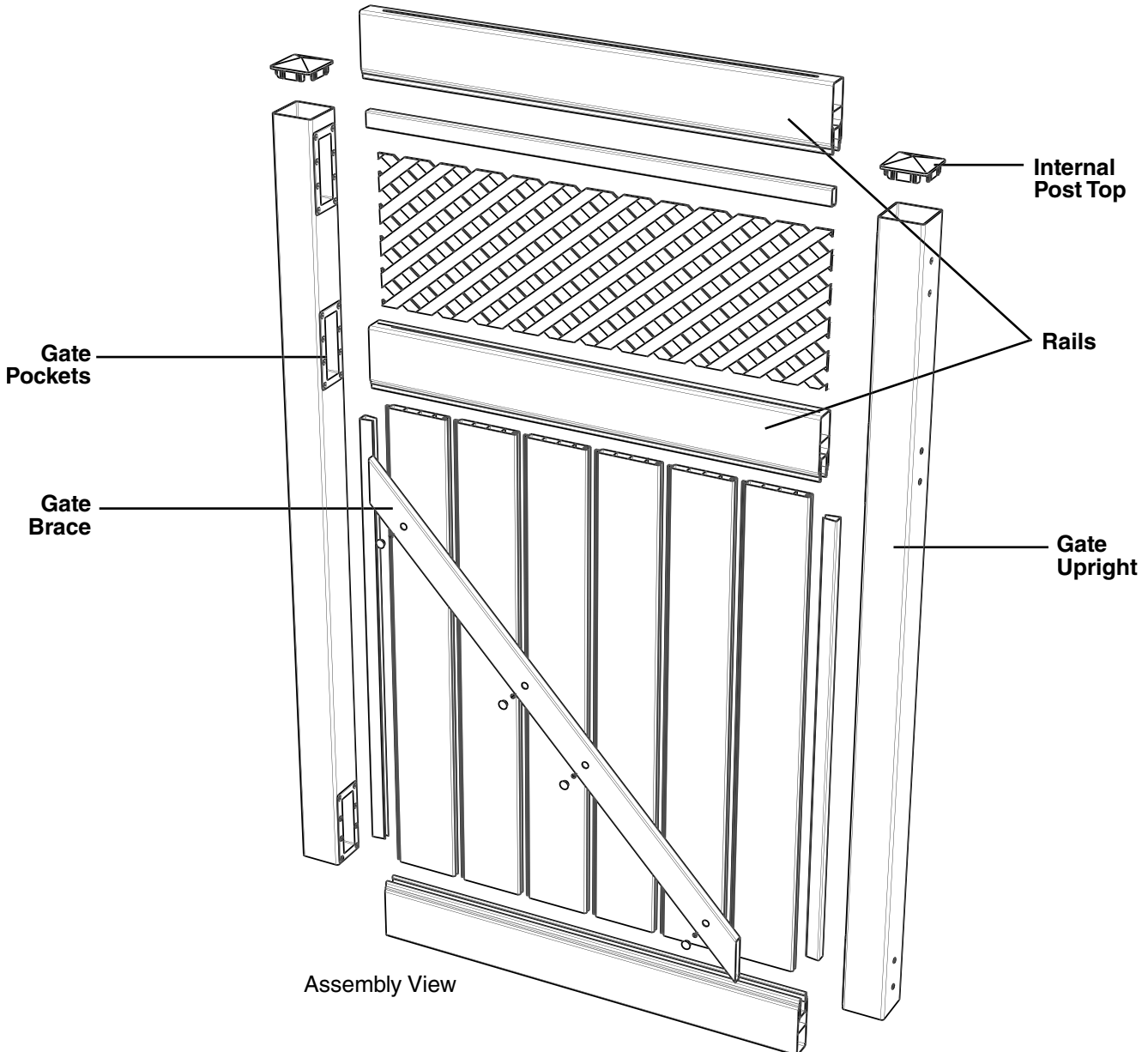
ATTENTION: Before you assemble the gate:

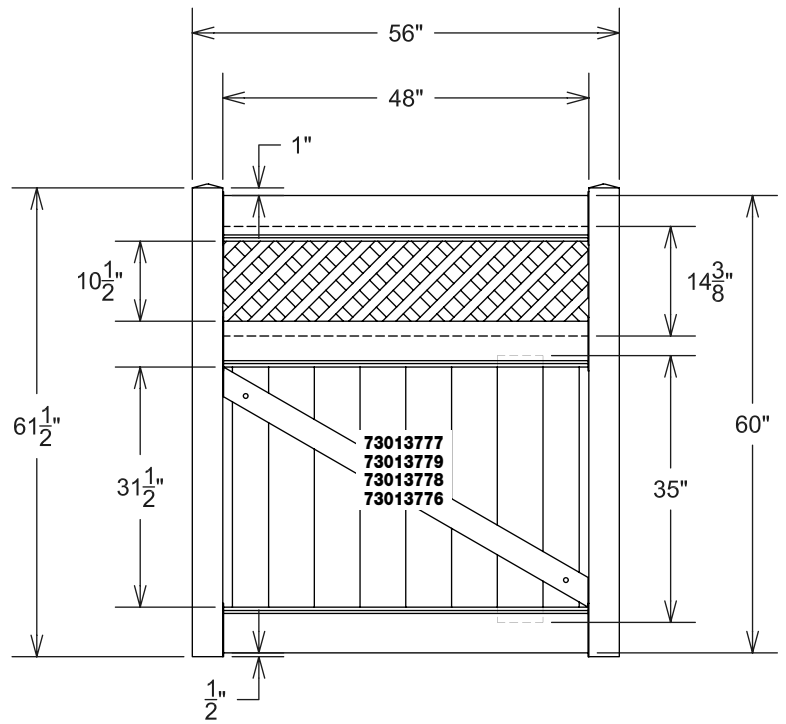
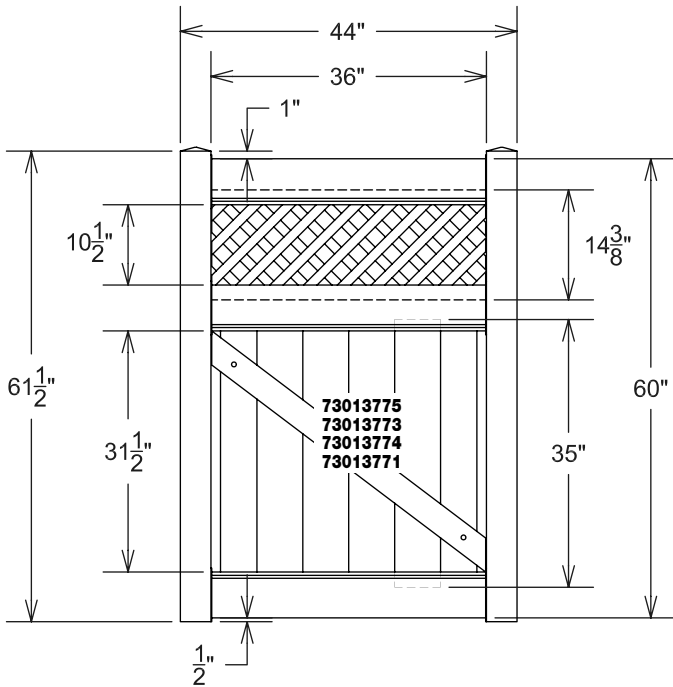
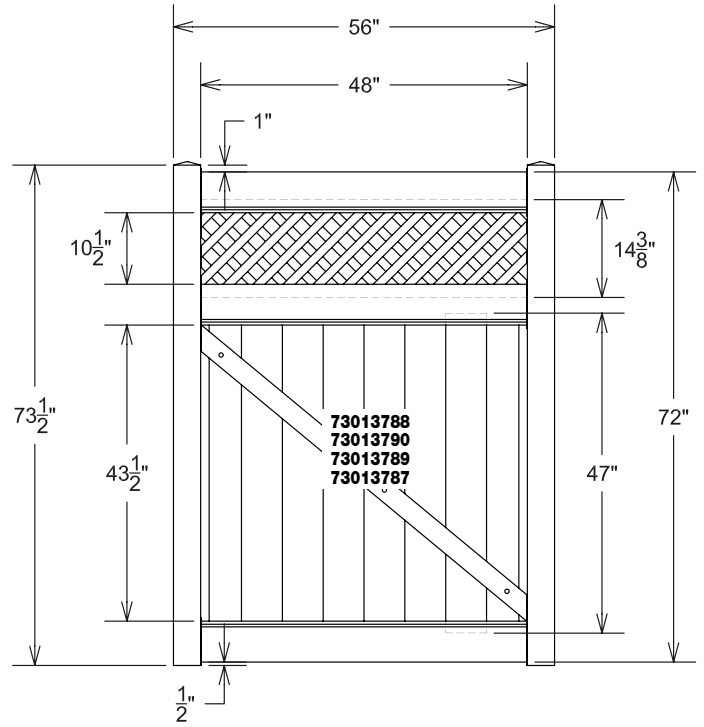
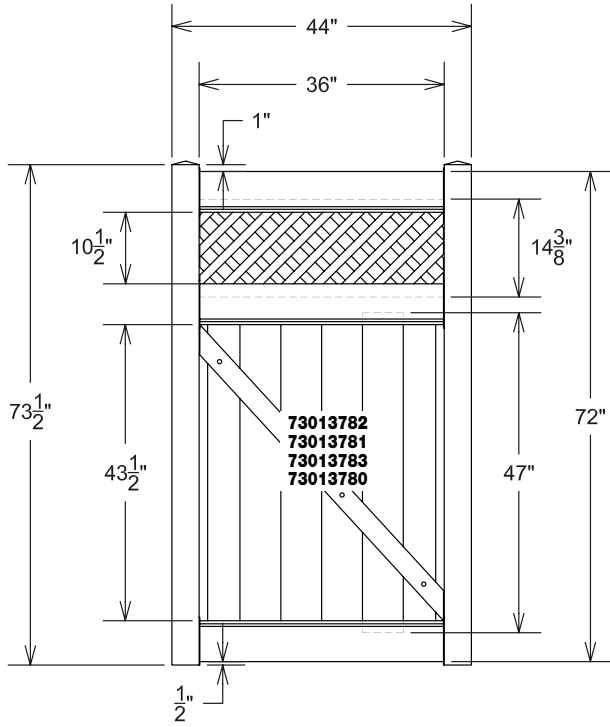
PLEASE TAKE A COMPLETE INVENTORY OF ALL PARTS USING THE KIT CONTENTS.

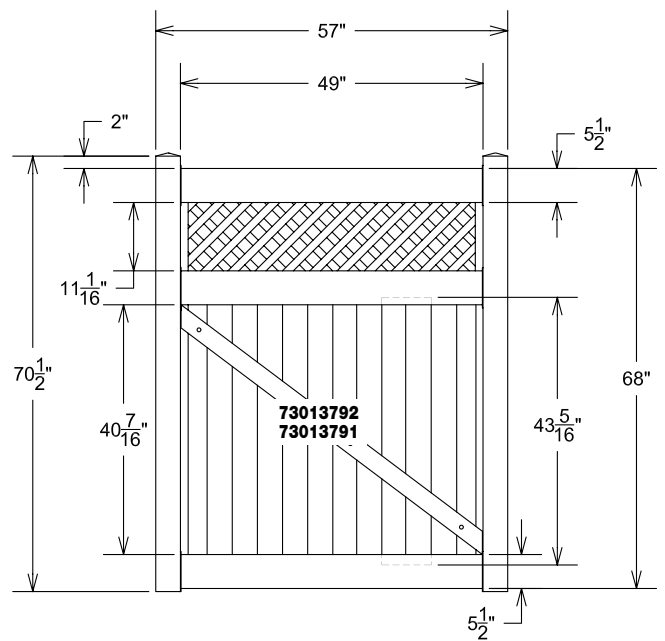
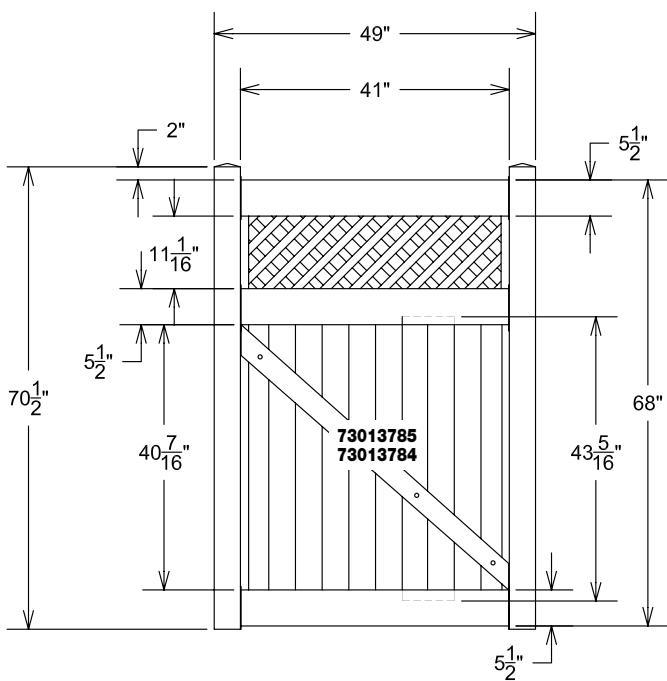
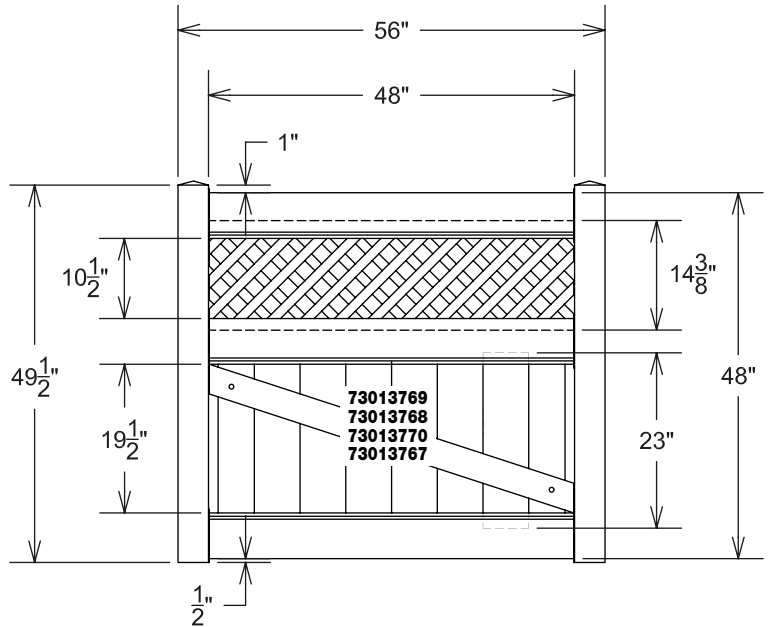
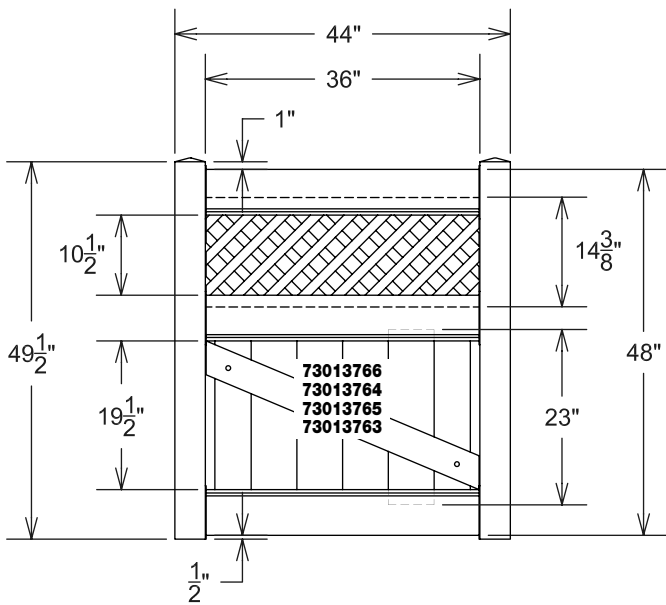
DO NOT ATTEMPT TO ASSEMBLE THE GATE IF PARTS ARE MISSING OR DAMAGED.

Please do not return the product to the store, for assistance or replacement parts call:

1-800-336-2383







Product Overview:

- 1.) Assemble the panel portion of gate.
Refer to drawings from the corresponding fence panel assembly instructions.
- 2.) Affix the internal post tops onto the top of the gate uprights using provided cement. Make sure to affix the post top to the correct end of the upright (top has spacing between gate pocket and top of post). See *Figure 1*.
- 3.) Make sure the gate is square.
- 4.) Apply cement to ends of rails for one side of gate.
- 5.) Insert the rails into gate pockets on one gate upright.
- 6.) Repeat steps 3 – 5 for other side of gate.
- 7.) Let the gate dry. (4 hours recommended)
- 8.) Lay the gate brace from one corner of infill to the other as shown in *Figure 2*.
- 9.) Mark the ends and cut the gate brace as shown in *Figure 2*.
- 10.) Place gate brace back on the infill and mark the center location of 4 infill boards or pickets. These marks will be the location of the screws and caps that attach the brace to the infill in the following steps.
- 11.) Using a 5/8" drill bit, drill through **one side** of the gate brace on the marks. See *Figure 3*.
- 12.) Place gate brace back on gate and using the holes just made, screw the gate brace to the panel. See *Figure 4*.
- 13.) Plug the holes on the brace using the provided plugs.
- 14.) Mount the gate according to the instructions on the hinge and latch hardware of choice.

Note: Not all fences, gates, and gate hardware are pool code approved.

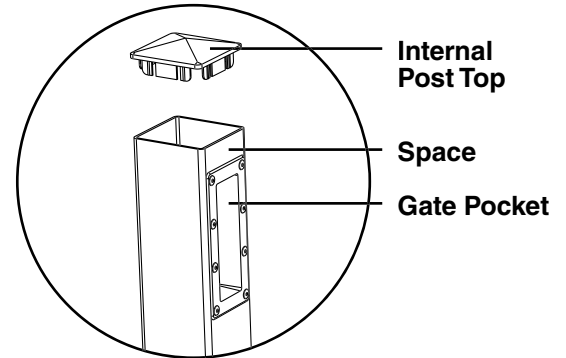


Figure 1

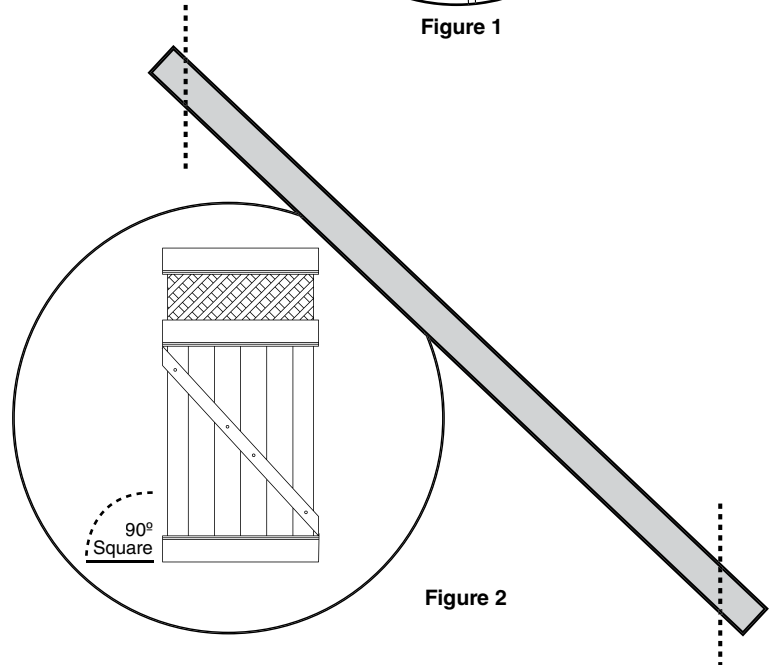


Figure 2

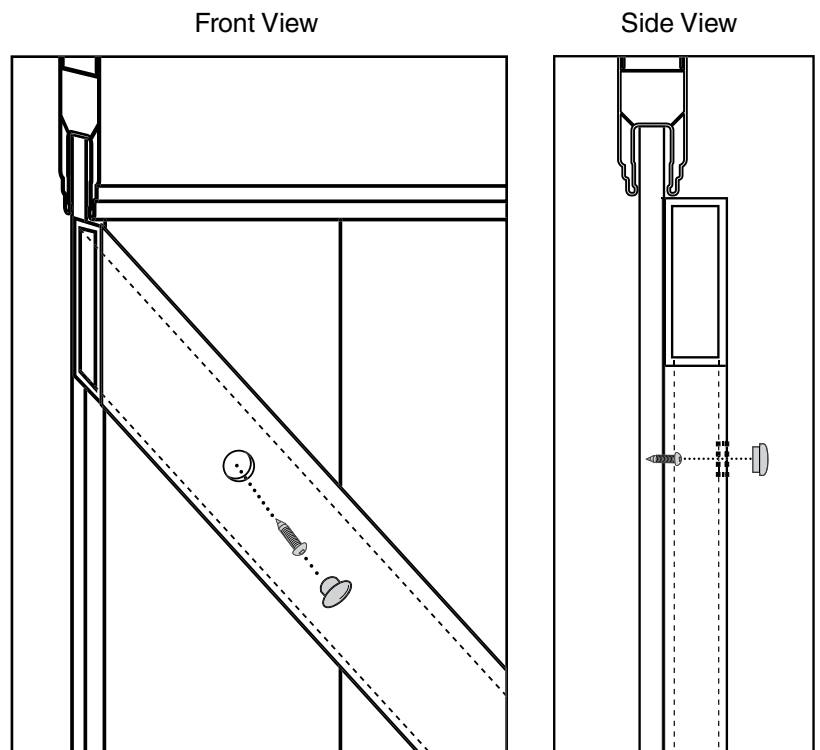


Figure 3

Figure 4



Transferable Limited Lifetime Warranty

What is covered: Barrette Outdoor Living warrants vinyl and aluminum products to include vinyl fence, railing, plastic lattice, trellis, arbors and aluminum fence against defects or workmanship for as long as you own your home. Barrette Outdoor Living will at its option repair or replace the product in question with new product of the same or equivalent value at no charge. Barrette Outdoor Living warrants these products against fading, peeling, flaking, splintering, corroding, rusting or abnormal discoloration under normal use and service. This warranty extends to the original purchaser or transferee as specified herein.

What this warranty does not cover: This limited warranty does not cover damage resulting from accident, unreasonable use, neglect, alteration, improper service, improper installation, acts of God or any other causes not arising out of defects in materials or workmanship. Additionally, this warranty does not cover costs of installation, removal, reinstallation or surface mold and mildew created by excessive environmental conditions. Any service or repair provided outside the scope of this limited warranty shall be at Barrette Outdoor Living's rate and terms then in effect.

What do we do to correct the problems? Should your Barrette Outdoor Living product prove defective under warranty, reference the website or call the phone number listed below. Your problem will be assigned a tracking number and an authorized Barrette Outdoor Living representative will contact you to arrange a convenient time to schedule an onsite inspection, if need be. If after onsite inspection product is deemed to be manufacturer defect we will make arrangements to rectify the issue. You must have proof of your purchase in order for the problem to be corrected.

Transferee Coverage: Warranty coverage will be extended to transferees on the above listed products with the following limitations. Transferee must obtain an original or copy of the initial sales receipt (with proof of date) from the previous owner(s). Additionally, if fence is purchased from a builder or installer, documentation must be supplied that names the product installed on property and date of transfer.

THIS WARRANTY IS IN LIEU OF ALL CONDITIONS OR WARRANTIES, EXPRESS, OR IMPLIED INCLUDING BUT NOT LIMITED TO ANY IMPLIED CONDITIONS OR WARRANTIES OR MERCHANTABILITY OR FITNESS FOR A PARTICULAR PURPOSE ON THE PART OF Barrette OR ITS LICENSORS, SOME STATES DO NOT ALLOW THE EXCLUSIONS OF IMPLIED WARRANTIES OR LIMITATIONS OF HOW LONG AN IMPLIED WARRANTY LASTS, SO THE ABOVE LIMITATIONS MAY NOT APPLY TO YOU. IF THE PRODUCT IS DEFECTIVE PER THE ABOVE COVERAGES, YOUR SOLE AND EXCLUSIVE REMEDY SHALL BE REPAIR OR REPLACEMENT AS PROVIDED ABOVE. BARRETTE AND ITS LICENSORS SHALL NOT BE LIABLE FOR ANY DAMAGES, LOSS OF USE, LOSS OF PROFITS OR INTERRUPTION OF BUSINESS WHETHER SUCH ALLEGED DAMAGES ARE BASED IN WARRANTY, TORT, CONTRACT, OR INDEMNITY. SOME STATES DO NOT ALLOW THE EXCLUSION OF LIMITATIONS OF INCIDENTAL OR CONSEQUENTIAL DAMAGES, SO THE ABOVE LIMITATIONS MAY NOT APPLY TO YOU. THIS WARRANTY IS VALID ONLY IN THE UNITED STATES AND CANADA.

1-800-336-2383

Models

73013782 / 73013781 / 73013783 / 73013780
73013788 / 73013790 / 73013789 / 73013787
73013775 / 73013773 / 73013774 / 73013771
73013777 / 73013779 / 73013778 / 73013776
73013766 / 73013764 / 73013765 / 73013763
73013769 / 73013768 / 73013770 / 73013767
73013785 / 73013784
73013792 / 73013791

Owners Manual

Structure made in U.S.A.
Printed in U.S.A.
U.S. Pat. appl'd for

