

INSTALLATION INSTRUCTIONS

Item #2718-37B/84-L (For Trim Ring Model)

READ AND SAVE THESE INSTRUCTIONS

WARNING! SHUT POWER OFF AT FUSE OR CIRCUIT BREAKER.

AVERTISSEMENT! COUPER LE COURANT AU NIVEAU DES FUSIBLES OU DU DISJONCTEUR.

ASSEMBLING THE TRIM RING (Fig.1)

1. Carefully remove the trim ring from the carton and check that all parts are included as shown in the illustration.
2. Place glass shade (F) into trim ring (G) then cover with plate (E) and align the holes in plate with the holes in trim ring.
3. Thread screws (D) through the holes in plate and tighten it to trim ring.

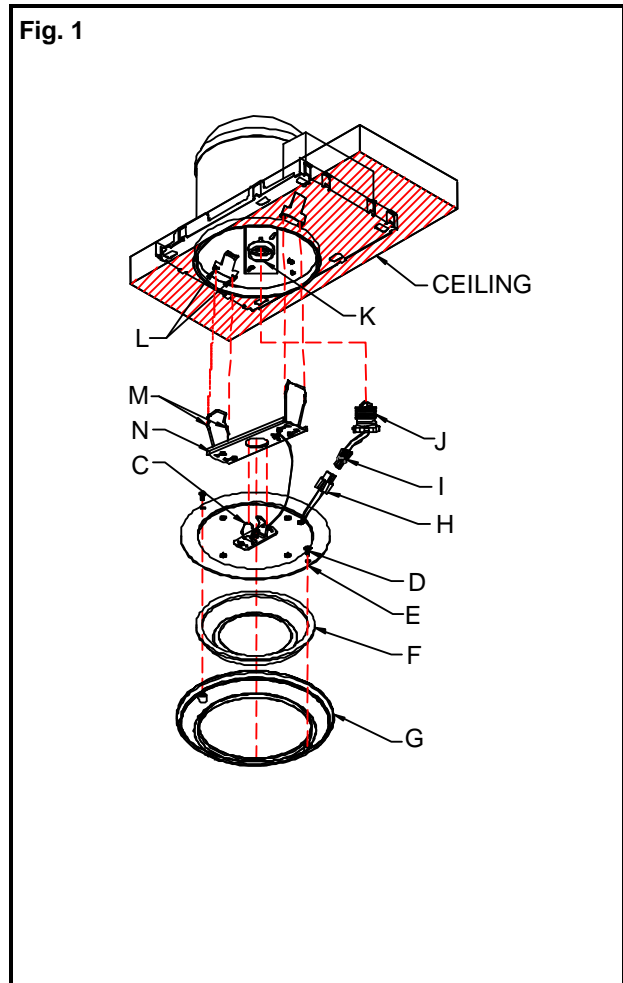
INSTALLATION (Fig. 1)

4. Screw socket (J) into lamp hold (K).
5. Connect the fixture ground wire to the mounting plate (N) using the green screw provided.
6. Insert mounting plate (N) into spring (C), to make it as a whole with mounting plate (N) and plate (E). Then plug the wire quick connector (I) into wire quick connector (H).
7. Push spring clip (M) into the "L" tabs (L) protruding from the inside of the recess housing.

Your installation is now complete turn power back on.

Note: Illustration (Fig.1) on this manual is for installation purposes only. It may or may not be identical to the fixture purchased.

Fig. 1



INSTALLATION INSTRUCTIONS

Item #2718-37B/84-L (For Flush Mount Model)

READ AND SAVE THESE INSTRUCTIONS

WARNING! SHUT POWER OFF AT FUSE OR CIRCUIT BREAKER.

AVERTISSEMENT! COUPER LE COURANT AU NIVEAU DES FUSIBLES OU DU DISJONCTEUR.

ASSEMBLING THE TRIM RING (Fig.3)

1. Shut off the power at the fuse box or circuit breaker. If necessary, remove the old fixture, including the mounting hardware.
2. Carefully unpack the new fixture and lay out all the parts on a clear area. Take care not to lose any parts necessary for installation. (Fig.2)
3. Cut off quick connector (H) by using scissor, then peel off the wire.
4. Place glass shade (F) into trim ring (G) then cover with plate (E) and align the holes in plate with the holes in trim ring.
5. Thread screws (D) through the holes in plate and tighten it to trim ring.
6. Attach crossbar (A) to the junction box using junction box screws (B). The side of the crossbar marked "GND" must face out.

CONNECTING THE WIRES (Fig. 4)

7. At this point, connect the electrical wires as follows: Connect the black wire from the fixture to the black house (hot) wire. Connect the white wire from the fixture to the white (neutral) house wire; Make sure all wire nuts are secured. You may wrap the connections with electrical tape. If you outlets have a ground wired (green or bare copper) connect fixture's ground wire to it. Otherwise connect fixture's ground wire directly to the crossbar using the green screw provided.

INSTALLATION (Fig. 1)

8. After the wires are connected, carefully tuck them inside the junction box, then push the spring clip (C) into the crossbar (A).

Your installation is now complete turn power back on.

Note: Illustration (Fig.2& Fig.3) on this manual is for installation purposes only. It may or may not be identical to the fixture purchased.

Replacing LED module (Fig.5)

The LED module can be replaced by a qualified electrician without cutting the wire and without damaging the decorative element to which the fixture is attached. See installation steps for more details (Fig.3)

Warning: Turn off power at the fuse box or circuit breaker before replacing the LED module. **Be sure and not touch or damage LED diodes when replacing module.**

- a. To remove the fixture from ceiling: separate spring clip (C) and crossbar (A) by pull down trim ring (G) and remove the wire connectors. Then place the fixture on a clear flat surface.
- b. Loosen screws (D) and remove the trim ring (G), glass shade (F).
- c. Loosen screws (Q) and remove metal plate (S), then loosen screws (R) and carefully remove lock washer (O), ground wire (T) and LED module (P).
- d. Revise step a-c for installation the new LED module.
- e.

Note: The LED module should be provided by a specified supplier. **Make sure the ground wire is tightly secured to plate (E). Make sure the three screws used to attach spring clip (C) to back plate are secured before reinstalling fixture.**

Page: 2/2

Fig. 2

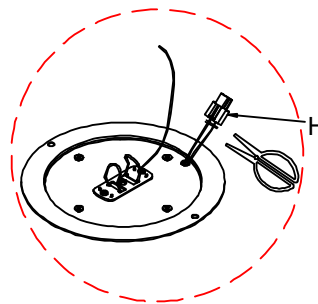


Fig. 3

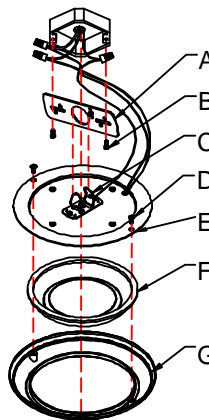


Fig. 4

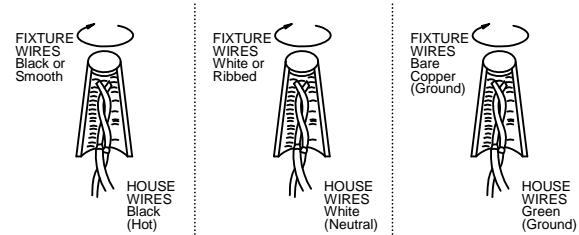
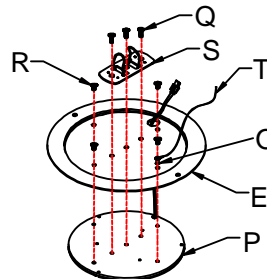


Fig. 5



IMPORTANT: FIXTURE SHOULD BE INSTALLED BY A QUALIFIED ELECTRICIAN TO ENSURE PROPER WIRING AND INSTALLATION.

Dimmable with ELV and/or LED compatible wall dimmer switches.

