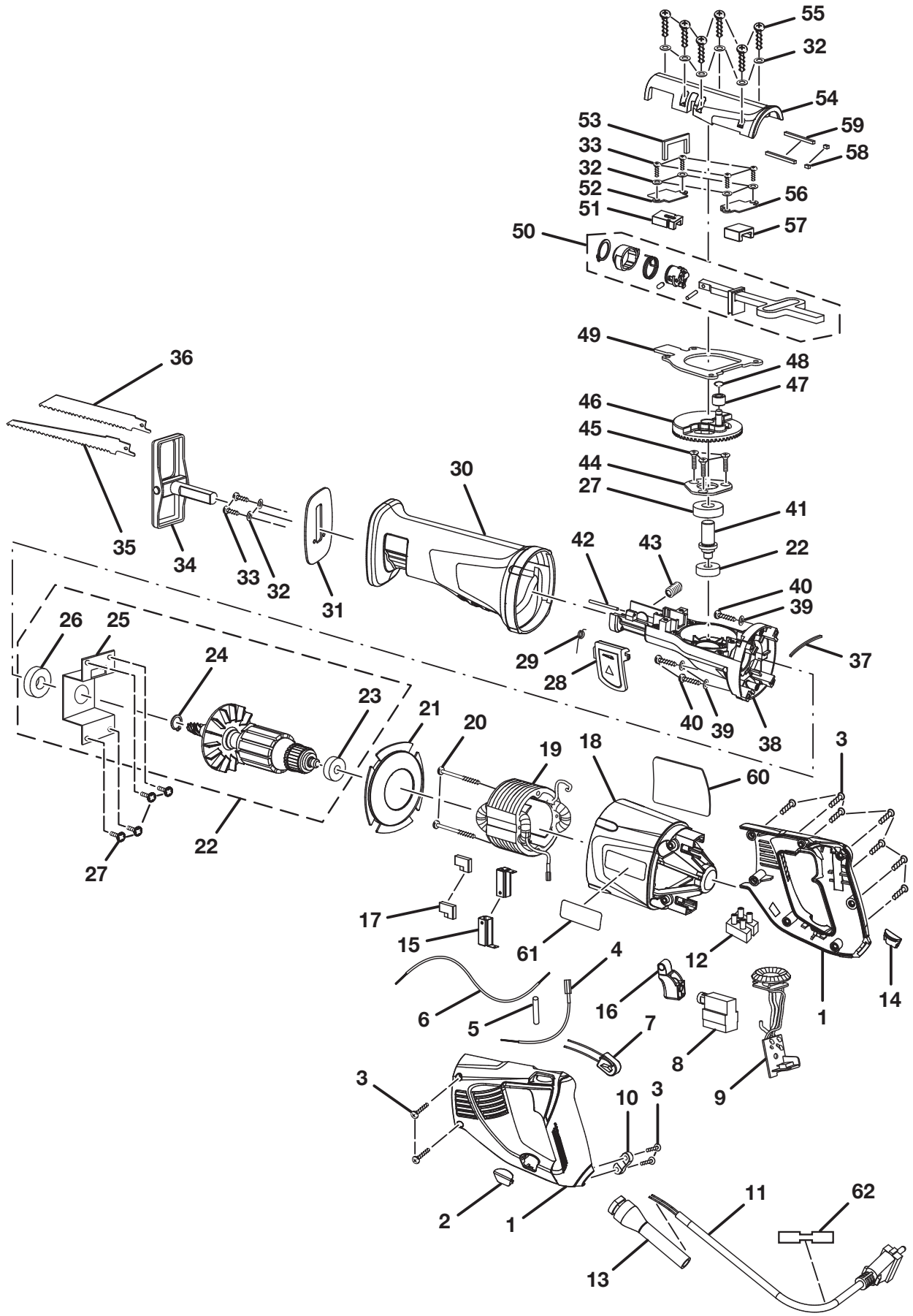


**RYOBI  
VARIABLE SPEED  
RECIPROCATING SAW  
MODEL NO. RJ165V  
REPAIR SHEET**

RYOBI RECIPROCATING SAW – MODEL NUMBER RJ165V



## RYOBI RECIPROCATING SAW – MODEL NUMBER RJ165V

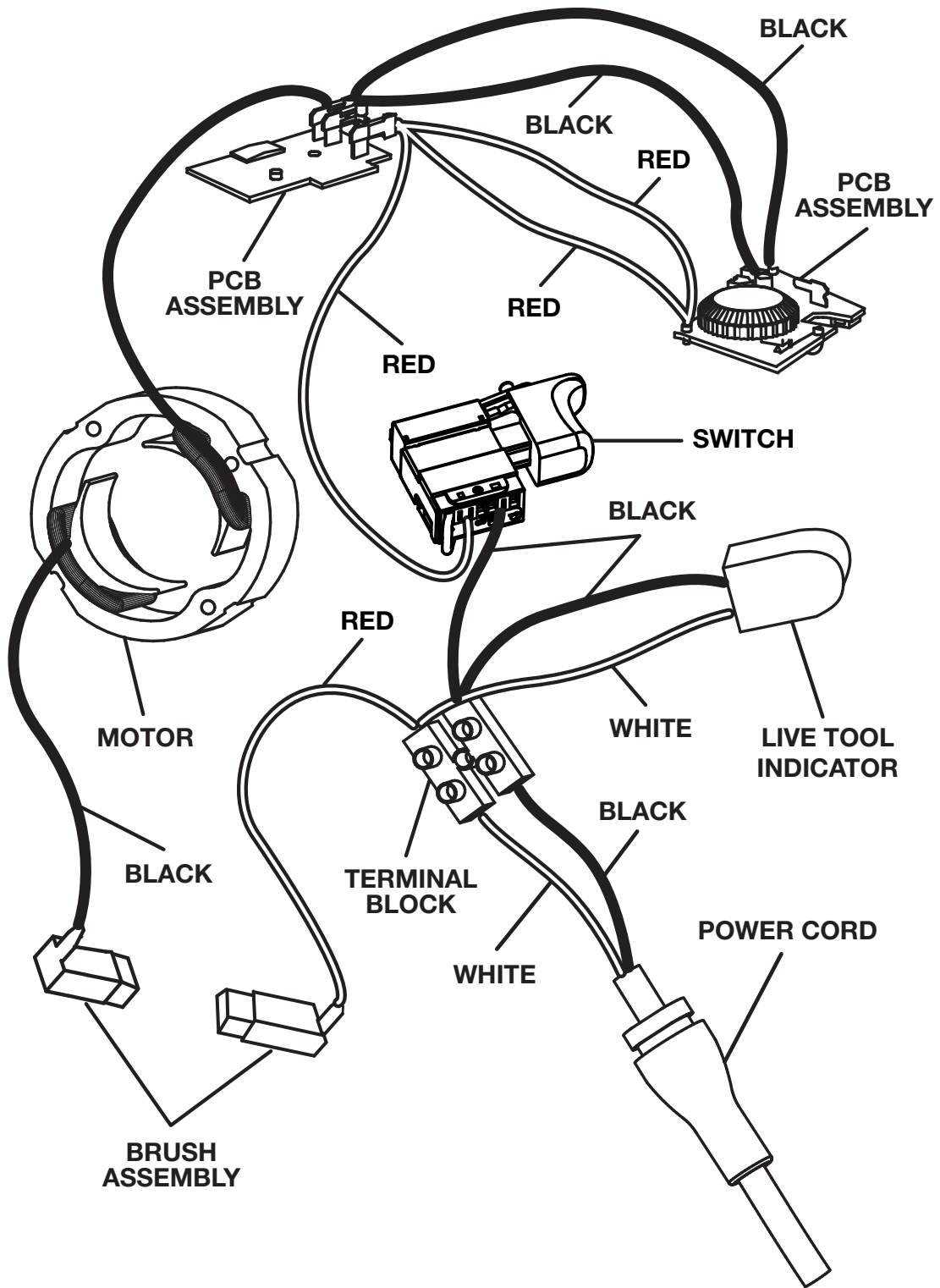
The model number will be found on a plate attached to the motor housing. Always mention the model number in all correspondence regarding your **RECIPROCATING SAW** or when ordering repair parts.

### PARTS LIST

KEY PART NO. NUMBER	DESCRIPTION	QTY.	KEY PART NO. NUMBER	DESCRIPTION	QTY.		
1	200682001	HANDLE ASSEMBLY.....	1	33	6621202	SCREW (M4 x 10 mm).....	6
2	516933001	LEFT LIVE INDICATOR LENS ...	1	34	300216034	SHOE ASSEMBLY .....	1
3	660208052	SCREW (M4 x 16 mm).....	11	35	690347002	WOOD CUTTING BLADE (6 in.)...	1
4	290061150	RECEPTACLE & WIRE ASSEMBLY .....	1	36	690348003	METAL CUTTING BLADE (4 in.)..	1
5	700003001	SHRINK TUBE .....	1	37	9066701	GEAR CASE SEAL.....	1
6	770318131	BLACK LEAD .....	1	38	6453501	GEAR CASE.....	1
7	290251013	LIVE INDICATOR.....	1	39	680863003	SPRING WASHER .....	4
8	7628601	SWITCH .....	1	40	660259008	SCREW (M4.5 x 35 mm).....	4
9	280013189	CIRCUIT BOAD ASSEMBLY .....	1	41	6940401	GEAR SHAFT.....	1
10	5950101	CORD CLAMP .....	1	42	6833409	PIN.....	1
11	730372009	POWER CORD .....	1	43	660169060	SCREW (M6 x 14 mm).....	1
12	690331001	TERMINAL BLOCK.....	1	44	6839502	SHAFT MOUNTING PLATE .....	1
13	5927402	BEND RELIEF .....	1	45	660213019	SCREW (M4 x 16 mm).....	3
14	516934001	RIGHT LIVE INDICATOR LENS..	1	46	3036203	GEAR & PIN ASSEMBLY .....	1
15	290069077	BRUSH ASSEMBLY .....	2	47	6829601	NEEDLE BEARING .....	1
16	516932001	TRIGGER .....	1	48	6770401	RETAINING RING.....	1
17	560199002	TERMINAL SLEEVE .....	2	49	6934501	YOKE PLATE.....	1
18	516929002	MOTOR HOUSING .....	1	50	300003101	OUTPUT SHAFT ASSEMBLY ...	1
19	741199001	FIELD .....	1	51	610730001	GUIDING BLOCK.....	1
20	660156002	SCREW (M4 x 50 mm).....	2	52	6934201	COVER PLATE .....	1
21	516935001	BAFFLE.....	1	53	5682601	RUBBER SEAL .....	1
22	200698001	ARMATURE ASSEMBLY (INC. KEY NOS. 23-26).....	1	54	516928002	GEAR CASE COVER .....	1
23	680141018	BALL BEARING (608ZZ).....	2	55	660165007	SCREW (M4 x 18 mm).....	6
24	6939601	C-RING .....	1	56	6934901	COVER PLATE .....	1
25	6950301	BEARING COVER.....	1	57	6935601	GUIDING BLOCK.....	1
26	690395003	BALL BEARING (6001ZZ).....	2	58	902176001	FOAM SEAL.....	2
27	660228012	SCREW (M3 x 8 mm).....	4	59	902175001	FOAM SEAL.....	2
28	301232006	RELEASE LEVER ASSEMBLY ....	1	60	940114212	DATA LABEL .....	1
29	6950201	TORSION SPRING.....	1	61	940114213	LOGO LABEL.....	1
30	561990001	RUBBER BOOT .....	1	62	940114214	CORD TAG LABEL.....	1
31	632394001	GUIDE PLATE .....	1	<b>Not Shown:</b>			
32	670030004	SPRING WASHER .....	12	902036003	TOOL BAG		
				987000321	OPERATOR'S MANUAL		
				1-13-10			
				(REV:03)			

**WARNING:** Improper repair of a double insulated tool can result in damage to the double insulation system possibly causing electrical shock or electrocution. Any repairs requiring disassembly of your tool requires safety testing and should only be performed by a Ryobi Authorized Service Center. For the service center nearest you call 1-800-525-2579.

RYOBI RECIPROCATING SAW – MODEL NUMBER RJ165V



**WIRING DIAGRAM**