

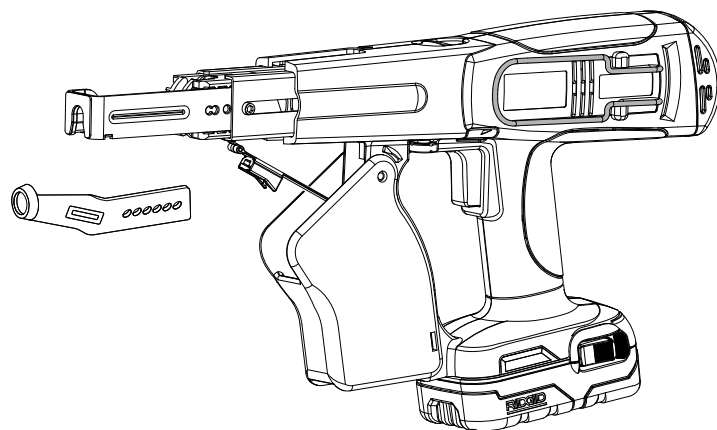


# OPERATOR'S MANUAL 18 VOLT COLLATED SCREWDRIVER

MANUEL D'UTILISATION  
TOURNEVIS À CHARGEUR DE VIS EN BANDE DE 18 V

MANUAL DEL OPERADOR  
DESTORNILLADOR PARA TORNILLOS EN TIRAS DE 18 V

R8660



To register your RIDGID product, please visit:  
<http://register.RIDGID.com>

Pour enregistrer votre produit de RIDGID, s'il vous plaît la visite:  
<http://register.RIDGID.com>

Para registrar su producto de RIDGID, por favor visita:  
<http://register.RIDGID.com>

Your collated screwdriver has been engineered and manufactured to our high standards for dependability, ease of operation, and operator safety. When properly cared for, it will give you years of rugged, trouble-free performance.

**⚠ WARNING:**

To reduce the risk of injury, the user must read and understand the operator's manual before using this product.

Thank you for buying a RIDGID® product.

## SAVE THIS MANUAL FOR FUTURE REFERENCE

Cette tournevis à chargeur de vis en bande a été conçue et fabriquée conformément à nos strictes normes de fiabilité, simplicité d'emploi et sécurité d'utilisation. Correctement entretenue, elle vous donnera des années de fonctionnement robuste et sans problème.

**⚠ AVERTISSEMENT :**

Pour réduire les risques de blessures, l'utilisateur doit lire et veiller à bien comprendre le manuel d'utilisation avant d'utiliser ce produit.

Merci d'avoir acheté un produit RIDGID®.

**CONSERVER CE MANUEL POUR  
FUTURE RÉFÉRENCE**

Su destornillador para tornillos en tiras ha sido diseñado y fabricado de conformidad con nuestras estrictas normas para brindar fiabilidad, facilidad de uso y seguridad para el operador. Con el debido cuidado, le brindará muchos años de sólido y eficiente funcionamiento.

**⚠ ADVERTENCIA:**

Para reducir el riesgo de lesiones, el usuario debe leer y comprender el manual del operador antes de usar este producto.

Le agradecemos la compra de un producto RIDGID®.

**GUARDE ESTE MANUAL PARA  
FUTURAS CONSULTAS**

# TABLE OF CONTENTS

---

■ Introduction .....	2
Introduction / Introducción	
■ General Safety Rules .....	3-4
Règles de sécurité générales / Reglas de seguridad generales	
■ Specific Safety Rules .....	4
Règles de sécurité particulières / Reglas de seguridad específicas	
■ Symbols .....	5
Symboles / Símbolos	
■ Features .....	6
Caractéristiques / Características	
■ Assembly .....	6-7
Assemblage / Armado	
■ Operation .....	7-9
Utilisation / Funcionamiento	
■ Maintenance .....	10
Entretien / Mantenimiento	
■ Accessories .....	10
Accessoires / Accesorios	
■ Troubleshooting .....	11
Dépannage / Solución de problemas	
■ Warranty .....	12
Garantie / Garantía	
■ Figure numbers (illustrations) .....	13-14
Figure numéros (illustrations) / Figura numeras (ilustraciones)	
■ Parts Ordering and Service .....	Back Page
Commande de pièces et réparation / Pedidos de piezas y servicio .....	Page arrière / Pág. posterior

## INTRODUCTION

---

This product has many features for making its use more pleasant and enjoyable. Safety, performance, and dependability have been given top priority in the design of this product making it easy to maintain and operate.

\* \* \*

Ce produit offre de nombreuses fonctions destinées à rendre son utilisation plus plaisante et satisfaisante. Lors de la conception de ce produit, l'accent a été mis sur la sécurité, les performances et la fiabilité, afin d'en faire un outil facile à utiliser et à entretenir.

\* \* \*

Este producto ofrece numerosas características para hacer más agradable y placentero su uso. En el diseño de este producto se ha conferido prioridad a la seguridad, el desempeño y la fiabilidad, por lo cual se facilita su manejo y mantenimiento.

# GENERAL SAFETY RULES

**⚠ WARNING - Read all instructions.** Failure to follow all instructions listed below may result in electric shock, fire and/or serious injury. The term “power tool” in all of the warnings listed below refers to your mains-operated (corded) power tool or battery-operated (cordless) power tool.

## SAVE THESE INSTRUCTIONS

### WORK AREA SAFETY

- **Keep work area clean and well lit.** Cluttered or dark areas invite accidents.
- **Do not operate power tools in explosive atmospheres, such as in the presence of flammable liquids, gases or dust.** Power tools create sparks which may ignite the dust or fumes.
- **Keep children and bystanders away while operating a power tool.** Distractions can cause you to lose control.

### ELECTRICAL SAFETY

- **Power tool plugs must match the outlet. Never modify the plug in any way. Do not use any adapter plugs with earthed (grounded) power tools.** Unmodified plugs and matching outlets will reduce risk of electric shock.
- **Avoid body contact with earthed or grounded surfaces such as pipes, radiators, ranges and refrigerators.** There is an increased risk of electric shock if your body is earthed or grounded.
- **Do not expose power tools to rain or wet conditions.** Water entering a power tool will increase the risk of electric shock.
- **Do not abuse the cord. Never use the cord for carrying, pulling or unplugging the power tool. Keep cord away from heat, oil, sharp edges or moving parts.** Damaged or entangled cords increase the risk of electric shock.
- **When operating a power tool outdoors, use an extension cord suitable for outdoor use.** Use of a cord suitable for outdoor use reduces the risk of electric shock.
- **Use battery only with charger listed.**

MODEL	BATTERY PACK (Li-ion)	CHARGER
R8660	18 V R84008 R840084	R840091 (140276006)
	<b>BATTERY PACK (Ni-Cd)</b>	140276010
	130254003, 130254007, 130252004	140276003 140276004

### PERSONAL SAFETY

- **Stay alert, watch what you are doing and use common sense when operating a power tool. Do not use a power tool while you are tired or under the influence of drugs, alcohol or medication.** A moment of inattention while operating power tools may result in serious personal injury.
- **Use safety equipment. Always wear eye protection.** Safety equipment such as dust mask, non-skid safety shoes, hard hat, or hearing protection used for appropriate conditions will reduce personal injuries.

- **Avoid accidental starting. Ensure the switch is in the off-position before plugging in.** Carrying power tools with your finger on the switch or plugging in power tools that have the switch on invites accidents.
- **Remove any adjusting key or wrench before turning the power tool on.** A wrench or a key left attached to a rotating part of the power tool may result in personal injury.
- **Do not overreach. Keep proper footing and balance at all times.** This enables better control of the power tool in unexpected situations.
- **Dress properly. Do not wear loose clothing or jewelry. Keep your hair, clothing and gloves away from moving parts.** Loose clothes, jewelry or long hair can be caught in moving parts.
- **If devices are provided for the connection of dust extraction and collection facilities, ensure these are connected and properly used.** Use of these devices can reduce dust-related hazards.
- **Do not wear loose clothing or jewelry. Contain long hair.** Loose clothes, jewelry, or long hair can be drawn into air vents.
- **Do not use on a ladder or unstable support.** Stable footing on a solid surface enables better control of the power tool in unexpected situations.

### POWER TOOL USE AND CARE

- **Do not force the power tool. Use the correct power tool for your application.** The correct power tool will do the job better and safer at the rate for which it was designed.
- **Do not use the power tool if the switch does not turn it on and off.** Any power tool that cannot be controlled with the switch is dangerous and must be repaired.
- **Disconnect the plug from the power source and/or the battery pack from the power tool before making any adjustments, changing accessories, or storing power tools.** Such preventive safety measures reduce the risk of starting the power tool accidentally.
- **Store idle power tools out of the reach of children and do not allow persons unfamiliar with the power tool or these instructions to operate the power tool.** Power tools are dangerous in the hands of untrained users.
- **Maintain power tools. Check for misalignment or binding of moving parts, breakage of parts and any other condition that may affect the power tools operation. If damaged, have the power tool repaired before use.** Many accidents are caused by poorly maintained power tools.
- **Keep cutting tools sharp and clean.** Properly maintained cutting tools with sharp cutting edges are less likely to bind and are easier to control.
- **Use the power tool, accessories and tool bits etc., in accordance with these instructions and in the manner intended for the particular type of power tool, taking into account the working conditions and the work to be performed.** Use of the power tool for operations different from those intended could result in a hazardous situation.

### BATTERY TOOL USE AND CARE

- **Ensure the switch is in the off position before inserting battery pack.** Inserting the battery pack into power tools that have the switch on invites accidents.
- **Recharge only with the charger specified by the manufacturer.** A charger that is suitable for one type of

# GENERAL SAFETY RULES

---

battery pack may create a risk of fire when used with another battery pack.

- **Use power tools only with specifically designated battery packs.** Use of any other battery packs may create a risk of injury and fire.
- **When battery pack is not in use, keep it away from other metal objects like paper clips, coins, keys, nails, screws, or other small metal objects that can make a connection from one terminal to another.** Shorting the battery terminals together may cause burns or a fire.
- **Under abusive conditions, liquid may be ejected from the battery, avoid contact. If contact accidentally occurs, flush with water. If liquid contacts eyes, additionally seek medical help.** Liquid ejected from the battery may cause irritation or burns.

## SERVICE

- **Have your power tool serviced by a qualified repair person using only identical replacement parts.** This will ensure that the safety of the power tool is maintained.

---

### **WARNING:**

To reduce the risk of injury, user must read instruction manual.

- 
- **When servicing a power tool, use only identical replacement parts. Follow instructions in the Maintenance section of this manual.** Use of unauthorized parts or failure to follow Maintenance instructions may create a risk of shock or injury.

# SPECIFIC SAFETY RULES

---

- **Hold power tools by insulated gripping surfaces when performing an operation where the cutting tool may contact hidden wiring or its own cord.** Contact with a “live” wire will make exposed metal parts of the tool “live” and shock the operator.
- **Know your power tool. Read operator’s manual carefully. Learn its applications and limitations, as well as the specific potential hazards related to this tool.** Following this rule will reduce the risk of electric shock, fire, or serious injury.
- **Always wear eye protection with side shields marked to comply with ANSI Z87.1.** Following this rule will reduce the risk of serious personal injury.
- **Protect your lungs. Wear a face or dust mask if the operation is dusty.** Following this rule will reduce the risk of serious personal injury.
- **Protect your hearing. Wear hearing protection during extended periods of operation.** Following this rule will reduce the risk of serious personal injury.
- **Battery tools do not have to be plugged into an electrical outlet; therefore, they are always in operating condition. Be aware of possible hazards when not using your battery tool or when changing accessories.** Following this rule will reduce the risk of electric shock, fire, or serious personal injury.
- **Do not place battery tools or their batteries near fire or heat.** This will reduce the risk of explosion and possibly injury.
- **Do not crush, drop or damage battery pack. Do not use a battery pack or charger that has been dropped or received a sharp blow.** A damaged battery is subject to explosion. Properly dispose of a dropped or damaged battery immediately.
- **Batteries can explode in the presence of a source of ignition, such as a pilot light.** To reduce the risk of serious personal injury, never use any cordless product in the presence of open flame. An exploded battery can propel debris and chemicals. If exposed, flush with water immediately.
- **Do not charge battery tool in a damp or wet location.** Following this rule will reduce the risk of electric shock.
- **For best results, your battery tool should be charged in a location where the temperature is more than 50°F but less than 100°F.** To reduce the risk of serious personal injury, do not store outside or in vehicles.
- **Under extreme usage or temperature conditions, battery leakage may occur. If liquid comes in contact with your skin, wash immediately with soap and water, then neutralize with lemon juice or vinegar. If liquid gets into your eyes, flush them with clean water for at least 10 minutes, then seek immediate medical attention.** Following this rule will reduce the risk of serious personal injury.
- **Save these instructions.** Refer to them frequently and use them to instruct others who may use this tool. If you loan someone this tool, loan them these instructions also to prevent misuse of the product and possible injury.

---

### **WARNING:**




Some dust created by power sanding, sawing, grinding, drilling, and other construction activities contains chemicals known to cause cancer, birth defects or other reproductive harm. Some examples of these chemicals are:

- lead from lead-based paints,
- crystalline silica from bricks and cement and other masonry products, and
- arsenic and chromium from chemically-treated lumber.







Your risk from these exposures varies, depending on how often you do this type of work. To reduce your exposure to these chemicals: work in a well ventilated area, and work with approved safety equipment, such as those dust masks that are specially designed to filter out microscopic particles.

# SYMBOLS

The following signal words and meanings are intended to explain the levels of risk associated with this product.

SYMBOL	SIGNAL	MEANING
	<b>DANGER:</b>	Indicates an imminently hazardous situation, which, if not avoided, will result in death or serious injury.
	<b>WARNING:</b>	Indicates a potentially hazardous situation, which, if not avoided, could result in death or serious injury.
	<b>CAUTION:</b>	Indicates a potentially hazardous situation, which, if not avoided, may result in minor or moderate injury.
	<b>CAUTION:</b>	(Without Safety Alert Symbol) Indicates a situation that may result in property damage.

Some of the following symbols may be used on this product. Please study them and learn their meaning. Proper interpretation of these symbols will allow you to operate the product better and safer.

SYMBOL	NAME	DESIGNATION/EXPLANATION
	Safety Alert	Indicates a potential personal injury hazard.
	Read Operator's Manual	To reduce the risk of injury, user must read and understand operator's manual before using this product.
	Eye Protection	Always wear eye protection with side shields marked to comply with ANSI Z87.1.
	Wet Conditions Alert	Do not expose to rain or use in damp locations.
	Recycle Symbols	This product uses nickel-cadmium (Ni-Cd) and lithium-ion (Li-ion) batteries. Local, state, or federal laws may prohibit disposal of batteries in ordinary trash. Consult your local waste authority for information regarding available recycling and/or disposal options.
V	Volts	Voltage
A	Amperes	Current
Hz	Hertz	Frequency (cycles per second)
W	Watt	Power
min	Minutes	Time
~	Alternating Current	Type of current
≡	Direct Current	Type or a characteristic of current
n <sub>0</sub>	No Load Speed	Rotational speed, at no load
	Class II Tool	Double-insulated construction
.../min	Per Minute	Revolutions, strokes, surface speed, orbits etc., per minute

# FEATURES

---

## PRODUCT SPECIFICATIONS

Motor.....	18 Volt DC	No Load Speed .....	3,500 r/min. (RPM)
Switch.....	Single speed/Reversible	Screw Sizes.....	1 in. - 3 in. length

---

## KNOW YOUR COLLATED SCREWDRIVER

See Figure 1, page 13.

The safe use of this product requires an understanding of the information on the product and in this operator's manual as well as a knowledge of the project you are attempting. Before use of this product, familiarize yourself with all operating features and safety rules.

## ADJUSTABLE NOSEPIECES

Your screwdriver has an adjustable nosepiece for varying screw depth and easy bit changes. There are two nosepieces included, one for wood and one for drywall.

## BELT CLIP

The convenient belt clip can be used on either side of the tool.

## BIT RELEASE

The bit release makes it quick and easy to change bits without the use of tools.

## DEPTH OF DRIVE ADJUSTMENT

The drive depth can be adjusted for different applications and workpiece thickness.

## DIRECTION OF ROTATION SELECTOR (FORWARD/REVERSE/CENTER LOCK)

The screwdriver has a direction of rotation (forward/reverse/center lock) selector located above the switch trigger for changing the direction of bit rotation.

# ASSEMBLY

---

## UNPACKING

This product has been shipped completely assembled.

- Carefully remove the product and any accessories from the box. Make sure that all items listed in the packing list are included.

---

### **WARNING:**

Do not use this product if it is not completely assembled or if any parts appear to be missing or damaged. Use of a product that is not properly and completely assembled could result in serious personal injury.

- 
- Inspect the product carefully to make sure no breakage or damage occurred during shipping.
  - Do not discard the packing material until you have carefully inspected and satisfactorily operated the product.
  - If any parts are damaged or missing, please call 1-866-539-1710 for assistance.

## PACKING LIST

Screwdriver  
Adjustable Nosepiece (Wood)  
Adjustable Nosepiece (Drywall)  
6-1/4 in. Phillips Bit  
Square Head Bit  
3/32 in. Hex Key  
9/64 in. Hex Key  
Nosepiece pads (3)  
Battery Pack  
Charger  
Tool Bag  
Operator's Manual

---

### **WARNING:**

If any parts are damaged or missing do not operate this product until the parts are replaced. Use of this product with damaged or missing parts could result in serious personal injury.

---

# ASSEMBLY

---

## WARNING:

Do not attempt to modify this product or create accessories not recommended for use with this product. Any such alteration or modification is misuse and could result in a hazardous condition leading to possible serious personal injury.

---

## WARNING:

To prevent accidental starting that could cause serious personal injury, always remove the battery pack from the product when assembling parts.

---

# OPERATION

---

## WARNING:

Do not allow familiarity with tools to make you careless. Remember that a careless fraction of a second is sufficient to inflict severe injury.

---

## WARNING:

Always wear eye protection with side shields marked to comply with ANSI Z87.1. Failure to do so could result in objects being thrown into your eyes resulting in possible serious injury.

---

## WARNING:

Do not use any attachments or accessories not recommended by the manufacturer of this product. The use of attachments or accessories not recommended can result in serious personal injury.

---

## APPLICATIONS

You may use this tool for the purposes listed below:

- Driving multiple screws into wood and drywall with screw-driver bits.

This product will accept RIDGID 18 V lithium-ion battery packs and RIDGID 18 V nickel-cadmium battery packs.

For complete charging instructions, refer to the Operator's Manual for the battery packs and chargers listed in the General Safety Rules.

---

## CAUTION:

To reduce the risk of injury, charge only RIDGID lithium-ion batteries and RIDGID nickel-cadmium batteries on the chargers listed in the General Safety Rules. Other types of batteries may burst, causing personal injury or damage.

---

## BATTERY PROTECTION FEATURES

RIDGID 18 V lithium-ion batteries are designed with features that protect the lithium-ion cells and maximize battery life. Under some operating conditions, these built-in features may cause the battery and the tool it is powering to act differently from nickel-cadmium batteries.

During some applications, the battery electronics may signal the battery to shut down, and cause the tool to stop running. To reset the battery and tool, release the trigger and resume normal operation.

**NOTE:** To prevent further shut down of the battery, avoid forcing the tool. If releasing the trigger does not reset the battery and tool, the battery pack is depleted. If depleted, the battery pack will begin charging when placed on the lithium-ion charger.

## TO INSTALL/REMOVE BATTERY PACK

See Figure 2, page 13.

### To install the battery pack:

- Lock the switch trigger by placing the direction of rotation (forward/reverse/center lock) selector in center position.
  - Align the raised rib on the battery pack with the groove inside the drill.
  - Make sure the latches on each side of the battery pack snap in place and battery pack is secured before beginning operation.
- 

## WARNING:

Always remove battery pack from your tool when you are assembling parts, making adjustments, cleaning, or when not in use. Removing battery pack will prevent accidental starting that could cause serious personal injury.

---

### To remove the battery pack:

- Lock the switch trigger by placing the direction of rotation selector in center position.
- Depress the latches on each side of the battery pack to release the battery pack from the drill.
- The battery pack will disconnect in the direction to be removed when the latches are depressed.

# OPERATION

---

## **WARNING:**

Battery tools are always in operating condition. Therefore, switch should always be locked when not in use or carrying at your side.

---

## **ADJUSTING THE BELT CLIP**

See Figure 3, page 13.

The belt clip may be attached to either side of the tool.

- Press in on both sides of the belt clip to remove it.
- Insert the ends of the clip into the holes on the other side and release it.
- Make sure the clip is securely attached to the tool before hanging it from a belt.

## **TURNING THE SCREWDRIVER ON/OFF**

See Figure 4, page 13.

To turn the screwdriver **ON**, depress the switch trigger. Release the switch trigger to turn the screwdriver **OFF**.

## **DIRECTION OF ROTATION SELECTOR (FORWARD/REVERSE/CENTER LOCK)**

See Figure 4, page 13.

The direction of rotation of the bit is controlled by a selector located above the switch trigger. With the screwdriver held in normal operating position, the direction of rotation selector should be positioned to the left of the switch for forward driving operation. The direction of rotation is in reverse when the selector is to the right of the switch.

**NOTE:** The screwdriver will not run unless the forward/reverse selector is pushed fully to the left or right.

---

## **CAUTION:**

To prevent gear damage, always allow the bit to come to a complete stop before changing the direction of rotation.

---

## **INSTALLING BITS**

See Figure 5, page 13.

- Remove the battery pack from the screwdriver.
- Remove screw strip from the tool if previously loaded.
- Hold the screwdriver upright and pull the bit release toward the rear of the tool.
- Drop the bit into the feed housing.
- While still holding the bit release, depress the nosepiece with the palm of your opposite hand to center the bit.
- Cycle the nosepiece up and down while gently shaking the tool until the bit drops into place.

**NOTE:** You should not be able to see the bit above the feed housing.

- Release the button when the bit drops into place.
- Make sure that the bit is secure by pointing the tool downward and shaking the tool.

- If the bit is not secure, repeat the installation steps.

## **REMOVING BITS**

See Figure 6, page 14.

- Remove the battery pack from the screwdriver.
- Remove screw strip from the tool if previously loaded.
- Hold the tool with the nose pointed downward.
- Pull the bit release toward the rear of the tool and shake the tool.
- Release the button when the bit drops out of the feed housing.

## **SETTING SCREW LENGTH**

See Figure 7, page 14.

The adjustable nosepiece allows the tool to automatically drive screws to preset depths.

### **To make preset depth adjustments:**

- Remove the battery pack from the screwdriver.
- Remove the nosepiece screw by turning counterclockwise with the supplied 9/64 in. hex key.
- Slide nosepiece into the slot along the side of the feed housing.
- Align marks on the adjustable nosepiece with edge of feed housing for proper screw length.
- Reinsert and tighten the nosepiece screw by turning in clockwise direction using supplied 9/64 in. hex key.
- Make sure the nosepiece is securely attached before operating.

## **CHANGING THE NOSEPIECE**

See Figure 7, page 14.

Two nosepieces are included, one for wood and one for drywall. The nosepiece can be removed and changed out by following the instructions in "Setting Screw Length."

## **LOADING COLLATED SCREWS**

See Figures 8 - 9, page 14.

Before loading the screwdriver, check to be sure tops of screws are resting on top of the collated tape material as shown in figure 8.

### **To load the screw strip:**

- Remove the battery pack from the screwdriver.
- Adjust the nosepiece to the proper screw length. Follow the instructions in "Setting Screw Length."
- Unsnap and rotate the screw guard out of the way.
- Feed the strip into the strip guide.
- Move the screw strip forward into the feed housing until the second hole lines up with the bit. This will allow the screws to advance properly once the nosepiece is depressed.
- Replace the screw guard.



# OPERATION

---

## To remove the screw strip:

- Remove the battery pack from the screwdriver.
- Pull strip through from the top of the feed housing.

## DEPTH OF DRIVE ADJUSTMENT

See Figure 10, page 14.

The depth of drive adjustment thumbwheel allows fine-tuning of the countersink .

Begin each new job by driving several test screws in scrap material to check and adjust for proper countersink.

To increase or decrease the depth a screw is driven, turn in the direction shown.

The screwdriver has a depth-sensing clutch. When the screw is countersunk to the preset depth, it automatically disengages and make a clicking or ratcheting sound. This is normal and signals completion of the drive.

## DRIVING SCREWS

See Figure 11, page 14.

- Check the adjustable nosepiece for proper screw length setting.
- Check the direction of rotation selector for correct setting (forward or reverse).
- Secure the workpiece. Use clamps if necessary.
- Install the battery pack into the screwdriver.
- Hold the screwdriver firmly. For best results, hold the screwdriver at a right angle to the work surface.
- Depress the switch trigger to start the screwdriver.
- Press the nosepiece, with constant force, against the work surface. Do not remove the tool from the work surface until the clutch disengages and the bit stops rotating, signaling a fully driven screw.
- Check depth of drive adjustment for proper countersink. Adjust if necessary.
- You may keep the switch trigger depressed so the next screw will be automatically fed into place when the tool is depressed against the work surface.

# MAINTENANCE

---

**⚠ WARNING:**  
When servicing use only identical RIDGID® replacement parts. Use of any other parts may create a hazard or cause product damage.

---

**⚠ WARNING:**  
Always wear eye protection with side shields marked to comply with ANSI Z87.1. Failure to do so could result in objects being thrown into your eyes resulting in possible serious injury.

---

**⚠ WARNING:**  
To avoid serious personal injury, always remove the battery pack from the tool when cleaning or performing any maintenance.

---

## GENERAL MAINTENANCE

Avoid using solvents when cleaning plastic parts. Most plastics are susceptible to damage from various types of commercial solvents and may be damaged by their use. Use clean cloths to remove dirt, dust, oil, grease, etc.

---

**⚠ WARNING:**  
Do not at any time let brake fluids, gasoline, petroleum-based products, penetrating oils, etc., come in contact with plastic parts. Chemicals can damage, weaken or destroy plastic which may result in serious personal injury.

---

# ACCESSORIES

---

Look for these accessories where you purchased this product:

- Phillips bit .....AC96601
  - Square head bit .....AC96602
- 

**⚠ WARNING:**  
Current attachments and accessories available for use with this tool are listed above. Do not use any attachments or accessories not recommended by the manufacturer of this tool. The use of attachments or accessories not recommended can result in serious personal injury.

---

Only the parts shown on the parts list are intended to be repaired or replaced by the customer. All other parts should be replaced at a RIDGID authorized service center.

## REPLACING THE NOSEPIECE PAD

The pad on the end of the nosepiece for wood will wear with continued use. To replace the nosepiece:

Remove the battery pack from the tool. Remove the existing pad and clean the nosepiece to remove all residue. Remove the adhesive backing from a new pad and firmly press to secure.

## BATTERY PACK REMOVAL AND PREPARATION FOR RECYCLING

**⚠ WARNING:**  
Upon removal, cover the battery pack's terminals with heavy-duty adhesive tape. Do not attempt to destroy or disassemble battery pack or remove any of its components. Lithium-ion and nickel-cadmium batteries must be recycled or disposed of properly. Also, never touch both terminals with metal objects and/or body parts as short circuit may result. Keep away from children. Failure to comply with these warnings could result in fire and/or serious injury.

---

# TROUBLESHOOTING

PROBLEM	CAUSE	SOLUTION
Motor starts slowly or fails to come to full speed	Starting switch not operating	Have switch replaced
	Battery pack is not charged	Charge the battery pack according to the instructions included with your charger
Tool does not drive screw into material	Bit is worn	Replace the bit
	Overloaded motor	Check applications section for proper uses
Tool does not complete drive	Depth of drive improperly set	Adjust depth of drive
	Bit is clogged or worn	Clean or replace bit
Screws do not advance	Screw length not set correctly	Adjust according to “Setting Screw Length” section
Screws fall out during application	Screw length not set correctly	Adjust according to “Setting Screw Length” section
	Bit track is damaged or worn	Replace slide body assembly
Bit does not install correctly	Bit not properly seated into bit housing	Refer to “Install Bits” section
Bit slides or jumps off screw Screw is driven at an angle	Tool is pushed forward during drive	Hold tool firmly while working
	Tool is out of alignment	Return to authorized service center
	Bit track is damaged or worn	Replace slide body assembly
Screw jams	Screw length not set properly	Adjust according to “Setting Screw Length” section
	Nosepiece screw loosened	Tighten nosepiece screw
	Bit track is damaged or worn	Replace slide body assembly
	Bit is damaged or worn	Replace bit
	Nosepiece is bent or damaged	Replace nosepiece
Slide mechanism sticks or “returns” slowly	Build up of debris in mechanism	Clean return mechanism
	Weak return spring	Replace spring
Motor overheats	Overloaded motor	Check applications section for proper uses
Pushing force becomes difficult	Slide body assembly is worn	Replace slide body assembly

# WARRANTY

---

## RIDGID® HAND HELD AND STATIONARY POWER TOOL 3 YEAR LIMITED SERVICE WARRANTY

Proof of purchase must be presented when requesting warranty service.

Limited to RIDGID® hand held and stationary power tools purchased 2/1/04 and after. This product is manufactured by One World Technologies, Inc. The trademark is licensed from RIDGID, Inc. All warranty communications should be directed to One World Technologies, Inc., attn: RIDGID Hand Held and Stationary Power Tool Technical Service at (toll free) 1-866-539-1710.

### 90-DAY SATISFACTION GUARANTEE POLICY

During the first 90 days after the date of purchase, if you are dissatisfied with the performance of this RIDGID® Hand Held and Stationary Power Tool for any reason you may return the tool to the dealer from which it was purchased for a full refund or exchange. To receive a replacement tool you must present proof of purchase and return all original equipment packaged with the original product. The replacement tool will be covered by the limited warranty for the balance of the 3 YEAR service warranty period.

### WHAT IS COVERED UNDER THE 3 YEAR LIMITED SERVICE WARRANTY

This warranty on RIDGID® Hand Held and Stationary Power Tools covers all defects in workmanship or materials and normal wear items such as brushes, chucks, motors, switches, cords, gears and even cordless batteries in this RIDGID® tool for three years following the purchase date of the tool. Warranties for other RIDGID® products may vary.

### HOW TO OBTAIN SERVICE

To obtain service for this RIDGID® tool you must return it; freight prepaid, or take it in to an authorized service center for RIDGID® branded hand held and stationary power tools. You may obtain the location of the authorized service center nearest you by calling (toll free) 1-866-539-1710 or by logging on to the RIDGID® website at [www.ridgid.com](http://www.ridgid.com). When requesting warranty service, you must present the original dated sales receipt. The authorized service center will repair any faulty workmanship, and either repair or replace any part covered under the warranty, at our option, at no charge to you.

### WHAT IS NOT COVERED

This warranty applies only to the original purchaser at retail and may not be transferred. This warranty only covers defects arising under normal usage and does not cover any malfunction, failure or defect resulting from misuse, abuse, neglect, alteration, modification or repair by other than an authorized service center for RIDGID® branded hand held and stationary power tools. Consumable accessories provided with the tool such as, but not limited to, blades, bits and sand paper are not covered.

**RIDGID, INC. AND ONE WORLD TECHNOLOGIES, INC. MAKE NO WARRANTIES, REPRESENTATIONS OR PROMISES AS TO THE QUALITY OR PERFORMANCE OF ITS POWER TOOLS OTHER THAN THOSE SPECIFICALLY STATED IN THIS WARRANTY.**

### ADDITIONAL LIMITATIONS

To the extent permitted by applicable law, all implied warranties, including warranties of MERCHANTABILITY or FITNESS FOR A PARTICULAR PURPOSE, are disclaimed. Any implied warranties, including warranties of merchantability or fitness for a particular purpose, that cannot be disclaimed under state law are limited to three years from the date of purchase. One World Technologies, Inc. and RIDGID, Inc. are not responsible for direct, indirect, incidental or consequential damages. Some states do not allow limitations on how long an implied warranty lasts and/or do not allow the exclusion or limitation of incidental or consequential damages, so the above limitations may not apply to you. This warranty gives you specific legal rights, and you may also have other rights which vary from state to state.

---

**One World Technologies, Inc.**

P.O. Box 35, Hwy. 8  
Pickens, SC 29671

---

**NOTE: FIGURES (ILLUSTRATIONS) START ON PAGE 13  
AFTER FRENCH AND SPANISH LANGUAGE SECTIONS.**

# RÈGLES DE SÉCURITÉ GÉNÉRALES

**AVERTISSEMENT** - Lire toutes les instructions.  
Le non-respect de toutes les instructions ci-dessous peut entraîner un choc électrique, un incendie et/ou des blessures graves. Le terme « outil motorisé », utilisé dans tous les avertissements ci-dessous désigne tout outil fonctionnant sur secteur (câblé) ou sur batteries (sans fil).

## CONSERVER CES INSTRUCTIONS SÉCURITÉ DU LIEU DE TRAVAIL

- **Garder le lieu de travail propre et bien éclairé.** Les endroits encombrés ou sombres sont propices aux accidents.
- **Ne pas utiliser d'outils électriques dans des atmosphères explosives, par exemple en présence de liquides, gaz ou poussières inflammables.** Les outils électriques produisant des étincelles risquent d'enflammer les poussières ou vapeurs.
- **Garder les enfants et badauds à l'écart pendant l'utilisation d'un outil électrique.** Les distractions peuvent causer une perte de contrôle.

## SÉCURITÉ ÉLECTRIQUE

- **Les fiches des outils électriques doivent correspondre à la prise secteur utilisée. Ne jamais modifier la fiche, de quelque façon que ce soit. Ne jamais utiliser d'adaptateurs de fiche avec des outils mis à la terre.** Les fiches et prises non modifiées réduisent le risque de choc électrique.
- **Éviter tout contact du corps avec des surfaces mises à la terre, telles que tuyaux, radiateurs, cuisinières et réfrigérateurs.** Le risque de choc électrique est accru lorsque le corps est mis à la terre.
- **Ne pas exposer les outils électriques à l'eau ou l'humidité.** La pénétration d'eau dans ces outils accroît le risque de choc électrique.
- **Ne pas maltraiter le cordon d'alimentation. Ne jamais utiliser le cordon d'alimentation pour transporter l'outil et ne jamais débrancher ce dernier en tirant sur le cordon. Garder le cordon à l'écart de la chaleur, de l'huile, des objets tranchants et des pièces en mouvement.** Un cordon endommagé ou emmêlé accroît le risque de choc électrique.
- **Pour les travaux à l'extérieur, utiliser un cordon spécialement conçu à cet effet.** Utiliser un cordon conçu pour l'usage extérieur pour réduire les risques de choc électrique.
- **Ne recharger qu'avec l'appareil indiqué.**

MODÈLE	BATTERIES (Li-ion)	CHARGEUR
R8660	18 V R84008 R840084	R840091 (140276006) 140276010
	<b>BATTERIES (Ni-Cd)</b>	
	130254003, 130254007, 130252004	140276003 140276004

## SÉCURITÉ PERSONNELLE

- **Rester attentif, prêter attention au travail et faire preuve de bon sens lors de l'utilisation de tout outil électrique. Ne pas utiliser cet outil en état de fatigue ou sous l'influence de l'alcool, de drogues ou de médicaments.** Un moment d'inattention pendant l'utilisation d'un outil électrique peut entraîner des blessures graves.
- **Utiliser l'équipement de sécurité. Toujours porter une protection oculaire.** L'équipement de sécurité, tel qu'un masque filtrant, de chaussures de sécurité, d'un casque ou d'une protection auditive, utilisé dans des conditions appropriées réduira le risque de blessures.

- **Éviter les démarrages accidentels. S'assurer que le commutateur est en position d'arrêt avant de brancher l'outil.** Porter un outil avec le doigt sur son commutateur ou brancher un outil dont le commutateur est en position de marche peut causer un accident.
- **Retirer les clés de réglage avant de mettre l'outil en marche.** Une clé laissée sur une pièce rotative de l'outil peut causer des blessures.
- **Ne pas travailler hors de portée. Toujours se tenir bien campé et en équilibre.** Ceci permettra de mieux contrôler l'outil en cas de situation imprévue.
- **Porter une tenue appropriée. Ne porter ni vêtements amples, ni bijoux. Garder les cheveux, les vêtements et les gants à l'écart des pièces en mouvement.** Les vêtements amples, bijoux et cheveux longs peuvent se prendre dans les pièces en mouvement.
- **Si les outils sont équipés de dispositifs de dépoussiérage, s'assurer qu'ils sont connectés et correctement utilisés.** L'usage de ces dispositifs peut réduire les dangers présentés par la poussière.
- **Ne porter ni vêtements amples, ni bijoux. Attacher ou couvrir les cheveux longs.** Les vêtements amples, bijoux et cheveux longs peuvent se prendre dans les ouïes d'aération.
- **Ne pas utiliser l'outil sur une échelle ou un support instable.** Une bonne tenue et un bon équilibre permettent de mieux contrôler l'outil en cas de situation imprévue.

## UTILISATION ET ENTRETIEN DES OUTILS ÉLECTRIQUES

- **Ne pas forcer l'outil. Utiliser l'outil approprié pour l'application.** Un outil approprié exécutera le travail mieux et de façon moins dangereuse s'il est utilisé dans les limites prévues.
- **Ne pas utiliser l'outil si le commutateur ne permet pas de le mettre en marche ou de l'arrêter.** Tout outil qui ne peut pas être contrôlé par son commutateur est dangereux et doit être réparé.
- **Débrancher l'outil et/ou retirer le bloc de batteries avant d'effectuer des réglages, de changer d'accessoire ou de remiser l'outil.** Ces mesures de sécurité préventives réduisent les risques de démarrage accidentel de l'outil.
- **Ranger les outils motorisés hors de la portée des enfants et ne laisser personne n'étant pas familiarisé avec l'outil ou ces instructions utiliser l'outil.** Dans les mains de personnes n'ayant pas reçu des instructions adéquates, les outils sont dangereux.
- **Entretien des outils motorisés. Vérifier qu'aucune pièce mobile n'est mal alignée ou bloquée, qu'aucune pièce n'est brisée et s'assurer qu'aucun autre problème ne risque d'affecter le bon fonctionnement de l'outil. En cas de dommages faire réparer l'outil avant de l'utiliser de nouveau.** Beaucoup d'accidents sont causés par des outils mal entretenus.
- **Garder les outils bien affûtés et propres.** Des outils correctement entretenus et dont les tranchants sont bien affûtés risquent moins de se bloquer et sont plus faciles à contrôler.
- **Utiliser l'outil, les accessoires et embouts, etc., conformément à ces instructions pour les applications pour lesquelles ils sont conçus, en tenant compte des conditions et du type de travail à exécuter.** L'usage d'un outil motorisé pour des applications pour lesquelles il n'est pas conçu peut être dangereux.

## UTILISATION ET ENTRETIEN DE LA BATTERIE

- **S'assurer que le commutateur est en position d'arrêt avant d'insérer le bloc de batteries.** L'insertion du bloc de batteries dans un outil dont le commutateur est en position de marche peut causer un accident.

# RÈGLES DE SÉCURITÉ GÉNÉRALES

- **Ne recharger qu'avec l'appareil spécifié par le fabricant.** Un chargeur approprié pour un type de batterie peut créer un risque d'incendie s'il est utilisé avec un autre type de batterie.
- **Utiliser exclusivement le bloc de batterie spécifiquement indiqué pour l'outil.** L'usage de tout autre bloc peut créer un risque de blessures et d'incendie.
- **Lorsque le bloc de batteries n'est pas en usage, le garder à l'écart d'articles tels qu'attaches trombones, pièces de monnaie, clous, vis et autres petits objets métalliques risquant d'établir le contact entre les deux bornes.** La mise en court-circuit des bornes de batteries peut causer des étincelles, des brûlures ou un incendie.
- **En cas d'usage abusif, du liquide peut s'échapper des batteries. Éviter tout contact avec ce liquide. En cas de contact accidentel, rincer immédiatement les parties atteintes avec de l'eau. En cas d'éclaboussure dans les yeux consulter un médecin.** Le liquide s'échappant des batteries peut causer des irritations ou des brûlures.

## DÉPANNAGE

- **Les réparations doivent être confiées à un technicien qualifié, utilisant exclusivement des pièces identiques à celles d'origine.** Ceci assurera le maintien de la sécurité de l'outil.



### AVERTISSEMENT :

Pour réduire les risques de blessures, l'utilisateur doit lire le manuel d'utilisation.

- **Utiliser exclusivement des pièces identiques à celles d'origine pour les réparations. Se conformer aux instructions de la section Entretien de ce manuel.** L'usage de pièces non autorisées ou le non-respect des instructions peut présenter des risques de choc électrique ou de blessures.

# RÈGLES DE SÉCURITÉ PARTICULIÈRES

- **Lorsque l'outil est utilisé pour un travail risquant de le mettre en contact avec des fils électriques cachés ou son propre cordon d'alimentation, le tenir par les surfaces de prise isolées.** Tout contact avec un fil sous tension électrifierait les parties métalliques de l'outil, causant un choc électrique à l'opérateur. En cas de contact avec un fil sous tension, les parties métalliques exposées de l'outil seraient électrifées, exposant l'opérateur à un risque de choc électrique.
- **Apprendre à connaître l'outil. Lire attentivement le manuel d'utilisation. Apprendre les applications et les limites de l'outil, ainsi que les risques spécifiques relatifs à son utilisation.** Le respect de cette consigne réduira les risques d'incendie, de choc électrique et de blessures graves.
- **Toujours porter une protection oculaire avec écrans latéraux certifiée conforme à la norme ANSI Z87.1.** Le respect de cette règle réduira les risques de blessures graves.
- **Protection respiratoire. Porter un masque facial ou un masque antipoussière si le travail produit de la poussière.** Le respect de cette consigne réduira les risques de blessures graves.
- **Protection auditive. Porter une protection auditive lors de l'utilisation prolongée.** Le respect de cette règle réduira les risques de blessures graves.
- **Les outils fonctionnant sur batteries n'ayant pas besoin d'être branchés sur une prise secteur, ils sont toujours en état de fonctionnement. Tenir compte des dangers possibles lorsque l'outil n'est pas en usage et lors du remplacement des batteries.** Le respect de cette consigne réduira les risques d'incendie, de choc électrique et de blessures graves.
- **Ne pas placer les outils électriques sans fil ou leurs batteries à proximité de flammes ou d'une source de chaleur.** Ceci réduira les risques d'explosion et de blessures.
- **Ne pas écraser, faire tomber ou endommager le bloc de batteries. Ne jamais utiliser un bloc de batteries ou un chargeur qui est tombé, a été écrasé, a reçu un choc violent ou a été endommagé de quelque façon que ce soit.** Une batterie endommagée risque d'exploser. Éliminer immédiatement toute batterie endommagée, selon une méthode appropriée.
- **Les batteries peuvent exploser en présence d'une source d'allumage, telle qu'une veilleuse.** Pour réduire les risques de blessures graves, ne jamais utiliser un appareil sans fil, quel qu'il soit, en présence d'une flamme vive. En explosant, une batterie peut projeter des débris et des produits chimiques. En cas d'exposition, rincer immédiatement les parties atteintes avec de l'eau.
- **Ne pas recharger un outil fonctionnant sur batteries dans un endroit humide ou mouillé.** Le respect de cette règle réduira les risques de choc électrique.
- **Pour un résultat optimal, les batteries de l'outil doivent être rechargées dans un local où la température est de 10 à 38 °C (50 à 100°F). Ne pas ranger l'outil à l'extérieur ou dans un véhicule.**
- **Si l'outil est utilisé de façon intensive ou sous des températures extrêmes, des fuites de batterie peuvent se produire. En cas de contact du liquide avec la peau, rincer immédiatement la partie atteinte avec de l'eau savonneuse, puis neutraliser avec du jus de citron ou du vinaigre. En cas d'éclaboussure dans les yeux, les rincer à l'eau fraîche pendant au moins 10 minutes, puis contacter immédiatement un médecin.** Le respect de cette règle réduira les risques de blessures graves.
- **Conserver ces instructions.** Les consulter fréquemment et les utiliser pour instruire les autres utilisateurs éventuels. Si cet produit est prêté, il doit être accompagné de ces instructions.



### AVERTISSEMENT :




La poussière dégagée lors du ponçage, sciage, meulage, perçage de certains matériaux et lors d'autres opérations de construction contient des produits chimiques reconnus causer le cancer, des malformations congénitales ou des lésions de l'appareil reproducteur. Voici certains exemples de ces produits chimiques :

- le plomb contenu dans la peinture au plomb,
- la silice cristalline contenue dans les briques, le béton et d'autres produits de maçonnerie, ainsi que
- l'arsenic et le chrome contenus dans le bois de construction traité par produits chimiques.







Le risque présenté par l'exposition à ces produits varie en fonction de la fréquence de ce type de travail. Pour réduire l'exposition à ces produits chimiques : travailler dans un endroit bien aéré et utiliser des équipements de sécurité approuvés tels que masques antipoussière spécialement conçus pour filtrer les particules microscopiques.

# SYMBOLES

Les termes de mise en garde suivants et leur signification ont pour but d'expliquer le degré de risques associé à l'utilisation de ce produit.

SYMBOLE	SIGNAL	SIGNIFICATION
	<b>DANGER :</b>	Indique une situation extrêmement dangereuse qui, si elle n'est pas évitée, aura pour conséquences des blessures graves ou mortelles.
	<b>AVERTISSEMENT :</b>	Indique une situation potentiellement dangereuse qui, si elle n'est pas évitée, pourrait entraîner des blessures graves ou mortelles.
	<b>ATTENTION :</b>	Indique une situation potentiellement dangereuse qui, si elle n'est pas évitée, pourrait entraîner des blessures légères ou de gravité modérée.
	<b>ATTENTION :</b>	(Sans symbole d'alerte de sécurité) Indique une situation pouvant entraîner des dommages matériels.

Certains des symboles ci-dessous peuvent être utilisés sur produit. Veiller à les étudier et à apprendre leur signification. Une interprétation correcte de ces symboles permettra d'utiliser produit plus efficacement et de réduire les risques.

SYMBOLE	NOM	DÉSIGNATION / EXPLICATION
	Symbole d'alerte de sécurité	Indique un risque de blessure potentiel..
	Lire manuel d'utilisation	Pour réduire les risques de blessures, l'utilisateur doit lire et veiller à bien comprendre le manuel d'utilisation avant d'utiliser ce produit.
	Protection oculaire	Toujours porter une protection oculaire avec écrans latéraux certifiée conforme à la norme ANSI Z87.1.
	Avertissement concernant l'humidité	Ne pas exposer à la pluie ou l'humidité.
	Symboles de recyclage	Ce produit utilise les piles de nickel-cadmium (Ni-Cd) ou lithium-ion (Li-ion). Les réglementations locales ou gouvernementales peuvent interdire de jeter les piles dans les ordures ménagères. Consulter les autorités locales compétentes pour les options de recyclage et/ou l'élimination.
V	Volts	Tension
A	Ampères	Intensité
Hz	Hertz	Fréquence (cycles par seconde)
W	Watts	Puissance
min	Minutes	Temps
~	Courant alternatif	Type de courant
≡	Courant continu	Type ou caractéristique du courant
$n_0$	Vitesse à vide	Vitesse de rotation à vide
	Outil de classe II	Outil de classe II
.../min	Par minute	Tours, coups, vitesse périphérique, orbites, etc., par minute

# CARACTÉRISTIQUES

---

## FICHE TECHNIQUE

Moteur ..... 18 V C.C  
Commutateur ..... Une vitesse/Réversible

Vitesse à vide ..... 0 à 3 500 r/min. (RPM)  
Taille des vis ..... 25,4 mm (1 po) à 76,2 mm (3 po) (longueur)

---

## VEILLER À BIEN CONNAÎTRE LA TOURNEVIS À CHARGEUR DE VIS EN BANDE

Voir la figure 1, page 13.

La sécurité d'utilisation de ce produit exige la compréhension des informations apposées sur l'outil et contenues dans ce manuel d'utilisation, ainsi que la connaissance du travail à exécuter. Avant d'utiliser ce produit, se familiariser avec toutes ses fonctions et règles de sécurité.

### BOUTS RÉGLABLES

Le tournevis est doté d'un bout réglable pour visser à différentes profondeurs et changer facilement les embouts. L'ensemble comprend deux bouts : l'un est conçu pour le bois et l'autre pour les cloisons sèches.

### CROCHET DE CEINTURE

Comprend un crochet de ceinture pratique qui peut être installé d'un côté ou de l'autre de l'outil.

## RELÂCHEMENT DE L'EMBOUIT

Le relâchement de l'embout permet d'en changer rapidement et facilement sans avoir recours à des outils.

## RÉGLAGE DE LA PROFONDEUR DE VISSAGE

Il est possible d'ajuster la profondeur de vissage en fonction des différentes applications et de l'épaisseur de la pièce à travailler.

## SÉLECTEUR DE SENS DE ROTATION (AVANT / ARRIÈRE / VERROUILLAGE CENTRAL)

La tournevis à chargeur de vis est équipée d'un sélecteur de sens de rotation (marche avant / arrière / verrouillage central) situé au-dessus de la gâchette.

# ASSEMBLAGE

---

## DÉBALLAGE

Ce produit a été expédié complètement assemblé.

- Avec précaution, sortir l'outil et les accessoires de la boîte. S'assurer que toutes les pièces figurant sur la liste de contrôle sont incluses.

### AVERTISSEMENT :

Ne pas utiliser le produit s'il n'est pas complètement assemblé ou si des pièces semblent manquantes ou endommagées. Le fait d'utiliser un produit assemblé de façon inadéquate ou incomplète peut entraîner des blessures graves.

- Examiner soigneusement l'outil pour s'assurer que rien n'a été brisé ou endommagé en cours de transport.
- Ne pas jeter les matériaux d'emballage avant d'avoir soigneusement examiné l'outil et avoir vérifié qu'il fonctionne correctement.
- Si des pièces sont manquantes ou endommagées, appeler le 1-866-539-1710.

## LISTE DE CONTRÔLE D'EXPÉDITION

Tournevis  
Bout réglable (bois)  
Bout réglable (cloison sèche)  
6-1/4 po embout Phillips  
Embout à tête carrée  
3/32 po clé hexagonale  
9/64 po clé hexagonale  
Coussinets pour bouts (3)  
Bloc de batterie  
Chargeur  
Sacoche  
Manuel d'utilisation

### AVERTISSEMENT :

Si des pièces manquent ou sont endommagées, ne pas utiliser cet outil avant qu'elles aient été remplacées. Le fait d'utiliser ce produit même s'il contient des pièces endommagées ou s'il lui manque des pièces peut entraîner des blessures graves.

---



# ASSEMBLAGE

## AVERTISSEMENT :

Ne pas essayer de modifier cet outil ou de créer des accessoires non recommandés pour l'outil. De telles altérations ou modifications sont considérées comme un usage abusif et peuvent créer des conditions dangereuses, risquant d'entraîner des blessures graves.

## AVERTISSEMENT :

Pour empêcher un démarrage accidentel pouvant entraîner des blessures graves, toujours retirer le bloc de batterie de l'outil avant d'assembler des pièces.

# UTILISATION

## AVERTISSEMENT :

Ne pas laisser la familiarité avec l'outil faire oublier la prudence. Ne pas oublier qu'une fraction de seconde d'inattention peut entraîner des blessures graves.

## AVERTISSEMENT :

Toujours porter une protection oculaire avec écrans latéraux certifiée conforme à la norme ANSI Z87.1. Si cette précaution n'est pas prise, des objets peuvent être projetés dans les yeux et causer des lésions graves.

## AVERTISSEMENT :

Ne pas utiliser d'outils ou accessoires non recommandés par le fabricant pour cet outil. L'utilisation de pièces et accessoires non recommandés peut entraîner des blessures graves.

## ATTENTION :

Pour réduire les risques de blessures, charger seulement les batteries au lithium-ion et au nickel cadmium de RIDGID à l'aide des chargeurs indiqués dans les règles de sécurité générales. Les autres types de batteries peuvent éclater et causer des blessures et des dommages.

## CARACTÉRISTIQUES RELATIVES À LA PROTECTION DES BATTERIES

Les batteries au lithium-ion 18 V de RIDGID possèdent des caractéristiques visant à protéger les cellules au lithium-ion et à maximiser la durée de vie de la batterie. Dans certaines conditions de fonctionnement, ces caractéristiques intégrées peuvent faire en sorte que la batterie et l'outil qu'elle alimente fonctionnent différemment des batteries nickel-cadmium.

Lors de certaines applications, les éléments électroniques de la batterie peuvent signaler à la batterie de s'arrêter, ce qui arrêtera l'outil. Pour réinitialiser la batterie et l'outil, relâcher la gâchette et reprendre le fonctionnement normal.

**NOTE :** Afin de prévenir tout autre arrêt de la batterie, éviter de forcer l'outil. Passer à une vitesse inférieure permet également d'éviter un arrêt.

Si le relâchement de la gâchette ne permet pas de réinitialiser la batterie et l'outil, le bloc-batteries est vide. Lorsque le bloc de batteries est vide, le charger en le plaçant sur un chargeur lithium-ion.

## INSTALLATION/ RETRAIT DU BLOC DE BATTERIES

*Voir la figure 2, page 13.*

### Installation du bloc de batteries :

- Verrouiller la gâchette en mettant le sélecteur de sens de rotation (avant / arrière / verrouillage central) en position centrale.
- Aligner la nervure du bloc de batteries sur la rainure intérieure de la clé à chocs.
- S'assurer que ses deux loquets latéraux s'engagent correctement et vérifier que le bloc est solidement assujéti avant d'utiliser l'outil.

## APPLICATIONS

Cet outil peut être utilisé pour les applications ci-dessous :

- Pour visser différents types de vis dans le bois et les cloisons sèches à l'aide d'embouts de tournevis

Ce produit est compatible avec les batteries 18 V au lithium-ion et au nickel cadmium de RIDGID.

Pour prendre connaissance des consignes de chargement, consulter le manuel d'utilisation des batteries et des chargeurs à la section des règles de sécurité générales.

# UTILISATION

---

## **AVERTISSEMENT :**

Toujours retirer la batterie de l'outil au moment d'assembler des pièces, d'effectuer des réglages et de procéder au nettoyage, ou lorsque l'outil n'est pas utilisé. Le fait de retirer la batterie permet d'empêcher un démarrage accidentel pouvant entraîner des blessures graves.

## **Retrait du bloc de batteries :**

- Verrouiller la gâchette en mettant le sélecteur de sens de rotation en position centrale.
- Appuyer sur les deux loquets se trouvant sur les côtés du bloc de batteries pour le séparer de l'outil. Le bloc de batteries est libéré, dans le sens dans lequel il doit être retiré.

## **AVERTISSEMENT :**

Les outils à batteries sont toujours en état de fonctionnement. Il est donc nécessaire de toujours verrouiller la gâchette lorsque l'outil n'est pas en usage et pendant son transport.

## **RÉGLAGE DU CROCHET DE CEINTURE**

*Voir la figure 3, page 13.*

Il est possible de fixer le crochet de ceinture d'un côté ou de

l'autre de l'outil.

- Presser les deux branches du crochet de ceinture vers l'intérieur afin de le retirer.
- Insérer les tiges du crochet dans les trous se trouvant de l'autre côté de l'outil et relâcher les branches.
- S'assurer que le crochet est fixé solidement sur l'outil avant de le suspendre à la ceinture.

## **MISE EN MARCHÉ ET À L'ARRÊT DU TOURNEVIS**

*Voir la figure 4, page 13.*

Pour mettre en MARCHÉ le tournevis, appuyer sur la gâchette. Pour le mettre à l'ARRÊT, relâcher la gâchette

## **SÉLECTEUR DE SENS DE ROTATION (AVANT / ARRIÈRE / VERROUILLAGE CENTRAL)**

*Voir la figure 4, page 13.*

Le sens de rotation est commandé par un sélecteur situé au-dessus de la gâchette. La clé à chocs étant tenue en position normale d'utilisation, le sélecteur de sens de rotation doit être tourné vers la gauche pour serrer. Le sens de rotation est inversé lorsque le sélecteur est tourné vers la droite.

**NOTE :** La tournevis ne peut fonctionner que si le sélecteur de sens de rotation est poussé à fond vers la droite ou la gauche.

## **ATTENTION :**

Pour éviter des dommages aux engrenages, toujours laisser le bout parvenir à l'arrêt complet avant de changer de sens de rotation.

## **INSTALLATION DES EMBOUTS**

*Voir la figure 5, page 13.*

- Retirer la batterie du tournevis.
- Retirer la bande de vis de l'outil si celui-ci a été chargé.
- Pointer le tournevis vers le haut et insérer l'embout dans le logement d'alimentation.
- Insérer l'embout dans le logement d'alimentation.
- Tout en appuyant sur le relâchement de l'embout, appuyer sur le bout avec la paume de l'autre main pour centrer l'embout.
- Monter et descendre le bout tout en secouant délicatement l'outil jusqu'à ce que l'embout s'insère en place.  
**NOTE :** L'embout ne devrait pas dépasser au dessus du logement d'alimentation.
- Relâcher le relâchement de l'embout une fois l'embout en place.
- S'assurer que l'embout est inséré correctement en pointant l'outil vers le bas et en le secouant.
- Si l'embout n'est pas fixé solidement, répéter les étapes d'installation.

## **RETRAIT DES EMBOUTS**

*Voir la figure 6, page 14.*

- Retirer la batterie du tournevis.
- Retirer la bande de vis de l'outil si celui-ci a été chargé.
- Pointer l'outil vers le bas.
- Tirer le relâchement de l'embout vers l'arrière et secouer l'outil.
- Relâcher le relâchement de l'embout lorsque l'embout est expulsé du logement d'alimentation.

## **RÉGLAGE DE LA LONGUEUR DE LA VIS**

*Voir la figure 7, page 14.*

Le bout ajustable de l'outil permet le vissage automatique des vis à des profondeurs pré-réglées.

### **Pour pré-régler la profondeur :**

- Retirer la batterie du tournevis.
- Retirer la vis d'arrimage du bout en la tournant dans le sens antihoraire à l'aide de la clé hexagonale de 9/64 po fournie.
- Glisser le bout dans la fente longeant le logement d'alimentation.
- Aligner les marques situées sur le bout réglable avec le rebord du logement d'alimentation de manière à fixer le bout pour la longueur de vis utilisée.
- Réinsérer et serrer la vis en la tournant dans le sens horaire à l'aide de la clé hexagonale de 9/64 po fournie.
- S'assurer que le bout est fixé solidement avant de faire fonctionner l'outil.

## **CHANGEMENT DU BOUT**

*Voir la figure 7, page 14.*

L'ensemble comprend deux bouts : l'un est conçu pour le bois et l'autre est conçu pour les cloisons sèches. Il est possible de retirer ou de changer le bout en suivant les

# UTILISATION

---

instructions décrites à la section intitulée « Réglage de la longueur de la vis ».

## CHARGEMENT DES VIS EN BANDE

*Voir les figures 8 - 9, page 14.*

Avant de charger le tournevis, s'assurer que le dessus des vis est appuyé sur le dessus de la bande, tel qu'illustré dans la figure 8.

### Pour charger la bande de vis :

- Retirer la batterie du tournevis.
- Régler le bout pour la longueur de vis utilisée. Suivre les instructions décrites à la section intitulée « Réglage de la longueur de la vis ».
- Détacher et faire pivoter le garde-vis afin qu'il n'encombre pas.
- Introduire la bande dans le guide de bande.
- Déplacer la bande de vis vers l'avant dans le logement d'alimentation jusqu'à ce que le deuxième trou soit bien aligné avec l'embout. Ainsi, les vis avanceront correctement lorsque le bout sera appuyé sur la surface de travail.
- Replacer le garde-vis.

### Pour retirer la bande vis :

- Retirer la batterie du tournevis.
- Extirper la bande de vis par le haut du logement d'alimentation.

## RÉGLAGE DE LA PROFONDEUR DE VISSAGE

*Voir la figure 10, page 14.*

La molette de réglage de la profondeur de vissage permet de régler correctement la fraisure.

Au début de chaque nouvelle application de vissage, effectuer plusieurs essais dans des matériaux de rebut et apporter les réglages nécessaires pour obtenir la fraisure adéquate.

Pour augmenter ou réduire la profondeur de vissage d'une vis, tourner dans la direction indiquée.

Le tournevis comprend un embrayage capteur de profondeur. Lorsque la vis est fraisée à la profondeur pré-réglée, il débraye automatiquement et produit un bruit de cliquetis. Ce son est normal et signale la fin du vissage.

## VISSAGE

*Voir la figure 11, page 14.*

- Vérifier le bout réglable afin de l'ajuster pour la longueur de vis utilisée.
- Vérifier le sélecteur de sens de rotation (avant ou arrière) pour le régler correctement.
- Immobiliser la pièce à travailler. Utiliser des serre joints, au besoin.
- Installer la batterie dans le tournevis.
- Tenir fermement le tournevis. Pour obtenir de meilleurs résultats, maintenir l'outil à un angle de 90° par rapport à la surface de travail.
- Appuyer sur la gâchette pour mettre en marche le tournevis.
- Appuyer le bout contre la surface de travail en maintenant une force suffisante. Ne pas retirer l'outil de la surface de travail tant qu'il n'a pas débrayé et que l'embout n'a pas cessé de tourner, ce qui indique que la vis est vissée complètement.
- Vérifier la profondeur de vissage afin d'obtenir la fraisure appropriée. Ajuster au besoin.
- Continuer d'appuyer sur la gâchette pour que la vis suivante s'avance automatiquement en place lorsque l'outil est appuyé contre la surface de travail.

# ENTRETIEN

---

## **AVERTISSEMENT :**

Utiliser exclusivement des pièces RIDGID® d'origine pour les réparations. L'usage de toute autre pièce pourrait créer une situation dangereuse ou endommager l'outil.

---

## **AVERTISSEMENT :**

Toujours porter une protection oculaire avec écrans latéraux certifiée conforme à la norme ANSI Z87.1. Si cette précaution n'est pas prise, des objets peuvent être projetés dans les yeux et causer des lésions graves.

---

## **AVERTISSEMENT :**

Pour empêcher un démarrage accidentel pouvant entraîner des blessures graves, toujours retirer le bloc de batterie de l'outil avant tout nettoyage ou entretien.

---

## **ENTRETIEN GÉNÉRAL**

Éviter d'utiliser des solvants pour le nettoyage des pièces en plastique. La plupart des matières plastiques peuvent être endommagées par divers types de solvants du commerce. Utiliser un chiffon propre pour éliminer la saleté, la poussière, l'huile, la graisse, etc.

---

## **AVERTISSEMENT :**

Ne jamais laisser de liquides tels que le fluide de freins, l'essence, les produits à base de pétrole, les huiles pénétrantes, etc., entrer en contact avec les pièces en plastique. Les produits chimiques peuvent endommager, affaiblir ou détruire le plastique, ce qui peut entraîner des blessures graves.

---

# ACCESSOIRES

---

Pour obtenir ces accessoires, s'adresser au revendeur après duquel vous avez acheté ce produit.

- Embout phillip.....AC96601
  - Embout carrée.....AC96602
- 

## **AVERTISSEMENT :**

Les outils et accessoires disponibles actuellement pour cet outil sont listés ci-dessus. Ne pas utiliser d'outils ou accessoires non recommandés pour cet outil. L'utilisation de pièces et accessoires non recommandés peut entraîner des blessures graves.

---

Seules les pièces figurant sur la liste de contrôle sont conçues pour être réparées ou remplacées par l'utilisateur. Toutes les autres pièces doivent être remplacées dans un centre de réparations RIDGID agréé.

## **REMPACEMENT DU COUSSINET POUR BOUT**

Le coussinet situé à l'extrémité d'un bout conçu pour le bois s'use si l'utilisateur s'en sert de façon continue. Pour remplacer le coussinet :

Retirer la batterie de l'outil. Retirer le coussinet existant et nettoyer le bout afin d'enlever tous les résidus. Retirer la pellicule protectrice adhésive se trouvant sur le nouveau coussinet et appuyer fermement ce dernier sur le bout afin de le fixer solidement.

## **RETRAIT ET PRÉPARATION DU BLOC DE BATTERIES POUR LE RECYCLAGE**

---

## **AVERTISSEMENT :**

Après avoir retiré le bloc de batteries, couvrir ses bornes avec un ruban adhésif de qualité industrielle. Ne pas essayer de démonter ou détruire le bloc de batteries, ni de retirer des composants quels qu'ils soient. Les piles de lithium-ion et nickel-cadmium doivent être recyclées ou doivent être liquidé convenablement. Ne jamais toucher les deux bornes avec des objets en métal ou une partie du corps, car cela pourrait créer un court-circuit. Garder hors de la portée des enfants. Le non-respect de ces mises en garde peut résulter en un incendie et/ou des blessures graves.

---

# DÉPANNAGE

PROBLÈME	CAUSE POSSIBLE	SOLUTION
Le moteur démarre lentement ou ne parvient pas à atteindre sa vitesse maximale	La gâchette de démarrage ne fonctionne pas La batterie n'est pas chargée	Haga reemplazar el interruptor  Charger la batterie conformément aux instructions fournis avec ce modèle
L'outil n'arrive pas à enfoncer les vis dans le matériau	L'embout est usé Le moteur est surchargé	Remplacer l'embout Consulter la section des applications pour vérifier les utilisations appropriées
L'outil ne complète pas le vissage	La profondeur de vissage est mal réglée L'embout est encrassé ou usé	Ajuster la profondeur de vissage Nettoyer ou remplacer
Les vis n'avancent pas	La longueur des vis n'est pas réglée correctement	Apporter les ajustements nécessaires en consultant la section intitulée « Réglage de la longueur des pièces de fixation »
Les vis tombent de l'outil pendant l'application	La longueur des vis n'est pas réglée correctement  La piste d'embouts est endommagée ou usée	Apporter les ajustements nécessaires en consultant la section intitulée « Réglage de la longueur des pièces de fixation »  Remplacer l'ensemble glissière
L'embout ne peut être installé correctement	L'embout n'est pas appuyé correctement dans le logement pour embouts	Consulter la section intitulée « Installation des embouts »
L'embout glisse de la vis ou rebondit sur celle-ci La vis s'enfonce avec un angle	L'outil est poussé vers l'avant pendant le vissage L'outil est mal aligné La piste d'embouts est endommagée ou usée	Tenir fermement l'outil pendant l'application Retourner le produit au centre de réparations agréé Remplacer l'ensemble glissière
Les vis se coincent	La longueur des vis n'est pas réglée correctement  Le bout est desserré  La piste d'embouts est endommagée ou usée  L'embout est endommagé ou usé  Le bout est plié ou endommagé	Apporter les ajustements nécessaires en consultant la section intitulée « Réglage de la longueur des pièces de fixation »  Serrer le bout  Remplacer l'ensemble glissière  Remplacer l'embout  Remplacer le bout
Le mécanisme de glissement se bloque ou « revient » lentement	Des débris se sont accumulés dans le mécanisme Le ressort de rappel n'est pas suffisamment puissant	Nettoyer le mécanisme de retour  Remplacer le ressort
Le moteur surchauffe	Le moteur est surchargé	Consulter la section des applications pour vérifier les utilisations appropriées
Il est de plus en plus difficile d'employer l'outil avec force	L'ensemble glissière est usé	Remplacer l'ensemble glissière

# GARANTIE

---

## GARANTIE D'ENTRETIEN DE 3 ANS SUR LES OUTILS ÉLECTRIQUES À MAIN ET D'ÉTABLI RIDGID®

Une preuve d'achat doit être présentée pour toute demande de réparation sous garantie.

Cette garantie se limite aux outils électriques à main et d'établi RIDGID® achetés à partir du 1/2/04. Ce produit est fabriqué par One World Technologies, Inc., sous licence de marque de RIDGID, Inc. Toutes les correspondances relatives à la garantie doivent être adressées à One World Technologies, Inc. à l'intention de : Service technique des outils motorisés à main et d'établi RIDGID, au 1-866-539-1710 (appel gratuit).

### POLITIQUE DE SATISFACTION ASSURÉE DE 90 JOURS

En cas de non satisfaction pour quelque raison que ce soit au cours des 90 jours suivant la date d'achat de cet outil à main ou d'établi RIDGID®, il pourra être retourné au point de vente pour échange ou remboursement intégral. Pour obtenir un outil en échange, l'équipement original devra être retourné, dans son emballage d'origine, accompagné d'une preuve d'achat. L'outil fourni en échange sera couvert par la garantie limitée pour le restant de la période de validité de 3 ANS.

### CE QUI EST COUVERT PAR LA GARANTIE LIMITÉE DE 3 ANS

Cette garantie sur les outils électriques à main et d'établi RIDGID® couvre tous les vices de matériaux et de fabrication, ainsi que les articles de consommation courants, tels que balais, mandrins, moteurs, commutateurs, cordons, engrenages et même les batteries d'outils sans fil de cet outil RIDGID®, pour une période de trois ans, à compter de la date d'achat. Les garanties d'autres produits RIDGID® peuvent être différentes.

### RÉPARATIONS SOUS GARANTIE

Pour toute réparation sous garantie, cet outil RIDGID® devra être retourné, en port payé, à un centre de réparations RIDGID® pour outils motorisés à main et d'établi agréé. L'adresse du centre de réparations agréé le plus proche peut être obtenue en appelant le 1-866-539-1710 (appel gratuit), ou en accédant au site Internet RIDGID®, [www.ridgid.com](http://www.ridgid.com). Le reçu de vente daté doit être présenté lors de toute demande de réparation sous garantie. Le centre de réparations agréé corrigera tout défaut de fabrication et réparera ou remplacera (à notre choix) gratuitement, toute pièce défectueuse.

### CE QUI N'EST PAS COUVERT

La garantie ne couvre que l'acheteur au détail original et n'est pas transférable. Cette ne couvre pas les problèmes de fonctionnement, défaillances ou autres défauts résultant d'un usage incorrect ou abusif, de la négligence, de la modification, de l'altération ou de réparations effectuées par quiconque autre qu'un centre de réparations d'outils motorisés à main et d'établi RIDGID® agréé. Les articles de consommation fournis avec cet outil, tels que, mais sans y être limité, les lames, embouts et abrasifs, ne sont pas couverts.

**RIDGID, INC ET ONE WORLD TECHNOLOGIES, INC. NE FAIT AUCUNE AUTRE GARANTIE, REPRÉSENTATION OU PROMESSE CONCERNANT LA QUALITÉ ET LES PERFORMANCES DE CET OUTIL ÉLECTRIQUE, AUTRES QUE CELLES EXPRESSÉMENT INDIQUÉES DANS LE PRÉSENT DOCUMENT.**

### AUTRES LIMITATIONS

Sous réserve que les lois en vigueur le permettent, toutes les garanties implicites sont exclues, y compris les GARANTIES DE VALEUR MARCHANDE ou D'ADÉQUATION À UN USAGE PARTICULIER. Toutes les garanties implicites, y compris les garanties de valeur marchande ou d'adéquation à un usage particulier ne pouvant pas être exclues en raison des lois en vigueur, sont limitées à une durée de trois ans, à compter de la date d'achat. One World Technologies, Inc. et RIDGID, Inc. déclinent toute responsabilités pour les dommages directs ou indirects. Certains états et provinces ne permettant pas de limitation sur la durée des garanties implicites, et / ou l'exclusion ou la limitation des dommages directs ou indirects, les restrictions ci-dessus peuvent ne pas être applicables. Cette garantie donne au consommateur des droits spécifiques, et celui-ci peut bénéficier d'autres droits, qui varient selon les états ou provinces.

---

**One World Technologies, Inc.**

P.O. Box 35, Hwy. 8

Pickens, SC 29671, États-Unis

---

**FIGURES (ILLUSTRATIONS) COMMENÇANT SUR  
13 DE PAGE APRÈS LA SECTION ESPAGNOL.**

# REGLAS DE SEGURIDAD GENERALES

**⚠ ADVERTENCIA - Lea todas las instrucciones.** El incumplimiento de las instrucciones señaladas abajo puede causar descargas eléctricas, incendios y lesiones serias. El término “herramienta eléctrica” empleado en todos los avisos de advertencia enumerados abajo se refiere a las herramientas eléctricas de cordón (alámbricas) y de baterías (inalámbricas).

## GUARDE ESTAS INSTRUCCIONES SEGURIDAD EN EL ÁREA DE TRABAJO

- **Mantenga limpia y bien iluminada el área de trabajo.** Un área de trabajo mal despejada o mal iluminada propicia accidentes.
- **No utilice herramientas motorizadas en atmósferas explosivas, como las existentes alrededor de líquidos, gases y polvos inflamables.** Las herramientas eléctricas generan chispas que pueden encender el polvo y los vapores inflamables.
- **Mantenga alejados a los niños y circunstantes al maniobrar una herramienta eléctrica.** Toda distracción puede causar pérdida del control de la herramienta.

## SEGURIDAD ELÉCTRICA

- **Las clavijas de las herramientas eléctricas deben corresponder a las tomas de corriente donde se conectan. Nunca modifique la clavija de ninguna forma. No utilice ninguna clavija adaptadora con herramientas eléctricas dotadas de contacto a tierra.** Conectando las clavijas originales en las tomas de corriente donde corresponden se disminuye el riesgo de una descarga eléctrica.
- **Evite el contacto del cuerpo con las superficies de objetos que estén haciendo tierra o estén conectados a ésta, como tuberías, radiadores, estufas y refrigeradores.** Existe un mayor riesgo de descargas eléctricas si el cuerpo está haciendo tierra.
- **No exponga las herramientas eléctricas a la lluvia ni a condiciones de humedad.** La introducción de agua en una herramienta eléctrica aumenta el riesgo de descargas eléctricas.
- **No maltrate el cordón eléctrico. Nunca utilice el cordón para trasladar, desconectar o tirar de la herramienta eléctrica. Mantenga el cordón alejado del calor, del aceite, de bordes afilados y de piezas móviles.** Los cordones eléctricos dañados o enredados aumentan el riesgo de descargas eléctricas.
- **Al utilizar una herramienta eléctrica a la intemperie, use un cordón de extensión apropiado para el exterior.** Usando un cordón adecuado para el exterior se disminuye el riesgo de descargas eléctricas.
- **Cargue solamente con el cargador indicado.**

MODELO	PAQUETE DE BATERÍAS (Li-ion)	CARGADOR
R8660	18 V R84008 R840084	R840091 (140276006) 140276010
	PAQUETE DE BATERÍAS (Ni-Cd)	
	130254003, 130254007, 130252004	140276003 140276004

## SEGURIDAD PERSONAL

- **Permanezca alerta, preste atención a lo que esté haciendo y aplique el sentido común al utilizar herramientas eléctricas. No utilice la herramienta eléctrica si está cansado o se encuentra bajo los efectos de alguna droga, alcohol o medicamento.** Un momento de inatención al utilizar una herramienta eléctrica puede causar lesiones corporales serias.
- **Use equipo de seguridad. Siempre póngase protección ocular.** El uso de equipo de seguridad como mascarilla para el polvo, calzado de seguridad, casco y protección para los oídos

en las circunstancias donde corresponda disminuye el riesgo de lesiones.

- **Evite un arranque accidental de la unidad. Asegúrese de que el interruptor esté en la posición de apagado antes de conectar la herramienta.** Portar las herramientas eléctricas con el dedo en el interruptor, o conectarlas con el interruptor puesto, propicia accidentes.
- **Retire toda llave o herramienta de ajuste antes de encender la herramienta eléctrica.** Toda llave o herramienta de ajuste dejada en una pieza giratoria de la herramienta eléctrica puede causar lesiones.
- **No estire el cuerpo para alcanzar mayor distancia. Mantenga una postura firme y buen equilibrio en todo momento.** De esta manera se logra un mejor control de la herramienta eléctrica en situaciones inesperadas.
- **Vístase adecuadamente. No vista ropas holgadas ni joyas. Mantenga el cabello, la ropa y los guantes alejados de las piezas móviles.** Las ropas holgadas, las joyas y el cabello largo pueden engancharse en las piezas móviles.
- **Si se suministran dispositivos para conectar mangueras de extracción y captación de polvo, asegúrese de que éstas estén bien conectadas y se usen correctamente.** La utilización de estos dispositivos puede disminuir los peligros relacionados con el polvo.
- **No vista ropas holgadas ni joyas. Recójase el cabello si está largo.** Las ropas holgadas y las joyas, así como el cabello largo, pueden resultar atraídas hacia el interior de las aberturas de ventilación.
- **No utilice la unidad al estar en una escalera o en un soporte inestable.** Una postura estable sobre una superficie sólida permite un mejor control de la herramienta eléctrica en situaciones inesperadas.

## EMPLEO Y CUIDADO DE LA HERRAMIENTA ELÉCTRICA

- **No fuerce la herramienta eléctrica. Utilice la herramienta eléctrica adecuada para cada trabajo.** La herramienta eléctrica adecuada efectúa mejor y de manera más segura el trabajo, si además se maneja a la velocidad para la que está diseñada.
- **No utilice la herramienta si el interruptor no enciende o no apaga.** Cualquier herramienta eléctrica que no pueda controlarse con el interruptor es peligrosa y debe repararse.
- **Desconecte la clavija del suministro de corriente o retire el paquete de baterías de la herramienta eléctrica, según sea el caso, antes de efectuarle cualquier ajuste, cambiarle accesorios o guardarla.** Tales medidas preventivas de seguridad reducen el riesgo de poner en marcha accidentalmente la herramienta.
- **Guarde las herramientas eléctricas desocupadas fuera del alcance de los niños y no permita que las utilicen personas no familiarizadas con las mismas o con estas instrucciones.** Las herramientas eléctricas son peligrosas en manos de personas no capacitadas en el uso de las mismas.
- **Preste servicio a las herramientas eléctricas. Revise para ver si hay desalineación o atoramiento de piezas móviles, ruptura de piezas o cualquier otra condición que pueda afectar el funcionamiento de la herramienta. Si está dañada la herramienta eléctrica, permita que la reparen antes de usarla.** Numerosos accidentes son causados por herramientas eléctricas mal cuidadas.
- **Mantenga las herramientas de corte afiladas y limpias.** Las herramientas de corte bien cuidadas y con bordes bien afilados, tienen menos probabilidad de atascarse en la pieza de trabajo y son más fáciles de controlar.
- **Utilice la herramienta eléctrica, los accesorios y brocas, hojas y cuchillas de corte, ruedas de esmeril, etc. de conformidad con estas instrucciones, y de la forma apropiada para cada una de dichas herramientas, tomando en cuenta las condiciones de trabajo y la tarea por realizar.**

# REGLAS DE SEGURIDAD GENERALES

Si se utiliza la herramienta eléctrica para operaciones diferentes de las indicadas podría originar una situación peligrosa.

## EMPLEO Y CUIDADO DE LA HERRAMIENTA DE BATERÍAS

- **Asegúrese de que el interruptor esté en la posición de apagado antes de introducir el paquete de baterías.** Introducir el paquete de baterías en una herramienta eléctrica que tenga el interruptor en encendido propicia accidentes.
- **Sólo cargue el paquete de baterías con el cargador especificado por el fabricante.** Un cargador adecuado para un tipo paquete de baterías puede significar un riesgo de incendio si se emplea con un paquete de baterías diferente.
- **Utilice las herramientas eléctricas sólo con los paquetes de baterías específicamente indicados.** El empleo de paquetes de baterías diferentes puede presentar un riesgo de incendio.
- **Cuando no esté utilizándose el paquete de baterías, manténgalo lejos de otros objetos metálicos como clips, monedas, llaves, clavos, tornillos y otros objetos metálicos pequeños que puedan establecer conexión entre ambas terminales.** Establecer una conexión directa entre las dos terminales de las baterías puede causar quemaduras o incendios.

- **Si se maltratan las baterías, puede derramarse líquido de las mismas; evite todo contacto con éste. En caso de contacto, lávese con agua. Si el líquido llega a tocar los ojos, además busque atención médica.** El líquido de las baterías puede causar irritación y quemaduras.

## SERVICIO

- **Permita que un técnico de reparación calificado preste servicio a la herramienta eléctrica, y sólo con piezas de repuesto idénticas.** De esta manera se mantiene la seguridad de la herramienta eléctrica.



### ADVERTENCIA:

Para reducir el riesgo de lesiones, el usuario debe leer el manual de instrucciones.

- **Al dar servicio a una herramienta eléctrica, sólo utilice piezas de repuesto idénticas. Siga las instrucciones señaladas en la sección Mantenimiento de este manual.** El empleo de piezas no autorizadas o el incumplimiento de las instrucciones de mantenimiento puede significar un riesgo de descarga eléctrica o de lesiones.

# REGLAS DE SEGURIDAD ESPECÍFICAS

- **Sujete las herramientas eléctricas por las superficies aisladas de sujeción al efectuar una operación en la cual la herramienta de corte pueda entrar en contacto con cables ocultos o con su propio cordón eléctrico.** Todo contacto de una herramienta con un cable cargado carga las piezas metálicas expuestas de la herramienta y da una descarga eléctrica al operador.
- **Familiarícese con su herramienta eléctrica. Lea cuidadosamente el manual del operador. Aprenda sus usos y limitaciones, así como los posibles peligros específicos de esta herramienta eléctrica.** Con el cumplimiento de esta regla se reduce el riesgo de una descarga eléctrica, incendio o lesión seria.
- **Siempre póngase protección ocular con protección lateral con la marca de cumplimiento de la norma ANSI Z87.1.** Con el cumplimiento de esta regla se reduce el riesgo de lesiones corporales serias.
- **Protéjase los pulmones. Use una careta o mascarilla contra el polvo si la operación genera mucho polvo.** Con el cumplimiento de esta regla se reduce el riesgo de lesiones serias.
- **Protéjase los oídos. Durante periodos prolongados de utilización del producto, póngase protección para los oídos.** Con el cumplimiento de esta regla se reduce el riesgo de lesiones corporales serias.
- **No se necesita conectar a una toma de corriente las herramientas de baterías; por lo tanto, siempre están en condiciones de funcionamiento. Esté consciente de los posibles peligros cuando no esté usando la herramienta de baterías o cuando esté cambiando los accesorios de la misma.** Con el cumplimiento de esta regla se reduce el riesgo de una descarga eléctrica, incendio o lesión corporal seria.
- **No coloque herramientas de baterías ni las baterías mismas cerca del fuego o del calor.** De esta manera se reduce el riesgo de explosiones y de lesiones.

- **No aplaste, deje caer o dañe de baterías. Nunca utilice una batería o cargador que se ha caído, aplastado, recibido un golpe contundente o ha sido dañado(a) de alguna manera.** Las baterías dañadas pueden sufrir explosiones. Deseche de inmediato toda batería que haya sufrido una caída o cualquier daño.
- **Las baterías pueden explotar en presencia de fuentes de inflamación, como los pilotos de gas.** Para reducir el riesgo de lesiones serias, nunca use un producto inalámbrico en presencia de llamas expuestas. La explosión de una batería puede lanzar fragmentos y compuestos químicos. Si ha quedado expuesto a la explosión de una batería, lávese de inmediato con agua.
- **No cargue herramientas de baterías en lugares mojados o húmedos.** Con el cumplimiento de esta regla se reduce el riesgo de una descarga eléctrica.
- **Para obtener resultados óptimos, debe cargar la herramienta de baterías en un lugar donde la temperatura esté entre 10 y 38 °C (entre 50 y 100 °F). No guarde la herramienta a la intemperie ni en el interior de vehículos.**
- **En condiciones extremas de uso o temperatura las baterías pueden emanar líquido. Si el líquido llega a tocarle la piel, lávese de inmediato con agua y jabón, y después neutralice los efectos con jugo de limón o vinagre. Si le entra líquido en los ojos, láveselos con agua limpia por lo menos 10 minutos, y después busque de inmediato atención médica.** Con el cumplimiento de esta regla se reduce el riesgo de lesiones corporales serias.
- **Guarde estas instrucciones.** Consúltelas con frecuencia y empléelas para instruir a otras personas que puedan utilizar esta herramienta. Si presta a alguien esta herramienta, facilítele también las instrucciones.



### ADVERTENCIA:

Algunos polvos generados al efectuarse operaciones de lijado, aserrado, esmerilado, taladrado y de otros tipos en la construcción, contienen sustancias químicas sabidas causantes de cáncer, defectos congénitos y otras afecciones del aparato reproductor. Algunos ejemplos de estas sustancias químicas son:




- plomo de las pinturas a base de plomo,
- silicio cristalino de los ladrillos, del cemento y de otros productos de albañilería, y
- arsénico y cromo de la madera químicamente tratada.

El riesgo de la exposición a estos compuestos varía, según la frecuencia con que se realice este tipo de trabajo. Para reducir la exposición personal a este tipo de compuestos: trabaje en áreas bien ventiladas, y con equipo de seguridad aprobado, tal como las caretas para el polvo especialmente diseñadas para filtrar partículas microscópicas.









# SÍMBOLOS

Las siguientes palabras de señalización y sus significados tienen el objeto de explicar los niveles de riesgo relacionados con este producto.

SÍMBOLO	SEÑAL	SIGNIFICADO
	<b>PELIGRO:</b>	Indica una situación peligrosa inminente, la cual, si no se evita, causará la muerte o lesiones serias.
	<b>ADVERTENCIA:</b>	Indica una situación peligrosa posible, la cual, si no se evita, podría causar la muerte o lesiones serias.
	<b>PRECAUCIÓN:</b>	Indica una situación peligrosa posible, la cual, si no se evita, podría causar lesiones menores o leves.
	<b>PRECAUCIÓN:</b>	(Sin el símbolo de alerta de seguridad) Indica una situación que puede producir daños materiales.

Es posible que se empleen en este producto algunos de los siguientes símbolos. Le suplicamos estudiarlos y aprender su significado. Una correcta interpretación de estos símbolos le permitirá utilizar mejor y de manera más segura el producto.

SÍMBOLO	NOMBRE	DENOMINACIÓN/EXPLICACIÓN
	Alerta de seguridad	Indica un peligro posible de lesiones personales.
	Lea manual del operador	Para reducir el riesgo de lesiones, el usuario debe leer y comprender el manual del operador antes de usar este producto.
	Protección ocular	Siempre póngase protección ocular con protección lateral con la marca de cumplimiento de la norma ANSI Z87.1.
	Alerta de condiciones húmedas	No exponga la unidad a la lluvia ni la use en lugares húmedos.
	Símbolo de reciclado	Este producto contiene baterías de níquel-cadmio (Ni-Cd) o iones de litio (Li-ion). Es posible que algunas leyes municipales, estatales o federales prohíban desechar las baterías de níquel-cadmio en la basura normal. Consulte a las autoridades reguladoras de desechos para obtener información en relación con las alternativas de reciclado y desecho disponibles.
V	Volts	Voltaje
A	Amperes	Corriente
Hz	Hertz	Frecuencia (ciclos por segundo)
W	Watts	Potencia
min	Minutos	Tiempo
~	Corriente alterna	Tipo de corriente
==	Corriente continua	Tipo o característica de corriente
n <sub>o</sub>	Velocidad en vacío	Velocidad de rotación, en vacío
	Herramienta Clase II	Fabricación con doble aislamiento
.../min	Por minuto	Revoluciones, carreras, velocidad superficial, órbitas, etc., por minuto

# CARACTERÍSTICAS

---

## ESPECIFICACIONES DEL PRODUCTO

Motor ..... 18 V, corr. cont.  
Interruptor.....Una velocidad/Reversible

Velocidad en vacío ..... 3 500 r/min. (RPM)  
Longitud de los tornillos  
..... de 25,4 mm (1 pulg.) a 76,2 mm (3 pulg.)

---

## FAMILIARÍCESE CON EL DESTORNILLADOR PARA TORNILLOS EN TIRAS

Vea la figura 1, página 13.

Para usar este producto con la debida seguridad se debe comprender la información indicada en la herramienta misma y en este manual, y se debe comprender también el trabajo que intenta realizar. Antes de usar este producto, familiarícese con todas las características de funcionamiento y normas de seguridad del mismo.

## PUNTAS AJUSTABLES

Su destornillador tiene una punta ajustable para modificar la profundidad de los tornillos y facilitar los cambios de las puntas. Se incluyen dos puntas, una para madera y otra para paneles de yeso.

## CLIP PARA EL CINTO

El útil clip para el cinto se puede utilizar a ambos lados de la herramienta.

## LIBERACIÓN DE LAS PUNTAS

La liberación de las puntas facilita el cambio de éstas sin usar herramientas.

## AJUSTE DE LA PROFUNDIDAD DE INTRODUCCIÓN

La profundidad de introducción puede ajustarse para diferentes aplicaciones y piezas de trabajo de diversos espesores.

## SELECTOR DE SENTIDO DE ROTACIÓN

### (MARCHA ADELANTE, ATRÁS, SEGURO EN EL CENTRO)

Le tournevis está provisto de un selector de sentido de giro (marcha adelante, atrás, seguro en el centro), situado arriba del gatillo del interruptor, que permite cambiar la dirección en que gira la broca.

---

# ARMADO

---

## DESEMPAQUETADO

Embarcamos este producto completamente armado.

- Extraiga cuidadosamente de la caja la herramienta y los accesorios. Asegúrese de que estén presentes todos los artículos enumerados en la lista de empaquetado.

### ADVERTENCIA:

Ne pas utiliser le produit s'il n'est pas complètement assemblé ou si des pièces semblent manquantes ou endommagées. Le fait d'utiliser un produit assemblé de façon inadéquate ou incomplète peut entraîner des blessures graves.

- Inspeccione cuidadosamente la herramienta para asegurarse de que no haya sufrido ninguna rotura o daño durante el transporte.
- No deseche el material de empaquetado sin haber inspeccionado cuidadosamente la herramienta y haberla utilizado satisfactoriamente.
- Si hay piezas dañadas o faltantes, le suplicamos llamar al 1-866-539-1710, donde le brindaremos asistencia.

## LISTA DE EMPAQUETADO

Destornillador  
Punta ajustable (madera)  
Punta ajustable (paneles de yeso)  
Punta tipo Phillips de 6-1/4 pulg.  
Punta de cabeza cuadrada  
Llave hexagonal de 9/64 pulg.  
Llave hexagonal de 9/64 pulg.  
Almohadillas para puntas (3)  
Paquete de baterías  
Cargador  
Bolsa de herramientas  
Manual del operador

---

### ADVERTENCIA:

Si hay piezas dañadas o faltantes, no utilice esta herramienta sin haber reemplazado las piezas dañadas o faltantes. Usar este producto con partes dañadas o faltantes puede causar lesiones serias al operador.

---

# ARMADO

---

## ADVERTENCIA:

No intente modificar esta herramienta ni hacer accesorios no recomendados para la misma. Cualquier alteración o modificación constituye maltrato el cual puede causar una condición peligrosa, y como consecuencia posibles lesiones corporales serias.

---

## ADVERTENCIA:

Para evitar un arranque accidental que podría causar lesiones corporales serias, siempre desmonte de la herramienta el paquete de baterías al montarle piezas a aquélla.

---

# FUNCIONAMIENTO

---

## ADVERTENCIA:

No permita que su familiarización con la herramienta lo vuelva descuidado. Tenga presente que un descuido de un instante es suficiente para causar una lesión seria.

---

## ADVERTENCIA:

Siempre póngase protección ocular con protección lateral con la marca de cumplimiento de la norma ANSI Z87.1. Si no cumple esta advertencia, los objetos que salen despedidos pueden producirle lesiones serias en los ojos.

---

## ADVERTENCIA:

No utilice ningún aditamento o accesorio no recomendado por el fabricante de esta herramienta. El empleo de aditamentos o accesorios no recomendados podría causar lesiones serias.

---

## APLICACIONES

Esta herramienta puede emplearse para los fines enumerados abajo:

- Introducción de varios tornillos en madera y paneles de yeso con las puntas de destornillador.

Este producto acepta los paquetes de baterías RIDGID de iones de litio de 18 V y los paquetes de baterías RIDGID de níquel-cadmio de 18 V.

Para ver las instrucciones de carga completas, consulte el manual del operador de los paquetes de baterías y cargadores enumerados en las Reglas de seguridad generales.

---

## PRECAUCIÓN:

Para reducir el riesgo de lesiones, sólo cargue baterías RIDGID de iones de litio y baterías RIDGID de níquel-cadmio en los cargadores enumerados en las Reglas de seguridad generales. Otros tipos de baterías pueden estallar y causar lesiones corporales así como daños materiales.

---

## CARACTERÍSTICAS DE PROTECCIÓN DE LAS BATERÍAS

Las baterías de iones de litio de RIDGID de 18 V están diseñadas con características que protegen las celdas de iones de litio y maximizan la duración de las baterías. En ciertas condiciones de funcionamiento, estas características integradas pueden hacer que la batería y la herramienta que está encendiendo actúen de manera diferente a la mayoría de las baterías níquel-cadmio.

Durante algunas aplicaciones, el sistema electrónico de la batería puede indicar a la batería que se apague y hacer que la herramienta deje de funcionar. Para reajustar la batería y la herramienta, suelte el gatillo y reanude el funcionamiento normal.

**NOTA:** Para evitar que la batería se vuelva a apagar, evite forzar la herramienta.

Si al soltar el gatillo no se reajustan la batería y la herramienta, el paquete de baterías está agotado. Si está agotado, el paquete de baterías comenzará a cargarse cuando se coloque en el cargador de iones de litio.

## PARA INSTALAR/DESMONTAR EL PAQUETE DE BATERÍAS

*Vea la figura 2, página 13.*

### Para instalar el paquete de baterías:

- Asegure el gatillo del interruptor; para ello, coloque el selector de sentido de rotación (adelante-atrás-seguro en el centro) en la posición central.
  - Alinee la costilla realizada del paquete de baterías con la ranura situada en el interior del destornillador.
  - Asegúrese de que los pestillos situados en ambos lados del paquete de baterías entren completamente en su lugar con un chasquido, y de que el paquete quede bien fijo antes de empezar a utilizar éste.
- 

## ADVERTENCIA:

Retire siempre el paquete de baterías de la herramienta antes de instalar las piezas, realizar ajustes, limpiarla o cuando no la utilice. Retirar el paquete de baterías evitará que la unidad se accione accidentalmente y provoque lesiones graves.

---

# FUNCIONAMIENTO

## Desmontar el paquete de baterías:

- Asegure el gatillo del interruptor del destornillador; para ello, coloque el selector de sentido de rotación en la posición central.
- Oprima los pestillos situados en ambos lados del paquete de baterías para soltar éste del destornillador.
- Al oprimirse los botones, el paquete de baterías se desconecta en la dirección de remoción del mismo



## ADVERTENCIA:

Las herramientas de baterías siempre están en condiciones de funcionamiento. Por lo tanto, siempre debe estar asegurado el interruptor cuando no esté usándose o el operador lo lleve por un lado.

## AJUSTE DEL CLIP PARA EL CINTO

Vea la figura 3, página 13.

El clip para el cinto puede ajustarse a ambos lados de la herramienta.

- Para extraer el clip, presione a ambos lados de éste.
- Introduzca los extremos del clip en los agujeros ubicados a ambos lados y suéltelos.
- Asegúrese de que el clip se ajuste correctamente a la herramienta antes de colgarla de un cinto.

## ENCENDIDO Y APAGADO DEL DESTORNILLADOR

Vea la figura 4, pge 13.

Para **ENCENDER** el destornillador, presione el gatillo del interruptor. Suelte este gatillo para **APAGAR** el destornillador.

## SELECTOR DE SENTIDO DE ROTACIÓN

(MARCHA ADELANTE / ATRÁS / SEGURO EN EL CENTRO)

Vea la figura 4, página 13.

El sentido de rotación de la broca es invertible y se controla con un selector, el cual está situado arriba del gatillo del interruptor. Con el destornillador sostenido en la posición normal de trabajo, el selector de sentido de rotación debe estar a la izquierda del gatillo del interruptor para el introducción de tornillos. El sentido de rotación está invertido cuando el selector se encuentra a la derecha del gatillo del interruptor.

**NOTA:** El destornillador no funciona a menos que se empuje el selector de dirección de giro completamente a la izquierda o derecha.

## PRECAUCIÓN:

Para evitar dañar el engranaje, antes de cambiar el sentido de rotación siempre permita que se detenga completamente el portabrocas.

## INSTALACIÓN DE LAS PUNTAS

Vea la figura 5, página 13.

- Retire el paquete de baterías del destornillador.

- Retire la tira de tornillos de la herramienta si ésta se colocó previamente.
  - Mantenga el destornillador en posición vertical y desplace el liberación de la punta hacia la parte trasera de la herramienta.
  - Coloque la punta en el compartimiento de alimentación.
  - Mientras sujeta el liberación de la punta, oprima la punta con la palma de la otra mano para centrar la punta.
  - Mueva la punta hacia arriba y hacia abajo alternadamente a medida que sacude con cuidado la herramienta hasta colocar correctamente la punta.
- NOTA:** La punta no debe sobresalir del compartimiento de alimentación.
- Suelte el botón cuando coloque la punta correctamente.
  - Asegúrese de que la punta esté asegurada colocando la herramienta hacia abajo y moviéndola.
  - Si la punta no queda firme, repita los pasos para la instalación.

## EXTRACCIÓN DE LAS PUNTAS

Vea la figura 6, página 14.

- Retire el paquete de baterías del destornillador.
- Retire la tira de tornillos de la herramienta si la instaló previamente.
- Sostenga la herramienta con la punta hacia abajo.
- Desplace el liberación de la punta hacia la parte trasera de la herramienta y mueva la unidad.
- Suelte el botón cuando la punta salga del compartimiento de alimentación.

## AJUSTE DE LA LONGITUD DE LOS TORNILLOS

Vea la figura 7, página 14.

La punta ajustable le permite a la herramienta introducir tornillos automáticamente hasta las profundidades prefijadas.

### Para ajustar las profundidades prefijadas:

- Retire el paquete de baterías del destornillador.
- Retire el tornillo de la punta girándolo hacia la izquierda con la llave hexagonal de Nm mm (9/64 pulg.) suministrada.
- Coloque la punta en la ranura ubicada junto al compartimiento de alimentación.
- Alinee las marcas de la punta ajustable con el borde del compartimiento de alimentación para ajustar correctamente la longitud de los tornillos.
- Vuelva a introducir el tornillo de la punta y ajústelo girándolo hacia la derecha con la llave hexagonal de xx mm (9/64 pulg.) suministrada.
- Asegúrese de que la punta esté correctamente instalada antes de accionar la unidad.

# FUNCIONAMIENTO

---

## CAMBIO DE LA PUNTA

Veá la figura 7, página 14.

Se incluyen dos puntas, una para madera y otra para paneles de yeso. La punta puede extraerse y cambiarse siguiendo las instrucciones detalladas en “Ajuste de la longitud de los tornillos”.

## CARGA DE LOS TORNILLOS EN TIRAS

Veá la figuras 8 - 9, página 14.

Antes de cargar el destornillador, asegúrese de que la parte superior de los tornillos esté alineada con la parte superior de la cinta de la tira, como se muestra en la figura 8.

### Para cargar la tira de tornillos:

- Retire el paquete de baterías del destornillador.
- Ajuste la punta con la longitud de los tornillos adecuada.
- Desenganche y desplace la protección para tornillos.
- Ubique la tira en la guía para esta cinta.
- Desplace la tira de tornillos hacia delante y colóquela en el compartimiento de alimentación hasta que el segundo agujero se alinee con la punta. De esta manera, la tira de tornillos avanzará correctamente una vez presionada la punta.
- Vuelva a colocar la protección para tornillos.

### Para extraer la tira de tornillos:

- Retire el paquete de baterías del destornillador.
- Saque la tira desde la parte superior del compartimiento de alimentación.

## PROFUNDIDAD DE AJUSTE DE INTRODUCCIÓN

Veá la figura 10, página 14.

La ruedecilla para el ajuste de la profundidad de introducción permite ajustar el avellanado con precisión.

Antes de cada tarea, introduzca varios tornillos en material de desecho para controlar y ajustar la unidad, y así realizar un correcto avellanado.

Para aumentar o disminuir la profundidad de introducción de un tornillo, gire el dispositivo como se muestra en la figura.

El destornillador posee un embrague que detecta la profundidad. Cuando el tornillo es avellanado hasta la profundidad prefijada, el embrague se desactiva automáticamente y emite un clic o un cric. Esto es normal e indica que se ha completado la introducción.

## INTRODUCCIÓN DE TORNILLOS

Veá la figura 11, página 14.

- Controle la punta ajustable para que la profundidad de los tornillos sea la adecuada.
- Controle la dirección del selector de rotación para un ajuste adecuado (marcha adelante o marcha atrás).
- Asegure la pieza de trabajo. Emplee mordazas de ser necesario.
- Coloque el paquete de baterías en el destornillador.
- Sostenga el destornillador firmemente. Para obtener mejores resultados, mantenga la unidad en ángulo recto con la superficie de trabajo.
- Presione el gatillo para accionar el destornillador.
- Presione la punta ejerciendo una fuerza constante contra la superficie de trabajo. No retire la herramienta de la superficie de trabajo hasta que el embrague se desactive y la punta deje de girar. Esto indica que se ha completado la introducción del tornillo.
- Controle la profundidad de ajuste de introducción para lograr un avellanado adecuado. Ajuste de ser necesario.
- Al presionar la herramienta contra la superficie de trabajo, puede mantener el gatillo del interruptor presionado para que el siguiente tornillo esté listo para su introducción.

# MANTENIMIENTO

---

 **ADVERTENCIA:**

Para el servicio de la unidad sólo utilice piezas de repuesto RIDGID idénticas. El empleo de piezas diferentes puede presentar un peligro o causar daños al producto.

---

 **ADVERTENCIA:**

Siempre póngase protección ocular con protección lateral con la marca de cumplimiento de la norma ANSI Z87.1. Si no cumple esta advertencia, los objetos que salen despedidos pueden producirle lesiones serias en los ojos.

---

 **ADVERTENCIA:**

Para evitar lesiones corporales serias, siempre retire el paquete de baterías de la herramienta al limpiarla o darle mantenimiento.

---

## MANTENIMIENTO GENERAL

Evite el empleo de solventes al limpiar piezas de plástico. La mayoría de los plásticos son susceptibles a diferentes tipos de solventes comerciales y pueden resultar dañados. Utilice paños limpios para eliminar la suciedad, el polvo, el aceite, la grasa, etc.

---

 **ADVERTENCIA:**

No permita en ningún momento que fluidos para frenos, gasolina, productos a base de petróleo, aceites penetrantes, etc., lleguen a tocar las piezas de plástico. Las sustancias químicas pueden dañar, debilitar o destruir el plástico, lo cual a su vez puede producir lesiones serias.

---

# ACCESORIOS

---

Busque estos accesorios donde adquirió este producto.

- Punta tipo Phillips.....AC96601
  - Punta de cabeza cuadrada.....AC96602
- 

 **ADVERTENCIA:**

Arriba se señalan los aditamentos y accesorios disponibles para usarse con esta herramienta. No utilice ningún aditamento o accesorio no recomendado por el fabricante de esta herramienta. El empleo de aditamentos o accesorios no recomendados podría causar lesiones serias.

---

## REEMPLAZO DE LA ALMOHADILLA DE LA PUNTA

La almohadilla situada en el extremo de la punta para madera se desgasta con el uso continuo. Para reemplazar la punta:

Retire el paquete de baterías de la herramienta. Retire la almohadilla existente y limpie la punta para quitar todo los residuos. Retire el dorso adhesivo de una almohadilla nueva y presione firmemente para adherirla.

## REMOCIÓN Y PREPARACIÓN DEL PAQUETE DE BATERÍAS PARA EL RECICLADO

---

 **ADVERTENCIA:**

Al retirar el paquete de baterías, cubra las terminales de la misma con cinta adhesiva reforzada. No intente destruir o desarmar el paquete de baterías, ni de desmontar ninguno de sus componentes. Las baterías de níquel-cadmio o iones de litio deben reciclarse o desecharse debidamente. También, nunca toque ambas terminales con objetos metálicos y partes del cuerpo, ya que puede producirse un corto circuito. Manténgase fuera del alcance de los niños. La inobservancia de estas advertencias puede causar incendios y lesiones corporales serias.

---

# SOLUCIÓN DE PROBLEMAS

PROBLEMA	CAUSA	SOLUCIÓN
El motor arranca lentamente o no alcanza la máxima velocidad	El interruptor de arranque no funciona La batería no está cargada	Haga reemplazar el interruptor Cargue el paquete de baterías según las instrucciones incluidas con su modelo
L'outil n'arrive pas à enfoncer les vis dans le matériau	La punta esta gastada El motor se sobrecargó	Reemplace la punta Controle la sección de las aplicaciones para un uso adecuado
La herramienta no completa la introducción	El ajuste de la profundidad de introducción no es el adecuado La punta está trabada o gastada	Ajuste la profundidad de introducción Limpie o reemplace la punta
Los tira de tornillos no avanza	El ajuste de la longitud de los tornillos no es el adecuado	Ajuste según lo indicado en la sección "Ajuste de la longitud de los sujetadores"
Los tornillos se caen durante la aplicación	El ajuste de la longitud de los tornillos no es el adecuado  El riel de la punta está dañado o gastado	Ajuste según lo indicado en la sección "Ajuste de la longitud de los sujetadores"  Reemplace el conjunto de la estructura deslizable
La punta no se instala correctamente	La punta no está correctamente asentada en su compartimientos	Consulte la sección "Instale las puntas"
La punta se desliza o inserta clavos discontinuamente El tornillo queda inclinado	La herramienta se desplaza hacia delante durante la introducción La herramienta no está alineada El riel de la punta está dañado o gastado	Sostenga la herramienta firmemente mientras trabaja Envíela a un Centro de Servicio autorizado Reemplace el conjunto de la estructura deslizable
El tornillo se atasca	El ajuste de la longitud de los tornillos no es el adecuado Se aflojó el tornillo de la punta El riel de la punta está dañado o gastado La punta está dañada o gastada La punta está doblada o dañada	Ajuste según lo indicado en la sección "Ajuste de la longitud de los sujetadores" Ajuste el tornillo de la punta Reemplace el conjunto de la estructura deslizable Reemplace la broca Reemplace la punta
El mecanismo deslizable se traba o "regresa a su posición" lentamente	Se acumuló suciedad en el mecanismo El resorte regresa a su posición sin fuerza	Limpie el mecanismo que permite el regreso del resorte Reemplace el resorte
El motor se sobrecarga	El motor se sobrecargó	Controle la sección de las aplicaciones para un uso adecuado
Se debe ejercer más fuerza sobre la unidad	El conjunto de la estructura deslizable está gastado	Reemplace el conjunto de la estructura deslizable

# GARANTÍA

---

## HERRAMIENTAS ELÉCTRICAS DE MANO Y ESTACIONARIAS RIDGID® GARANTÍA DE SERVICIO LIMITADA DE 3 AÑOS

Debe presentarse prueba de la compra al solicitar servicio al amparo de la garantía.

Se limita a las herramientas de mano y estacionarias RIDGID® adquiridas a partir de 1/feb./04. Este producto está manufacturado por One World Technologies, Inc., La licencia de uso de la marca comercial es otorgada por RIDGID, Inc. Toda comunicación en relación con la garantía debe dirigirse a One World Technologies, Inc., a la atención de: Servicio Técnico de Herramientas Eléctricas de Mano y Estacionarias RIDGID, al (línea gratuita) 1-866-539-1710.

### POLÍTICA DE GARANTÍA DE SATISFACCIÓN DE 90 DÍAS

Durante los primeros 90 días a partir de la fecha de compra, si no está satisfecho con el desempeño de esta herramienta de mano o estacionaria RIDGID® por cualquier razón, puede devolverla al establecimiento donde la adquirió, donde se le proporcionará un reembolso total o un intercambio. Para recibir una herramienta de reemplazo, debe presentar documentación de prueba de la compra, y devolver el equipo original empaquetado con el producto original. La herramienta de reemplazo queda cubierta por la garantía limitada por el resto del período de garantía de servicio de 3 AÑOS.

### LO QUE ESTÁ CUBIERTO POR LA GARANTÍA DE SERVICIO LIMITADA DE 3 AÑOS

Esta garantía de las herramientas de mano y estacionarias RIDGID® cubre todos los defectos en materiales y mano de obra, así como piezas desgastables como escobillas, portabrocas, motores, interruptores, cordones eléctricos, engranajes e incluso las baterías inalámbricas de esta herramienta RIDGID® por tres años a partir de la fecha de compra de la herramienta. Las garantías de otros productos RIDGID® pueden ser diferentes.

### FORMA DE OBTENER SERVICIO

Para obtener servicio para esta herramienta RIDGID®, debe devolverla, ya sea con el flete pagado por anticipado, o llevarla a un centro de servicio autorizado para herramientas eléctricas de mano y estacionarias de la marca RIDGID®. Para obtener información sobre el centro de servicio autorizado más cercano a usted, le suplicamos llamar al (línea gratuita) 1-866-539-1710 o visitar el sitio electrónico de RIDGID® en la red mundial, [www.ridgid.com](http://www.ridgid.com). Al solicitar servicio al amparo de la garantía, debe presentar el recibo fechado de venta. El centro de servicio autorizado reparará toda mano de obra deficiente del producto, y reparará o reemplazará cualquier pieza cubierta en la garantía, a nuestra sola discreción, sin ningún cargo al consumidor.

### LO QUE NO ESTÁ CUBIERTO

Esta garantía se ofrece exclusivamente al comprador original al menudeo y no puede transferirse. Esta garantía sólo cubre defectos que surjan en el uso normal de la herramienta y no cubre ningún malfuncionamiento, falla o defecto producido por el uso indebido, maltrato, negligencia, alteración, modificación o reparación efectuada por terceros diferentes de los centros de servicio autorizados para herramientas eléctricas de mano y estacionarias de la marca RIDGID®. No están cubiertos los accesorios suministrados con la herramienta, como las hojas, brocas, papel de lija, etc.

**RIDGID, INC. Y ONE WORLD TECHNOLOGIES, INC. NO OFRECEN NINGUNA GARANTÍA, DECLARACIÓN O PROMESA EN RELACIÓN CON LA CALIDAD O EL DESEMPEÑO DE SUS HERRAMIENTAS ELÉCTRICAS MÁS QUE LAS SEÑALADAS ESPECÍFICAMENTE EN ESTA GARANTÍA.**

### LIMITACIONES ADICIONALES

Hasta donde lo permiten las leyes relevantes, se desconoce toda garantía implícita, incluidas las GARANTÍAS DE COMERCIALIZACIÓN o IDONEIDAD PARA UN USO PARTICULAR. Toda garantía implícita, incluidas las garantías de comerciabilidad o idoneidad para un uso en particular, que no pueda desconocerse según las leyes estatales, está limitada a tres años a partir de la fecha de compra. One World Technologies, Inc. y RIDGID, Inc. no son responsables de daños directos, indirectos, incidentales o consecuentes. Algunos estados no permiten limitaciones en cuanto al período de vigencia de una garantía implícita y/o no permiten exclusiones o limitaciones de daños incidentales o consecuentes, por lo tanto es posible que esta limitación no se aplique en el caso de usted. Esta garantía le confiere derechos legales específicos, y es posible que usted goce de otros derechos, los cuales pueden variar de estado a estado.

---

**One World Technologies, Inc.**

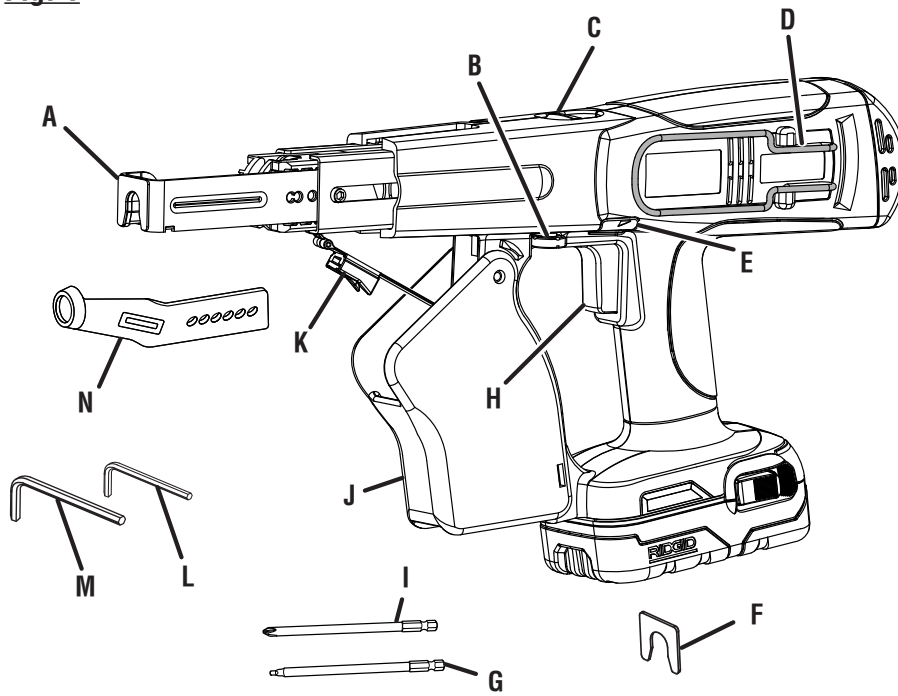
P.O. Box 35, Hwy. 8

Pickens, SC 29671, USA

---

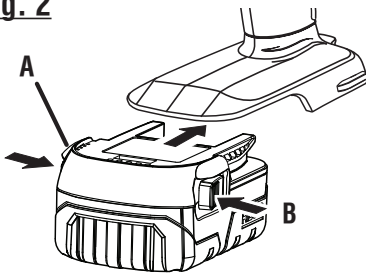


**Fig. 1**



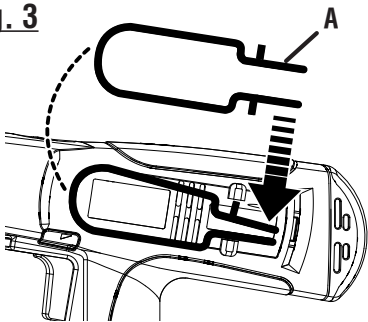
- A - Adjustable nosepiece - wood (bout réglable - bois, punta ajustable - madera)
- B - Depth of drive adjustment (réglage de la profondeur de vissage, ajuste de la profundidad de introducción)
- C - Bit release (relâchement de l'embout, liberación de las puntas)
- D - Belt clip (crochet de ceinture, clip para el cinto)
- E - Direction of rotation selector (sélecteur de sens de rotation, selector de sentido de giro)
- F - Nosepiece pad - wood (coussinets pour bout-bois, almohadillas para puntas - madera)
- G - Square head bit (embout à tête carrée, punta de cabeza cuadrada)
- H - Switch trigger (gâchette, gatillo del interruptor)
- I - Phillips bit (embout phillips, puntas tipo phillips)
- J - Screw guard (garde vis, protección para tornillos)
- K - Screw strip guide (guide de vis en bande, guía para la tira de tornillos)
- L - 3/32 in. hex key (3/32 po clé hexagonale, llave hexagonale de 3/32 pulg.)
- M - 9/64 in. hex key (9/64 po clé hexagonale, llave hexagonale de 9/64 pulg.)
- N - Adjustable nosepiece - drywall (bout réglable - cloison sèche, punta ajustable - panneaux de yeso)

**Fig. 2**



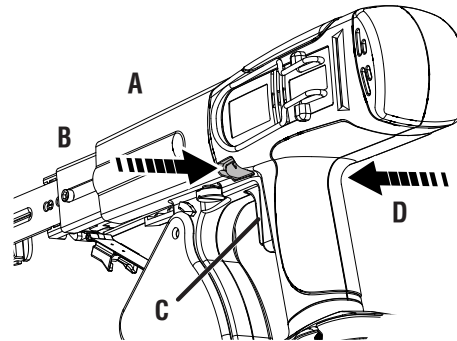
- A - 18 v lithium-ion battery pack (18 v li-ion bloc de batteries, 18 v paquete de baterías de iones de litio)
- B - Depress latches to release battery pack (appuyer sur les loquets pour libérer le bloc de batteries, para soltar el paquete de baterías oprima los pestillo)

**Fig. 3**



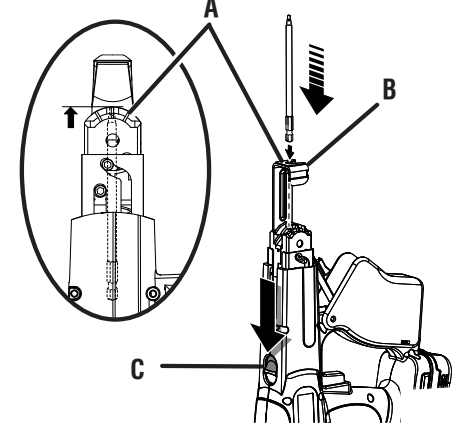
- A - Belt clip (crochet de ceinture, clip para el cinto)

**Fig. 4**



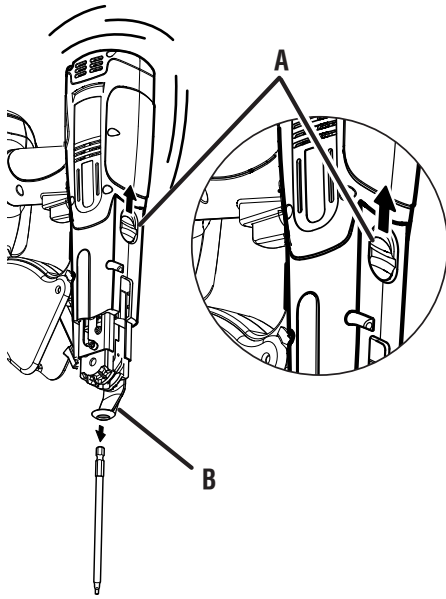
- A - Direction of rotation selector (sélecteur de sens de rotation, selector de sentido de rotación)
- B - Reverse (rotation arrière, atrás)
- C - Switch trigger (avant, gatillo del interruptor)
- D - Forward (gâchette, adelante)

**Fig. 5**



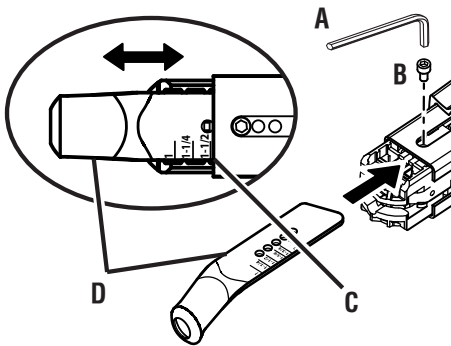
- A - Feed housing (logement d'alimentation, compartimiento de alimentación.)
- B - Nosepiece - wood (bout réglable - bois, punta - madera)
- C - Bit release (relâchement de l'embout, liberación de las puntas)

**Fig. 6**



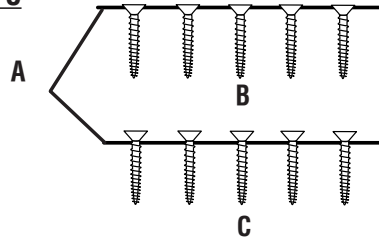
- A - Bit release (relâchement de l'embout, liberación de las puntas)
- B - Nosepiece - drywall (bout réglable - cloison sèche, punta - paneles de yeso)

**Fig. 7**



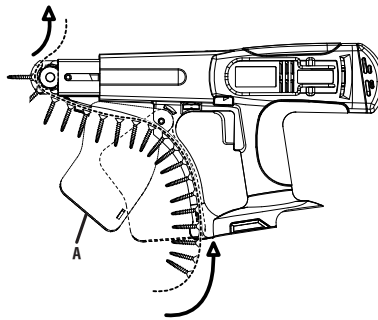
- A - 9/64 in. hex key (clé hexagonale de 9/64 po, llave hexagonal de 3/32 pulg.)
- B - Nosepiece screw (vis d'arrimage du bout, tornillo de la punta)
- C - Feed housing edge (rebord du logement d'alimentation, borde del compartimiento de alimentación)
- D - Nosepiece (bout, punta - paneles de yeso)

**Fig. 8**



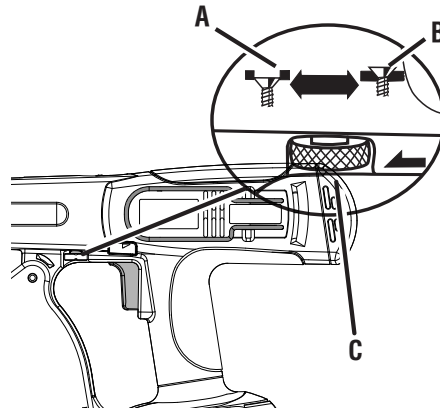
- A - Collated tape (bande, cinta de la tira)
- B - Correct (correct, correct)
- C - Incorrect (incorrect, incorrect)

**Fig. 9**



- A - Screw guard (garde-vis, protección para tornillos)

**Fig. 10**



- A - Increase depth (augmenter la profondeur, aumentar la profundidad)
- B - Decrease depth (réduire la profondeur, disminuir la profundidad)
- C - Depth of drive adjustment thumbwheel (molette de réglage de la profondeur de vissage, ruedecilla para el ajuste de la profundidad de introducción)

**Fig. 11**

