

THE ASSEMBLY INSTRUCTION OF TRELLIS GAZEBO



"WARNING: KEEP ALL FLAME AND HEAT SOURCES AWAY FROM THIS GAZEBO FABRIC. This Gazebo is made with fabric that meets CPAI – 84 specifications for flame resistance. It is not fire proof. The fabric will burn if left in continuous contact with any flame source. The application of any foreign substance to the gazebo fabric may render the flame-resistant properties ineffective."

Yotrio Corporation
4550 San Pablo Ave, Suite B, Emeryville, CA 94608.
Country of Original: China
Code #: Yotrio 2009



DO NOT RETURN TO RETAILER

IF YOU HAVE ANY QUESTIONS OR CONCERNS
PLEASE VISIT OUR WEBSITE AT :

www.yotrioint.com

OR TOLL FREE AT:

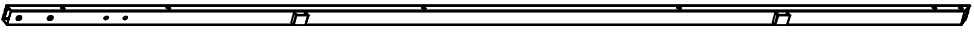
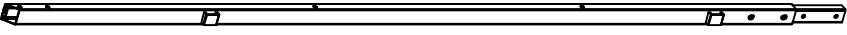
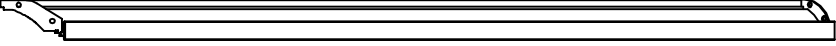
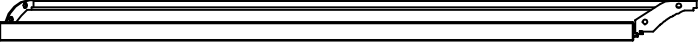
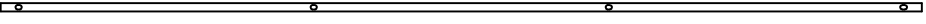
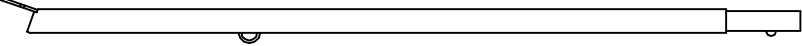
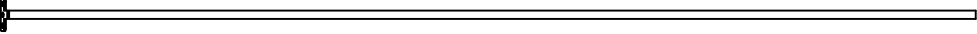
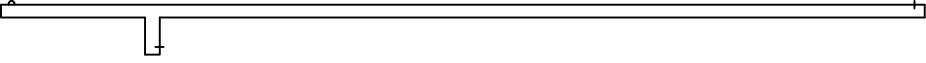


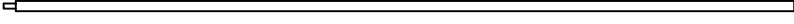
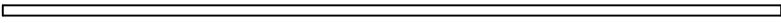
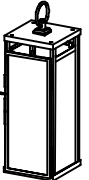
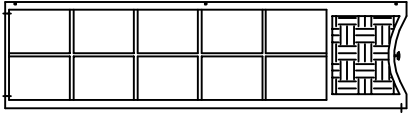
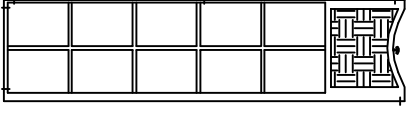


1-866-905-4107

MONDAY-FRIDAY 9:00 AM TO 5:30 PM PST

YOTRIO CUSTOMER CARE



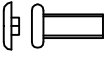

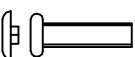
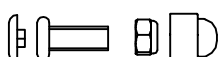
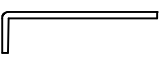

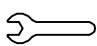
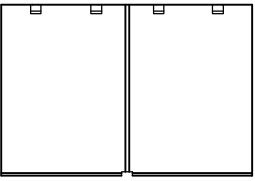
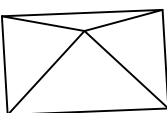
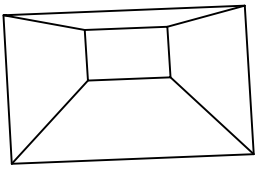
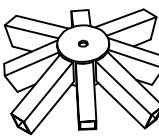
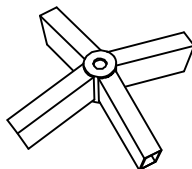
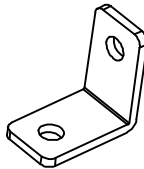
ASSEMBLY INSTRUCTION

PARST LIST

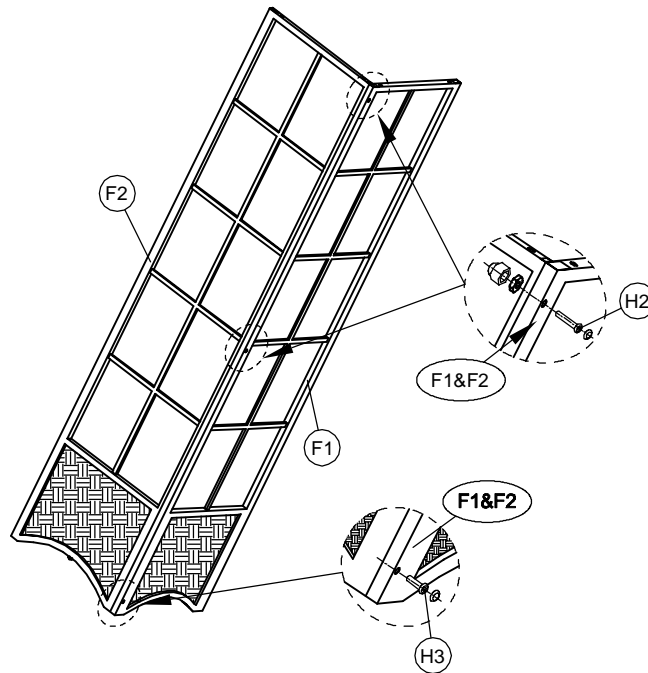
PARTS NO	QTY	DESCRIPTION			
A1	4				
A2	4				
B1	4				
B2	4				
C	8				
D1	4				
D2	4				
D3	4				
D4	4				
D5	4				
D6	2				
D7	2				
E	3		F1	4	
F2	4				
G1	1		G2	3	

ASSEMBLY INSTRUCTION

PARST LIST

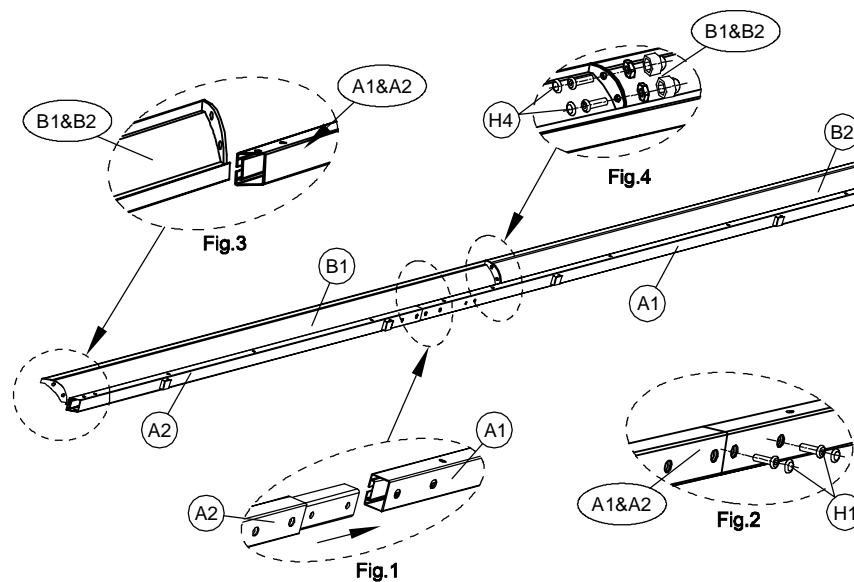
PARTS NO	QTY	DESCRIPTION					
G3	8			G4	1		
H1	64		M6 * 15 mm	H2	8	 M6 * 40 mm	
H3	20		M6 * 30 mm	H4	16	 M6 * 12 mm	
J	8			K	1		
L	1						
M1	2			M2	1		
M3	1			N	1		
P	1			Q	8		

STEP 01



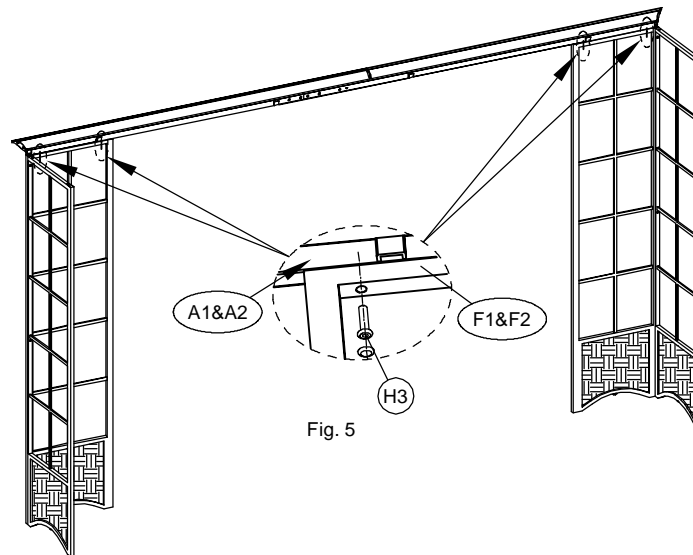
Step 1: Assemble Panel F1 with Panel F2 by using M6X30 (H3) bolts. Put plastic caps on. Repeat this step 3 times.

STEP 02



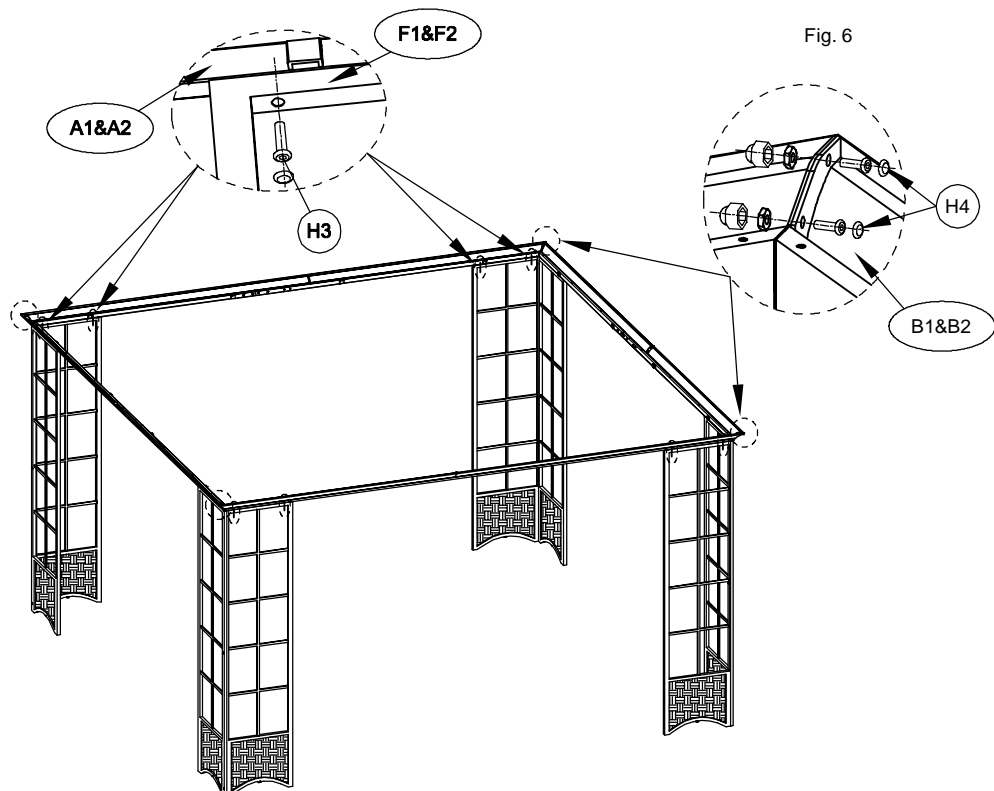
Step 2: Assemble Beam A1 with A2 by using M6X15 (H1) bolts. See figure 1 & 2. Insert eaves B1 and B2 into the assembled Beam (A1 & A2) through the assembled beam track. See figure 3. Screw eaves B2 and B3 by using M6X12 (H4) Bolts. See figure 4.

STEP 03



Step 3: Place the assembled Beam (A1&A2) and Eaves (B1&B2) on top of the Panels (F1&F2) and fastened by using M6X30 (H3) bolts. See figure 5. Repeat this step 3 times.

STEP 04



Step 4: Connect all 4 assembled beams (B1 &B2) at each corner by using M6X12 (H4) bolts. See figure 6. Repeat this step for all 4 corners.

STEP 05

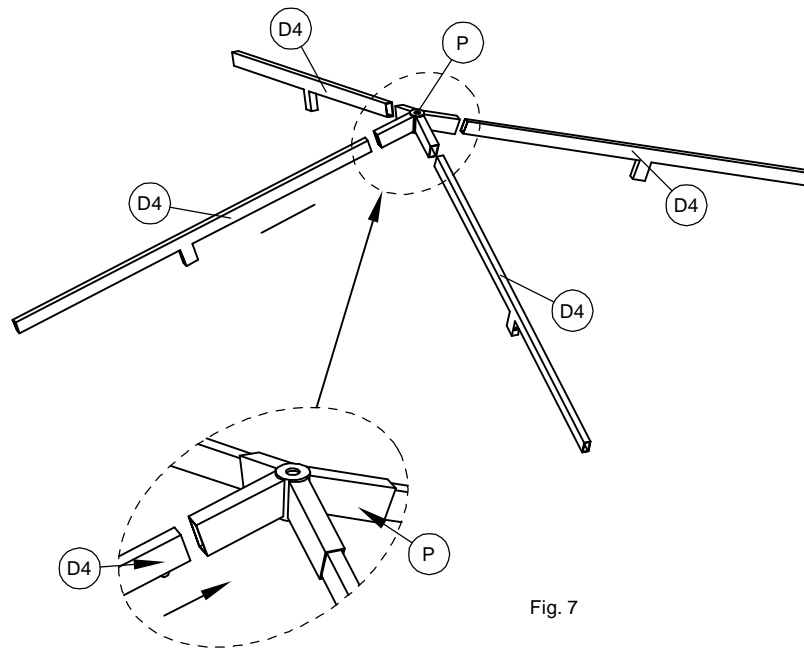


Fig. 7

Step 5: Insert the 4 short canopy support tubes (D4) into the short canopy HUB (P). Make sure to lock them in place by using push pin on the tubes. See figure 7.

STEP 06

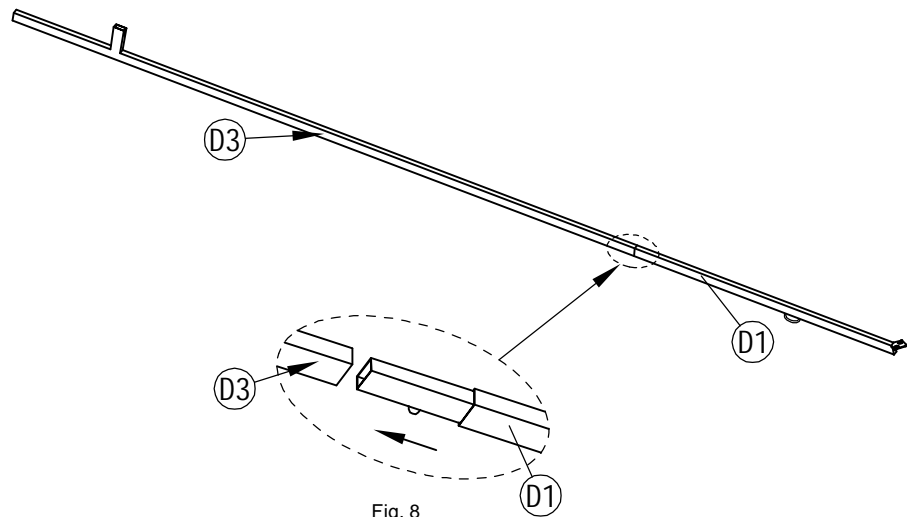
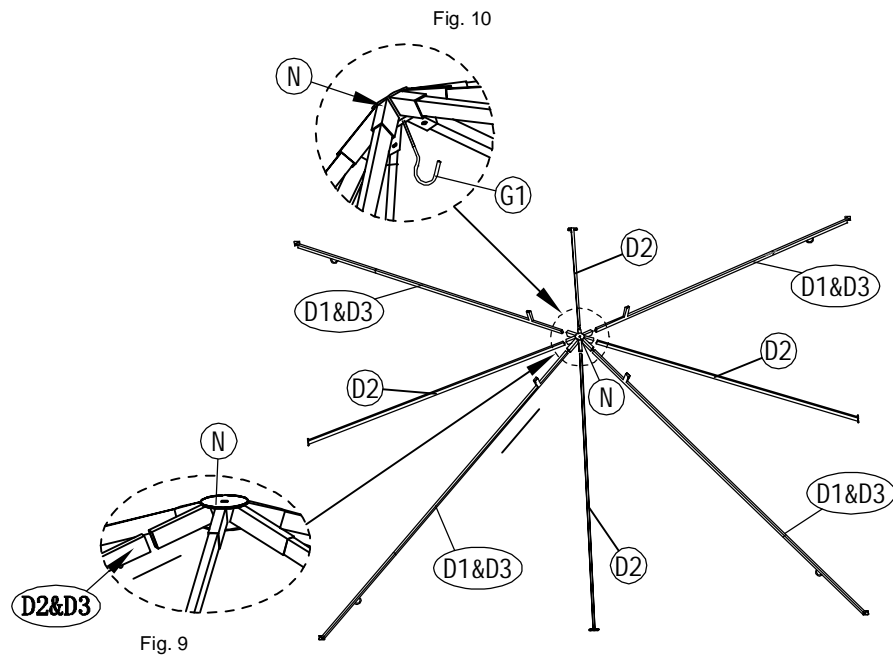


Fig. 8

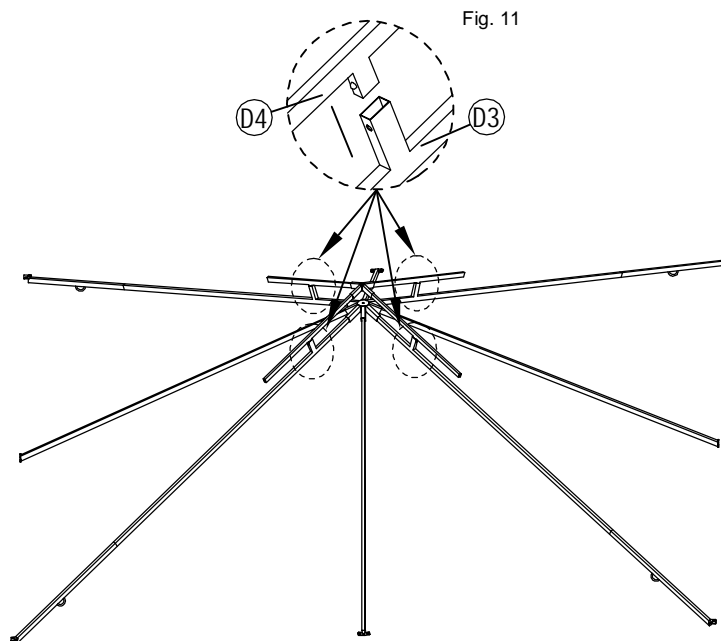
Step 6: Assemble the long canopy support tubes D1 with D3 by pressing the push pin on tube (D1). See figure 8. Repeat this step 3 times.

STEP 07



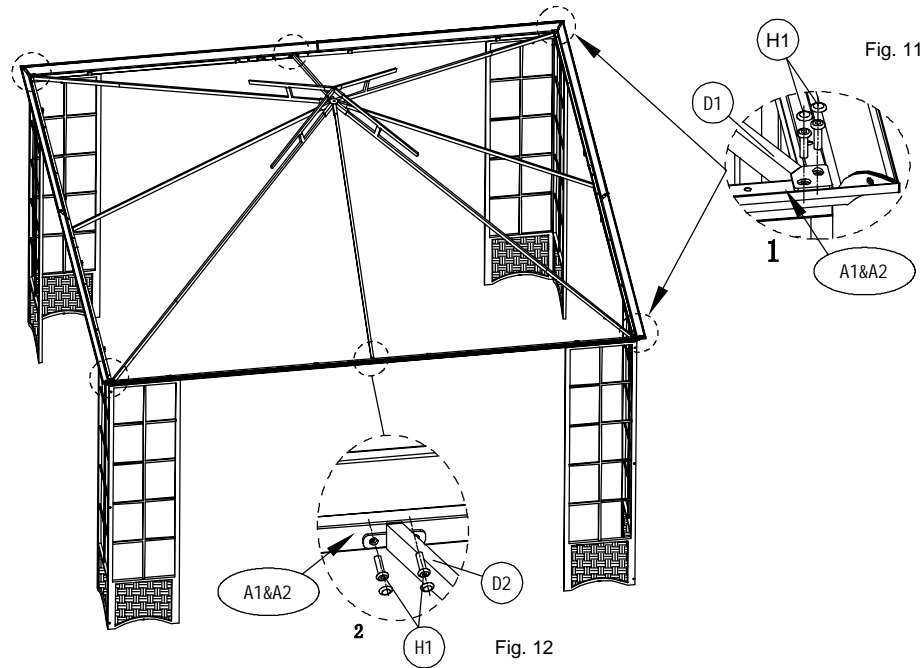
Step 7: Insert the assembled 4 long canopy support tubes (D1 & D3) and short canopy support tube (D2) into the Large HUB (N). Make sure to lock them in place by using stretch button on the tubes. See figure 9. Then screw the lantern hook (J) underneath HUB (N). See Figure 10.

STEP 08



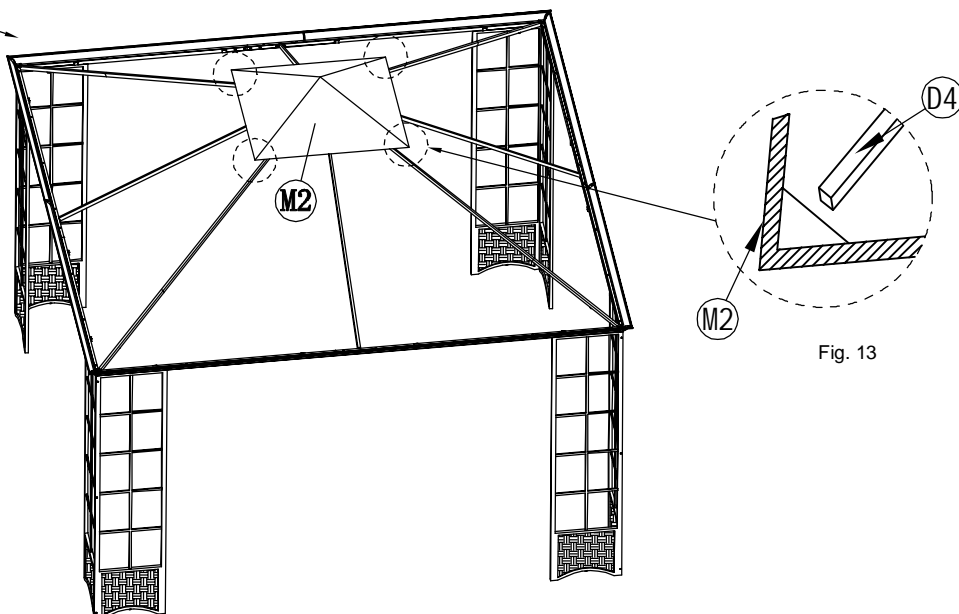
Step 8: Place the assembled HUB (P) on the assembled HUB (N). Make sure to connect HUB (N) with HUB (P) by using the push pin on the support canopy tubes (D3 with D3). See figure 10

STEP 09



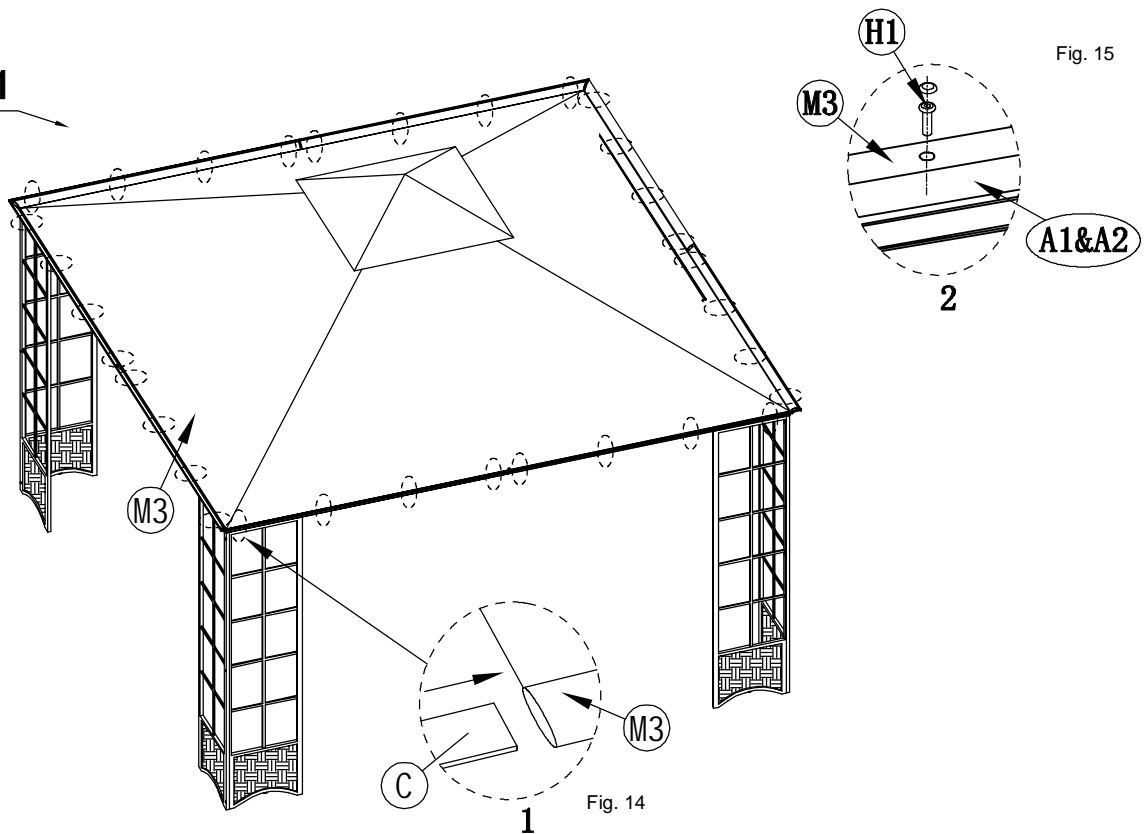
Step 9: Fastened the canopy support tube (D1) with the assembled Beam (A1&A2) at each corner by using M6X15 (H1) bolts. Place the plastic caps. See figure 11. Repeat this step 3 times. Then fastened the short canopy support tube (D2) with the assembled Beam (A1&A2) at the middle section by using M6X15 (H1) bolts. See figure 12. Place the plastic caps. Repeat this step 3 times.

STEP 10



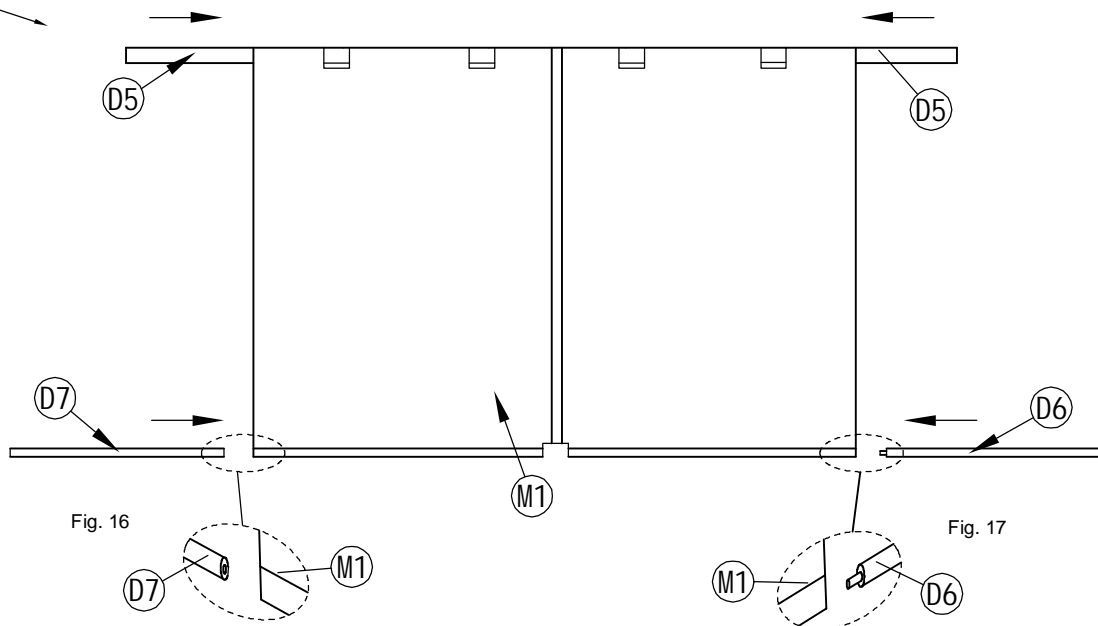
Step 10: Place the small canopy cover (M2) over the top of the assembled short HUB (P) and pull the canopy's corner pocket at the end of short support tube (D4). See figure 13. Repeat this step 3 times.

STEP 11



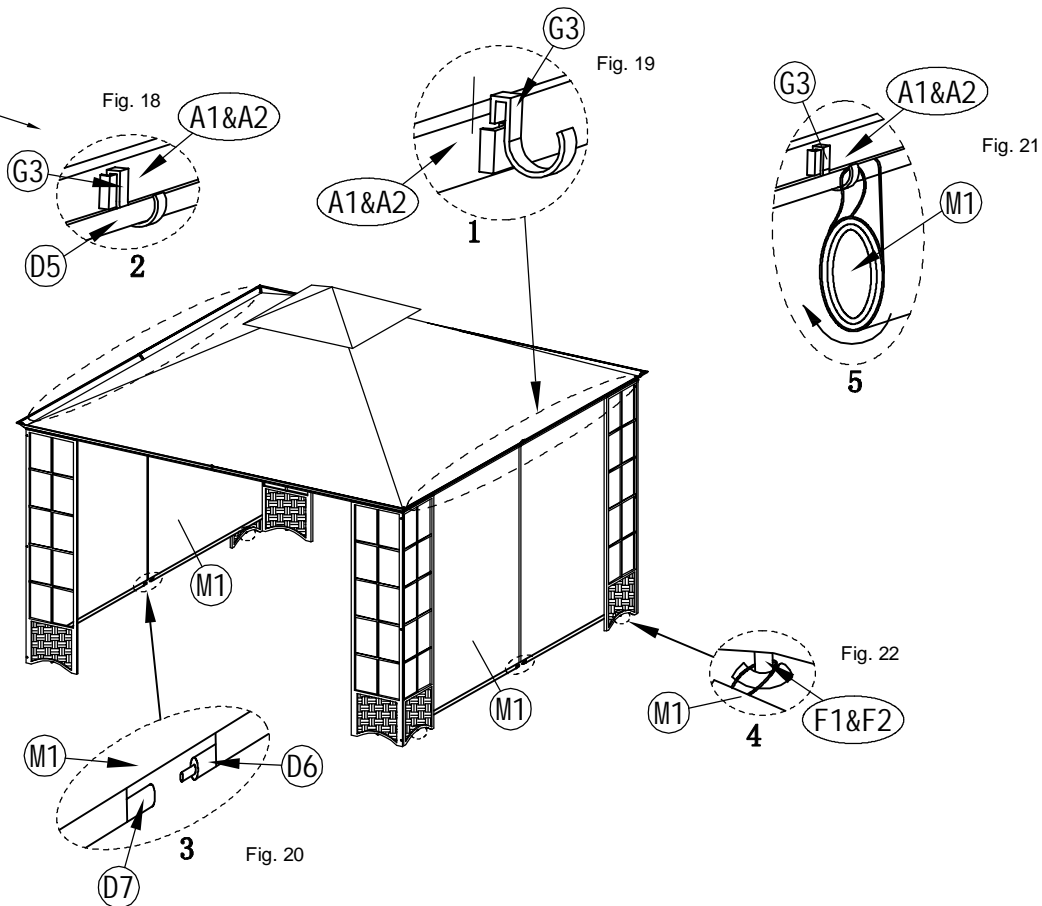
Step 11: Place the large canopy cover (M3) over the top of the assembled HUB (N), then insert the canopy fitting tube (C) at the end of the large canopy cover (M3). See figure 14. Repeat this step 3 times. Fix the large canopy cover (M3) on the assembled beam (A1&A2) by using M6X15 (H1) bolts. See figure 15. Repeat this step 5 times on each side of the Gazebo.

STEP 12



Step 12: To assemble the Sun Panel: On the top of the pane insert the 2 pieces of the sun panel fit tube (D5) through from either end (M1). At the bottom of the sun panel (M1), insert the sun panel fit tube (D7 & D6) through the end. See figure 16 & 17. Repeat this step on for the second sun panel.

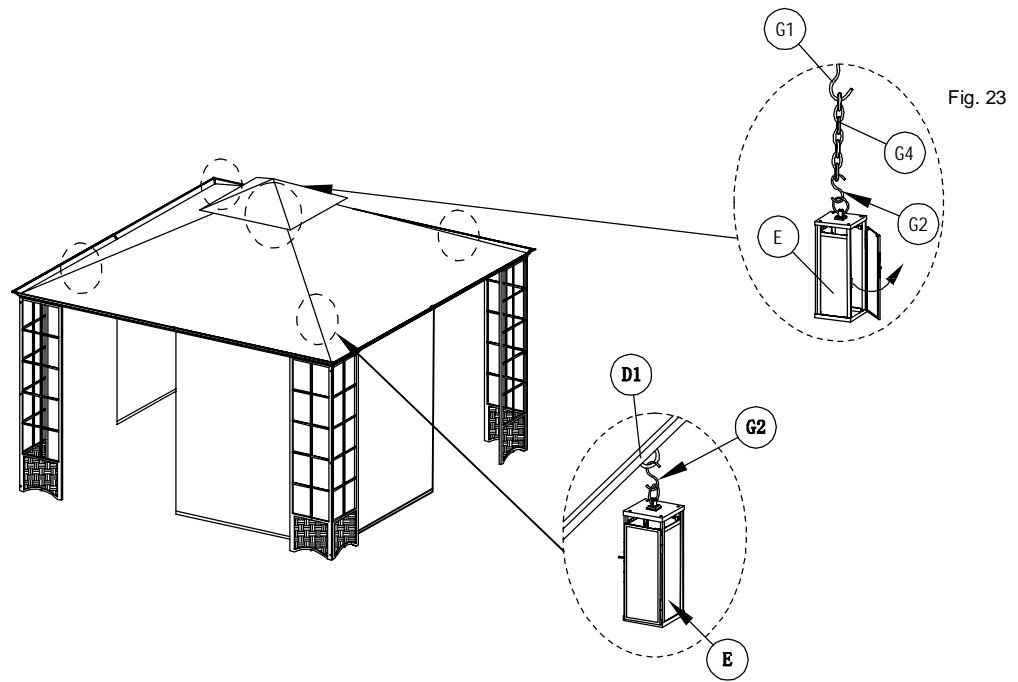
STEP 13



Step 13:

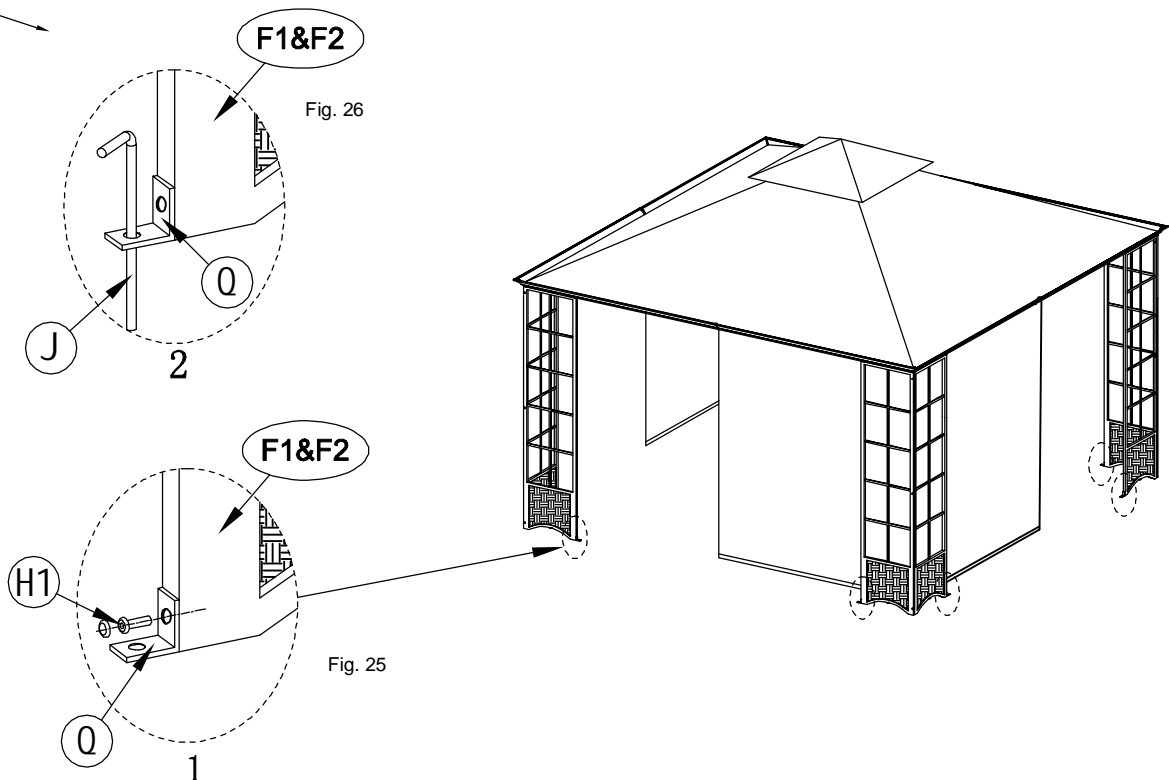
- A. Insert the sun panel hooks (G3) on the assembled beam (A1&A2) - each beam should have 4. See figure 19.
- B. Place the assembled sun panel fit tube (D) with the assembled sun panel (M1) on the hooks (G3). See figure 18.
- C. To prevent the sun panel from being blown by the wind: fix the sun panel fit tubes (D7 & D6) together. See figure 20. And tie the rope to the small hooks at the bottom of assembled panels (F1 & F2). See figure 22.
- D. To hide the sun panel (M1). Roll the sun panel (M1) on the hook (G3) and tie the rope to the hooks. See figure 21.
- E. You can install the sun panel on any side of the Gazebo you like by following the above steps.

STEP 14



Step 14: See lantern assembly instructions attached. Place lantern hooks (G2) and along side the support tubes ribs (D1) then hang the chain (G4) along side the mid post of the Gazebo. See figure 23.

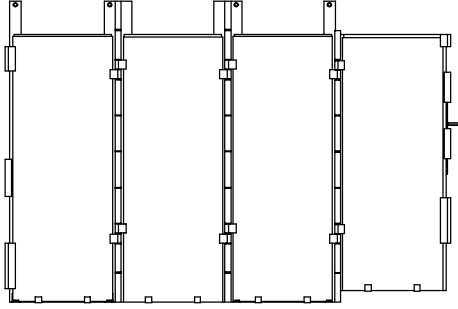
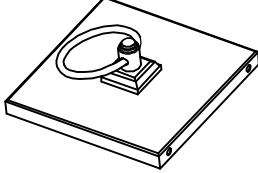
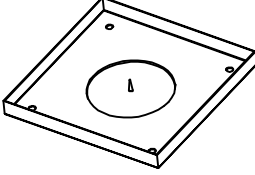
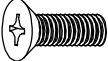
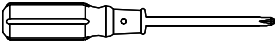
STEP 15



Step 15: Assemble the ground fitting bracket (Q) at the end of the assembled panel by using M6X15 (H1) bolts. See figure 25. Repeat this step 7 times. Once finish Insert ground spikes (J) through the ground fitting bracket to place the Gazebo firmly on the ground. See figure 26.

ASSEMBLY INSTRUCTION

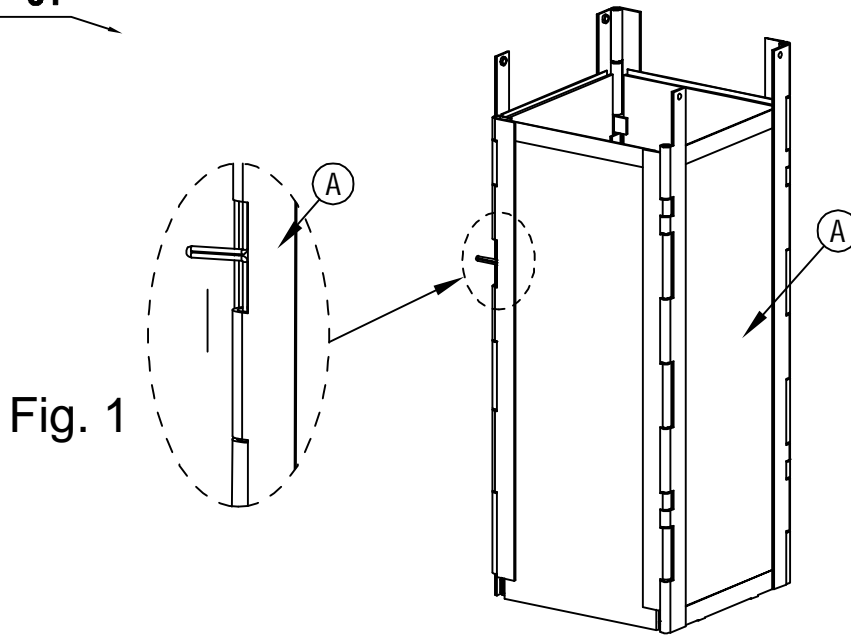
PARST LIST

PARTS NO	QTY	DESCRIPTION
A	1	
B	1	
C	1	
D	8	 M4 * 8 mm
E	1	

Attention:

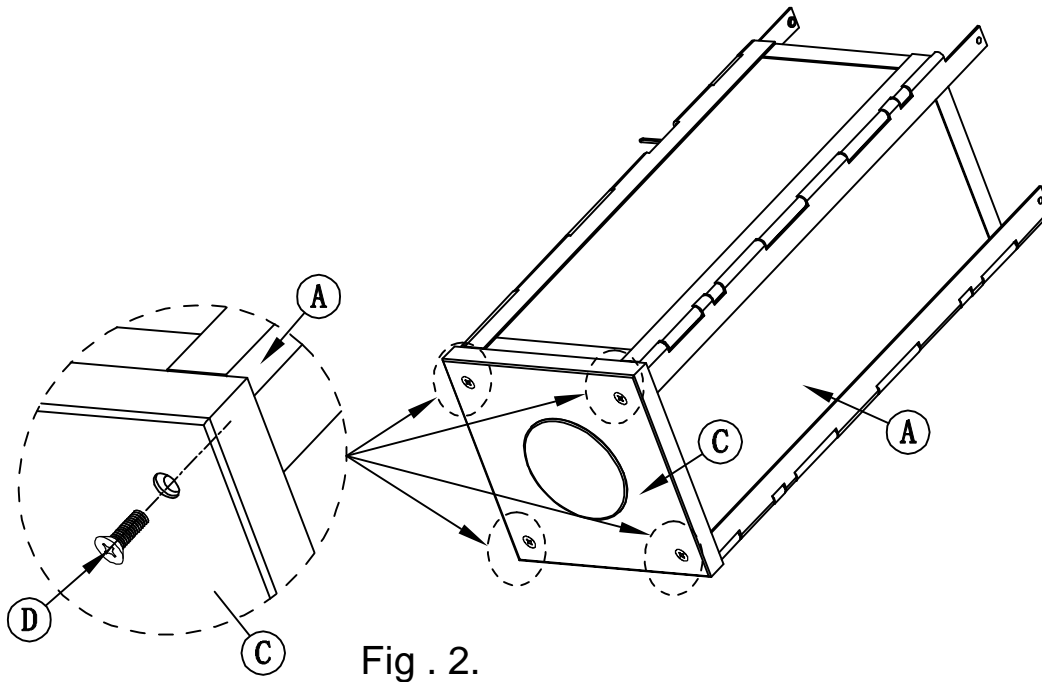
- 1, Candles are not provided and need to be purchased separately.
- 2, NEVER leave lit candles unattended at any time.
- 3, When the lantern is in use with a lit candle children are not to play around the gazebo and must have adult supervision.
- 4, The Lanterns are not toy's and need to be handled by adults only.
- 5, To avoid damage to your lantern and gazebo the candle in your lantern must not exceed the dimensions of 1.5" diameter and 1.75" height.

STEP 01



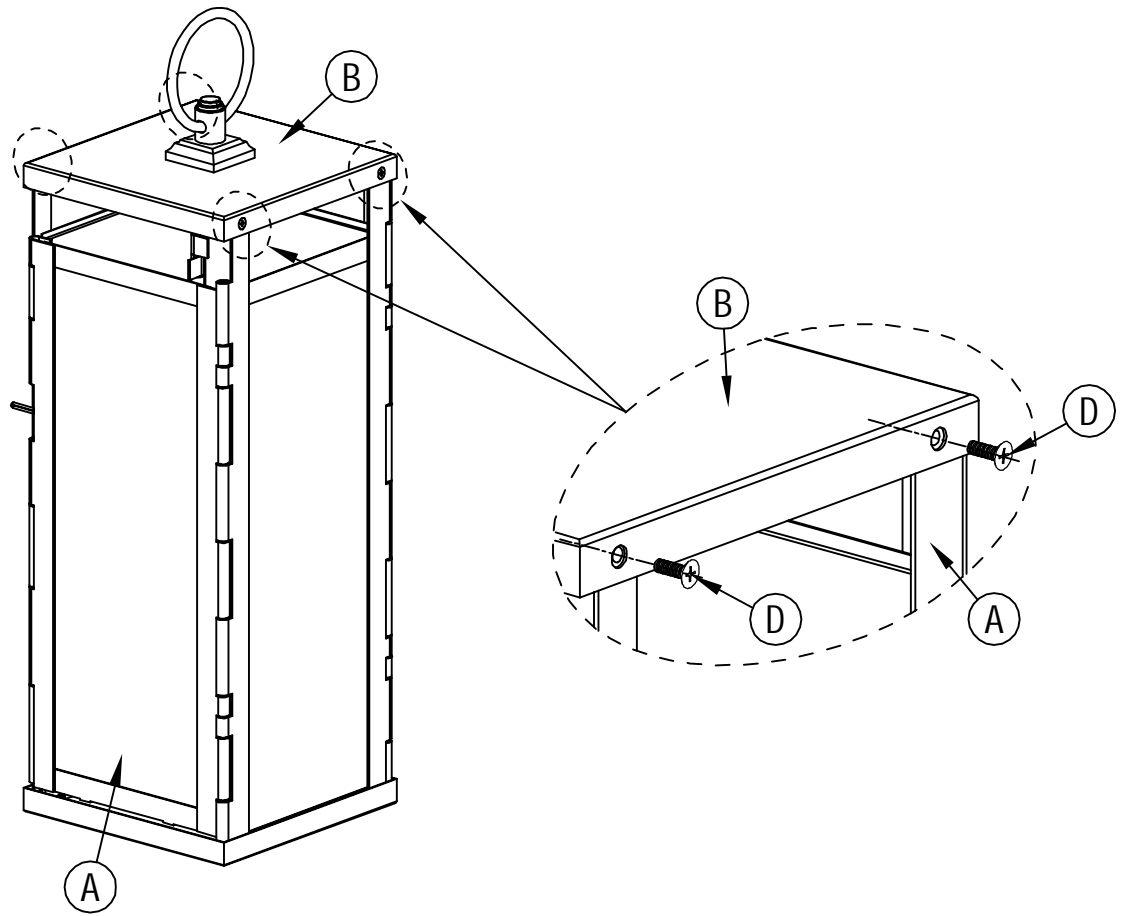
Step 1: Place panels A Stand and make them closed by bolt. please see the Fig.1.

STEP 02



Step 2: Assemble bottom C to Panel A by using Bolts D. Repeat this step 3 times. Please see the Fig . 2.

STEP 03



Step 3: Assemble Top cover B to Panel A by using Bolts D. Repeat this step 3 times. Please see the Fig . 2.