

EVERBILT

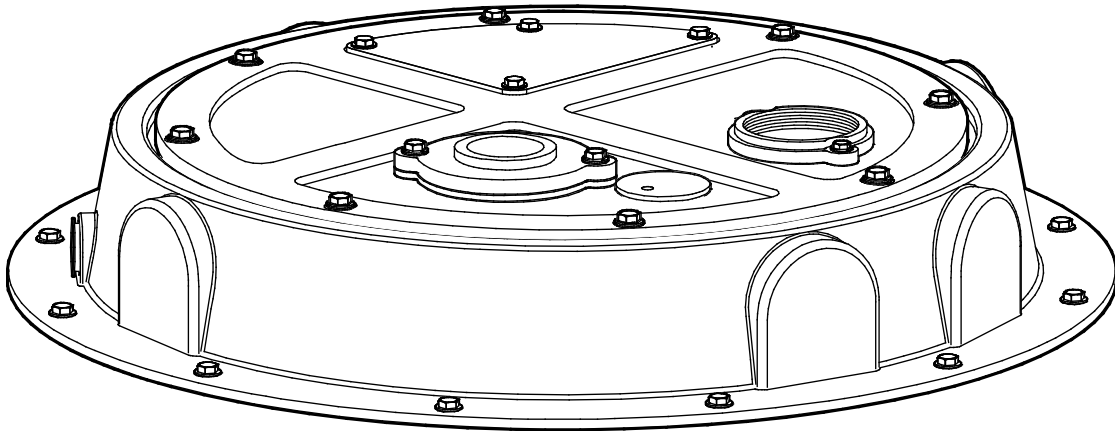
TM

Item #1002162762

Model #THD1085

USE AND CARE GUIDE

RADON MITIGATION BASIN COVER



Questions, problems, missing parts? Before returning to the store,
call Everbilt Customer Service
8 a.m. - 7 p.m. EST, Monday - Friday and Saturday 9 a.m. - 6 p.m. EST

1-877-297-6069

HOMEDEPOT.COM

THANK YOU

We appreciate the trust and confidence you have placed in Everbilt through the purchase of this radon mitigation basin cover. We strive to continually create quality products designed to enhance your home. Visit us online to see our full line of products available for your home improvement needs. Thank you for choosing Everbilt!

Table of Contents

Table of Contents.....2
Safety Information.....2
Warranty.....2

Pre-Installation..... 3
Installation 6

Safety Information

PRECAUTIONS

1. This document serves only as an installation guide. Refer to your state and/or local plumbing, radon mitigation, or onsite wastewater treatment and disposal regulations for details pertaining to your systems design, installation and maintenance requirements.
2. Keep this instruction manual in a safe place for future reference.



DANGER: Do not pump flammable or explosive liquids such as oil, gasoline, kerosene, ethanol, etc. Do not use in the presence of flammable or explosive vapors. Using this pump with or near flammable liquids can cause an explosion or fire, resulting in property damage, serious personal injury, and/or death.



DANGER: ALWAYS disconnect the power to the pump before servicing.



DANGER: Do not touch the pump motor housing during operation. The motor is designed to operate at high temperatures. Do not disassemble the motor housing.



DANGER: Do not handle the pump or pump motor with wet hands or when standing on a wet or damp surface, or in water. If basement floor is wet, do not walk on wet area until all power is turned off. If shut-off box is in basement, call the electric company to shut off service to the house, or call your local fire department for instructions. Remove pump and repair or replace. Failure to follow this warning can result in fatal electrical shock



WARNING: Secure the discharge line before starting the pump. An unsecured discharge line will whip, possibly causing personal injury, and/or property damage.



WARNING: Release all pressure and drain all water from the system before servicing any component.



WARNING: Wear safety goggles at all times when working with pumps.



CAUTION: Know the pump and its applications, limitations, and potential hazards.

Warranty

The manufacturer warrants to the original consumer purchaser of the basin cover that it will be free from defects in material and workmanship for the Warranty Period of 12 months from date of purchase. The date of purchase shall be determined by the original dated sales receipt noting the model number of the cover. The original sales receipt must accompany the returned cover. If the cover fails during the warranty period, return the cover to The Home Depot along with the receipt.

The manufacturer shall not be liable under this Warranty for any product that, in our sole judgment, has been subject to negligence, misapplication, improper installation, or improper maintenance. Also, the manufacturer shall not be liable under this Warranty if the product has been disassembled, modified, abused or tampered with.

The manufacturer shall not be liable for any consequential, incidental, or contingent damages whatsoever. The manufacturer recommends using a professional plumber or radon mitigation contractor for all installation and repair, and periodic inspection. The manufacturer makes no warranty regarding the suitability of a product for a particular installation.

Some states do not allow the exclusion or limitation of incidental or consequential damages or limitations on the duration of the implied warranty, so the above limitations or exclusions may not apply to you. This warranty gives you specific legal rights and you may also have other rights which may vary from state to state.

Contact the Customer Service Team at 1-877-297-6069 or visit www.HomeDepot.com.

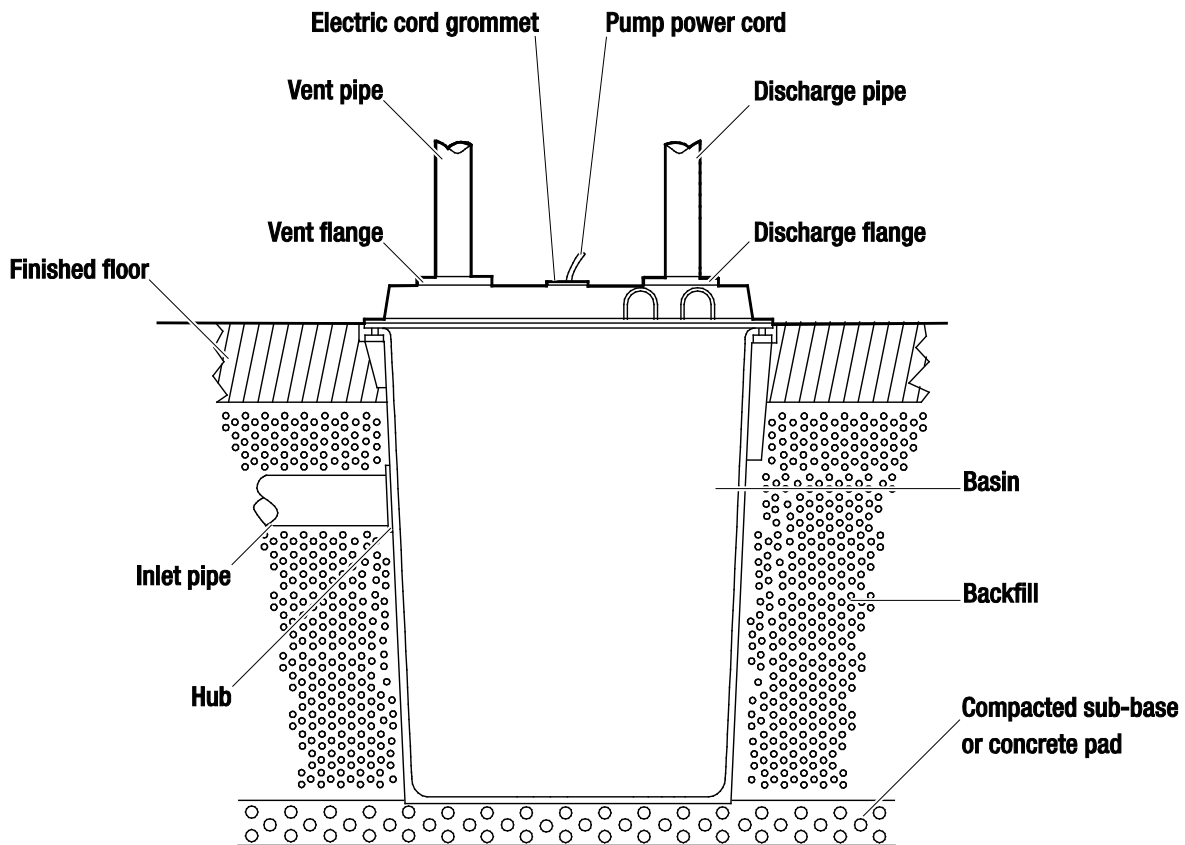
Pre-Installation

APPLICATION

The Everbilt Radon Mitigation Basin Cover serves two pressing needs; the need for a universal gas-tight cover to serve the radon mitigation market and the need for a cover to retrofit failing sump and sewage basin covers. The Everbilt Radon Mitigation Basin Cover is designed to fit over an existing basin, providing a new heavy duty cover to properly contain and vent radon gas and odors. There is no reason to dig up your basement or garage floor to remove the existing sump or sewage basin. Simply remove the old cover and install the Everbilt Radon Mitigation Basin Cover over the opening to create a new, sealed system. The Everbilt Radon Mitigation Basin Cover is adaptable with a variety of spaces for different connections and comes with a full range of flanges that fit every size pipe. The removable cover allows for easy access to the pump and has a clear view, removable inspection plate.

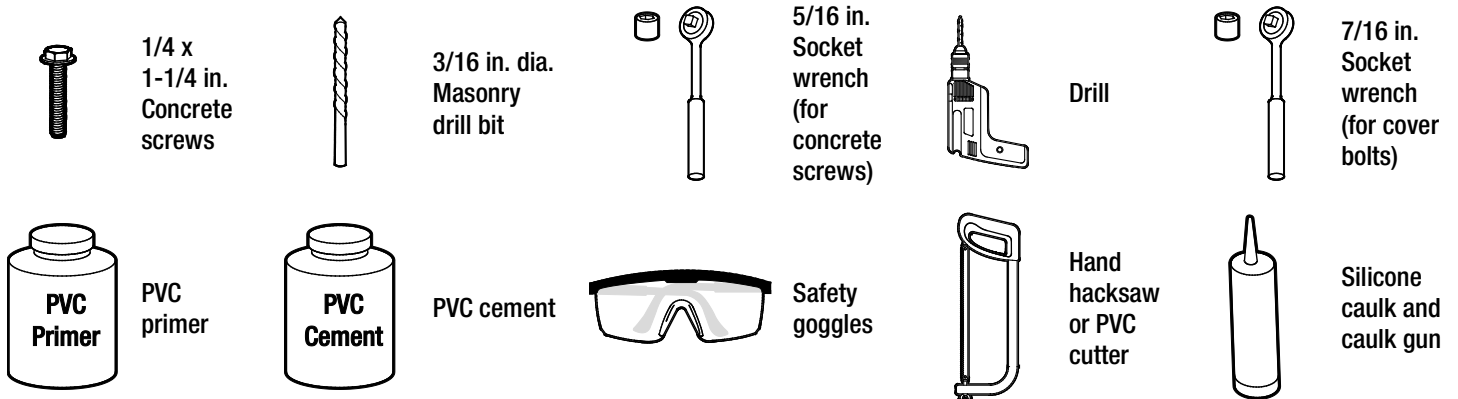
TYPICAL INSTALLATION

Note that you will be disconnecting and reconnecting your system's plumbing and electrical connections. If you are uncertain of any aspects of your particular installation, contact a plumbing contractor or radon mitigation contractor.

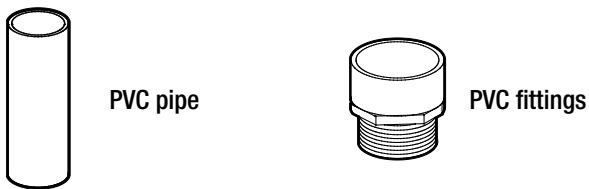


Pre-Installation (continued)

TOOLS REQUIRED



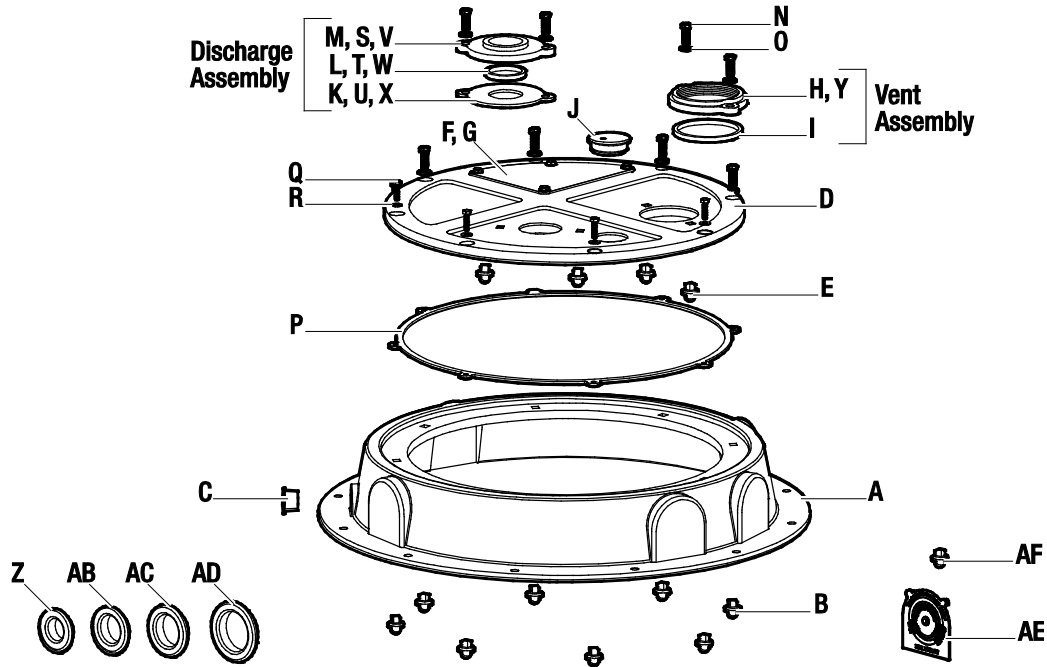
MATERIALS REQUIRED (NOT INCLUDED)



PRODUCT DESCRIPTION

The cover (A and B) is pre-assembled along with the lid (D – 0) in a 1-1/2 in. discharge and 3 in. vent configuration. If this does not suit your installation, reconfigure the lid using the optional parts provided (S – Y).

Pre-Installation (continued)



Part	Description	Quantity
A	Cover riser	1
B	1/4-20 Nylon enclosed nut (Preassembled to cover (A))	8
C	Drain plug	1
D	SF16314 2x3 Lid	1
E	1/4-20 Nylon enclosed nut (Preassembled to lid (D))	8
F	INSP314-C Clean inspection plate (Preassembled to lid (D))	1
G	SEAL314 Inspection plate seal (Preassembled to lid (D))	1
H	3 in. Plastic vent threaded flange (Preassembled to lid (D))	1
I	3 in. Discharge and vent O-ring (Preassembled to lid (D))	1
J	2 in. One-hole cord grommet (Preassembled to lid (D))	1
K	1.5 in. Reducer plate (Preassembled to lid (D))	1
L	1.5 in. Discharge O-ring (Preassembled to lid (D))	1
M	1.5 in. Plastic discharge flange (Preassembled to lid (D))	1
N	1/4-20 x 1 HHC-SS (Preassembled to lid (D))	8
O	1/4 in. Flat washer SS (Preassembled to lid (D))	8
P	SEAL 18-8 Cover seal	1
Q	1/4-20 x 1 HHC-SS	8
R	1/4 in. Flat washer	8
S	1.25 in. Plastic discharge flange	1
T	1.25 in. Discharge O-ring	1
U	1.25 in. Reducer plate	1
V	2 in. Discharge flange	1
W	2 in. Discharge O-ring	1
X	Reducer plate blank	1
Y	2 in. Plastic threaded vent flange	1
Z	E100H Rubber hub for 1 in. pipe	1
AB	E125H Rubber hub for 1-1/4 in. pipe	1
AC	E150H Rubber hub for 1-1/2 in. pipe	1
AD	E200H Rubber for 2 in. pipe	1
AE	Drill locator	1
AF	Extra 1/4-20 Nylon enclosed nuts	4

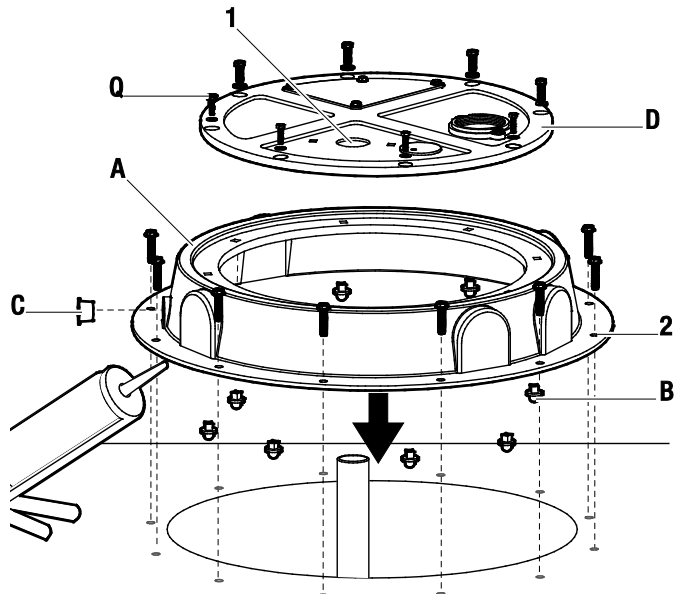
Installation

1 Preparing for installation

- Disconnect the sump's plumbing and electrical connections, allowing for reconnection after the new cover and lid are installed.
- Ensure the installation floor and surrounding area are clean and smooth. Repair any holes or cracks.

2 Installing the cover to the floor

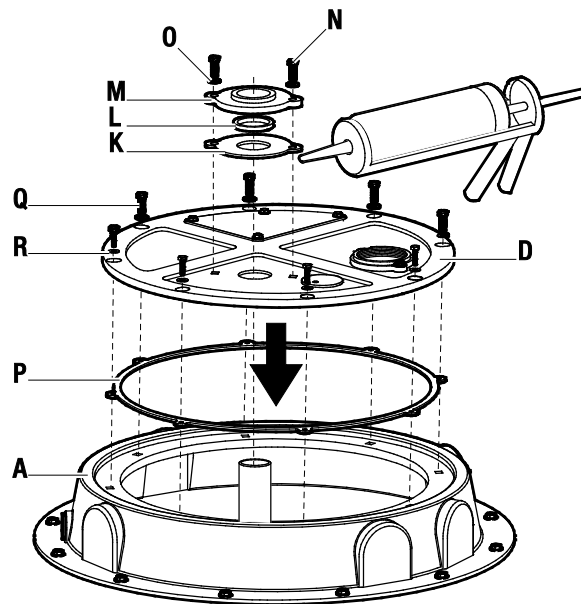
- Place the cover (A) and lid (D) in the desired position on the floor. Ensure the lid's (D) discharge opening (1) is aligned with the sump's discharge pipe and the lid bolts (Q) are aligned with the cover's (A) threaded nuts (B) (preassembled).
- Mark the concrete screw locations using the holes (2) on the cover (A) and set the cover (A) and lid (D) aside.
- Drill holes at these locations using a 3/16 in. masonry drill bit.
- Apply a generous bead of silicone caulk to the underside of the cover's (A) lower flange and anchor the cover (A) to the floor using 1/4 x 1-1/4 concrete screws (not included).
- Install the drain plug (C).



Installation (continued)

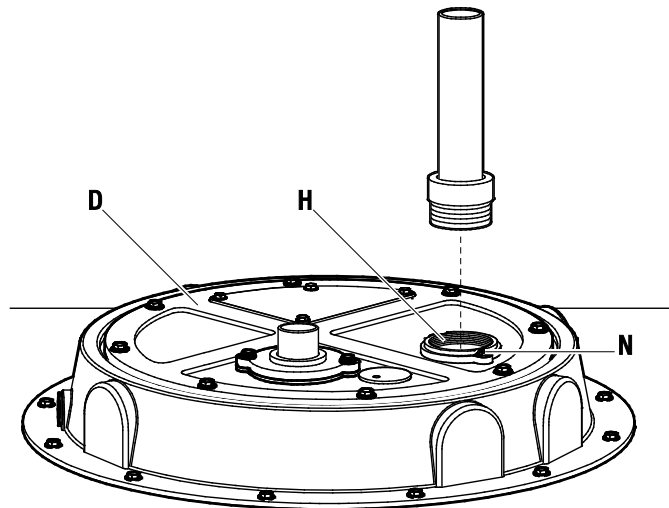
3 Installing the lid

- Pre-install the lid seal (P) onto the lid bolts (Q and R) to ease installation. Torque the bolts (Q) to 20 in.-lbs.
- Remove the discharge flange assembly (K – M) and install the lid (D) on the cover (A).
- Apply a bead of silicone caulk to the underside of the discharge flange assembly (K – M). Install the discharge flange assembly over the pump discharge pipe, sealing the bottom plate (K) to the lid (D). Torque the flange bolts (N) to 20 in.-lbs.



4 Connecting the vent piping

- Attach your vent pipe (not included) to the vent flange (H) and torque the flange bolts (N) to 20 in.-lbs. Vent the system as required pursuant to local plumbing codes and accepted plumbing practices.



Installation (continued)

5 Completing the installation

- (Optional) You can make additional openings in the cover (A) utilizing the bosses and sealing hubs (Z – AC) provided. Use the drill locator (AD) and hole saw guide below for the hub installation.
- For maximum effectiveness, apply a bead of silicone caulk to all cover, flange, and grommet sealing surfaces.

Hole Saw Guide

For Pipe	Use Hub	Hole Saw
1 in.	E100H	1-3/4 in.
1-1/4 in.	E125H	2 in.
1-1/2 in.	E150H	2-1/4 in.
2 in.	E200H	2-3/4 in.

6 Connecting the power and verifying proper operation

- Make sure that the cord grommet is properly inserted into the lid. This assures a water and gas tight seal.
- Check the pump by filling the basin with water and observe the pump's operation through one complete cycle.

EVERBILT

Questions, problems, missing parts? Before returning to the store,
call Everbilt Customer Service
8 a.m. - 7 p.m. EST, Monday - Friday and Saturday 9 a.m. - 6 p.m. EST

1-877-297-6069

HOMEDEPOT.COM

Retain this manual for future use.