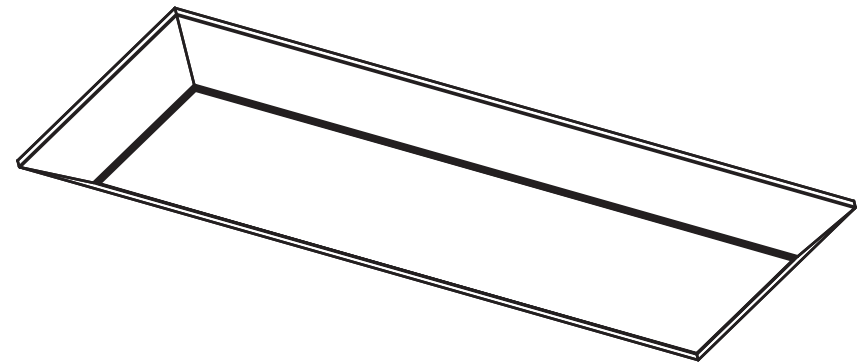




MODEL #ADLF432SNR8

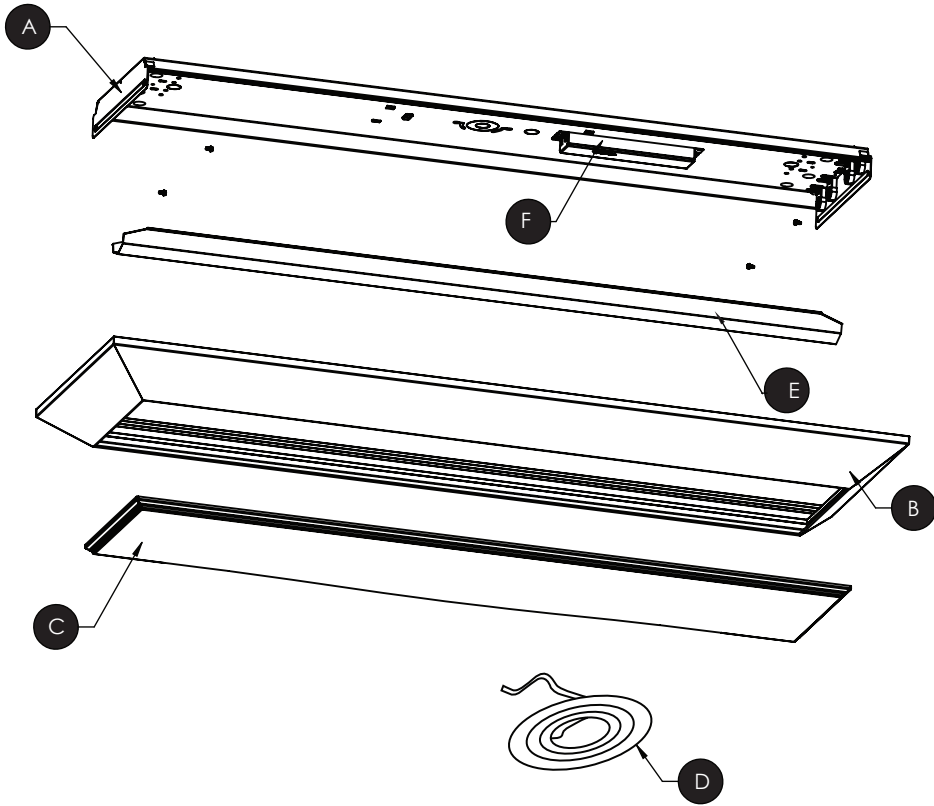
MODEL #ADLF432RBR8

4.5 FT. 4-LIGHT FLUORESCENT FIXTURE



Questions, problems, missing parts? Before returning to your retailer, call our customer service department at 1-800-873-2326, 8 a.m. - 4:30 p.m., EST, Monday - Friday

PACKAGE CONTENTS



Part	Description	Quantity
A	Fixture body	1
B	Frame	1
C	Diffuser	1
D	Gasket	1
E	Ballast cover (preassembled to Fixture body (A))	1
F	Ballast (preassembled to Fixture body (A))	1

HARDWARE CONTENTS

Part	Description	Quantity
AA	Screw	4

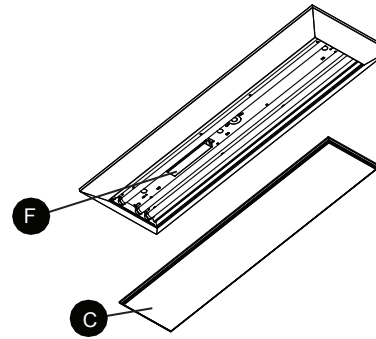


WARRANTY

Fixtures listed herein are warranted to be free from defective materials and workmanship, and that under appropriate application, installation and operating conditions and when operated at rated voltage, they will be free from failure of ballasts, lamp holders, or any component part for a period of two (2) years from date of purchase. Damage incurred in transit from handling is excluded from the terms of this warranty. This warranty extends only to replacement or repair of defective fixture or components with no labor allowance unless specifically authorized in writing from factory. This warranty gives you specific rights and you may have other rights that vary from state to state. For warranty claims call our customer service department.

REPLACEMENT PARTS LIST

For replacement parts, call our customer service department at 1-800-873-2326, 8 a.m. - 4:30 p.m., EST, Monday - Friday



Part	Description	Part #
C	Diffuser	RP-4000933
F	Ballast	2003077

CARE AND MAINTENANCE

- Periodically, dust the diffuser (inside and out) with a clean dry cloth. Wipe clean with a slightly damp cloth as needed. Never use abrasive cleansers.
- Bulb Replacement: Use (4) 32-watt linear bulbs.

TROUBLESHOOTING

Problem	Possible Cause	Corrective Action
Light fails to illuminate	1. Fixture wiring problem 2. No power or failed switch 3. Worn-out lamp(s) 4. Failed ballast	1. Check wiring for loose connections 2. Check power and switch 3. Replace lamp(s) as needed 4. Replace ballast as needed
Light flickers blinks or lights ends only	1. Fixture not properly grounded 2. Wrong lamp(s) 3. One or more failing lamps 4. Failing ballast	1. Check grounding system 2. Verify lamp is listed on ballast 3. Replace lamps as needed 4. Replace ballast as needed

SAFETY INFORMATION

WARNING

- For installation in dry or damp residential applications.
- Read all safety precautions and installation instructions carefully before installing or servicing this fixture. Failure to comply with these instructions could result in potentially fatal electric shock and/or property damage.
- It is recommended that a qualified electrician perform all wiring. This fixture must be wired in accordance with all national and local electrical codes. To reduce the risk of electrical shock, and to assure proper operation, this fixture must be adequately grounded.

CAUTION

- Instant-on 120 volt, 60Hz electronic ballast with minimum 0°F start.
- Do not handle any energized fixture or attempt to energize any fixture with wet hands or while standing on a wet or damp surface or in water.
- Disconnect electrical power before installing or servicing any part of this fixture.
- Not for use with dimmer switch of any kind.

If lamp is marked (Hg) it contains Mercury. Follow disposal laws. See www.epa.gov/bulbrecycling

PREPARATION

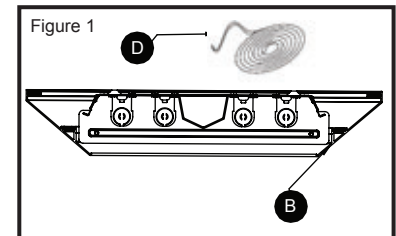
Before beginning assembly of product, make sure all parts are present. Compare parts with package contents list and diagram above. If any part is missing or damaged, do not attempt to assemble the product. Contact customer service for replacement parts.

Estimated Assembly Time: 45 minutes

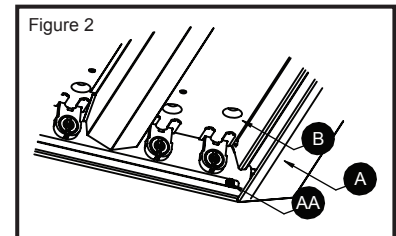
Tools Required for Assembly (not included): (2) Mounting screws or toggle bolts, (2) wire nuts, electrical tape, eye protection, Phillips screwdriver, ladder, wire cutter, pliers, wire stripper, stud finder, drill with 1/4 in. bit.

ASSEMBLY INSTRUCTIONS

1. Disconnect electrical power before installing fixture. To prevent light leaks between fixture and ceiling, attach supplied gasket (D) to frame (B), adhesive side facing frame. Follow the special instructions found in the bag containing the gasket material. (See Figure 1).



2. Locate holes on end plates of fixture body (A) and remove the 3/8" knockouts. Place fixture body (A) into frame (B) and locate the pre-drilled holes on the inside of the frame. Use screws (AA) to attach the fixture body (A) to the frame (B). (See Figure 2). **NOTE: Do not over-tighten the screws.**

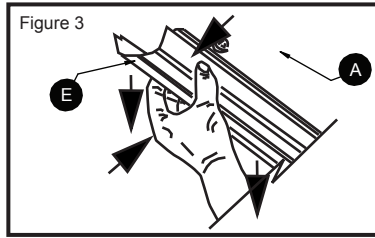


Hardware Used

AA Screw  x 4

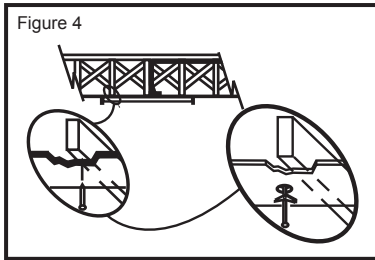
ASSEMBLY INSTRUCTIONS

3. Separate the ballast cover (E) from the fixture body (A) by squeezing it in at dimples and pulling it from the assembly. (See Figure 3).

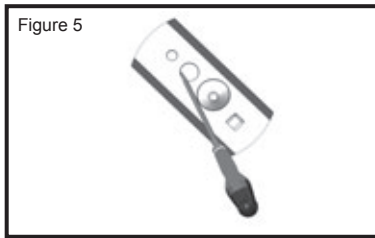


4. Locate the ceiling joists with the stud finder. Hold fixture body (A) in place and mark the holes. Drill 1/4 in holes through ceiling boards for toggle bolts (not included) if needed. Be sure that the supply wires can pass directly into the fixture body (A). (See Figure 4).

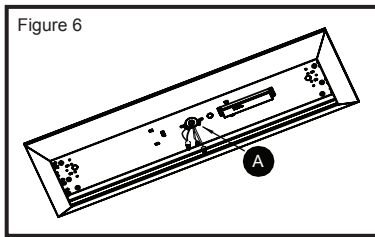
NOTE: When mounted, the mounting hardware must secure the fixture solidly to the ceiling. Screws (not included) must penetrate joists or toggle bolts (not included) must be placed through the ceiling boards.



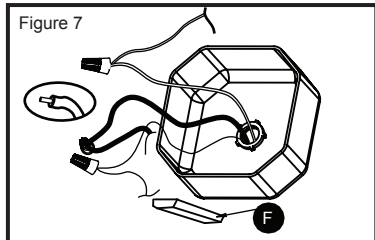
5. Remove the appropriate knockout nearest the power supply wires. Protect wires passing through hole with snap in brushing (not included). (See Figure 5).



6. Mount the fixture with appropriate mounting hardware (not included) while passing the power supply wire, the supply neutral wire and the supply groundwire from junction box or power supply through the appropriate knockout hole into the fixture body (A). (See Figure 6).

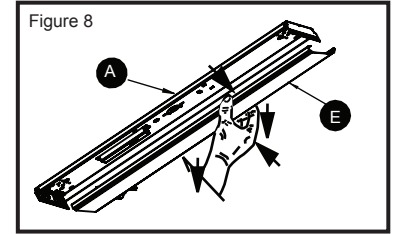


7. Use wire nut (not included) to connect white wire from ballast (F) to neutral supply wire. Strip supply wires if needed. Use wire nut (not included) to connect black wire from ballast (F) to power supply wire. Cover wire nuts and connections completely in electrical tape. Secure bare or green ground wire to green screw in the channel of fixture body (A). (See Figure 7).

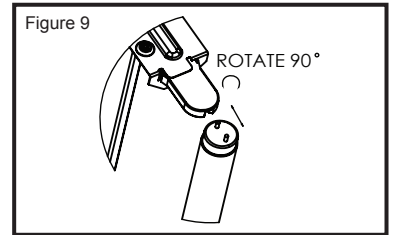


ASSEMBLY INSTRUCTIONS

8. Place ballast cover (E) onto fixture body (A). Squeeze cover and attach under dimples. **DO NOT PINCH WIRES.** (See Figure 8).



9. Install (4) 32-watt T8 bulbs (not included) into fixture. Each bulb has 2 pins on each end. Align the pins with slots and slide bulbs into place. When all 4 pins are in place, rotate 90°. (See Figure 9).



10. Install diffuser (C) by sliding one corner of the lens into a corner of the frame (B) until the short end of the diffuser is totally inside of the frame. Slide the diffuser into the frame until the other end of the lens clears the inside edge of the frame. Lower the diffuser so that it rests into the bottom of the Frame and adjust if needed. (See Figure 10). Power to the fixture can now be restored.

