



Pressure Washer User Guide



WARNING: READ THIS USER GUIDE BEFORE OPERATING THE UNIT.

The Ivation pressure washer removes loose paint, mold, grime, dust, mud, and dirt. It can be used on vehicles and surfaces such as wood decking and concrete.

This User Guide is intended to provide you with guidelines to ensure that operation of this product is safe and does not pose risk to the user. Any use that does not conform to the guidelines described in this User Guide may void the limited warranty.

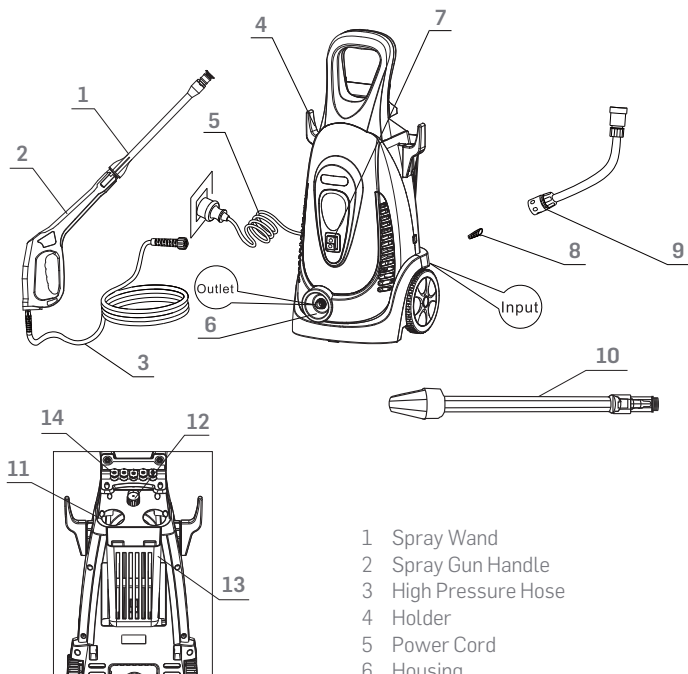
Please read all directions before using the product and retain this guide for reference.

This product is covered by a limited one-year warranty. Coverage is subject to limits and exclusions. See warranty for details.

Contents

Parts	3
Safety Precautions.....	4
Basic Operation	6
Assembly	7
Optional Filter	10
Self-suction Function.....	11
Troubleshooting Guide	12
Technical Data	14
Box Contents	14

Parts



- 1 Spray Wand
- 2 Spray Gun Handle
- 3 High Pressure Hose
- 4 Holder
- 5 Power Cord
- 6 Housing
- 7 Power Switch
- 8 Input Water Filter
- 9 Water Input Hose (not included)
- 10 Turbo wand
- 11 Gun Plug Hole
- 12 Detergent Input
- 13 Basket
- 14 Onboard Nozzle Storage

Safety Precautions



Do not use the appliance with flammable or toxic liquids, or any products that are not compatible with the correct operation of this appliance. EXPLOSION OR POISONING HAZARD



Do not direct the water jet toward the unit itself, electrical parts or equipment, or power outlets. ELECTRIC SHOCK HAZARD




Do not direct the water jet toward people or animals. Keep people and animals a minimum of 16 yards away. INJURY HAZARD

 Do not touch the plug or socket with wet hands. ELECTRIC SHOCK HAZARD

 Do not allow children or impaired persons to use the appliance. INJURY HAZARD

 Do not use the appliance outdoors in the rain. SHORT CIRCUIT HAZARD


 Do not use the appliance if the electrical cord is damaged. ELECTRIC SHOCK AND SHORT CIRCUIT HAZARD

 Do not use the appliance if any of its components, electrical parts, high pressure hose, or safety mechanisms are damaged. EXPLOSION AND ELECTRIC SHOCK HAZARD

 Do not jam the trigger in the open position. ACCIDENT HAZARD

 Do not tamper with or attempt to adjust safety valves, settings, or mechanisms. EXPLOSION HAZARD


 Do not alter the original diameter of the spray head nozzles

 Make sure the high pressure hose is free is unobstructed and away from sharp objects.

 Do not move the appliance by pulling electrical cable. SHORT CIRCUIT AND ELECTRIC SHOCK HAZARD

 Do not leave the appliance unattended. ACCIDENT HAZARD

 Do not move the appliance by pulling the high pressure hose. EXPLOSION HAZARD

 When directed towards tires, tire valves or other pressurized components, the high pressure jet is potentially dangerous. Do not use the rotating nozzle kit, and always keep the jet at a distance of at least 12 feet away. EXPLOSION HAZARD

Do not use this appliance to clean fragile objects. DAMAGE HAZARD

Check that the electrical supply voltage and frequency correspond to those specified on the appliance data plate.





Connect only to an adequate power supply in compliance with all applicable regulations. Use only with GFCI (Ground Fault Circuit Interrupter) outlets. ELECTRIC SHOCK AND SHORT CIRCUIT HAZARD


Do not use the appliance after drinking alcohol, taking medication, or if you are tired and not alert.

 Do not direct water jet towards weakened or fragile structures. DAMAGE HAZARD

 Use only extension cords with waterproof plug and socket.

 Do not pull the power cord.

 **WARNING!** The intake water temperature must not exceed 104°F/40°C. The water supply pressure must not exceed 0.7 MPa.

 **IMPORTANT!** When the trigger is released, water stops flowing through the pump. The motor automatically turns off to protect the pump from overheating. Operation will resume when the trigger is re-engaged.

Before starting up your machine, please check it carefully for any defects. If you find any, do not start up your machine. Contact the manufacturer.

 Do not operate the machine if the power cord or other components are damaged.


Use this appliance only for its intended purpose.

CAUTION: High pressure may cause the machine to rebound. Take appropriate measures to protect yourself from slipping.

Do not wear loose clothing or jewelry while operating the unit.

It is strongly advised that the operator wear safety glasses, protective rubber gloves, protective headwear, ear protectors, and non-slip, protective footwear.


    Use only with cleaning agents that are recommended for use with power washers. Never use with corrosive, toxic, or flammable liquids.

 To avoid unintentional starting, do not carry the plugged-in machine with your finger on the trigger. Make sure the switch is off before plugging in the machine.

 Stand on a dry, level surface when operating the unit. Do not lay down or tilt the machine.


 Use only the nozzles and components supplied.

 Always switch the machine off before disconnecting it from the power source.


 Always unplug the machine when it is not in use.

Store the unit in a cool, dry environment. Do not place in areas prone to high humidity or temperature extremes.

Before operating the unit, always check that the screws AND CONNECTORS are tightened and that no parts are broken, worn, or missing.

 This machine is not meant to pump hot water. Never connect it to a hot water supply.

Do not use water that is dirty, gritty or contains any chemical products.

 Do not cover or modify the spray wand or the spray nozzles in any way.

The operating temperature must be between 32° F (0° C) and 104° F (40° C).

In the event of a problem, or if pausing operation: Switch the unit off and unplug it. Relieve pressure by pulling trigger gun. Shut off the water supply and disconnect the hose.

Basic Operation

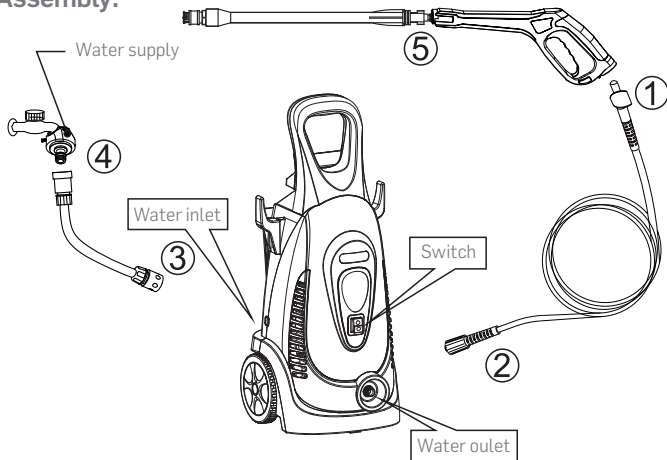
To Start Operation

1. Place the machine in its upright position on a flat, stable, level surface.
2. Check the water entry filter to make sure it is free of blockage.
3. If using detergent, use a product specifically designed for power washers. Use with the foaming nozzle ONLY.
4. Connect the desired nozzle to the spray wand -- or use the turbo wand without an interchangeable nozzle -- and the wand to the spray gun handle. Make sure the nozzle is firmly connected to the spray wand before using to avoid injury or property damage from highly pressurized water.
5. Connect the gun handle to the high pressure hose.
6. Make sure the hose is not coiled or twisted.
7. Connect the hose to the water output on the front of the machine.
8. Connect your water supply hose to the water entry of the machine.
9. Connect other end of the supply hose to water source.
10. Press the gun trigger and turn on the water to expel the air inside the machine.
11. Plug in and turn on the machine.
12. Hold the gun firmly.
13. CAUTION: High pressure may cause the machine to rebound.

To Stop Operation

1. Turn off the power switch.
2. Shut off the water supply.
3. Unplug the unit.
4. Disconnect garden hose.
5. Press the trigger and discharge all residual water from the nozzle.
6. Engage the gun safety catch.
7. Drain any detergent and wash out the tank.
8. Store the unit in a cool, dry environment. Do not place in areas prone to high humidity or temperature extremes. (Ambient temperature should be between 32°F - 90° F).
9. The unit may be treated with non-corrosive, non-toxic antifreeze before storing it away for winter.

Assembly:



Recommended Process:

(1) Hose to gun → (2) hose to water outlet → (3) water inlet hose to quick connector attaching to unit → (4) water inlet hose to tap → (5) spray wand to gun. Set the wand to low pressure step. Open the tap and trigger the gun to remove the air in the unit. Connect to power. Turn on the appliance. Set to high pressure.



Locked position: locking button on the side of the handle protrudes; trigger is locked.



Locking button pressed in; trigger is unlocked.



Connect pressure hose to gun handle. Lock in place by sliding the switch on the bottom to the left as shown.



To unlock, push the switch to the right as shown.



To connect nozzle to high pressure hose: Pull down the metal collar on the hose. Insert the nozzle. Make sure the nozzle clicks in firmly.



Release the collar.



Attach wand to gun handle by firmly pushing in and then turning clockwise.



Unscrew the cap on the built-in tank and add detergent. Follow detergent manufacturer's instructions.



Connect the high pressure hose to the outlet port in the front of the unit by pushing the hose in and turning the screw collar to secure.



Connect your garden hose to the water input port in the back of the unit.

Optional Filter

Use if you have hard water and other water conditions. Please read the following instructions carefully.

1. Take filter out of bag, open the transparent tube and take the seal ring out.



2. Place the seal ring into the cap as shown and reconnect the tube.



Seal

3. Find the input screw shown below.



4. Take off the cover on the input tube.



5. Connect the filter in picture 2 to the input tube. In picture 4.



6. Attach the input screw in picture 3 to the other end of the filter.



7. Connect the Input hose to the input screw.



Note: Clean the filter frequently.

Self-suction Function

This function permits the pressure washer to pump standing water from a well, tank, basin or other source, and will work when the water level is approximately 1 – 1.5m (39 – 59 inches) high. If the machine will not pump after 1 minute, turn it off and check if:

The inlet hose is submerged

The water level is less than 1.5m high

The hose, wand or filter is blocked

The nozzle is producing too much pressure

Note: Water flow will be slower than when unit is connected to a running water supply.

Troubleshooting Guide

PROBLEM	PROBABLE CAUSE	SOLUTION
Pump does not reach working pressure	Nozzle worn	Replace nozzle
	Water filter fouled	Clean filter
	Water supply pressure low	Turn on the water supply tap fully
	Air being sucked into system	Check tightness of hose fittings
	Air in Pump	Switch off the appliance and keep depressing and releasing the gun trigger until the water comes out in a steady flow. Switch the appliance back on again
	Adjustable nozzle not positioned correctly	Turn the adjustable nozzle
	Thermostatic valve tripped	Wait for correct water temperature to be restored
Pressure drops during use	Water intake from external tank	Connect appliance to the mains water supply
	Intake water too hot	Reduce temperature
	Nozzle clogged	Clean nozzle
	O-ring to one-way valve broken	Replace the broken component
	Intake filter dirty	Clean filter
Motor "sounds" but fails to start	Insufficient power supply	Check that the voltage of the mains power supply line is the same as that on the plate
	Voltage loss due to use of extension cable	Check characteristics of extension cable
	Appliance not used for long period of time	Contact your nearest Authorized Service Centre
	Problems with TSS device	Contact your nearest Authorized Service Centre
Water leakage	Seals worn	Have the seals replaced at your nearest Authorized Service Centre
	Safety valve tripped and discharging	Contact an Authorized Service Centre
Appliance noisy	Water too hot	Reduce temperature (see technical data)

PROBLEM	PROBABLE CAUSE	SOLUTION
Oil leakage	Seals worn	Contact your nearest Authorized Service Centre
TSS versions only	Nozzle clogged	Clean nozzle
	High pressure system or pump hydraulic circuit not watertight	Contact your nearest Authorized Service Centre
TSS versions only: appliance works intermittently	Safety valve soften or nozzle clogged	Clean the nozzle or contact your nearest Authorized Service Centre
No water out when triggering the gun	Nozzle clogged	Clean the nozzle
No detergent taken in	Adjustable nozzle on high pressure setting	Make sure you are using the (black) foam nozzle
	Detergent too dense	Dilute with water
	High pressure hose extension being used	Fit original hose
	Deposits or restriction in detergent circuit	Flush with clean water and eliminate any restrictions. If the problem persists, contact an Authorized Service Centre

Technical Data

Motor: Brush 1900W

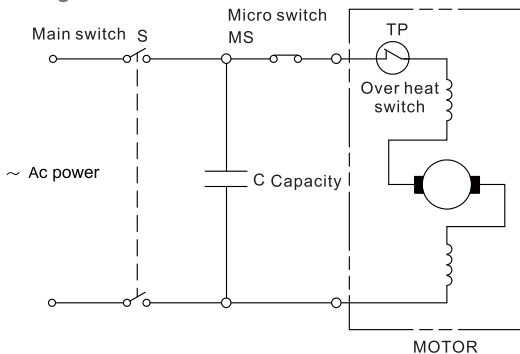
Maximum Pressure: 150bar (2200psi)

Flow: 7.0L/min (1.8gpm)

Voltage/Frequency: 110-240V, ~/50Hz

G.W/N.W: 14.3/13.3Kg

Electrical Diagram of Brush Motor



Box Contents

Item	Quantity	Item	Quantity
Pressure Washer	1	Storage Basket	1
Gun Handle	1	0° Nozzle	1
Spray Wand	1	15° Nozzle	1
Turbo Wand	1	25° Nozzle	1
Cleaning Pin	1	40° Nozzle	1
Cord Holder	1	Foam Nozzle	1
Hose Holder	1		

Distributed by
C & A Marketing
2 Bergen Turnpike
Ridgefield Park, NJ 07660
info@myivation.com

Made in China
Ivation is a trademark of
C&A IP Holdings, LLC
©2015 All right reserved