

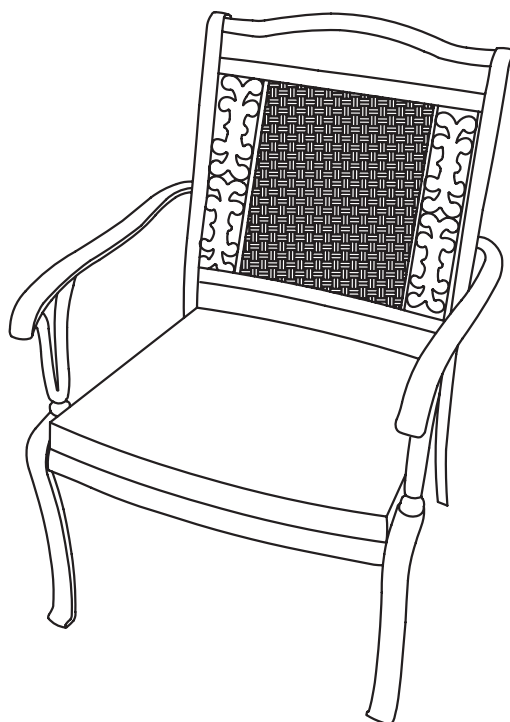
MARTHA STEWART TM
LIVING



Item #608-982/602-847
Model #DYFLO-7PC
DYFLO-009-D

USE AND CARE GUIDE

FLOURISH DINING CHAIR



Questions, problems, missing parts? Before returning to the store,
call Martha Stewart Living Customer Service
8 a.m. - 6 p.m., EST, Monday-Friday

1-877-527-0313

HOMEDEPOT.COM/MARTHASTEWARTLIVING

THANK YOU

We appreciate the trust and confidence you have placed in Martha Stewart Living through the purchase of this dining chair. We strive to continually create quality products designed to enhance your home. Visit us online to see our full line of products available for your home improvement needs. Thank you for choosing Martha Stewart Living!

Table of Contents

Table of Contents	2	Assembly	5
Warranty	2	Care and Cleaning	6
5 Year Frame, 1 Year Weave, and Fabric Warranty.....	2		
What is Covered.....	2		
What is Not Covered.....	2		
Pre-Assembly	3		
Planning Assembly.....	3		
Hardware Included.....	3		
Package Contents.....	4		

Warranty

5 YEAR FRAME, 1 YEAR WEAVE, AND FABRIC WARRANTY

WHAT IS COVERED

We warrant the frame to be free of manufacturing defects to the original purchaser for five years and the fabric and weave for one year.

WHAT IS NOT COVERED

It remains the customer's responsibility for freight and packaging charges to and from our service center. This warranty does not cover commercial use, hardware, acts of nature, fire, freezing, or abusive use. In addition, purchased parts are not covered under this warranty. We reserve the right to make substitutions with similar merchandise, if the model in question is no longer in production.

Contact the Customer Service Team at 1-877-527-0313 or visit www.HomeDepot.com/MarthaStewartLiving.

Pre-Assembly

PLANNING ASSEMBLY

Please read this entire instruction manual prior to assembly.

Identify all parts packed in the carton against the parts list. Remove all protective materials and place the parts on a non-abrasive surface to avoid scratching.



NOTE: More than one person may be required to complete the assembly of this product.

HARDWARE INCLUDED



NOTE: Hardware not shown to actual size.



AA



BB



CC



DD

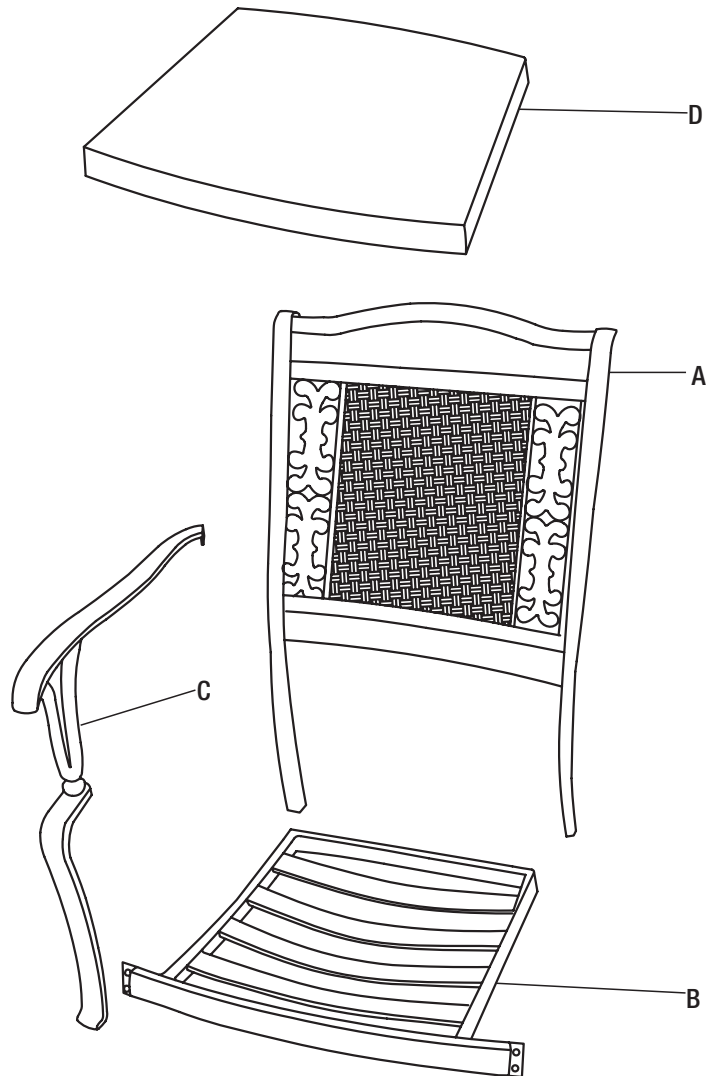


EE

Part	Description	Quantity
AA	M6*18 Hex bolt	4
BB	M6*28 Hex bolt	4
CC	M6 Washer	8
DD	Hex Wrench	1
EE	M6 Spring Washer	8

Pre-Assembly (continued)

PACKAGE CONTENTS

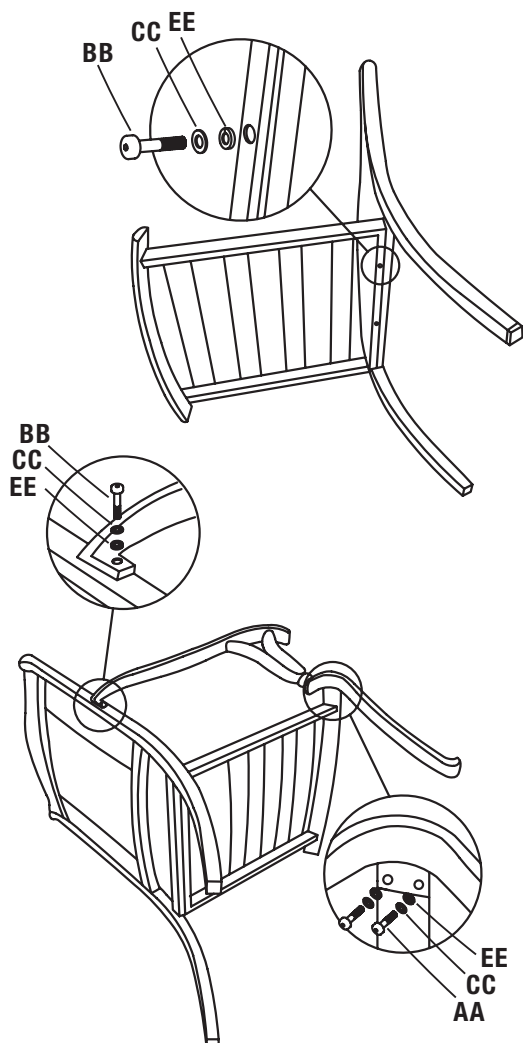


Part	Description	Quantity
A	Chair Back	1
B	Seat	1
C	Arm	2
D	Seat Cushion	1

Assembly

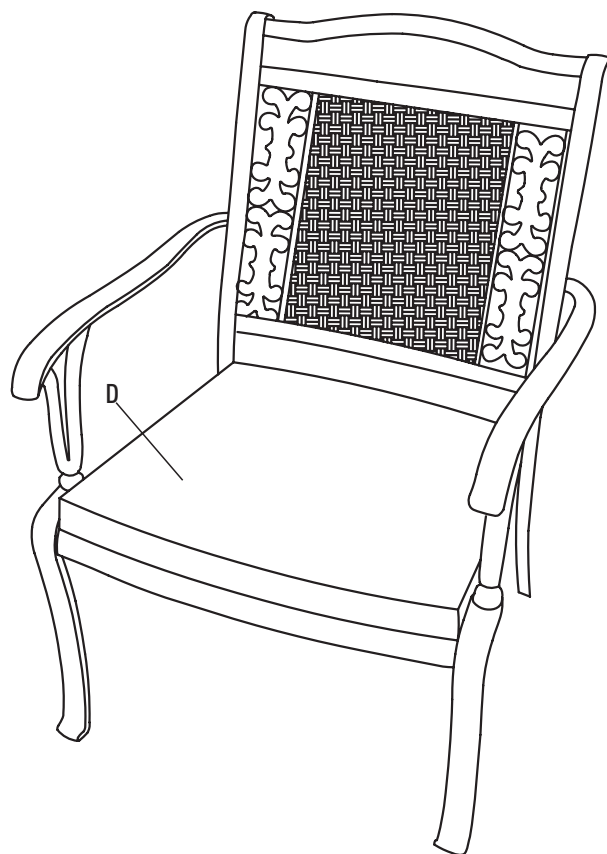
1 Attaching the seat and arms

- Place the seat frame (B) and chair back (A) on a soft, flat, non-abrasive surface. Attach the chair back (A) to the seat frame (B) using two hex bolts (BB) and washers (CC) and spring washer (EE).
- Attach the arms (C) to the seat frame (B) using four hex bolts (AA) and washers (CC) and spring washers (EE).
- Attach the arms (C) to the chair back (A) using two hex bolts (BB) and washers (CC) and spring washer (EE). Securely tighten all of the bolts with the Hex wrench (DD).



2 Finishing assembly

- Turn the chair over, and place the seat cushion (D) onto the chair.
- The chair is now ready for use.



Care and Cleaning

- Do not allow water to build up in the frames. This will cause corrosion and possible freezing damage in cold climates.
- Use a mild soap and water for normal cleaning. Do not use janitorial or alcohol-based cleaners. Some cleaners may be marked as natural, but some ingredients may cause discoloration or have an adverse reaction to your finish.
- Rinse with clean water and dry with a soft, absorbent cloth towel.
- Treat frames with a liquid wax for maximum protection against UV rays and/or salty, damp air.

MARTHA TM STEWART LIVING



Questions, problems, missing parts? Before returning to the store,
call Martha Stewart Living Customer Service
8 a.m. - 6 p.m., EST, Monday Friday

1-877-527-0313

HOMEDEPOT.COM/MARTHASTEWARTLIVING

Retain this manual for future use.