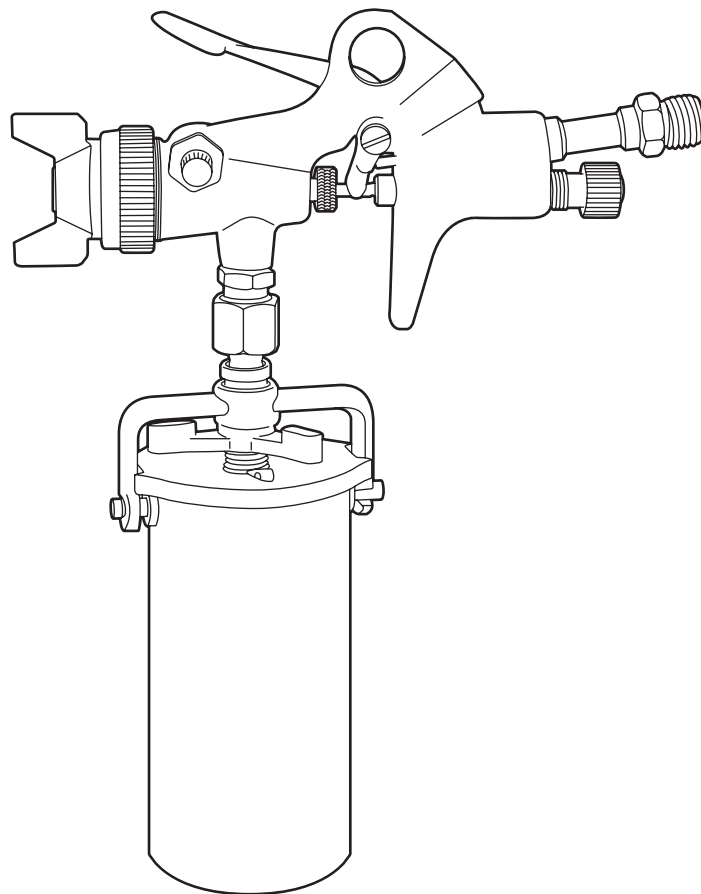




Item #100 054 880
Model #M308

USE AND CARE GUIDE

TOUCH-UP SPRAY GUN



Questions, problems, missing parts? Before returning to the store,
call HDX Customer Service
8 a.m. - 6 p.m., EST, Monday - Friday

1-800-514-6729

HOMEDEPOT.COM/HDX

THANK YOU

We appreciate the trust and confidence you have placed in HDX through the purchase of this spray gun. We strive to continually create quality products designed to enhance your home. Visit us online to see our full line of products available for your home improvement needs. Thank you for choosing HDX!

Table of Contents

Safety Information	2	Pre-Operation	5
Important Safety Precautions	2	Planning Operation	5
Work Area Safety	2	Specifications	5
Personal Safety	2	Recommended Setup for Pneumatic Tools	5
Specific Safety Precautions	3	Tools Required (not included)	5
Air Tool Precautions	3	Operation	6
Tool Use And Care Precautions	4	Maintenance	8
Warranty	4	Disposing of the Tool	8
1 Year Limited Warranty	4	Troubleshooting	8
What Is Covered	4	Service Parts	9
What Is Not Covered	4		

Safety Information

IMPORTANT SAFETY PRECAUTIONS

Please read and understand all instructions in this manual before use. Retain this manual for future reference.



WARNING: Read and understand all instructions before using this tool. The operator must follow basic precautions to reduce the risk of personal injury and / or damage to the equipment. Before allowing someone else to use this tool, make sure they are aware of all safety information.



WARNING: The warnings, cautions and instructions discussed in this instruction manual cannot cover all possible conditions and situations that may occur. Common sense and caution are factors that cannot be built into this product, but must be supplied by the operator.

NOTICE: Keep this manual for the safety warnings, precautions and operating, inspection and maintenance instructions. When this manual refers to a part number, it refers to the included parts list.

WORK AREA SAFETY



WARNING: Do not use in the presence of flammable gases or liquids.



WARNING: Keep anyone not wearing the appropriate safety equipment away from the work area.



WARNING: Always lock up tools and keep them out of the reach of children.



CAUTION: Minimize distractions in the work environment. Distractions can cause you to lose control of the tool.



CAUTION: Operate in a safe work environment. Keep your work area clean and well lit.



CAUTION: Store the tool properly in a safe and dry location to prevent rust or damage.

PERSONAL SAFETY



CAUTION: Wear protective equipment approved by the Canadian Standards Association (CSA) or American National Standards Institute (ANSI) when using the tool.



CAUTION: Dress properly, wear protective equipment. Use breathing, ear, eye, face, foot, hand, and head protection. Always wear ANSI approved impact safety goggles, which must provide both frontal and side protection. Protect your hands with suitable gloves. Protect your head from falling objects by wearing a hard hat. Wear an ANSI approved dust mask or respirator when working around chemical dusts and mists. Wear ANSI approved earplugs. Protective, electrically nonconductive clothes and non-skid footwear are recommended when working. Wear steel-toed boots to prevent injury from falling objects.



CAUTION: Control the tool, personal movement and the work environment to avoid personal injury or damage to the tool. Stay alert, watch what you are doing and use your common sense.



CAUTION: Keep articles of clothing, jewelry, hair, etc., away from moving parts to avoid entanglement with a tool.



CAUTION: Do not operate any machine / tool when tired or under the influence of drugs, alcohol or medications.



CAUTION: Do not overreach when operating a tool. Proper footing and balance enables better control of a tool in unexpected situations.

Safety Information (continued)

SPECIFIC SAFETY PRECAUTIONS



WARNING: Toxic vapors produced by spraying certain materials can create intoxications and serious damage to health. Always wear protective eye wear, gloves and a respirator to prevent the toxic vapors, solvents and paint coming in contact with your eyes or skin.



WARNING: When using indoors, always make sure that the area is well ventilated.



WARNING: Do not allow the spray to strike you and do not spray toward people or animals. Do not spray the tool itself or any electrical sources.



WARNING: In order to eliminate the potential sources of fire, turn off the air compressor, all other appliances and spark or flame sources while mixing paint.



WARNING: Never use oxygen, combustible or any other bottled gas as a power source. Any power source other than an air compressor could cause an explosion and serious personal injury.



WARNING: When spraying, ensure that there are no sources of ignition such as open fire, cigarettes, cigars and pipe, spark, glowing wires, or hot surfaces in the area.



CAUTION: Use clamps or other practical ways to secure and support the work piece to a stable platform. Holding the work piece by hand or against your body is unstable and may lead to loss of control.



CAUTION: To minimize vapors in the spray area and eliminate all potential for spilling in the spray area:

- Tightly recap all containers immediately after mixing and store away from the spray areas.
- Do not operate the HVLP paint gun in the presence of open containers or spillage.
- Make sure all vapors have dispersed prior to turning the air compressor on.



CAUTION: Observe the wind direction when using the HVLP paint gun outdoors. When working indoors, ensure that there is sufficient ventilation.



CAUTION: Disconnect the tool from the air supply hose before performing any maintenance and during non-operation. The use of a ball valve is recommended.



CAUTION: Never use homogenate hydrocarbon solvent, which can chemically react with the aluminum and zinc parts.

AIR TOOL PRECAUTIONS



WARNING: Extended exposure to air tool noise may cause hearing loss. Ear protection gear can reduce or eliminate the noise level.



WARNING: Inspect the tool's air line for cracks, fraying or other faults before each use. Discontinue use if the air line is damaged or hissing is heard from the air line or connectors, while operating the tool. Replace the defective component/air line.



WARNING: Do not allow people, mobile equipment or vehicles to pass over the unprotected air line. Position the air line away from high traffic areas, in a reinforced conduit or place planks on both sides of the air line to create a protective trench.



WARNING: Prevent damage to the air line by observing the following:

- Never carry the tool by the air line.
- Keep the air line behind the tool and out of the tool's work path.
- Keep the air line away from heat, oil, sharp edges or moving parts.
- Do not wrap the air line around the tool as sharp edges may pierce or crack the air line. Coil the air line when storing.



WARNING: A damaged or disconnected air line under pressure may whip around and inflict personal injury or damage the work area. Secure the compressor's air line to a fixed or permanent structure with clamps or cable ties.



WARNING: Install an in-line shutoff valve or regulator to allow immediate control over the air supply in an emergency, even if a hose is ruptured.



WARNING: Some dust created by power sanding, sawing, grinding, drilling, and other construction activities contain chemicals known (to the State of California) to cause cancer, birth defects, or other reproductive harm. Some examples of these chemicals are: lead from lead-based paints, crystalline silica from bricks and cement or other masonry products, arsenic and chromium from chemically treated lumber. Your risk from these exposures varies, depending on how often you do this type of work. To reduce your exposure to these chemicals: work in a well-ventilated area and work with approved safety equipment, such as those dust masks that are specifically designed to filter out microscopic particles (California Health & Safety Code 25249.5, et seq.).

Safety Information (continued)

TOOL USE AND CARE PRECAUTIONS



CAUTION: Use the correct tool for the job. Maximize tool performance and safety by using the tool for its intended task.



CAUTION: Do not modify this tool or use for a purpose for which it was not designed.



CAUTION: This tool was designed for a specific function.

Do Not:

- a. Modify or alter the tool; all parts and accessories are designed with built-in safety features that may be compromised if altered.
- b. Use the tool in a way for which it was not designed.



CAUTION: Securely hold this tool using both hands. Using tools with only one hand can result in loss of control.



CAUTION: Maintain tools with care. Keep tools clean and in good condition for a better and safer performance. Follow instructions for changing accessories. Inspect tool fittings, alignment and hoses periodically and, if damaged, have them repaired by an authorized technician or replaced. The handles must be kept clean, dry and free from oil and grease at all times. A properly maintained tool is easier to control.



CAUTION: Avoid unintentional starts. Be sure that the trigger switch is in the neutral or OFF position when not in use and before connecting it to any power source. Do not carry the tool with fingers near or on the switch.



CAUTION: Disconnect the main plug from the air compressor when not in use, before servicing, and when changing accessories on the tool or changing the paint canister.

Warranty

1 YEAR LIMITED WARRANTY

WHAT IS COVERED

If within one year from the date of purchase, this HDX air tool product fails due to a defect in materials or workmanship, immediately contact the Customer Service Team at 1-800-514-6729. Do not return the air tool to the store. Please be prepared to send the product, postage prepaid, to the address provided by the Customer Service Team. The package must also include a copy of the dated first owner purchase receipt with the air tool model included and circled. The month/year of manufacture of the air tool must also be included to determine warranty. A defective product will be promptly replaced with a new one of equal or greater value. This warranty gives you specific rights, and you may also have other rights, which vary from state to state.

WHAT IS NOT COVERED

This warranty excludes incidental/consequential damages and failures due to misuse, abuse, or normal wear and tear. To the extent permitted by applicable law, all implied warranties, including warranties of merchantability or fitness for a particular purpose, are disclaimed. Any implied warranties, including warranties of merchantability or fitness for a particular purpose, that cannot be disclaimed under state law are limited to one year from the date of purchase. HDX is not responsible for direct, indirect, incidental, special, or consequential damages. Some states do not allow limitations on how long an implied warranty lasts and/or do not allow the exclusion or limitation of incidental or consequential damages, so the above limitations may not apply to you.

Contact the Customer Service Team at 1-800-514-6729 or visit www.HomeDepot.com/HDX.

Pre-Operation

PLANNING OPERATION

Carefully remove the tool from the package.

- Retain packing material until you have carefully inspected and satisfactorily installed or operated the tool.
- Inspect the parts carefully to make sure the tool was not damaged while shipping.

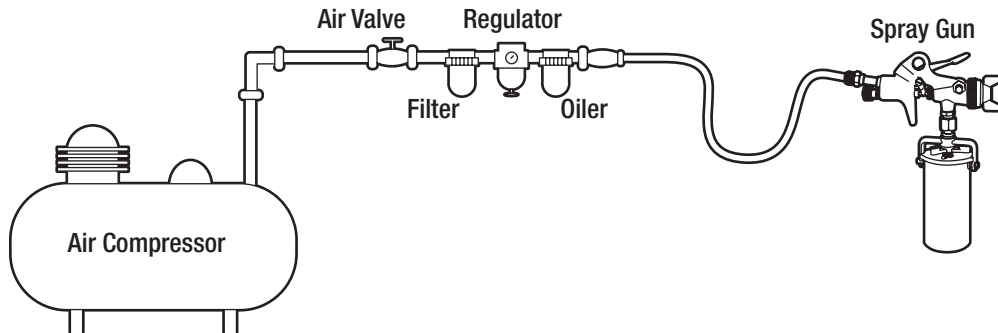
SPECIFICATIONS

Operating Pressure	45 to 60 PSI
Max. Pressure	70 PSI
Air Consumption	4.0 CFM @ 45 PSI, 4.8 CFM @ 60 PSI
Air Inlet	1/4 in.18 NPS
Nozzle Size	1.8 mm
Cup Capacity	200 ml
Cup Material	Aluminum

RECOMMENDED SETUP FOR PNEUMATIC TOOLS



NOTE: When connecting to the air supply: Prior to each use, if an automatic oiler is not used, add two drops of air tool oil (not included) into the air inlet fitting of the spray gun. Add a few more drops after each hour of continual use. An oiler, regulator, and inline filter should be incorporated into the air system for best results.



TOOLS REQUIRED (NOT INCLUDED)



Thread Sealant Tape

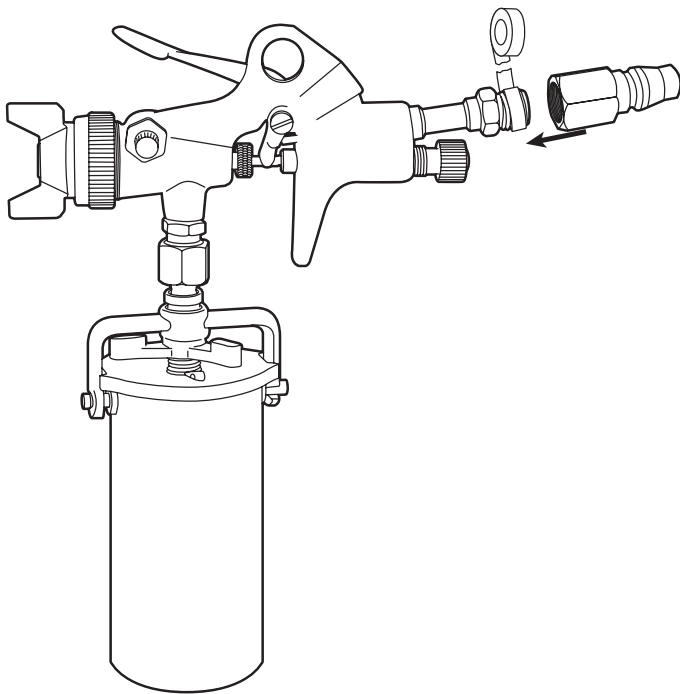


1/4 in. NPS Female Connector

Operation

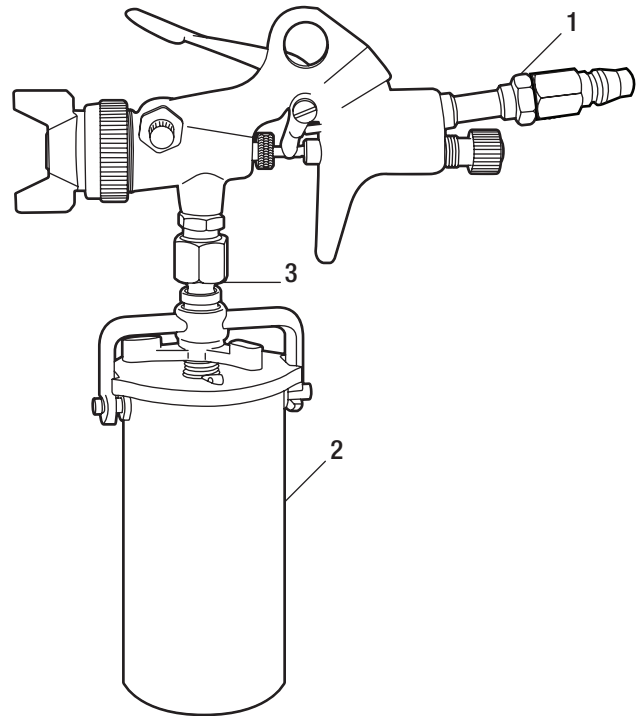
1 Attaching a quick coupler

- Wrap the external threads of the air inlet with sealant tape (not included). Wrap tape in a clockwise direction so it will not unravel. Do not tape all the threads. Leave several leading threads unwrapped for easier alignment.
- Screw the female connector onto the tool's air inlet and tighten with a wrench until snug.
- Run the compressor at a low volume and check the connection for air leaks. Do not use the tool until all air leaks are repaired or the faulty component is replaced.



2 Connecting the spray gun

- Firmly connect an air hose to the female connector on the air inlet (1).
- Connect a fluid hose or the provided cylinder (2) to the fluid inlet (3).
- Flush the gun fluid passage with a compatible solvent to ensure a clean passage for the fluid.
- Pour paint into the container.
- On a scrap piece of material, do a test spray and adjust the fluid output as well as the pattern width. See step 4 for additional information.



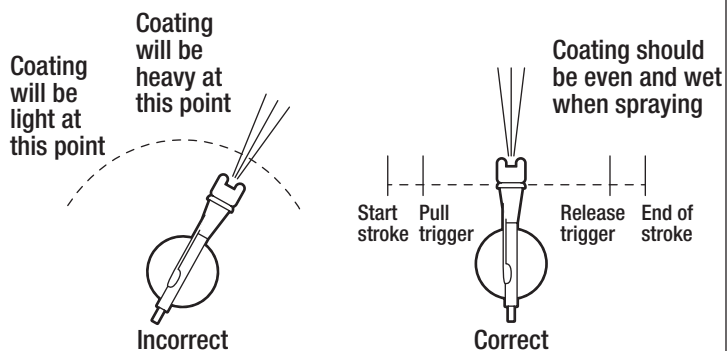
Operation (continued)

3 Using the spray gun



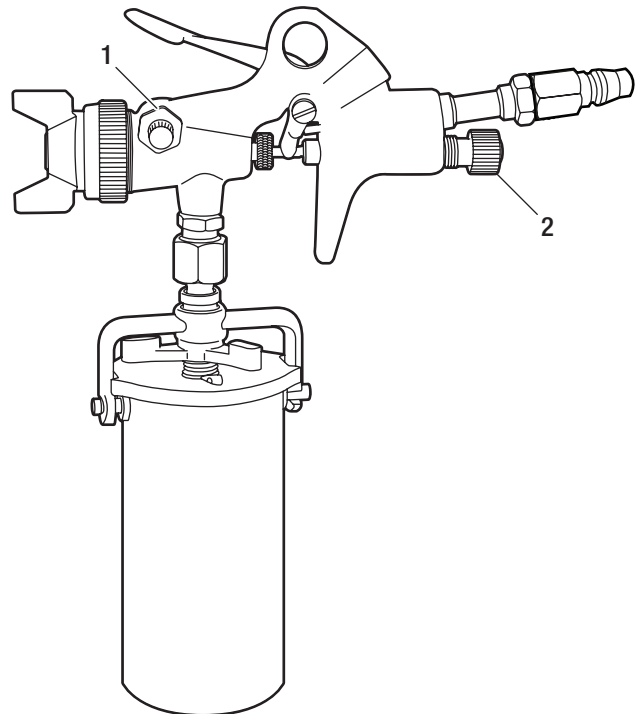
CAUTION: Recommended paint viscosity differs according to paint property and painting conditions. The proper handling of the gun allows you to achieve the desired paint coating.

- Set the appropriate distance of 6 in. to 8 in. from the gun to the work piece, according to the atomization pressure and work demand.
- Grip the gun, keeping it perpendicular to the surface of the work piece at all times. Move the gun in a straight horizontal line.



4 Adjusting the pattern and fluid

- To adjust the pattern, turn the pattern adjustment knob (1) clockwise. The spray pattern is round. Turn the knob (1) counterclockwise for a fan-shaped spray pattern.
- To adjust the fluid, turn the fluid adjustment knob (2) clockwise to decrease the fluid output. Turn the knob (2) counterclockwise to increase the fluid output.



Maintenance

- Flush the gun thoroughly with solvent.
- Do not submerge the paint gun into solvent.
- Clean clogged holes with solvents or other liquids. Plugged holes should never be dislodged with improper objects, as the smallest amount of damage may badly influence the spray pattern.
- Slightly oil movable parts.

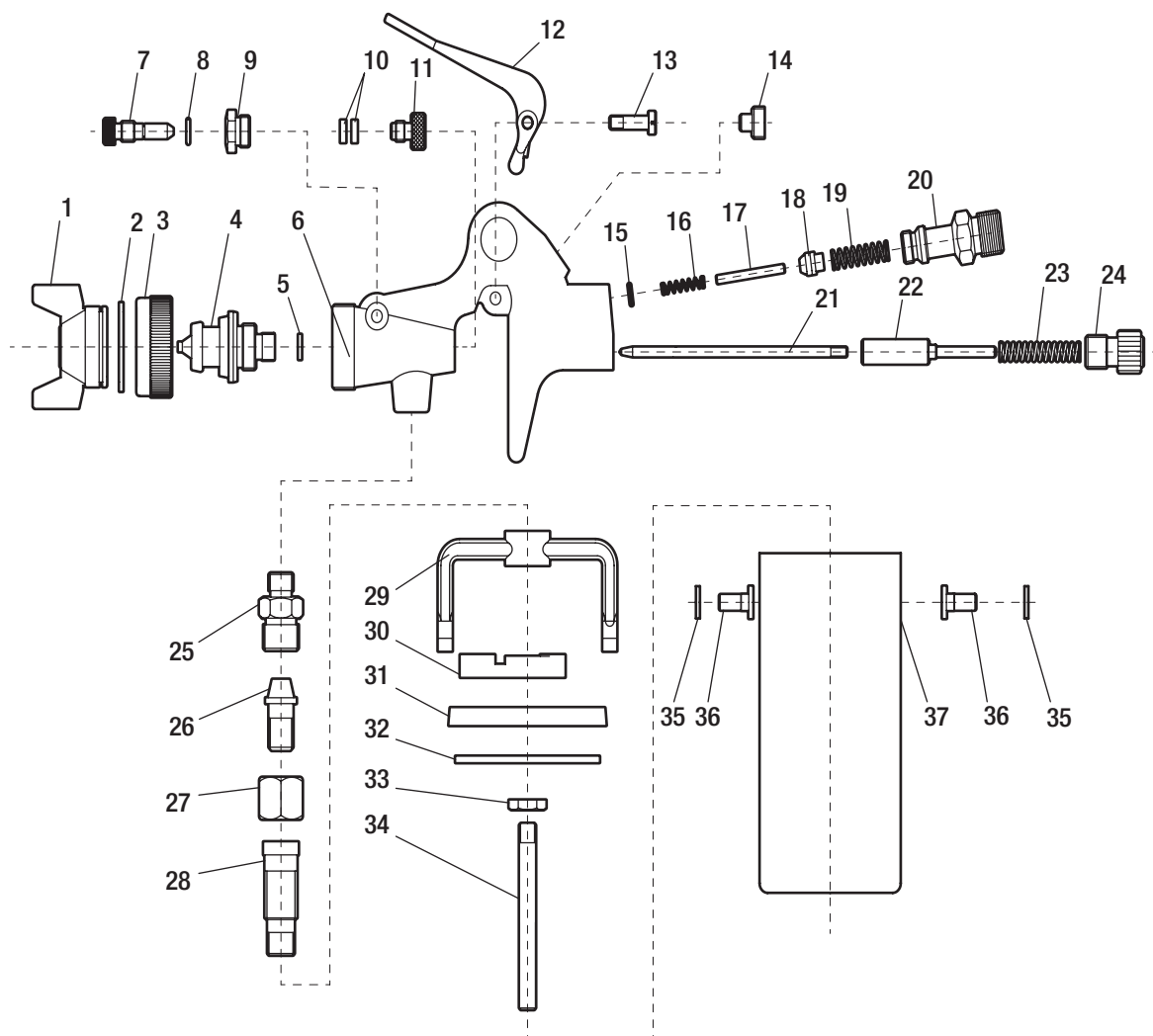
DISPOSING OF THE TOOL

If your tool has become damaged beyond repair, do not throw it out. Take it to the appropriate recycling facility.

Troubleshooting

Problem	Probable Causes	Suggested Solutions
The spray is intermittent.	There is air in the paint circuit.	<ul style="list-style-type: none"> <input type="checkbox"/> Tighten the nozzle using the wrench provided. <input type="checkbox"/> Ensure the tank is empty. <input type="checkbox"/> Check that the connecting hole is not obstructed. <input type="checkbox"/> Tighten the gland screw or replace the gasket if worn.
The pattern is arched.	<ul style="list-style-type: none"> <input type="checkbox"/> Material residue in the holes is obstructing the passage of material. <input type="checkbox"/> The nozzle is dirty or malfunctioning. <input type="checkbox"/> The atomization cap is dirty or damaged. 	<ul style="list-style-type: none"> <input type="checkbox"/> Submerge the head in solvent. <input type="checkbox"/> Clean and open all closed holes with a jet of compressed air. <input type="checkbox"/> Do not use pointed metal objects, or you may deform the hole of the nozzle.
The spray pattern is uneven.	<ul style="list-style-type: none"> <input type="checkbox"/> Material is built up on the outside of the fluid nozzle tip or the center hole or there is a partially clogged nozzle orifice. <input type="checkbox"/> The fluid nozzle is loose. 	<ul style="list-style-type: none"> <input type="checkbox"/> Clean the head and the nozzle. <input type="checkbox"/> Make sure that the centering between the head and the nozzle is precise. <input type="checkbox"/> Check that the tip of the pin is not damaged. <input type="checkbox"/> Replace the nozzle and the head.
The center of the pattern is too narrow.	<ul style="list-style-type: none"> <input type="checkbox"/> Atomization of the air pressure is too high. <input type="checkbox"/> Material is too thin. 	Reduce the quantity of air and increase the flow of paint.
Poor atomization. The spray is concentrated into the center.	The flow of the paint is greater than the pressure and quantity of air supplied.	<ul style="list-style-type: none"> <input type="checkbox"/> Clean the head and the nozzle. <input type="checkbox"/> Make sure that the paint is not too dense and dilute if necessary.
There is little to no paint output.	<ul style="list-style-type: none"> <input type="checkbox"/> The fluid passage is clogged with dirt. <input type="checkbox"/> Air holes in the cover are blocked. <input type="checkbox"/> The fluid needle stroke is too small. 	<ul style="list-style-type: none"> <input type="checkbox"/> Remove obstructions. <input type="checkbox"/> Adjust the fluid needle stroke.

Service Parts



Part	Description	Quantity
1	Air cap	1
2	Air cap retainer ring	1
3	Air cap ring	1
4	Fluid nozzle	1
5	Nozzle gasket	1
6	Gun body	1
7	Patern adj. screw	1
8	O-ring	1
9	Patern adj. seat	1
10	Valve sealed washer	2 pcs
11	Direction screw	1
12	Trigger	1
13	Trigger lever	1

Part	Description	Quantity
14	Screw plug	1
15	O-ring	1
16	Valve spring	1
17	Valve needle	1
18	Valve plastic	1
19	Valve spring	1
20	Air inlet joint	1
21	Fluid needle	1
22	Needle seat	1
23	Needle spring	1
24	Needle adj. screw	1
25	Fluid inlet joint	1

Part	Description	Quantity
26	Cup connector	1
27	Hex-nut	1
28	Suction pipe connector	1
29	Cover bridge	1
30	Lock wrench	1
31	Pot lid	1
32	Pot lid gasket	1
33	Hex-nut	1
34	Suction pipe	1
35	Rivet sheath	2 pcs
36	Rivet	2 pcs
37	Pot	1



Questions, problems, missing parts? Before returning to the store,
call HDX Customer Service
8 a.m.-6 p.m., EST, Monday-Friday

1-800-514-6729

HOMEDEPOT.COM/HDX

Retain this manual for future use.