



port•a•COOL®

portable evaporative cooling units

Owners Manual For All Electric Models

PORT•A•COOL

JETSTREAM®



PORT•A•COOL
HURRICANE



PORT•A•COOL
CYCLONE®



READ AND SAVE THESE INSTRUCTIONS



port•a•COOL®

portable evaporative cooling units

READ AND SAVE THESE **INSTRUCTIONS**

FOR ELECTRIC MODELS

PAC2K482S, PACHR3600, PAC2K361S, PAC2K363S, PAC2K36HPVS, PAC2K24HPVS, PAC2K16HPVS, PAC2K163SHD, PAC163SVT, PACJS1600, PACJS2400, PAC2KCYC01, PAC2KCYC01A, PACCYC02, PACCYC02A, PACCYC03, PACCYC03A, PACCYC04, PACCYC04A

INCLUDES EXPORT MODELS

PACCYC01-22050, PACCYC01-22060, PACCYC01-22050A, PACCYC01-22060A, PACJS160022050, PACJS160022060, PACJS240022050, PACJS240022060, PAC161SVT22050, PAC161SVT22060, PACCYC02-22050, PACCYC02-22060, PACCYC02-22050A, PACCYC02-22060A, PAC2K16HP-22050, PAC2K16HP-22060, PAC2K24HP220-50, PAC2K24HP220-60, PAC2K362S220-50, PAC2K36HP220-50, PAC2K36HP220-60, PAC2K481S220-50, PAC2K481S220-60

CONTENTS:

QUICK SETUP GUIDE	page 1
UNIT OVERVIEW	pages 2-10
SET UP AND OPERATION	pages 2-4
OVERVIEW BY UNIT	pages 5-10
MAINTENANCE AND STORAGE	page 11
TECHNICAL SUPPORT AND WARRANTY	page 12
TROUBLESHOOTING	pages 13-17
FREQUENTLY ASKED QUESTIONS	pages 18-20
EXPLODED VIEWS	pages 21-32
WIRING DIAGRAMS	pages 33-37

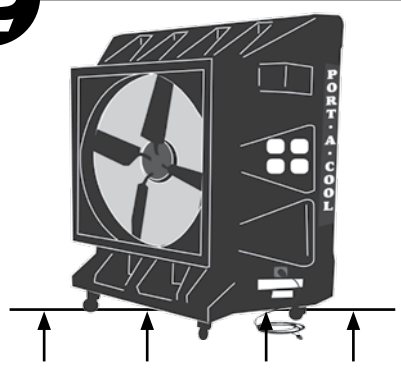
QUICK SET UP GUIDE

1



Remove box and pallette

2



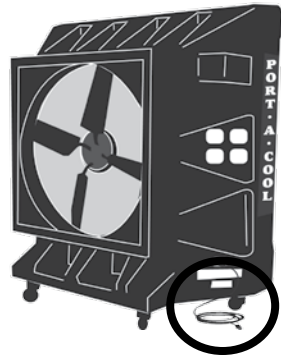
Position unit on level surface

3



Fill sump or attach water hose

4



Plug unit into appropriate outlet

5

For setup, pads should appear wet before starting the fan. Check the water gauge* (see instructions for model setup in this manual) to monitor water level in tank.

* Water gauge is not applicable to all models

Fill the tank then turn on the pump switch and the fan.



SAFE OPERATION

To reduce the risk of electric shock, fire or injury:

- Do not operate any unit with a damaged cord or plug. Discard unit or return to an authorized service facility for examination and/or repair.
- Do not run cord under carpeting. Do not cover cord with throw rugs, runners, or similar coverings. Arrange cord away from traffic area where it will not be tripped over.
- Read instructions and labels carefully.
- Always unplug the electric cord to the Port-A-Cool unit before performing inspections or repairs.
- Plug into three-prong grounded GFCI protected electrical receptacle only.
- Do not operate if there is any damage to the plug or cord.
- Do not step on or roll over power cord with heavy or sharp objects.
- Do not operate unit unless all pads are securely in place.
- Remove the plug from the electrical receptacle by pulling on the plug and not the cord.
- Test the GFCI receptacle or breaker monthly to ensure it is functioning properly.
- Do not operate near open containers of flammable liquids or gases.
- Ensure evaporative cooler pumps are running continuously to saturate and wet combustible media when used in close proximity to open flame or spark producing activities. A distance of at least 35 feet away from open flame or sparks is recommended to ensure safe operation.
- Never wash the unit cabinet with a garden hose; water may harm the motor and electrical system.
- If the unit is damaged or it malfunctions, do not continue to operate it. Refer to the warranty, troubleshooting or FAQ section, call Port-A-Cool, LLC, Technical Support at 1-888-266-5243, or email support@port-a-cool.com.

UNIT OVERVIEW

SETUP

Unpacking the PORT-A-COOL® unit.

PORT-A-COOL® units are shipped completely assembled. The PAC2K482S, PAC2K361S, PACHR3600, PAC2K363S, PAC2K36HPVS, PAC2K24HPVS, PAC163SVT, PACJS1600, PACJS2400, PAC2KCYC01, PAC2KCYC01A, PACCYC04, and PACCYC04A models ship on a plastic pallet with a cover box strapped over the unit. Cut the straps and remove the box by lifting it over the unit. Remove the protective plastic dust cover and lift the unit off the pallet.

Models PAC2K163SHD, PAC2K16HPVS, PACCYC02, PACCYC02A, PACCYC03, and PACCYC03A are shipped in an enclosed corrugated box and need only to be removed from the box.

Connecting the water and electricity.

Water Connection

PORT-A-COOL® UNIT MUST BE IN UPRIGHT AND LEVEL POSITION

Locate the brass hose adapter on the side of the PORT-A-COOL® unit (all models except PAC163SVT) near the water adjustment and drain valves. Verify that the hose washer is in position and in good condition. Attach a standard garden hose to the brass hose adapter and tighten to preclude leaks. Turn water on to fill the sump tank.

On models equipped with a manual water fill and sight tube, the water tank in the lower portion is designed to be filled at a remote location and can be used without a water hose connected. Simply fill the lower tank using the sight tube as a gauge.

**UNIT IS EQUIPPED WITH 50 PSI WATER REGULATOR. DO NOT BYPASS.
WATER INLET PRESSURE SHOULD NOT EXCEED 50 PSI MAXIMUM**

Visually inspect water connections for leaks and verify that the connections are secure. Remove the pads by following the instructions in this owners manual. Once the sump tank is filled, the water flow should cease and the inlet connections may now be visually checked for leaks. All of these inspections have been performed at the factory but shipping may have caused connections to loosen. Replace the pads by reversing the removal operation.

Electrical Connection

PORT-A-COOL® UNIT MUST BE IN UPRIGHT POSITION WITH COOLING PADS INSTALLED!

All models utilize a single power cord and control switches. Before connecting the plug to an outlet, ensure that there is no standing water where the cord may lie or the operator is standing. The use of separate multiple outlet devices are not recommended.

When making electrical connections, ensure that local and national codes are adhered to. Use only with GFCI Protected Receptacles. Please refer to the [Barcode Product Label](#) on the side of the unit for specific electrical requirements.

OPERATING PROCEDURES

Specifications

Each PORT-A-COOL® unit has its own set of operational specifications, sizes, weights, voltage, frequency, current requirements, etc. Please ask for the specifications for your model from your distributor, check the serial number plate, or visit www.port-a-cool.com for the specifications for your Port-A-Cool® unit.

Placement of the PORT-A-COOL® unit.

PORT-A-COOL® UNITS SHOULD BE USED IN WELL-VENTILATED AREAS ONLY

There are three primary considerations when deciding where to place the PORT-A-COOL® unit.

- 1) Fresh Air Supply - If used indoors, the inlet side of the PORT-A-COOL® unit (pad side) should be placed near a fresh air supply, like a door or window, to ensure that a smooth, uninterrupted supply of fresh air is available.
- 2) Air Pattern - The cool air discharged from (fan side) the PORT-A-COOL® unit should have a clear area in which to circulate, being as free of obstructions as possible.
- 3) Ventilation - When positioned so that a fresh air supply is pushed through the inlet or pad side of the unit, a second source of fresh air should be utilized for expulsion of the cooled air. This is to prevent the unit from recirculating air that has already been through the cooling process and provides the optimal environment for the unit to produce the most efficient cooling.

A primary consideration when deciding where to place the PORT-A-COOL® unit is the direction of the airflow. The PORT-A-COOL® unit creates a fan-shaped air pattern that disburse the air over a large area. This pattern may be disturbed or broken up by obstacles such as shelves, work benches, etc. It is important to ensure that a clean, unbroken path for the air from the unit is provided to the maximum extent possible.

It may be desirable to raise the PORT-A-COOL® unit above any low obstructions in order to increase the overall coverage. When raising the height, ensure that the platform constructed for holding the unit is stable, well constructed, and will not allow the unit to tip over. The unit must be level and in the upright position. When supporting with a platform, allow for the full weight of a functioning unit by including the weight of the water, both in the sump tank and the added weight of the water saturated cooling pads. The total weight could be in excess of 500 lbs. (227 kg.).

When the PORT-A-COOL® unit is placed near a wall or other obstruction, it is recommended that a distance of at least 3 feet (0.9 meters) from the wall or obstruction to the face of the cooling pads be maintained. This allows the unrestricted flow of warm air to the cooling pad side of the unit. When using multiple units in close proximity, be sure to aim the unit so that the air flows complement each other and not oppose. Opposition will negate the airflow and allow an area of dead air to accumulate between units.

Starting the pump and adjusting the water flow

CAUTION - DO NOT RUN PUMP WHEN SUMP IS DRY

Once the sump tank is full, moving the pump switch to the “ON” position will turn on the pump.

When initially turning on the pump, the level in the sump will drop suddenly and restart the flow of supply water. This is a normal condition, as the cooling pads require a large amount of water for proper wetting.

When the PORT-A-COOL® unit is new, the new pads will require an initial ‘breaking-in’ period. This period is required for the pads to begin readily absorbing water. It may require up to a week to achieve maximum efficiency.

It is important to ensure that the spray bar is properly adjusted when first starting the water flow in the PORT-A-COOL® unit. Increasing the flow using the SPRAY BAR ADJUSTMENT valve on the side of the unit makes this adjustment.

Proper water adjustment should leave the pads saturated with water, but not flooded. Pads should appear wet, however, cascading amounts of water can actually reduce cooling efficiency. Proper adjustment will prevent problems and increase cooling capacity.

When turning the unit off at the end of the day or week, the pump should be turned off about 15 minutes before the unit to allow the cooling pads to dry. This will increase the life of the pads.

Starting the unit

COOLING PADS MUST BE INSTALLED AND CASTER LOCKS MUST BE ENGAGED

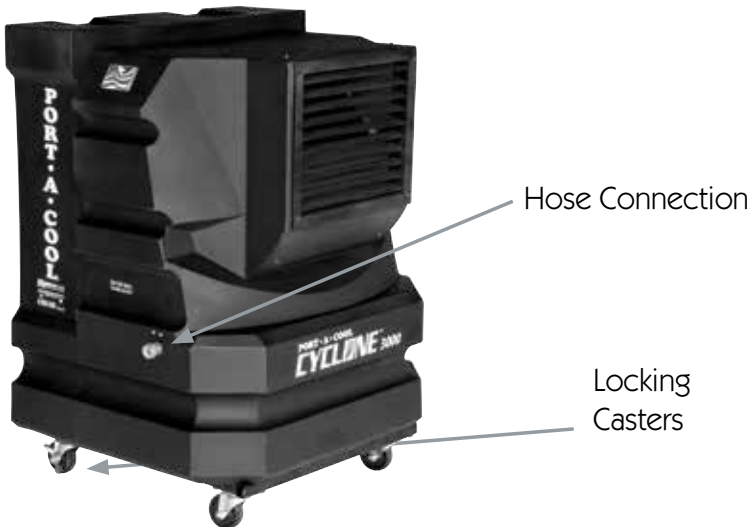
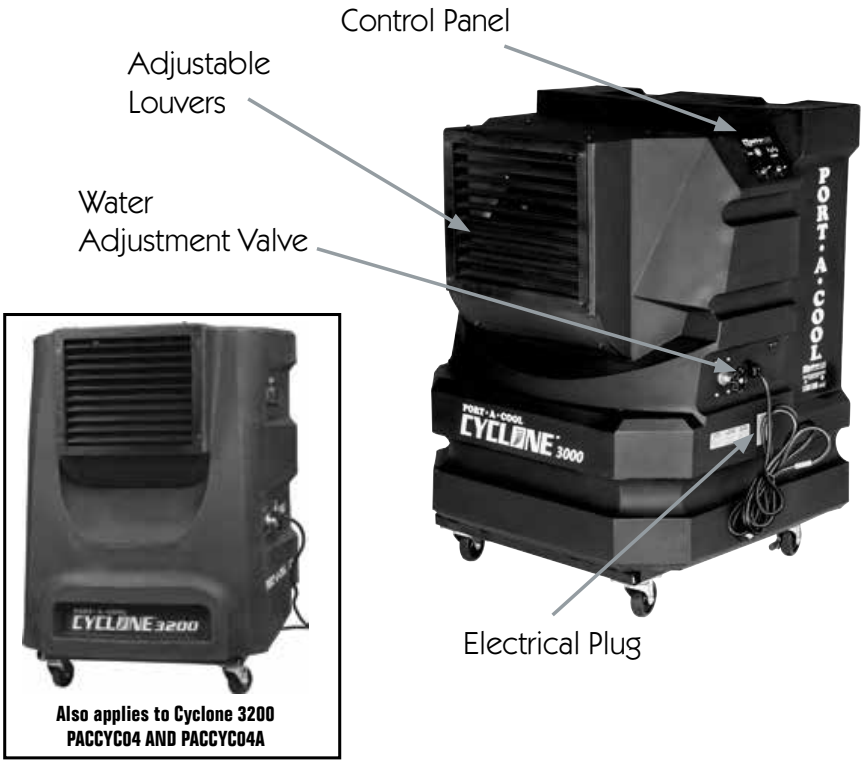
Start the fan by turning the fan switch to the ‘ON’ position, or to one of the available speeds on the multi-speed models. On the multi-speed model, it is preferred to step slowly through the speeds allowing the fan to obtain its full speed at the LOW speed before going to MEDIUM and before going to HIGH.

UNIT OPERATION WARNINGS

- 1) Not intended for use by children
- 2) Not intended for use by persons with reduced physical, sensory or mental capabilities
- 3) Not intended for use by persons with lack of experience and knowledge, unless they have been given instruction and are supervised during operation
- 4) Children should be supervised to ensure that they do not play with the appliance

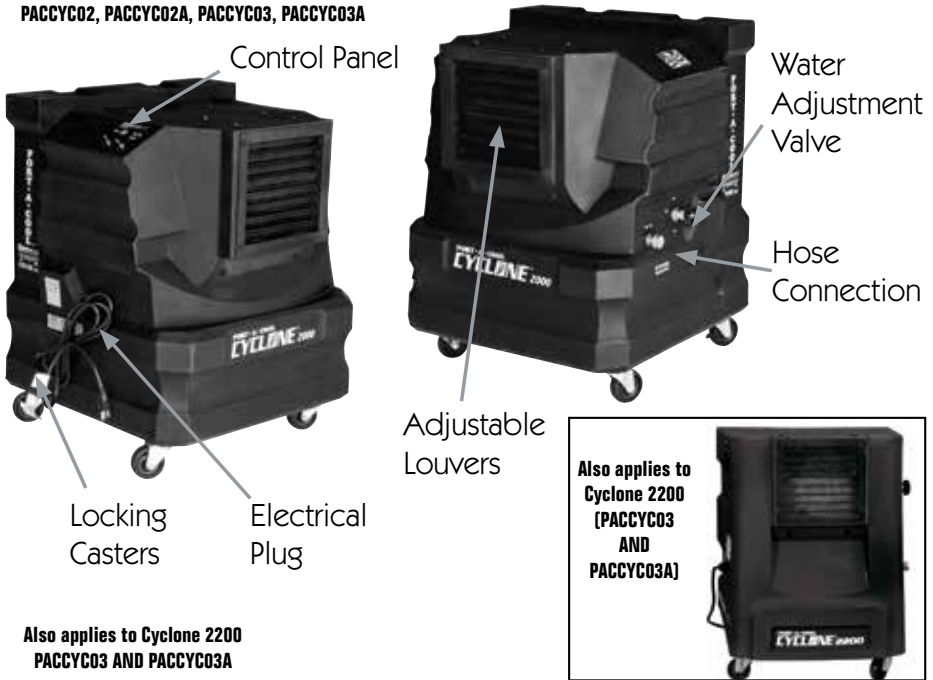
PORT-A-COOL CYCLONE[®] 3000 UNIT OVERVIEW

PAC2KCYCD1, PAC2KCYC01A, PACCYC04, PACCYC04A

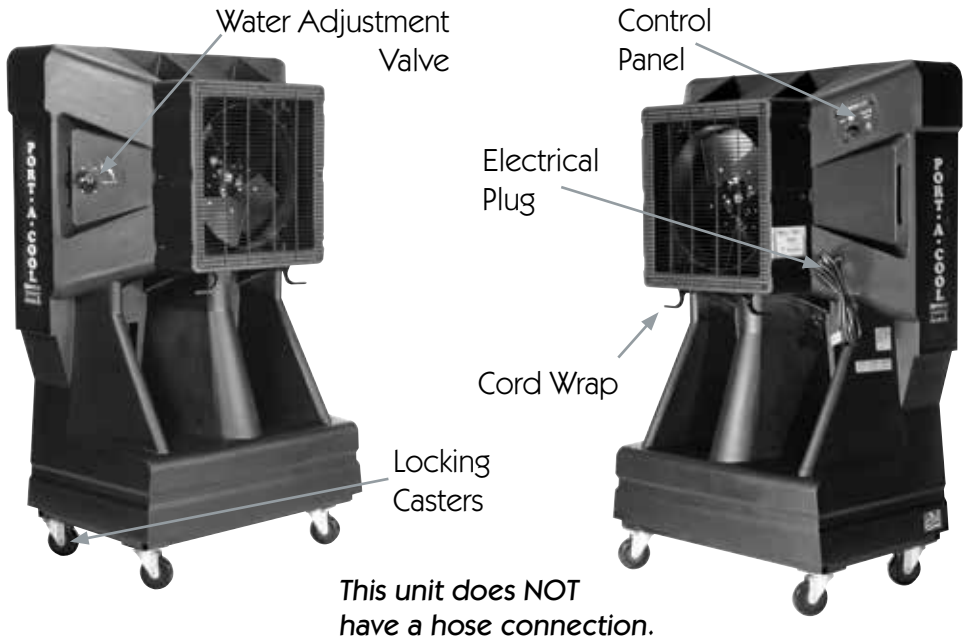


PORT-A-COOL CYCLONE[®] 2000 UNIT OVERVIEW

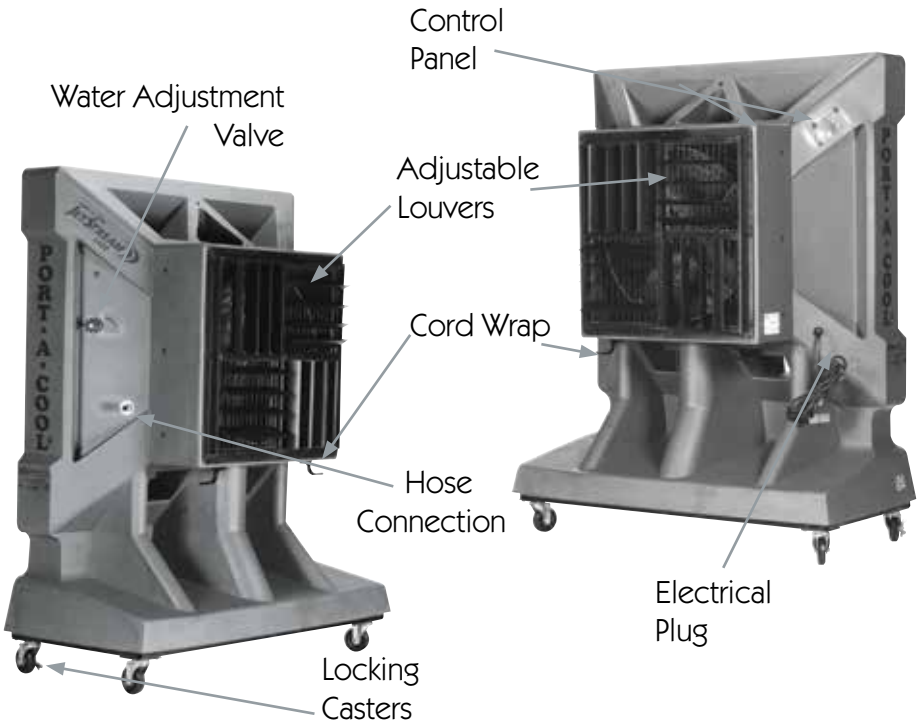
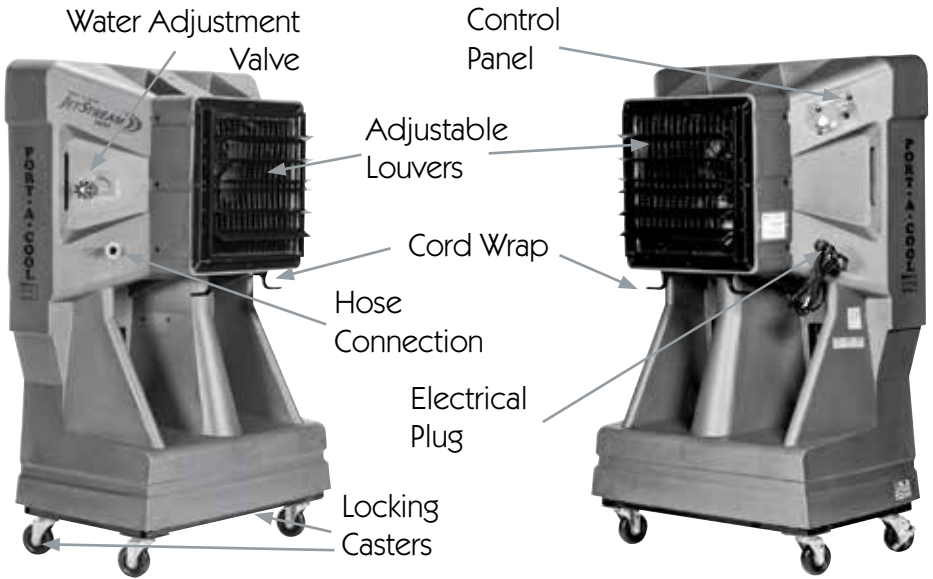
PACCCY02, PACCCY02A, PACCCY03, PACCCY03A



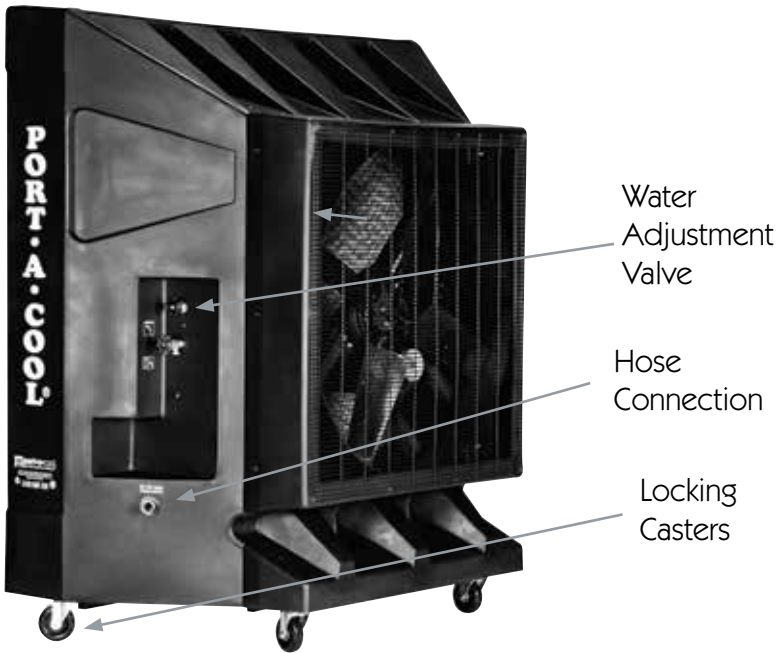
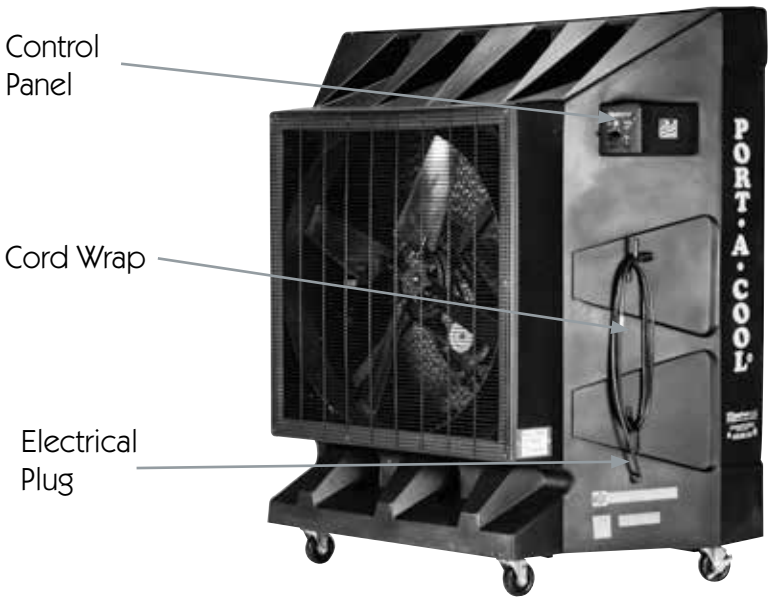
16" VERTICAL TANK UNIT OVERVIEW



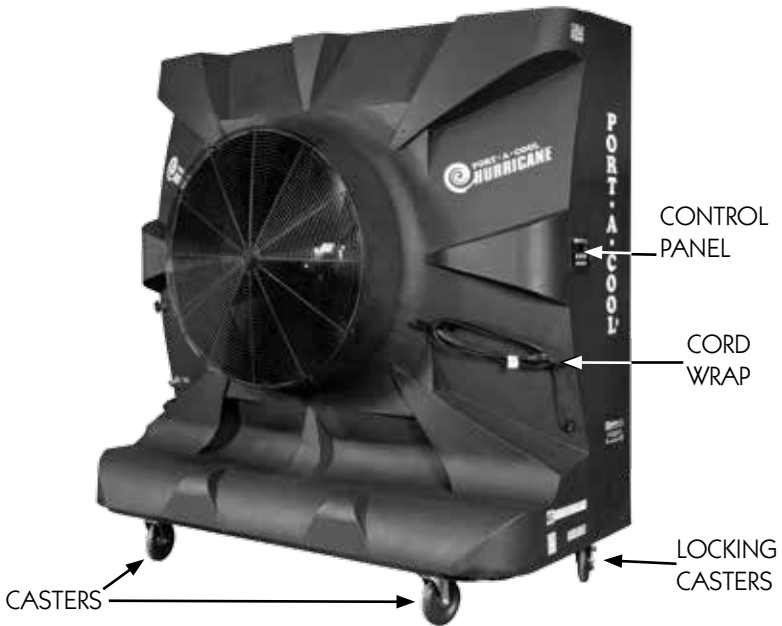
PORT-A-COOL JETSTREAM® UNIT OVERVIEW



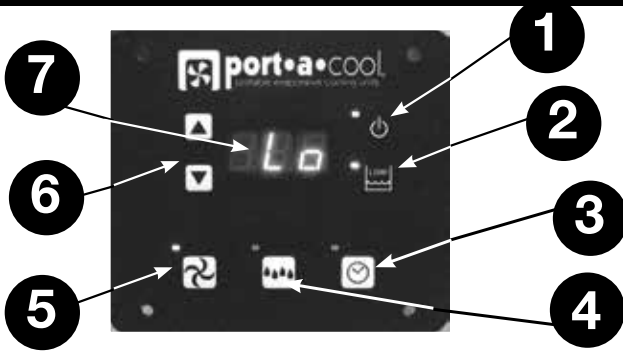
PORT-A-COOL® UNIT OVERVIEW



PORT-A-COOL® HURRICANE UNIT OVERVIEW



HURRICANE® 3600 USER INTERFACE



The user interface includes touch sensitive buttons for operation of the Port-A-Cool Islander. The user interface also includes status indicator LEDs and a 7-segment LED display to show the cooling unit's status.

- 1** Power
The green Power LED is illuminated when the unit is plugged in.



- 2** Water level
The red water level LED is illuminated when the float switch detects a low water level and the pump is not turning on. This LED flashes if the pump is running during a low water occurrence to indicate that more water needs to be added in order to continue running the pump.



- 3** Timer
The controller features five pre-programmed modes which control the fan / pump sequence for a pre-defined period. The LED flashes slowly if continuously held and flashes quickly if the timer is enabled and then the Pump or Fan buttons are continuously held, prompting the user to turn off the timer in order to exit fan and pump operation. The green Timer LED is illuminated when the Timer button is activated. Each touch of the program button cycles through the five modes: 1HR, 2HR, 4HR, 8HR, and TIMER OFF. During the program run, the user can adjust the maximum fan speed with the up/down buttons. When the program is active, the Timer LED will be on and, for five seconds, the user will be shown which program (1H, 2H, 4H, or 8H) is active.



- 4** Pump
Press the pump button once to power on and again to power off. The green Pump LED is illuminated when the enabled. The LED flashes slowly if continuously the timer is disabled.



- 5** Fan
When the fan is off, touch the fan button once to turn the fan on in full speed. When the fan is on, touch of the Fan button again to turn the fan off. The green Fan LED is illuminated when the fan is active. The LED flashes slowly if continuously held and the timer is disabled.



- 6** Speeds
The buttons control the air velocity of the unit. Beginning with "Lo", or 50% air flow, up to "Hi" or 100% airflow and increasing in five percent increments.



- 7** 7-Segment LED Display
LEDs are used to display the status of the cooling unit. The LED flashes slowly if continuously held and flashes quickly if the timer is enabled and then the Pump or Fan buttons are continuously held, prompting the user to turn off the timer in order to exit fan and pump operation.

Two digits display the unit's temperature, fan speed, and timer program. If the unit does not have a temperature sensor connected, the display will constantly show fan speed. If the unit does feature a temperature sensor, then the temperature is displayed unless: a fan speed change is being called upon either by means of the up/down button or by the timer's program. When a fan speed change is requested, the fan speed will be displayed for five seconds before returning to the unit temperature.

LOCK OUT FEATURE

If the operator would like to lock settings so that they can't be adjusted, simply press the "up" arrow and the fan button simultaneously to lock the controls. To unlock, press the "down" button and the fan icon. When enabled, "L-E", or "Lock Enabled", will be displayed in the LED.



LED Temp Display.
Temperature of the internal cooled air in Fahrenheit or Celsius.



LED Speed Display.
"HI" or "LO" or % CFM will be illuminated.



LED Timer Display.
Shows one of the 5 modes: 1HR, 2HR, 4HR, 8HR, or OFF.

PRE-PROGRAMMED TIMER FUNCTION

- 1) PUMP STARTS (INCLUDES FIVE SECOND DELAY TO ALLOW WATER TO START REACHING THE PADS)
- 2) FAN STARTS AT 100% (HI) SPEED (A "KICK START" FOR BEST VARIABLE SPEED MOTOR OPERATION)
- 3) FAN RAMPS DOWN TO 50% SPEED
- 4) FAN RAMPS UP TO FULL SPEED IN 10% STEPS AT ONE MINUTE INTERVALS (BEGIN INCREASING AIRFLOW AS THE PADS WET OUT

FOR BEST EFFICIENCY)

- 5) FAN RUNS AT MAXIMUM SPEED FOR THE DURATION OF THE TIMER SETTING (100% SPEED IS DEFAULT, OR IT CAN BE WHATEVER THE USER SELECTS)
- 6) PUMP SHUTS OFF WHEN TIMER SETTING EXPIRES
- 7) FAN RAMPS DOWN TO 50% SPEED
- 8) FAN RUNS 30 MINUTES (PAD DRYING PERIOD)
- 9) FAN SHUTS OFF

MAINTENANCE & STORAGE

Very little maintenance is required on the PORT-A-COOL® unit. Cleanliness is the most important part of a maintenance program. Keeping the unit clean will do more than any other single item to keep your unit in peak operating condition. The rugged, corrosion-resistant construction of the unit and industrial grade components ensure low maintenance characteristics. In excessively dusty or dirty environments, optional filters are available from your distributor or at www.port-a-coolparts.com

Daily Maintenance

Daily maintenance is an operational routine rather than actual maintenance. On a daily basis, the pump should be turned off approximately 15 minutes before the fan is turned off. This will allow the cooling pads to dry out and extend their life. This also helps to control the growth of mildew, mold, bacteria and other odor causing elements.

Weekly Maintenance

At the end of the week or at a scheduled time, the unit should be shut down and the sump tank should be drained. Closing the Spray Bar Adjustment Valve and opening the Drain Valve will accomplish this. If desired, a hose may be attached to the Drain Valve to direct the drained water to a remote disposal area. Once the Drain Valve is open, starting the pump will drain the unit. When the pump has removed most of the water, a small amount will be left in some areas. The PAC2KCYC01, PAC2KCYC01A, PACCYC02, PACCYC02A, PACCYC03, PACCYC04, PACJS1600, PACJS2400, PACHR3600, and PAC163SVT models come equipped with a drain plug. Removal of the drain plug will accomplish the same results without the use of the pump.

Once the sump is drained and the power disconnected, the pads may be removed to allow inspection and cleaning of the sump tank. Dust may collect in the sump tank over time. This dirt, and any remaining water, may be vacuumed out using a wet/dry shop vacuum and wiped clean with a cloth. Also, inspect and clean the Inlet Strainer located on the bottom of the pump. Replace pads in correct airflow direction, referring to the label on the pads.

Storage

- 1) Drain all water from the sump tank and clean, ensuring that the pads and sump are completely dry.
- 2) Roll up the electrical power cord and secure it to ensure that it will not be rolled over, tripped over, or caught in equipment.
- 3) Cover the unit completely to prevent dust build-up and store in a dry area. This also helps to prevent damage to the pads. Optional dust covers are available from your distributor or at www.port-a-coolparts.com.

**CAUTION — DISCONNECT POWER BEFORE REMOVING
COOLING PADS FROM THE PORT-A-COOL® UNIT!**

**NOTICE — POWER CORD MAY BE REPLACED ONLY BY THE
MANUFACTURER OR QUALIFIED AGENT!**

TECHNICAL SUPPORT

Technical support and service is available directly from your distributor or call PORT-A-COOL, LLC Technical Support Hot Line at 888-266-5243 for the distributor nearest you. You may also contact the Support Hot Line for consultation on troubleshooting and parts replacement.

Please have serial number and model number of unit available.

WARRANTY AND REPLACEMENT PARTS

Port-A-Cool® Unit Limited Warranty

All Port-A-Cool® units are warranted for one full year from date of purchase. This warranty covers defects in original material, workmanship, parts, and components. To ensure that the warranty is put into effect, be sure to submit the warranty registration online or complete the warranty card that is shipped with your unit. Please register online at <http://www.port-a-cool.com>. Factory-authorized personnel will make the final determination concerning repairing or replacing parts or components based on customer claims.

The manufacturer of the variable speed (HP) motor offers a three year warranty on that part. The variable speed motor can be found in the following Port-A-Cool® models: PAC2K36HPVS, PAC2K24HPVS, PACJS1600, PACJS2400, and PAC2K16HPVS.

All transportation charges on parts submitted for replacement or repair under this warranty must be borne by the purchaser. PORT-A-COOL, LLC., will not be held liable for any incidental or consequential damages. This warranty is declared void if the equipment is found to have been misused, abused or tampered with by unauthorized personnel.

Returned Merchandise Authorization (RMA) Procedures

All Port-A-Cool® units, parts, or materials being returned to PORT-A-COOL, LLC for warranty replacement or repair require an RMA (Return Merchandise Authorization) number.

Warranty parts can be replaced by:

1. The distributor can purchase the part with an RMA number and will only be charged for the cost of the part, not for the shipping. When the defective part is returned freight paid, the distributor's account will be credited for the cost of the part.
2. The customer / distributor can call Tech Support to get an RMA number to send the defective part back to PORT-A-COOL, LLC. Once the part is received by PORT-A-COOL, LLC, a replacement part will be sent at no charge.

Information needed to get an RMA number:

1. The unit serial number.
2. The unit model number (ex. PAC2K363S)
3. The part number or description of the part to be replaced.

Only major component parts need an RMA number, i.e. fans, motors, pumps, and some plumbing parts. For replacement of small parts, the serial and model numbers are still required, but the parts do not need to be returned to PORT-A-COOL, LLC.

For warranty replacement parts call PORT-A-COOL® Technical Support at 1-888-266-5243. FAX: 936-598-1431.

Shipping Address
PORT-A-COOL, LLC
721 FM 2468
Center, Texas 75935

Mailing Address:
PORT-A-COOL, LLC
P.O. Box 2167
Center, Texas 75935

To expedite your request, please submit the RMA form found on our website at www.port-a-cool.com/returns

TROUBLESHOOTING

Troubleshooting

The PORT-A-COOL® unit consist of three systems — the fan system, the electrical system, and the water system. It is important to determine which system of the PORT-A-COOL® unit the problem is associated with. Certain problems may be associated with more than one system.

Since several things may cause a particular problem (*i.e., the pump is not running*), when determining which system that the problem is associated with, first define the problem. A careful check of all systems should be made to fully understand the extent of the problem.

With an understanding of all three systems of the PORT-A-COOL® unit and how they depend on each other, it becomes much simpler to define and solve any problems.

Although the PORT-A-COOL® unit is designed to be simple to maintain, it will be necessary to have some basic hand tools (screwdrivers, pliers, adjustable wrenches, etc.).

CAUTION

Please use caution when troubleshooting or repairing any electrical components. Be certain that all power is disconnected from the PORT-A-COOL® unit before the cooling pads are removed to gain access to the fan.

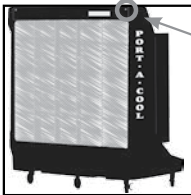
Repair and Replacement Procedures

Ensure that all water is removed from the PORT-A-COOL® unit and all power is disconnected. Remove all impediments to access the component you are checking or replacing.

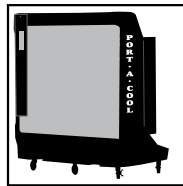
REPLACING THE COOLING MEDIA (PADS) (All Models)

CAUTION - DISCONNECT POWER BEFORE PERFORMING THIS OPERATION!

The flap must be removed to allow access to the cooling pads. Start with the center pad, which can be tilted out from the top and lifted out of the drain trough. The two pads to either side of the center pad may then be removed in the same manner. To remove the two outside pads, they must first be pulled sideways toward the center of the PORT-A-COOL® unit until they clear the side retainer before removing in the same manner as the other pads.



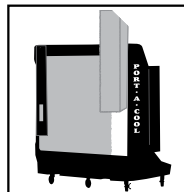
Locate the set screw in the rear of the unit on the upper right side



Remove set screw and lower front flap to vertical position (see illustration)



Once the front flap is moved, grasp the right pad and tilt out at a 90 degree angle (see illustration).



Pull the pad up to remove from unit. Repeat for other pads.

FAN SYSTEM

This section is divided into the two categories of fans used on all PORT-A-COOL® models: Direct Drive and Belt Drive. Both have some symptoms in common, and both have problems that are particular to each.

BELT DRIVE MODELS

PROBLEM	CHECK	SOLUTION
Fan motor won't run and makes no sound.	Power cord, switches, circuit breaker, etc.	Check switch connection Reconnect power, reset breaker.
Fan motor won't run and makes a humming sound.	Blade in contact with shroud	Check mounting bolts.
	Motor stalled (will not turn by hand)	Replace motor.
Breaker trips or fuse blows when fan is started.	Motor stall (as above).	Replace motor.
	Other items on circuit.	Remove other items.
Motor overheating and shutting off and restarting several minutes later.	Inlet air obstructed or too close to wall.	Provide minimum 36 inch inlet clearance.
Switch making good contact. makes soft clicking sound.	Faulty motor. Replace switch	Replace motor.
Fan motor won't run and has a burning smell and hums.	Motor stall (as above).	Replace motor.
Fan blade doesn't turn and unit makes squealing sound.	Fan Belt, loose.	Tighten or replace fan belt.
	Fan pulley spinning on shaft.	Tighten pulley set screw.
Fan belts do not last very long.	Motor and fan pulleys misaligned	Realign motor and mount.
Fan will not reach speed but turns and makes humming sound.	Capacitor (where visible) and motor electrical connections.	Replace motor.

DIRECT DRIVE

PROBLEM	CHECK	SOLUTION
Fan motor won't run and makes no sound.	Power cord, switches, circuit breaker, etc. cord, reset breaker.	Check switch connection Reconnect power
Fan motor won't run and makes a humming sound.	Blade in contact with shroud	Check mounting bolts.
	Motor stalled (will not turn by hand)	Replace motor.
Breaker trips or fuse blows when fan is started.	Motor stall (as above).	Replace motor.
	Other items on circuit.	Remove other items.
Motor overheating and shutting off and restarting several minutes later.	Inlet air obstructed or too close to wall.	Provide minimum 36 inch inlet clearance.
Fan motor won't run and switch makes soft clicking sound.	Faulty motor. Switch making good contact.	Replace motor. Replace switch.
Fan motor won't run and has a burning smell.	Start capacitor leaking from cover.	Replace motor .
	Motor stall (as above).	Replace motor.

WATER SYSTEM

The water system consists of three primary elements: 1) Water Delivery System, 2) Spray Bar Assembly; 3) Pump. Troubleshooting of this system is fairly simple.

The **Water Delivery System** consists of two assemblies: A) The Water Inlet Assembly and B) The Plumbing Assembly.

The **Water Inlet Assembly** is made up of three components: 1) The Bulkhead Fitting, 2) The Float Valve Connection Hose, and 3) The Float Valve.

The **Plumbing Assembly** consists of three elements: 1) Riser (PVC components), 2) Drain Valve, and 3) The Spray Bar Adjustment Valve. (The PAC2K163SHD and PAC2K163HPVS models have no riser or drain valve.)

The **Spray Bar Assembly** consists of two components: 1) Spray Bar, 2) Connection Hose.

The pumps that actually move the water through the delivery system are discussed in the charts below. These charts indicate the major symptoms of problems that may be encountered with the Water System components.

WATER INLET SYSTEM

PROBLEM	CHECK	SOLUTION
Floor near the PORT-A-COOL® unit is wet. Water flow is too heavy.	Water inlet hose is loose at supply hose or inlet hose is loose at bulkhead fitting	Adjust water flow. Tighten connections and/or replace hose washers.
PORT-A-COOL® unit overflows from sump tank or is spitting water through fan.	Float valve hose is loose at bulkhead fitting or at float valve.	Tighten connections and /or replace hose washers.
	Water pressure is too high to allow float valve to shutoff. (50 psi max.)	Reduce water pressure by checking in-line reducer.
	Float valve is not seating properly. Spray bar valve adjustment.	Check for particles in valve. Replace float valve. Close down adjustment valve to reduce excess water flow.

PLUMBING ASSEMBLY

PROBLEM	CHECK	SOLUTION
Water spitting from the unit.	Cracked riser assembly. Spray Bar Adjustment valve.	Replace riser assembly.
Water leaking from Drain Valve.	Washer worn.	Replace washer.
	Stem worn.	Replace Drain Valve.
Water leaking from Spray Bar Valve.	Washer worn.	Replace washer.
	Stem worn.	Replace Spray Bar Valve.

SPRAY BAR ASSEMBLY (ALL MODELS)

PROBLEM	CHECK	SOLUTION
Too many dry streaks in the pads.	Holes in spray bar blocked by foreign material.	Remove and clean spray bar.
		Clean individual holes.
Water spitting from the unit.	Hose connection loose.	Tighten hose.
		Replace hose and washer.
		Reseat spray bar end caps
Excess water in air coming from the fan.	Pad Installation	Pads must be installed according to air flow direction label on the pad.

SUBMERSIBLE PUMPS PROBLEM CHECK SOLUTION

PROBLEM	CHECK	SOLUTION
Pump will not run when switch is turned on.	Power cord, switches, circuit breaker, switch box, connection, etc.	Reconnect power, reset breaker or reconnect in switch box.
	Air lock in hose.	Disconnect hose at base of pump, run pump to release air, then reconnect.
Pump hums when switch is turned on, but does not pump water.	Inlet filter clogged.	Clean filter.
	Pump motor locked.	Replace pump.
Breaker trips or fuse blows when switch is turned on.	Wiring short in line between pump and switch box.	Check and/or replace wiring.
Pump cycling on and off periodically	Sump tank is empty.	Fill with water.
	Spray bar valve is closed.	Open valve.
Pump will not run and power is available and pump is functional.	Switch making closure contact.	Check continuity/ Replace switch.
Unit has water spraying from front.	If the unit is equipped with a PUMP-016-4Z.	If so, disconnect the unit and remove the pads to access the pump. Turn it towards the rear of the unit .
	Water level	Units equipped with PUMP-016-4Z need to maintain water levels to cover the pump.

BRONZE PUMP (PAC2K36HZ or PAC2K48HZ)

PROBLEM	CHECK	SOLUTION
Pump motor will not run when switch is turned on.	Power cord, switches, circuit breaker, etc.	Reconnect power, reset breaker.
Pump motor hums when switch is turned on, but does not pump water.	Air Locked. Pump/Motor locked.	Disconnect hose at base of pump, run pump to release air, then reconnect. Replace pump/motor.
Pump makes loud noise while running	Pump bearings.	Replace pump.
	Object in impeller housing.	Clear object.
Breaker trips or fuse blows when switch is turned on.	Pump motor locked.	Replace pump/motor.
Pump will not run and power is available and pump is functional	Switch making closure contact.	Replace switch.
Pump motor running but pump is not turning.	Set screws on coupling.	Tighten set-screw / Replace coupling.

SHAFT TYPE PUMP (16" models)

PROBLEM	CHECK	SOLUTION
Pump motor will not run when switch is turned on.	Power cord, switches, circuit breaker, switch box, connections, etc.	Reconnect power cord, reset breaker. or reconnect to switch box.
Pump motor hums when switch is turned on, but does not pump water.	Object jammed into impeller blade.	Remove object.
	Air Locked.	Prime pump.
	Pump motor locked.	Replace pump.
Pump makes loud noise while running.	Pump bearings.	Replace pump.
	Object in impeller housing.	Clear object.
Breaker trips or fuse blows when switch is turned on.	Pump motor locked.	Replace pump.
Pump won't run and power is available and pump is functional.	Switch making closure contact.	Replace switch.



FREQUENTLY ASKED QUESTIONS

Q. WHAT ASSEMBLY IS REQUIRED?

A. None. PORT-A-COOL® units are ready to use right out of the box.

Q. HOW DO I PREPARE MY PORT-A-COOL® UNIT FOR STORAGE?

A. Drain the unit, dry out the pads and place the unit, preferably covered, in a dry place for the winter season. For more details, please call our Tech Support Hotline at 1-888-COOL-AID.

Q. I JUST HOOKED UP MY PORT-A-COOL® UNIT FOR THE FIRST TIME AND THERE'S AN UNPLEASANT ODOR! WHAT'S WRONG?

A. A new unit will go through a break-in period during which it may emit some odor. The pads, located in the back of your PORT-A-COOL® unit, have never been wet. The resin in the pads will emit an odor the first time you wet them that lasts approximately one to three weeks. Keep the unit in an open area until the odor goes away or put a capful of laundry softener directly in the tank in the bottom of your unit. After approximately two weeks of operation, the odor should disappear. If the unit is not a new unit, algae or bacteria growth in the unit from improper maintenance will cause odors. Please refer to your owner's manual for proper cleaning and maintenance.

Q. MY PORT-A-COOL® UNIT ISN'T PUTTING OUT ANY COOL AIR.

A. First, make sure the water source and electricity source are connected and working. Second, check the back of your unit to see if the pads are damp. Adjust the water flow. For the evaporation process to occur, the pads must be damp before you turn on the fan. Third, make sure there is water in the tank. It should be allowed to fill before you turn the pump on. Fourth, if none of these options fix the problem, call our Tech Support Hotline at 1-888-COOL-AID for additional assistance.

FREQUENTLY ASKED QUESTIONS (continued)

Q. WHAT IS THE BEST ENVIRONMENT FOR THE PORT-A-COOL® UNIT TO PRODUCE THE MOST COOL AIR?

A. For optimum performance, the temperature should be 85° F or higher and the relative humidity should be below 75%. However, PORT-A-COOL® units will reduce the temperature in almost any environment, making it more pleasant.

Q. WHAT IS THE DIFFERENCE BETWEEN EVAPORATIVE COOLING AND MISTING SYSTEMS?

A. Misting units spray a shower of water into the air that will collect on people, objects, equipment, floors, etc. The PORT-A-COOL® unit uses the process of evaporation to produce cooler air, but does not discharge a mist.

Q. SHOULD I OIL THE FAN MOTOR?

A. That is not required. The motor bearings are sealed and cannot be oiled.

Q. WHERE CAN I BUY REPLACEMENT PARTS?

A. Unit replacement parts may be purchased from any PORT-A-COOL® product distributor or directly from Port-A-Cool® Parts/Technical Support department. You may also visit www.port-a-coolparts.com to order online.

Q. HOW OFTEN DO PADS HAVE TO BE REPLACED?

A. Depending on the quality of maintenance and frequency of use, pads typically last up to five years. However, should you have any questions about the life of the pads for your unit, please call our tech support department for more detailed information about replacing your pads.

(CONTINUED)

FREQUENTLY ASKED QUESTIONS (continued)

Q. WHAT IS THE AMOUNT OF MOISTURE PRODUCED BY A UNIT?

A. An increase in humidity of approximately two to five percent is produced, depending on the temperature and humidity of the environment. This increase is not noticeable in a ventilated area where the air produced by the unit is exhausted.

Q. HOW LONG WILL THE WATER SUPPLY LAST IN THE SUMP TANK?

A. With no direct water source available, the unit will evaporate the water in a filled sump tank within two to 10 hours of operation, depending on the water capacity of the unit and ambient conditions. The evaporation rate will vary depending on temperature and humidity. A water source for refilling the sump tank is recommended by the manufacturer. Most units have an internal float valve for regulating water flow into the sump.

Q. SHOULD I USE ICE IN THE SUMP TANK FOR BETTER COOLING?

A. Some of the vapor from the ice water may be picked up and distributed by the fan, but this does not increase evaporation and therefore will not produce significant cooling.

Q. WHERE ARE THE MODEL AND SERIAL NUMBERS FOUND ON THE UNIT?

A. On the outside of every unit is a metal plate with a white label with printed barcodes and other information. Unit model numbers begin with the letters "PAC." Serial numbers are all-digits. Always provide the unit's serial number and model number when contacting Parts/Technical Support.

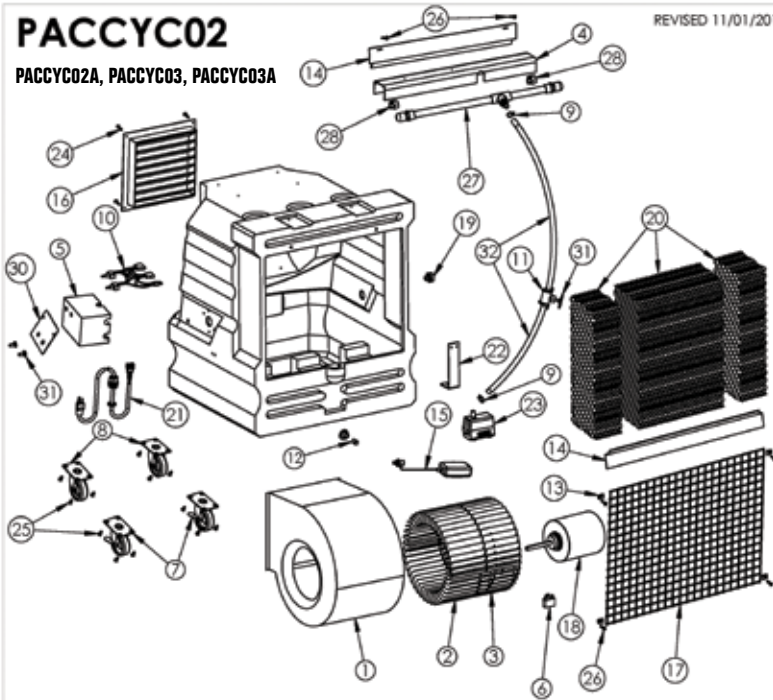
Q. WHAT IF MY QUESTIONS AREN'T ANSWERED HERE?

A. Our Tech Support staff is available 8 a.m. to 5 p.m. Central Time, Monday through Friday at 1-888-COOL-AID or you can e-mail them at support@port-a-cool.com.

PACCYC02

PACCYC02A, PACCYC03, PACCYC03A

REVISED 11/01/2011



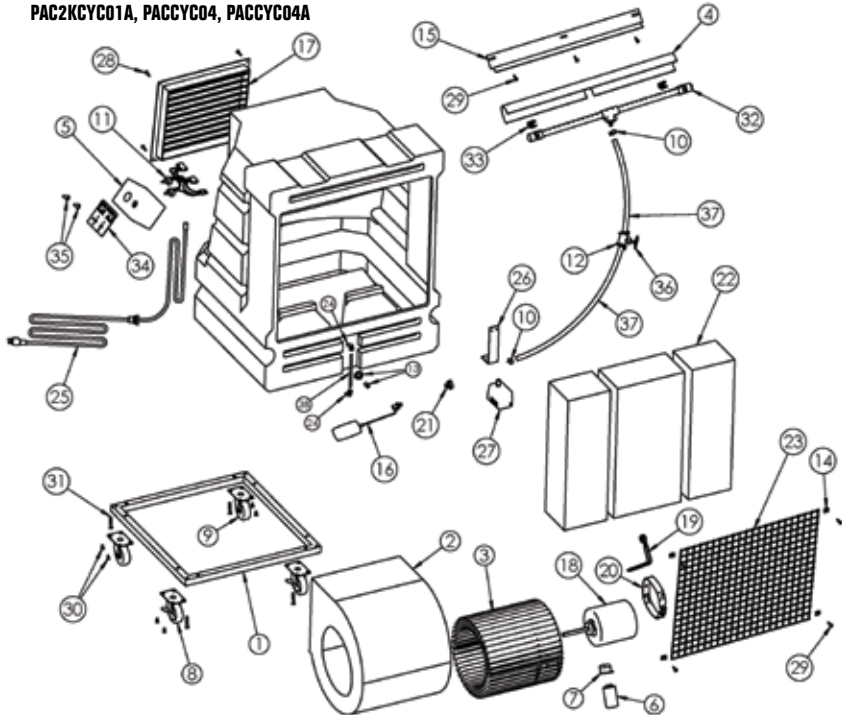
ITEM#	PART #	DESCRIPTION	ITEM#	PART #	DESCRIPTION
1	BLOWER-02	BLOWER HOUSING - CYCLONE2000	18	MOTOR-016-01	CYCLONE2000 - 2SPD MOTOR
2	BLOWER-WHL-2CW	CYCLONE2000 BLOWER WHEEL (PART 1)	19	PAC-PLB-14	INLET HOSE ADAPTER for CYCLONE2000
3	BLOWER-WHL-3CCW	CYCLONE2000 BLOWER WHEEL (PART 2)	20	PAD6019/22	KUUL PAD SET FOR CYCLONE2000
4	BONNET-06	22.5" EXTRUDED BONNET-CYCLONE2000	21	POWERCORD-02	10ft POWER CORD W / DOME STRAIN RELIEF
5	BOX-UL-02	1 & 2 SPD UL ELECTRICAL BOX	22	PUMP-BRACKET-5	PUMP MOUNT BRACKET-CYCLONE2000
6	CAPACITOR-04	RUN CAPACITOR FOR CYCLONE2000	23	PUMP-CYC-3	CYCLONE PUMP - DK400
7	CASTER-3-L	3" LOCKING CASTERS	24	S-002	TEC SCREW S006
8	CASTER-3-NL	3" CASTERS	25	S-007	10/24 x 3/3 TRUSS HEAD SCREW
9	CLAMP-01	1/2" WIRE SPRING CLAMP	26	S-011	5/16 x 1" TRUSS HEAD SCREW
10	CTRL-2SPD-01	2-SPEED SWITCH ASSEMBLY	27	SPRAY-CYC-02	SPRAY BAR FOR CYCLONE2000
11	CTRL-VLV-BRKT-01	VALVE-01 MOUNTING BRACKETS	28	SPRAY-ACC-01	SPRAY BAR CLIP
12	DRAIN-PLUG-01	DRAIN PLUG	29	SPIN-FTG-02	SPIN FITTING FOR 16" UNIT
13	FANGUARDCLIP-01	CLIP	30	SWITCHPL-2SPD	2 SPEED SWITCH PLATE
14	FLAP-CYC-2	FLAP/SPLASHGAURD-CYCLONE2000	31	TOG-BOOT-01	RUBBER TOGGLE SWITCH BOOT (2)
15	FLOAT-CYC-03	FLOAT VALVE	32	VALVE-01	PUMP TO SPRAY BAR CONTROL VALVE
16	LOUVERS-CYC-11	LOUVER W/ MESH - CYCLONE2000	33	TUBE-01	PUMP TO SPRAY BAR TUBING
17	PAD-SCREEN-2	CYCLONE2000 UNIT PAD SCREEN			

220/50 and 220/60 models may require additional parts. Please contact Customer Service at 936-598-5651 for assistance

PAC2KCYC01

PAC2KCYC01A, PACCYC04, PACCYC04A

REVISED 10/27/2011

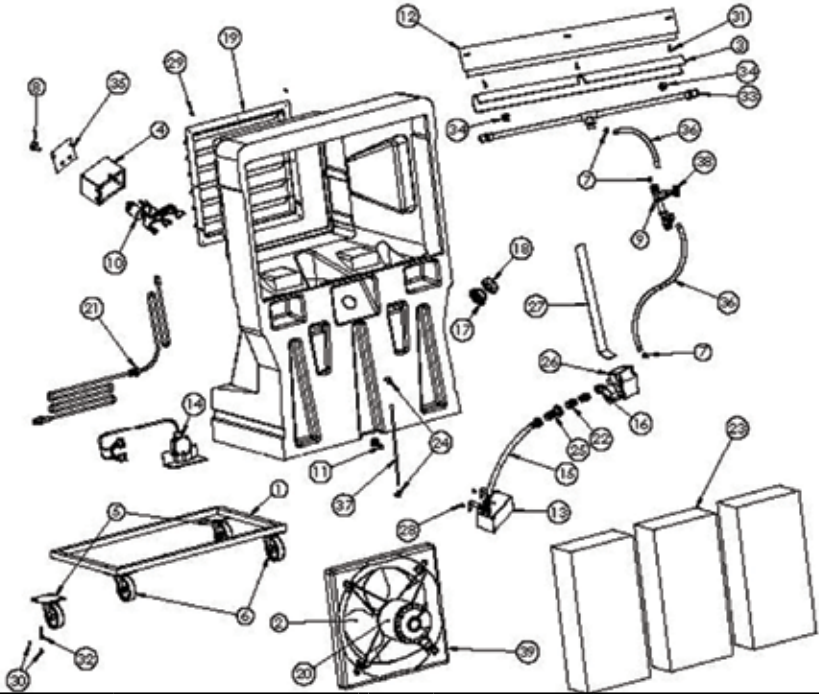


ITEM #	PART #	DESCRIPTION	ITEM #	PART #	DESCRIPTION
1	BASE-CYCLONE	CADDY FRAME	20	MOTOR-MNT-BND-2	CYCLONE QUAD-MOTOR BELLY BAND
2	BLOWER-01	BLOWER HOUSING	21	PAC-PLB-14	INLET HOSE ADAPTER
3	BLOWER-WHL-01	BLOWER WHEEL	22	PAD6022.5/26	KUUL PAD SET FOR CYCLONE
4	BONNET-05	BONNET	23	PAD-SCREEN-CYL	CYCLONE UNIT PAD SCREEN
5	BOX-UL-02	2 SPD UL ELECTRICAL BOX	24	POLY-FTG-06	90 DEG. FITTING FOR SIGHT TUBE
6	CAPACITOR-01	PSU 25-30 CAPACITOR	25	POWERCORD-02	10R POWER CORD W / DOME STRAIN RELIEF
7	CAP-BOOT-01	WATER PROOF BOOT FOR CAPACITOR	26	PUMP-BRACKET-#4	ALUM. BAR PUMP BRACKET
8	CASTER-3-L	3" LOCKING CASTERS	27	PUMP-CYC-3	CYCLONE PUMP - 0K400
9	CASTER-3-NL	3" CASTERS	28	S-006	TEC SCREW S006
10	CLAMP-01	1/2" WIRE SPRING CLAMP	29	S-009	10/24 x 3/3 TRUSS HEAD SCREW
11	CTRL-2SPD-01	2-SPEED SWITCH ASSEMBLY	30	S-014	5/16 x 1" TRUSS HEAD SCREW
12	CTRL-VLV-BRKT-1	VALVE-01 MOUNTING BRACKETS	31	S-017	5/16 - 18 x 1.5" TRUSS HEAD SCREW
13	DRAIN-PLUG-01	DRAIN PLUG	32	SPRAY-CYC-01	16" SPRAY BAR
14	FANGUARDCLIP-01	CLIP	33	SPRAY-ACC-04	SPRAY BAR CLIP
15	FLAP-05	FLAP	34	SWITCHPL-2SPD	2 SPEED SWITCH PLATE
16	FLOAT-CYC-03	FLOAT VALVE FOR CYCLONE UNITS	35	TGG-BOOT-01	RUBBER TOGGLE SWITCH BOOT (2)
17	LOUVERS-CYC-16	CYCLONE 3000 LOUVER W/MESH	36	VALVE-01	PUMP TO SPRAY BAR CONTROL VALVE
18	MOTOR-013-07B	1/3 HP - 2SPD MOTOR	37	TUBE-01	PUMP TO SPRAY BAR TUBING
19	MOTOR-MNT-ARM	CYCLONE TRI-ARM MOTOR MOUNT (4)	38	TUBE-03	SIGHT TUBE

220/50 and 220/60 models may require additional parts. Please contact Customer Service at 936-598-5651 for assistance

PACJS1600

REVISED 1/10/4/2012

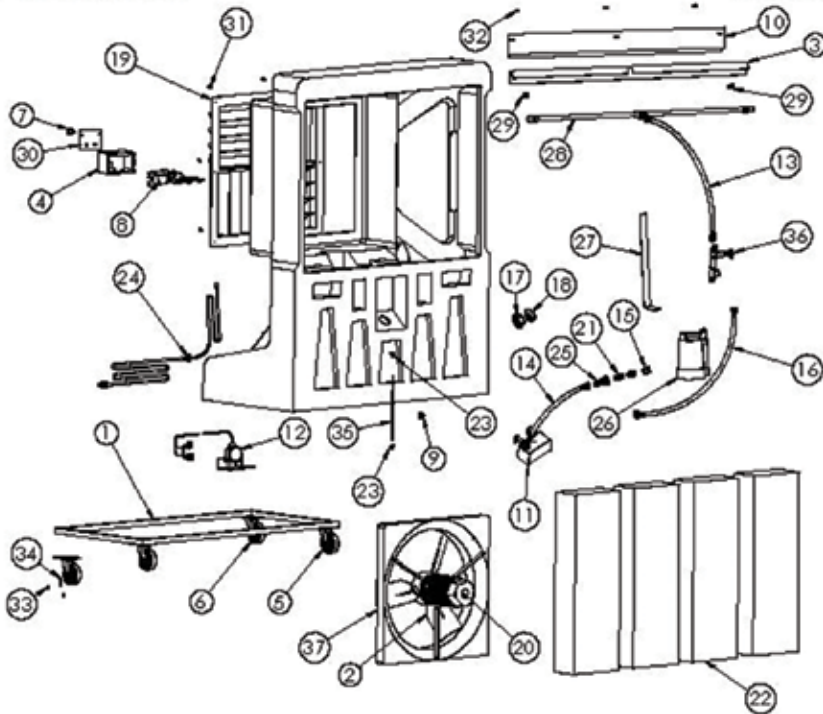


ITEM#	PART #	DESCRIPTION	ITEM#	PART #	DESCRIPTION
1	BASE-JS/VT	CASTER BASE ASSEMBLY FOR JS/VT	21	POWERCORD-02	10FT POWER CORD W/DOME STRAIN RELIEF
2	BLADE-ASSM-08	JS 16" BLADE	22	PAC-PLB-01	INLET HOSE ADAPTER
3	BONNET-03	SPRAY BAR BONNET FOR 16" PAC	23	PAD6024/G	16" PAC REPLACEMENT PAD [3]
4	BOX-UL-03	VAR SPD ELECTRICAL BOX	24	POLY-FTG-06	90DEG FITTING FOR SIGHT TUBE
5	CASTERS-HD-4	4" HEAVY DUTY NON-LOCKING CASTER	25	PRES-REG-01	INLET WATER REGULATOR
6	CASTERS-HD-4L	4" HEAVY DUTY LOCKING CASTER	26	PUMP-0140-1	PUMP ASSEMBLY FOR 16" UNIT
7	CLAMP-01	1/2" WIRE SPRING CLAMP	27	PUMP-ACC-17	JS/VS PUMP BRACKET
8	CTRL-KNOB-02	KNOB 24"VAR SPD CONTROL	28	S-004	FLOAT BOLT
9	CTRL-VLV-BRKT-1	CONTROL VALVE MOUNTING BRACKET	29	S-006	12-14 BLACK TEC SCREW
10	CTRL-VS-02	VAR SPD SWITCH HARNESS	30	S-007	5/16-18x3/4 TRUSS HEAD SCREW
11	DRAIN-PLUG-01	1/4" NPT PLUG #P-28 FOR 16"UNIT	31	S-009	10-24 X 3/4" TRUSS HEAD SCREW
12	FLAP-16-01	FRONT FLAP FOR 16" JETSTREAM	32	S-017	5/16 - 18 X 1.5" TRUSS HEAD SCREW
13	FLOAT-02	FLOAT VALVE	33	SPRAY-07	SPRAY BAR FOR 16" PAC
14	FLOATSWITCH-01	WATER PUMP SHUT OFF SWITCH	34	SPRAY-ACC-04	CLAMP FASTENER FOR SPRAY BAR
15	HOSE-FM18	18"FLOAT HOSE	35	SWITCHPL-VARSPD	SWITCH COVER PLATE
16	HOSE-FTG-05	SWIVEL HOSE FITTING	36	TUBE-01	SOFT PLASTIC TUBE
17	JS-ACC-01	2" THREADED FILLER CAP RING	37	TUBE-03	SIGHT TUBE
18	JS-ACC-02	2" THREADED FILLER CAP	38	VALVE-01	PUMP TO SPRAYBAR CONTROL VALVE
19	LOUVERS-JS	FRONT LOUVER FOR JS/VT UNITS	39	VENT16-INJ-01	VENTURI FOR 16" FAN
20	MOTOR-013-04	1/3HP VOSTERMAN MOTOR			

220/50 and 220/60 models may require additional parts. Please contact Customer Service at 936-598-5651 for assistance

PACJS2400

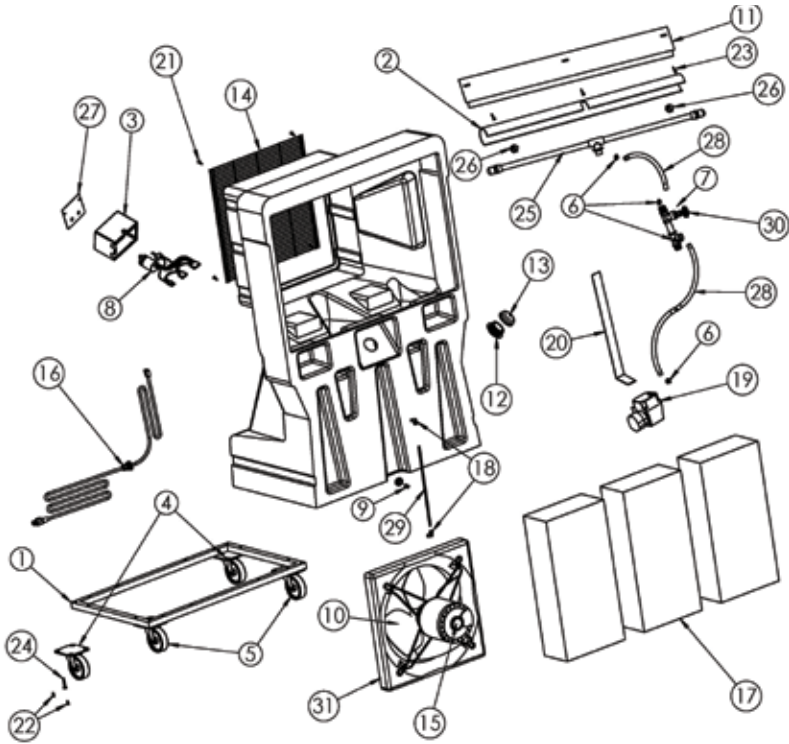
REVISED 11/05/2012



ITEM#	PART #	DESCRIPTION	ITEM#	PART #	DESCRIPTION
1	BASE-JS-24	CASTER BASE ASSEMBLY	20	MOTOR-012-06	24" HP MOTOR
2	BLADE-ASSM-24	24" JS FAN BLADE	21	PAC-PLB-01	INLET HOSE ADAPTER
3	BONNET-02	SPRAY BAR BONNET FOR 24" PAC	22	PAD06036/G	24" REPLACEMENT PAD
4	BOX-UL-03	VAR SPD ELECTRICAL BOX	23	POLY-FTG-06	90DEG. FITTING FOR SITE TUBE
5	CASTERS-HD-4	4" HEAVY DUTY JS/VT CASTER	24	POWERCORD-02	POWERCORD W/DOME STRAIN RELIEF
6	CASTERS-HD-4L	4" HEAVY DUTY JS/VT LOCKING CASTER	25	PRESS-REG-01	INLET WATER REGULATOR
7	CTRL-KNOB-02	KNOB FOR 24" VAR/SPD CONTROL	26	PUMP-016-4R	PUMP 1/6 HP (LG)
8	CTRL-VS-02	24" VAR/SPD SWITCH HARNESS ASSM	27	PUMP-ACC-18	JS/VT PUMP BRACKET
9	DRAIN-PLUG-01	1/4" NPT PLUG	28	SPRAY-04	SPRAY BAR FOR 24" PAC
10	FLAP-24-01	FLAP FOR 24" PAC	29	SPRAY-ACC-01	#12 NYLON CLIP
11	FLOAT-02	FLOAT VALVE BOX	30	SWITCHPL-VARSPD	VAR SPD SWITCH COVE PLATE
12	FLOATSWITCH-01	WATER PUMP SHUT OFF SWITCH	31	S-006	#12 X 1 1/4" TEK SCREW
13	HOSE-FF-33	33" SINGLE FEM HOSE	32	S-009	10-24 X 3/4" TRUSS HEAD SCREW
14	HOSE-FM30	18" FLOAT HOSE	33	S-014	5/16" - 1" TRUSS HEAD SCREW
15	HOSE-FTG-05	FEM/FEM 3/4" X 3/4" BRASS SWIVEL	34	S-017	5/16" - 18 X 1.5" TRUSS HEAD SCREW
16	HOSE-F47	SINGLE FEM HOSE PLUMBING TO PUMP	35	TUBE-03	1/4" POLY SIGHT TUBE
17	JS-ACC-01	2" TREADED RING	36	VALVE-01	1/2" GATE VALVE
18	JS-ACC-02	2" TREADED CAP	37	VENTURI-24-02	24" VENTURI
19	LOUVERS-JS-24	LOUVER W/MESH FOR 24" JS/VT			

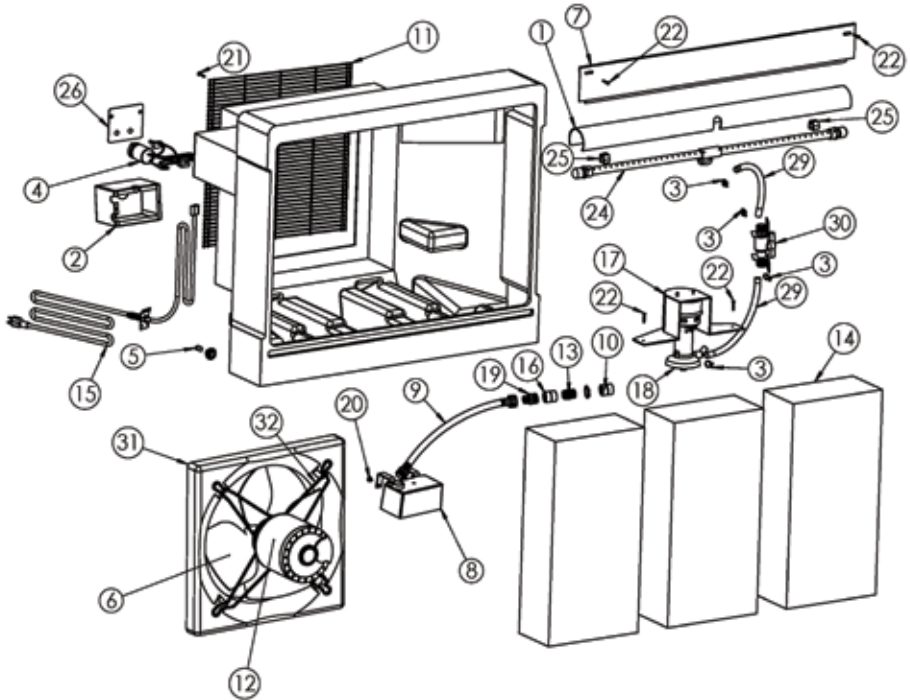
220/50 and 220/60 models require additional parts. Please contact Customer Service at 936-598-5651 for assistance

PAC163SVT



ITEM#	PART #	DESCRIPTION	ITEM#	PART #	DESCRIPTION
1	BASE-JS/VT	CASTER BASE ASSEMBLY FOR JS/VT	17	PAD6024/G	16" PAC REPLACEMENT PAD
2	BONNET-03	SPRAY BAR BONNET FOR 16" PAC	18	POLY-FT6-06	90DEG FITTING FOR SIGHT TUBE
3	BOX-UL-01	3SPD ELECTRICAL BOX	19	PUMP-0140-1	PUMP ASSEMBLY FOR 16" UNIT
4	CASTERS-HD-4	4" JS/VT HEAVY DUTY NON-LOCKING CASTER	20	PUMP-ACC-17	JS/VS PUMP BRACKET
5	CASTERS-HD-4L	4" JS/VT HEAVY DUTY LOCKING CASTER	21	S-006	12-14 BLACK TEC SCREW
6	CLAMP-01	1/2" WIRE SPRING CLAMP	22	S-007	5/16 -18x3/4 TRUSS HEAD SCREW
7	CTRL-VLV-BRKT-1	CONTROL VALVE MOUNTING BRACKET	23	S-009	10-24 X 3/4" TRUSS HEAD SCREW
8	CTRL-3SPD-02	3SPD SWITCH HARNESS	24	S-017	5/16 - 18 X 1.5" TRUSS HEAD SCREW
9	DRAIN-PLUG-01	1/4" NPT PLUG #P-28 FOR 16"UNIT	25	SPRAY-07	SPRAY BAR FOR 16" PAC
10	FAN-ASSM-15	16" VT FAN BLADE	26	SPRAY-ACC-04	CLAMP FASTENER FOR SPRAY BAR
11	FLAP-16-01	FRONT FLAP FOR 16" JETSTREAM	27	SWITCHPL-REV3SP	3SPD SWITCH COVER PLATE
12	JS-ACC-01	2" THREADED FILLER CAP RING	28	TUBE-01	SOFT PLASTIC TUBE
13	JS-ACC-02	2" THREADED FILLER CAP	29	TUBE-03	SIGHT TUBE
14	MESH-PAC-05	FAN GUARD SCREEN FOR 16" UNITS	30	VALVE-01	PUMP TO SPRAYBAR CONTROL VALVE
15	MOTOR-012-04E	16" HD, FC,VT 3SPD MOTOR	31	VENT16-INJ-01	VENTURI FOR 16" FAN
16	POWERCORD-03	10FT POWER CORD W/STRAIN RELIEF/NUT/WASHER			

220/50 and 220/60 models may require additional parts. Please contact Customer Service at 936-598-5651 for assistance

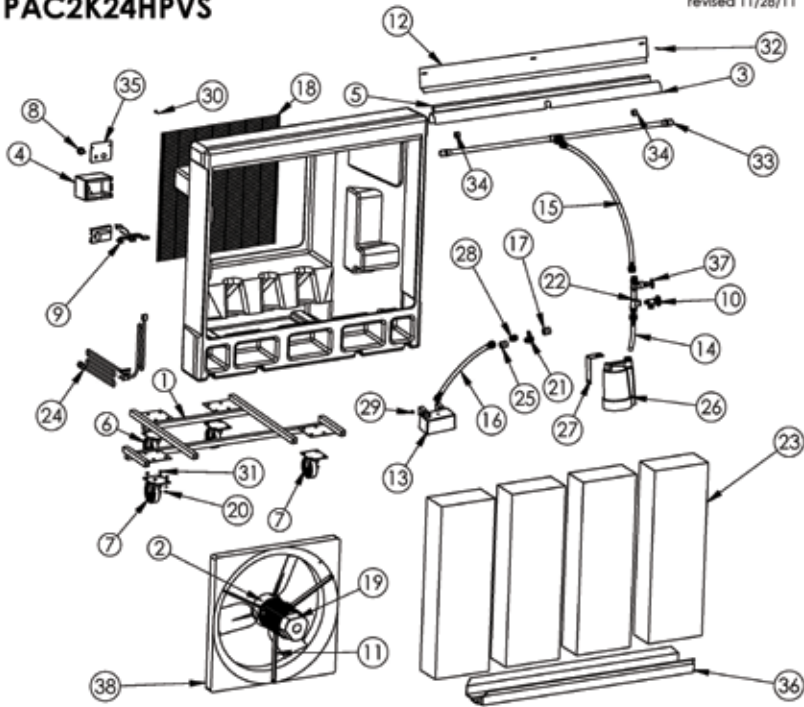


ITEM#	PART #	DESCRIPTION	ITEM#	PART #	DESCRIPTION
1	BONNET-03	SPRAY BAR BONNET	15	POWERCORD-01	16' POWER CORD W/STRAIN RELIEF
2	BDX-UL-01	3 SPD ELECTRICAL BOX	16	PRES-REG-01	WATER PRESSURE REGULATOR
3	CLAMP-01	1/2" CLAMP FOR PLASTIC TUBE	17	PUMP BRACKET	PLASTIC PUMP COVER/BACKET
4	CTRL-3SPD-02	3-SPD HARNESS W/SALZER SWITCH	18	PUMP-0150-1	PUMP 1/70HP W/NETTING
5	DRAIN-PLUG-01	DRAIN PLUG 16 PAC	19	PVC-ADP-01	3/4 X 1/2 ADAPTER
6	FAN-ASSM-15	16" VT FAN BLADE	20	S-004	1/4-20 X 1/2" BOLT FOR FLOAT
7	FLAP-16-01	FRONT FLAP FOR 16"	21	S-006	#12 X 1 1/4" TEK SCREW
8	FLOAT-02	FLOAT VALVE	22	S-009	10-24 x 3/4" TRUSS HEAD SCREW
9	HOSE-FM18	1/2" X 18" F/M HOSE	23	SPRAY-07	SPRAY BAR FOR 16" PAC
10	HOSE-FTG-05	FEM/FEM 3/4" BRASS SWIVEL	24	SPRAY-ACC-04	CLAMP FASTENER 1029
11	MESH-PAC-05	FAN SCREEN	25	TUBE-01	1/2" PLASTIC TUBE (PER FOOT)
12	MOTOR-012-04E	16" HD,FC,VT 3 SPD MOTOR	26	VALVE-01	1/2" GATE VALVE
13	PAC-PLB-01	BRASS INLET FITTING	27	VENT16-INJ-01	INJECTION MOLDED VENTURI
14	PAD6024/G	PAD FOR 16" UNIT (3 per unit)	28	VENTURI-MNT-01	N/S H/D MOTOR MOUNT FRAME

220/50 and 220/60 models require additional parts. Please contact Customer Service at 936-598-5651 for assistance

PAC2K24HPVS

revised 11/28/11

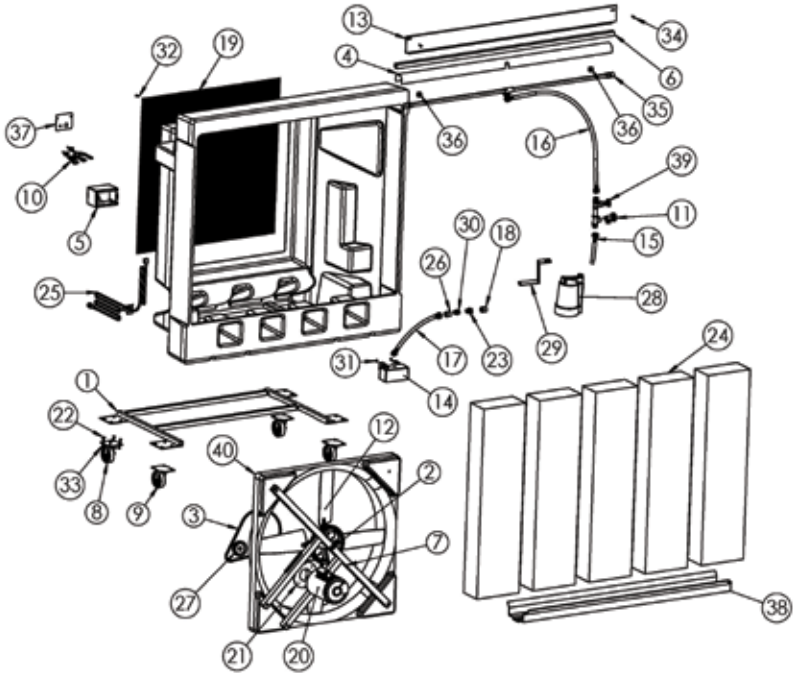


ITEM #	PART #	DESCRIPTION	ITEM #	PART #	DESCRIPTION
1	BASE-2K24	CADDY	20	LOCKNUT-FNG-516	5/16"-18 FLANGE NYLON INSERT LOCK NUT
2	BLADE-ASSM-02	VOSTERMAN 24" FAN BLADE ASSY. (33deg.)	21	PAC-PLB-01	BRASS INLET FITTING
3	BONNET-02	SPRAY BAR BONNET FOR 24" PAC	22	PAC-PLB-02	BLACK PLUMBING ASSEMBLY
4	BDX-UL-03	ELECTRICAL BOX	23	PAD6036/G	PAD FOR 24" PAC (4 per unit)
5	BRACE-24-01	BONNET STEEL BAR	24	POWERCORD-01	16' POWER CORD ASSEMBLY
6	CASTERS-HD-4	SWIVEL CASTER	25	PRES-REG-01	WATER PRESSURE REGULATOR
7	CASTERS-HD-4L	LOCKING SWIVEL CASTER	26	PUMP-016-4R	SUBMERSIBLE 1/6 HP PUMP
8	CTRL-KNOB-02	D-SHAFT KNOB FOR CONTROL SWITCH	27	PUMP-ACC-15	PUMP BRACKET- 1/6 HP PUMP 24" PAC
9	CTRL-VS-02	SWITCH SET FOR 24" HPVS UNIT	28	PVC-ADP-01	3/4" X 1/2" REDUCING ADAPTER
10	DRAIN-01	1/2" BOILER DRAIN	29	S-004	1/4-20 X 1/2" BOLT FOR FLOAT
11	FAN24HP-MNT-01	MOTOR MOUNT ARM FOR 24" HPVS UNIT	30	S-006	#12 X 1 1/4" TEK SCREW
12	FLAP-24-01	FRONT FLAP FOR 24" PAC	31	S-007	5/16" TRUSS HEAD SCREW FOR CASTER
13	FLDAT-02	FLOAT VALVE	32	S-009	10-24 X 3/4" TRUSS HEAD SCREW
14	HOSE-FF30	1/2" X 30" FEM/FEM HOSE TO PLB TO PUMP	33	SPRAY-04	SPRAY BAR FOR 24" PAC
15	HOSE-FF37	1/2" X 37" FEM/FEM HOSE TO SPRAYBAR TO PLB	34	SPRAY-ACC-04	CLAMP FASTENER 1029
16	HOSE-FM22	1/2" X 22" FEMALE/MALE HOSE INLET TO FLOAT	35	SWITCHPL-VARSPD	SWITCH PLATE FOR HP UNIT
17	HOSE-FT6-05	FEM/FEM 3/4" X 3/4" BRASS SWIVEL	36	TROUGH-02	PAD TROUGH FOR 24" PAC
18	MESH-PAC-03	FAN SCREEN FOR 24" PAC	37	VALVE-01	1/2" GATE VALVE
19	MOTOR-012-06	1/3 HP DIRECT DRIVE VOSTERMAN MOTOR	38	VENTURI-24-02	PLASTIC VENTURI FOR 24"HPVS UNIT

220/50 and 220/60 models require additional parts. Please contact Customer Service at 936-598-5651 for assistance

PAC2K361S

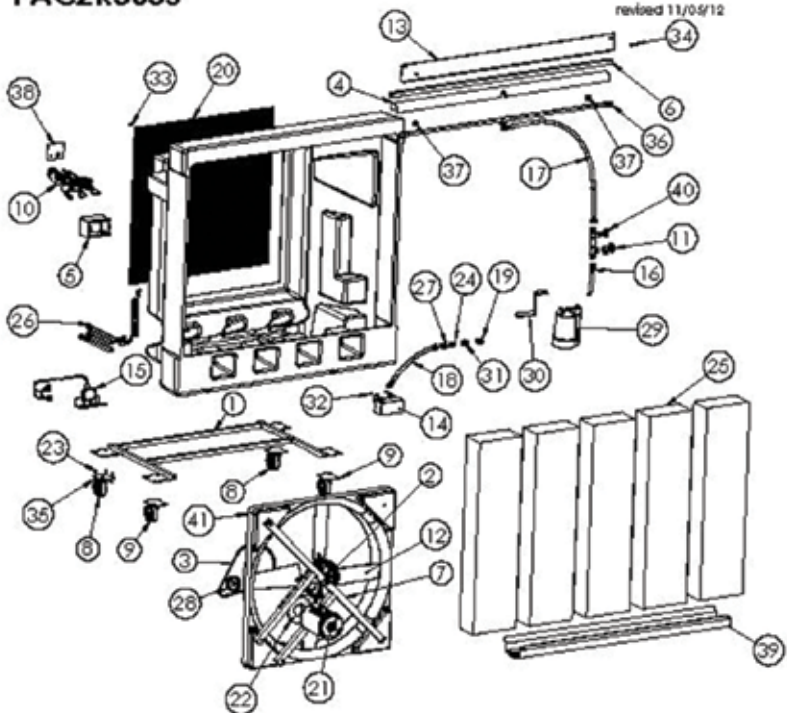
revised 12/01/11



ITEM#	PART #	DESCRIPTION	ITEM#	PART #	DESCRIPTION
1	BASE-2K36	CADDY	21	MOTOR-MNT-01	MOUNT FOR 36" MOTOR
2	BEARING-FAN-01	BEARING FOR 24" & 36" PAC	22	N-516-NYLOK	5/16" NYLOCK NUT FOR CASTERS
3	BELT2K-38-01	A-38 FAN BELT	23	PAC-PLB-01	BRASS INLET FITTING
4	BONNET-01	SPRAY BAR BONNET	24	PAD6048/G	PAD FOR 36" PAC (5 per unit)
5	BOX-UL-02	1 SPD ELECTRICAL BOX	25	POWERCORD-01	POWER CORD ASSEMBLY
6	BRACE-36-02	BONNET BRACE	26	PRES-REG-01	WATER PRESSURE REGULATOR
7	BRACE-36-03	36" PULTRUSION ASSEMBLY	27	PULLEY-3.75	3.75 O.D. PULLEY
8	CASTERS-HD-4	HEAVY DUTY CASTER	28	PUMP-016-4R	L/G 1/GHP SUBMERSIBLE PUMP
9	CASTERS-HD-4L	HEAVY DUTY LOCKING CASTER	29	PUMP-ACC-13	SUBMERSIBLE PUMP BRACE
10	CTRL-1SPD-01	1 SPEED SWITCH SET	30	PVC-ADP-01	3/4" X 1/2" REDUCING ADAPTER
11	DRAIN-01	1/2" BOILER DRAIN VALVE	31	S-004	1/4-20 X 1/2" BOLT FOR FLOAT
12	FAN-ASSM-01	PLASTIC BLADE & HUB ASSEMBLY FOR 36" PAC	32	S-006	#12 X 1 1/4" TEK SCREW
13	FLAP-36-01	FRONT FLAP FOR 36"	33	S-007	5/16-18 TRUSS HEAD SCREW
14	FLOAT-02	FLOAT VALVE	34	S-009	10-24 X 3/4" TRUSS HEAD SCREW
15	HOSE-FF24	1/2" X 24" FEM/FEM HOSE PUMP TO PLB	35	SPRAY-06	SPRAY BAR FOR 36" PAC
16	HOSE-FF50	1/2" X 50" FEM/FEM HOSE PLB TO SPRAYBAR	36	SPRAY-ACC-04	CLAMP FASTENER 1029
17	HOSE-FM30	1/2" X 30" FEM/MALE HOSE INLET TO FLOAT	37	SWITCHPL-1SPD	SWITCH COVER PLATE
18	HOSE-FTG-05	FEM/FEM 3/4" BRASS SWIVEL	38	TROUGH-01	PAD TROUGH FOR 36" PAC
19	MESH-PAC-02	FAN SCREEN	39	VALVE-01	1/2" GATE VALVE
20	MOTOR-012-01STA	1SPD STUD MOUNT MOTOR (PRODUCED W/9K9228)	40	VENTURI-36-01	36" RTM FAN VENTURI

220/50 and 220/60 models require additional parts. Please contact Customer Service at 936-598-5651 for assistance

PAC2K363S

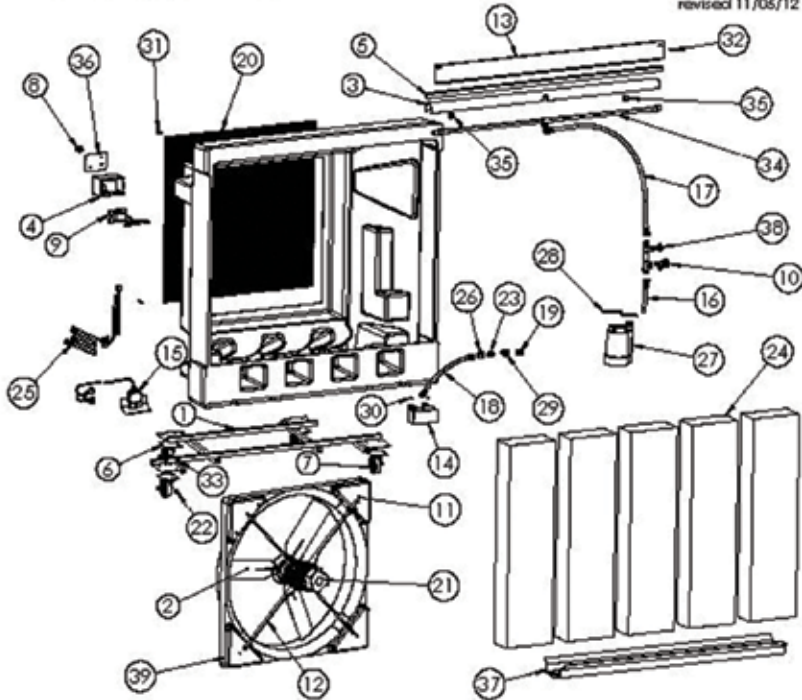


ITEM#	PART #	DESCRIPTION	ITEM#	PART #	DESCRIPTION
1	BASE-2K36	CADDY	22	MOTOR-MNT-01	MOUNT FOR 36" MOTOR
2	BEARING-FAN-01	BEARING FOR 24"/36" FAN BLADE ASSEMBLY	23	N-516-NYLOK	5/16" NYLOCK NUT FOR CASTERS
3	BELTZK-38-01	A-38 FAN BELT	24	PAC-PLB-01	BRASS INLET FITTING
4	BONNET-01	SPRAY BAR BONNET	25	PAD6048/G	PAD FOR 36" PAC (5 per unit)
5	BOX-UL-01	3 SPD ELECTRICAL BOX	26	POWERCORD-01	16' ELECTRICAL CORD
6	BRACE-36-02	BONNET BRACE	27	PRES-REG-01	WATER PRESSURE REGULATOR
7	BRACE-36-03	36" PULTRUSION ASSEMBLY	28	PULLEY-3.75	3.75 O.D. PULLEY
8	CASTERS-HD-4	HEAVY DUTY SWIVEL CASTER	29	PUMP-016-4R	1/6 HP SUBMERSIBLE PUMP FOR 36" PAC
9	CASTERS-HD-4L	HEAVY DUTY LOCKING SWIVEL CASTER	30	PUMP-ACC-13	PUMP BRACE
10	CTRL-3SPD-02	3 SPEED SALZER SWITCH SET	31	PVC-ADP-01	3/4"X1/2" REDUCING ADAPTER
11	DRAIN-01	1/2" BOILER DRAIN VALVE	32	S-004	1/4-20 X 1/2" BOLT FOR FLOAT
12	FAN-ASSM-01	PLASTIC BLADE & HUB ASSEMBLY	33	S-006	#12 X 1 1/4" TEK SCREW
13	FLAP-36-01	FRONT FLAP FOR 36"	34	S-007	5/16-18 TRUSS HEAD SCREW
14	FLOAT-02	FLOAT VALVE	35	S-009	10-24 X 3/4" TRUSS HEAD SCREW
15	FLOATSWITCH-01	WATER PUMP SHUT OFF SWITCH	36	SPRAY-06	SPRAY BAR FOR 36" PAC
16	HOSE-FF24	1/2" X 24" FEM/FEM HOSE PLB TO PUMP	37	SPRAY-ACC-04	CLAMP FASTENER 1029
17	HOSE-FF50	1/2" X 50" FEM/FEM HOSE SPRAY BAR TO PLB	38	SWITCHPL-3SPD	SWITCH COVER PLATE - 3SPD
18	HOSE-FM30	1/2" X 30" MALE/FEM HOSE INLET TO FLOAT	39	TROUGH-01	PAD TROUGH FOR 36" PAC
19	HOSE-FTG-07	FEM/FEM 3/4" BRASS SWIVEL	40	VALVE-01	1/2" GATE VALVE
20	MESH-PAC-02	FAN SCREEN	41	VENTURI-36-01	36" FAN VENTURI
21	MOTOR-012-02ST	3 SPD MOTOR			

220/50 and 220/60 models require additional parts. Please contact Customer Service at 936-598-5651 for assistance

PAC2K36HPVS

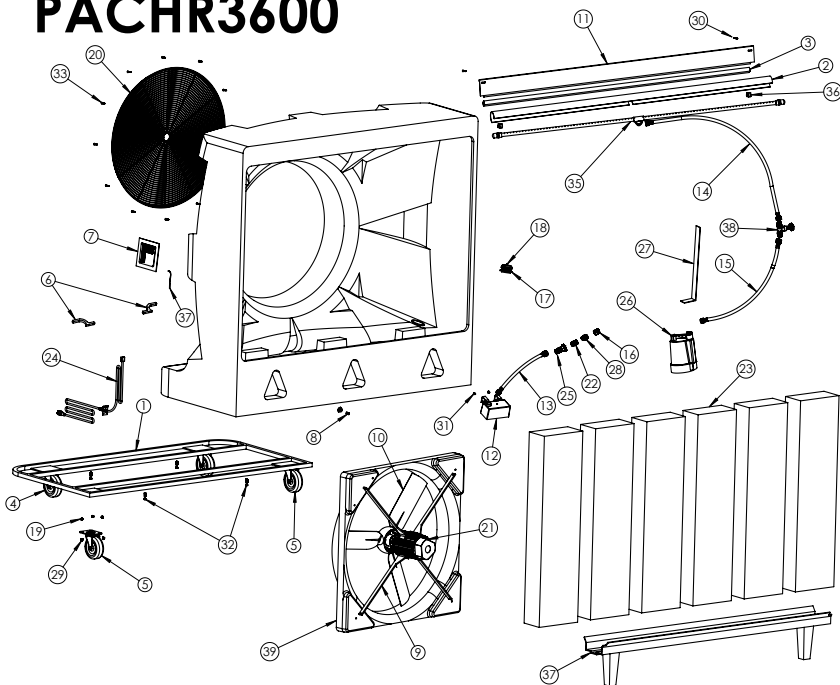
revised 11/05/12



ITEM #	PART #	DESCRIPTION	ITEM #	PART #	DESCRIPTION
1	BASE-2K36	CADDY	21	MOTOR-012-05	1/2 HP DIRECT DRIVE VOSTERMAN MOTOR
2	BLADE-ASSM-01	VOSTERMAN 36" FAN BLADE ASSEMBLY	22	N-516-NYLOK	5/16-18 NYLOK NUT
3	BONNET-01	SPRAY BAR BONNET FOR 36" PAC	23	PAC-PLB-01	BRASS INLET FITTING
4	BOX-UL-03	ELECTRICAL BOX	24	PAD6048/G	PAD FOR 36" PAC (5 per unit)
5	BRACE-36-02	BONNET BRACE	25	POWERCORD-01	ELECTRICAL CORD FOR PAC
6	CASTERS-HD-4	HEAVY DUTYSWIVEL CASTER	26	PRES-REG-01	WATER PRESSURE REGULATOR
7	CASTERS-HD-4L	HEAVY DUTY LOCKING SWIVEL CASTER	27	PUMP-016-4R	SUBMERSIBLE 1/6 HP PUMP
8	CTRL-KNOB-01	LONG EXT. KNOB FOR CONTROL SWITCH	28	PUMP-ACC-13	PUMP BRACKET- 1/6 HP PUMP
9	CTRL-VS-01	VAR. SPD. SWITCH SET FOR 36" HPVS	29	PVC-ADP-01	3/4" X 1/2" REDUCING ADAPTER
10	DRAIN-01	1/2" BOILER DRAIN	30	S-004	1/4-20 X 1/2" BOLT FOR FLOAT
11	FANH-BOOTS	BOOTS FOR 36" MTR CONNECTS TO ARMS	31	S-006	#12 X 1 1/4" TEK SCREW
12	FAN36HP-MNT-01	PI-CD 3VP1006 MOTOR SUPPORT ARM-36" PAC	32	S-007	5/16-18 TRUSS HEAD SCREW
13	FLAP-36-01	FRONT FLAP FOR 36" PAC	33	S-009	10-24 X 3/4" TRUSS HEAD SCREW
14	FLOAT-02	FLOAT VALVE	34	SPRAY-06	SPRAY BAR FOR 36" PAC
15	FLOATSWITCH-01	WATER PUMP SHUT OFF SWITCH	35	SPRAY-ACC-04	CLAMP FASTENER 1029
16	HOSE-FF24	FEM/FEM HOSE 24" LONG	36	SWITCHPL-VARSPD	SWITCH COVER PLATE VAR. SPD.
17	HOSE-FF50	FEM/FEM HOSE 50" LONG	37	TROUGH-01	PAD TROUGH FOR 36" PAC
18	HOSE-FM30	FEM/MALE HOSE 30" LONG	38	VALVE-01	1/2" GATE VALVE
19	HOSE-FTG-07	FEM/FEM 3/4" BRASS SWIVEL	39	VENTURI-36-01	36" FAN VENTURI
20	MESH-PAC-02	FAN SCREEN FOR 36" PAC			

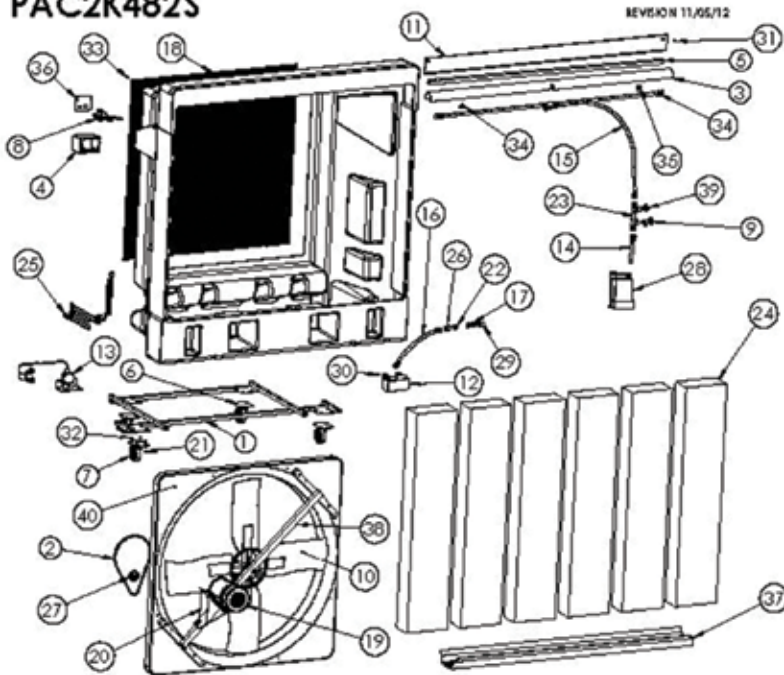
220/50 and 220/60 models require additional parts. Please contact Customer Service at 936-598-5651 for assistance

PACHR3600



ITEM #	PART #	DESCRIPTION	ITEM #	PART #	DESCRIPTION
1	BASE-SD-36	CASTER BASE ASSEMBLY 36" (HURRICANE)	21	MOTOR-034-01	36" SD 3/4HP VAR SPD MOTOR (HESSAIRE)
2	BONNET-04	SPRAY BAR BONNET FOR 48" PAC	22	PAC-PLB-01	BRASS INLET FITTING
3	BRACE-48-03	BONNET BRACE FOR 48" UNIT	23	PADG048/G	PAD FOR 36" PAC (5 per unit)
4	CASTERS-HD-6	HD 6" SWIVEL CASTER	24	POWERCORD-01	16' ELECTRICAL CORD
5	CASTERS-HD-6L	HD 6" LOCKING SWIVEL CASTER	25	PRES-REG-01	WATER PRESSURE REGULATOR
6	CORD-WRAP-01	CORD WRAP (2EA)	26	PUMP-016-4Z	ZOELLER 1/4HP SUBMERSIBLE PUMP
7	CTRL-VS-11	ELECTRONIC TOUCH PAD CONTROL	27	PUMP-ACC-18	24" JETSTREAM PUMP BRACKET
8	DRAIN-PLUG-34	3/4" NPT PLUG	28	PVC-ADP-01	3/4" X 1/2" REDUCING ADAPTER
9	FAN36HP-MNT-01	MOTOR SUPPORT ARM FOR 36HPVS	29	S-007	5/16-18 TRUSS HEAD SCREW
10	FAN-ASSM-34	36" SD FAN 3 BLADE ASSEM.	30	S-009	10-24 X 3/4" TRUSS HEAD SCREW
11	FLAP-48-01	FRONT FLAP FOR 48" PAC	31	S-015	1/4-20 X 3/8 MACHINE SCREW
12	FLOAT-02	FLOAT VALVE	32	S-017	5/16-18 X 1.5" TRUSS HEAD SCREW
13	HOSE-FF	FEM/FEM HOSE 24" LONG	33	S-026	12-14 (1") TEK SCREW
14	HOSE-F68	68" SINGLE FEMALE HOSE	34	SENSOR-TEMP-11	TEMPERATURE SENSOR KIT
15	HOSE-F37	SINGLE FEMALE HOSE 37" LONG	35	SPRAY-08	SPRAY BAR FOR 48" PAC
16	HOSE-FTG-05	FEM/FEM 3/4" BRASS SWIVEL	36	SPRAY-ACC-04	CLAMP FASTENER 1029
17	JS-ACC-01	2" OD TREADED RING	37	TROUGH-03	PAD TROUGH FOR 48" PAC
18	JS-ACC-02	2" THREADED CAP	38	VALVE-01	1/2" GATE VALVE
19	LOCKNUT-FNG-516	5/16-18 NYLON INSERT LOCKNUT	39	VENTURI-38-01	36" FAN VENTURI
20	MESH-PAC-34	36" SUPER-DUTY FAN GUARD SCREEN			

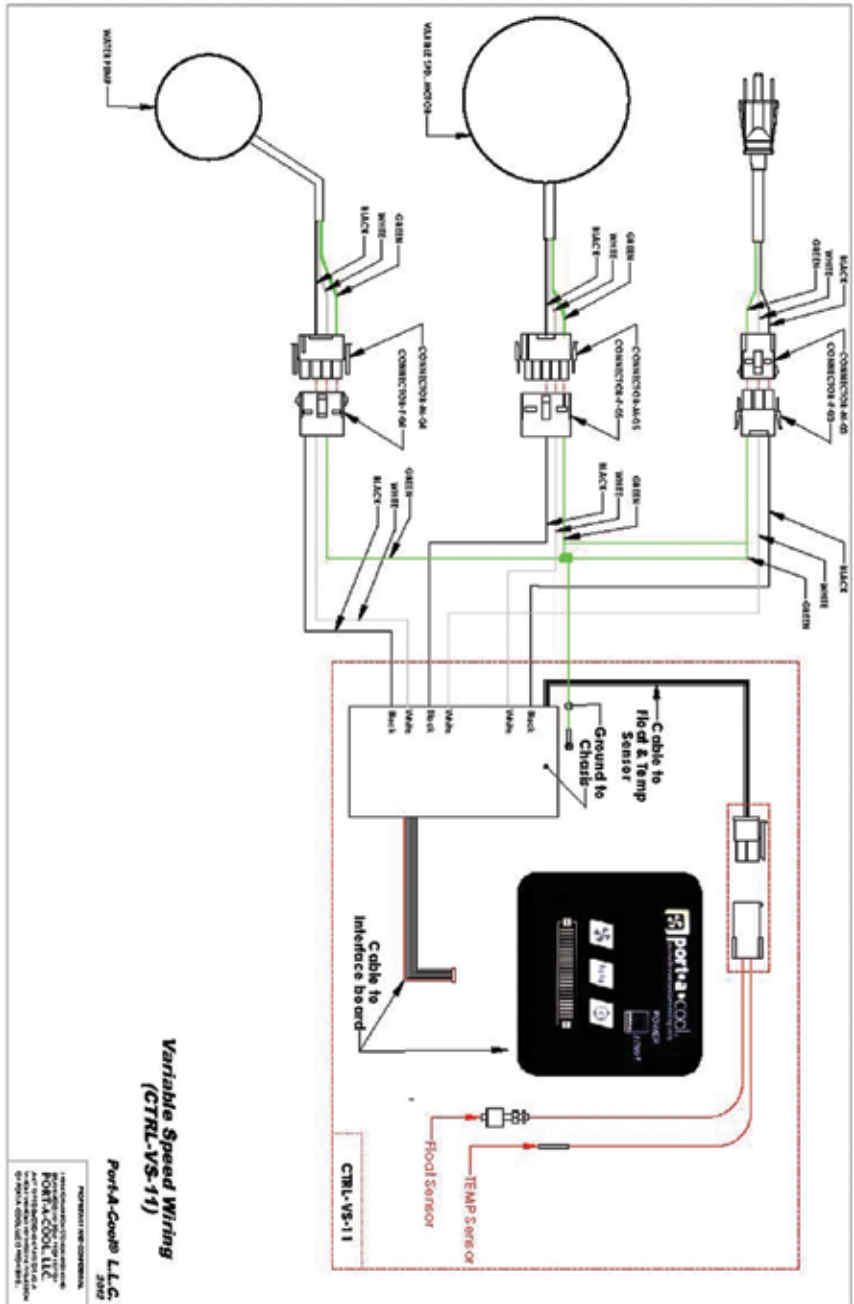
PAC2K482S



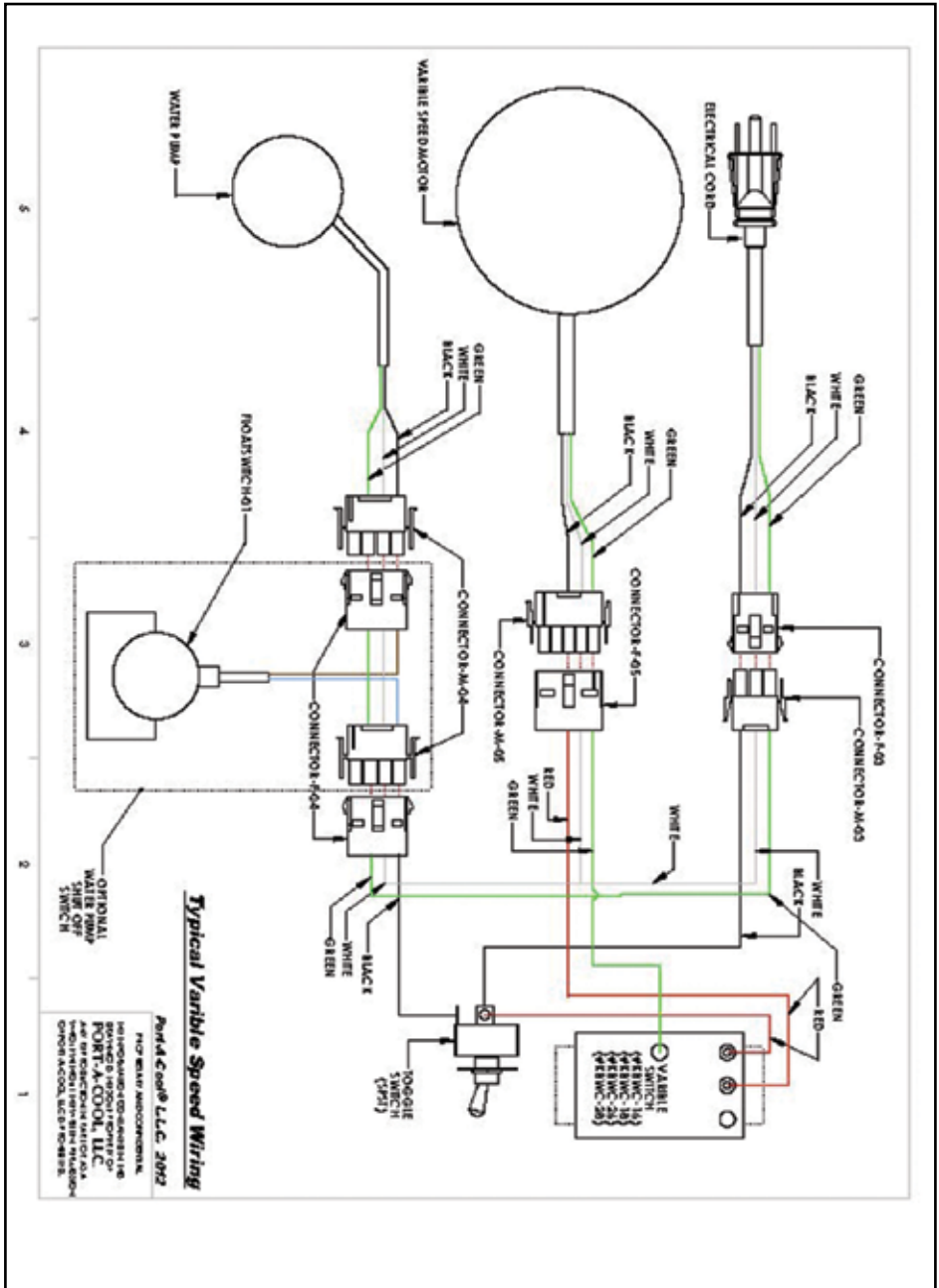
ITEM#	PART #	DESCRIPTION	ITEM#	PART #	DESCRIPTION
1	BASE-2K48	CADDY	21	N-516-NYLOK	5/16-18 NYLOK NUT FOR CASTERS
2	BELT2K-45-01	A-45 FAN BELT	22	PAC-PLB-01	BRASS INLET FITTING
3	BONNET-04	SPRAY BAR BONNET	23	PAC-PLB-02	BLACK PLUMBING ASSEMBLY
4	BOX-UL-02	2 SPD ELECTRICAL BOX	24	PAD6060/G	PAD FOR 48" PAC (6 per unit)
5	BRACE-48-03	BRACE FOR BONNET	25	POWERCORD-01	ELECTRICAL POWER CORD
6	CASTERS-8	8" CASTERS	26	PRES-REG-01	WATER PRESSURE REGULATOR
7	CASTERS-8L	8" LOCKING CASTERS	27	PULLEY-3.25	3.25 MOTOR PULLEY
8	CTRL-2SPD-01	2 SPEED SWITCH SET	28	PUMP-016-4R	1/6 1/6HP SUBMERSIBLE PUMP
9	DRAIN-01	1/2" BOILER DRAIN VALVE	29	PVC-ADP-01	3/4" X 1/2" ADAPTER
10	FAN-ASSM-05	FAN BLADE ASSEMBLY FOR 48" UNIT	30	S-004	1/4-20 X 1/2" BOLT FOR FLOAT
11	FLAP-48-01	FRONT FLAP FOR 48" PAC	31	S-006	#12 X 1 1/4" TEK SCREW
12	FLOAT-02	FLOAT VALVE	32	S-007	5/16-18 TRUSS HEAD SCREW FOR CASTERS
13	FLOATSWITCH-01	WATER PUMP SHUT OFF SWITCH	33	S-009	10-24 X 3/4" TRUSS HEAD SCREW
14	HOSE-FF37	1/2" X 37" FEM/FEM HOSE PLB TO PUMP	34	SPRAY-08	SPRAY BAR FOR 48" PAC
15	HOSE-FF68	1/2" X 68" FEM/FEM HOSE SPRAY BAR TO PLB	35	SPRAY-ACC-04	CLAMP FASTENER 1029
16	HOSE-FM25	1/2" X 25" MALE/FEM HOSE INLET TO FLOAT	36	SWITCHPL-2SPD	2SPD SWITCH COVER PLATE
17	HOSE-FTG-05	FEM/FEM 3/4" X 3/4" SWIVEL	37	TROUGH-03	PAD TROUGH FOR 48" PAC
18	MESH-PAC-06	FAN SCREEN	38	UPRIGHTS-48	UPRIGHT FOR 48" UNIT
19	MOTOR-010-01	1HP/2SPD MOTOR FOR 48" UNIT	39	VALVE-01	1/2" GATE VALVE
20	MOTOR-MNT-48	MOTOR MOUNT FOR 48" UNIT	40	VENTURI-48-02	VENTURI FOR 48" PAC FAN ASSEMBLY

220/50 and 220/60 models require additional parts. Please contact Customer Service at 936-598-5651 for assistance

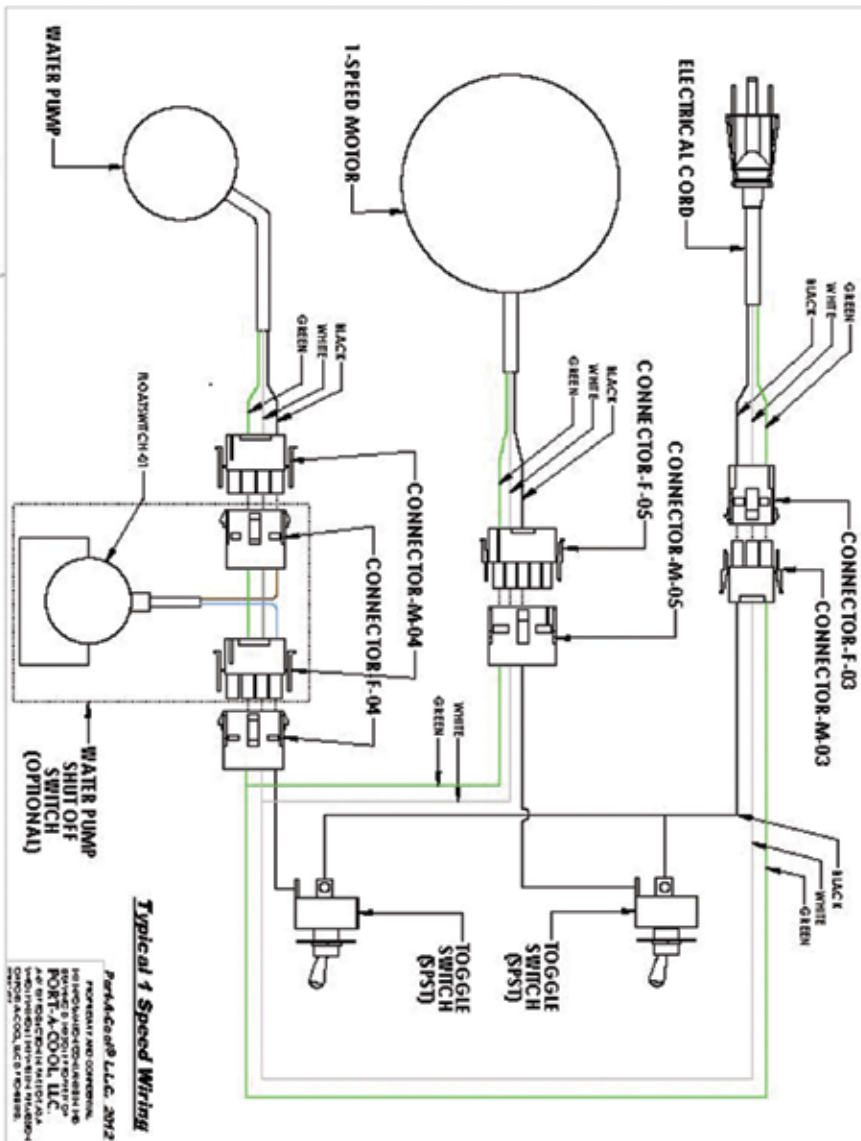
WIRING DIAGRAM for HURRICANE MODEL



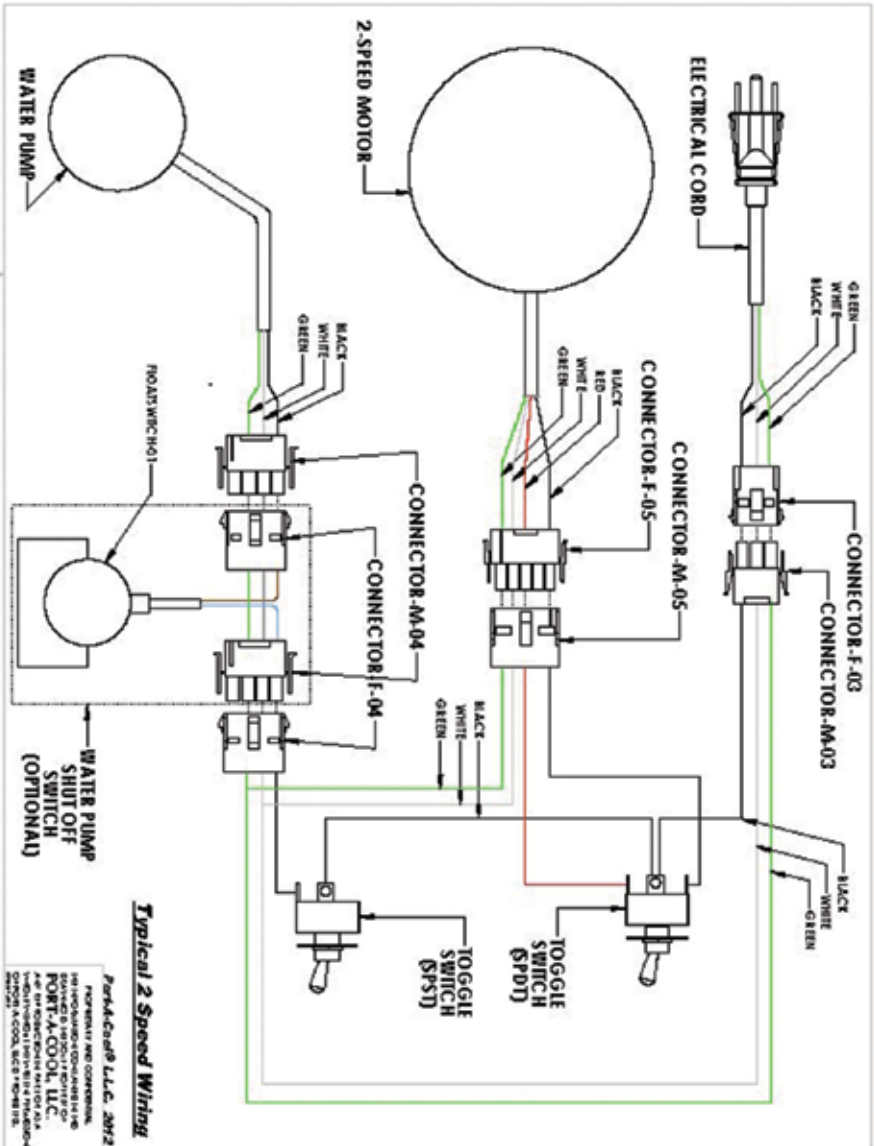
WIRING DIAGRAM for VARIABLE SPEED MODELS



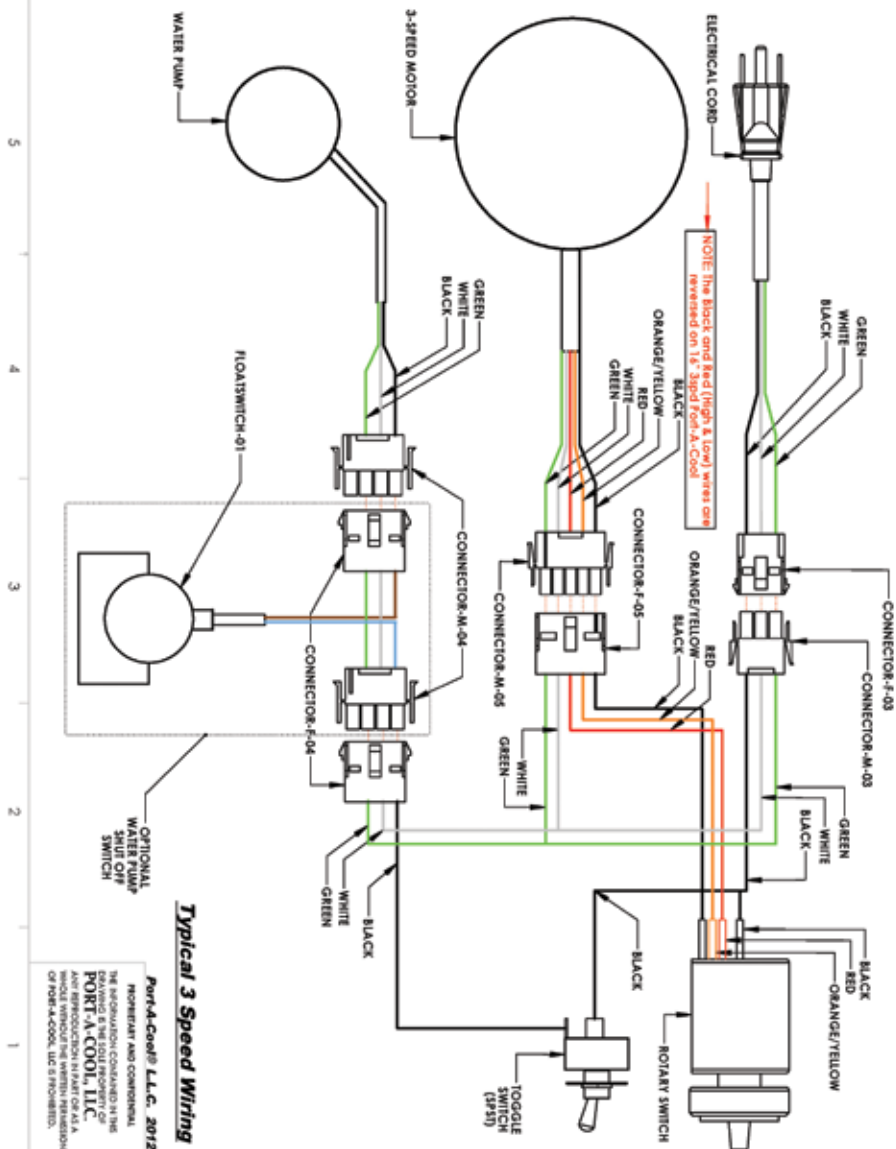
WIRING DIAGRAM for ONE-SPEED MODELS



WIRING DIAGRAM for TWO-SPEED MODELS



WIRING DIAGRAM for THREE-SPEED MODELS





Port-A-Cool® Products and Accessories
and
KÜÜL® Pads Cooling Media
are manufactured by
Port-A-Cool, LLC

P.O. Box 2167 • 709 Southview Circle • Center, TX 75935
Phone 936-598-5651 • 800-695-2942
www.port-a-cool.com