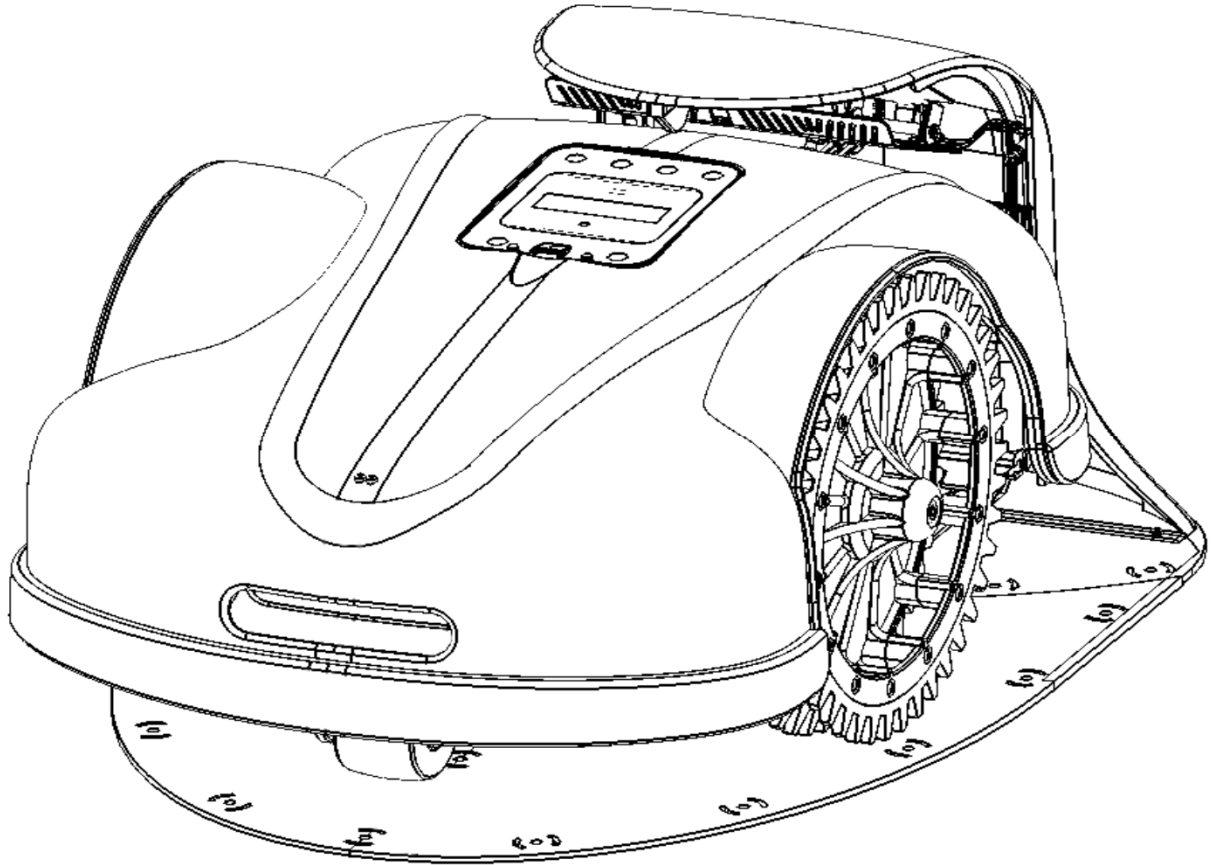


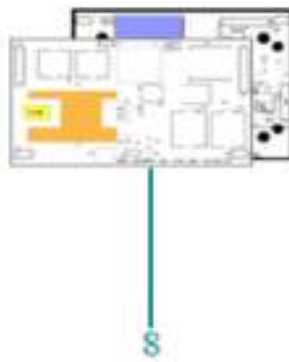
Spare Parts List

(USA)



Spare Parts List for:
LB75DX



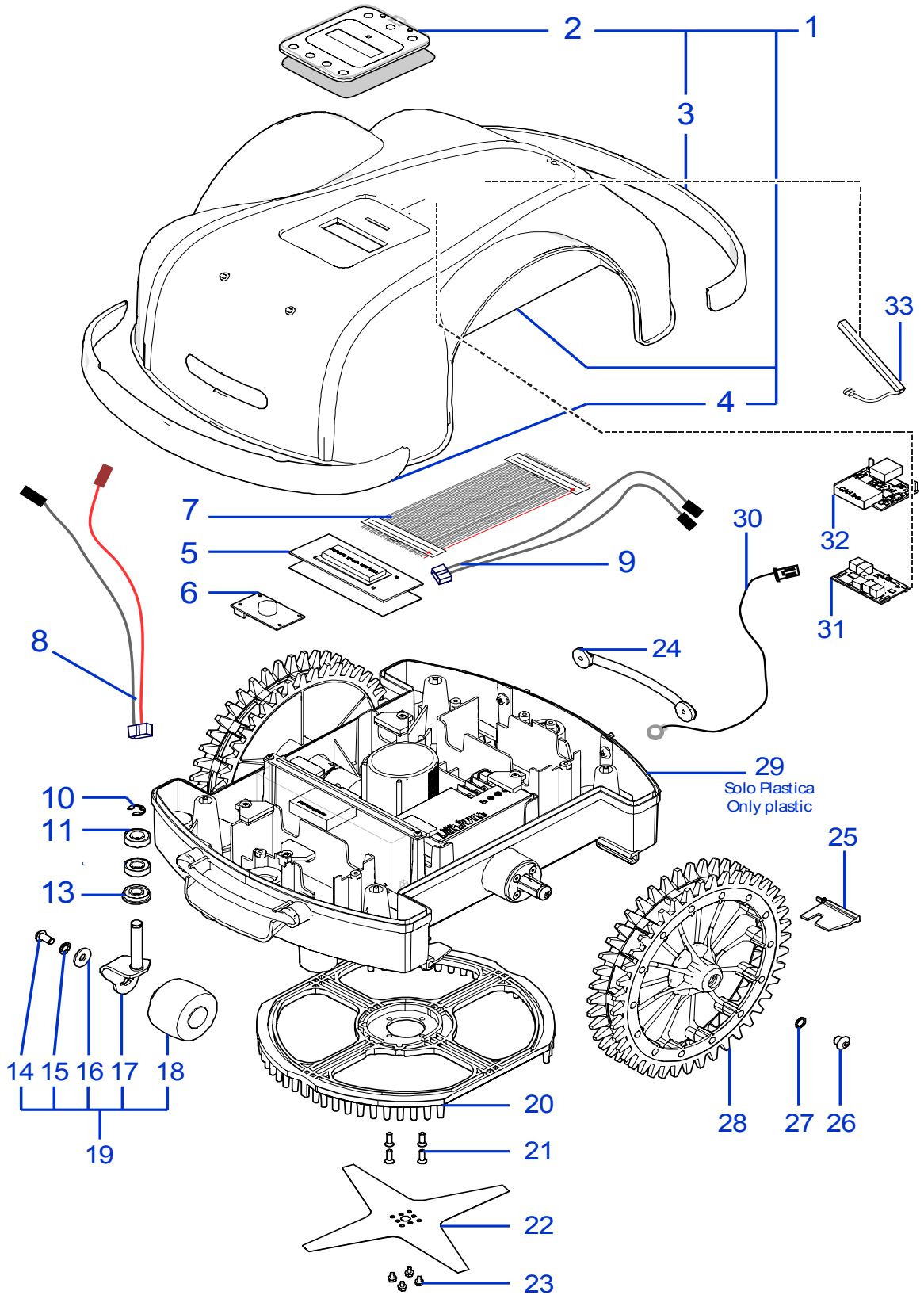


Tab.

01

0

No.	Part Number	Qty	Notes	Description	Qty. Price
1	CS_M_85AM-14	1		User Manual	1
2	101075	1		External Packaging	1
2	075Z09700A	1		Packaging Polystyrene	1
3	CS_C0109	1	200 Gr	Grease	1
4	AMBCAPROG	1		Programming Cable	1
5	CS_E0002OS	1	330ft	Perimeter Wire	1
5	CS_E0002	1	500ft	Perimeter Wire	1
6	AMBCHFEFI_1	1	(100 PCS)	Pegs	100
6	AMBCHFEFI	1	(200 PCS)	Pegs	200
7	075_D005	1		Screw Driver	1
8	CS_GSM-GPRS	1	Only L85 Elite	GPRS Board kit	1

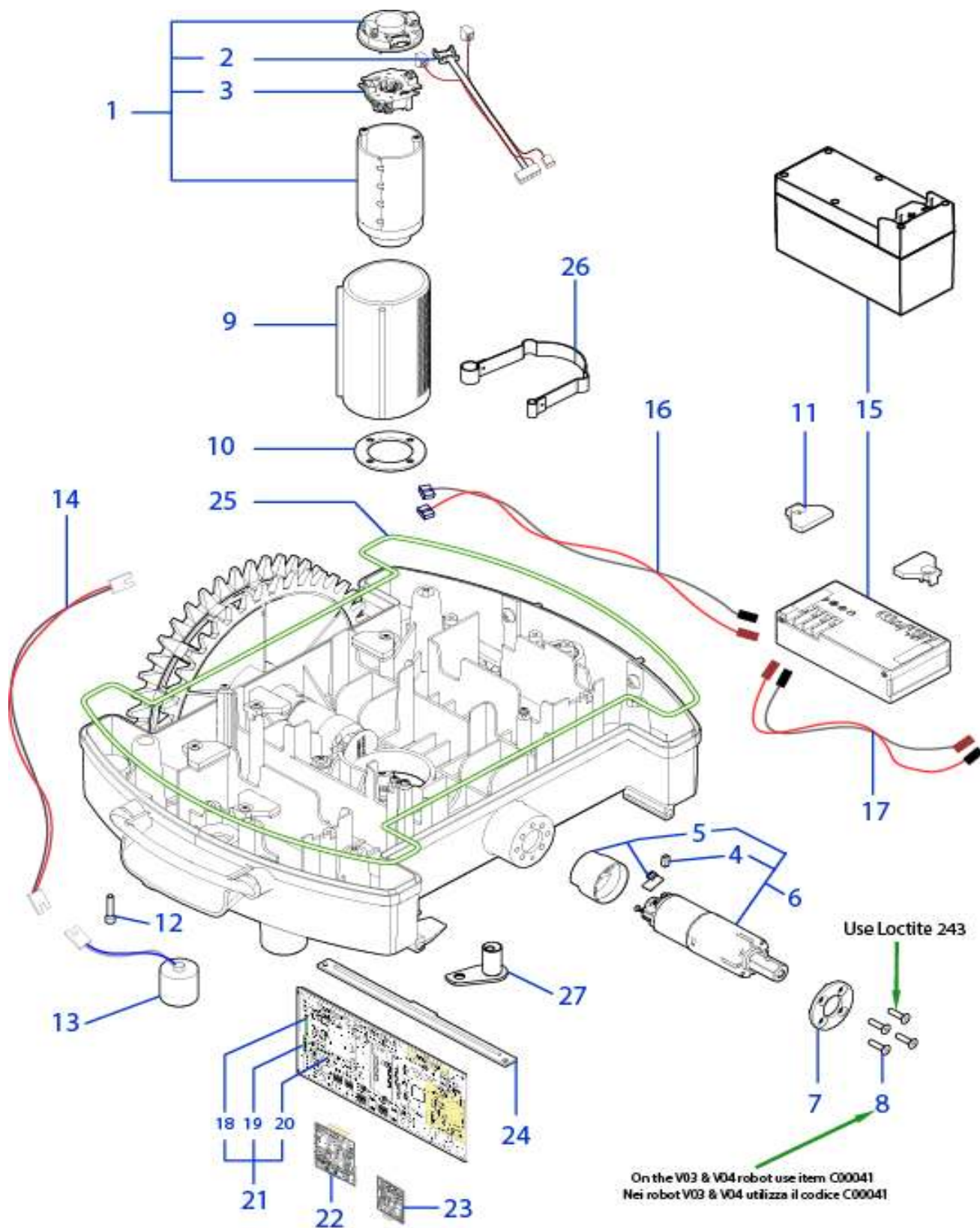


Tab.

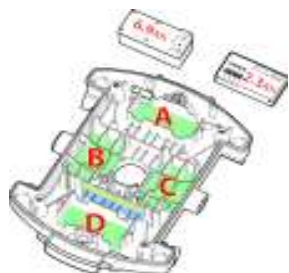
02

0

No.	Part Number	Qty	Notes	Description	Qty. Price
1	075Z08900A	1	L75 Deluxe	Cap Set	1
1	085_A0010_L	1	L85 Elite	Cap Set	1
2	075Z19200A	1		Keyboard	1
3	075Z05000A	1		Bumper	1
4	075Z04900A	1		Bumper	1
5	200E01000A	1		Display	1
7	CB01_DI6	1		Cabling CPU-Display	1
8	CB01_L75	1		Recharge Cabling	1
9	CB02_L75	1		Rain Sensor Cabling	1
10	CS_C0030	2		Seger	100
11	CS_C0016	4		Bearing	1
13	CS_A0005_D	2		Cover	1
14	C00678	2		Screw	8
15	C00360	2		Washer	8
16	C00361	2		Washer	8
17	075Z03600A	2		Wheel Shaft	1
18	075Z03700A	2		Front Wheel	1
19	075Z03200A	2		Wheel Group	1
20	075Z07600A.1	1		Blade Guard	1
21	C00252	4	M5x20	Screw	10
22	075Z07800A	1	Ø25 Cm	Blade	1
23	C00212	1	M4x8	Screw	100
24	50_D0045_00	2		Safety Handle	1
25	075Z05500A	4		Rubber Flap x 2 teeth	8
25	075Z10700A	4		Rubber Flap x 3 teeth	8
26	C00963	2	M8x20	Screw	10
27	C00217	2		Washer	10
28	075Z02000A	2		Wheel 2 teeth	1
28	075Z10400A	2		Wheel 3 teeth	1
28	075Z19500A	2		Rubber Wheel	1
29	075Z06800A	1		Body (Chassis)	1
30	CB05_L75	1	2 Wires	Handle Cabling	1
31	400E02200A	1	Only L85 Elite	GPRS Board	1
32	400E02400A	1	Only L85 Elite	Serial Exp.	1
33	CS_ANT_GSM	1	Only L85 Elite	Antenna	1



No.	Part Number	Qty	Notes	Description	Qty. Price
1	CS_C0009/F_2	1	Brush Robot	Group Cutting Motor	1
1	CS_C0009/212	1	Brushless Robot	Group Cutting Motor	1
2	CS_D0122_01	1	Only x Brush	Blade Encoder	1
3	CS_C0121_01	1	Only x Brush	Brush & Brush housing	1
3	CS_C0058	2	Only x Brush	Blade Brush	1
4	075_D0014	4	Only x Brush	Brush	1
5	075_D0232	2	Only x Brush	Kit Encoder	1
6	075Z08500A	2	Brush Robot	Motor Reducer	1
6	075Z11000A	2	Brushless Robot	Motor Reducer	1
	075Z06900A	2		Wheel Support	1
	C01317	8		Screw	100
9	075Z04500A	1		Motor Support	1
10	400Z07500A	1		Support	1
11	110Z12900A	2		Battery Clamp	1
12	C00067	4	M5X25	Screw	10
13	CS_C0004_L	2		Coil	1
14	CB06_L75	1		Cabling Coil-Receiver	1
15	075Z01300A	1-2	Lithium (25.2V 2.3A)	Battery	1
15	CS_C0106/1	1	Lithium (25.2V 6.9A)	Battery - Type B	1
16	CB03_L75	1		Cabling CPU-Battery	1
17	CB04_L75	0-1		Cabling Battery-Battery	1
18	A210517	1	F4 - 250V 630mAD	Fuse	10
19	A210543	1	F3 - 32V 30A	Fuse	10
20	A210540	1	F1 - 32V 1A	Fuse	10
21	AM2010-75D	1	V4E Deluxe	Motherboard	1
21	AM2010-75E	1	V4E Evolution	Motherboard	1
21	AM2010-75L	1	V4E Elite	Motherboard	1
21	AM2000-75D	1	V3 Deluxe	Motherboard	1
22	50_E0055_00	1	RX-S1	Receiver	1
	051E00400A	1	(IOS + Android)	Bluetooth Receiver	1
24	200Z03000A	1		Board Block	1
25	075Z09400A	1		Gasket	1
26	075Z08700A	1		Elastic Plate	1
27	075Z07200A	1		Fixing Plate	1

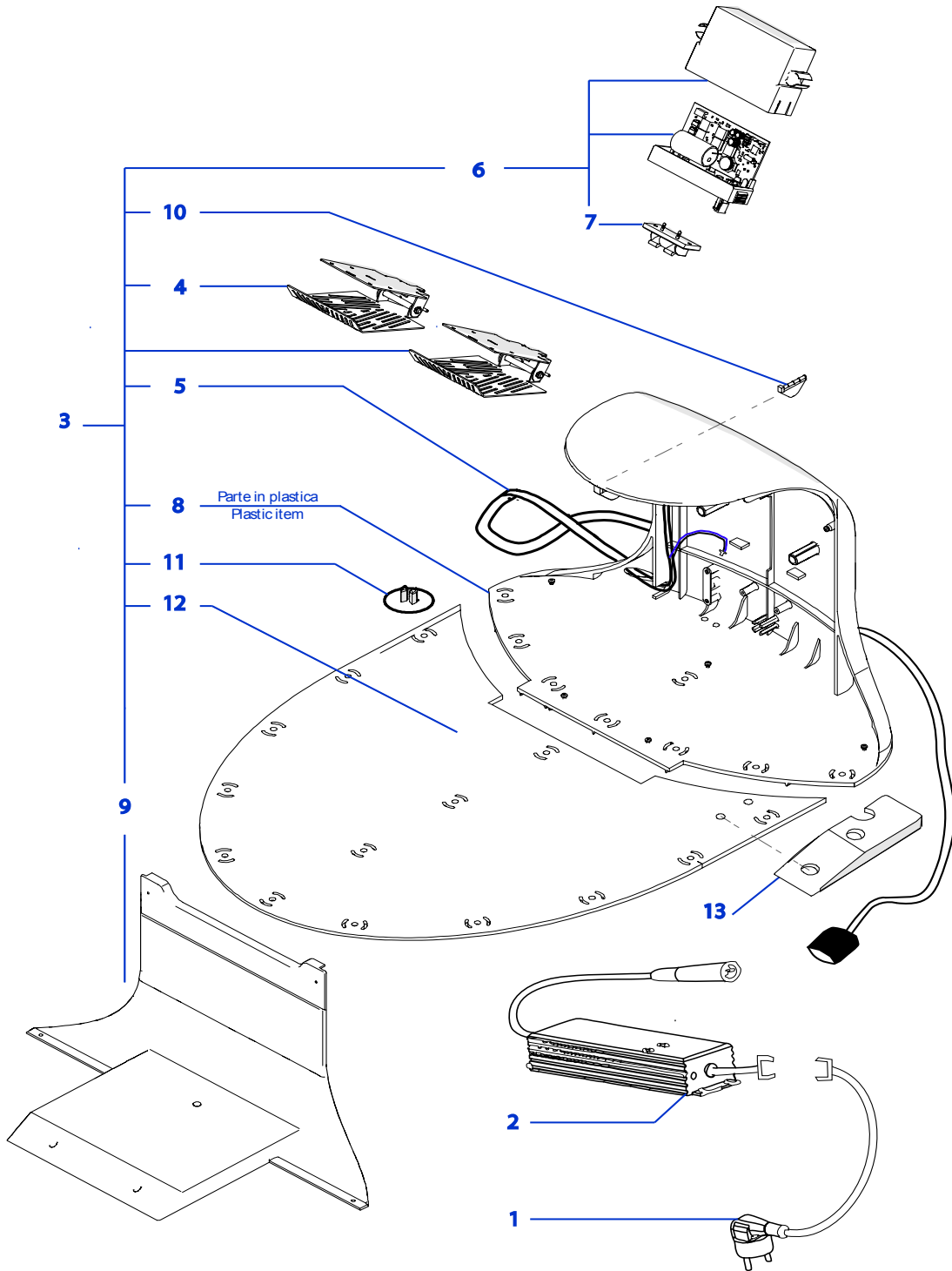


Battery installation position

Robot with 1 x 2.3Ah : A=2.3Ah (V3 ,V4E Models)

Robot with 2 x 2.3Ah : A=2.3Ah, D=2.3Ah (V3 Models)

Robot with 2 x 2.3Ah : A=2.3Ah, C=2.3Ah (V4E Models)



Tab.

04

0

No.	Part Number	Qty	Notes	Description	Qty. Price
1	50_C0004_00	1		Supply Cable	1
2	50_E0009_00	1	Deluxe, Evolution	Battery Charger 2.3Ah	1
2	CS_CLG150-30	1	Elite	Battery Charger 5Ah	1
3	075Z06200A	1		Complete Base	1
4	300Z11400A	2		Recharging Plate	1
5	CB01_5075RIC_V0	1		Recharging Supply Cable	1
6	050Z22700A	1	TX-S1	Trasmitter	1
7	A222522	1		Connector	1
8	075Z06300A.1	1		Plate Support	1
9	075Z06400A	1		Cap	1
10	075Z06700A	1		Rubber	1
11	C01101	1		Clips	12
12	075Z06500A	1		Base	1