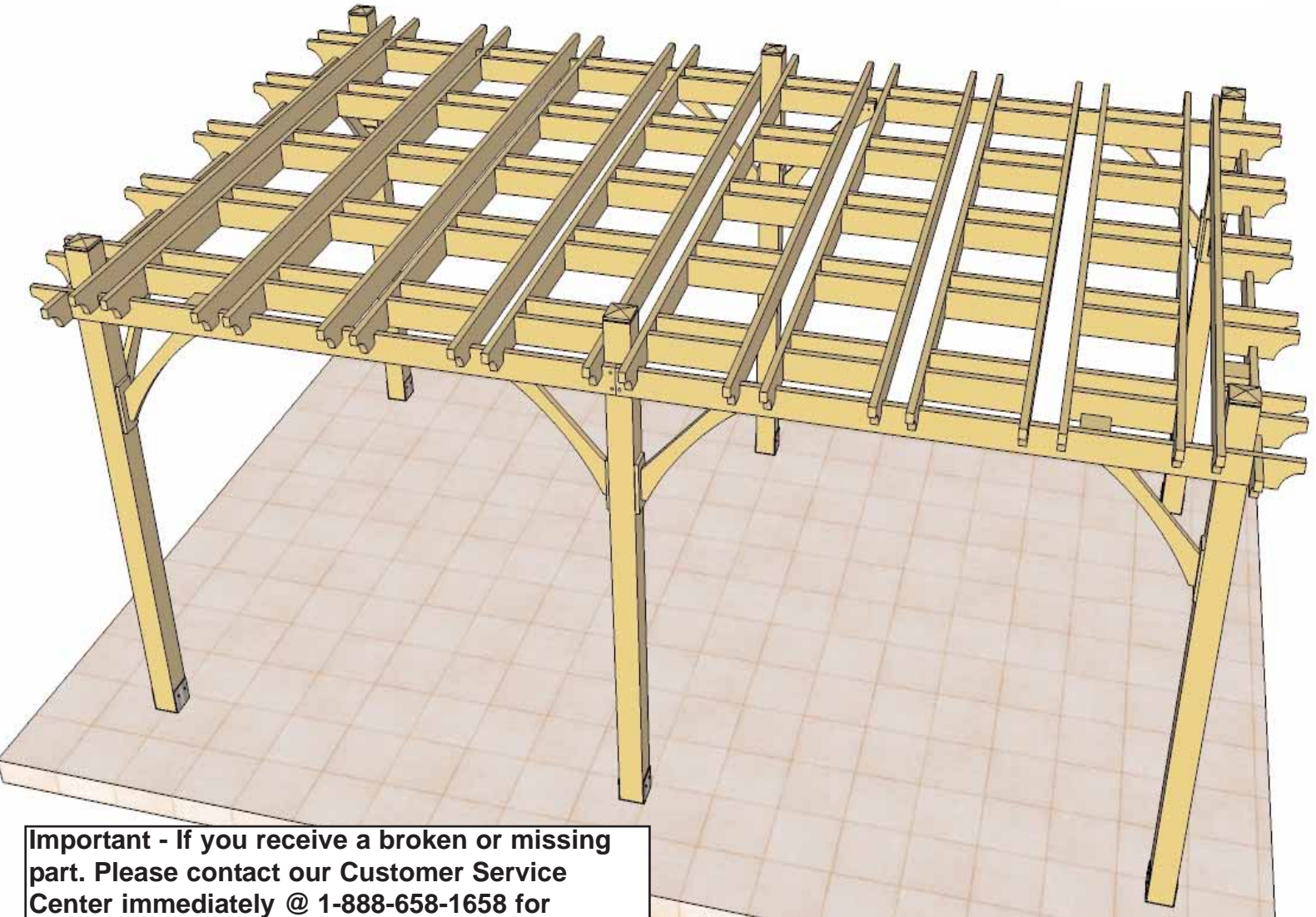


# 12ft X 20ft Breeze Pergola Assembly Manual

## Outdoor Living Today

Revision #3  
Feb /2007



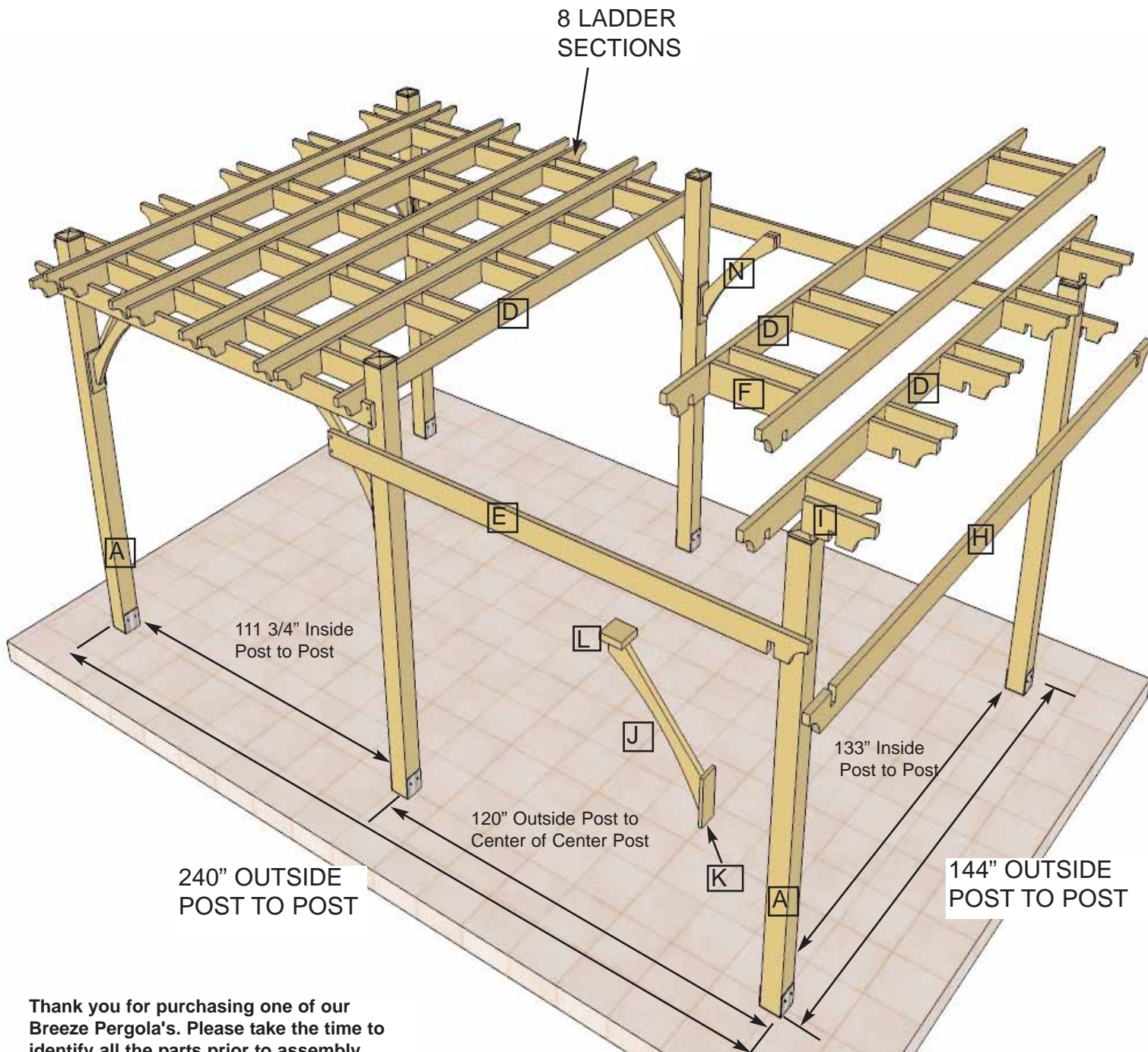
**Important - If you receive a broken or missing part. Please contact our Customer Service Center immediately @ 1-888-658-1658 for assistance.**

**Important - Western Red Cedar Lumber and Timbers will have surface splitting that occurs as lumber seasons and dries to the moisture content in your area. Splitting or "checking", as it is referred to, can be 1/8" to 1/4" wide and can run several feet. This does not diminish the structural integrity of the material in any way.**

Note: Post Mounting Hardware is NOT included in this kit. Please confirm with your local building permit office to determine the correct hardware in your area.

**Customers agree to hold Outdoor Living Today and any Authorized Dealers free of any liability for improper installation, maintenance and repair of any Outdoor Living Today products.**

# 12X20 BREEZE PERGOLA



8 LADDER SECTIONS

Thank you for purchasing one of our Breeze Pergola's. Please take the time to identify all the parts prior to assembly.

**Parts Lists:**

Part	T	Finished Size		Qty.
		W	L	
A - Posts	5 1/2"	5 1/2"	108"	6
D - Main Joist (shallow notch on bottom)	1 1/2"	5 1/2"	162"	18
E - Side Girder (deep notch on bottom)	1 1/2"	5 1/2"	129"	4
F - Blocking	1 1/2"	5 1/2"	19"	80
H - End Girder (deep notch on top)	1 1/2"	5 1/2"	162"	2
I - Stub Joist	1 1/2"	5 1/2"	14 1/2"	20
J - Corner Bracket	1 1/2"	5 1/2"	36"	8
K - Corner Bracket Post Mount	3/4"	4 1/2"	10 1/2"	12
L - Corner Bracket Joist Mount	1 1/2"	5 1/2"	5 1/2"	8
N - Center Post Corner Bracket (w / spacer) (2 Left / 2 Right)	1 1/2"	5 1/2"	36"	4
O - Post Skirting (not shown in picture)	6 Pkgs (4 skirting pcs / 4 top caps - 45 degree cut)			

**Plus Hardware Kit that includes;**

- ( 2" , 3" , 4" Deck Screws)
- 3/8" Lag screws
- 3/8" flat washers

**Tools Required:**

- Work Gloves,
- Screw Gun with square drive bit
- 9/16" wrench
- Level
- 2 Tall Step Ladders
- Hammer

**Assembly Time:**

1 Day (does not include site preparation)

**Specifications:**

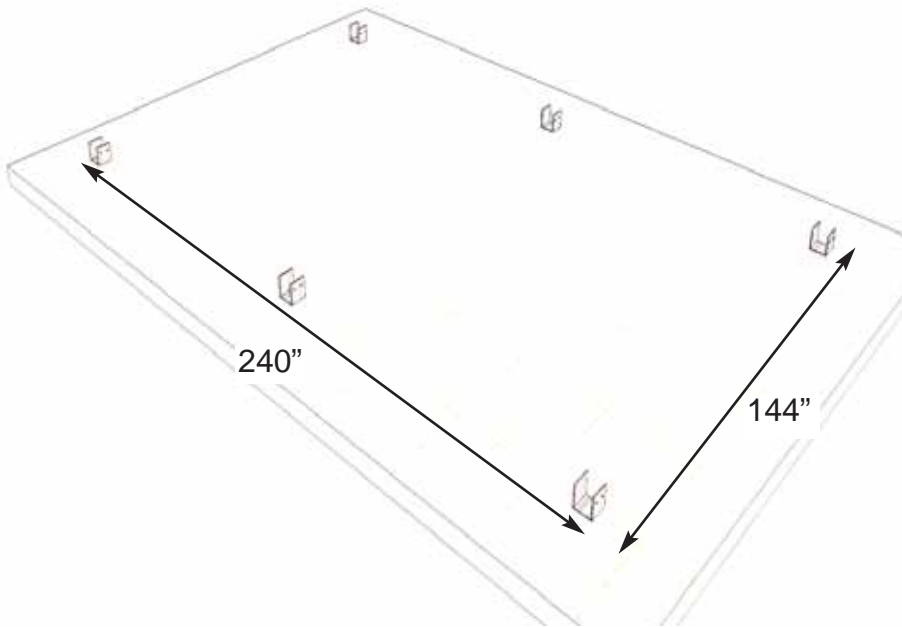
Outside Dimension: 240" x 144" x 108" high  
900 Lbs

## Laying out your Footprint

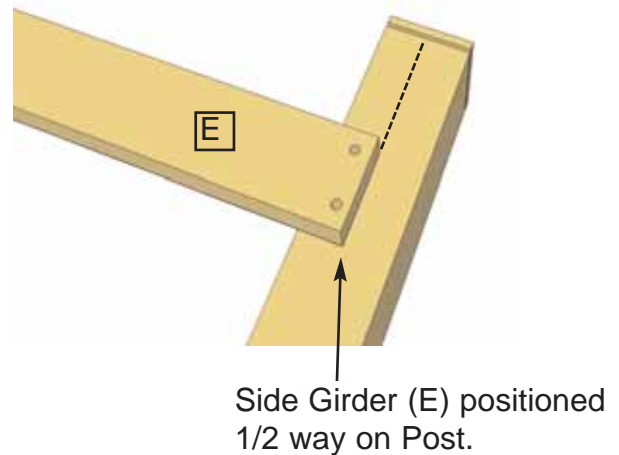
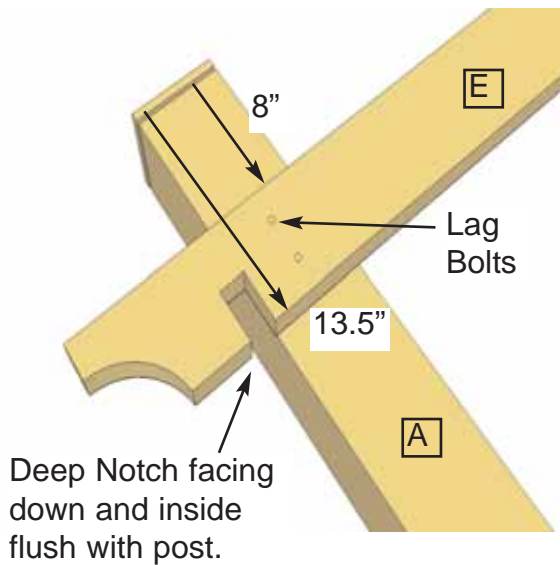
To determine the proper placement of your 5.5" x 5.5" Posts, see the exploded view on Page 2 to find the measurements and to determine their correct positions. Outside Post to Post measurements for the 12'x20' Breeze are: 240" x 144".

Take diagonal measurements to check your layout for square.

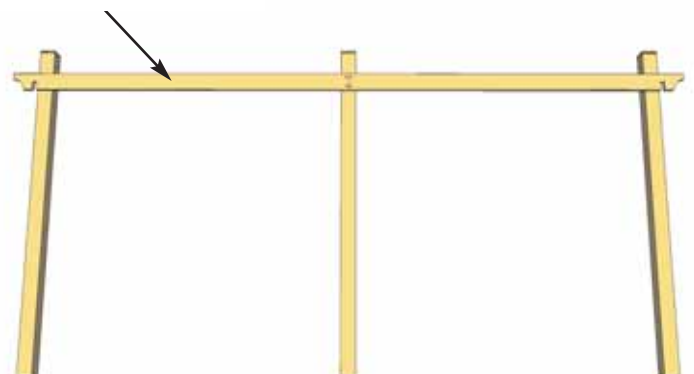
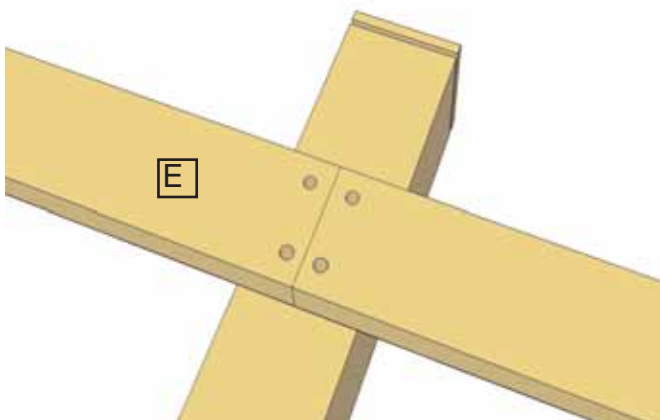
We recommend that you fix Posts to ground using Steel Post Bases or Saddle Brackets fixed on cement footing. If attaching Posts to pre-existing deck, we recommend that you purchase Post / Deck Mounting Brackets. In both cases, Post Mounting hardware can be found at most Hardware Stores.

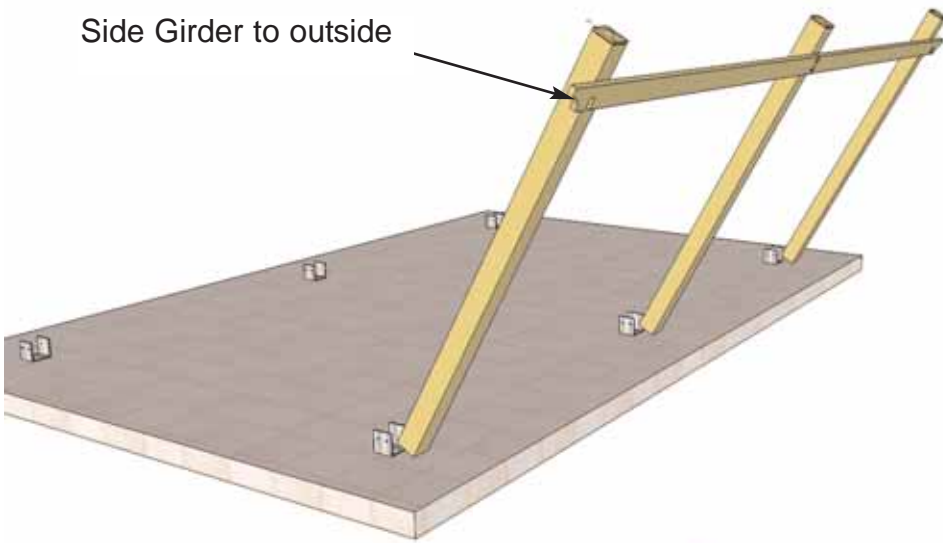


1. On flat level ground, lag-bolt Side Girder (E) to two Posts (A) approximately 8" from top of Post. Side Girder is square cut on one end. Complete 2 sets of Side Girder / Post sections.



Completed Post/ Side Girder Section.

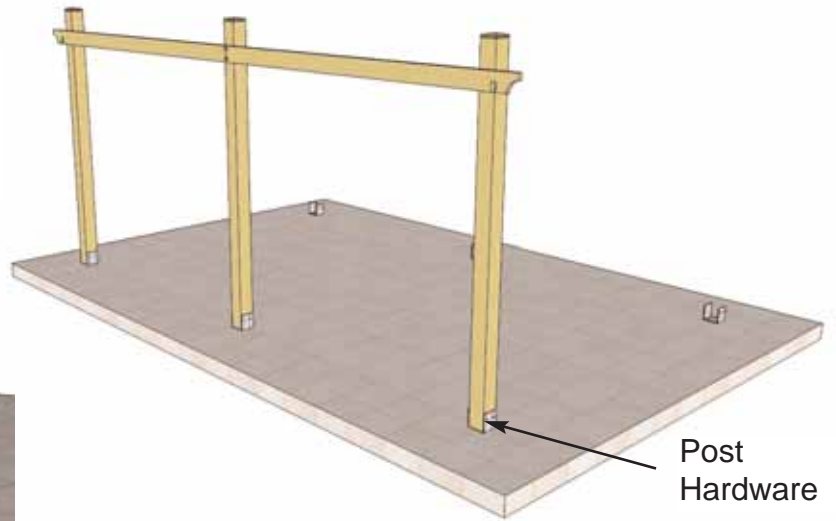




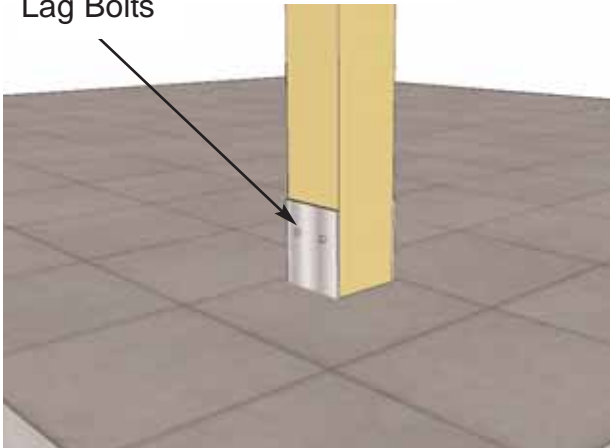
**Important:** you will need the help of 2-3 people while lifting and positioning the completed Post / Side Girder Sections into place.

**2.** Lift up a completed Post/Girder section slowly and carefully. Make sure Side Girders are facing outward.

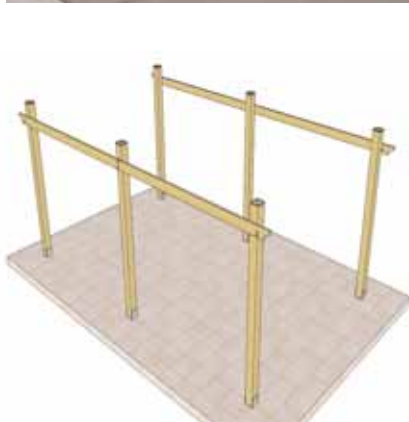
**3.** Position bottom of Posts in your existing Post Hardware.



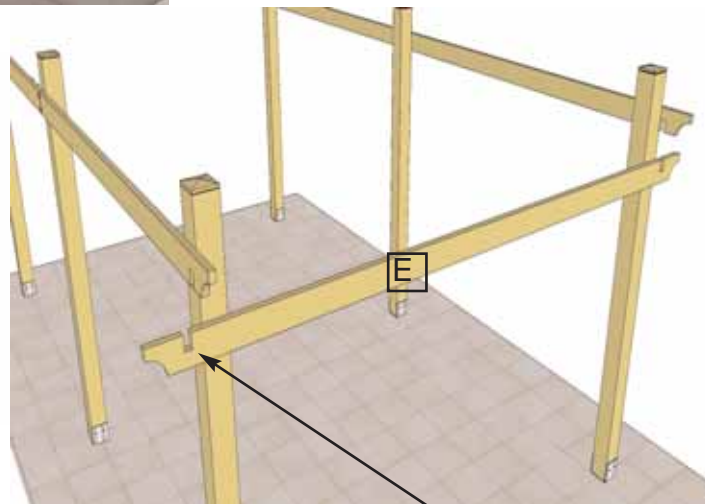
Lag Bolts



**4.** Secure Post to Post Hardware with appropriate hardware such as lag bolts or a sufficient number of screws.

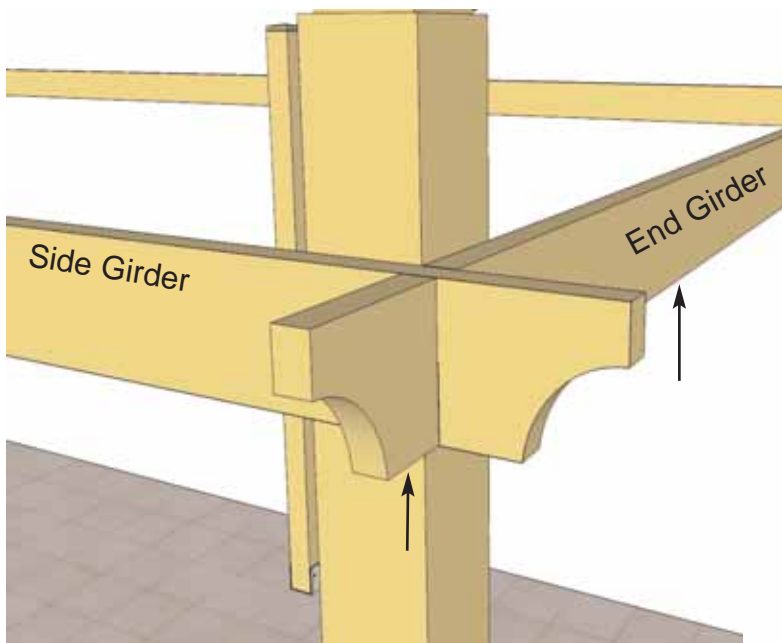


Lift, position and attach the second Post/ Side Girder section to post hardware.

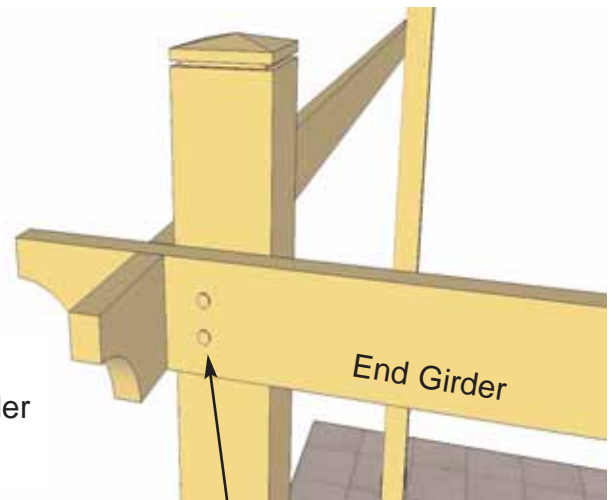


**5.** Locate End Girder (H) and lift into position between both Side Girders. The End Girder has a deep notch facing up on each end.

Deep Notch facing Up.

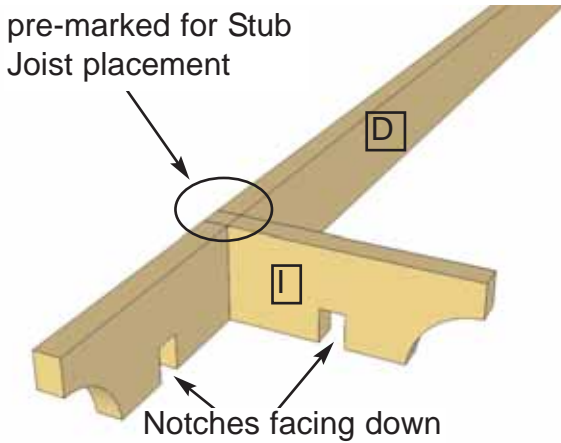
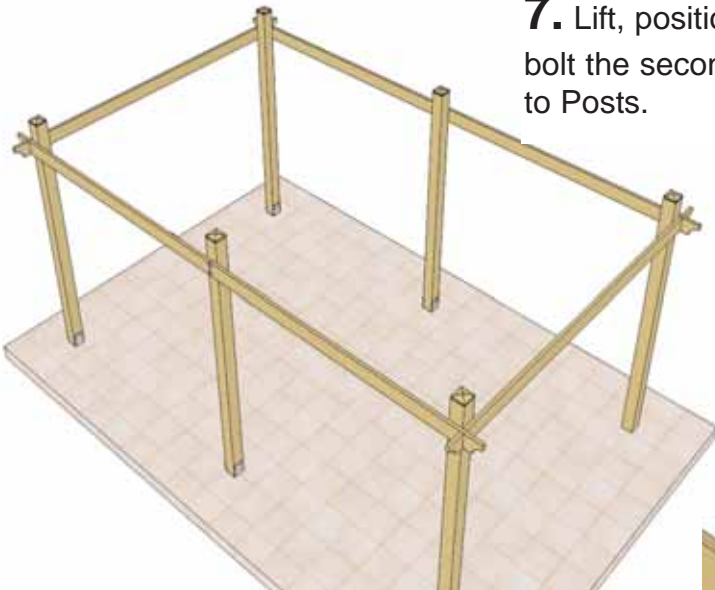


**6.** Carefully slide End Girder up into notch of Side Girders. Be careful not to twist the End Girder when pushing up into place. Lag bolt (2) the Side Girder to Post when both pieces are flush with each other.



Lag Bolt to Post

**7.** Lift, position and Lag bolt the second End Girder to Posts.

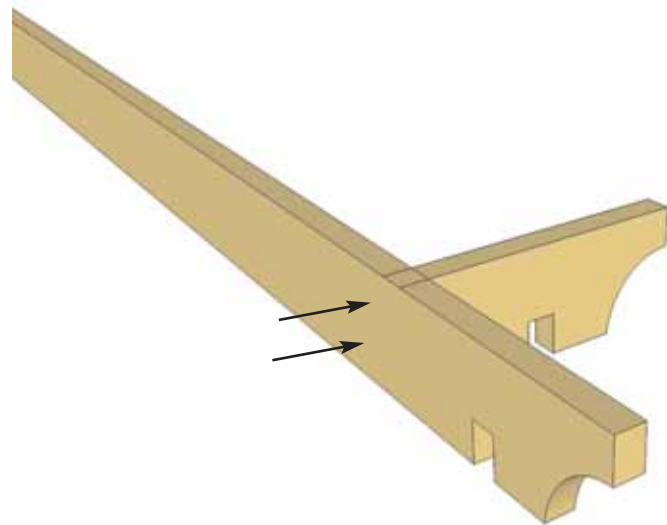


pre-marked for Stub Joist placement

D

I

Notches facing down

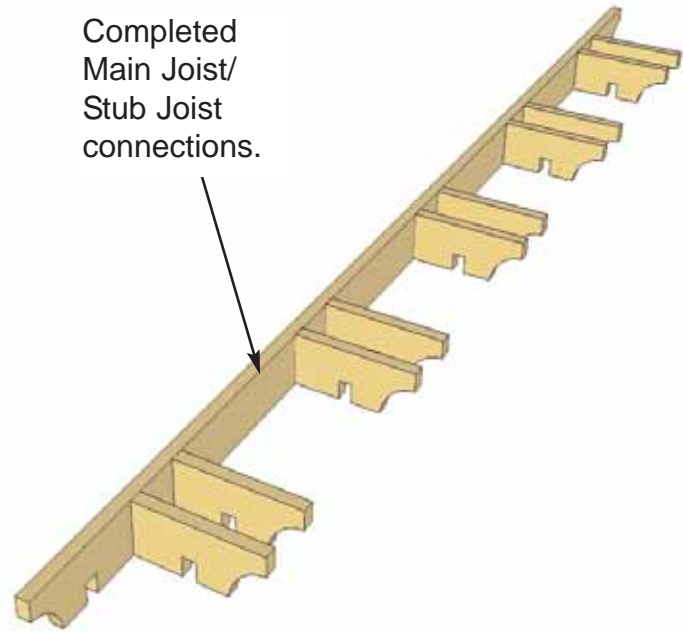


**8.** On level ground, position 1 Main Joist (D) and 10 Stub Joists (I). Main Joists are pre-marked for Stub Joist and Blocking position.

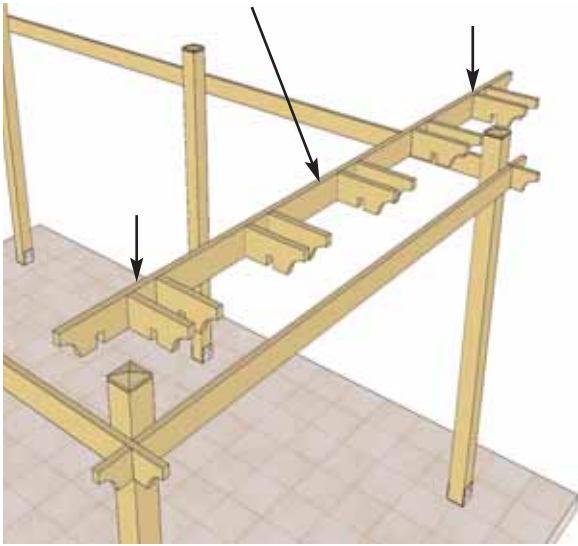
**9.** With Stub Joists positioned correctly on Joist, attach each Stub Joist with 2 - 3" screws. Stub Joists should be flush with top and bottom of Main Joist with all notches facing down.

**10.** There are 2 Main Joist/ Stub Joist assemblies, complete both now.

Completed Main Joist/ Stub Joist connections.

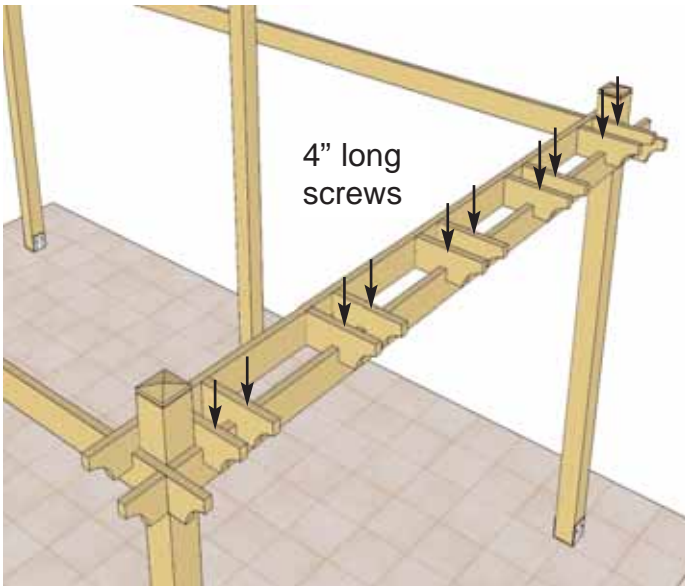
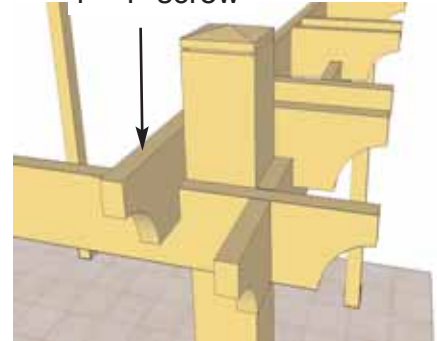


Completed Main Joist/ Stub Joist connections.

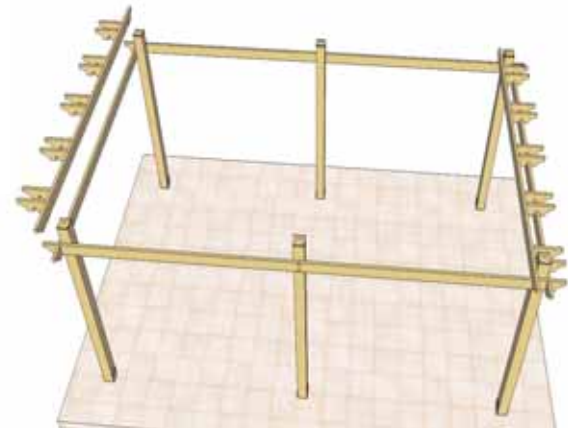


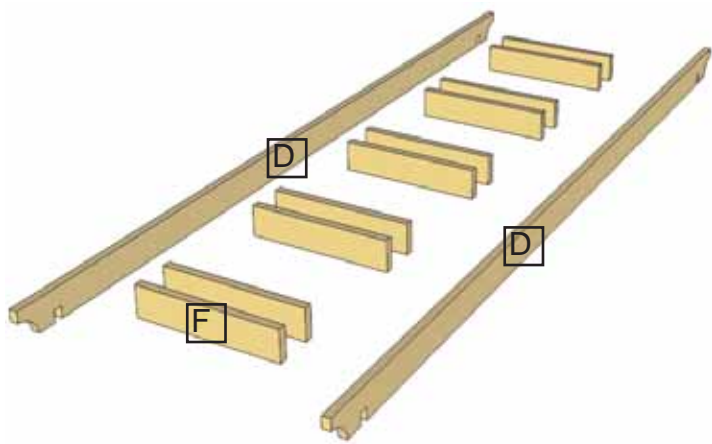
**11.** Carefully lift up completed Stub Joist / Main Joist assembly and place Main Joist between Side Girders flush against posts and notch sitting down into girder.

1 - 4" screw

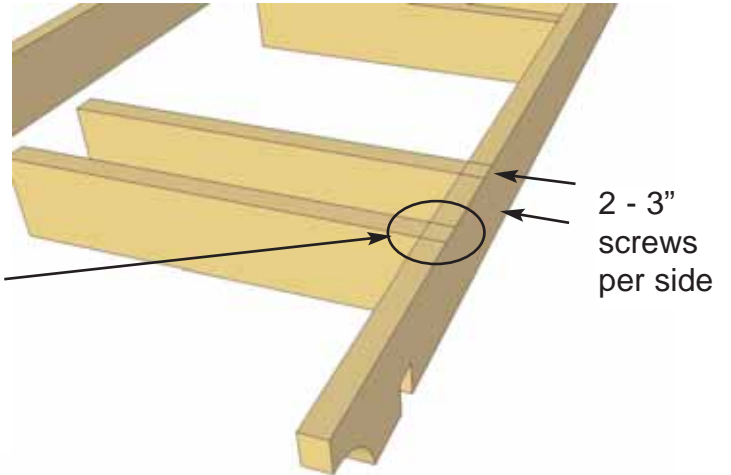


**12.** Attach all Stub Joists to girders with 1 - 4" screw per Stub Joist. Screw from the top down into girder.

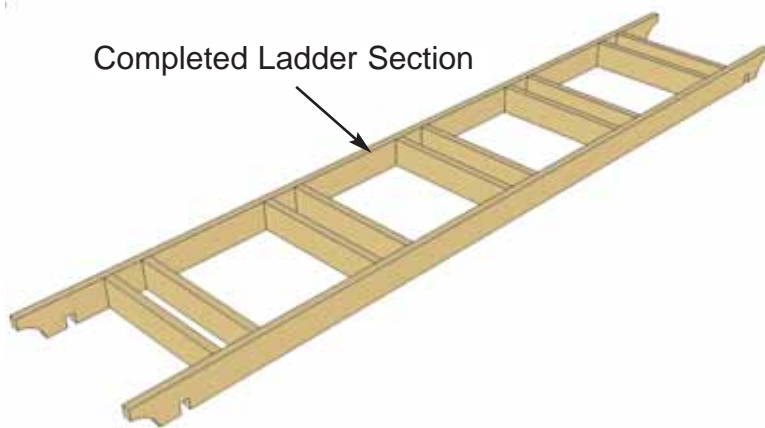




**13.** On a flat surface, position Blocking (F) where marked on Main Joist (D) and screw with 2- 3" screws per piece. Blocking should be flush with top and bottom of Main Joist with all notches facing down.

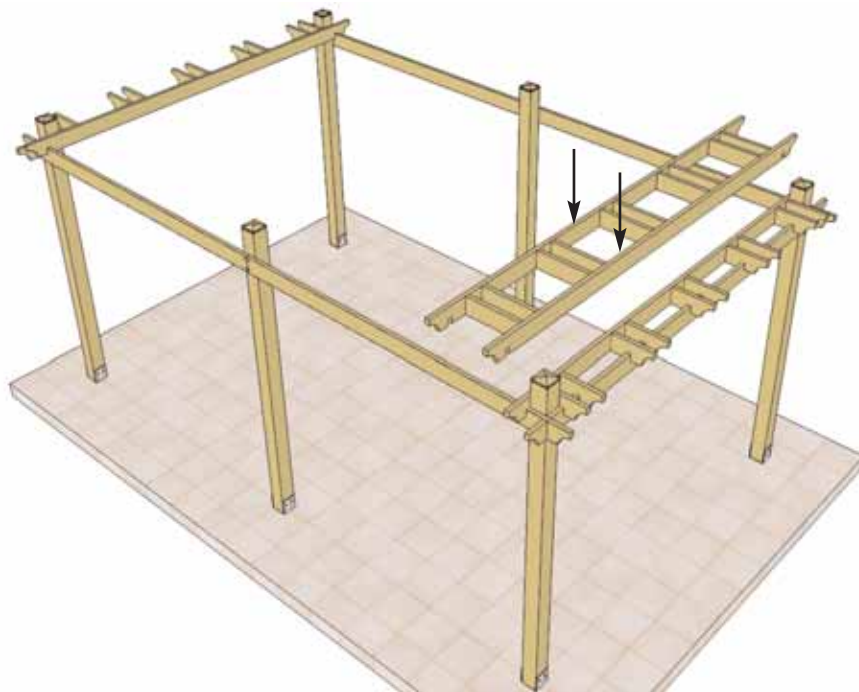


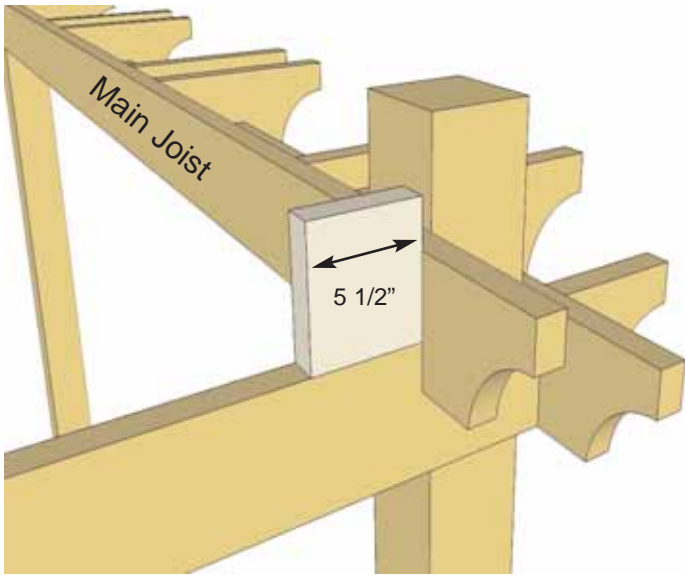
Main Joists are pre-marked to correct Blocking placement.



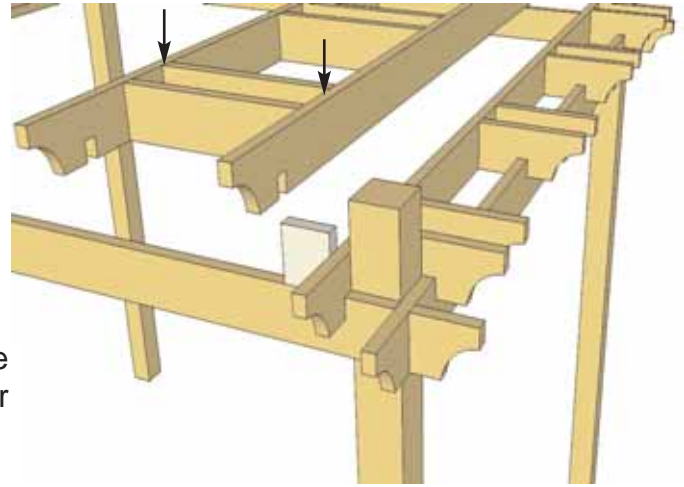
**14.** Complete all 8 Ladder Sections on the ground prior to moving to **Step 15**.

**15.** Carefully lift up one of the Ladder Sections and place between Side Girders. You will require a helper to assist in lifting up the ladder section.



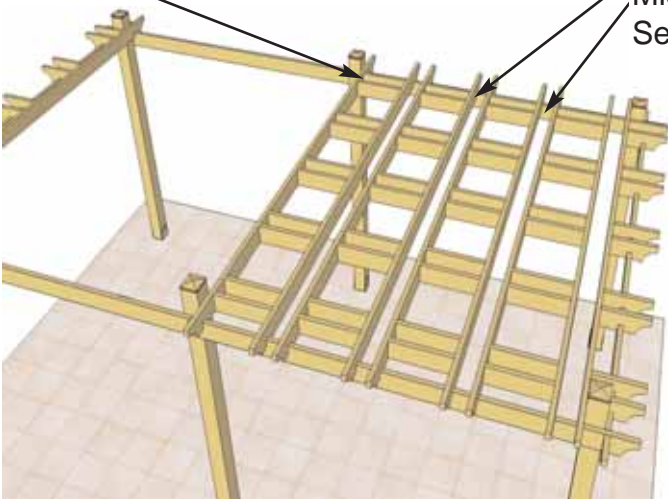


**16.** To properly position Ladder on Side Girders, use a Corner Bracket Joist Mount - 5 1/2" wide as a template. Position against Main Joist and mark. Lower complete Ladder section down so notch of joist sits on Side Girder.

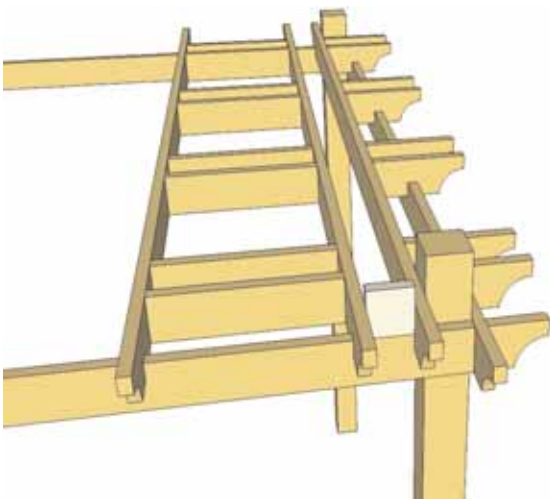


Joist should sit flush against Post

Equally Space Middle Ladder Sections.

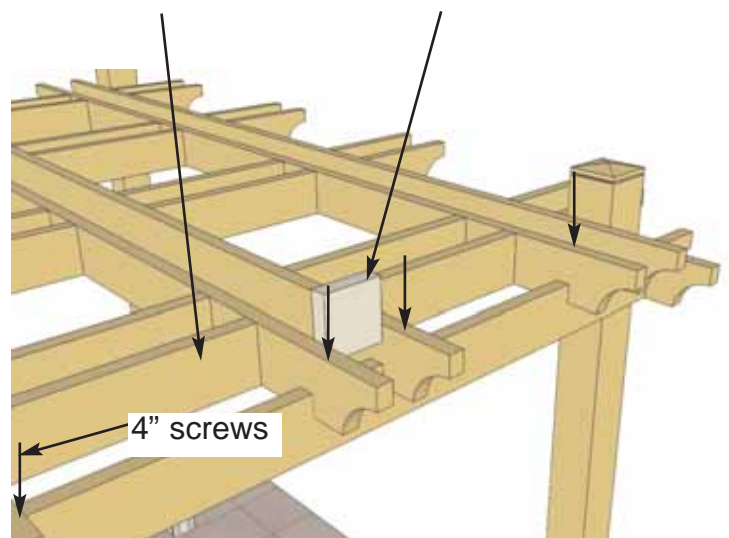


**17.** Set remaining Ladder Sections in place for side. Ladder Section adjacent to Middle Post should sit flush against Post. Equally space Middle Ladder Sections.

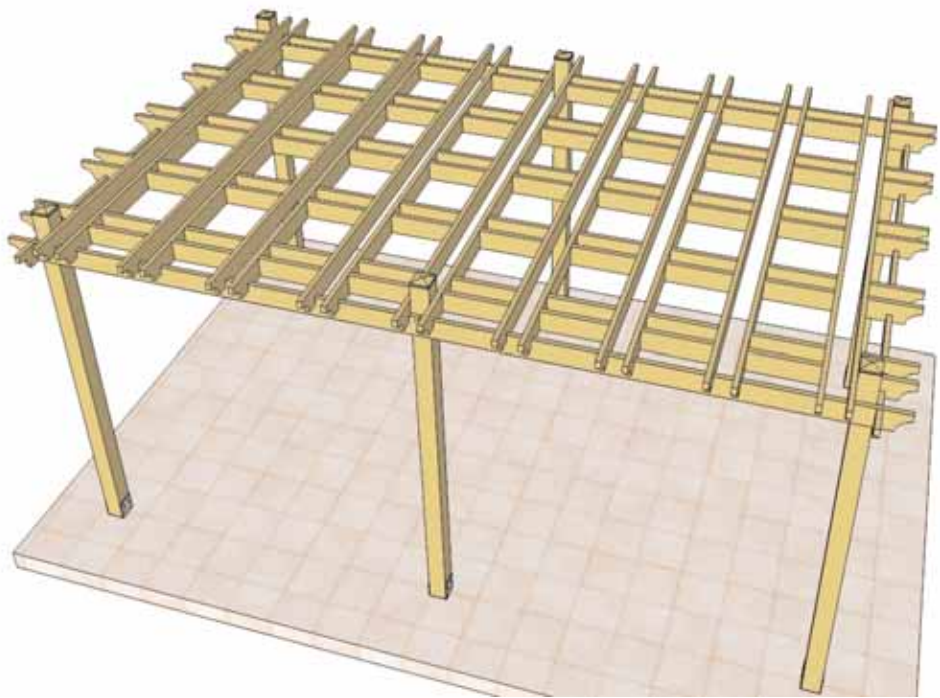


**18.** Attach Ladder to Side Girders with 4 - 4" screws per Ladder. Screw from top down into girder.

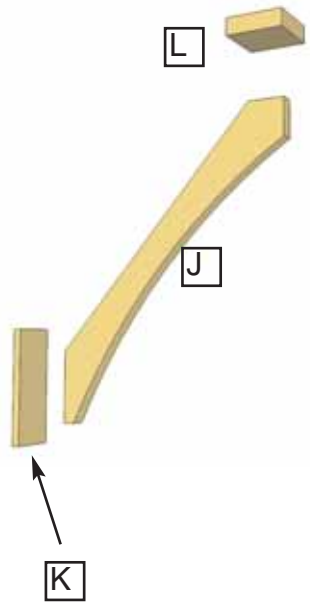
2nd Ladder Section  
Use only as guide, space may vary.



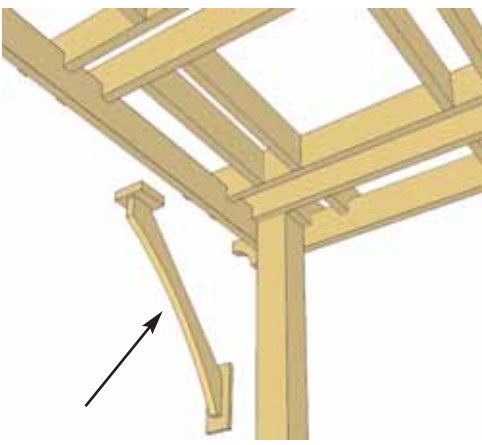
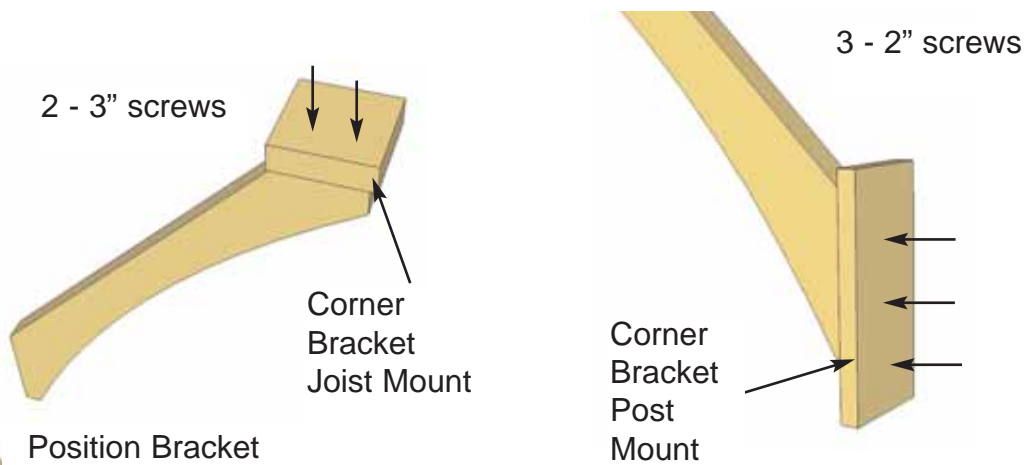




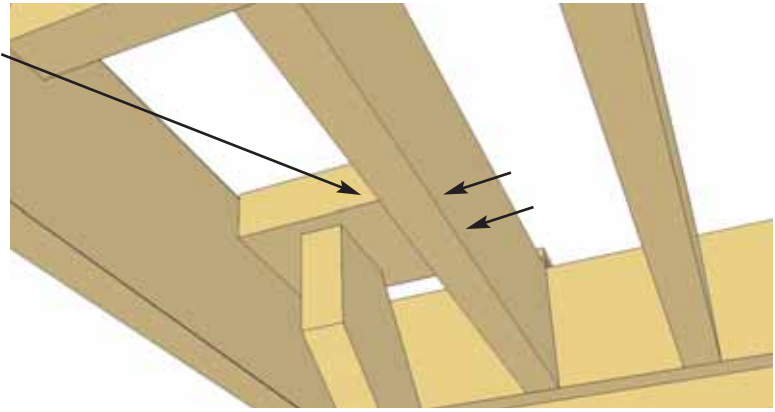
**19.** Complete remaining Ladder Sections as per Steps 16-18.

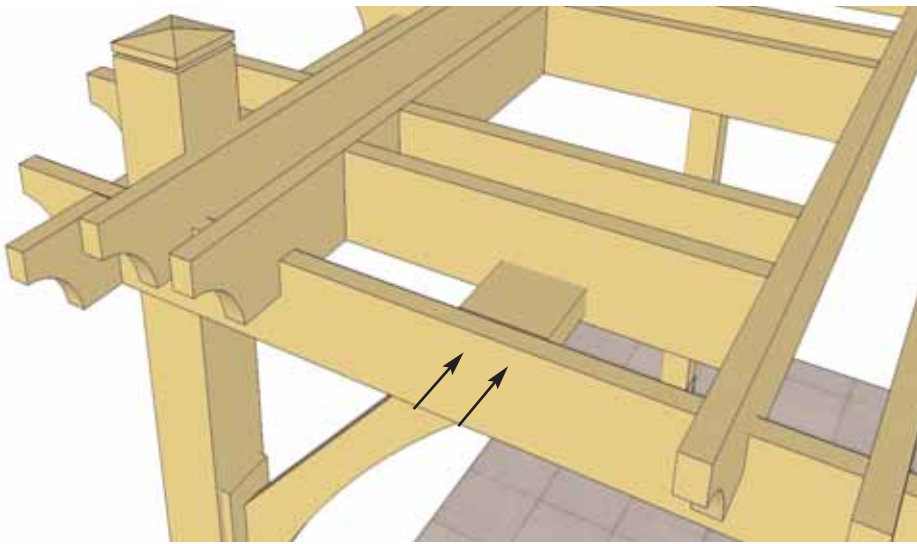


**20.** Complete Corner Bracket attachments prior to mounting Corner Brackets to Breeze. There will be 8 Standard Bracket setups. To complete standard brackets, attach Corner Bracket Joist Mount (L) and Corner Bracket Post Mounts (K) to each end of a Corner Bracket (J). Joist Mount should be centered on bracket. Use 2 - 3" screws to secure. Corner Bracket Post Mount will be attached from the back to bottom of Brackets with 3- 2" screws. Complete 8 Corner Brackets prior to installing.

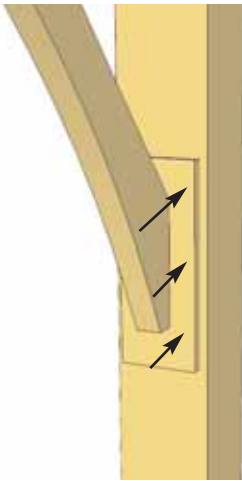


Position Bracket so Joist Mount is flush with bottom of Blocking or Main Joists. Please note that bracket can mount up higher but using the bottom will make it easier to align all brackets later.

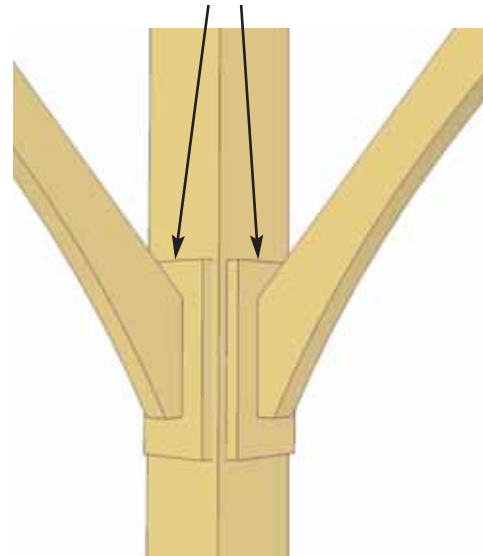




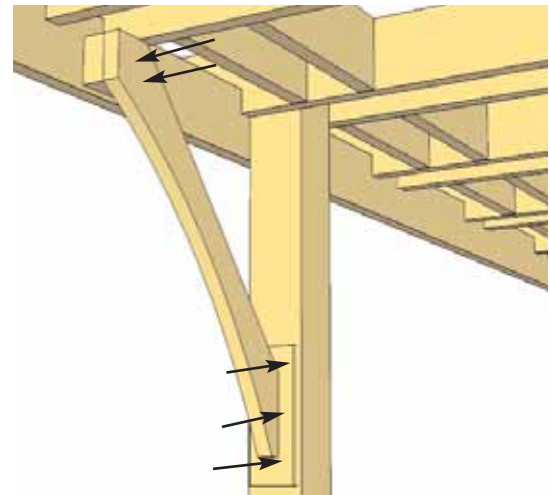
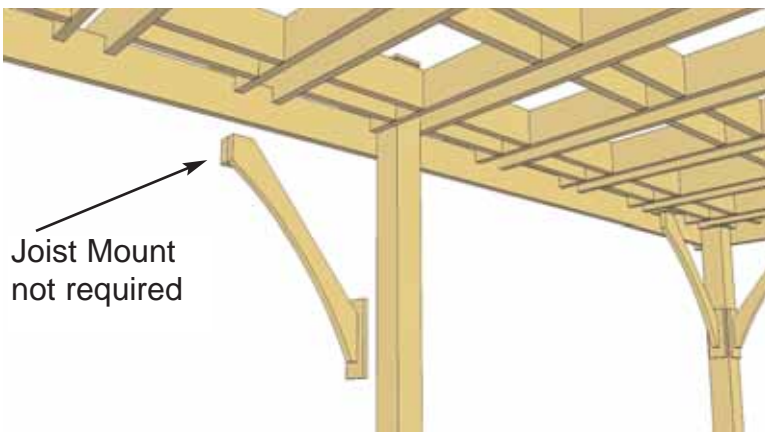
**21.** Position Corner Bracket so Joist Mount is flush with bottom of Blocking or Main Joist and Post Mount is flush against Post. When in correct position, attach joist mount to girder and joist/blocking with 2 - 3" screws per side.



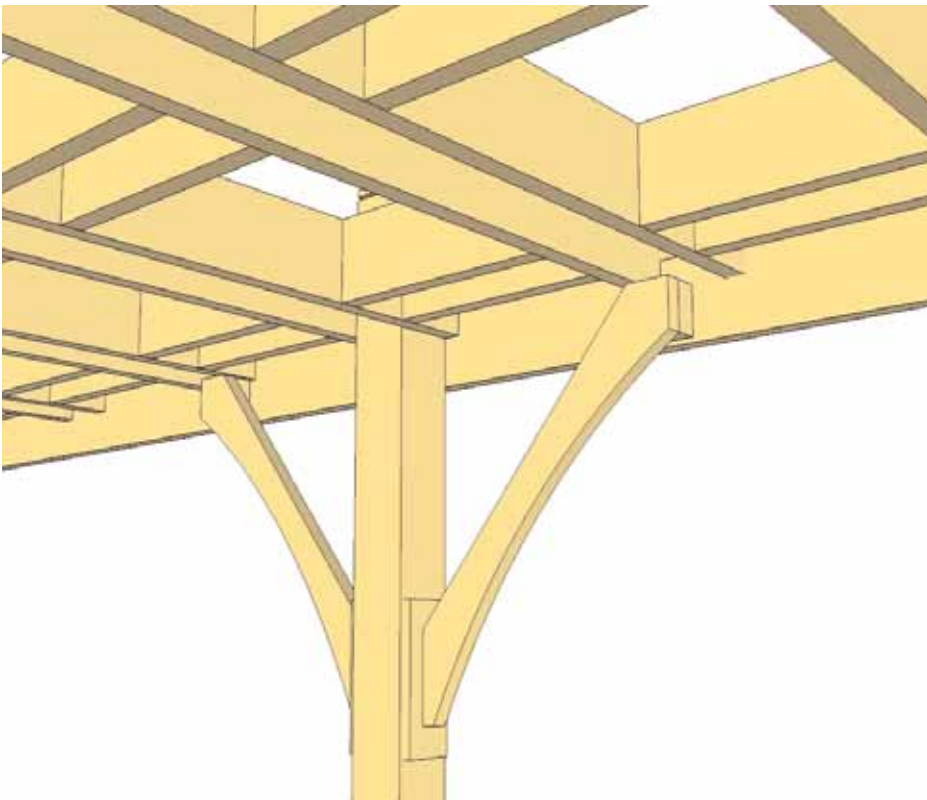
Be sure to align Bracket Post Mounts equally on posts.



**22.** With Bracket centered on Post, attach Bracket Post Mount to Post with 6 - 2" screws. Attach remaining Corner Brackets to all 4 corner posts. There will be 2 brackets per post.



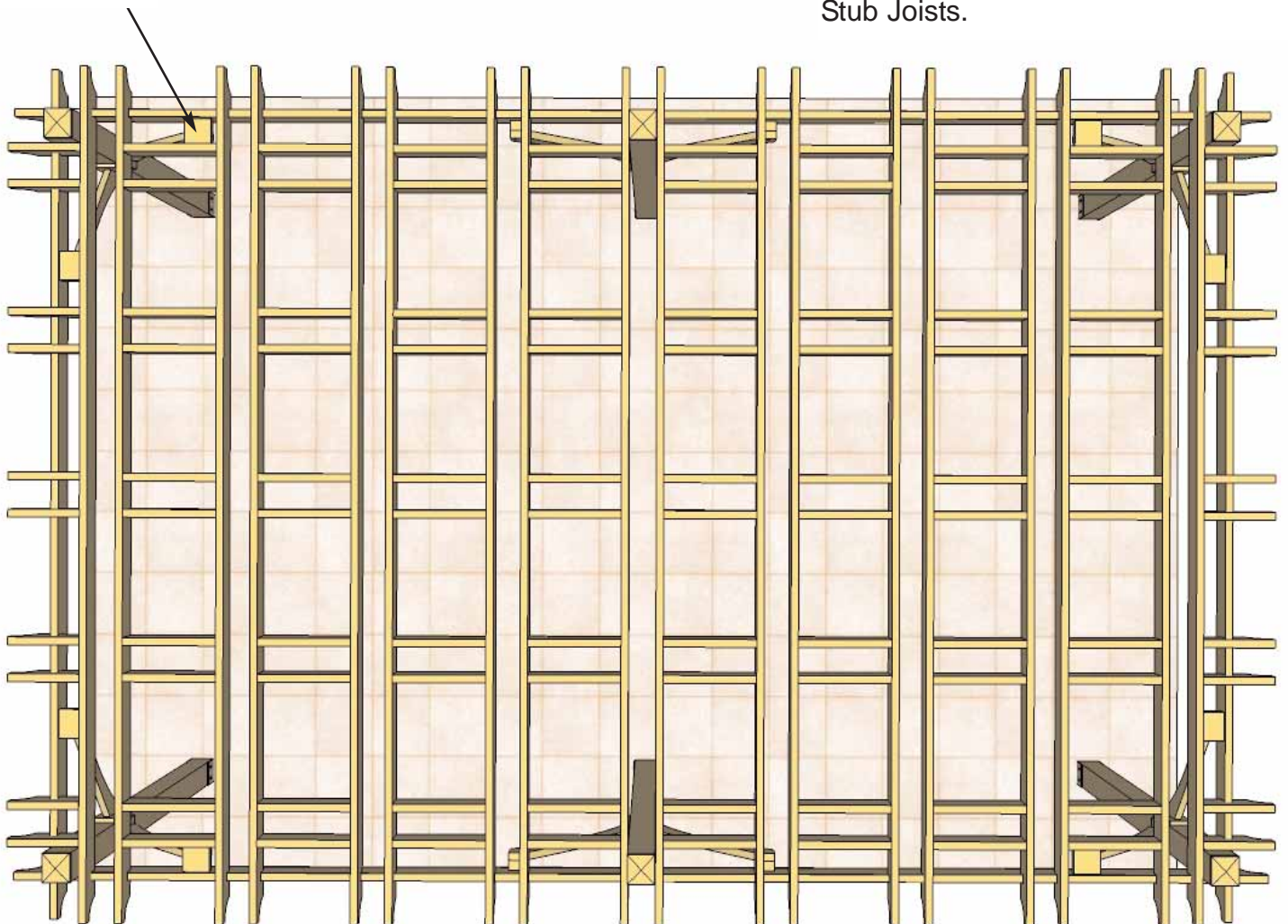
**23.** Center Post Corner Brackets (2 left /2 right) do not require Joist Mount to be attached. You must attach the Corner Bracket Post Mount (K) as per **Step 20.** however. Position Bracket so even with outside brackets and attach post mount to post with 6 - 2" screws. Attach Bracket at top using 2 - 4" screws.

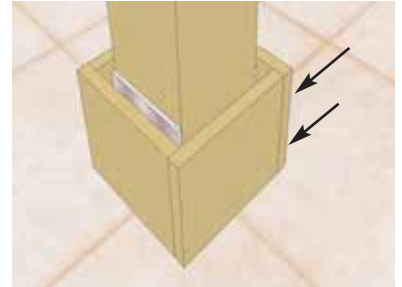
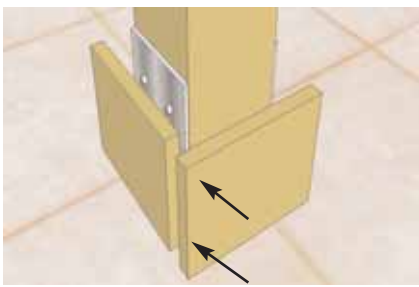


**24.** Complete both the left and right side Center Post Corner Brackets on each post. Once again, make sure both brackets are centered on post and are the same height as the outside corner brackets.

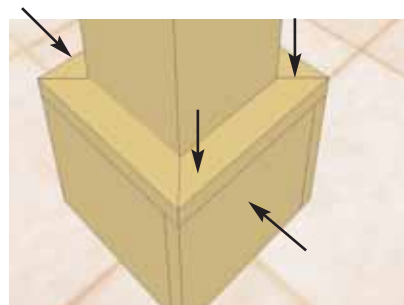
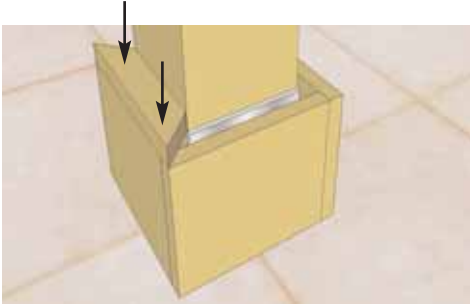
**Birds Eye View** of Breeze showing position of Brackets, Ladder Sections with Blocking and outside Stub Joists.

Joist Mount



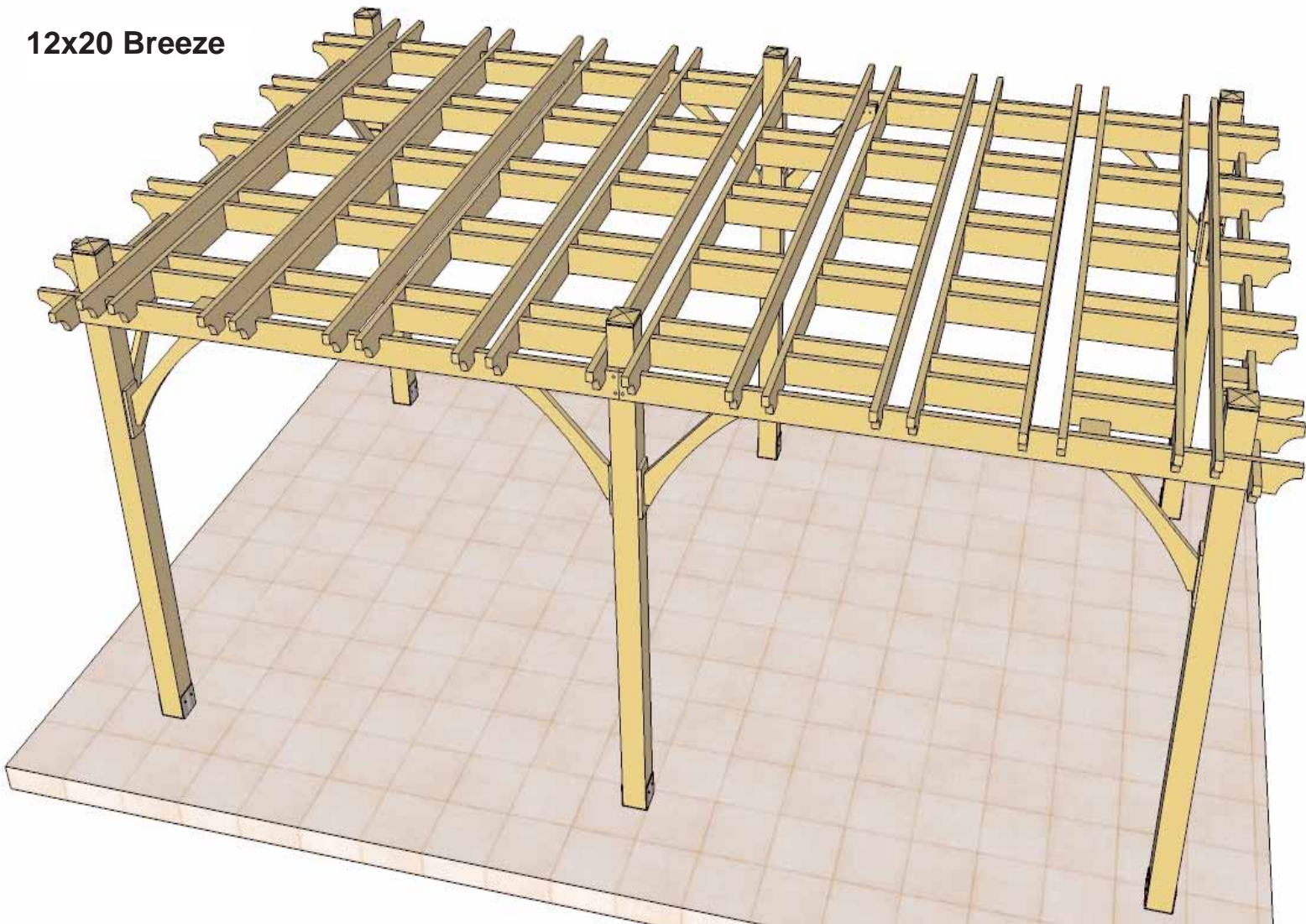


**25.** To complete your Breeze, attach Post Skirting around each post. Position 2 skirting pieces together to form an “L” shape and attach with 2 finishing nails. Complete second “L” section and attach both sections together with 2 finishing nails. Skirting pieces will fit together in what is referred to as “windmill fashion”.



**26.** Nail top cap pieces (45 degree cut on both ends) down to Post Skirting. Use 2 finishing nails per piece. Screw completed Post Skirting to post with 2 - 3” screws. Complete all Post Skirting attachments.

## 12x20 Breeze



## **Congratulations and thanks for purchasing a Breeze Pergola!**

Note; The Breeze Pergola is an unfinished product. If exposed to the elements, the western red cedar lumber will weather to a silvery-gray color. If you prefer to keep the cedar lumber looking closer to the original color, we suggest that you treat the wood with a good oil base wood stain. You may also wish to paint your new Pergola rather than stain it. In both cases we recommend that you consult with your local paint and stain dealer in your local area for their recommendations.

If you have any questions, comments or suggestions about the Breeze Pergola, please contact our customer support line @ 1-888-658-1658 or email us at [service@outdoorlivingtoday.com](mailto:service@outdoorlivingtoday.com).

Thanks again!

**Customers agree to hold Outdoor Living Today and any Authorized Dealers free of any liability for improper installation, maintenance and repair of any Outdoor Living Today products.**