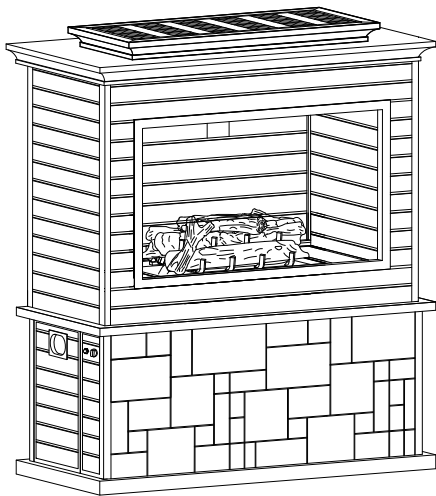


FREESTANDING FIREPLACE
MODEL#L-OF120PCO / D-OF005PCO
ASSEMBLY INSTRUCTIONS


IMPORTANT: RETAIN FOR FUTURE REFERENCE. READ CAREFULLY.


IMPORTANT

For technical assistance on assembly or replacement parts, you can call us toll-free at 1-866-578-6569 from 8 a.m. EST to 8 p.m. PST or email to customer.care@sunjoygroup.com or visit www.sunjoyonline.com to place your order or fax your parts replacement order form together with your purchase receipt to 1-740-283-3549 for assistance




 **WARNING: For Outdoor Use Only.**



 **DANGER**
If you smell gas:
 1. Shut off gas to the fireplace.
 2. Extinguish any open flame.
 3. If odor continues, keep away from the fireplace and immediately call 911 or fire department.

 **WARNING:**
 Improper installation, adjustment, alteration, service or maintenance can cause injury or property damage. Read the installation, operating and maintenance instructions thoroughly before using this equipment.



Propane tank required (not included). AA battery required (not included).

 **WARNING**
 Do not store or use gasoline or other flammable vapors and liquids in the vicinity of this or any other fireplace.
 An LP-cylinder not connected for use should not be stored in the vicinity of this or any other fire pit.

 DANGER	<p>CARBON MONOXIDE HAZARD This fireplace can produce carbon monoxide which has no odor.</p>
	<p>Using it in an enclosed space can kill you. Never use this fireplace in an enclosed space such as a camper, tent, car or home.</p>

This Fireplace complies with “ANSI Z21.97-2014/CSA 2.41-2014 Outdoor Decorative Gas Appliances.

TABLE OF CONTENTS

General information	2
Installation.....	2
Location.....	2
Specification.....	3
Important safety information and precaution.....	3-4
Expanded view.....	5
Parts list and hardware list.....	6
Assembly Steps.....	6-9
Set up.....	10
Gas connection	10
Operation.....	11
Leak check.....	11
Lighting the burner.....	11
Storage and Maintenance.....	12
Trouble shooting.....	12
Limited warranty.....	13
Cleaning and maintenance.....	13

INSTALLATION

For ease of installation, two or more people are recommended.

LOCATION

Your gas fireplace must be installed on a flat, stable surface, away from any combustible materials or construction.

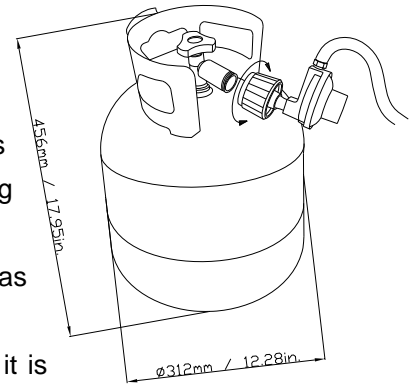
SPECIFICATION

Product name	FREESTANDING FIREPLACE
Model NO.	L-OF120PCO / D-OF005PCO
Rated Heat Input	64,500 BTU / HR
Fuel	Propane-LP
Gas Supply	20 lb. LP-Gas cylinder
Manifold Pressure	11 Inches W.C.
Orifice Size (diameter)	2.48 mm / 0.097 in
Gas Supply Pressure	Max. 250 PSI

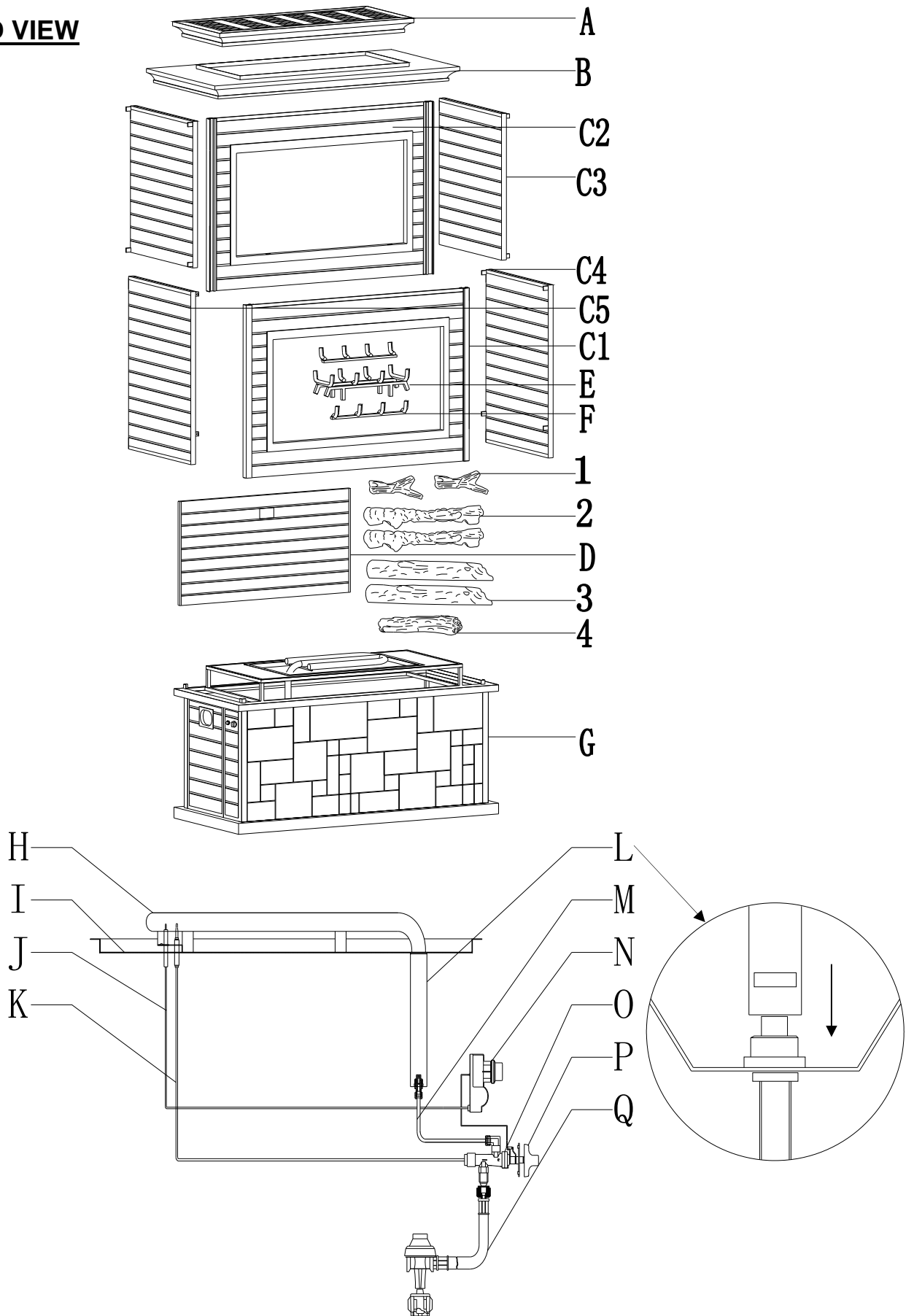
IMPROTANT SAFETY INFORMATION AND PRECAUTION

- When the appliance is connected to a fixed gas piping system, the installation must conform with local codes, or in the absences of local codes with the *National Fuel Gas Code, ANSI Z223.1/NFPA54*; *International Fuel Gas Code, Natural Gas and Propane Installation Code, CSA B149.1*; or *Propane Storage and Handling Code, B149.2*, as applicable.
- The LP gas supply cylinder to be used must be:
 - 1- Constructed and marked in accordance with the U.S. Department of Transportation (D.O.T.) Specifications for LP-Gas Cylinders, or the Standard for Cylinders, Spheres and Tubes for transportation of Dangerous Goods and Commission, CAN/CSA-B339 as applicable;
 - 2- Provided with a listed overfilling prevention device;
 - 3- Provided with a cylinder connection device compatible with the connection for the fireplace.
- Always place the fireplace on a firm and level surface.
- Solid fuels shall not be burned in this gas fireplace.
- The fireplace shall be used only outdoors in a well-ventilated space and shall not be used in a building, garage or any other enclosed area.
- When in use, keep the fireplace area clear and at least 40 in / 101.6 cm side clearance from combustible materials, gasoline and other flammable liquid and vapors. Do not use the fireplace under overhead combustible surfaces. Certain items or materials, when stored under the fireplace or nearby, will be subjected to radiant heat and could be damaged.
- Inspect the hose assembly and burner prior to each use. If there is evidence of excessive abrasion or wear or if the hose or burner is damaged, it must be replaced by appropriate part from the manufacturer.
- Inspect the gas connections of the fireplace prior to each use. Do not operate the unit if there is a gas leak. Have the fireplace inspected annually by a qualified service person.
- The pressure regulator and hose assembly provided with the fireplace must be used. The replacement part must be the same as the part specified by manufacturer.
- **Children and adults should be alerted to the hazards of high surface temperatures and should stay away to avoid burns or prevent clothing ignition.**
- **Young children and pets should be carefully supervised when they are in the area of the fireplace.**
- **Any guard or other protective device removed for servicing the fireplace must be replaced prior to operation.**

- **Clothing or other flammable materials should not be hung from the fireplace.**
- Do not use the fireplace if any part has been under water. Immediately call a qualified technician to inspect the fireplace and to replace any part of the control system and any gas control which has been under water.
- LP-gas supply cylinder to be used must be constructed and marked in accordance with the specifications for LP-gas cylinders of the U.S. Department of Transportation (DOT).
- The cylinder supplies system must be arranged for vapor withdrawal and the cylinder must include a collar to protect the cylinder valve.
- Use only 20 lb / 9 kg LP-Gas cylinders.
- Do not burn wood or any other materials in this fireplace.
- The fireplace must be isolated from the gas supply piping system by closing its individual manual shutoff valve during any pressure testing of the gas supply piping system at test pressure equal to or less than 1/2 psi (3.4kPa).
- Properly place the hose out of pathways where people may trip over it or in areas where it may be subject to accidental damage.
- The burner must be replaced prior to the fireplace being put into operation if it is evident that the burner is damaged. The replacement burner must be the same as the part specified by manufacturer.
- For cleaning of the fireplace including the burner, please refer to “Clean and Maintenance” on page 12.



EXPANDED VIEW

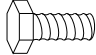

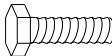
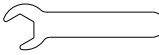
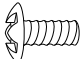


PARTS LIST

PART #	DESCRIPTION	QTY
A	Cap	1
B	Chimney	1
C1	Body Panel (Front)	1
C2	Body Panel (Rear)	1
C3	Body Panel (Inside)	2
C4	Body Panel (Right)	1
C5	Body Panel (Left)	1
D	Back Door (Removable)	1
E	Log Holder 1	1
F	Log Holder 2	2
G	Fireplace Base	1
H	Burner	1
I	Log Tray	1

PART #	DESCRIPTION	QTY
J	Ignition Wire	2
K	Thermocouple	1
L	Nozzle Support Bar	1
M	Nozzle Subassembly	1
N	Pulse Electronic Igniter	1
O	Control valve	1
P	Control Knob	1
Q	Pressure Regulator	1
1	Ceramic Log 1	2
2	Ceramic Log 2	2
3	Ceramic Log 3	2
4	Ceramic Log 4	1

HARDWARE LIST

PART#	DESCRIPTION	QTY	LINE OF PART DRAWING
AA	M6 X 25 mm Bolt	6	
BB	M6 mm Washer	26	
CC	M6 x 30mm Bolt	4	
DD	M6 Wrench	1	
EE	Bolt M6 x 15	16	

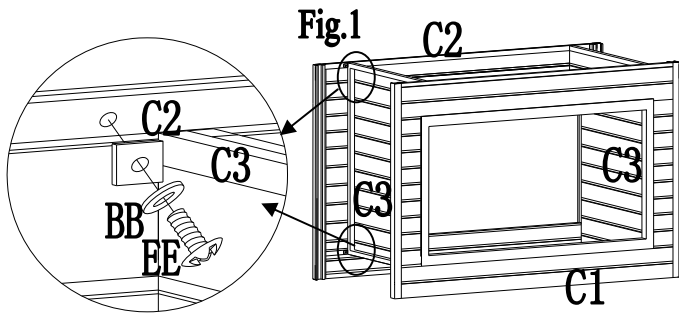


Fig.1: Attach Body Panel (Front) and Body Panel (Rear) (C1, C2) together with bolt (EE) and washer (BB).

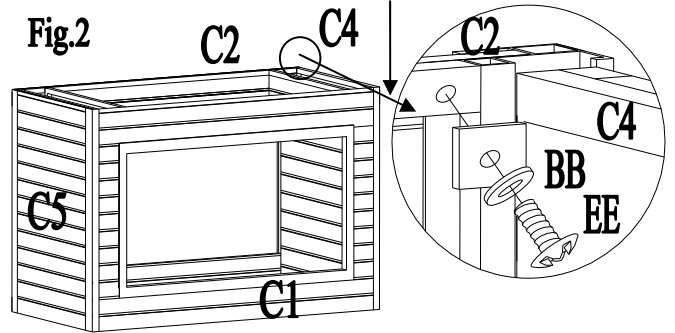


Fig.2: As the arrow shows, slide Body Panel (Left) and Body Panel (Right) (C4, C5) into the assembled C1 and C2.

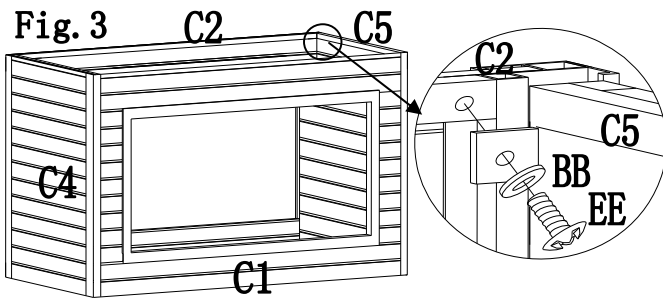


Fig.3: Turn the body assembled at Fig.1 and Fig.2 upside and secure these panels with bolt (EE) and washer (BB).

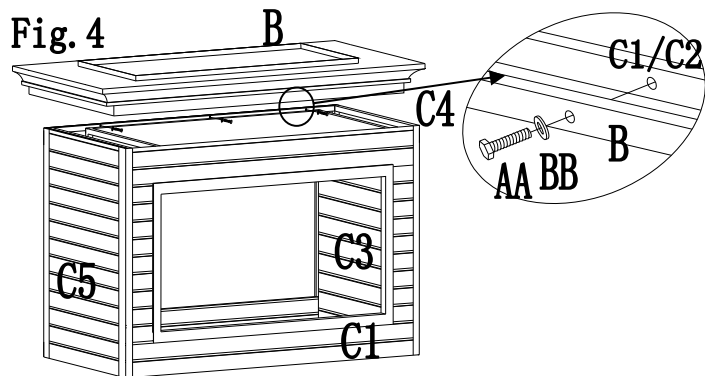


Fig.4: Align Chimney (B) onto Fireplace Body (C1/C2) and secure from inside with bolt (AA) and washer (BB).

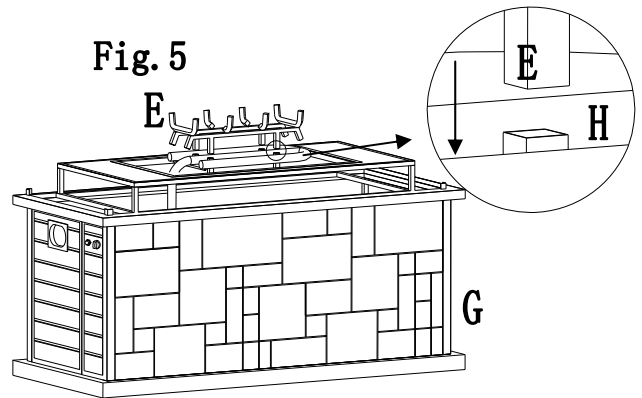


Fig.5: Insert Log Holder (E) into the tube of Burner (H) which is built up on Fireplace Base (G).

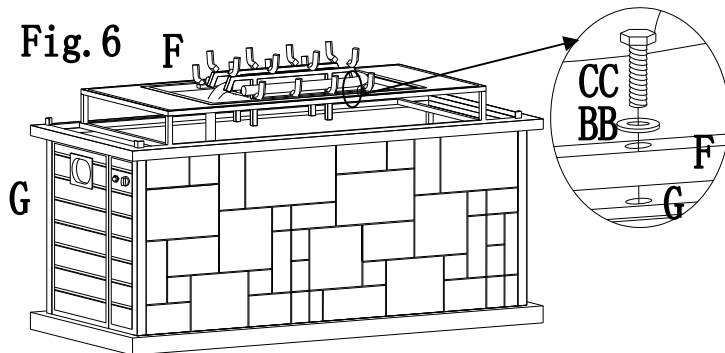


Fig.6: Place Log Holders (F) in Log Tray (I) and secure them with bolt (CC) and washer (BB).

Fig. 7

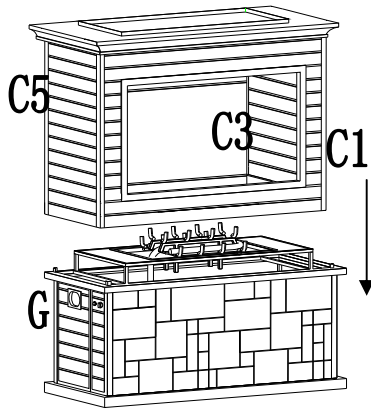


Fig.7: As the above arrow shows, place assembled fireplace body (C1/C2/C3/C4/C5) onto Fireplace Base (G) and align with the pins that are built in the body.

Fig. 8

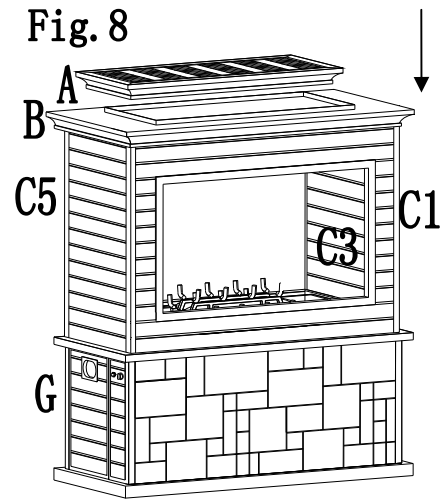


Fig.8: Place Cap (A) on the assembled Chimney (B).

Fig. 9

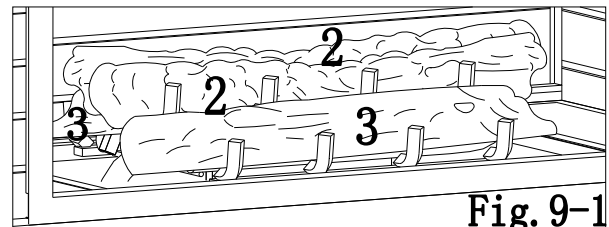
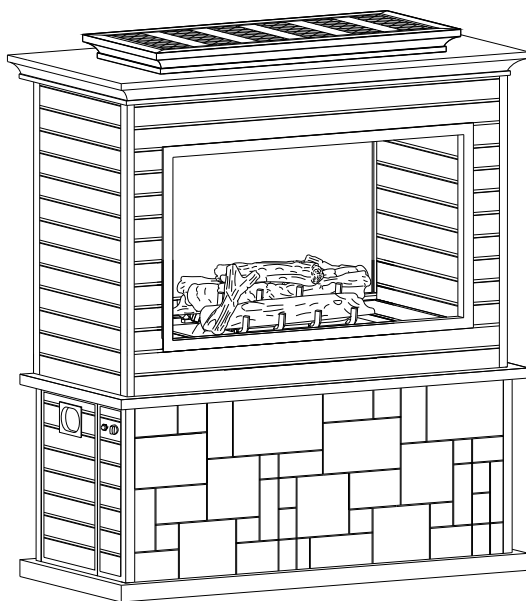


Fig. 9-1

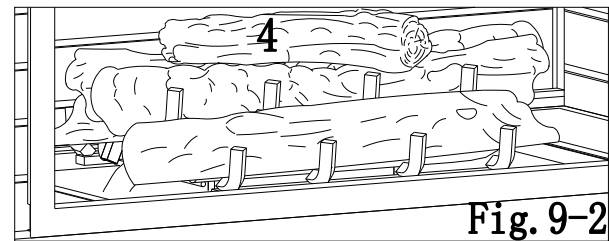


Fig. 9-2

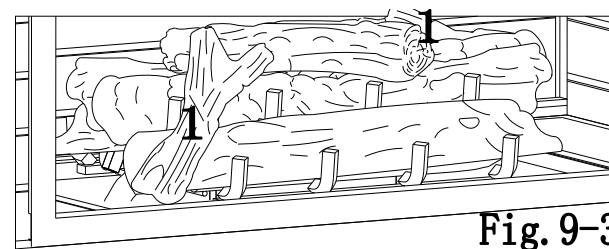


Fig. 9-3

Fig.9: Ceramic Logs Placement

Fig.9-1: Place Ceramic Log 2 (2) inside of Log Holder (E), place Ceramic Log 3 (3) inside of Log Holder (F), make sure the pins of the logs face up. See Fig.9-1

Fig.9-2: Place Ceramic Log 4 on Ceramic Log 2.

Fig.9-3: Place Ceramic Log 1 (1) on Ceramic Log 2 (2) and Ceramic Log 3 (3) and align the pins of the two smaller logs into the holes of the larger logs.

Fig. 10

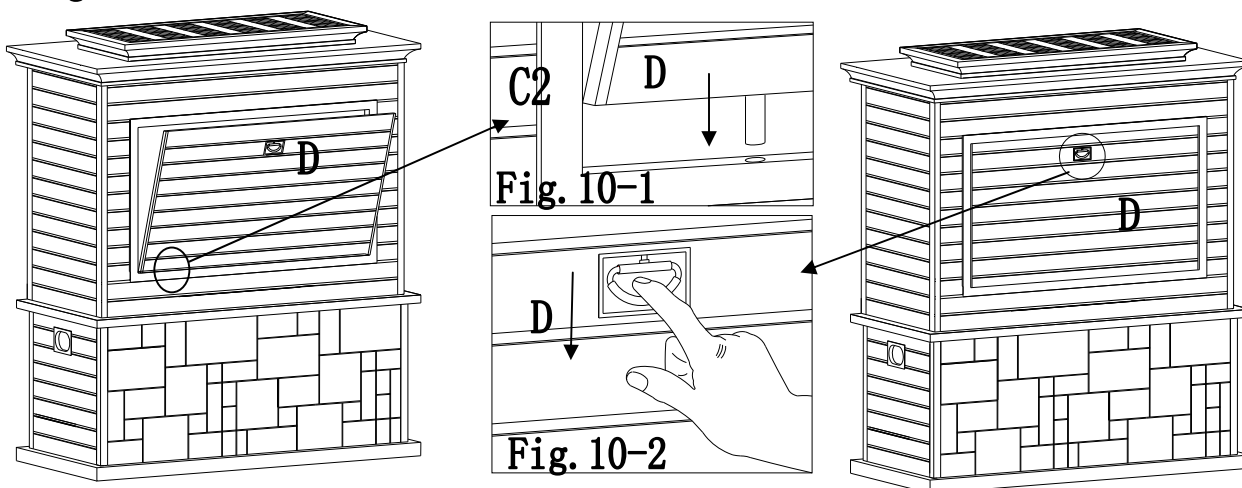


Fig.10: Assembling Back Door (D)

Insert Back Door (D) into Body Panel (Rear) (C2) by aligning the pins of the back door at the bottom edge into the holes of the body, see Fig10-1. Pull the ring down at the back door until the pin on the upper edge of the back door lock into the body.

Fig. 11

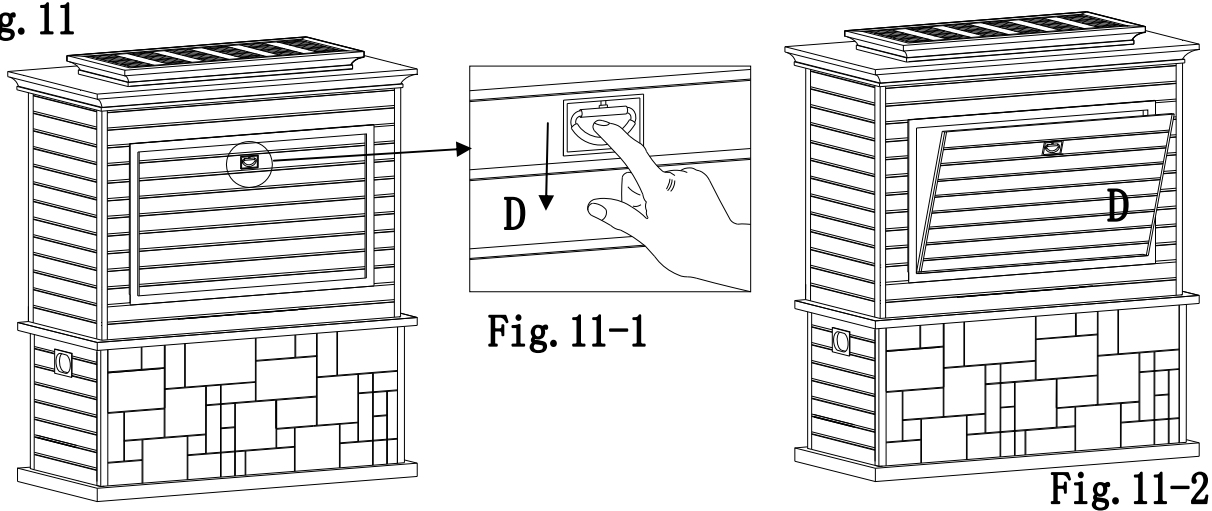


Fig. 11-2

Fig.11: Back Door (D) is removable by pulling down the ring until it opens, releasing the back to open both sides of the fireplace, see Fig.11-1 & Fig.11-2.

If you want to replace the parts listed, please call Sunjoy from 9:00 AM to 4:30 PM Eastern Time Monday – Friday at the following: 1-866-578-0101 (English, French & Spanish in US) or e-mail: service@ferro-works.com

SET-UP

Your gas fireplace comes ready for gas connection.

1. Place fireplace on any level, outdoor, non-combustible surface.

NOTE: Do not place this fireplace on grass or dirt area as this may prevent proper safety venting.

2. Open the gas door and place the cylinder inside.
3. Unscrew the battery box as shown in Fig.1. Insert the negative side of the battery (not included) into the bottom of battery box as shown in Fig 2. Then screw in the battery box as shown in Fig 3.

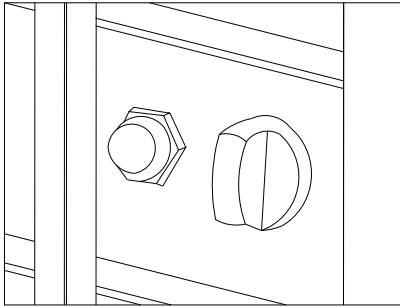


Fig 1

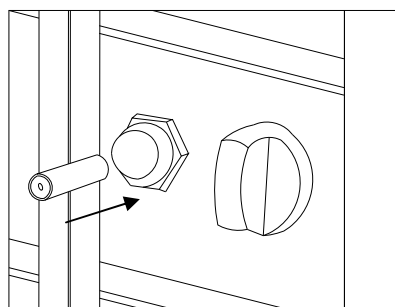


Fig 2

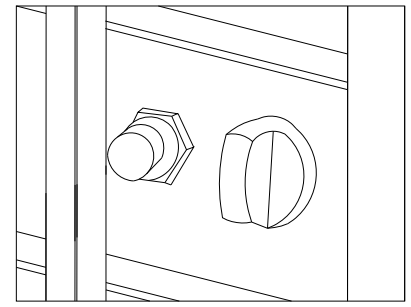


Fig 3

Note: If the battery of the pulse electronic igniter does not spark replace with a new battery as step 3 above.

Gas Connection

1. Open the door, put the chain and control valve outside. See Fig 4.
2. Put the tank into the tank rack. See Fig 5.
3. Connect the regulator and the tank as per Fig.6. Check for leaks.
4. Secure the tank with the chain. See Fig 7.

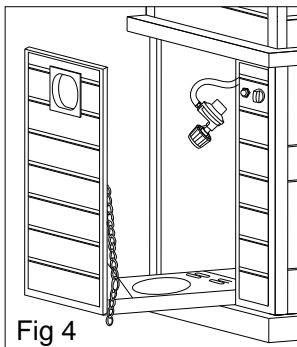


Fig 4

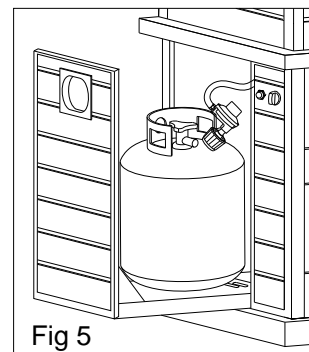


Fig 5

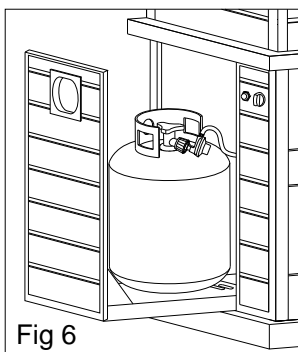


Fig 6

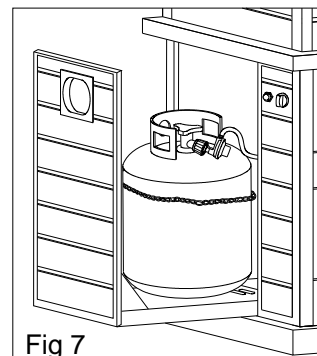
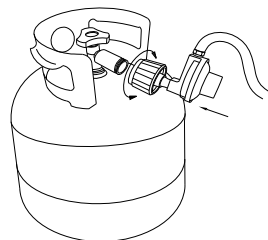


Fig 7

OPERATION

LEAK TEST

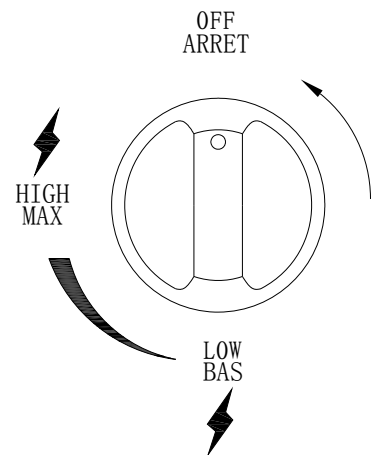
!!!WARNING!!!

- Do not use an open flame to check for leaks.
- Do not smoke during testing.
- Do not test indoors.
- A leak check must be performed whenever the gas cylinder is replaced.

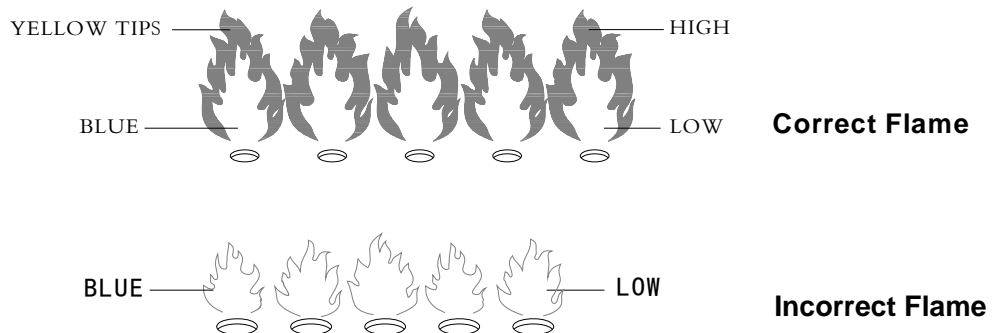
1. Make sure the control knob is in the "OFF" position.
2. Make sure the gas cylinder is correctly and securely connected to the pressure regulator, without over tightening.
3. Turn on the gas cylinder valve. Apply 50% soap and 50% water solution to the gas hose and connections between the control knob and gas cylinder.
4. If something is leaking, you will see bubbles form. In case of leaks, turn off the gas supply, undo the leaking connection, re-connect it and try again. If the leak persists, consult Customer Service Center for assistance (1-866-578-0101).
5. If the connection does not leak, continue to the next step.

LIGHTING THE BURNERS

1. Make sure control valve is OFF.
2. Turn on gas tank valve.
3. Press in and turn control valve knob counterclockwise to high to light. See the figure to the right.
4. If burner is lit, continue pressing in the control valve knob for a minute to heat the thermocouple.
5. When control valve knob is released, the burner should be lit. If not, turn control valve knob clockwise to OFF. Wait for 5 minutes then start with step 3 above.
6. Press in and turn control valve knob to desired heat output, HIGH ~ LOW.



NOTE: While in use, the burner flame should be mainly blue in appearance with a small amount of yellow. The flame can be identified by the following figure.



Warning: Lighting the Fire Pit improperly could lead to an unsafe condition.

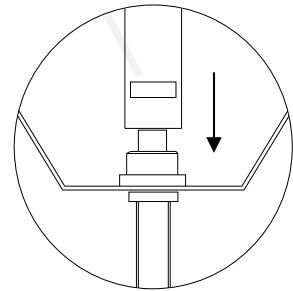
6. Press in and turn the control valve knob clockwise to OFF to shut down fireplace. Close the gas cylinder valve when the fireplace is not in use.

(CAUTION: Do not kink flexible gas hose. If it is kinked, a gas leak could occur.)

STORAGE AND MAINTENANCE

To obtain the best performance from your fireplace, you must perform the following storage and maintenance activities on a regular basis:

- Allow at least 35 minutes for the fireplace to cool down after use, before disconnecting and removing the gas cylinder.
- Store the gas cylinder in a dry, well-ventilated and sheltered area protected from inclement weather and dust, out of the reach of children, and not in a building, garage or any other closed area.
- The fireplace may be stored indoors only if the cylinder is disconnected and removed.
- Keep the fireplace area clear and free from combustible materials, gasoline and other flammable vapors and liquids.
- **Installation and repair should be done by a qualified service person. The fireplace should be inspected before use and at least annually by a qualified service person. More frequent cleaning may be required as necessary. It is imperative that the control compartment, burner, and circulating air passageways of the fireplace be kept clean.**
- If you disassemble the burner when cleaning the fireplace, please reassemble it according to the picture on the right to make sure the burner induction tunnel is on and exactly cover the orifice base. **It is imperative that the control compartment, burner, and circulating air passageways of the fireplace be kept clean.** It is recommended not to disassemble the burner.
- Permanent installation and repair should be done by a qualified service person. The fireplace should be inspected annually by a qualified service person.



TROUBLE SHOOTING

PROBLEM OBSERVED	POSSIBLE CAUSE	CORRECTIVE MEASURES
Gas odor	Gas leak	See “If you smell gas:” on front cover of manual Check all gas connections
Delayed ignition	Low gas pressure Clogged or dirty burner ports Blocked orifice Spent battery	Check gas supply pressure Clean burner ports-see manual section Check orifice opening Change new battery
Incorrect burner flame	Incorrect gas supply or pressure Blocked orifice Clogged or dirty burner ports	Check gas supply pressure Check and clean orifice opening Clean burner ports

If you want to replace the parts listed, please contact SUNJOY Customer Service Center (1-866-578-0101).

LIMITED WARRANTY

Subject to the conditions set out below, this product is warranted to the original purchaser to be free from defects in workmanship and materials for twelve (12) months from the date of purchase.

- Satisfactory proof of the purchase date must be furnished at the time of notification of the defect for any claim under the warranty to be enforceable.
- This warranty covers all parts found defective in workmanship and/or materials during the warranty period and can be repaired or replaced at the discretion of the manufacturer at no cost to the original purchaser.
- This warranty will be void if the product has not been assembled, installed or operated according to the instructions, or subjected to abuse, improperly treated, neglected, rusted by exposure to the elements, misused and/or if any repairs, maintenance, or service has been done by an unauthorized person.
- Returns must be properly packaged and returned to the dealer from whom the product was acquired.
- The manufacturer, distributor and retailer will not be liable for any incidental or consequential loss or damage arising from the installation or operation of the product and/or the failure of any part for any reason.
- There are no other express or implied warranties, except for those stipulated herein. This warranty gives specific rights and the original purchaser may have additional rights and remedies in law.
- This warranty does not cover commercial use.

CLEANING AND MAINTENANCE

- To enjoy outstanding performance of your fire pit for years make sure to perform the following maintenance activities on a regular basis.
- Keep exterior surfaces clean.
- Use warm soapy water for cleaning. Never use flammable, corrosive or abrasive cleaners.
- Clean the holes in the burner with a swab moistened with soapy water. The hole must be unobstructed. The burner must be dry before normal use. Clean annually.
- While washing your unit, be sure to keep the area around the burner and pilot assembly dry at all times. If the gas control is exposed to water in any way, DO NOT try to use it. It must be replaced.
- After a long break from operation, the unit should be inspected for spiders, spider webs or other insects.
- Air flow must be unobstructed. Keep controls, burner and circulating air passageways clean.

Signs of possible blockage include:

- Gas odor with extreme yellow tipping of flame.
- Fire pit does NOT reach the desired temperature.
- Fire pit flow is excessively uneven.
- Fire pit makes popping noises.
- Spider and insects can nest in burner or orifices.
- Compressed air may help clear away small particles.

Warning: Combustion by-products produced when using this product contain chemicals known to the State of California to cause birth defects or other reproductive harm.