

Model 2400/4000

Illustrated Installation

Instructions



Contractors Wardrobe®

DESIGNERS • MANUFACTURERS

26121 Avenue Hall • Valencia, CA 91355 • (661) 257-1177 • Fax: (661) 257-4907

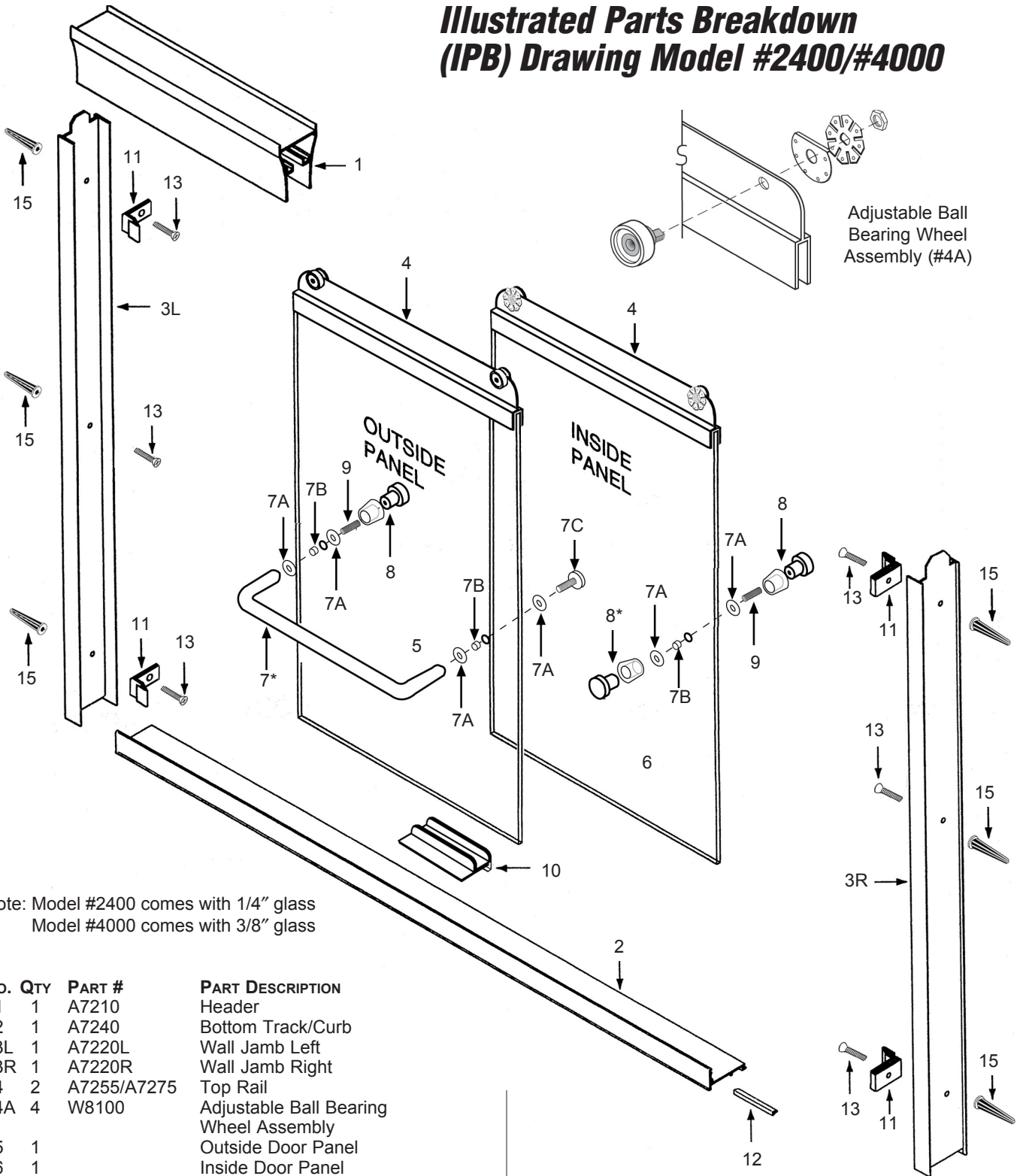
Toll Free: (800) CW-DOORS • (800) 293-6677 • www.CwDoor.com

If your door is shipped with plastic corner protectors keep the corner protectors on the glass when unpacking and do not remove them until after you have installed the glass panels.

**KEEP THE CORNER PROTECTORS
ON THE GLASS WHILE
INSTALLING**



Illustrated Parts Breakdown (IPB) Drawing Model #2400/#4000



Note: Model #2400 comes with 1/4" glass
Model #4000 comes with 3/8" glass

No.	QTY	PART #	PART DESCRIPTION
#1	1	A7210	Header
#2	1	A7240	Bottom Track/Curb
#3L	1	A7220L	Wall Jamb Left
#3R	1	A7220R	Wall Jamb Right
#4	2	A7255/A7275	Top Rail
#4A	4	W8100	Adjustable Ball Bearing Wheel Assembly
#5	1		Outside Door Panel
#6	1		Inside Door Panel
#7	1	T1624	Tubular Towel Bar with Kit

* Note: Not all door styles have towel bars, some are knobs only

Kit includes:
#7A 6 Clear Plastic Washer
#7B 3 3/8" Bushing
#7C 1 Towel Bar Fastener
#8 3 K2400 Pull Knob/Bumper

* Knob only units have (4) knobs

#9	2	H2430	Knob Post
#10	1	G1125/G1140	Bottom Track Guide

No.	QTY	PART #	PART DESCRIPTION
#11	4	L2000	Gray Panel Locator
		L2005	Gold Panel Locator
		L2010	Bronze Panel Locator
#12	1	G4000/G3070	Gray Panel Glide Strip
		G4010/G3030	Gold Panel Glide Strip (Pre-Installed)
#13	6	S82070	Gold #8 x 1-1/2" FH SMS Screw
		S82075	Silver #8 x 1-1/2" FH SMS Screw
		S82075BL	Black #8 x 1-1/2" FH SMS Screw
		S82075W	White #8 x 1-1/2" FH SMS Screw
#14	1	P2400	Hole Plug (shown on Page 7)
#15	6	S0170	White Screw Anchor

In this instruction booklet we will walk you through the installation of your new shower door.

DO NOT REMOVE your old shower door until you check your new shower door kit for all the proper parts.

Make sure that you have all the proper tools required to assemble your new shower door. Use this check list.



- Phillips Screwdriver
- Level
- Electric Drill
- 1/8" Drill Bit (for fiberglass stall)
- 3/16" Masonry Drill Bit (for tile stall)
- Pencil
- Hammer
- Fine File
- Miter Box & Hacksaw with 32 Teeth/Inch Blade
- Caulking Gun and one Tube of Clear Tub/Tile Silicone
- 1/4" Open End Wrench
- Wire Cutters
- Tape Measure
- Duct Tape
- Safety Glasses

CAUTION: Wear Safety Glasses whenever drilling or cutting. Handle the framed glass Panels carefully. The sharp corners of the Panels can damage tile and floor covering. Tempered glass cannot be cut. Do NOT let the corners of the frameless Door Panels strike the other glass Door Panel or any hard surface, wall or floor. Even tempered glass may be shattered in this manner.

STEP 1 Checking Contents of Shower Door Package

DO NOT use a razor blade to cut open the paper wrapping as you may scratch the contents. In the box you should find the following parts:

No.	Qty.	Description
(#1)	1	Header
(#2)	1	Bottom Track/Curb
(#3)	2	Wall Jamb (Left and Right)
(#5)	1	Outside Door Panel
(#6)	1	Inside Door Panel
(#7)	1	Tubular Towel Bar Kit
(#8)	3	Pull Knob/Bumper
(#9)	3	Knob Post
(#10)	1	Bottom Track Guide

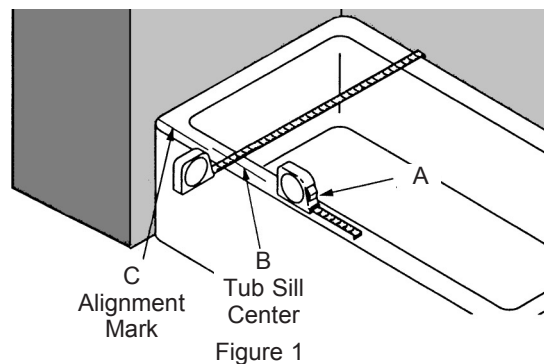
- (#11) 4 Panel Locator
- (#12) 1 Panel Glide Strip (pre-installed in Bottom Track/Curb)
- (#13) 6 #8 x 1-1/2" FH SMS Screw

- (#14) 1 Hole Plug
- (#15) 6 Screw Anchor


If you find that any parts are damaged or missing, refer to the parts list and IPB Drawing and contact Contractors Wardrobe®'s Customer Service Department at 661-257-1177. NOTE: Views and directions given in these instructions — left, right, front, back, etc. — are from outside the enclosure, facing the shower.

STEP 2 Removing Existing Shower Doors

- A. Remove existing shower door and all existing parts to that door assembly. Remove all screw anchors from the wall. Clean silicone sealant or tub caulking and any other contaminant from tub and wall.

STEP 3 Installing Bottom Track/Curb



NOTE: If your shower enclosure has a curve in the corners at the side walls, be sure to measure the distance from wall to wall above the curves.

- A. Using the Tape Measure, measure between right and left walls along the flattest part of the tub sill. Write this dimension down.

- B. Using the Tape Measure, find the center of the tub sill (See Figure 1B). Make a mark where the center is, add 3/4" to this mark and place a new mark on the tub sill on both sides (See Figure 1C).

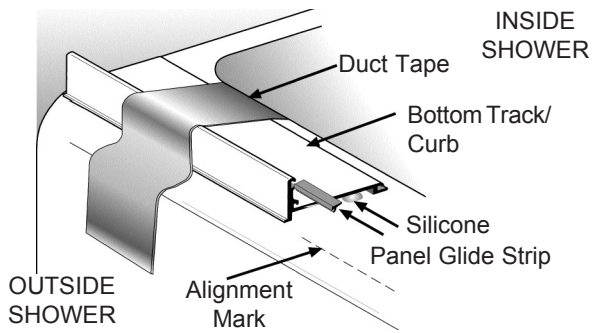


Figure 2

- C. Locate Bottom Track/Curb (#2). Remove the Panel Glide Strip (#12) from the Bottom Track/Curb (#2) (See Figure 2).
- D. Using the measurement from Step 3A, cut the Bottom Track/Curb (#2) to this length. Use the Miter Box and Hacksaw to make a straight cut. If your shower has curved corners, use a Fine File to round off and shape the ends of the Bottom Track/Curb (#2) to fit the rounded corners.
- E. Locate the Panel Glide Strip (#12) (See Figure 2) and, using the Wire Cutters, cut it 3/8" shorter than the Bottom Track/Curb (#2). Re-install the Panel Glide Strip (#12) into the Bottom Track/Curb (#2) so that the ends of Panel Glide Strip (#12) are evenly spaced at each end of the Bottom Track/Curb (#2).
- F. Cut two pieces of Duct Tape 12" long. Next, use the Caulking Gun and apply a thick bead of Silicone sealant (approximately 3/8" in diameter) to the bottom surface of the Bottom Track/Curb (#2) as indicated in Figure 2. Position the Bottom Track/Curb (#2) on the tub sill, aligning with the marks you made in Step 3C. Use the two strips of Duct Tape to temporarily secure the Bottom Track/Curb (#2) in place. **DO NOT** place the tape within 2" of the wall.

NOTE: The tape will help provide a positive seal to the tub sill while holding the Bottom Track/Curb (#2) in place for the following steps.

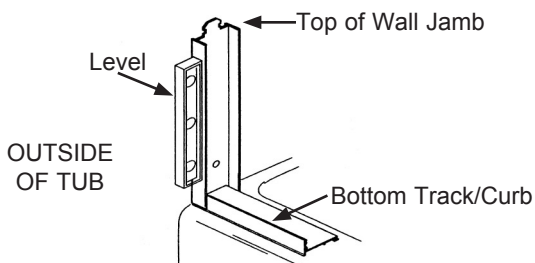


Figure 3

STEP 4 Installing the Wall Jambs

NOTE: The Model #2400/#4000 comes with two Wall Jambs (#3). One is notched for the left wall, the other is notched for the right wall (as you face the enclosure from the outside). Each is marked clearly: "L" for left, "R" for right.

- A. Locate the left Wall Jamb (#3L) marked with an "L".
- B. Place the left Wall Jamb (#3L) against the left wall and slip the bottom of the Wall Jamb (#3L) over the Bottom Track/Curb (#2). Use a Level, held against the side of the Wall Jamb (#3L) to align it vertically straight up and down as shown in Figure 3. Use a Pencil to mark the position of each of the three pre-drilled holes in the left Wall Jamb (#3L). Set the Wall Jamb (#3L) aside for the moment.
- B. Using either a 1/8" Drill Bit (for a fiberglass enclosure) or a 3/16" Masonry Drill Bit (for tile) drill three holes where you made the marks. If installing in a tiled enclosure, gently tap a Screw Anchor (#15) into each hole. **DO NOT use the Screw Anchors (#15) for a fiberglass enclosure.**
- C. Place the Wall Jamb (#3L) back over the Bottom Track/Curb (#2) and against the wall and secure with a single #8 x 1-1/2" FH SMS Screw (#13) in the TOP hole only.
- D. Repeat Steps 4A-4C for the right Wall Jamb (#3R).

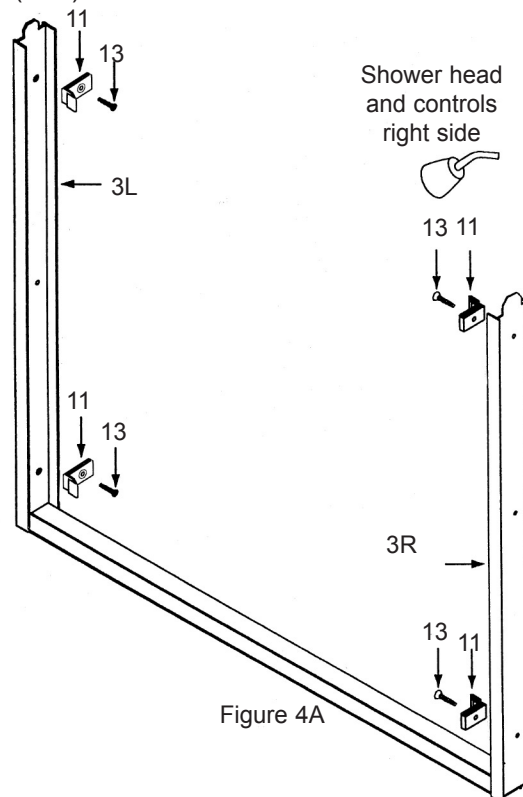


Figure 4A

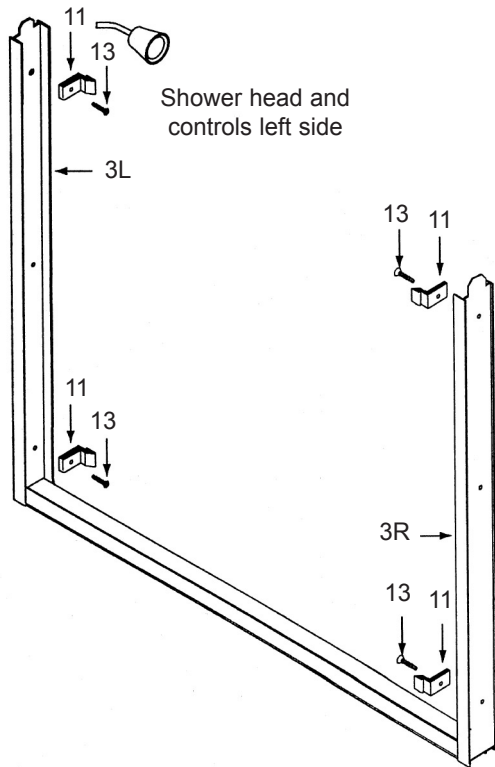


Figure 4B

STEP 5: Installing the Panel Locator

- A. See Figures 4A and 4B to position the Panel Locator (#11). If the shower head is on the right wall, refer to Figure 4A to position the Panel Locator (#11). If the shower head is on the left, refer to Figure 4B. Secure with a #8 x 1-1/2" FH SMS Screw (#13).

STEP 6 Installing the Header

- A. Using the Tape Measure, measure the distance between the top of the left Wall Jamb (#3L) and the top of the right Wall Jamb (#3R) (Remember, the width at the bottom of the enclosure may NOT be the same as the width of the top of the enclosure because walls may not be plumb and square).
- B. Locate the Header (#1). Using the Miter Box and Hacksaw, cut the Header (#1) to the length you just measured.
- C. The Model #2400/#4000 comes with a positive snap-lock feature which eliminates the need for screws to hold the Header (#1) in place. Position the Header (#1) over the top of the Wall Jamb

(#3). Spread the Header (#1) sides slightly as you pull it down onto the Wall Jambs (#3) and it snaps and locks in place. You should be able to hear and feel when it solidly locks in place (See Figure 5).

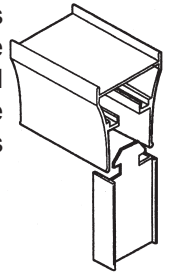


Figure 5

STEP 7 Installing the Door Panels

Installing the door Panels may be easier if you have someone assisting you. **Always wear Gloves and Safety Goggles whenever handling glass.** NOTE: Take extra care in handling frameless glass Panels. DO NOT allow the Panels to strike the tub/tile or each other.

- A. Hold the Inside Door Panel (#6) so that the rollers are facing away from you. Standing outside of and facing the shower enclosure, lift the Inside Door Panel (#6) up and over the Bottom Curb/Sill (#2) and then insert the Top Rail (#4) with Adjustable Ball Bearing Wheel Assemblies (#4A) up into the Header (#1) and set the rollers into the rear track of the Header (#1).

- B. Gently lower the rollers into position so that they are seated in the track. Make sure that the Panel rolls freely.

- C. Hold the Outside Door Panel (#5) so that the rollers are facing towards you. Standing outside of and facing the shower enclosure, use the index fingers of both hands to carefully push the Inside Door Panel (#6) back and out of the way as you lift the Outside Door Panel (#5) up and over the Bottom Curb/Sill (#2) and then insert the Top Rail (#4) with Adjustable Ball Bearing Wheel Assemblies (#4A)

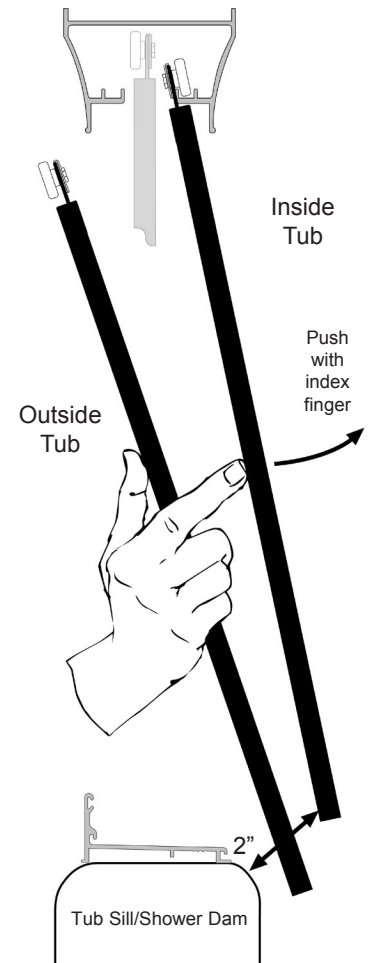


Figure 6

up and into the Header (#1) (See Figure 6). **DO NOT let the two Panels strike one another.** Set the rollers into the front track of the Header (#1). If someone is assisting you, have him/her hold the Inside Door Panel (#6) back, out of your way for this step.

- D. VERY CAREFULLY seat the Outside Door Panel (#5) into the track and make sure that it rolls freely. Carefully let the Inside Door Panel (#6) ease back into position.
- E. Slide both Panels to one side.

STEP 8 **Adjusting and Aligning the Door Panels**

- A. To ensure that the enclosure is water-tight, the Door Panels (#5 and #6) must be correctly aligned. Slide the Inside Door Panel (#6) toward the wall with the shower head. Slide the Outside Door Panel (#6) to the opposite wall. If the Door Panels (#5 and #6) are not flush with the Wall Jambs (#3) or are too high off the Bottom Track/Curb (#2), the unit could leak while the shower is in use. If the edges of the Door Panels (#5 and #6) do not align flush with the Wall Jambs (#3), the Door Panels (#5 and #6) need to be adjusted.
- B. One or more of the Ball Bearing Wheel Assemblies (#4A) may need to be adjusted to properly align the Door Panels (#5 and #6). Using a 1/4" Open End Wrench, rotate the incremental washer and adjustment nut of the Ball Bearing Wheel Assemblies (#4A) in either direction until the Door Panels (#5 and #6) hang flush with the Wall Jambs (#3).

STEP 9 **Installing the Tubular Towel Bar and Pull Knob/Bumpers**

Before you begin, refer to Figure 7 to determine the correct orientation of hardware for your own installation. The Inside Door Panel (#6), with back-to-back Pull Knob/Bumpers (#8) will slide to the wall nearest the shower head and the Outside Door Panel (#5) with Tubular Towel Bar and one Pull Knob/Bumper (#8) will slide to the opposite wall.

- A. Locate the Tubular Towel Bar Kit (#7) with Fastener (#7C), three Pull Knob/Bumpers (#8), two threaded Knob Posts (#9), three 3/8" Bushings (#7B), six Clear Plastic Washers (#7A) and the clear Hole Plug (#14). Refer to the IPB Drawing to help identify these parts.

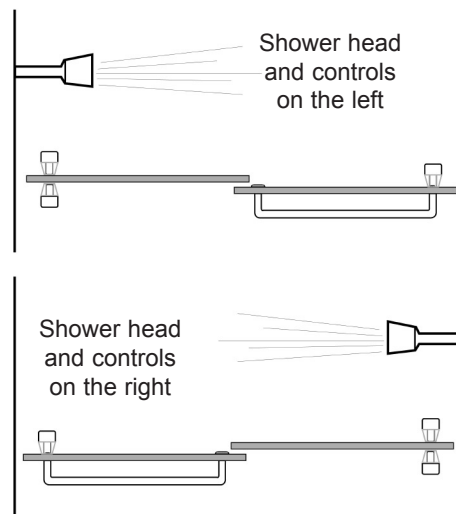


Figure 7

- B. Slide both Door Panels (#5 and #6) to the Wall Jamb (#3) opposite the side with the shower head. Now slide the Outside Door Panel (#5) 5"-6" toward the shower head. This will give you clearance to perform the next step.
- C. Insert a 3/8" Bushing (#7B) into the hole in the Outside Door Panel (#5) nearest the shower head. Place a Clear Plastic Washer (#7A) over the threaded post of the Towel Bar Fastener (#7C) and insert the Towel Bar Fastener (#7C) post with Clear Plastic Washer (#7A) through the 3/8" Bushing (#7B) so that the end sticks out on the front of the Outside Door Panel (#5).
- D. Place another Clear Plastic Washer (#7A) over the exposed end of the Towel Bar Fastener (#7C) and attach the Towel Bar (#7) to the post by screwing in the Towel Bar Fastener (#7C) "finger tight".
- E. To complete installing the Tubular Towel Bar Kit (#7), screw a Knob Post (#9) into the end of a Pull Knob/Bumper (#8) and place the Pull Knob/Bumper (#8) over the Knob Post (#9) and onto the Pull Knob/Bumper (#8) (See Figure 8).
- F. Insert a 3/8" Bushing (#7B) into the other hole drilled through the glass of the Outside Door Panel (#5).
- G. Place a Clear Plastic Washer (#7A) over the threaded Knob Post (#9) and insert the Pull Knob/Bumper (#8) with Knob Post (#9) and Clear Plastic Washer (#7A) through the 3/8" Bushing (#7B) in the hole. Place another Clear Plastic Washer (#7A) over the exposed end of the Knob Post (#9) and align the end of the Towel Bar (#7) with the Knob Post (#9).

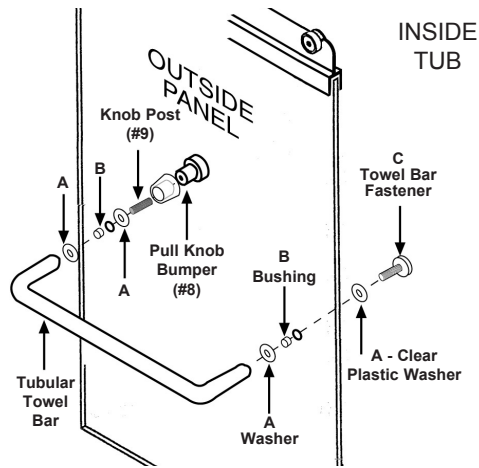


Figure 8

- H. Attach the Towel Bar (#7) by screwing the assembled Pull Knob/Bumper (#8) and Knob Post (#9) into the end of the Towel Bar (#7). Tighten “finger tight”.
- I. Now slide the Inside Door Panel (#6) towards the shower head about 5-6” for the next step.
- J. To install the Pull Knob/Bumpers (#8) and Knob Post (#9), refer to Figure 9 as you attach the other two Pull Knob/Bumpers (#8) back-to-back on the Inside Door Panel (#6). Insert a 3/8” Bushing (#7B) into the hole in the glass nearest the shower head. Assemble a threaded Knob Post (#9) and Pull Knob/Bumper (#8) along with a Clear Plastic Washer (#7A) as described in Step 10-E. Insert the Knob Post (#9) through the 3/8” Bushing (#7B) in the Inside Door Panel (#6).

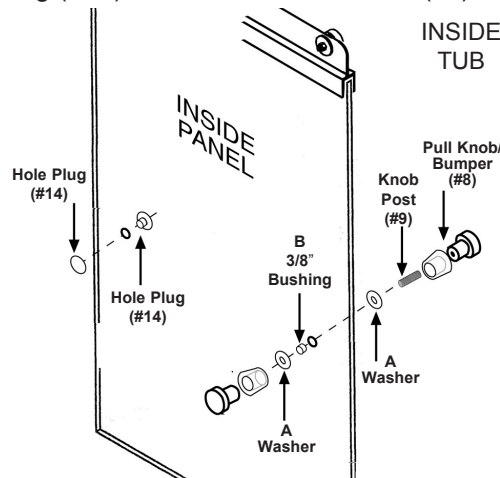


Figure 9

- K. Place a Clear Plastic Washer (#7A) over the exposed end of the Knob Post (#9) and attach the other Pull Knob/Bumper (#8) to the Knob Post (#9). Tighten everything “finger tight”.
- L. The clearance between the two Door Panels (#5 and #6) will leave you just enough room to insert the clear Hole Plug (#14) into the other hole in the Inside Door Panel (#6). If necessary, you

can spread the two Door Panels (#5 and #6) slightly apart to give yourself more room. The two-piece Hole Plug (#14) snaps together to seal the hole.

- M. Finally, gently slide the Inside Door Panel (#6) towards the wall with the shower head and the Outside Door Panel (#5) to the other wall to ensure that they clear one another. Double check that the overlap of the two doors is correct, as shown in Figure 7.

STEP 10 Installing the Guide

WARNING! DO NOT ATTEMPT TO LOCK THE BOTTOM TRACK GUIDE (#10) IN PLACE UNTIL YOU ARE READY TO INSTALL IT! Once the Bottom Track Guide (#10) is in place the shower door Panels will be **EXTREMELY** difficult to remove and adjusting or removing the Bottom Track Guide (#10) will be nearly impossible.

- A. Locate the Bottom Track Guide (#10). First, make sure that the surface of the Bottom Track/Curb (#2) is completely clean of oil, dust, debris or other contaminants.
- B. With a Tape Measure, measure from Wall Jamb (#3) to Wall Jamb (#3) and, with a Pencil, mark the center point of the Bottom Track/Curb (#2) on the inside edge of the Bottom Track/Curb (#2) or lightly on the tub sill or tile where it will be visible. Remember, you will want to be able to see the pencil mark after you insert the Bottom Track Guide (#10) into the groove in the Bottom Track/Curb (#2) so that you can center the Bottom Track Guide (#10).
- C. Slide both Door Panels (#5 and #6) to one side. Peel the paper backing off the two-way tape on the bottom of the Bottom Track Guide (#10). Without letting the adhesive tape touch the Bottom Track/Curb (#2) OR accidentally pressing down or locking the Bottom Track Guide (#10) into place, carefully insert the front edge of the Bottom Track Guide (#10) into the groove in the Bottom Track/Curb (#2) and slide the Bottom Track Guide (#10) under the two Door Panels (#5 and #6) as shown in Figure 10A. Center the Bottom Track Guide (#10) on the pencil mark you made (See Figure 10A).
- D. Press the Bottom Track Guide (#10) onto the Bottom Track/Curb (#2) and lock it into position by pressing firmly on the back edge of the Bottom Track Guide (#10) as shown in Figure 10B. You should feel it lock into place. If the Bottom Track Guide (#10) doesn't lock into position easily, it may be necessary to press firmly on one end to start the process and work along the back of the Bottom Track Guide (#10) in order to lock it into place (See Figure 10C).

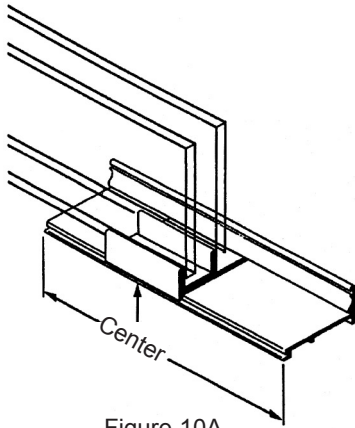


Figure 10A

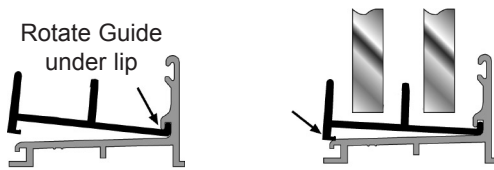


Figure 10B

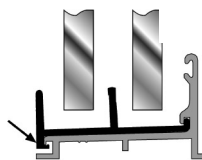


Figure 10C

STEP 11 ***Silicone Sealing the Enclosure***

- A. Using Caulking Gun and Clear Silicone, seal both ends of the Bottom Track/Curb (#2) where it meets the Wall Jambs (#3) and along the interior and exterior edge of the Header (#1).

NOTE: Silicone sealant must cure for 24 hours before you use your new enclosure. Silicones may vary. Please follow curing instructions on the tube.

STEP 12 ***Cleaning the Door Panels***

Clean the glass and enclosure hardware with a mild, non-abrasive cleaner designed for glass such as CW® Mirror & Glass Cleaner. Avoid using scouring cleansers as this will scratch and mar the beautiful finish on the enclosure.

Thank you for purchasing a CW® Shower Enclosure. This is only one of a large line of shower enclosures and high quality wardrobe door products. If you like this product, please contact Contractors Wardrobe® for more information about our many beautiful wardrobe doors in bi-pass and bi-fold styles with steel, aluminum and hardwood frames.