

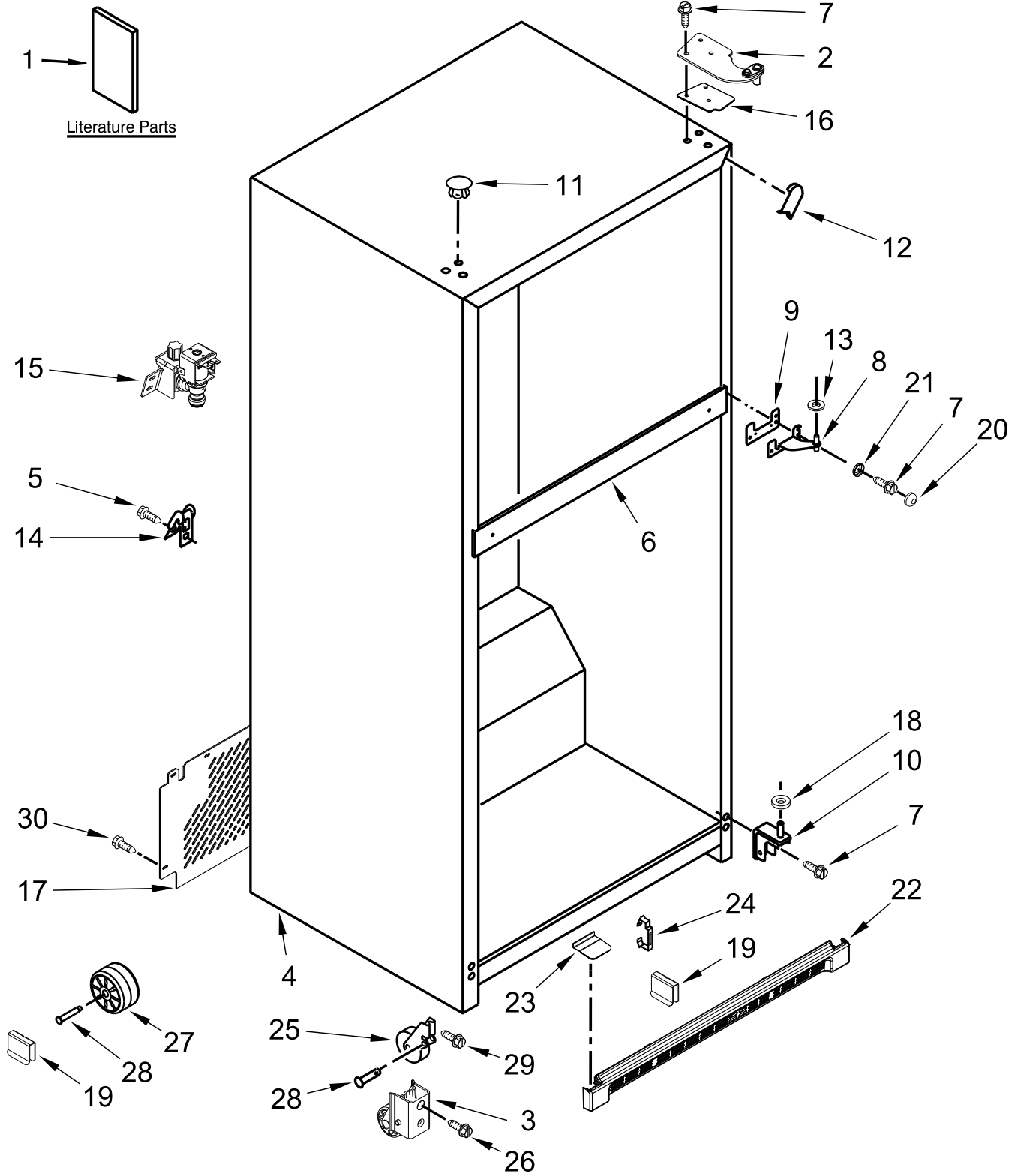


REFRIGERATOR

MODELS:

MRT711BZDH00 (White)
MRT711BZDE00 (Black)
MRT711BZDM00 (Stainless)

CABINET PARTS



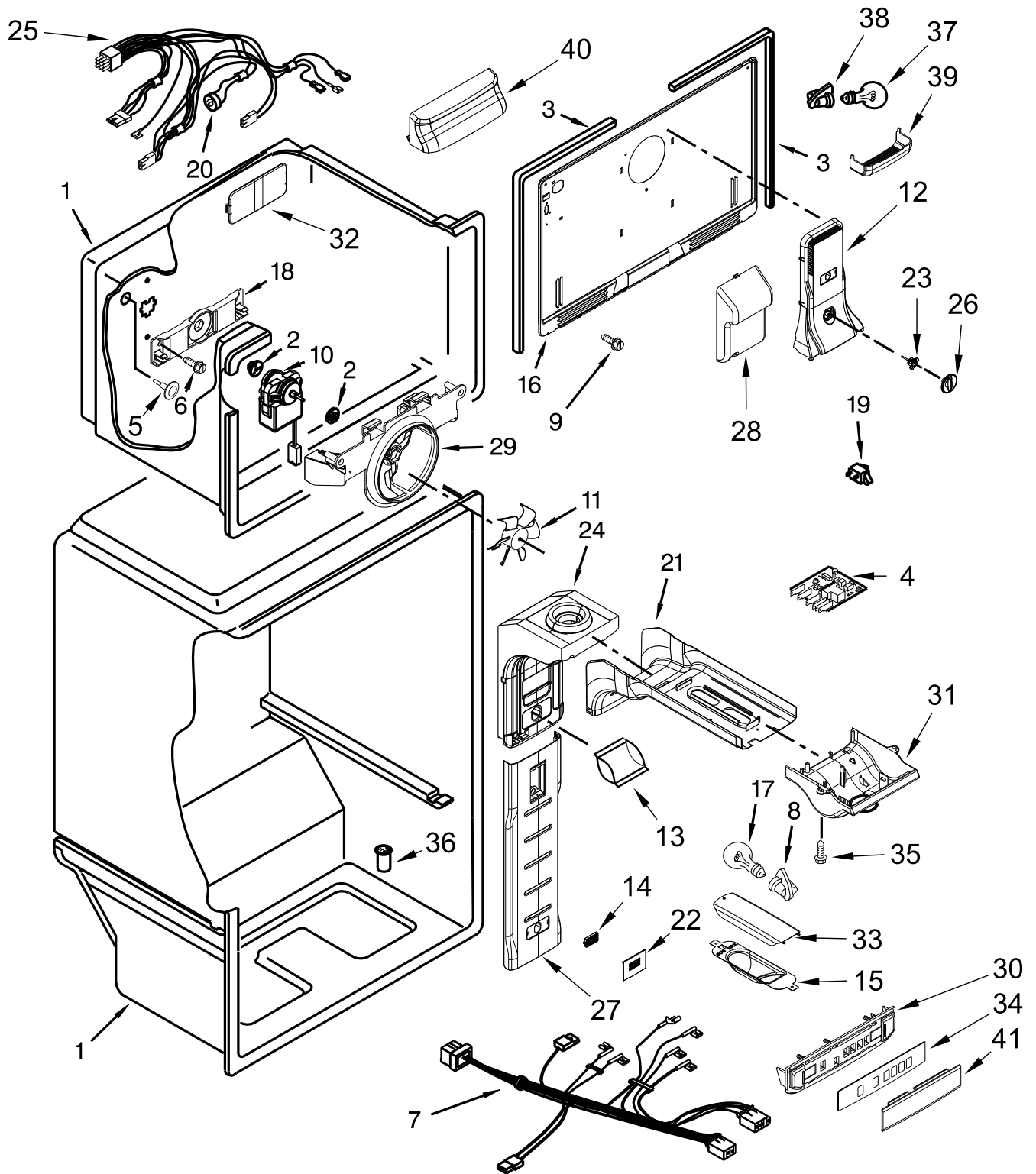
CABINET PARTS

<u>Illus. No.</u>	<u>Part No.</u>	<u>Description</u>
1		Literature Parts
	W10737602	Service & Wiring Sheet
	W10668819	Use & Care Guide
	W10705817	Energy Label
2	W10300065	Assembly, Top Right Hinge
3	W10725960	Assembly, Roller
4		Cabinet (Not Serviced)
5	489442	Screw
6		Rail, Center (Not Serviced)
7	489497	Screw
8	2254618	Hinge, Center
9	2183852	Shim, Hinge Center
10	2254473	Hinge, Bottom
11		Hole Plug
	W10520304	White
	W10520305	Black
	W10520307	Grey

<u>Illus. No.</u>	<u>Part No.</u>	<u>Description</u>
12		Filler, Wrapper
	W10283959	White
	W10283960	Black
	W10283961	Grey
13	489341	Washer, Plastic
14	549193	Clamp, Power Cord
15	W10279909	Valve, Inlet
16	W10338247	Shim, Top Hinge
17	W10609390	Cover, Unit
18	487576	Washer, Plastic
19	2174706	Clip, Roller
20		Dome Cap
	W10674771	White
	W10679135	Black
	W10679139	Grey
21	W10674773	Dome Cap, Washer
22		Grille
	W10592141	White
	W10592142	Black
	W10592144	Grey

<u>Illus. No.</u>	<u>Part No.</u>	<u>Description</u>
23		Cover, Toe Grille
	W10600071	White
	W10468609	Black
	W10468611	Grey
24	2254385	Clip, Grille
25	2166108	Assembly, Roller
26	W10142287	Bolt
27	2150304	Roller
28	2221797	Axle, Rivet
29	W10724426	Screw
30	2262176	Screw

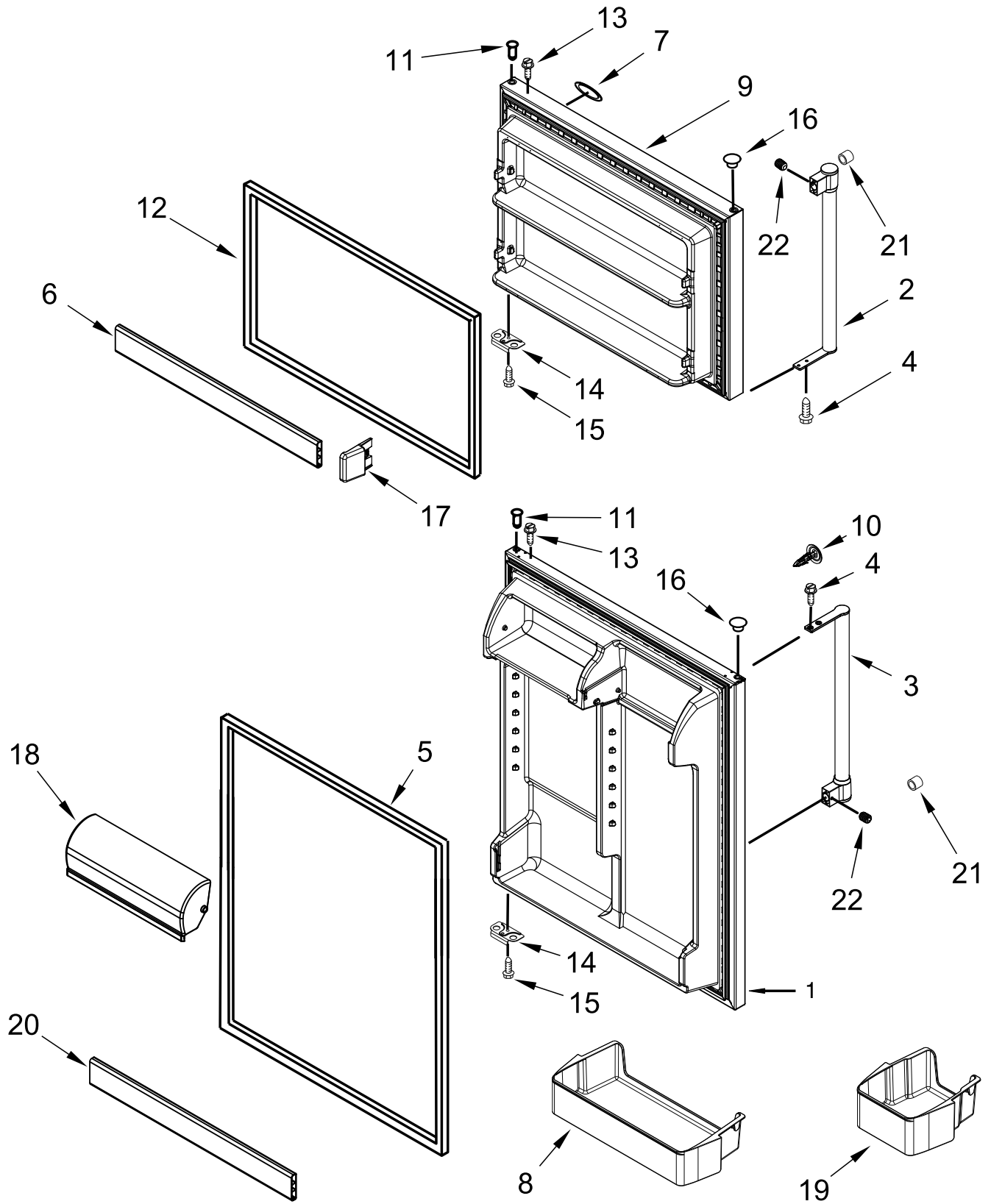
LINER PARTS



LINER PARTS

<u>Illus.</u> <u>No.</u>	<u>Part No.</u>	<u>Description</u>	<u>Illus.</u> <u>No.</u>	<u>Part No.</u>	<u>Description</u>	<u>Illus.</u> <u>No.</u>	<u>Part No.</u>	<u>Description</u>
1		Liner (Not Serviced)	14	W10315189	Filter, Air	27	W10705785	Air Cover Filter
2	2197380	Grommet	15	W10300161	Shield, Light	28	W10716791	Cover, Water Tube
3	2254360	Gasket, Evaporator Cover	16	W10616173	Cover, Evaporator	29	W10321162	Bracket, Fan Motor
4	W10341559	Control, User Interface	17	W10565137	Lamp, LED	30	W10705218	Control, Fascia
5		Hole Plug	18	2254454	Bracket, Evaporator Fan Rear	31	W10316942	Control Box
	941839	White	19	1118894	Switch, Rocker Arm	32	W10336009	Cup, Screw
6	488208	Screw	20	W10392132	Bi-Metal, Defrost	33	W10348614	Cover, Light
7	W10654394	Wire Assembly, Control Box	21	W10305175	Cover, Air Diffuser	34	W10704853	Overlay
8	2162085	Socket, Light	22	W10330850	Grille, Air Filter Bottom	35	489174	Screw
9	W10142283	Screw (White)	23	W10662269	Baffle, Air Manual	36	2210509	Valve, Release
10	2315539	Motor, Evaporator Fan	24	W10395376	Multiflow Assembly	37	W10574850	Lamp, LED
11	2200509	Blade, Fan	25	W10614946	Assembly, Freezer Compartment Wire	38	W10440814	Socket, Light
12	W10654834	Air Tower Assembly, FC	26	W10570952	Knob, Air Control	39	W10313918	Lens, Light
13	W10346771	Filter, Produce Preserver				40	W10313917	Housing, Freezer Lighting
						41	W10339195	Lens, Fascia

DOOR PARTS



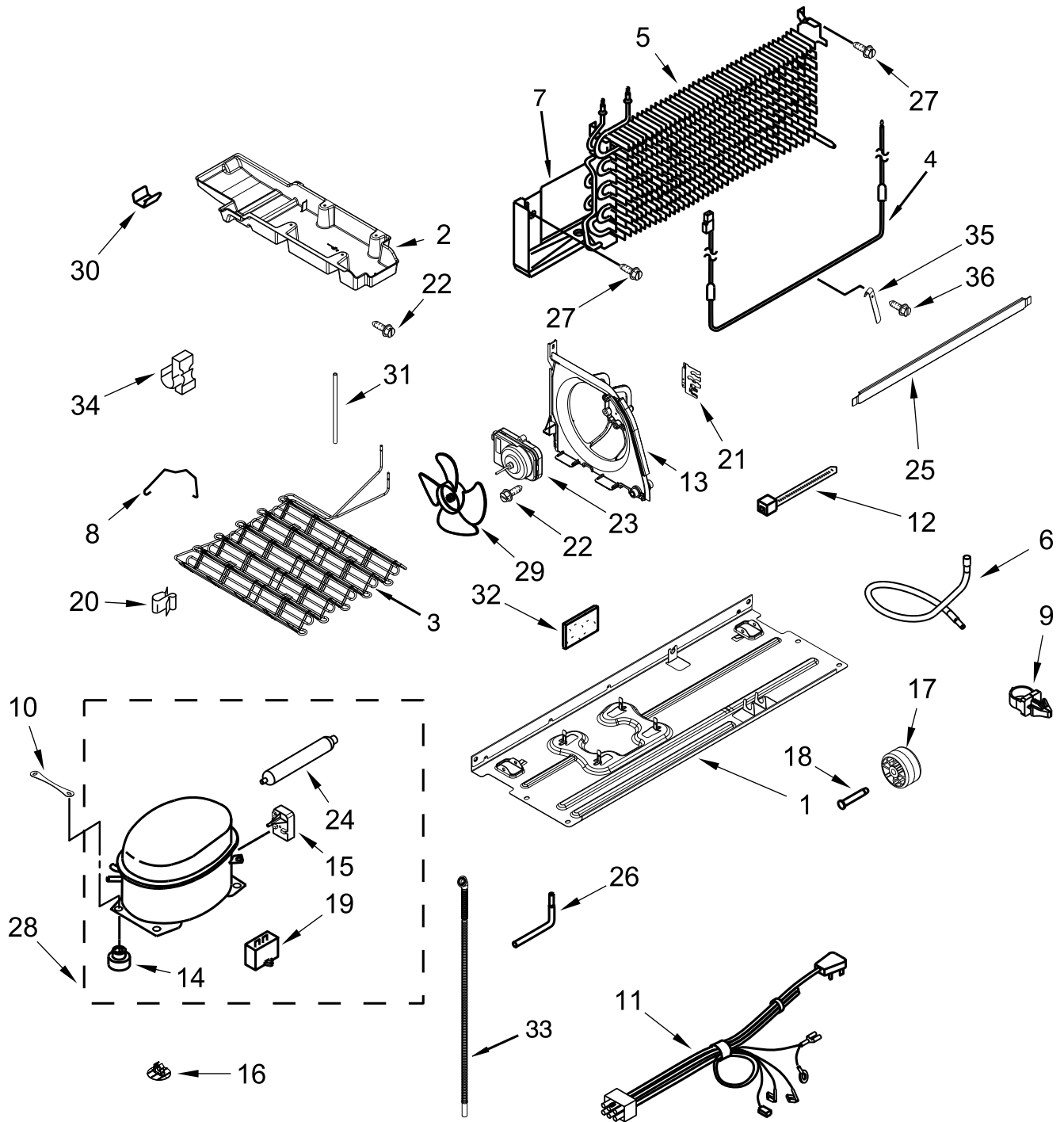
DOOR PARTS

<u>Illus. No.</u>	<u>Part No.</u>	<u>Description</u>
1		Refrigerator Door (Includes Illus. 5)
	W10651924	White
	W10651925	Black
	W10651926	Stainless
2		Handle, Freezer
	W10647957	Neptune Frost
3		Handle, Refrigerator
	W10647954	Neptune Frost
4	3400018	Screw
5		Door Gasket, Magnetic
	W10692652	White
	2202882	Black
	W10171475	Grey
6	W10592150	Trim, Door
7	W10612925	Badge

<u>Illus. No.</u>	<u>Part No.</u>	<u>Description</u>
8	W10308868	Bin, Large Door
9		Freezer Door (Includes Illus. 12)
	W10651927	White
	W10651928	Black
	W10651929	Stainless
10		Hole Plug
	W10663736	White
	W10663737	Black
	W10663739	Grey
11		Thimble-Top
	W10334042	Thimble, Top (Black)
12		Door Gasket, Magnetic
	W10692653	White
	2214969	Black
	W10171479	Grey

<u>Illus. No.</u>	<u>Part No.</u>	<u>Description</u>
13	8281206	Screw
14	2189202	Bracket, Door Stop
15	489276	Screw
16		Hole Plug, Hinge Sleeve
	2212648	White
	2212651	Black
	2254517	Grey
17	W10592153	Cap, Trim End
18	W10601425	Compartment, Door
19	W10308869	Bin, Medium
20	W10592148	Trim, Door
21	W10511911	Bushing, Handle
22	W10010140	Set Screw (Silver)

UNIT PARTS

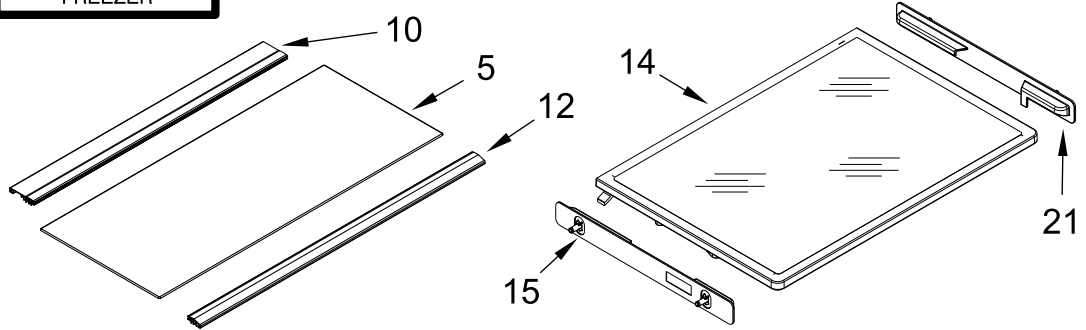


UNIT PARTS

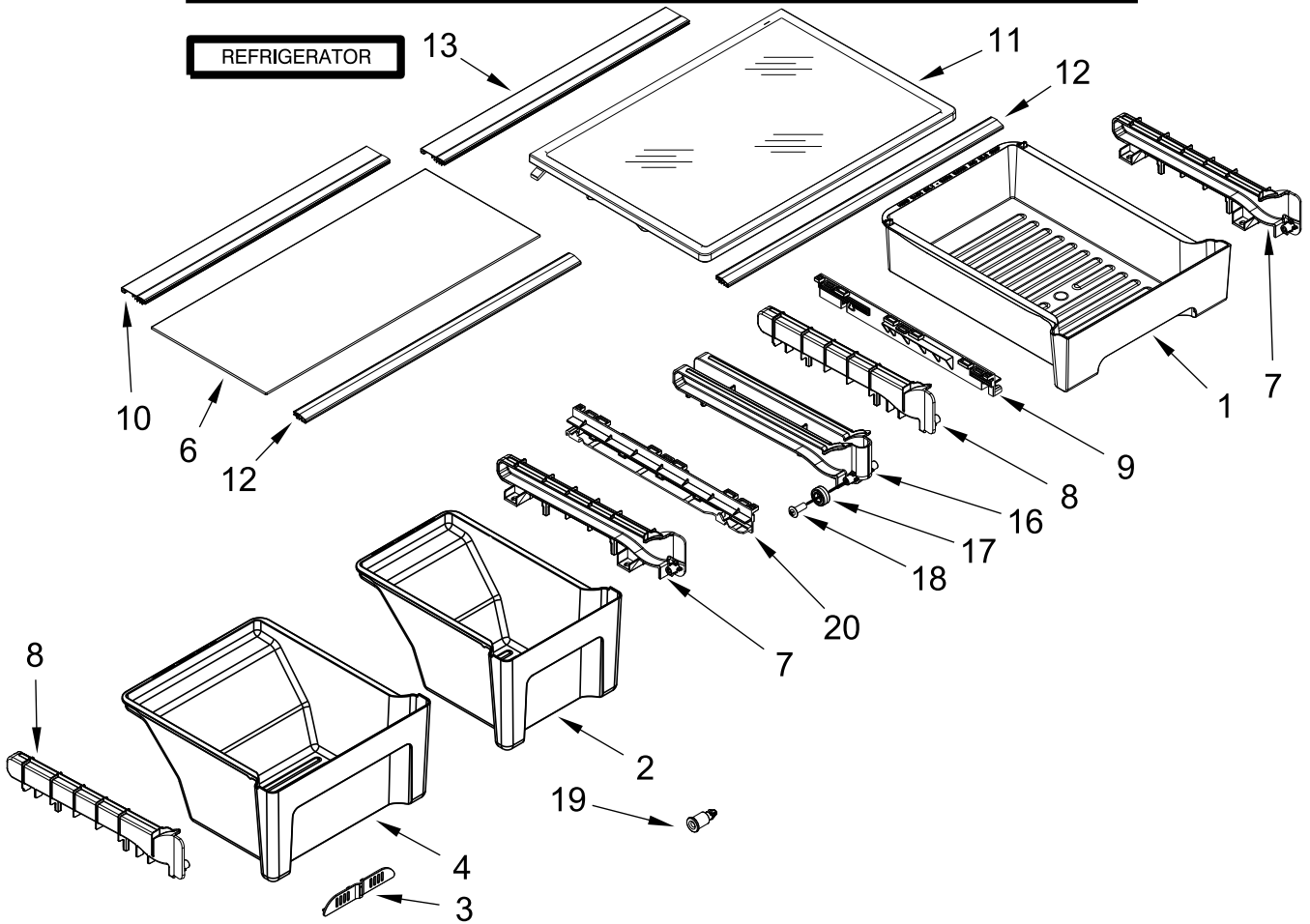
<u>Illus.</u> <u>No.</u>	<u>Part No.</u>	<u>Description</u>	<u>Illus.</u> <u>No.</u>	<u>Part No.</u>	<u>Description</u>	<u>Illus.</u> <u>No.</u>	<u>Part No.</u>	<u>Description</u>
1	W10300118	Baseplate	17	W10475495	Roller	33	W10475011	Tube, Drain
2	W10466213	Tray, Drain	18	2179826	Axle, Rivet	34	2326941	Clip, Wire
3	W10609393	Condenser	19	W10590083	Capacitor	35	2258429	Heat Probe
4	W10316428	Heater, Defrost	20	939054	Clip, Wire (Compressor)	36	489478	Screw
5	W10570565	Assembly, Evaporator	21	W10314197	Bracket, Evaporator			Following Parts Not Illustrated
6	W10510988	Tube, Suction	22	W10622701	Screw		978025	Valve, Access
7	W10314195	Shield, Heat	23	2188875	Motor, Condenser		978026	Valve, Access
8	W10174384	Strap, Bale	24	W10669573	Drier		978027	Valve, Access
9	2219077	Clip, Harness	25	W10300902	Cover, Heater		978028	Valve, Access
10	W10236396	Strap, Compressor	26	VS20001	Tube, Process		978029	Valve, Access
11	W10637520	Harness, Unit	27	489442	Screw		978030	Valve, Access
12	2263990	Tie, Wire	28	W10445423	Compressor		876764	Valve, Access
13	W10609392	Baffle, Air	29	W10139483	Blade, Fan			REFRIGERANT
14	10835903	Grommet	30	W10248621	Clip, Condenser			CHARGE
15	W10448874	Device, Start	31	W10519112	Valve, Drain			5.0 oz. (R-134A)
16	W10296661	Clip, Bottom Cover	32	2215468	Insulation, Sound			

SHELF PARTS

FREEZER



REFRIGERATOR



SHELF PARTS

<u>Illus.</u> <u>No.</u>	<u>Part No.</u>	<u>Description</u>	<u>Illus.</u> <u>No.</u>	<u>Part No.</u>	<u>Description</u>	<u>Illus.</u> <u>No.</u>	<u>Part No.</u>	<u>Description</u>
1	W10308849	Pan, Meat	10	W10691459	Trim, Shelf Rear	19	W10628712	Axle, Roller
2	W10662133	Pan, Crisper	11	W10579374	Assembly, Shelf	20	W10468556	Rail, Track (Right Hand)
3	W10356844	Control, Humidity	12	W10691501	Trim, Shelf Front	21	W10345368	Support, Freezer Shelf (Right Side)
4	W10663427	Pan, Crisper 16"	13	W10730166	Trim, Shelf Rear			
5	W10691489	Assembly, Shelf Crisper	14	W10601431	Shelf, Freezer Glass			
6	W10691527	Assembly, Shelf RC	15	W10345367	Support, Freezer Shelf (Left Side)			
7	W10694151	Track Rail, Right Hand	16	W10694150	Track Rail, Center			
8	W10694149	Track Rail, Left Hand	17	W10628713	Roller, Pan			
9	W10468555	Rail, Track (Left Hand)	18	3400065	Screw (Stainless)			

OPTIONAL PARTS

FOLLOWING PARTS NOT ILLUSTRATED

<u>Illus. No.</u>	<u>Part No.</u>	<u>Description</u>
978941	Insulation, Fiberglass (63 1/2" x 35 1/2" x 2 5/8")	
212643	Sealer, Gum (4 Feet)	
479502	Tape, Vinyl (3/4 x 108")	
876305	Insulation Kit (14 Pieces, 3" x 24" x 48")	
876370	Insulation (2 Pieces, 3" x 24" x 48")	
876029	Kit, Foam Slab (30" x 32 1/2" x 1 1/2")	
505587	Sealer, Mastic (1 Qt)	
511873	White Porcelain (2 oz.)	
542638	Grease, Silicone (1/2 Oz.)	
542639	Cement, Alumilastic (1 1/4 Oz.)	
606755	Bag	
833938	Kit, Terminal Connector	
503695	Cork, Sealer	

PAINT, TOUCH-UP (1/2OZ.)

<u>Illus. No.</u>	<u>Part No.</u>	<u>Description</u>
	72017	White
	72032	Black
	4392899	Biscuit/Bisque

PAINT, PRESSURIZED SPRAY (12 OZ.)

<u>Illus. No.</u>	<u>Part No.</u>	<u>Description</u>
	350942	White Primer
	350939	Enamel, Black
	350930	White
	4392901	Biscuit/Bisque

PAINT, BULK (1 QT.)

<u>Illus. No.</u>	<u>Part No.</u>	<u>Description</u>
	799344	White
	4392900	Biscuit/Bisque

ICE MAKER FIELD INSTALLABLE

<u>Illus. No.</u>	<u>Part No.</u>	<u>Description</u>
	W10715709	Ice Maker Assembly (ECKMFEZ2)

TORX SCREW WRENCH

<u>Illus. No.</u>	<u>Part No.</u>	<u>Description</u>
	1117510	Torx Key