

weatherables
by USA Vinyl

Privacy Fence Gate

Installation Guide

GATE ASSEMBLY INSTRUCTIONS

ASSEMBLY OF PRIVACY GATE

- 1** Always start by doing a "Dry Fit" test without gluing. This allows you to make any necessary adjustments. Start the assembly by inserting the rails into the first gate socket post as shown. Install a u-channel on the first picket. Feed the pickets into the slots of the rails. Continue installing the additional pickets.



- 2** Once you have finished installing the pickets, install the remaining U-channel in the same manner as the first. Do not use glue for the initial "Dry Fit" assembly. Once assembly is complete measure to be sure gate is the same width at top and bottom.



- 3** Cross measure the gate. Be sure to read the same side of the tape rule. Failure to do so will result in the wrong measurement.



- 4** Leaving the panel assembled, carefully remove the rails from the socket posts. Turn the first socket post up and run a 1/8" bead of vinyl glue (included) around the inner rim of the socket approx. 1/4" down



- 5** After the glue is in the pockets of the first gate post, flip it down and quickly insert the rails into the pockets. Be sure to firmly insert the rails. The adhesive will set in about 45-60 second.



- 6** Quickly repeat steps 5 & 6 for the other post. This may take some assistance to do before the adhesive begins to set.



- 7** Quickly measure the top and bottom of the gate as shown here. Both measurements should be equal.



- 8** Allow glue to dry for 1 hour, cut and install the angle brace. The brace should run at an angle starting at the lower corner of the gate on the hinge side and run at an upward angle towards the top of the gate on the latch side.



- 9** Pre-drill two holes into each end of the angle brace only. **DO NOT** Pre-Drill into the gate. Attach the angle brace using two of the provided self-tapping screws at each end of the gate.



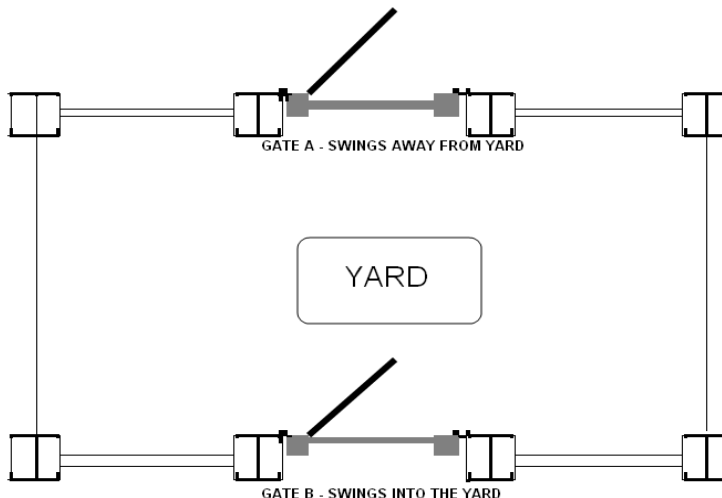
GATE INSTALLATION INSTRUCTIONS

The following is based on an assembled gate that is properly sized for opening.

SINGLE GATE INSTRUCTIONS

- Determine the direction the gate is to swing, usually swings into yard. **Be sure to check your local codes!**
- If you have aluminum post inserts, install prior to the installation of the gate. If you do not have inserts you must fill the hinge post with concrete and rebar after the gate installation.
- Locate and follow hardware installation instructions.

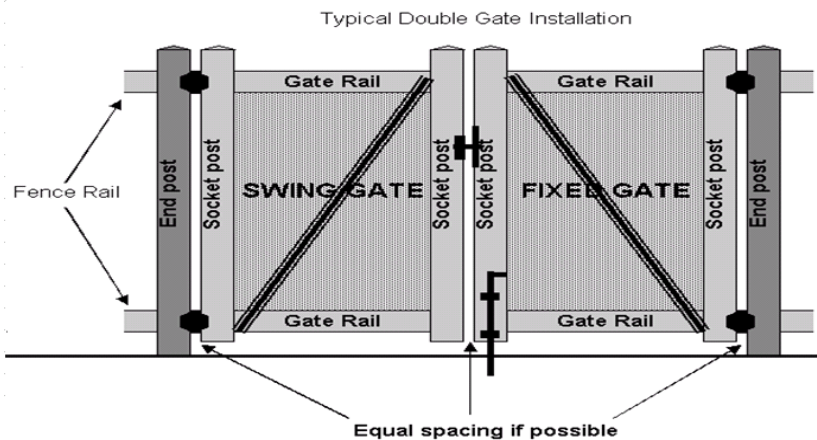
The gate will be mounted to be flush with the side of the fence that the gate will be swinging. See the illustration to the right. Be sure the gate will be high enough to clear obstructions such as snow. The gate posts should be cut on site as needed. Some installers cut the gate posts off at the bottom of the bottom gate pocket. **DO NOT** cut into the gate pocket.



DOUBLE GATE INSTRUCTIONS

Typical gate installation based on an assembled gate that has been properly sized for the opening

- Follow the same instructions as per a single gate when installing the hinges for both gates.
- To calculate the variances for the latch you must treat the fixed gate as if it were a standard fence panel.
- The ideal hardware installation on a double gate should have equal spacing between posts and gates.
- Install the Drop Rod to post of the fixed gate.



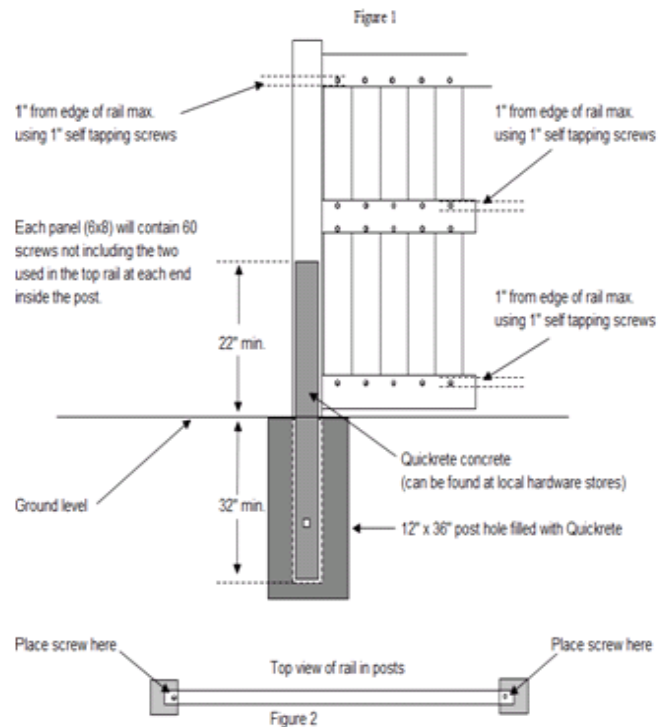
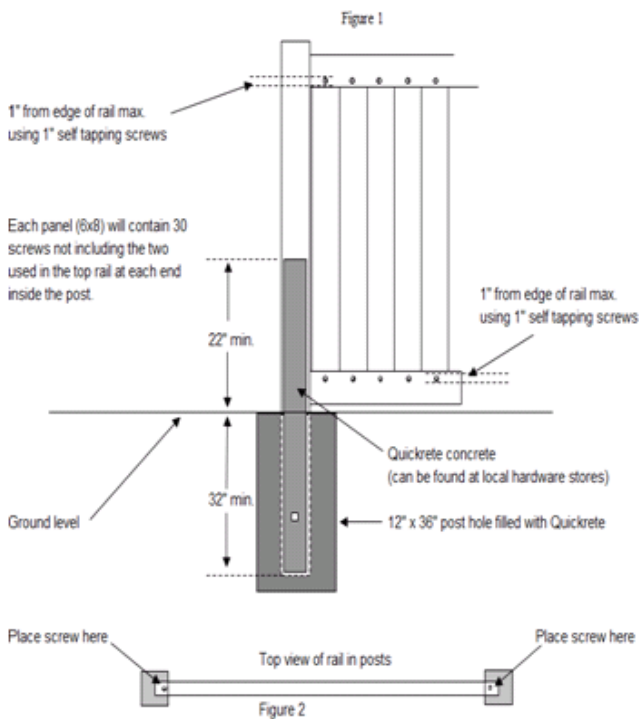
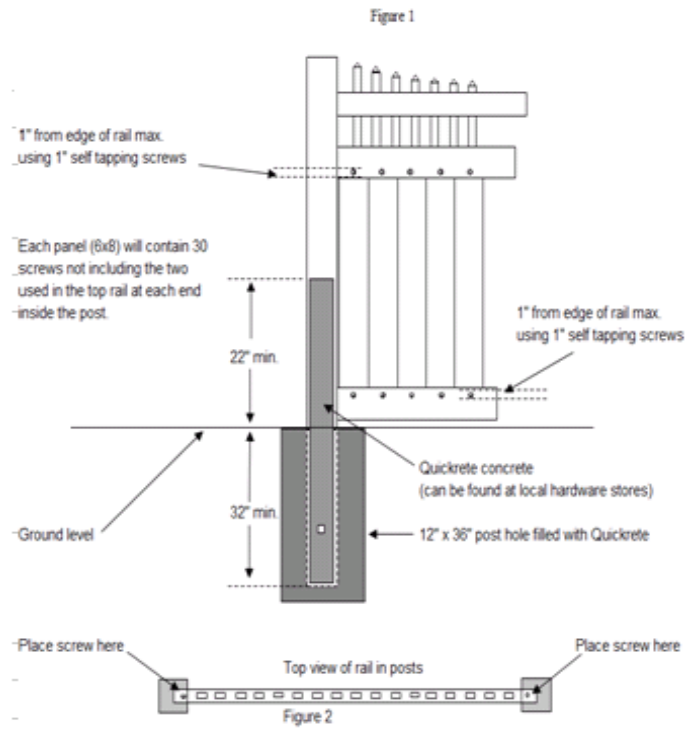
HIGH WIND INSTALLATION INSTRUCTIONS FOR PRIVACY PANELS

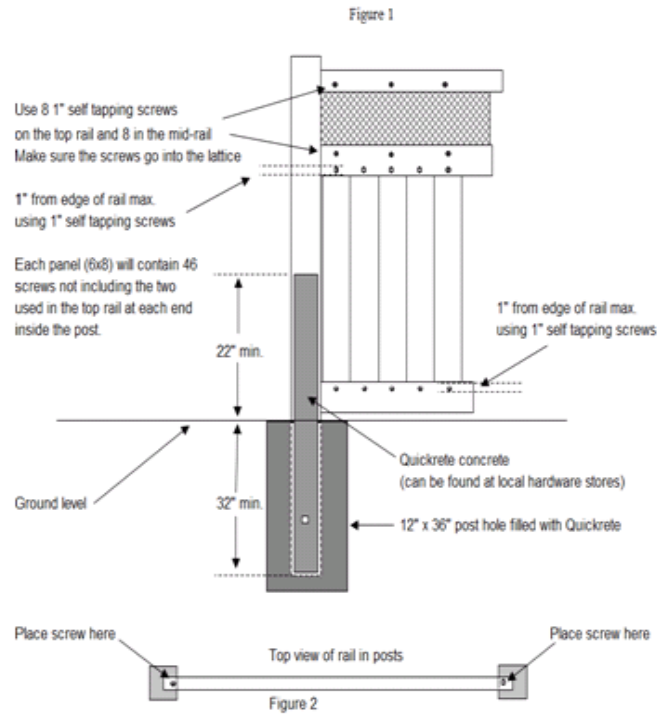
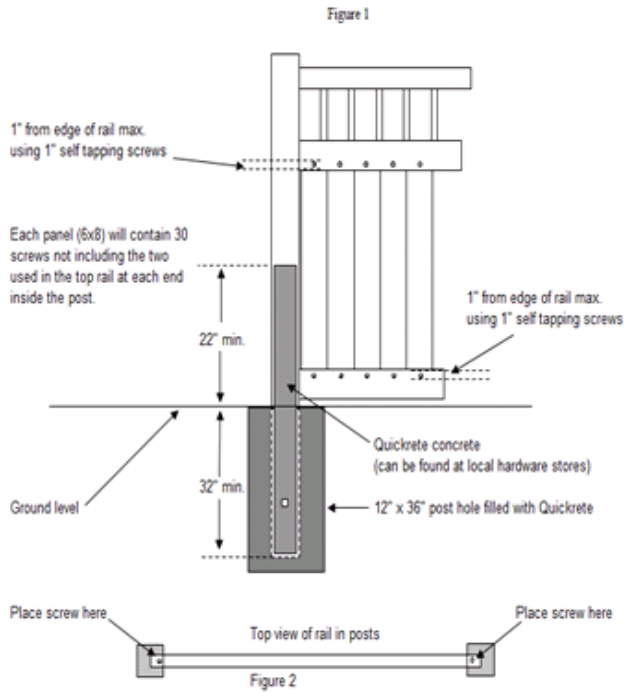
All of our vinyl privacy panels (up to 6' in height) have been tested and certified to achieve high wind loads. In order to meet the wind rating requirements, the panels must be installed as noted below. These steps are the same steps used for the certification and must be followed exactly the same as used in testing. We tested the full privacy panels as the lowest common denominator.

ALL PRIVACY PANELS

After the fence is installed, all posts are to be filled with "Quickrete" brand of concrete to at least 22" above the ground (inside the post) as shown in the following figure 1 drawings. Next, install the screws on the back side of the panel (the side you will not see) using #10 x 1" self-tapping stainless steel or galvanized pan head screws which can be purchased from your local hardware store. Be careful not to overtighten or strip the screws. Every picket will have one screw at the top rail and at the bottom rail on one side of the fence only. Every rail will have one screw installed on each end of the rail "Inside" the post as shown on the following drawings as Figure 2.

SELECT YOUR PANEL STYLE FROM THE FOLLOWING DRAWINGS FOR AN ILLUSTRATION OF THE SCREW PLACEMENT FOR THE HIGH WIND INSTALLATION.





* Purchaser has the sole responsibility to determine whether these products comply with applicable codes and is appropriate for the intended use. The purchaser and installer should review the intended use of the products with a licensed professional engineer to determine code compliance and intended use.