

**PEGASUS**  
LUXURY AT HAND™

For models: 273357



### Tools:

- Pipe tape
- Adjustable wrench
- Plumber's putty
- Groove joint plier
- Phillips screwdriver
- Hex wrench

### Safety Tips

- If soldering during faucet installation, the seats cartridges and washers will have to be removed before using flame. Otherwise, warranty will be void on these parts.
- Protect your eyes with safety glasses when cutting or soldering water supply line.
- Cover your drain to avoid losing parts.

### Things You May Need

All installations can vary depending on how your previous faucet was installed. Not all supplies for faucet installation are included; however they are available wherever plumbing supplies are sold. When choosing your installation supplies, make sure they are IAPMO and/or CSA approved products.

**Need help?**  
**For additional assistance or service call:**  
1 888 328-2383 USA 1 800 487-8372 CAN  
8 a.m. to 8 p.m. EST Monday-Friday  
9 a.m. to 5 p.m. EST Saturday & Sunday

### What you need to know

### Maintenance

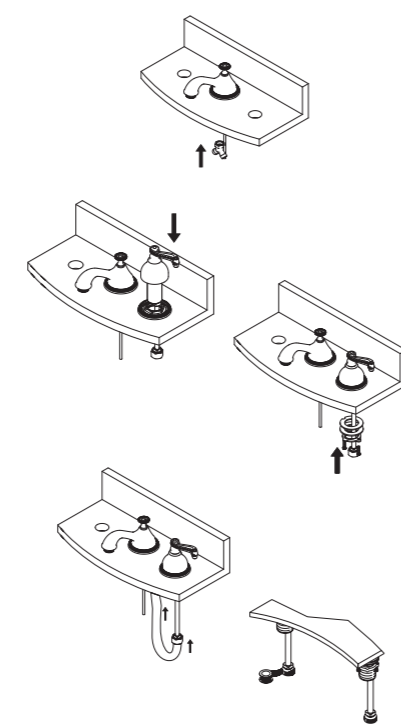
Your new bathroom faucet is designed for years of trouble-free performance.

Keep it looking new by cleaning it periodically with a soft cloth. Avoid abrasive cleaners, steel wool and harsh chemicals as these will dull the finish and void your warranty.

### Important points

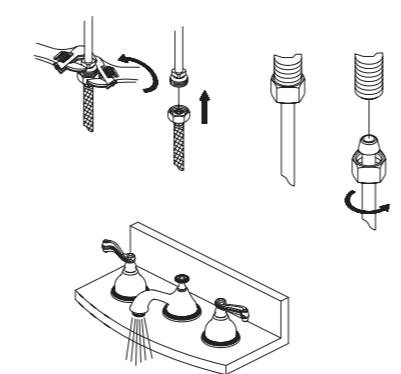
- Prior to beginning installation, turn off the cold and hot water lines and open the old faucet to release build-up pressure. When installing your new faucet, turn the connector nuts finger-tight, then use one wrench to anchor the fitting and a second wrench to tighten the nut one additional turn. Connections that are too tight will reduce the integrity of the system.
- Wrap all threaded connections with pipe tape available at your local hardware or plumbing supply store. Always wrap in a clockwise direction. The fittings should be installed by a State-licensed plumber.

### Preparation/Assembly

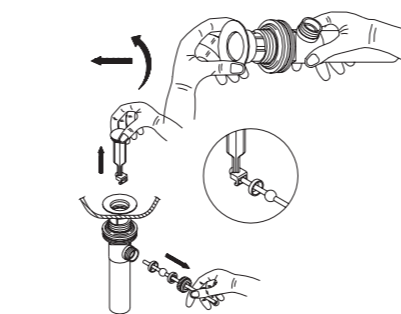


### Steps 1-3

### Installation



### Installation - Pop-Up drain

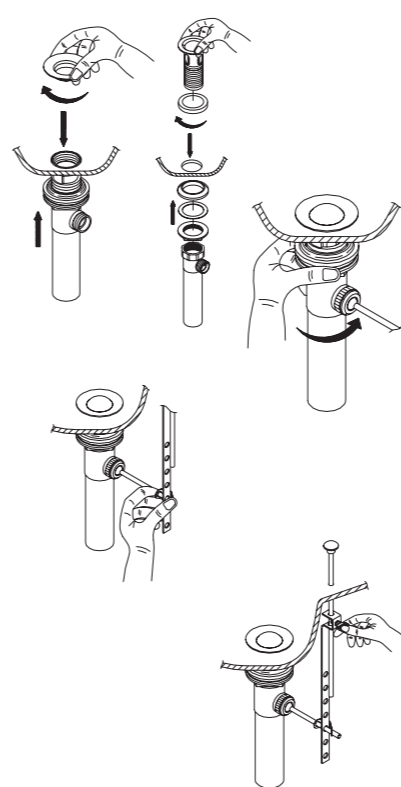


### Steps 4-7

- Shut off water supply. Remove old faucet, taking care to damage existing water lines. Clean sink area prior to new faucet installation. Remove gasket, washer, large hex nut, "Y" adaptor and small retainer nut from spout. Apply plumber's putty around bottom of spout. Place spout in centre hole of sink. Secure with rubber gasket, and metal washer, followed by large hex nut. Attach "Y" adaptor to end of spout shank until it stops. Screw small retainer nut on to end, tighten.
- Remove rubber gasket, washer and locknut from handle body. Place the handle body marked C through the hole to the right of spout. Position the base flange so that the flange aligns with the top thread of the handle body. Slide on rubber gasket and washer and tighten handle body into place with locknut. Repeat procedure on left side of spout with handle body marked H.
- Connect plastic water line from the hole on the bottom of handle body to the side of the faucet spout. Wrap Teflon tape only on the threaded male end of the water connector. Be careful not to twist or crimp the connector. (NOTE: Kinked tubing voids your warranty.) Repeat procedure with handle body marked H.

- Remove flange from pop up main body. Leave large black washer (not included with plastic pop ups) and nut on drain body.
- Unscrew the nut from the pop up body and take off the spring clip from the ball rod (please note: retain the white packing ring on the ball rod), and place the nut in the ball rod. Insert the ball rod into the side hole of drain, slide the nut on and tighten securely.

### Installation



### Steps 8-11

- Place a ring of putty around drain opening of sink. Insert threaded end of drain body up through drain hole and attach flange to body with ball rod pointing to rear of sink.
- Thread locknut from underside of sink until rubber washer seats securely inside opening of sink. Tighten locknut. Wipe excess putty. If model has plastic wing nut, tighten securely. If nut is brass, tighten with wrench.
- Place one end of spring clip on end of ball rod. Insert rod across and through hole in lift rod strap. Secure other end.
- Insert bottom of lift rod into hole at top of pop-up strap. Tighten with thumb screw.

### Installation

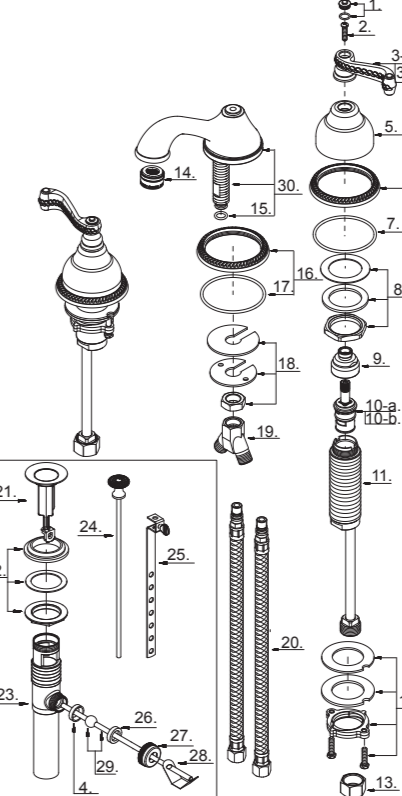
#### ADJUSTING LIFT ROD

Adjust lift rod function by adjusting location of thumb screw along the lift rod or by adjusting the hole in which ball rod goes through strap.

Be sure to leave enough space between lift rod knob and faucet spout when rod is down.

- |                                       |             |
|---------------------------------------|-------------|
| 1° Handle Cap                         | A662547     |
| 2° Screw (3/16" - 24 x 11/16" L)      | A008233     |
| 3-a° Metal Handle-Cold                | A552146C    |
| 3-b° Metal Handle-Hot                 | A552146H    |
| 4° Washer (Inner)                     | A200109     |
| 5° Base                               | A078009     |
| 6° Handle Trim Ring                   | A667031     |
| 7° O-Ring (Ø2-3/8" ID x Ø2-9/16" OD)  | A048061     |
| 8° Washer & Nut Set                   | A663678     |
| 9° Retainer Nut                       | A016026     |
| 10-a. Ceramic Disc Cartridge -Cold    | A507072N    |
| 10-b. Ceramic Disc Cartridge -Hot     | A507071N    |
| 11° Handle Valve Body                 | A066010N    |
| 12° Mounting Hardware                 | A603171     |
| 13° Coupling Nut                      | A009016     |
| 14° Aerator                           | A500548N-50 |
| 15° O-Ring (Ø3/8" ID x Ø1/2" OD)      | A004026N    |
| 16° Spout Trim Ring                   | A667031     |
| 17° O-Ring (Ø2-3/8" ID x Ø2-9/16" OD) | A048061     |
| 18° Mounting Hardware                 | A663054     |
| 19° "Y" Adaptor                       | A015004N    |
| 20° Supply Hose                       | A105093N    |
| 21° Pop-up Plunger Assembly           | A663121     |
| 22° Nut & Seal                        | A663122     |
| 23° Pop-up Body                       | A605222     |
| 24° Lift-Rod                          | A025050L    |
| 25° Lift-Rod Strap                    | A663521     |
| 26° Washer (Outer)                    | A200009     |
| 27° Ball Nut                          | A009063     |
| 28° Spring Clip                       | A120030     |
| 29° Ball Rod (8-1/2" L)               | A026005     |
| 30° Spout Assembly                    | A666176N    |

### Parts diagram



### Troubleshooting

#### PROBLEM

Leaks underneath handle.

#### CAUSE

Retainer nut has come loose or O-ring on cartridge is dirty or twisted.

#### ACTION

- Carefully remove the small chrome cap on top of faucet handle. Remove screw and faucet handle (Diagram A).
- Tighten the retainer nut by turning it clockwise (Diagram B). Move the handle to the "ON" position to check for leaks.
- If the leak does not stop, shut off the water supply. Remove the retainer nut by turning it counter-clockwise. Lift out the cartridge valve (Diagram C). Inspect the larger O-ring on the cartridge bonnet and the smaller O-ring on the cartridge stem. Remove any debris from the O-rings. If either O-ring is twisted, straighten it out. If either O-ring is damaged, replace it.
- Position the cartridge back to the faucet body (Diagram D). Make sure the wings on the two sides of the cartridge bonnet fit into the cuts on the two sides of the faucet body. Tightly screw the retainer nut onto the faucet body.
- Re-assemble the handle.

#### PROBLEM

Aerator leaks or has an improper water flow pattern.

#### CAUSE

Aerator is dirty or misfitted.

#### ACTION

- Unscrew the aerator by turning it clockwise (Diagram E). Inspect the black rubber packing and small parts. Clear away any debris. Re-assemble the aerator as shown.
- Replace the aerator.

#### PROBLEM

Water does not completely shut off.

#### CAUSE

Rubber valve seat is dirty, stuck or broken.

#### ACTION

- Shut off the cold water supply. If leakage stops, the problem is on the cold side. If leakage continues, turn off the hot water in order to determine which side is the problem.
- Remove the handle on the problem side. Loosen the retainer nut by turning it counter-clockwise (Diagram F). Lift out the cartridge assembly (Diagram G).
- Inspect the larger O-ring on the cartridge bonnet and the smaller O-ring on the cartridge stem. Remove any debris from the O-rings. If either O-ring is twisted, straighten it out. If either O-ring is damaged, replace it.
- Re-assemble the faucet as described above.
- Turn the water back on.

