

The cover features a light gray background with several overlapping, curved white and light gray bands that create a sense of motion and depth. The text is centered and uses a clean, sans-serif font.

Hisense

Dehumidifier Use & Care Guide

For questions about features, operation/performance, parts or service, call: 1-877-465-3567

TABLE OF CONTENTS

DEHUMIDIFIER SAFETY	3
INSTALLATION REQUIREMENTS	3
Electrical Requirements	3
Location Requirements	4
DEHUMIDIFIER USE	4
Setting the Controls	4
Draining the Dehumidifier	7
Normal Sounds	10
DEHUMIDIFIER CARE	10
Cleaning the Air Filter	11
Cleaning the Dehumidifier	11
TROUBLESHOOTING	12
ASSISTANCE OR SERVICE	13

DEHUMIDIFIER SAFETY

Your safety and safety of others are very important

We have provided many important safety messages in this manual and on your appliance. Always read and obey all safety messages.



This is the safety alert symbol.
This symbol alert you to potential hazards that can kill or hurt you and others.
All safety messages will follow the safety alert symbol and either the word "DANGER" or "WARNING".
These words mean:

⚠ DANGER

You can be killed or seriously injured if you don't immediately follow instructions.

⚠ WARNING

You can be killed or seriously injured if you don't follow instructions.

All safety messages will tell you what the potential hazards are, tell you how to reduce the chance of injury, and tell you what can happen if the instructions are not followed.

DISPOSING OF THE UNIT

- Before disposing of the remote control, it is necessary to remove the batteries and dispose of them in an environmentally responsible manner.
- When you need to dispose of the unit, consult with your local dealer or local recycling center for information on how to dispose of the unit in an environmentally responsible manner.
- Please recycle or dispose of the packaging material for product in an environmentally responsible manner.

IMPORTANT SAFETY INSTRUCTIONS

WARNING: To reduce the risk of fire, electrical shock, injury or sickness when using your dehumidifier, follow these basic precautions:

- Plug into a grounded 3-prong outlet.
- Do not use an extension cord.
- Do not remove ground prong.
- Unplug dehumidifier before servicing.
- Do not use an adapter.
- Do not drink water collected in the water bucket.

SAVE THESE INSTRUCTIONS

INSTALLATION REQUIREMENTS

Electrical Requirements

⚠ WARNING

Electrical Shock Hazard

Plug into a grounded 3-prong outlet.
Do not remove ground prong.
Do not use an adapter.
Do not use an extension cord.
Failure to follow these instructions can result in death, fire, or electrical shock.

Specific electrical requirements are listed chart below.
Follow the requirements for the type of plug on the power supply cord.

Power supply cord	Wiring requirements
-------------------	---------------------



- 115 v (103.5 min. to 126.5 max.)
- 15 A time-delay fuse or circuit breaker

Recommended Grounding Method

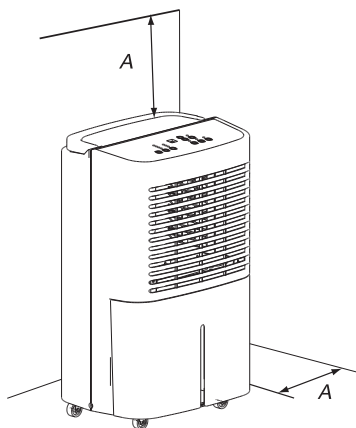
This dehumidifier must be grounded. This dehumidifier is equipped with a power supply cord having a 3-prong grounding plug. The cord must be plugged into a mating, grounding 3-prong outlet, grounded in accordance with all local codes and ordinances. If a mating outlet is not available, it is the customer's responsibility to have a properly grounded 3-prong outlet installed by a qualified electrical installer. It is the customer's responsibility:

- To contact a qualified electrical installer.
- To assure that the electrical installation is adequate and in conformance with Nation Electrical Code, ANSI/NFPA 70-last edition, and all local codes and ordinances.

Copies of the standards listed may be obtained from:
Nation Fire Protection Association
1 Battery march Park
Quincy, MA 02169-7471

Location Requirements

NOTE: Your model may differ from the one shown.



A. 12" to 18" (30.5 cm to 45.7 cm)

- Allow at least 12" to 18" (30.5 cm to 45.7 cm) of airspace on the side of the dehumidifier for models with side louvers and above the dehumidifier for models with top louvers.
- You will need a surface strong enough to support the dehumidifier when its bucket is full of water.
- You will need a surface level enough to keep the water from spilling when the bucket is full of water.
- Keep all outside doors, windows and other openings closed when you are operating the dehumidifier. Humid outdoor air will increase the dehumidifier workload.
- Install the dehumidifier in an area where the temperature will not fall below: 55°F (13°C) for Control Type 1, and 38°F (3°C) for Control Types 2 and 3. Lower temperatures will cause your performance to drop.
- Do not block the louvers on the front panel the side panel (on some models) or the top (on some models).

DEHUMIDIFIER USE

Setting the Controls

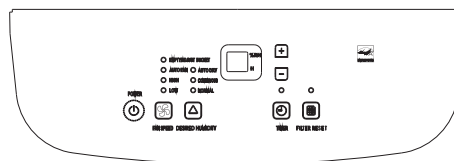
Starting/Stopping the Dehumidifier

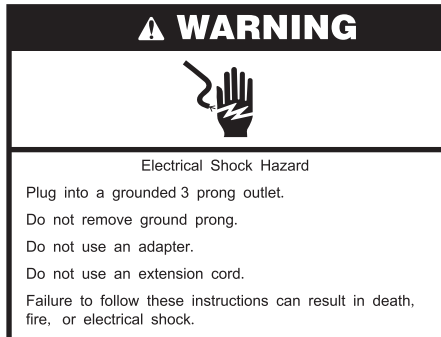
NOTES:

- Before turning on the dehumidifier, be sure that the bucket is empty and fits all the way into the dehumidifier.
- Each time you unplug the dehumidifier or power is interrupted, the control will return to your previous settings when power is restored.

NOTE:

Minimum operating temperature is 38°F (3°C).
Display humidity between 30%RH and 90%RH.
Adjust humidity between 30%RH and 80%RH.





1. Plug into a grounded 3 prong outlet.
2. Press POWER to turn on the dehumidifier.
3. Press FAN SPEED to choose the fan speed.
4. Press DESIRED HUMIDITY to choose the mode.
5. Press the plus or minus arrow button to choose the level of humidity.
6. Press POWER to turn off the dehumidifier.

NOTE: The dehumidifier will retain your last settings.

Empty/Adjust Bucket Light

If this light is on, the dehumidifier is not running. This light indicates that you need to check:

- If the bucket is full, empty and reinstall bucket.
- If the bucket is not in position, remove the bucket and reinstall. Make sure the bucket fits all the way into the dehumidifier and the light is off, or dehumidifier and the heat modes will not run.

Fan Speed

1. Press FAN to select fan speed.
2. Choose Low, High or Auto.
 - Low—Will reach the desired humidity setting slower with lower sound level.
 - High—Will reach the desired humidity setting faster.
 - Auto—Will provide the maximum humidity control by automatically

adjusting the fan speed.

Desired Humidity

1. Press DESIRED HUMIDITY to select the desired humidity setting.
2. Choose Auto Dry, Continuous or Normal.
 - Auto Dry-Will operate the dehumidifier only in the dry mode. Auto Fan Speed is set automatically. The Desired Humidity is set to 50% automatically.
 - Continuous -Will operate the dehumidifier continuously. The Fan Speed can be adjusted. The Desired Humidity cannot be adjusted. The LED display will show the room humidity level.
 - Normal- Will operate the dehumidifier at the selected fan speed and desired humidity. If the humidity levels of the room is higher than the desired humidity setting, the compressor will turn on. If the humidity level of the room is lower than the desired humidity setting, the compressor will turn off.

NOTE:

The deicer will turn off the compressor if a low temperature condition exists. Pressing the Desired Humidity button or the plus or minus arrow button will not increase or decrease the amount of moisture removed. When the deicer senses the correct operating temperature, the compressor will cycle back on.

Digital Display

Display shows relative humidity, temperature and time (depending on setting).

- When the dehumidifier operates in Desired Humidity modes, the display shows the relative humidity of the room.
- When the dehumidifier operates in Heat modes, the display shows the room temperature.
- When the timer is selected, the display shows the time the dehumidifier will turn on or turn off, depended on setting.
NOTE: The humidity displayed is only for reference.

Timer

To set Timer for a 30-minute to 24-hour delay before the dehumidifier is turned off (the dehumidifier must be On):

1. Press TIMER. Timer indicator light on the control panel will flash.
2. Press the plus or minus arrow button to change the delay time from 30 minutes to 24 hours.
3. After 5 seconds, the Timer indicator light will remain on.

To set Timer to turn on the dehumidifier, keeping previous setting:

1. Turn off the dehumidifier.
2. Press TIMER. Timer indicator light will flash.
3. Press the plus or minus arrow button to change the delay time from 30 minutes to 24 hours.
4. After 5 seconds, the Timer indicator light will remain on.

To set Timer for a 30-minute to 24-hour delay before the Heat mode is turned off (Heat mode must be On):

1. Turn off the dehumidifier.
2. Press TIMER. Timer indicator light will flash.
3. Press the plus or minus arrow button to change the delay time from 30 minutes to 24 hours.

4. After 5 seconds, the Timer indicator light will remain on.

Filter Monitor

1. When Filter Monitor indicator light is lit, remove, clean and replace air filter. See "Cleaning the Air Filter".
2. Press FILTER MONITOR after cleaning and replacing the air filter. This resets the filter monitor.

NOTE: When the light is on, it will remain on for 180 hours or until you press FILTER MONITOR. After 180 hours, it will turn off.

Heat

NOTE: The compressor does not operate in the Heat mode.

1. Press HEAT to select the Heat mode.
2. Press FAN SPEED to select the fan speed. See "FAN SPEED".
3. Press the plus or minus arrow button to select the temperature.
4. To turn off the Heat mode, press DESIRED HUMIDITY or POWER.

NOTES:

- If the room temperature is above 86°F (30°C), the Heat mode will turn off. The fan keeps running.
- If the room temperature is 2°F (1°C) higher than the selected temperature, the Heat mode will turn off.
- If the room temperature is 2°F (1°C) lower than the selected temperature, the Heat mode will turn on.

Change from °F to °C

Press both the plus and minus arrow button at the same time to change from °F to °C.

Humidity Level

Press the the plus or minus arrow button to choose the amount of moisture to remove.

Draining the Dehumidifier

⚠ WARNING

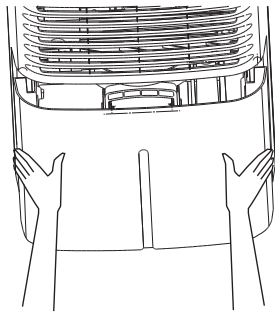
Sickness Hazard

Do not drink water collected in water bucket.
Doing so can result in sickness.

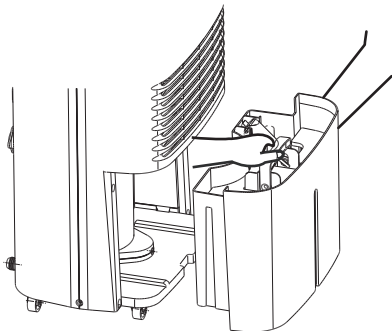
Option 1 Remove Bucket

If a floor drain is not available, or you do not plan to run your dehumidifier continuously, you may want to simply empty the bucket.

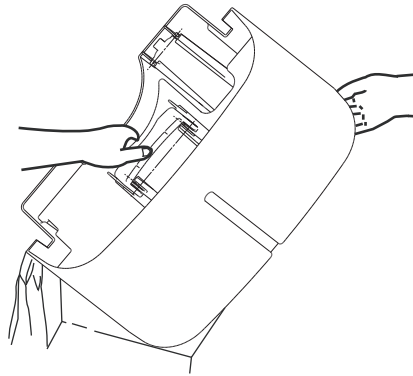
1. Grasp the bucket sides to slide out bucket.



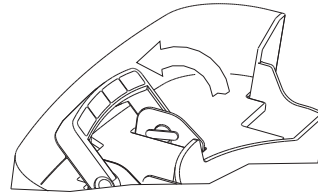
2. Grasp the handle and bottom of the bucket to lift bucket.



3. Pour water through opening into a sink or tub.



4. Replace the handle, and reinstall bucket.



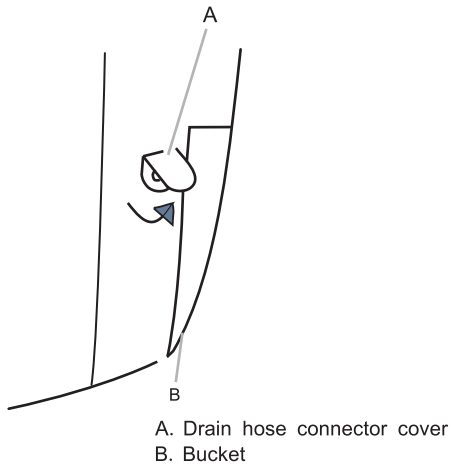
IMPORTANT:

If the Empty/Adjust Bucket light comes on, the dehumidifier will not operate. Empty or adjust bucket.

Option 2 Connect drain hose (For DH-25K1SJE only)

If you plan to run your dehumidifier continuously, you may want to attach a garden hose to the drain hose connector.

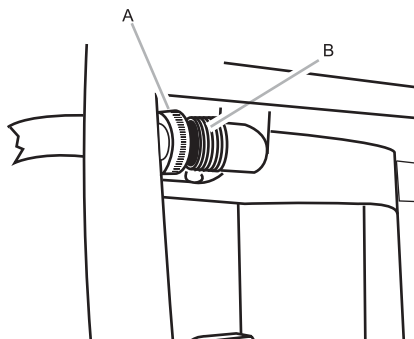
1. Turn up the connector cover following the arrow.



3. Remove bucket.

4. Attach a garden hose to drain hose connector on the inside of the dehumidifier. Hand tighten.

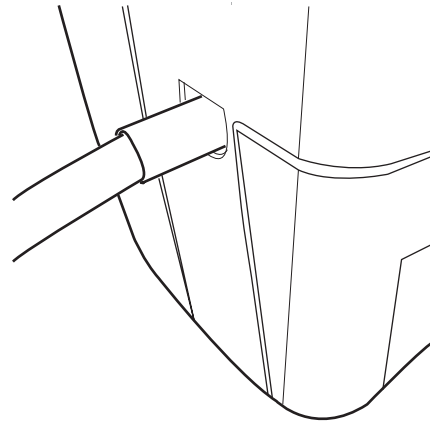
Note: The hose is sold separately.



A. Garden hose
B. Drain hose connector

5. Place the other end of garden hose into a floor drain. Check to see that the hose lies flat and is in the drain.

6. Reinstall bucket.



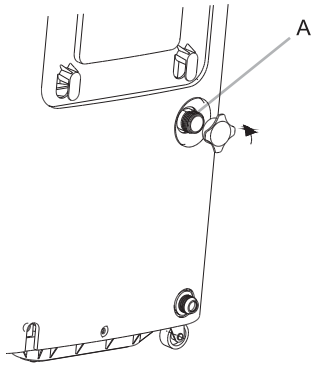
NOTES:

- To use the bucket without the garden hose, remove the garden hose. Then reinstall bucket.
- The bucket must be installed and properly aligned for the dehumidifier to operate with or without a garden hose connected.

Option 2 Connect Drain Hose (For DH-50K1SJE and DH-70K1SJE only)

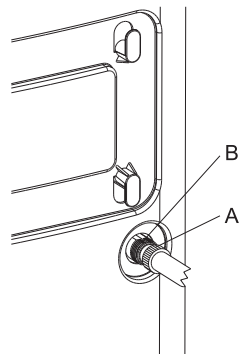
If you plan to run your dehumidifier continuously, you may want to attach a garden hose to the drain hose connector.

1. Screws off the connector cover counter clock wise.



A. Drain hose connector cover

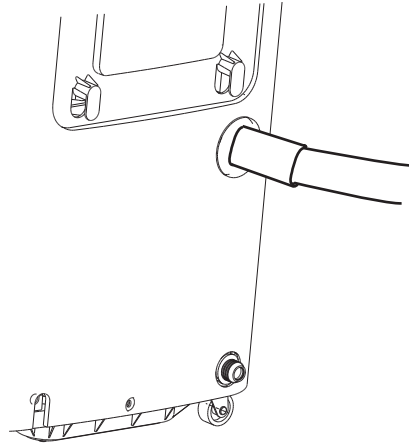
2. Attach a garden hose to drain hose connector on the inside of the dehumidifier. Hand tighten.
 Note: The hose is sold separately.



A. Garden hose

B. Drain hose connector

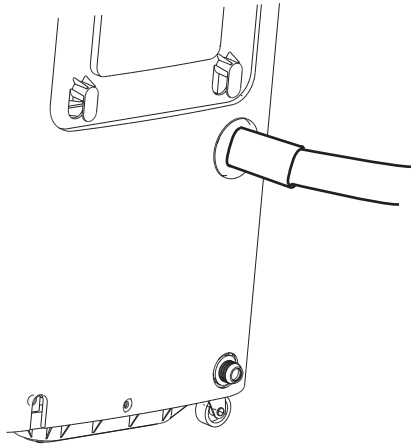
3. Place the other end of garden hose into a floor drain. Check to see that the hose lies flat and is in the drain.



NOTES:

- To use the bucket without the garden hose, remove the garden hose. Then reinstall bucket.
- The bucket must be installed and properly aligned for the dehumidifier to operate with or without a garden hose connected.

3. Place the other end of garden hose into a floor drain. Check to see that the hose lies flat and is in the drain.



NOTES:

- To use the bucket without the garden hose, remove the garden hose. Then reinstall bucket.
- The bucket must be installed and properly aligned for the dehumidifier to operate with or without a garden hose connected.

Normal Sounds

When your dehumidifier is operating normally, you may hear sounds such as:

- Compressor sounds, which may be loud. This is normal.
- Clicking sounds when the dehumidifier or compressor turns off and on, and when the Automatic Shut off Switch is working.
- Air movement from the fan.

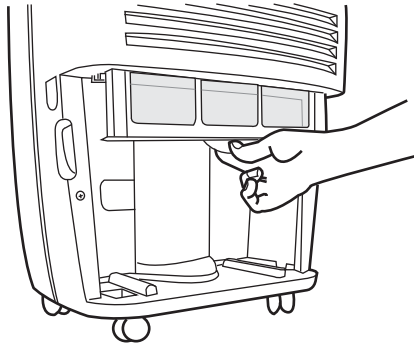
DEHUMIDIFIER CARE

Your new dehumidifier is designed to give you many years of dependable service. This section tells you how to clean and care for your dehumidifier. Call your local authorized dealer for an annual cleaning of the dehumidifier. Remember...the cost of this service call is your responsibility.

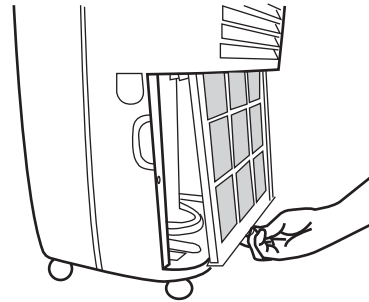
Cleaning the Air Filter

The air filter is removable for easy cleaning. A clean filter helps remove dust, lint, and other particles from the air and is important for best operating efficiency. Check the filter every 2 weeks to see whether it needs cleaning.

1. Turn off the dehumidifier.
2. Remove the bucket.
3. Pull the air filter down from below the front louvers.



4. Pull the bottom edge of the air filter away from the dehumidifier to clear the bottom of the dehumidifier.



5. Use a vacuum cleaner to clean air filter. If air filter is very dirty, wash it in warm water with a mild detergent. Do not wash air filter in the dishwasher or use any chemical cleaners. Air dry filter completely before replacing to ensure maximum efficiency.
6. Slide the air filter up into the dehumidifier.
7. Reinstall the bucket.
8. Turn on the dehumidifier.

Cleaning the Dehumidifier

Exterior

NOTE: Have an authorized service technician clean and service the interior coils of your product annually.

1. Turn off the dehumidifier.
2. Dust the front grille and side panels with a soft brush or the dusting attachment of your vacuum cleaner.

Water Bucket

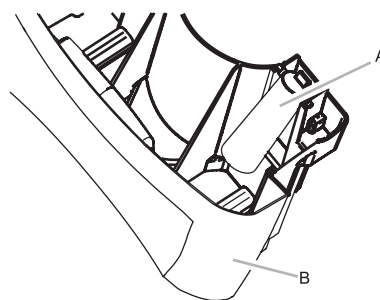
Every few weeks, rinse the inside of the water bucket with a mild detergent to avoid growth of mold, mildew and bacteria.

Water Level Float

The dehumidifier has an Empty/Adjust Bucket

light and a water level float. The bucket must be properly aligned for the water level float and Empty/Adjust Bucket light to work.

NOTE: Be sure the float is snapped in place.



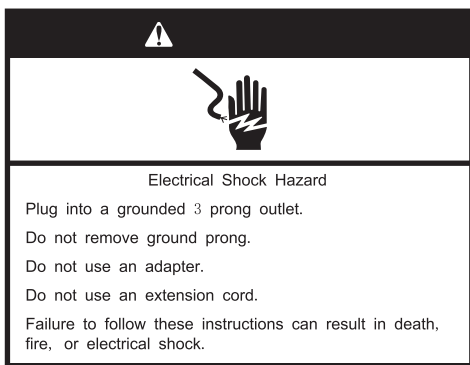
A. Water level float
B. Bucket

TROUBLESHOOTING

Before calling for service, try the suggestions below to see whether you can solve your problem without outside help.

Dehumidifier will not run

- Is the dehumidifier turned on?
Turn on the dehumidifier.



- **Is the power cord plugged into a grounded 3 prong outlet?** Plug into a grounded 3 prong outlet. See Electrical Requirements.
- **Has a household fuse blown, or has a circuit breaker tripped?** Replace the fuse or reset the circuit breaker. If the problem continues, call an electrician. See "Electrical Requirements."
- **Is the bucket installed properly?**
Reinstall the bucket so that it fits all the way into the dehumidifier.
- **Does the bucket need to be emptied?**
Empty the bucket.
- **Is the water level float in place?** Remove the bucket. Make sure the float is snapped in place. Reinstall the bucket.

Ice forms on coils

- All models have an automatic deicer that will shut off the compressor and allow the fan to run. This reduces the ice buildup on the coils. The compressor will cycle back on when the deicer senses the correct operating temperature.

Dehumidifier runs but does not dehumidify

- **All models have an automatic deicer that will shut off the compressor and allow the fan to run.** When the deicer senses the correct operating temperature, the compressor will cycle back on.
- Is the control set to Continuous Run?
If you have selected Continuous Run, the dehumidifier will run continuously. If the humidity level is low, little or no water may be collected.
- **The filter is dirty or obstructed by debris.**
Clean the filter.

Air coming from dehumidifier is warm

- **Dehumidifier will put out warm air under normal operating conditions.**

Dehumidifier displays trouble code

- **E1, E2 for type 2. E1, E2, E3 for type 3.**
If the dehumidifier displays trouble code, the unit will still work. But please contact the service.

ASSISTANCE OR SERVICE

Hisense	For Customers	
	Owner' Name	
	Address	
	Tel.No.	(home) (off)
	Email	
	Product Style	
	Invoice No.	
	Purchase Date	
	Purchase Store	

	For Installation Personnel	
	Model No.	
	Installation Date	
	Tel.No.	
Signature Of Installation Personnel	Signature Of Customers	
Air-conditioner Warranty Card		

Keep this book and the sales slip together for future reference.

Version No.1414512-02

The Hisense logo is rendered in a bold, italicized, sans-serif typeface. The letters are black and stand out against the light gray background of the page. The background itself features a series of overlapping, curved, light gray bands that create a sense of motion and depth, resembling a stylized globe or a modern architectural element.

Hisense

Deshumidificador Manual de uso y cuidado

Si tiene preguntas respecto a las características, funcionamiento, rendimiento, partes o servicio técnico, llame al: 1-877-465-3567

TABLA DE CONTENIDO

SEGURIDAD DEL DEHUMIDIFICADOR	3
REQUERIMIENTOS DE INSTALACIÓN	3
Requerimientos eléctricos	3
Requerimientos de ubicación	4
USO DEL DEHUMIDIFICADOR	4
Configuración de los controles	4
Drenaje del dehumidificador	7
Sonidos normales	10
CUIDADO DEL DEHUMIDIFICADOR	10
Limpieza del filtro de aire	10
Limpieza del dehumidificador	11
SOLUCIÓN DE PROBLEMAS	12
ASISTENCIA O SERVICIO	13

SEGURIDAD DEL DEHUMIDIFICADOR

Su seguridad y la seguridad de los otros es muy importante

Hemos proporcionado muchos mensajes de seguridad importantes en este manual y en el dispositivo. Siempre lea y respete todos los mensajes de seguridad.



Este es el símbolo de alerta de seguridad.
Este símbolo alerta acerca de peligros potenciales que puedan matar o dañar a otras personas.
Todos los mensajes de seguridad siguen al símbolo de alerta de seguridad y a las palabras "PELIGRO" o "ADVERTENCIA".
Estas palabras significan:

PELIGRO

Puede resultar muerto o dañado seriamente si no respeta las instrucciones inmediatamente

ADVERTENCIA

Puede resultar muerto o dañado seriamente si no respeta las instrucciones

Todos los mensajes de seguridad le indicarán cuál es el peligro potencial, la forma de reducir la posibilidad de lesiones y le informarán lo que puede suceder si no se siguen las instrucciones.

DESECHO DE LA UNIDAD

- Antes de desechar el control remoto, es necesario retirar las pilas y desecharlas de una manera ambientalmente responsable
- Cuando necesite desechar la unidad, consulte con el distribuidor local o el centro de reciclado local para obtener información sobre cómo desechar la unidad de una manera ambientalmente responsable.
- Recicle o deseche el material de embalaje del producto de una manera ambientalmente responsable.

INSTRUCCIONES DE SEGURIDAD IMPORTANTE

ADVERTENCIA: Para reducir el riesgo de incendio, descarga eléctrica, lesiones o enfermedades cuando utilice el deshumidificador, siga estas precauciones básicas:

- Conéctelo a un tomacorrientes de 3 patas con descarga a tierra.
- No retire la conexión a tierra.
- No utilice un adaptador.
- No utilice un alargador.
- Desconecte el deshumidificador antes de brindar servicio.
- No beba agua recolectada en el balde de agua.

GUARDE ESTAS INSTRUCCIONES

REQUERIMIENTOS DE INSTALACIÓN

Requerimientos eléctricos

ADVERTENCIA



Peligro de descarga eléctrica

Conecte en un tomacorrientes de tres patas conectado a tierra.
No retire el conector a tierra.
No utilice un adaptador.
No utilice un alargador.
Si no sigue estas instrucciones puede provocar la muerte, incendios o descargas eléctricas.

Los requerimientos eléctricos específicos se enumeran en el gráfico a continuación. Siga los requerimientos para el tipo de enchufe del cable de suministro eléctrico.

Cable de suministro eléctrico **Requerimientos de cableado**



- 115 v (103,5 mín. a 126,5 máx.)
- Fusible con demora de tiempo o disyuntor de 15 A

Método de conexión a tierra recomendado

Este deshumidificador debe conectarse a tierra. Este deshumidificador está equipado con un cable de suministro eléctrico que posee un conector de 3 patas de conexión a tierra. El cable debe conectarse en un tomacorrientes coincidente de tres patas con conexión a tierra, según los códigos y ordenanzas locales. Si no se dispone de un tomacorrientes coincidente, es responsabilidad del cliente hacer instalar un con tomacorrientes de tres patas conectado a tierra por un instalador eléctrico calificado.

Es responsabilidad del cliente:

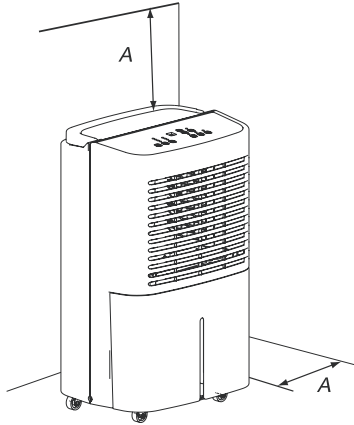
- Comunicarse con un instalador eléctrico calificado
- Garantizar que la instalación eléctrica sea adecuada según el Código eléctrico nacional, ANSI, NPFA 70, última edición, y todos los códigos y ordenanzas locales.

Pueden obtenerse copias de los estándares en:

Nation Fire Protection Association
1 Battery march Park
Quincy, MA 02169-7471

Requerimientos de ubicación

NOTA: Su modelo puede diferir del que se muestra en la figura.



A. 12" a 18" (30,5 a 45,7 cm)

- Permita al menos 12 a 18 pulgadas (30,5 a 45,7 cm) de espacio de aéreo en el lado del deshumidificador para modelos con listones laterales y por encima del deshumidificador para modelos con listones superiores.
- Necesitará una superficie lo suficientemente robusta como para soportar al deshumidificador cuando el balde esté lleno de agua.
- Necesitará un nivel de superficie lo suficientemente robusto como para evitar que el agua se derrame cuando el balde esté lleno de agua.
- Mantenga todas las puertas exteriores, ventanas u otras aperturas cerradas cuando esté funcionando el deshumidificador. El aire húmedo exterior aumentará la carga de trabajo del deshumidificador.
- Instale el deshumidificador en un área en donde la temperatura no sea inferior a 55°F (13°C) para Tipo de control 1 y 38°F (3°C) para Tipos de control 2 y 3. Las temperaturas más bajas provocarán la caída del rendimiento.
- No bloquee los listones del panel frontal, del panel lateral (en algunos modelos) o del panel superior (en algunos modelos).

USO DEL DEHUMIDIFICADOR

Configuración de los controles

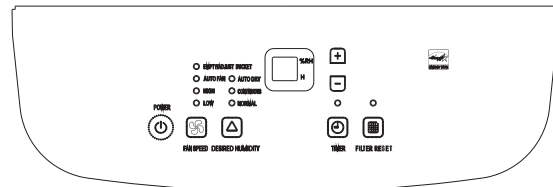
Iniciar/Detener el deshumidificador

NOTES:

- Antes de encender el deshumidificador, asegúrese de que el balde esté vacío y que encaje totalmente en el deshumidificador.
- Cada vez que desenchufe el deshumidificador o que se interrumpa la alimentación, el control volverá a la configuración anterior cuando se restablezca la alimentación.

NOTA:

La temperatura de funcionamiento mínima es 38°F (3°C).
Exhiba la humedad entre 30%RH y 90%RH.
Ajuste la humedad entre 30%RH y 80%RH.



⚠ ADVERTENCIA



Peligro de descarga eléctrica

Conecte a un tomacorrientes de 3 patas conectado a tierra.
No retire el conector a tierra.
No utilice un adaptador.
No utilice un alargador.
Si no sigue estas instrucciones puede provocar la muerte, incendios o descargas eléctricas.

1. Conecte un tomacorriente de 3 patas conectado a tierra.
2. Presione POWER (ENCENDIDO) para encender el dehumidificador.
3. Presione FAN SPEED (VELOCIDAD DEL VENTILADOR) para seleccionar la velocidad del ventilador.
4. Presiones DESIRED HUMIDITY (HUMEDAD DESEADA) para elegir el modo.
5. Presione el botón de flecha más o menos para seleccionar el nivel de humedad.
6. Presione POWER (ENCENDIDO) para apagar el dehumidificador.
NOTA: El dehumidificador volverá a la última configuración.

Vacíe/Ajuste la luz del balde

Si esta luz está encendida, el dehumidificador no está funcionando. Esta luz indica que debe verificar:

- Si el balde está lleno, vacíe y vuelva a instalar el balde.
- Si el balde no está en posición, retire el balde y vuelva a instalarlo. Asegúrese de que el balde encaje totalmente en el dehumidificador y de que la luz esté apagada, o el dehumidificador y los modos de calor no funcionarán

Velocidad del ventilador

1. Presione FAN (Ventilador) para seleccionar la velocidad del ventilador.
 2. Seleccione Baja, Alta o Automática
- Baja: alcanzará el valor de humedad deseada con menor nivel de sonido
 - Alta: alcanzará el valor de humedad deseada más rápidamente.
 - Automática: ofrecerá el máximo control de humedad automáticamente ajustando la velocidad del ventilador

Humedad deseada

1. Presione DESIRED HUMIDITY (HUMEDAD DESEADA) para seleccionar el valor de humedad deseada.
 2. Seleccione Secado automático, Continuo o Normal.
- Secado automático: el dehumidificador funcionará solo en modo seco. La velocidad automática del ventilador se establece automáticamente. La Humedad deseada se establece en 50% automáticamente.
 - Continuo: el dehumidificador funcionará continuamente. Puede ajustar la velocidad del ventilador. La humedad deseada no puede ajustarse. La pantalla LED mostrará el nivel de humedad de la habitación.
 - Normal: el dehumidificador funcionará a la velocidad del ventilador seleccionada y a la humedad deseada. Si los niveles de humedad de la habitación superan el valor de humedad deseada, se encenderá el compresor. Si el nivel de humedad de la habitación es menor que el valor de humedad deseada, se apagará el compresor.

NOTA:

El descongelante apagará el compresor si existe una condición de baja temperatura. Si presiona el botón Desired Humidity o el botón de flecha más o menos no aumentará ni disminuirá la cantidad de humedad eliminada. Cuando el descongelante aprecie la temperatura de funcionamiento correcta, el compresor volverá a funcionar.

Pantalla digital

La pantalla muestra la humedad relativa, la temperatura y la hora (según el ajuste).

- Cuando el dehumidificador funciona en los modos de Humedad deseada, la pantalla muestra la humedad relativa de la habitación.
- Cuando el dehumidificador funciona en modos de calor, la pantalla muestra la temperatura de la habitación.
- Cuando se selecciona el temporizador, la pantalla muestra el tiempo en que el dehumidificador se encenderá o apagará, según el ajuste.
NOTA: la humedad mostrada solo es de referencia. Para obtener una humedad precisa, consulte un higrómetro.

Temporizador

Para establecer el Temporizador para una demora de 30 minutos a 24 horas antes que se apague el dehumidificador (el dehumidificador debe estar encendido):

1. Presione TIMER (Temporizador). La luz indicadora del temporizador en el panel de control parpadeará.
2. Presione el botón de flecha más o menos para cambiar el tiempo de demora de 30 minutos a 24 horas.
3. Después de 5 segundos, la luz indicadora del Temporizador permanecerá encendida.

Para establecer el temporizador para que encienda el dehumidificador manteniendo los valores anteriores.

1. Apague el dehumidificador.
2. Presione TIMER (Temporizador). La luz indicadora del temporizador en el panel de control parpadeará.
3. Después de 5 segundos, la luz indicadora del Temporizador permanecerá encendida.
4. Después de 5 segundos, la luz indicadora del Temporizador permanecerá encendida.

Para establecer el Temporizador para una demora de 30 minutos a 24 horas antes que se apague el modo de Calor (debe estar encendido el modo de calor):

1. Apague el dehumidificador.
2. Presione TIMER (Temporizador). La luz indicadora del temporizador en el panel de control parpadeará.
3. Después de 5 segundos, la luz indicadora del Temporizador permanecerá encendida.
4. Después de 5 segundos, la luz indicadora del Temporizador permanecerá encendida.

Monitor de filtro

1. Cuando está encendida la luz del indicador de filtro, retire, limpie y reemplace el filtro de aire. Consulte "Limpieza del filtro de aire".
2. Presione FILTER MONITOR (Monitor de filtro) después de limpiar y reemplazar el filtro de aire. Esto restablece el monitor de filtro.



NOTA: cuando la luz está encendida, permanecerá encendida durante 180 horas o hasta que presione FILTER MONITOR. Después de 180 horas, se apagará automáticamente.

Calor (Solo para DH-50KDSJE)

NOTA: El compresor no funciona en modo Calor.

1. Presione HEAT (Calor) para seleccionar el modo Calor.
2. Presione FAN SPEED (VELOCIDAD DEL VENTILADOR) para seleccionar la velocidad del ventilador. Consulte "VELOCIDAD DEL VENTILADOR".
3. Presione el botón de flecha más o menos para seleccionar la temperatura.
4. Para apagar el modo Calor, presione DESIRED HUMIDITY (HUMEDAD DESEADA) o POWER (ENCENDIDO).

NOTAS:

- Si la temperatura de la habitación supera los 86°F (30°C), el modo Calor se apagará. El ventilador seguirá funcionando.
- Si la temperatura de la habitación es 2°F (1°C) mayor que la temperatura seleccionada, se encenderá el modo Calor.
- Si la temperatura de la habitación es 21°F (1°C) menor que la temperatura seleccionada, se apagará el modo Calor.

Nivel de humedad

Presione el botón de flecha más o menos para seleccionar la cantidad de humedad a eliminar.

Drenaje del dehumidificador

⚠ ADVERTENCIA

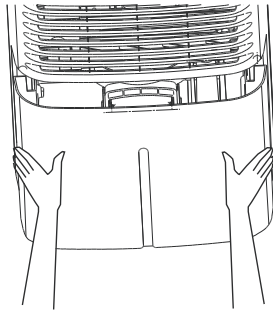
Riesgo de enfermedad

No beba el agua recolectada en el balde de agua.
Si lo hace puede provocar enfermedades.

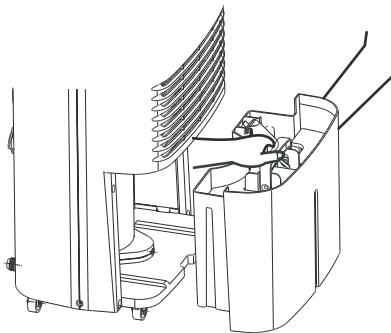
Opción 1 Retirar el balde

Si no dispone de un drenaje en el suelo, o no planea hacer funcionar el dehumidificador continuamente, quizá solo desee vaciar el balde.

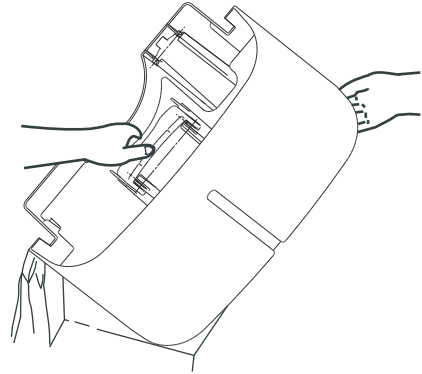
1. Tome el balde de los lados para deslizarlo.



2. Grasp the handle and bottom of the bucket to lift bucket.



3. Rocíe el agua a través de la apertura en un sumidero o tina.



4. Reemplace la manija y vuelva a instalar el balde.



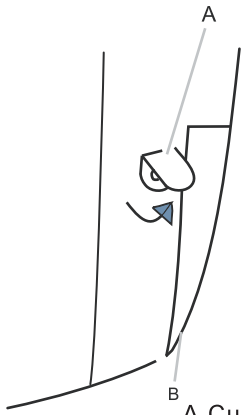
IMPORTANTE:

Si se enciende la luz Vaciar/Ajustar balde, el dehumidificador no funcionará. Vacíe o ajuste el balde.

Opción 2 —Conecte la manguera de drenaje (Solo para DH-25K1HJE)

Si planea hacer funcionar el dehumidificador continuamente, puede conectar una manguera de jardín al conector de la manguera de drenaje.

1. Gire la cubierta del conector hacia arriba siguiendo la flecha.

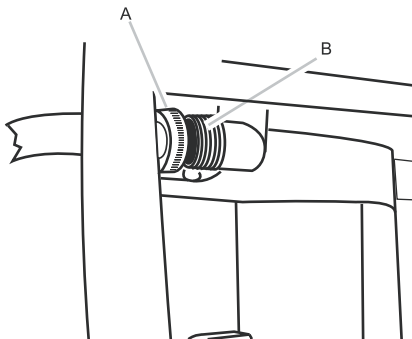


A. Cubierta del conector de la manguera de drenaje
B. Balde

2 Retire el balde.

3 Conecte una manguera de jardín al conector de la manguera de drenaje en la parte interior del deshumidificador. Ajuste a mano.

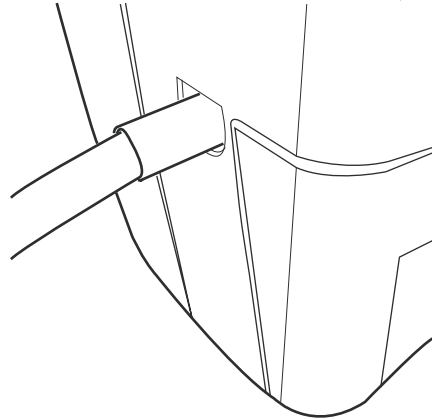
NOTA: La manguera se vende por separado.



A. Manguera de jardín
B. Conector de la manguera de drenaje

4. Coloque el otro extremo de la manguera de drenaje en el drenaje del suelo. Verifique que la manguera esté plana y esté en el drenaje.

5. Vuelva a instalar el balde.



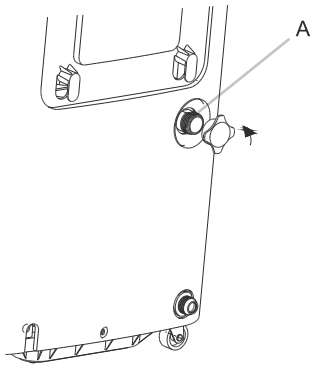
NOTAS:

- Para utilizar el balde sin la manguera de jardín, retire a manguera del jardín. Luego, vuelva a instalar el balde.
- El balde debe estar instalado y adecuadamente alineado para que el deshumidificador con o sin una manguera de jardín conectada.

Opción 2 –Conectar la manguera de drenaje (Solo para DH-50K1SJE, DH-70K1SJE)

Si planea hacer funcionar el deshumidificador continuamente, es posible que desee conectar una manguera de jardín al conector de la manguera de drenaje.

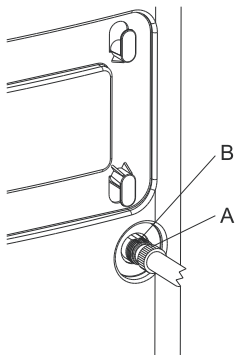
1. Desenrosque la cubierta del conector hacia la izquierda.



A. Cubierta del conector de la manguera de drenaje

2. Conecte una manguera de jardín al conector de la manguera de drenaje en la parte interior del dehumidificador. Ajuste a mano.

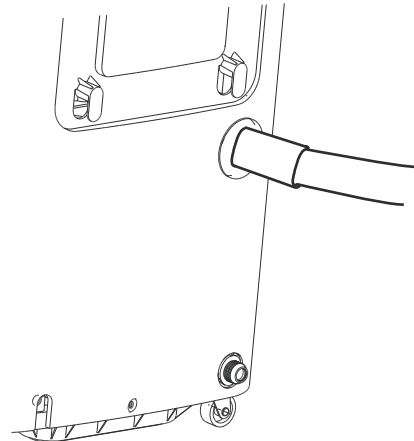
NOTA: La manguera se vende por separado.



A. Manguera de jardín

B. Conector de la manguera de drenaje

3. Coloque el otro extremo de la manguera de jardín en el drenaje del suelo. Verifique que la manguera esté plana y esté en el drenaje.



NOTAS:

- Para utilizar el balde sin la manguera de jardín, retire a manguera de jardín. Luego, vuelva a instalar el balde.
- El balde debe estar instalado y alineado correctamente para que el dehumidificador funcione con o sin la manguera de jardín conectada.

Sonidos normales

Cuando el dehumidificador funciona normalmente, es posible que escuche sonidos como:

- Sonidos del compresor, que pueden ser fuertes. Esto es normal.

- Sonidos de clics cuando el dehumidificador o el compresor se encienden o apagan, y cuando está funcionando el Interruptor de apagado automático.
- Movimiento de aire del ventilador.

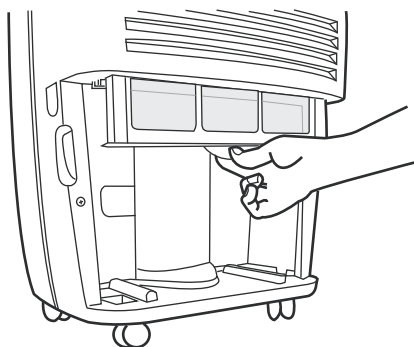
CUIDADO DEL DEHUMIDIFICADOR

El nuevo dehumidificador está diseñado para ofrecerle muchos años de servicio dependiente. Esta sección informa la manera de limpiar y cuidar el dehumidificador. Llame al distribuidor autorizado local para una limpieza anual del dehumidificador. Recuerde que el costo de esta llamada de servicio es de su responsabilidad.

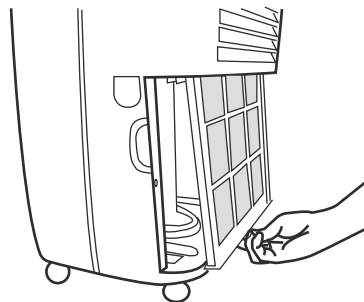
Limpeza del filtro de aire

El filtro de aire es removible para lograr una limpieza sencilla. Un filtro limpio ayuda a eliminar el polvo, las pelusas y otras partículas del aire y es importante para una mejor eficiencia operativa. Verifique el filtro cada 2 semanas cada vez que necesite limpieza.

1. Encienda el dehumidificador.
2. Retire el balde.
3. Tire del filtro de aire hacia abajo desde los listones frontales.



4. Tire del borde inferior del filtro de aire del dehumidificador para limpiar la parte inferior del dehumidificador.



5. Utilice una aspiradora para limpiar el filtro de aire. Si el filtro de aire está demasiado sucio, lávelo con agua caliente con detergente suave. No lave el filtro de aire en el lavamanos ni utilice limpiadores químicos. Seque el filtro con aire completamente antes de reemplazar para garantizar una eficiencia máxima.
6. Deslice el filtro de aire hacia arriba en el dehumidificador.
7. Vuelva a instalar el balde.
8. Encienda el dehumidificador.

Limpeza del dehumidificador

Exterior

NOTA: Haga que un técnico de servicio autorizado limpie y realice el servicio de las bobinas interiores del producto anualmente.

1. Encienda el dehumidificador.
2. Rocíe la rejilla frontal y los paneles laterales con un cepillo suave o el conector de polvo de la aspiradora.

Balde de agua

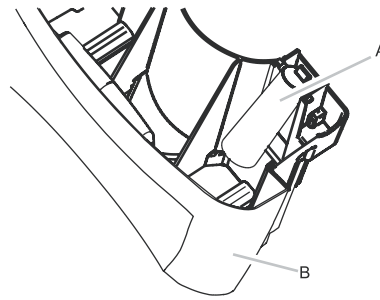
En el transcurso de unas pocas semanas, enjuague el interior del balde de agua con un detergente suave para evitar la generación de moho, hongos y bacterias.

Flotante de nivel de agua

El dehumidificador posee una luz de Vaciar/Ajustar balde

y un flotante de nivel de agua. El balde debe estar correctamente alineado para que funcionen el flotante del nivel de agua y la luz de Vaciar/Ajustar el balde.

NOTA: Asegúrese de que el flotante está colocado en su lugar.



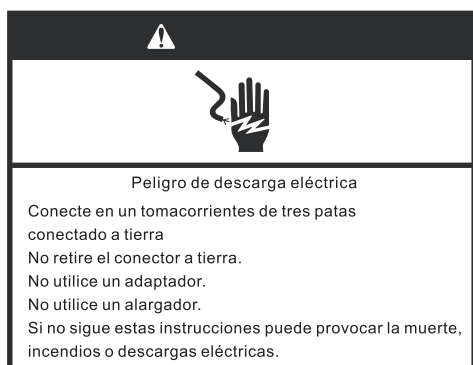
A. Water level float
B. Bucket

SOLUCIÓN DE PROBLEMAS

Antes de llamar al servicio, intente las siguientes sugerencias para ver si puede resolver el problema sin ayuda externa.

El deshumidificador no funciona

- Encienda el deshumidificador.



- ¿Está conectado el cable de alimentación a un tomacorrientes de 3 patas con conexión a tierra? Conecte a un tomacorrientes de 3 patas conectado a tierra. Consulte Requerimientos eléctricos.
- ¿Ha explotado un fusible doméstico, o se ha detenido el disyuntor? Reemplace el fusible o restablezca el disyuntor. Si el problema continúa, llame a un electricista. Consulte "Requerimientos eléctricos".
- El balde está instalado correctamente? Vuelva a instalar el balde de manera que encaje completamente en el deshumidificador.
- ¿Debe vaciarse el balde? Vacíe el balde.
- ¿Está en su lugar el flotante de nivel de agua? Retire el balde. Asegúrese de que esté colocado en su lugar. Vuelva a instalar el balde.

Se forma hielo en las bobinas

- Todos los modelos cuentan con un descongelante automático que apagará el compresor y permitirá que funcione el ventilador. Esto reduce la generación de hielo en las bobinas. El compresor volverá a arrancar cuando el descongelante aprecie la temperatura de funcionamiento correcta.

El deshumidificador funciona pero no deshumidifica

- Todos los modelos cuentan con un descongelante automático que apagará el compresor y permitirá que funcione el ventilador. Cuando el descongelante aprecie la temperatura de funcionamiento correcta, se volverá a encender el compresor.
- ¿Está establecido el control para Funcionamiento continuo? Si ha seleccionado Funcionamiento continuo, el deshumidificador funcionará continuamente. Si el nivel de humedad es bajo, es posible que no se recolecte agua.
- El filtro está obstruido por la suciedad. Limpie el filtro.

El aire que sale del deshumidificador está caliente

- El deshumidificador extraerá aire caliente bajo condiciones de funcionamiento normales.

El deshumidificador muestra un código de problema

- E1, E2 para el tipo 2. E1, E2, E3 para el tipo 3.
Si el deshumidificador muestra un código de error, la unidad aún funcionará. Pero deberá conectarse con el servicio.

ASISTENCIA O SERVICIO

Hisense	Para clientes	
	Nombre del propietario	
	Dirección	
	Nro. de teléfono	(hogar) (oficina)
	Correo electrónico	
	Estilo de producto	
	Nro. de factura	
	Fecha de compra	
	Tienda de la compra	
	Para el personal de instalación	
	Nro. de modelo	
	Fecha de instalación	
	Nro. de teléfono	
Firma del personal de instalación	Firma del cliente	
Tarjeta de garantía del aire acondicionado		

Conserve este libro junto con el talón de ventas para referencia futura.

Nro. de versión 1414512-02

