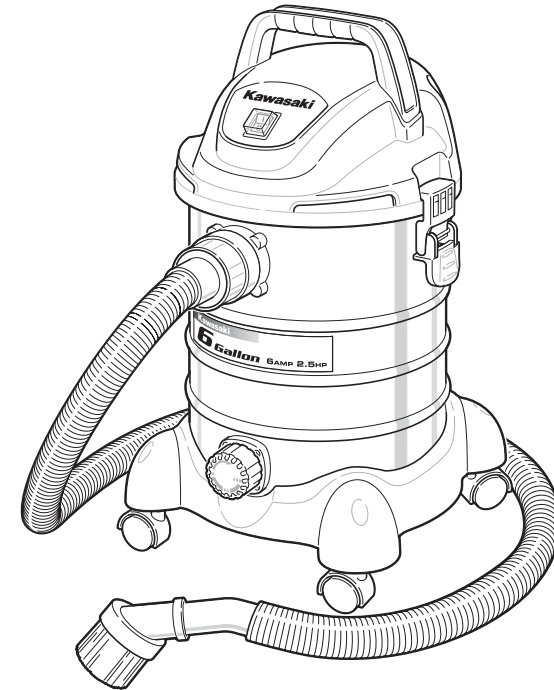


Kawasaki™

6 GALLON WET/DRY VACUUM

INSTRUCTION MANUAL



Conforms to Std. UL 1017,
Certified to CAN/CSA-C22.2
STD No.243-01



87-1904-60957

KAWASAKI™ IS A TRADEMARK LICENSED BY KAWASAKI™
MOTORS CORP., U.S.A., WHICH DOES NOT MANUFACTURE OR
DISTRIBUTE THIS PRODUCT. CONSUMER INQUIRES SHOULD BE
DIRECTED TO:

©COPYRIGHT 2006 ALLTRADE TOOLS, LLC.
1431 VIA PLATA
LONG BEACH, CA 90810-1462 USA

691359 – 6 Gallon Corded Wet/Dry Vacuum_Rev 8/16/07

FOR CUSTOMER SERVICE
POUR LE SERVICE APRÈS VENTE
OU DU CONSOMMATEUR
PARA EL SERVICIO
PARA EL CONSUMIDOR
1-800-590-3723

Printed in China

THIS MANUAL CONTAINS IMPORTANT INFORMATION REGARDING SAFETY, OPERATION, MAINTENANCE AND STORAGE OF THIS PRODUCT. BEFORE USE, READ CAREFULLY AND UNDERSTAND ALL CAUTIONS, WARNINGS, INSTRUCTIONS AND PRODUCT LABELS. FAILURE TO DO SO COULD RESULT IN SERIOUS PERSONAL INJURY AND/OR PROPERTY DAMAGE.

IF YOU SHOULD HAVE ANY QUESTIONS OR EXPERIENCE A PROBLEM WITH YOUR ALLTRADE PRODUCT, DO NOT RETURN THIS PRODUCT TO THE STORE. PLEASE CALL OUR CUSTOMER SERVICE DEPARTMENT AT **1-800-590-3723**. BEFORE YOU CALL, HAVE THE FOLLOWING INFORMATION AVAILABLE: MODEL No., DATE PURCHASED AND STORE LOCATION. AN ALLTRADE REPRESENTATIVE CAN RESOLVE YOUR PROBLEM OVER THE PHONE. IF YOU WOULD LIKE TO MAKE A SUGGESTION OR COMMENT, GIVE US A CALL OR EMAIL US AT: INFO@ALLTRADETOOLS.COM. YOUR FEEDBACK IS VITAL TO US.

TABLE OF CONTENTS

CONGRATULATIONS!	2
INTENDED USE	2
SECTION ONE	
GENERAL SAFETY RULES – FOR ALL ELECTRIC POWER TOOLS	2
RECOGNIZE SAFETY SYMBOLS, WORDS AND LABELS	2-3
IMPORTANT SAFEGUARDS	3
ELECTRICAL SAFETY	4
SERVICE	4
SECTION TWO	
SAFETY RULES FOR WET/DRY VACUUMS	5
VACUUM SAFETY	6
GROUNDING INSTRUCTIONS	6-7
EXTENSION CORD USAGE	7
SYMBOLS	8
SECTION THREE	
CONTENTS AND SPECIFICATIONS	8
FUNCTIONAL DESCRIPTION	9-10
ASSEMBLY	10-11
OPERATING THE WET/DRY VACUUM	11-14
DRY VACUUMING	12-13
WET VACUUMING	13-14
EMPTYING THE DRUM	14
SECTION FOUR	
MAINTENANCE AND CLEANING	14-15
TROUBLESHOOTING	15-16
ACCESSORIES	16
SPECIFICATIONS	17
OTHER CONSUMER DO-IT-YOURSELF (DIY) TOOLS	17
SECTION FIVE	
3 YEAR LIMITED WARRANTY	17-20

CONGRATULATIONS!

Thanks for choosing this product. At Alltrade, our aim is to provide you with quality products at an affordable price, and we want you to be totally satisfied with your product and our Customer Service. If any help and advice is needed, please contact us at 1-800-590-3723. Properly cared for, this tool will give you many years of satisfaction.

INTENDED USE

This tool is intended for consumer use only. This tool is not designed for professional use. The power cord should only be used in approved electrical outlets as described in this manual.

GENERAL SAFETY RULES – FOR ALL ELECTRIC POWER TOOLS

⚠ WARNING READ AND UNDERSTAND ALL INSTRUCTIONS. Failure to follow all instructions listed below may result in electric shock, fire and/or serious personal injury.

SAVE THESE INSTRUCTIONS FOR FUTURE REFERENCE.

RECOGNIZE SAFETY SYMBOLS, WORDS AND LABELS

The safety instructions provided in this manual are not intended to cover all possible conditions and practices that may occur when operating, maintaining and cleaning power tools.

Always use common sense and pay particular attention to all the **DANGER**, **WARNING**, **CAUTION** and **NOTE** statements of this manual.



This is the safety alert symbol. It is used to alert you to potential personal injury hazards. Obey all safety messages that follow this symbol to avoid possible injury or death.

⚠ DANGER

DANGER indicates an imminently hazardous situation which, if not avoided, will result in death or serious injury.

⚠ WARNING

WARNING indicates a potentially hazardous situation which, if not avoided, could result in death or serious injury.

⚠ CAUTION

CAUTION indicates a potentially hazardous situation which, if not avoided, may result in minor or moderate injury.

CAUTION

CAUTION used without the safety alert symbol indicates a potentially hazardous situation which, if not avoided, may result in property damage.

NOTE

NOTE provides additional information that is useful for proper use and maintenance of this tool. If a NOTE is indicated make sure it is fully understood.

IMPORTANT SAFEGUARDS

⚠ DANGER

People with electronic devices, such as pacemakers, should consult their physician(s) before using this product. Operation of electrical equipment in close proximity to a heart pacemaker could cause interference or failure of the pacemaker.

WARNING: Some dust created by power sanding, sawing, grinding, drilling and other construction activities contains chemicals known to the State of California to cause cancer, birth defects or other reproductive harm.

Some examples of these chemicals are:

- Lead from lead-based paints.
- Crystalline silica from bricks and cement and other masonry products, and arsenic and chromium from chemically-treated lumber.

Your risk from these exposures varies, depending on how often you do this type of work. To reduce your exposure to these chemicals: work in a well ventilated area, and work with approved safety equipment, such as dust masks that are specially designed to filter out microscopic particles.

WARNING: Handling the power cord on corded products may expose you to lead, a chemical known to the State of California to cause cancer and birth defects or other reproductive harm. *Wash hands after handling.*

ELECTRICAL SAFETY

⚠ WARNING

Grounded tools must be plugged into an outlet properly installed and grounded in accordance with all codes and ordinances. Never remove the grounding prong or modify the plug in any way. Do not use any adapter plugs. Check with a qualified electrician if you are in doubt as to whether the outlet is properly grounded. If the tools should electrically malfunction or break down, grounding provides a low resistance path to carry electricity away from the user.

Avoid body contact with grounded surfaces such as pipes, radiators, ranges and refrigerators. There is an increased risk of electric shock if your body is grounded.

Do not expose power tools to rain or wet conditions. Water entering a power tool will increase the risk of electric shock.

Do not abuse the cord. Never use the cord to carry the tool or pull the plug from an outlet. Keep the cord away from heat, oil, sharp edges, or moving parts. Replace damaged cords immediately. Damaged cords increase the risk of electric shock.

When operating the tool outside, use an outdoor extension cord marked “W-A” or “W.” These cords are rated for outdoor use and reduce the risk of electric shock.

SERVICE

⚠ CAUTION

Tool service must be performed only by qualified repair personnel. Service or maintenance by unqualified personnel could result in a risk of injury.

When servicing a tool, use only identical replacement parts. Follow instructions in the Maintenance section of this manual. Use of unauthorized parts or failure to follow Maintenance Instructions may create a risk of shock or injury.

SAFETY RULES FOR WET / DRY VACUUM

⚠ WARNING

Never immerse the motor housing in water or liquid. Do not expose to rain or other wet conditions. Failure to keep motor housing dry will lead to risk of electric shock.

Never handle the Wet/Dry Vacuum with wet hands.

Keep body away from grounded surfaces like refrigerators, pipes or ranges.

⚠ WARNING

For additional protection against shock, connect the Wet/Dry Vacuum to an outlet with a Ground Fault Circuit Interrupter (GFCI).

Keep the ventilation openings clear of dust, hair, paper or anything else that may restrict air flow.

NEVER run the Wet/Dry Vacuum over the cord.

DO NOT vacuum toxic materials.

STOP using the Wet/Dry Vacuum immediately if the motor housing breaks and the motor or any other electrical components are exposed. Using the Wet/Dry Vacuum in this condition could lead to shock or serious personal injury.

Always wear safety goggles or eye protection when using this tool. Operation of the Wet/Dry Vacuum can result in foreign objects being blown into the eyes resulting in severe eye damage. **NOTE:** Everyday glasses are not SAFETY GLASSES and not compliant with ANSI.

Use a dust mask or respirator for applications which generate dust.

Always wear an OSHA approved dusk mask or respirator when inside the work area. Replace the filter daily. **NOTE:** Not all dust masks offer protection from lead paint dust. Be sure to use the proper mask for the job.

Wear ear protection when using the Wet/Dry Vacuum for extended hours or when using it in a noisy area.

Maintain labels and nameplates on the Wet/Dry Vacuum. These carry important information. If unreadable or missing, contact Alltrade for a replacement.

Store idle tools out of reach of children and other untrained persons. Tools are dangerous in the hands of untrained users.

Keep hair, clothing, fingers and all parts of the body away from openings and moving parts.

Disconnect the power cord plug from the power source before making any adjustments, changing accessories or storing the tool. Such preventive safety measures reduce the risk of starting the tool accidentally.

Do not abuse the cord. Never use the cord to carry the tool or pull the plug from an outlet. Keep the cord away from heat, oil, sharp edges, or moving parts. Replace damaged cords immediately. Damaged cords increase the risk of electric shock.

Use only accessories that are recommended by the manufacturer for your model. Accessories that may be suitable for one tool may create a risk of injury when used on another tool.

VACUUM SAFETY

⚠ WARNING

NEVER leave Wet/Dry Vacuum running unattended. Turn off the vacuum before unplugging. Unplug the vacuum when not in use and before servicing.

NEVER vacuum in the presence of flammable or explosive materials such as gasoline, natural gas, coal dust, magnesium dust, gun powder, hydrogen, solvents or lighter fluid. Sparks inside the motor can cause flammable dust, liquid or gases to explode.

DO NOT vacuum toxic materials.

DO NOT use for grooming animals.

USE extra care vacuuming stairs.

DO NOT unplug by pulling on the cord. To unplug grasp the plug not the cord.

NEVER vacuum up smoldering cigarette butts, hot ashes or any other burning material. This may cause the unit to burst into flame.

NEVER use the vacuum if the filter is wet or missing.

DO NOT put objects into openings. Do not use when any opening is blocked. Keep free of dust, lint, hair and anything that will reduce air flow.

⚠ WARNING

If you have a pacemaker, consult your doctor before using this product. This equipment could cause pacemaker interference or failure when used at close quarters.

To reduce the risk of back injury, falls or impact from falling Wet/Dry Vac: Limit the weight in the drum before lifting the vac or moving it up or down stairs. For liquids, drain the Wet/Dry Vac drum. For heavy, dry media, empty the Wet/Dry Vac drum. Get help when you need to lift the Wet/Dry Vac to empty it, or tip the drum over on it's side and pour the media into a disposal container.

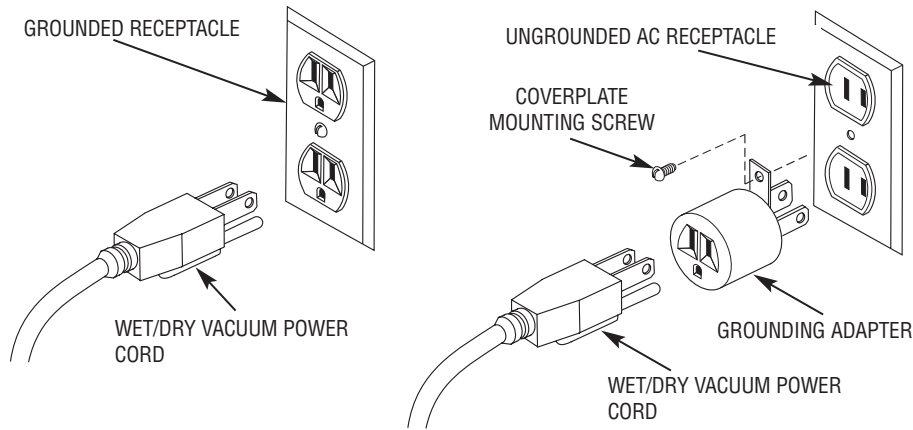
GROUNDING INSTRUCTIONS

The electrical power source for this Wet/Dry Vacuum **MUST** be grounded in order prevent possible electric shock or even death should the tool malfunction or breakdown. Grounding provides a path of least resistance for electric current thus reducing the risk of electrical shock. The power source must also use a minimum 20A service and not used if other power tools on the same circuit are in use.

This Wet/Dry Vacuum is equipped with a grounded 3-wire power cord with a 3-prong plug. If the power cord will not fit into the wall plug, an approved adapter can be used as long as it is connected to the center screw in the wall plate. **Never modify the electrical plug** by cutting off the grounding prong so it will fit into unap-

proved, un-grounded electrical receptacles.

If you have questions about hooking up the Wet/Dry Vacuum, contact a certified electrical contractor to install the proper circuitry acceptable for this and other



power tools you use. Repair or replace any damaged electrical wiring **IMMEDIATELY**.

EXTENSION CORD USAGE

Extension cords are not recommended for use with this Wet/Dry Vacuum. Extension cords, if used, must be properly grounded with a 3-prong plug on one and a 3-hole receptacle on the other. **DO NOT use grounding adapters with an extension cord.** Extension cords must be UL listed and use a minimum of 18 A.W.G. wiring. Extension cords should never exceed 25 feet in length. Extension cords, that are too long, cause a voltage drop over the extra distance causing the Wet/Dry Vacuum motor to run slower with the possibility of causing damage to the motor. Using extension cords with smaller than the recommended wire gauge run the risk of getting too hot, melting, and/or causing fires. See table, “**Extension Cord Specifications**”, on page 16.

SYMBOLS

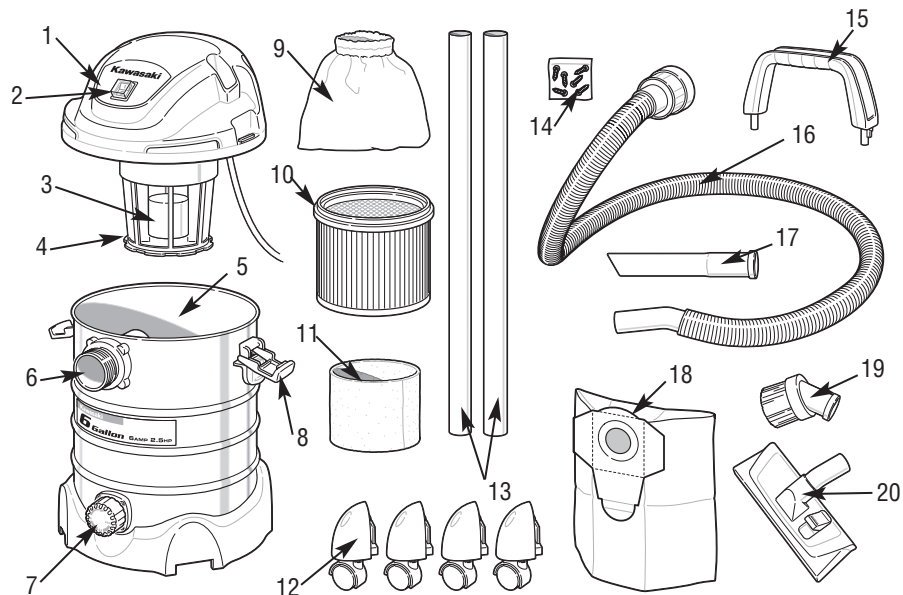
IMPORTANT: Some of the following symbols may be used on your tool. Please study them and learn their meaning. Proper interpretation of these symbols will allow you to operate the tool better and safer.

SYMBOL	NAME	EXPLANATION
V	Volts	Voltage (Potential)
A	Amperes	Current
Hz	Hertz	Frequency (Cycles per Second)
W	Watt	Power
Kg	Kilograms	Weight
~	Alternating Current	Type of Current
—	Direct Current	Type of Current
~	Alternating or Direct Current	Type of Current
⊕	Earthing Terminal	Grounding Terminal
□	Class II Construction	Denotes Double Insulation
min	Minutes	Time
s	Seconds	Time
φ	Diameter	Size of Drill Bits, Grinding Wheels, etc.
n_0	No load speed	No-load Rotational Speed
.../min	Revolutions per Minute	Revolutions, Surface Speed, Strokes, etc. per Minute
1,2,3, ...	Ring Selector Settings	Speed, Torque or Position Settings

CONTENTS AND SPECIFICATIONS

1. Carefully unpack the carton.
2. Locate the two side clasps that hold the top section in place.
3. Undo the clasps, remove the top section and take out the items in the container.
4. Check and identify each component listed below. If any parts are missing or damaged contact the supplier immediately.

FUNCTIONAL DESCRIPTION



CONTROLS AND COMPONENTS:

- | | |
|------------------------|-------------------------|
| 1. Top Assembly | 11. Foam Sleeve Filter |
| 2. On/Off Button | 12. (4) Casters |
| 3. Safety Float Valve | 13. (2) Extension Wands |
| 4. Filter Basket | 14. (6) Assembly Screws |
| 5. Canister | 15. Handle |
| 6. Hose Connector | 16. Hose |
| 7. Water Drain Cap | 17. Crevice Tool |
| 8. Top Assembly Clamps | 18. Dust Collection Bag |
| 9. Reusable Filter Bag | 19. Brush Nozzle |
| 10. Cartridge Filter | 20. Dual Surface Nozzle |

COMPONENT	MODEL NUMBER
-----------	--------------

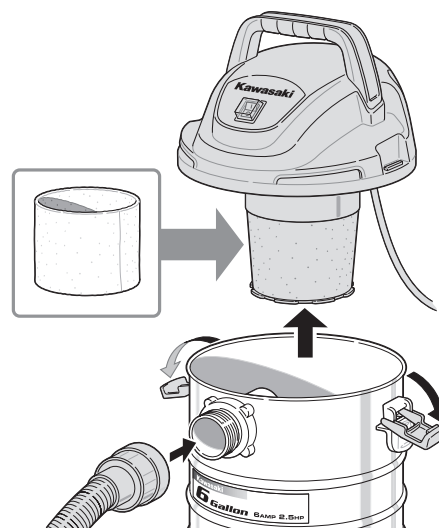
VACUUM CLEANER	691359
REUSABLE FILTER BAG	691367
HOSE	691365
FOAM SLEEVE FILTER	691366
METAL EXTENSION WANDS	691364
DUST COLLECTION BAG	691368

COMPONENT	MODEL NUMBER
-----------	--------------

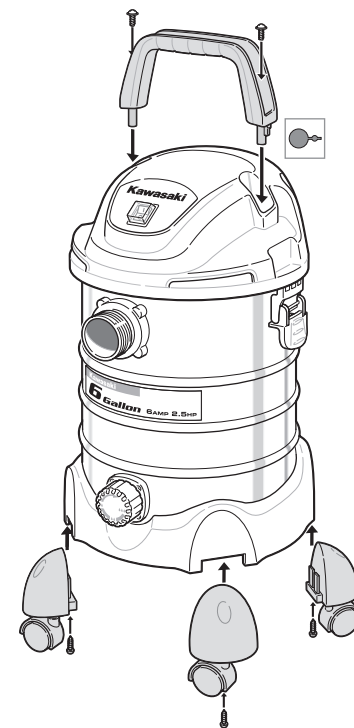
DUAL SURFACE NOZZLE	691362
CREVICE TOOL	691361
CARTRIDGE FILTER	691369
ROUND NOZZLE	691363

ASSEMBLY

1. Make sure the main plug is disconnected.
2. Undo the clasps.
3. Lift off the top section assembly.
4. Remove contents from inside the container.
5. Fit the handle on the top section. Secure with 2 assembly screws.
6. Turn the container upside down and insert the four feet with casters on the tank. Make sure they are mounted correctly and pushed all the way in. Secure with 4 assembly screws.

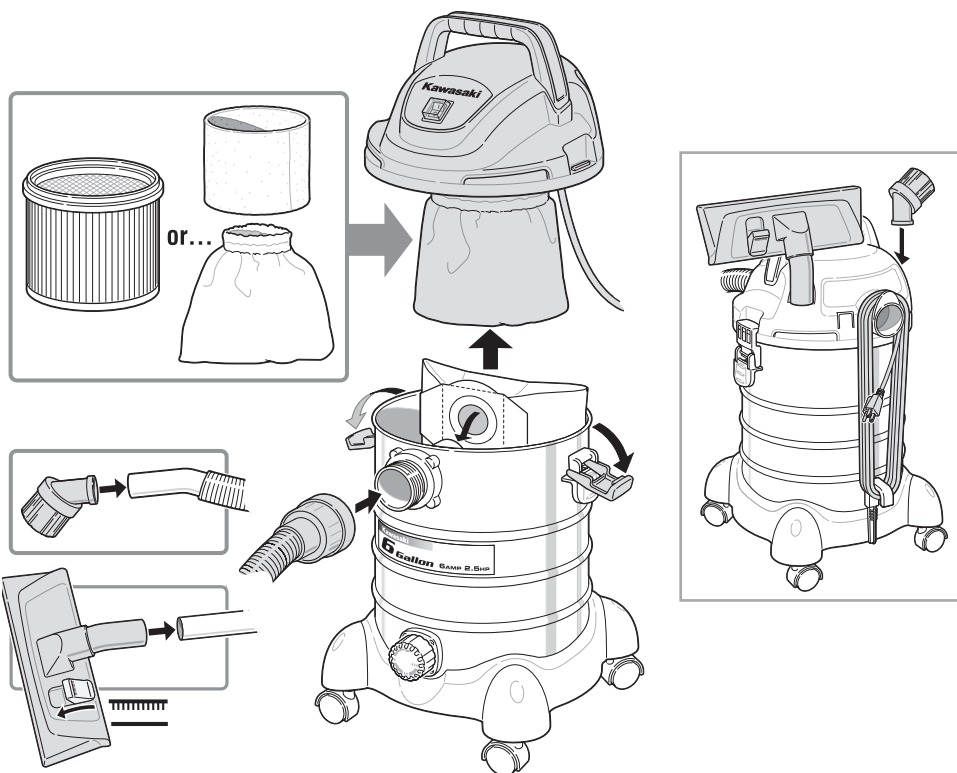


9. Replace the top section on the container.
10. Align the top section with the clasps and snap into place by applying pressure at the midpoint of the clasps.



7. For **Wet Vacuum** cleaning attach the supplied foam sleeve filter.
8. For **Dry Vacuum** cleaning fit the supplied dust collection bag and reusable filter or cartridge filter.

11. Insert the large end of the hose into the front inlet of the container.
12. Choose the desired nozzle/extension wand(s) and push it onto the suction tube.
13. Store accessories as shown.



OPERATING THE WET/DRY VACUUM

⚠ WARNING

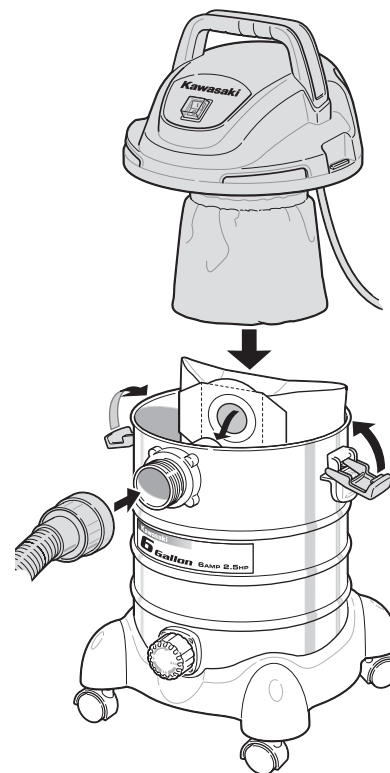
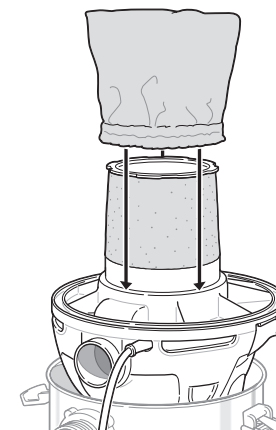
To reduce the risk of fire or explosion, do not operate this vac in areas with flammable gases, vapors or explosive dust in the air. Flammable gases or vapors include but are not limited to; lighter fluid, solvent type cleaners, oil-base paints, gasoline, alcohol or aerosol sprays. Explosive dusts include but are not limited to; coal, magnesium, grain or gun powder. Do not vacuum explosive dust, flammable or combustible liquids or hot ashes. Do not use this vac as a sprayer. To reduce the risk of health hazards from vapors or dusts, do not vacuum toxic materials.

⚠ CAUTION

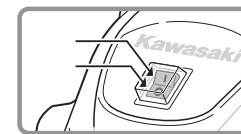
To reduce risk of hearing damage, wear ear protectors when using the vac for extended hours or when using it in a noisy area. The operation of any utility vac can result in foreign objects being blown into the eyes, which can result in severe eye damage. Always wear eye protection.

DRY VACUUMING

1. Make sure the vacuum is unplugged from the power supply.
2. Make sure the foam sleeve filter is clean and dry and installed over the filter basket before installing the dry filter.
3. Place the powerhead in an upside down position. Center the reusable filter or cartridge filter over the filter basket.



4. Insert the dust collection bag into drum and fit the dust bag flange onto the inlet stub taking care not to damage the bag.
5. Reposition the powerhead onto the drum body and clip into place.
6. Insert the larger end of the flexible hose into the front inlet on the container and lock into place. Attach the required attachment onto the free end of the hose.
7. Plug in the power supply.
8. Switch the motor on (position I).
9. When you have finished vacuuming press the switch to "OFF" (position O) and unplug from the power supply.



NOTE

A dry filter is necessary to pick up dry material. If you use your vac to pick up dust when the filter is wet, the filter will clog quickly and be very difficult to clean. If your filter is wet but you need to use the vac to pick up dry material, you can quickly dry the filter by running the vac without the hose attached for about 10 minutes. The clean air rushing through the vac will help dry the filter.

CAUTION

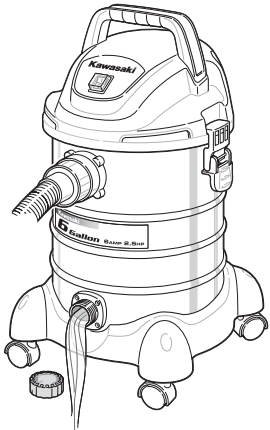
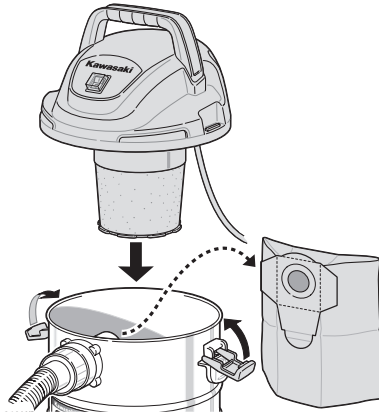
Check the Dust Collection Bag regularly and dispose of it safely when the bag is 2/3 full. The Dust Collection Bag is manufactured so that only air will pass through the paper. The Dust Collection Bag must not be reused.

WARNING

Do not use the Dust Collection Bag for wet or sharp materials.

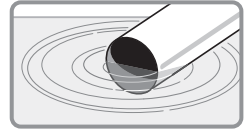
WET VACUUMING

1. Make sure the vacuum is unplugged from the power supply. Make sure the tank is clean and free from dust and dirt.
2. Remove the dust bag and dry filter. Leave only the foam filter over the filter basket and replace the top section onto the container.
3. Using the same flexible hose used when dry vacuuming, attach the desired nozzle.

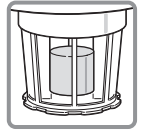


4. Make sure the power switch is in the "OFF" position (position O) before plugging into the power supply.
5. Press the switch to the "ON" position (position I).
6. After use empty the tank and dry.

To vacuum large quantities of liquid from a sink or tank do not immerse the nozzle completely in the liquid. leave a gap at the top of the nozzle opening to allow an air inflow.



The vacuum is fitted with a float valve which stops suction when the tank has reached its maximum capacity. The user will notice an increase in motor speed. When that happens turn off the vacuum, disconnect the power source. Remove the head from the container and empty the liquid into a suitable receptacle or drain.



CAUTION

After wet vacuuming remove the foam sleeve filter to dry before reattaching.

EMPTYING THE DRUM

WARNING

To reduce the risk of injury from accidental starting unplug the power cord before emptying the drum.

To reduce the risk of back injury or falls, do not lift a vac with liquid or debris. Scoop or drain enough contents out to make the vac light enough to lift comfortably.

1. The vac comes equipped with a drain for easy emptying of liquids. Simply unscrew the drain cap and lift the opposite side slightly to empty the drum.
2. Another option is to remove the powerhead assembly.
3. Lay powerhead assembly aside on a clean area while emptying drum.
4. Dump the drum contents into the proper waste disposal container.

MAINTENANCE AND CLEANING

WARNING

Do not remove the filter cage. It is there to help prevent your fingers from getting into the blower wheel.

Always unplug the Wet/Dry Vacuum before removing the powerhead from the tank.

Make sure the vacuum is unplugged from the power source.

Disconnect the hose from the container.

Undo the clasps and remove the motor head from the container.

Remove any dirt or debris from the container and hose.

Clean the foam filter by washing it in a mild soapy solution.

Check the hoses, attachments and the power cable for any damage.

CARTRIDGE FILTER MAINTENANCE

⚠ WARNING To reduce the risk of injury from accidental starting, unplug power cord before changing or cleaning the filter.

NOTE This filter is made of high quality paper designed to stop small particles of dust. The filter should be used for dry pickup. A dry filter is necessary to pick up dust as when the filter is wet the filter will clog quickly and be difficult to clean.

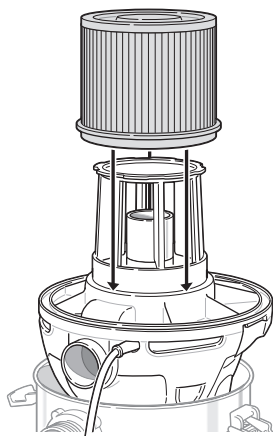
Handle the filter carefully when installing or removing for cleaning.

Check the filter for tears or small holes. A small hole can let dust pass through the vacuum.

If the filter is damaged replace it immediately.

INSTALLING AND CLEANING

1. Slide the cartridge filter down over the filter basket and make sure it's secure.
2. When removing the filter take care not to damage it.
3. Clean a dry filter by tapping it inside a waste bin.
4. Clean a wet filter by rinsing the inside.
5. When the cartridge filter is wet it should be removed and let dry for 24 hours before being refitted onto the filter basket.



TROUBLESHOOTING

⚠ WARNING You must change the Dust Collection Bag regularly. If the vacuum is used without a Dust Collection Bag the motor will burn out and you warranty will be invalid. Always keep extra Dust Collection Bags on hand.

Vacuum will not operate	<ol style="list-style-type: none"> 1. No power supply. 2. Faulty power cable, switch or motor. 3. The container is full of liquid. 	<ol style="list-style-type: none"> 1. Check power supply 2. Check and repair or replace faulty item. 3. Empty container.
Dust blows out from the powerhead	<ol style="list-style-type: none"> 1. Dust bag missing or damaged. 	<ol style="list-style-type: none"> 1. Fit or replace dust bag.
Reduced efficiency and increased motor speed or vibration	<ol style="list-style-type: none"> 1. Dust bag is full. 2. Nozzle, hose or container inlet blocked. 	<ol style="list-style-type: none"> 1. Replace dust bag. 2. Check nozzle, hose and container inlet for blockage.

ACCESSORIES

Use only accessories that are recommended by the manufacturer for your model. Accessories that may be suitable for one tool may become hazardous when used on another tool.

Always attach grounded (3-prong) extension cords to grounded (3-hole) outlets. If you must use an extension cord, be sure that the gauge is large enough to carry the amount of current necessary for your power tool. If not, your tool may experience a loss of power, excessive voltage drop or overheating. The smaller the gauge number, the heavier the cord (see table on below).

RECOMMENDED SIZES OF EXTENSION CORDS 120 VOLT AC 60 HZ TOOLS

TOOL CURRENT RATING	CONDUCTOR SIZE IN A.W.G				
	AMPERE	10FT.	25FT.	50FT.	100FT.
3-6	18	18	18	18	18
6-8	18	18	18	18	16
8-10	18	18	18	18	14
10-12	16	16	14	14	14
12-16	14	12	12	12	-
16-20	12	12	12	12	-

SPECIFICATIONS

SPECIFICATIONS

Input	120V \sim 60 Hz 8 A
Peak Horsepower	2.5
Tank Capacity	6 Gallons
Filter - Dry	Dust Bag, Reusable Filter, Cartridge Filter
Filter - Wet	Foam Sleeve Filter

OTHER CONSUMER DO-IT-YOURSELF (DIY) TOOLS

Alltrade offers a full range of Kawasaki™ tools that make DIY jobs easy. If you would like further information on the following products, please contact Alltrade Customer Service Department at 1-800-590-3723.

Cordless Drills/Screwdrivers	Reciprocating Saws
Impact Wrenches	Routers
Sanders	Rotary Tools
Jigsaws	Corded and Cordless Multi-Purpose Tools
Circular Saws	Wide Range of Accessories and more
Angle Grinders	

3 YEAR LIMITED WARRANTY

Express and Exclusive Limited Warranty to Original Retail Buyer

Alltrade Tools LLC (hereinafter "Alltrade") expressly warrants to the original retail purchaser of the accompanying KAWASAKI™ power tool and no one else all parts of the product (except those parts referred to below which are specifically excluded from such warranty (see Exclusions)) to be free from defects in materials and workmanship for a period of three years from original date of purchase, except that such warranty with regard to the battery shall be for a period of two years from original date of purchase, unless the tool is used for commercial or rental purposes.

SPECIAL WARRANTY NOTE FOR COMMERCIAL OR RENTAL USE: The above warranty for this Kawasaki™ power tool, including the battery, shall be effective for only 90 days from the original date of purchase if this tool is used for any **COMMERCIAL OR RENTAL PURPOSE.**

The date of purchase shall be the date of shipment to the original purchaser, or the date the original purchaser took possession, custody or control of the product,

whichever occurred first. This warranty shall be null and void if the product or any component thereof is modified or altered. This warranty does not apply to any other product and/or component thereof manufactured or distributed by Alltrade, and does not apply to products and/or components thereof designed, manufactured and/or assembled by others, for which Alltrade makes no warranties whatsoever. **THERE ARE NO WARRANTIES WHICH EXTEND BEYOND THE DESCRIPTION ON THE FACE HEREOF.**

Warranty Performance

By purchasing the product, purchaser expressly acknowledges and agrees that their sole and exclusive remedy under this warranty shall be strictly limited to the repair or replacement of any covered nonconforming items or parts thereof provided that any such nonconforming item and/or part is promptly returned to Alltrade's facility postage pre-paid and insured (address: ALLTRADE Warranty Claims & Repair, 1431 Via Plata, Long Beach, CA 90810, Attn: Customer Service #1-800-590-3723) within the applicable warranty period, with a written request by purchaser that Alltrade repair and/or replace the nonconforming item and/or part. We recommend that you keep the original product packaging in the event you need to ship the unit. We suggest the package be insured against loss or in transit damage. When sending your product include your name, address, phone number, dated proof of purchase (or copy), and a statement about the nature of problem. Warranty coverage is conditioned upon purchaser furnishing Alltrade with adequate written proof that they are the original purchaser and of the original purchase date. Parts returned, freight prepaid and insured, to Alltrade's facility (see above address) will be inspected and, at Alltrade's option, repaired and/or replaced free of charge if found to be defective and subject to warranty. Alltrade retains the sole discretion to determine whether any item or part is nonconforming and, if so, whether the item and/or part will be repaired and/or replaced. If the unit is repaired, new or reconditioned replacement parts may be used. If Alltrade chooses to replace the product, it may replace it with a new or reconditioned one of the same or comparable design. The repaired or replaced unit will be warranted under the terms of the remainder of the warranty period. Typically, a defective product that is returned within the first 30 days after the purchase date will be replaced; for items returned after the first 30 days and within the warranty period, covered defective parts not subject to normal wear and tear or other exclusions will be repaired or replaced, at Alltrade's option. During the warranty period, Alltrade will be responsible for the return shipping charges. Alltrade's repair and/or replacement of any nonconforming item and/or part thereof shall constitute fulfillment of all obligations to the purchaser. Alltrade shall not be responsible or liable for any expense, including freight charges, or repairs made outside Alltrade's facility, unless expressly agreed to by Alltrade in writing. Under no circumstances shall Alltrade bear any responsibility for loss of the unit, loss of time or rental, inconvenience, commercial loss or consequential damages.

Exclusions

This warranty does not cover parts damaged due to normal wear, abnormal conditions, misapplication, misuse, abuse, accidents, operation at other than recommended pressures or temperatures, improper storage or freight damage. Parts damaged or worn by operation in dusty environments are not warranted. Failure to follow recommended operating and maintenance procedures also voids warranty.

This limited warranty does not apply to accessory items such as drill bits, screwdriving bits, circular saw blades, jigsaw blades, grinding wheels, sanding sheets and other related items.

DAMAGE TO THE PRODUCT RESULTING FROM TAMPERING, ACCIDENT, ABUSE, NEGLIGENCE, FAILURE TO FOLLOW INSTRUCTIONS, UNAUTHORIZED REPAIRS OR ALTERATIONS, DAMAGE WHILE IN TRANSIT TO OUR SERVICE FACILITY, USE OF UNAPPROVED OR IMPROPER ATTACHMENTS OR ACCESSORIES, COMMERCIAL AND RENTAL APPLICATIONS OR OTHER CAUSES UNRELATED TO PROBLEMS WITH MATERIAL OR WORKMANSHIP ARE NOT COVERED BY THIS WARRANTY.

Alltrade will not be liable for the following: labor charges, loss or damage resulting from improper operation, maintenance or repairs made by other persons; pre-delivery services such as assembly, oil or lubricants, and adjustment; maintenance services that are normally required to maintain the product.

The use of other than genuine Alltrade Repair Parts will void warranty.

Warranty Disclaimers

EXCLUSION AND DISCLAIMER OF ALL OTHER EXPRESS WARRANTIES, GUARANTIES AND/OR REPRESENTATIONS. EXCEPT FOR THE LIMITED WARRANTY PROVIDED ABOVE, ALL OTHER EXPRESS WARRANTIES, GUARANTIES AND/OR REPRESENTATIONS BY ALLTRADE AND/OR ITS REPRESENTATIVE(S) REGARDING THE DESIGN, MANUFACTURE, PURCHASE, USE AND/OR OPERATION OF THE PRODUCT OR ANY COMPONENT THEREOF SOLD HEREUNDER, REGARDLESS OF WHETHER ANY SUCH WARRANTY, GUARANTY AND/OR REPRESENTATION, WRITTEN OR ORAL, ARISES BY OPERATION OF LAW AND/OR EQUITY AND/OR BY ANY ACT OR OMISSION OF ALLTRADE AND/OR ITS REPRESENTATIVE(S), OR THE BUYER, ARE HEREBY EXPRESSLY EXCLUDED AND DISCLAIMED BY ALLTRADE AND/OR ITS REPRESENTATIVES. PURCHASER KNOWINGLY AND WILLINGLY WAIVES ANY AND ALL SUCH WARRANTIES AND RIGHTS, CLAIMS AND/OR CAUSES OF ACTION ARISING THEREFROM OR BASED THEREON. PURCHASER'S SOLE AND EXCLUSIVE REMEDY IS AS STATED ABOVE.

EXCLUSION AND DISCLAIMER OF ALL IMPLIED WARRANTIES, INCLUDING THE IMPLIED WARRANTIES OF MERCHANTABILITY AND FITNESS FOR A PARTICULAR PURPOSE. NO WARRANTY, ORAL OR WRITTEN, OTHER THAN THE ABOVE WARRANTY IS MADE WITH REGARD TO THIS PRODUCT. ALL EXPRESS AND/OR

IMPLIED WARRANTIES, GUARANTIES AND/OR REPRESENTATIONS BY ALLTRADE AND/OR ITS REPRESENTATIVE(S) REGARDING THE DESIGN, MANUFACTURE, PURCHASE, USE AND/OR OPERATION OF THE PRODUCT OR ANY COMPONENT THEREOF SOLD HEREUNDER, REGARDLESS OF WHETHER ANY SUCH WARRANTY, GUARANTY AND/OR REPRESENTATION, WRITTEN OR ORAL, ARISES BY OPERATION OF LAW AND/OR EQUITY AND/OR BY ANY ACT OR OMISSION OF ALLTRADE AND/OR ITS REPRESENTATIVE(S), OR THE PURCHASER, INCLUDING BUT NOT LIMITED TO THE IMPLIED WARRANTY OF MERCHANTABILITY AND THE WARRANTY OF FITNESS FOR A PARTICULAR PURPOSE, ARE HEREBY EXPRESSLY EXCLUDED AND DISCLAIMED BY ALLTRADE AND/OR ITS REPRESENTATIVES. PURCHASER KNOWINGLY AND WILLINGLY WAIVES ANY AND ALL SUCH WARRANTIES AND RIGHTS, CLAIMS AND/OR CAUSES OF ACTION ARISING THEREFROM OR BASED THEREON. PURCHASER'S SOLE AND EXCLUSIVE REMEDY IS AS STATED ABOVE.

Limitation Of Liability

IN NO EVENT SHALL ALLTRADE AND/OR ITS REPRESENTATIVE(S) BE LIABLE FOR INDIRECT, INCIDENTAL, SPECIAL AND/OR CONSEQUENTIAL DAMAGES OF ANY KIND ARISING OUT OF OR RELATED TO, DIRECTLY OR INDIRECTLY, ANY BREACH OF ANY PROVISION OF ANY AGREEMENT BETWEEN ALLTRADE AND/OR ITS REPRESENTATIVE(S) AND PURCHASER, ANY WARRANTY HEREUNDER, AND/OR THE EXISTENCE, DESIGN, MANUFACTURE, PURCHASE, USE AND/OR OPERATION OF ANY ITEM(S) SOLD HEREUNDER EVEN IF ALLTRADE AND/OR ITS REPRESENTATIVE(S) HAS BEEN ADVISED OF THE POSSIBILITY OF ANY SUCH DAMAGES. IN NO EVENT, WHETHER AS A RESULT OF A BREACH OF CONTRACT, WARRANTY, TORT (INCLUDING NEGLIGENCE) OR OTHERWISE, SHALL ALLTRADE'S AND/OR ITS REPRESENTATIVE(S)' LIABILITY EXCEED THE PRICE OF THE PRODUCT. ANY AND ALL LIABILITY CONNECTED WITH THE USE OF THIS PRODUCT SHALL TERMINATE UPON THE EXPIRATION OF THE WARRANTY PERIODS SPECIFIED ABOVE.

Limitations on Warranty Disclaimers

Some states do not allow limitations on how long an implied warranty lasts and some states do not allow the exclusion or limitation of the incidental or consequential damages, so part or all of the above limitations or exclusions may not apply to you. This warranty gives you specific legal rights, and you may also have other rights which vary from state to state.

If your product is not covered by this warranty, please call our Customer Service Department toll free at 1-800-590-3723 for general repair information and charges.