

HOME
DECORATORS
COLLECTION



Ships in 7-10 Days
Fully Assembled Cabinets
Soft Close Doors & Drawers
Factory Built in the USA
Limited Lifetime Warranty

SPECIFICATION GUIDE

CUSTOM ASSEMBLED
CLOSET CABINETRY

hdcclosets.com



HOME
DECORATORS
COLLECTION

Custom Assembled Closets

Limited Lifetime Warranty

Home Decorators Collection Closets (warrantor) warrants to the original consumer purchaser only that all products manufactured or supplied by warrantor will be free from defects in material and workmanship under normal use for your lifetime as long as you own the warranted products. (Proof of Purchase is required.) This warranty is only applicable to product used for Residential Purposes and is not transferable to subsequent owners.

This warranty does not cover damage resulting from normal wear, accident, misuse or lack of reasonable and necessary maintenance and service; nor does it warranty the improper installation or unauthorized repair, alteration, or modification or defect in the unit when the product is installed.

In the event of a warranted product defect, please call or write Home Decorators Collection Closets with a description of the defect. It is Home Decorators Collection Closets' option to provide repair parts or replace with a functionally equivalent product. Proof of purchase and the return of product may be required for replacement. Such repair parts or replacement shall be at warrantor's expense, original purchaser shall bear all other expenses, including, but not limited to, cost of removal, transportation, re-installation, communication and any special service required such as, overtime labor, etc. Repaired or replaced items carry only the unexpired portion of the original warranty.

Products vary in color and grain pattern and exhibit color change over time. Product may darken or lighten with age due to exposure to certain environmental conditions including but not limited to, sunlight, moisture, household cleaners, smoke, etc. These variations are considered the natural characteristics of the material and are not covered under warranty.

EXCEPT TO THE EXTENT PROVIDED BY APPLICABLE LAW, ALL IMPLIED WARRANTIES, INCLUDING WARRANTIES OF MERCHANTABILITY AND FITNESS FOR A PARTICULAR PURPOSE, ARE LIMITED IN DURATION TO THE SHORTER OF THE PERIOD PROVIDED BY LAW OR THE PERIOD OF THIS WARRANTY, AND UNDER NO CIRCUMSTANCES SHALL HOME DECORATORS COLLECTION CLOSETS BE LIABLE FOR INCIDENTAL OR CONSEQUENTIAL DAMAGES SUSTAINED IN CONNECTION WITH THE PRODUCT. THE EXPRESS WARRANTY ABOVE CONSTITUTES THE ENTIRE WARRANTY AND IS IN LIEU OF ALL OTHERS EXPRESSED OR IMPLIED.

Some states do not allow the exclusion or limitation of incidental or consequential damages, or limitation on how long an implied warranty lasts, therefore, the above limitations or exclusions may not apply to you.

This warranty gives you specific legal rights, and you may also have other rights, which vary from state to state.

Home Decorators Collection Closets shall not be liable for either its failure to perform or delays in performance hereunder arising out of or resulting from causes beyond its control, including but not limited to, acts of God, acts of Representatives, acts of Government, wars, fires, floods, epidemics, quarantine, strike, freight embargoes, weather or default by suppliers due to any such causes.

All claims for defective products must be submitted to Home Decorators Collection Closets in writing and must specify the alleged defect. Home Decorators Collection Closets, at its sole discretion, will repair or replace any product deemed defective.

Contact:
Home Decorators Collection Closets
designservices@hdcclosets.com
Tel: 866-373-9131

Table of Contents



Door Styles 4

Colors 5

Construction Details 6

How the System Works 7

Wall Cabinets 8-18

Base Cabinets 19-21

Base Cabinets with legs 22-24

Countertops 25

Accessories 26-31

Decorative Hardware 32-34

Door Styles

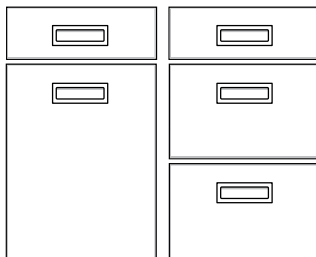
Calabria



- 3/4" thick furniture grade particleboard
- Low pressure laminate finish
- Edges sealed with color-matched PVC edge banding
- Integrated face-mount pull included (factory installed)

Available in both Designer and Architect Series

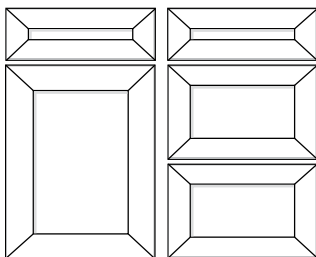
Firenze



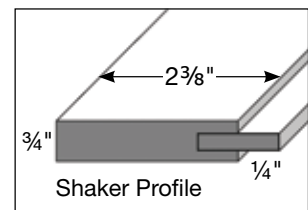
- 3/4" thick furniture grade particleboard
- Low pressure laminate finish
- Edges sealed with color-matched PVC edge banding
- Pulls required (see pages 32-34)

Available in both Designer and Architect Series

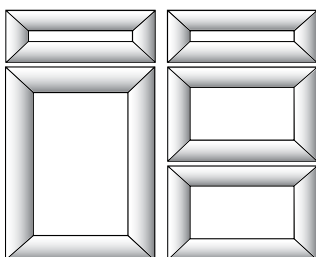
Bergamo



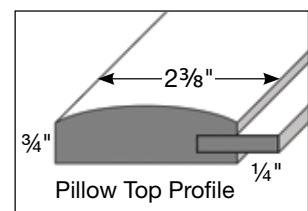
- 2³/₈" wide x 3/4" thick MDF Shaker style miter frame with scratch resistant laminate finish
- 1/4" thick recessed MDF center panel with low pressure laminate finish
- Pulls required (see pages 32-34)
- **Not available in Architect Series colors**



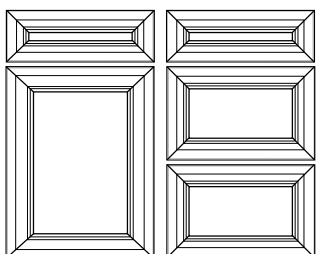
Rialto



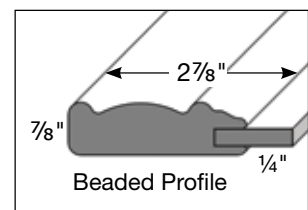
- 2³/₈" wide x 3/4" thick MDF Pillow Top miter frame with scratch resistant laminate finish
- 1/4" thick recessed MDF center panel with low pressure laminate finish
- Pulls required (see pages 32-34)
- **Not available in Architect Series colors**



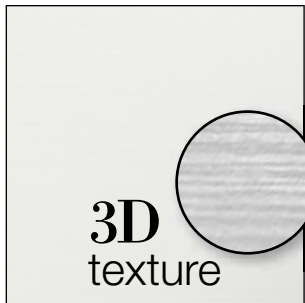
Sienna



- 2⁷/₈" wide x 7/8" thick MDF Beaded miter frame with scratch resistant laminate finish
- 1/4" thick recessed MDF center panel with low pressure laminate finish
- Pulls required (see pages 32-34)
- **Not available in Architect Series colors**



Architect Series - features 3D wood grain texture



Glacier (GL)

- 3D wood grain texture
- Bright white finish



Platinum (PL)

- 3D wood grain texture
- Warm gray wood tones



Beach (BE)

- 3D wood grain texture
- Light tan wood tones



Twilight (TW)

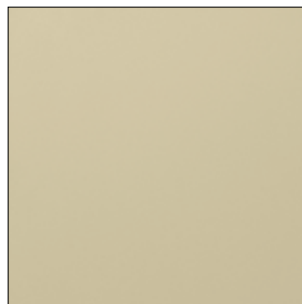
- 3D wood grain texture
- Dark espresso wood tones

Designer Series - features smooth melamine finish



Bianco (BO)

- Bright white finish



Almond (AL)

- Sophisticated almond finish



Cognac (CC)

- Horizontal wood grain design
- Warm cognac finish



Cherry (CH)

- Horizontal wood grain design
- Deep red cherry finish

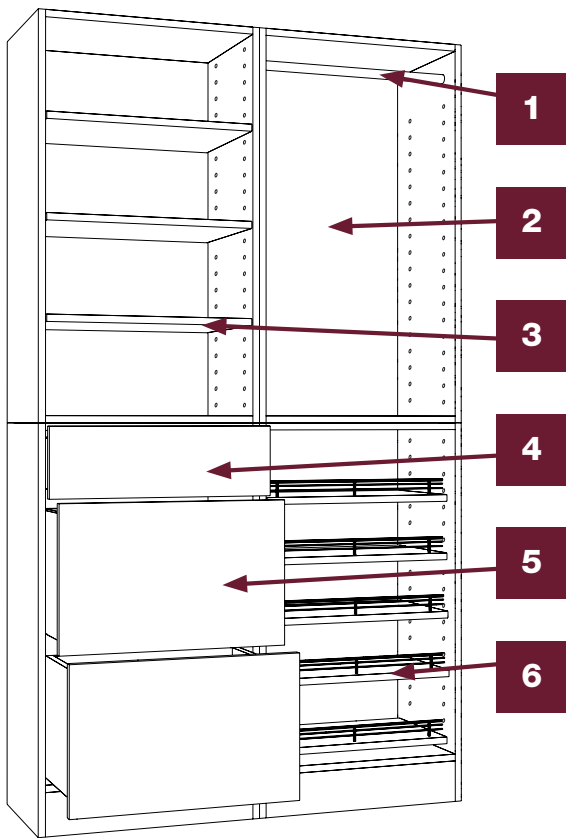


Espresso (ES)

- Horizontal wood grain design
- Dark espresso finish

all door styles are
CARB2
compliant 

Cabinet Construction



- Cabinets are 15" deep
- Cabinet depth does not include door thickness
- Products are available in all door styles unless stated otherwise
- All exposed cabinet exterior and interior have matching finish; cabinets with exposed backs will require a finish panel (p.29)

1	HANGING RODS	1-3/8" diameter rod in a satin nickel finish. Integrated plastic rod-guard for quiet movement of hangers. Anti-spin lock holds rods in place. Rods have 1/4" of clearance from shelf above.
2	CABINET	3/4" thick furniture grade particleboard sides, top & bottom finished with a durable melamine laminate on both sides. Edgebanded in matching finish. 1/4" thick captured MDF back panel in a matching finish. 3/4" thick x 4" tall installation rails on back to ensure secure attachment to wall.
3	STANDARD SHELVES	3/4" thick furniture grade particleboard finished with a durable melamine laminate. Front edgebanded in matching finish.
4	SHALLOW DRAWERS	Shallow drawers are 4 sided drawer boxes & constructed with 5/8" white melamine over particleboard that is glued and doweled with a 1/4" white melamine over MDF captured bottom. Includes full extension soft close glides. Interior drawer box dimensions are 12" deep, 4 1/4" high, and 4" less than the cabinet width. Drawer fronts are 7 1/2" high. Drawer fronts extend 14 1/2" from the face of cabinetry when fully opened.
5	DEEP DRAWERS	Deep drawers are 4 sided drawer boxes & constructed with 5/8" white melamine over particleboard that is glued and doweled with a 1/4" white melamine over MDF captured bottom. Includes full-extension soft-close glides. Interior drawer box dimensions are 12" deep, 9 1/4" high, and 4" less than the cabinet width. Drawer fronts are 15" high. Drawer fronts extend 14 1/2" from the face of cabinetry when fully opened.
6	SLIDE-OUT SHELVES	3/4" thick furniture grade particleboard finished with a durable melamine laminate on both sides. Edgebanded in matching finish. Fence rail along front edge to prevent items falling off. Epoxy-coated nylon roller runners. Shelf fronts extend 10 1/2" from the face of cabinetry when fully extended.



Specifications subject to change without notice.

How the System Works

This system features a series of fully assembled wall and base cabinetry components.

Base cabinet components stand on the floor and act as a support for wall cabinet components, forming 84" tall towers. Typically, these towers are placed in the center of the wall run and feature drawers, doors, shelves and rollouts.

Hanging rod cabinets are then used to fill the remaining wall space, as these types of components are available in a wider variety of size options.

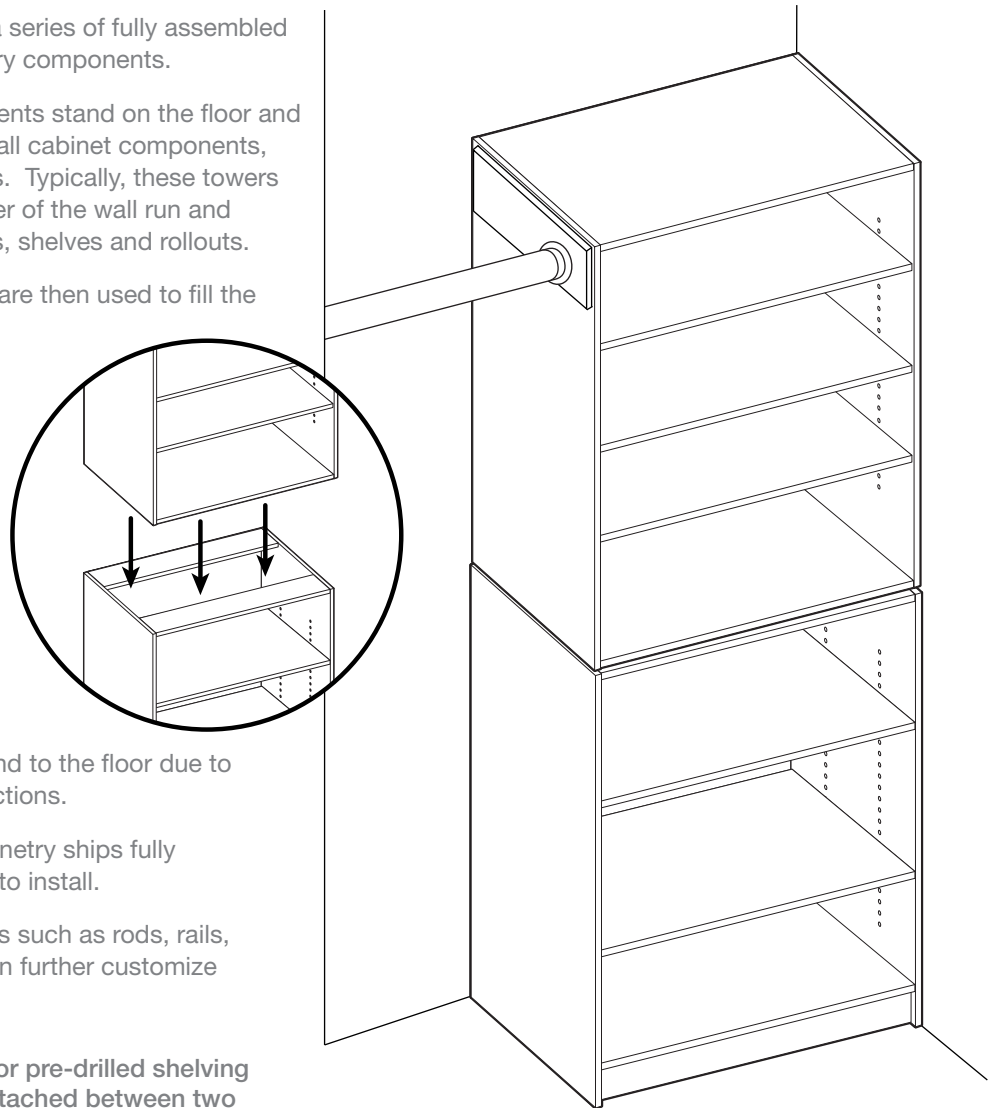
This system also features 72" high wall components with a series of drawer, shelf and rollout options. Use these wall components in place of towers where cabinetry cannot extend to the floor due to baseboards or obstructions.

All Base and Wall cabinetry ships fully assembled and ready to install.

Additional components such as rods, rails, panels and shelves can further customize storage necessities:

- Installation rails or pre-drilled shelving panels can be attached between two towers, or between a tower and wall
- Choose a combination of adjustable shelves and hanging rods to fit into the spaces between the two panels or rails

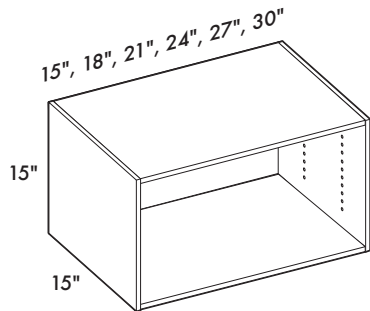
These components are field-modified and allow more flexibility for hanging rod and shelf locations



Home Decorators Collection Closets is a series of cabinetry components that can be used in various combinations to create a storage solution tailored to your needs. Cabinets are available with shelves, doors, hanging rods, rollouts and drawers. When combined with field-installed accessories, a customized ensemble can be created. Browse through this specification guide for detailed information about the various styles and options available.

Wall Cabinets

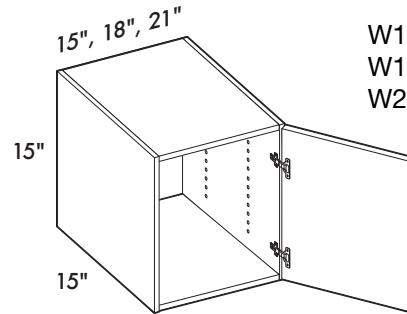
15 in. high Wall - No Door



W151515ND
W181515ND
W211515ND
W241515ND
W271515ND
W301515ND

- No adjustable shelves

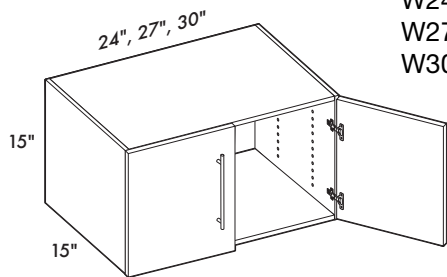
15 in. high Wall - Single Door



W151515L/R
W181515L/R
W211515L/R

- Specify: hinged Left or Right
- No adjustable shelves

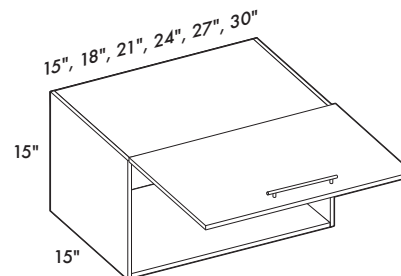
15 in. high Wall - Double Doors



W241515BT
W271515BT
W301515BT

- No adjustable shelves

15 in. high Wall - Uplift Door



W151515UL
W181515UL
W211515UL
W241515UL
W271515UL
W301515UL

- Multi-position uplift mechanism
- Soft Close feature
- No adjustable shelves

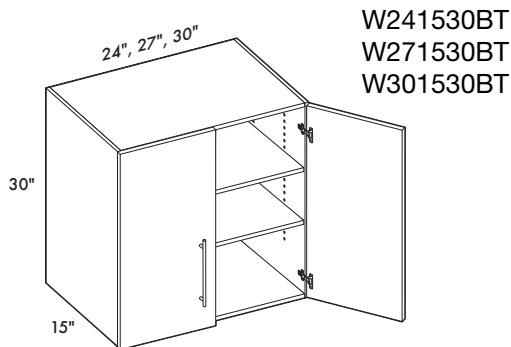
closet design tip

Planning storage for an empty space can be a bit overwhelming- we offer so many options! Here is a three-step approach to help simplify tackling that empty space:

- 1) Identify how many "limited-width" components you will need. Components with drawers, shelves, rollouts and closed-door storage are available in a limited range of widths (15", 18", 21", 24", 27" and 30"). These are generally the core storage solutions for your space.
- 2) Begin your design by placing those core items into your layout first. They form towers that act as anchors for hanging storage or wall adjustable shelves.
- 3) Once those towers have been placed, it's easy to complete your layout by filling the remaining wall space with a variety of wall hanging units, as these components are available in a wider array of sizes (15"-36" in 1/2" increments).

Look for additional Design Tips throughout this Specification Guide. They will help you create your layout and determine the best use of space in your project.

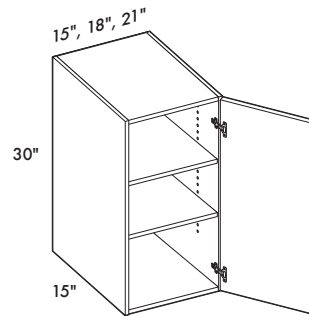
30 in. high Wall - Double Doors



W241530BT
W271530BT
W301530BT

- Two adjustable shelves

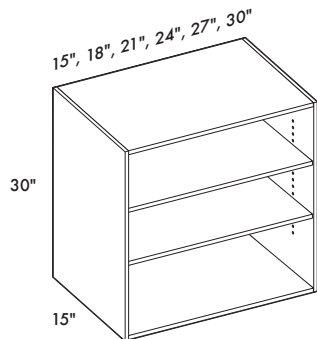
30 in. high Wall - Single Door



W151530L/R
W181530L/R
W211530L/R

- Specify: hinged Left or Right
- Two adjustable shelves

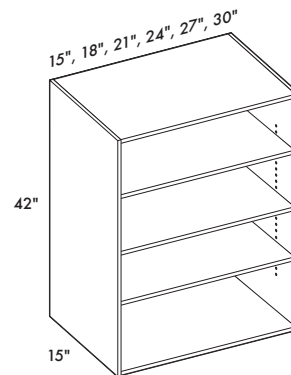
30 in. high Wall - No Door



W151530ND
W181530ND
W211530ND
W241530ND
W271530ND
W301530ND

- Two adjustable shelves

42 in. high Wall - No Door



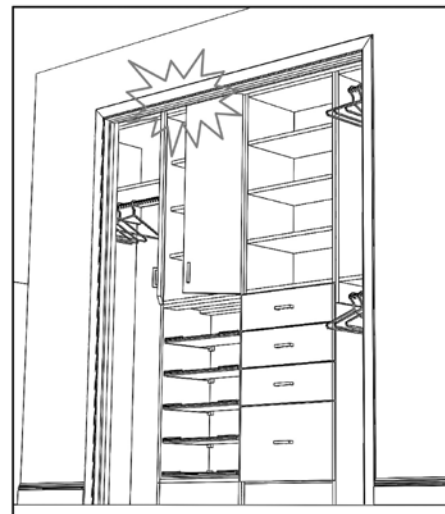
W151542ND
W181542ND
W211542ND
W241542ND
W271542ND
W301542ND

- Three adjustable shelves

closet design tip

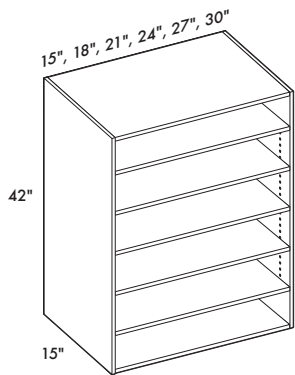
Pay special attention to the location of doorway headers when designing reach-in closets using cabinetry with doors.

Be sure to there is enough clearance for the cabinet door to open!



Wall Cabinets

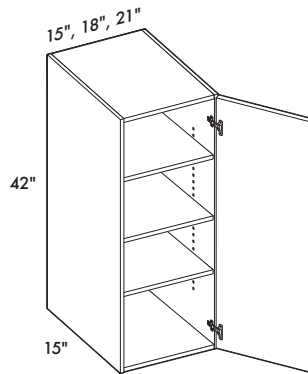
42 in. high Wall - Shoe Shelves



W151542SS
W181542SS
W211542SS
W241542SS
W271542SS
W301542SS

- Includes 5 adjustable shelves
- Space shelves 6.5" apart for shoe storage

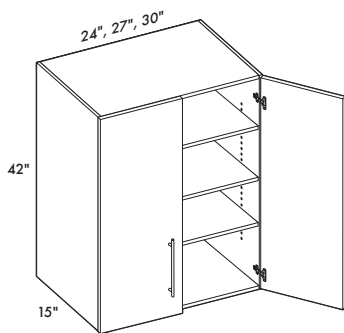
42 in. high Wall - Single Door



W151542L/R
W181542L/R
W211542L/R

- Specify: hinged Left or Right
- Three adjustable shelves

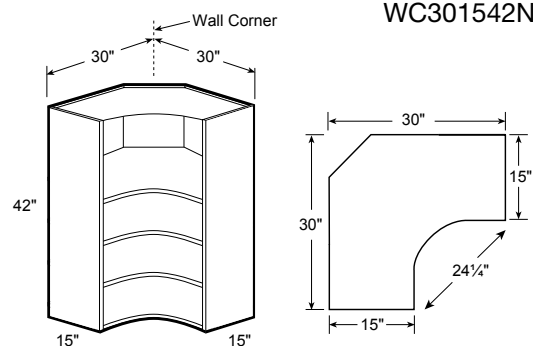
42 in. high Wall - Double Doors



W241542BT
W271542BT
W301542BT

- Three adjustable shelves

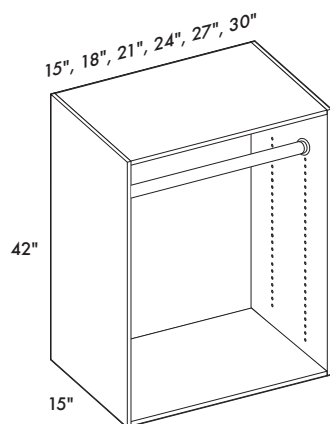
42 in. high Wall Corner - 3 Shelves



WC301542ND

- Radiused corner wall shelf cabinet
- Three adjustable shelves

42 in. high Wall - Single Hanging Rod

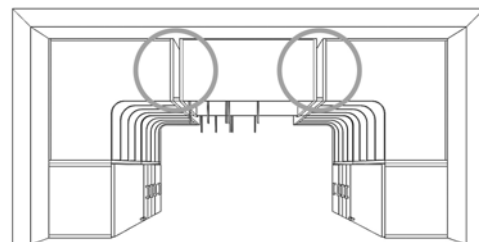


W151542HR
W181542HR
W211542HR
W241542HR
W271542HR
W301542HR

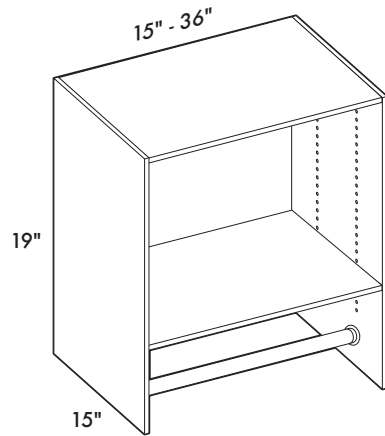
- Single 1-3/8" diameter hanging rod

closet design tip

Our Base and Wall Corner cabinetry offer full access storage from floor to ceiling. When designing a wall-to-wall run of cabinetry using a corner cabinet at each end, be sure to incorporate a filler somewhere in the run to allow for variances in wall dimensions.



19 in. high Wall - Single Hanging Rod



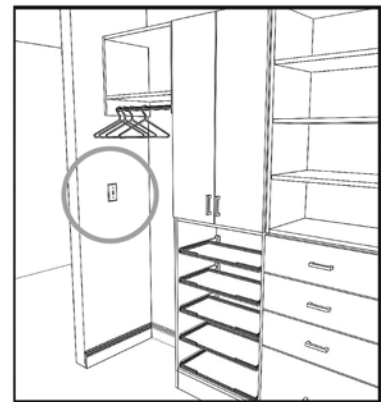
W151519HR	W20.51519HR	W261519HR	W31.51519HR
W15.51519HR	W211519HR	W26.51519HR	W321519HR
W161519HR	W21.51519HR	W271519HR	W32.51519HR
W16.51519HR	W221519HR	W27.51519HR	W331519HR
W171519HR	W22.51519HR	W281519HR	W33.51519HR
W17.51519HR	W231519HR	W28.51519HR	W341519HR
W181519HR	W23.51519HR	W291519HR	W34.51519HR
W18.51519HR	W241519HR	W29.51519HR	W351519HR
W191519 HR	W24.51519HR	W301519HR	W35.51519HR
W19.51519HR	W251519HR	W30.51519HR	W361519HR
W201519HR	W25.51519HR	W311519HR	

- Rod hangs at 67" above floor for long hanging garments
- Open cabinet with no adjustable shelf
- Available in 1/2" increments from 15" - 36" wide

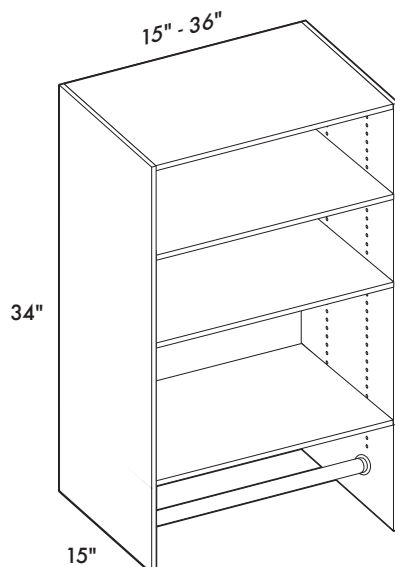
closet design tip

Take into consideration light switch locations.

These are great areas to install 19" high or 34" high long-hang wall components!



34 in. high Wall - Single Hanging Rod

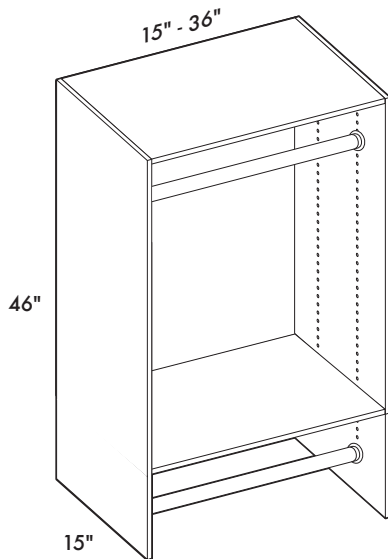


W151534HR	W20.51534HR	W261534HR	W31.51534HR
W15.51534HR	W211534HR	W26.51534HR	W321534HR
W161534HR	W21.51534HR	W271534HR	W32.51534HR
W16.51534HR	W221534HR	W27.51534HR	W331534HR
W171534HR	W22.51534HR	W281534HR	W33.51534HR
W17.51534HR	W231534HR	W28.51534HR	W341534HR
W181534HR	W23.51534HR	W291534HR	W34.51534HR
W18.51534HR	W241534HR	W29.51534HR	W351534HR
W191534HR	W24.51534HR	W301534HR	W35.51534HR
W19.51534HR	W251534HR	W30.51534HR	W361534HR
W201534HR	W25.51534HR	W311534HR	

- Rod hangs at 52" above floor for medium hanging garments
- Two adjustable shelves
- Available in 1/2" increments from 15" - 36" wide

Wall Cabinets

46 in. high Wall - Double Hanging Rod

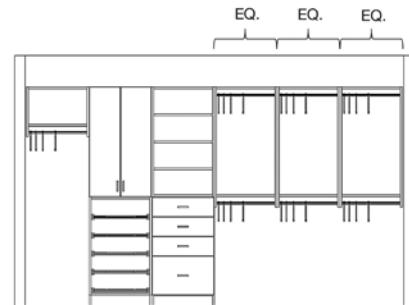


W151546DHR	W20.51546DHR	W261546DHR	W31.51546DHR
W15.51546DHR	W211546DHR	W26.51546DHR	W321546DHR
W161546DHR	W21.51546DHR	W271546DHR	W32.51546DHR
W16.51546DHR	W221546DHR	W27.51546DHR	W331546DHR
W171546DHR	W22.51546DHR	W281546DHR	W33.51546DHR
W17.51546DHR	W231546DHR	W28.51546DHR	W341546DHR
W181546DHR	W23.51546DHR	W291546DHR	W34.51546DHR
W18.51546DHR	W241546DHR	W29.51546DHR	W351546DHR
W191546DHR	W24.51546DHR	W301546DHR	W35.51546DHR
W19.51546DHR	W251546DHR	W30.51546DHR	W361546DHR
W201546DHR	W25.546DHR	W311546DHR	

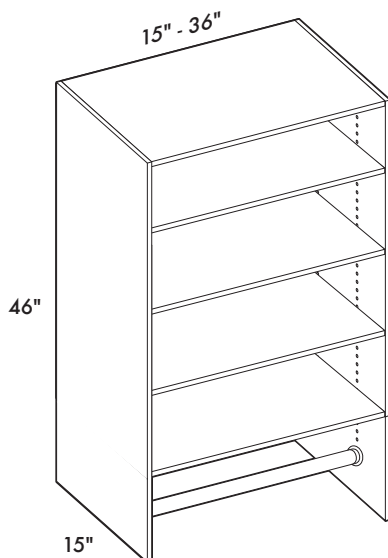
- Two hanging rods for standard hanging
- Available in 1/2" widths from 15" - 36" wide
- Hanging space below upper rod is 37 1/2"
- Hanging space from lower rod to floor is 38 1/2"

closet design tip

Our wall hanging cabinets are sized in 1/2" increments for greater design flexibility. When planning sections of wall hanging, keep a more uniform appearance by dividing the hanging space with cabinetry components of equal width.



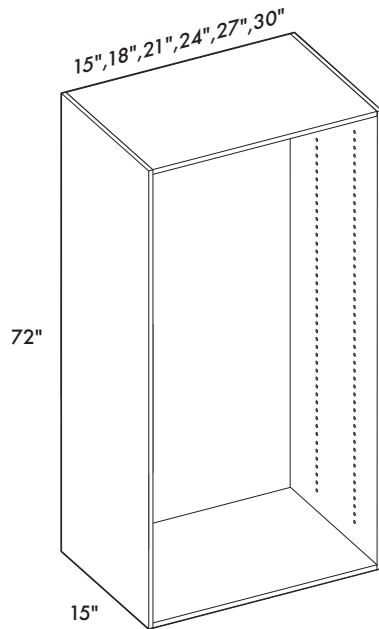
46 in. high Wall - Single Hanging Rod



W151546HR	W20.51546HR	W261546HR	W31.51546HR
W15.51546HR	W211546HR	W26.51546HR	W321546HR
W161546HR	W21.51546HR	W271546HR	W32.51546HR
W16.51546HR	W221546HR	W27.51546HR	W331546HR
W171546HR	W22.51546HR	W281546HR	W33.51546HR
W17.51546HR	W231546HR	W28.51546HR	W341546HR
W181546HR	W23.51546HR	W291546HR	W34.51546HR
W18.51546HR	W241546HR	W29.51546HR	W351546HR
W191546HR	W24.51546HR	W301546HR	W35.51546HR
W19.51546HR	W251546HR	W30.51546HR	W361546HR
W201546HR	W25.546HR	W311546HR	

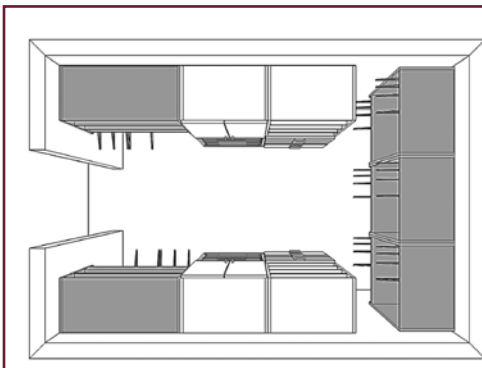
- Single hanging rod for standard hanging
- Three adjustable shelves
- Available in 1/2" widths from 15" - 36" wide
- Hanging space below rod to floor is 38 1/2"

72 in. high Wall Cabinet - Open



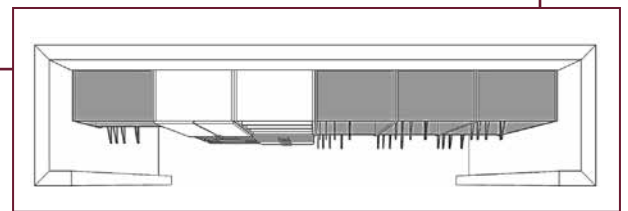
W151572
W181572
W211572
W241572
W271572
W301572

- Open cabinet allows custom interior configurations using shelf kits (p.26), roll-out shelves (p.26), and closet rods (p.30)
- Install at 12" above floor
- Attachment rail at top, middle and bottom. Due to weight, cabinets must be securely attached to wall studs in multiple locations per rail.

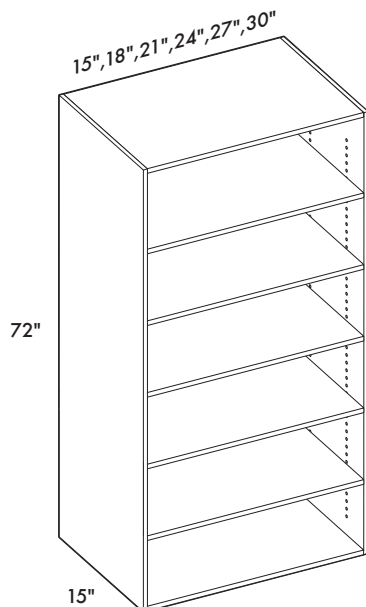


closet design tip

When planning storage solutions for both reach-in closets and walk-in closets, locate hanging cabinetry components toward the back end and outside corners of the spaces.



72 in. high Wall Cabinet - No Doors

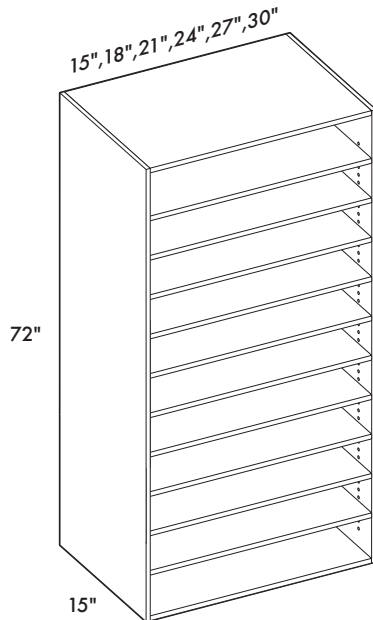


W151572ND
W181572ND
W211572ND
W241572ND
W271572ND
W301572ND

- Install at 12" above floor
- Five adjustable shelves
- Attachment rail at top, middle and bottom. Due to weight, cabinets must be securely attached to wall studs in multiple locations per rail.

Wall Cabinets

72 in. high Wall Cabinet - Shoe Shelves

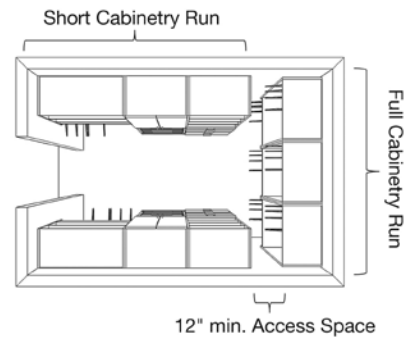


W151572SS
 W181572SS
 W211572SS
 W241572SS
 W271572SS
 W301572SS

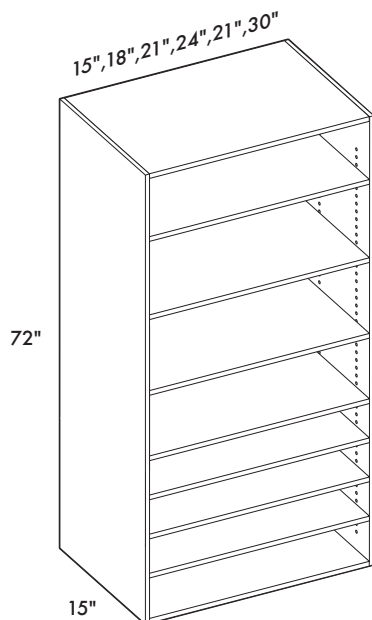
- Install at 12" above floor
- Position shelves 6.5" apart for shoe storage
- Ten adjustable shelves
- Attachment rail at top, middle and bottom. Due to weight, cabinets must be securely attached to wall studs in multiple locations per rail.

closet design tip

When designing a rectangular shaped closet, maximize the useable space by 'filling' the shorter wall, and 'shorting' the longer wall. (Be sure to leave 12" of access space between cabinetry in corners.)



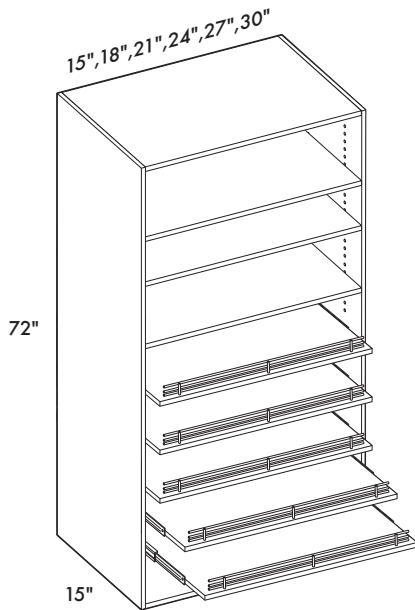
72 in. high Wall Cabinet - Half Shoe Shelves



W151572HS
 W181572HS
 W211572HS
 W241572HS
 W271572HS
 W301572HS

- Install at 12" above floor
- Seven adjustable shelves
- Position shelves 6.5" apart for shoe storage
- Attachment rail at top, middle and bottom. Due to weight, cabinets must be securely attached to wall studs in multiple locations per rail.

72 in. high Wall Cabinet - 5 Slide-Out Shoe Shelves

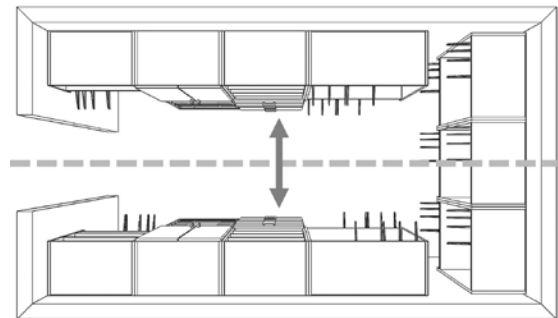


W1515725SO
 W1815725SO
 W2115725SO
 W2415725SO
 W2715725SO
 W3015725SO

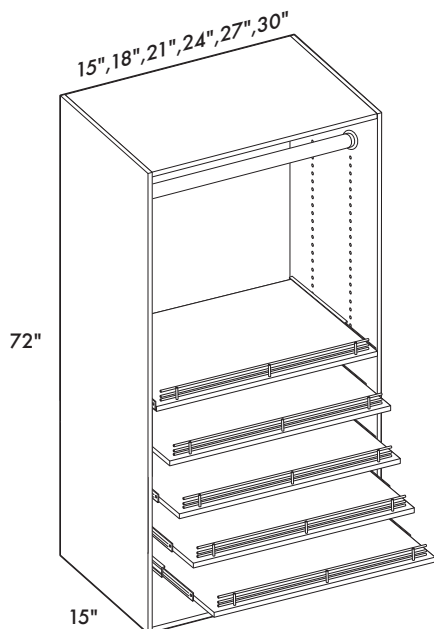
- Install at 12" above floor
- Attachment rail at top, middle and bottom
- Five re-locatable slide out shelves
- Three adjustable shelves

closet design tip

When designing a closet-for-two; begin by dividing the space in half, and duplicating identical components in both sections to achieve equal storage for both parties. It will be easier to adjust individual storage percentages when the layout begins as 50/50.



72 in. high Wall Cabinet - Hanging - Slideout Shelves

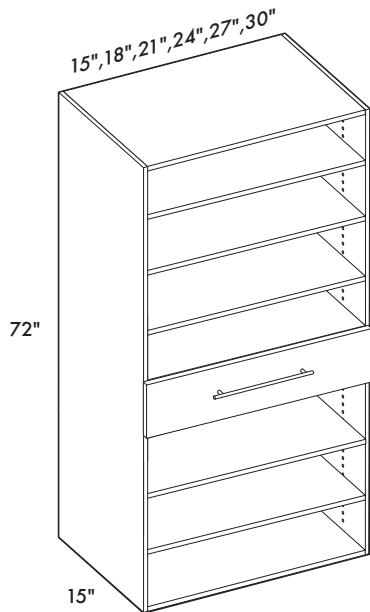


W151572HSO
 W181572HSO
 W211572HSO
 W241572HSO
 W271572HSO
 W301572HSO

- Install at 12" above floor
- Five re-locatable slide out shelves
- Single hanging rod for standard or short hanging
- Attachment rail at top, middle and bottom. Due to weight, cabinets must be securely attached to wall studs in multiple locations per rail.

Wall Cabinets

72 in. high Wall Cabinet - 1 Drawer



W1D151572
W1D181572
W1D211572
W1D241572
W1D271572
W1D301572

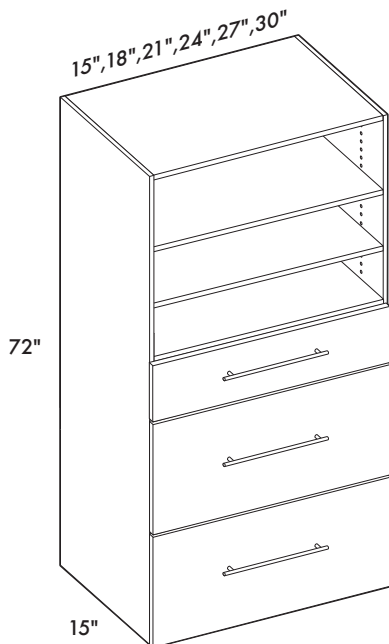
- Install at 12" above floor
- One 7½" drawer front with shallow 4¼" interior drawer box
- Five adjustable shelves one fixed center shelf
- Attachment rail at top, middle and bottom. Due to weight, cabinets must be securely attached to wall studs in multiple locations per rail.

closet design tip

Our units may be installed away from the wall on horizontal furring strips (purchased locally) mounted to studs. This option works great in spaces such as rental homes or apartments where baseboard moldings cannot be removed.



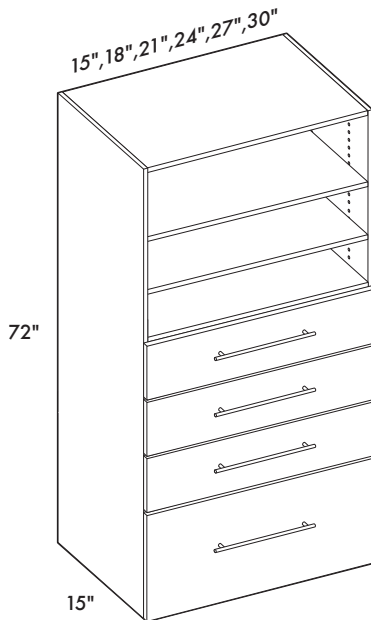
72 in. high Wall Cabinet - 3 Drawer



W3D151572
W3D181572
W3D211572
W3D241572
W3D271572
W3D301572

- Install at 12" above floor
- One 7½" drawer front with shallow 4¼" interior drawer box
- Two 15" drawer fronts with deep 9¼" interior drawer boxes
- Two adjustable shelves and one fixed center shelf
- Attachment rail at top, middle and bottom. Due to weight, cabinets must be securely attached to wall studs in multiple locations per rail.

72 in. high Wall Cabinet - 4 Drawer



W4D151572
 W4D181572
 W4D211572
 W4D241572
 W4D271572
 W4D301572

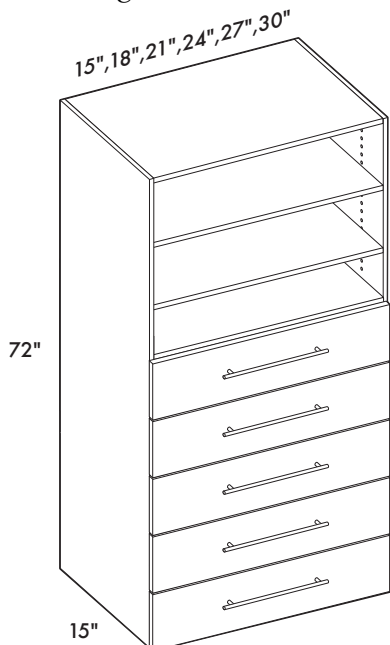
- Install at 12" above floor
- Three 7½" drawer fronts with shallow 4¼" interior drawer boxes
- Two adjustable shelves and one fixed center shelf
- One 15" drawer front with deep 9¼" interior drawer box
- Attachment rail at top, middle and bottom. Due to weight, cabinets must be securely attached to wall studs in multiple locations per rail.

closet design tip

Pay special attention to the type of structural doors on a reach-in closet. Bypass and Bi-Fold closet doors require units with drawers/rollouts to be located differently to accommodate drawer extension.



72 in. high Wall Cabinet - 5 Drawer

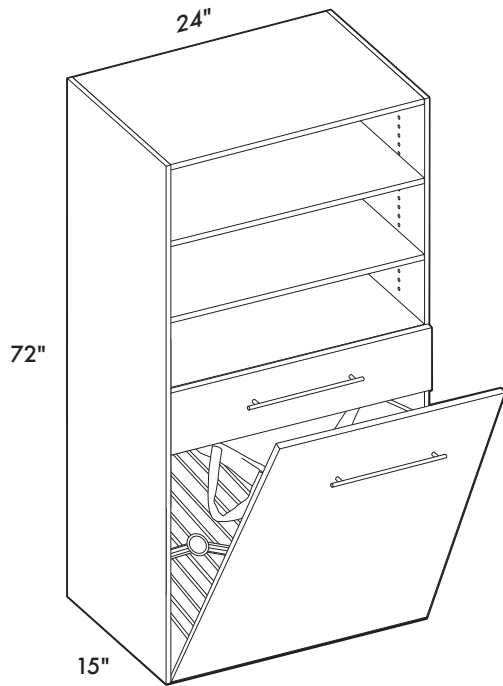


W5D151572
 W5D181572
 W5D211572
 W5D241572
 W5D271572
 W5D301572

- Install at 12" above floor
- Five 7½" drawer fronts with shallow 4¼" interior drawer boxes
- Two adjustable shelves and one fixed center shelf
- Attachment rail at top, middle and bottom. Due to weight, cabinets must be securely attached to wall studs in multiple locations per rail.

Wall Cabinets

72 in. high Wall Cabinet - Hamper

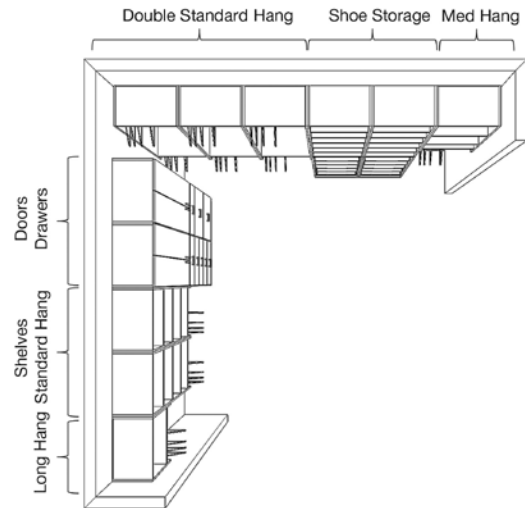


W241572HP

- Install at 12" above floor
- One 30" high tilt-out door with removable wire hamper basket and linen laundry bag
- Two adjustable shelves and one fixed center shelf
- One 7½" drawer front with shallow 4¼" interior drawer box
- Attachment rail at top, middle and bottom. Due to weight, cabinets must be securely attached to wall studs in multiple locations per rail.

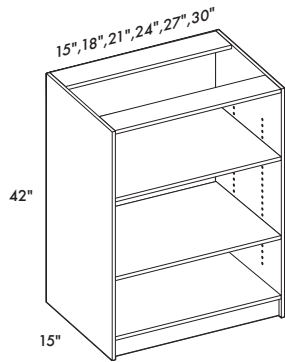
closet design tip

When planning storage solutions for a large master closet, group like components together in sections. This will achieve a more organized look through visual continuity.



42 in. Base Cabinets

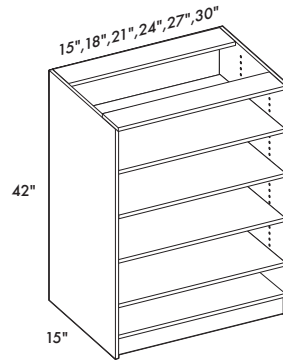
42 in. high Base - No Door



B151542ND
 B181542ND
 B211542ND
 B241542ND
 B271542ND
 B301542ND

- Two adjustable shelves

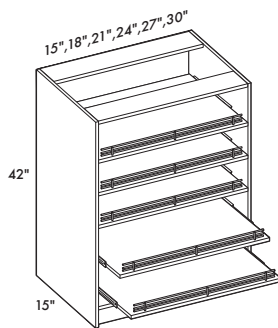
42 in. high Base - 4 Shelves



B151542SS
 B181542SS
 B211542SS
 B241542SS
 B271542SS
 B301542SS

- Four adjustable shelves
- Position shelves 6.5" apart for shoe storage

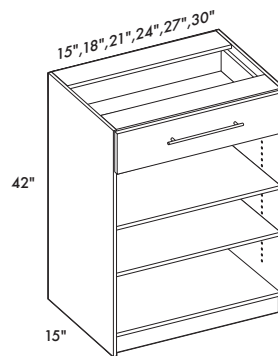
42 in. high Base - 5 Slideout Shelves



B1515425SO
 B1815425SO
 B2115425SO
 B2415425SO
 B2715425SO
 B3015425SO

- Five slide-out shelves
- Epoxy-coated nylon roller runners
- Brushed nickel fences

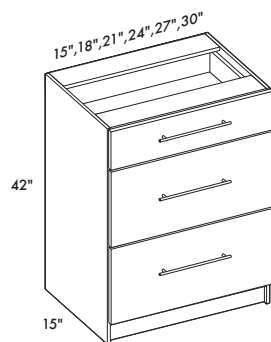
42 in. high Base - 1 Drawer



B1D151542
 B1D181542
 B1D211542
 B1D241542
 B1D271542
 B1D301542

- Two adjustable shelves
- One 7½" drawer front with shallow 4¼" interior drawer box

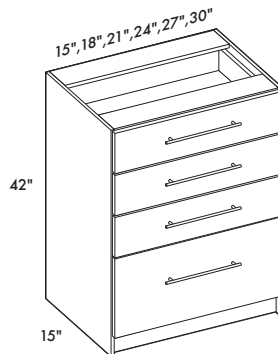
42 in. high Base - 3 Drawers



B3D151542
 B3D181542
 B3D211542
 B3D241542
 B3D271542
 B3D301542

- One 7½" drawer front with shallow 4¼" interior drawer box
- Two 15" drawer fronts with deep 9 1/4" interior drawer boxes

42 in. high Base - 4 Drawers

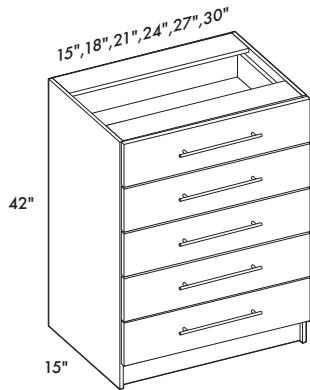


B4D151542
 B4D181542
 B4D211542
 B4D241542
 B4D271542
 B4D301542

- Three 7½" drawer fronts with shallow 4¼" interior drawer boxes
- One 15" drawer front with deep 9¼" interior drawer box

42 in. Base Cabinets

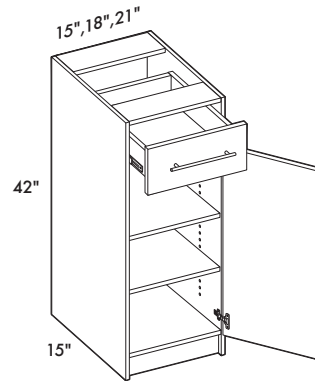
42 in. high Base - 5 Drawers



B5D151542
B5D181542
B5D211542
B5D241542
B5D271542
B5D301542

- Five 7½" drawer fronts with shallow 4¼" interior drawer boxes

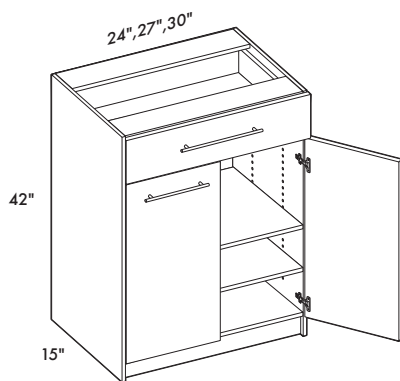
42 in. high Base Single Door with Drawer



B151542L/R
B181542L/R
B211542L/R

- Specify: hinged Left or Right
- Two adjustable shelves
- One 7½" drawer front with shallow 4¼" interior drawer box
- One 30" high door

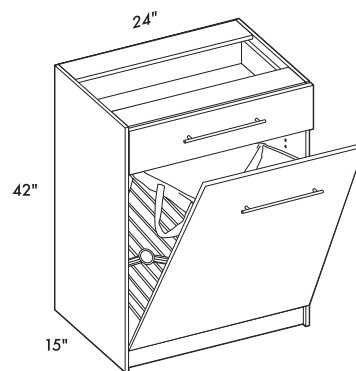
42 in. high Base Double Doors with Drawer



B241542BT
B271542BT
B301542BT

- Two adjustable shelves
- One 7½" drawer front with shallow 4¼" interior drawer box
- Two 30" high doors

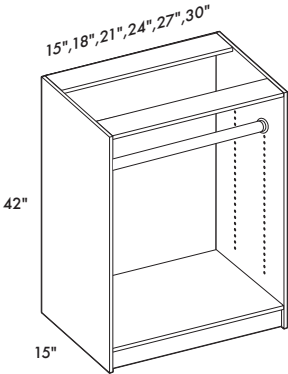
42 in. high Base Hamper Tilt-Out



B241542HP

- One 7½" drawer front with shallow 4¼" interior drawer box
- One 30" high tilt-out door with removable wire hamper basket and linen laundry bag

42 in. high Base Single Hanging Rod

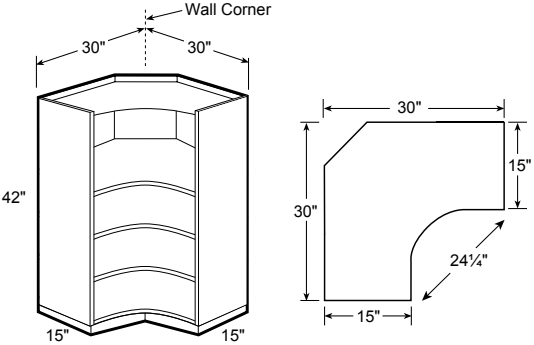


B151542HR
B181542HR
B211542HR
B241542HR
B271542HR
B301542HR

- Single hanging rod for standard or short hanging

42 in. high Base Corner - 3 Shelves

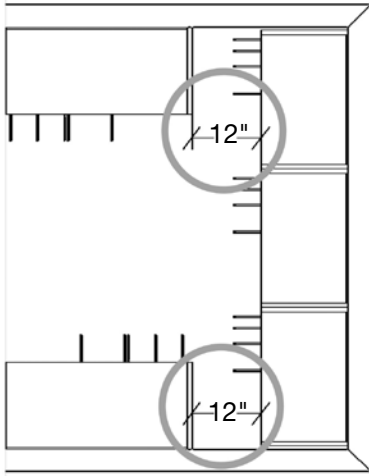
BC301542ND



- Radiused corner base shelf cabinet
- Three adjustable shelves
- Toe-kick below bottom shelf is not radiused

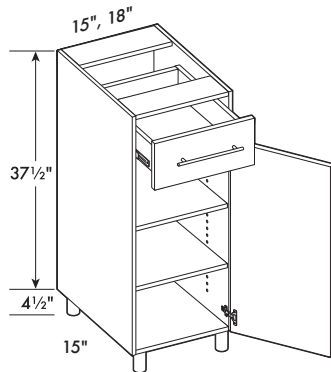
closet design tip

When turning corners with standard cabinetry components, remember to leave a 12" access clearance between the face of one run, and the end of the perpendicular run.



42 in. Base Cabinets with legs

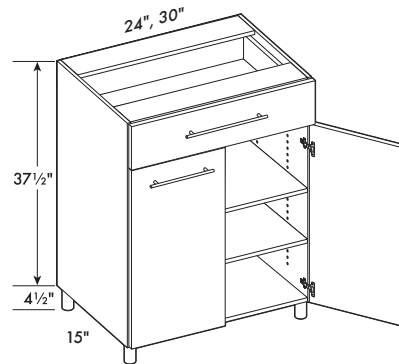
42 in. high Base Single Door with Drawer



BS151542L/R
BS181542L/R

- Specify: hinged Left or Right
- One 7 1/2" drawer front with shallow 4 1/4" interior drawer box
- Two adjustable shelves
- Four brushed steel legs adjust 4 1/2" to 5"

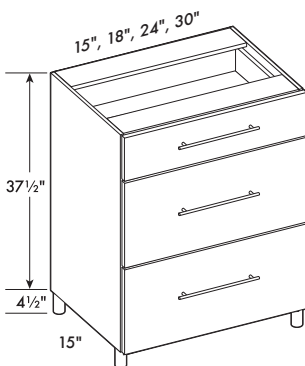
42 in. high Base Double Doors with Drawer



BS241542BT
BS301542BT

- Two adjustable shelves
- Four brushed steel legs adjust 4 1/2" to 5"
- One 7 1/2" drawer front with shallow 4 1/4" interior drawer box
- Two 30" high doors

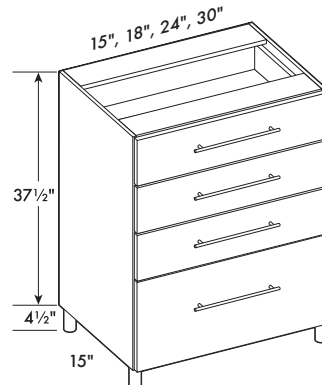
42 in. high Base - 3 Drawers



BS3D151542
BS3D181542
BS3D241542
BS3D301542

- One 7 1/2" drawer front with shallow 4 1/4" interior drawer box
- Four brushed steel legs adjust 4 1/2" to 5"
- Two 15" drawer fronts with deep 9 1/4" interior drawer boxes

42 in. high Base - 4 Drawers

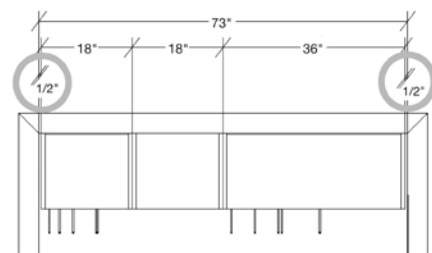


BS4D151542
BS4D181542
BS4D241542
BS4D301542

- Three 7 1/2" drawer fronts with shallow 4 1/4" interior drawer boxes
- Four brushed steel legs adjust 4 1/2" to 5"
- One 15" drawer front with deep 9 1/4" interior drawer box

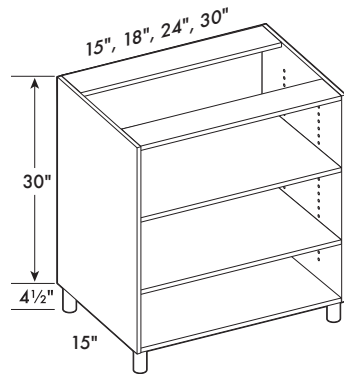
closet
design tip

Leave at least 1/2" of empty space on either end of a wall-to-wall run of cabinetry. This will help to accommodate variances in wall dimensions and allow easier installation.



34 in. Base Cabinets with legs

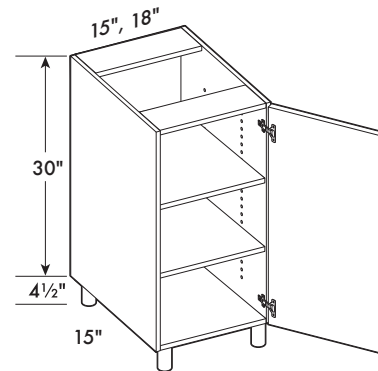
34 in. high Base - No Door



BS151534ND
BS181534ND
BS241534ND
BS301534ND

- Two adjustable shelves
- Four brushed steel legs adjust 4½" to 5"

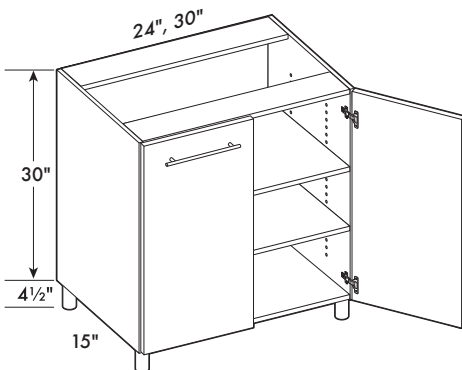
34 in. high Base Single Door



BS151534L/R
BS181534L/R

- Specify: hinged Left or Right
- One 30" high door
- Two adjustable shelves
- Four brushed steel legs adjust 4½" to 5"

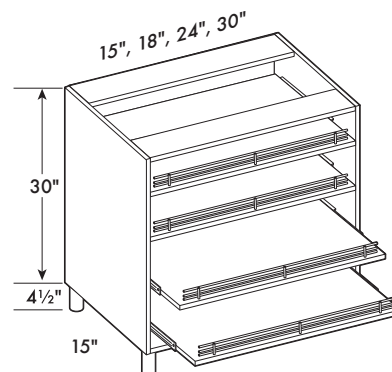
34 in. high Base Double Doors



BS241534BT
BS301534BT

- Two adjustable shelves
- Two 30" high doors
- Four brushed steel legs adjust 4½" to 5"

34 in. high Base 4 Slideout Shelves

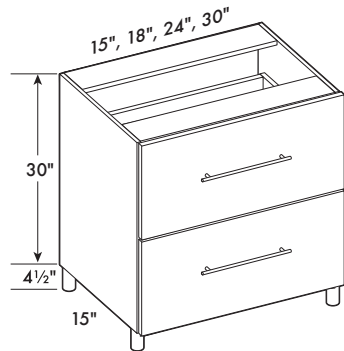


BS1515344SO
BS1815344SO
BS2415344SO
BS3015344SO

- Four slide-out shelves
- Brushed nickel fences
- Epoxy-coated nylon roller runners
- Four brushed steel legs adjust 4½" to 5"

34 in. Base Cabinets with legs

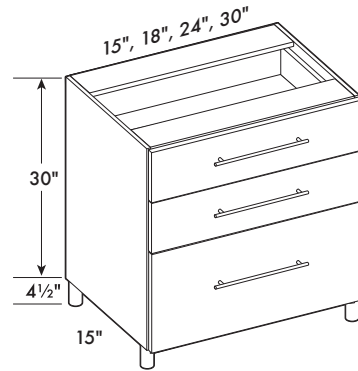
34 in. high Base - 2 Drawers



BS2D151534
BS2D181534
BS2D241534
BS2D301534

- Two 15" drawer fronts with deep 9 1/4" interior drawer boxes
- Four brushed steel legs adjust 4 1/2" to 5"

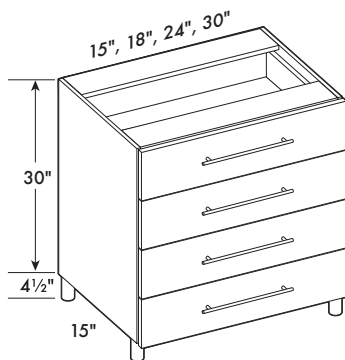
34 in. high Base - 3 Drawers



BS3D151534
BS3D181534
BS3D241534
BS3D301534

- Two 7 1/2" drawer fronts with shallow 4 1/4" interior drawer boxes
- Four brushed steel legs adjust 4 1/2" to 5"
- One 15" drawer front with deep 9 1/4" interior drawer box

34 in. high Base - 4 Drawers

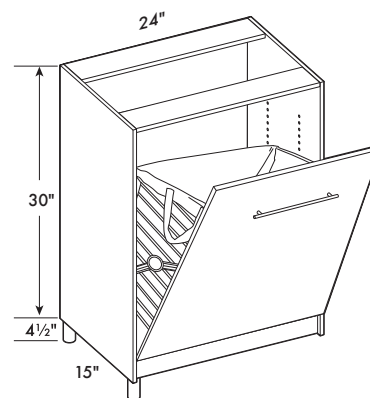


BS4D151534
BS4D181534
BS4D241534
BS4D301534

- Four 7 1/2" drawer fronts with shallow 4 1/4" interior drawer boxes
- Four brushed steel legs adjust 4 1/2" to 5"

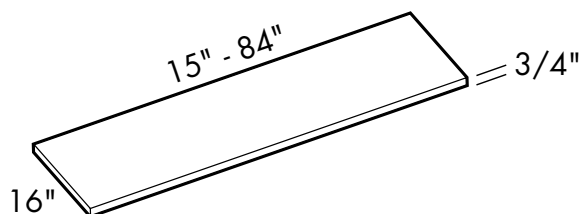
34 in. high Base Hamper Tilt-Out

BS241534HP



- One 30" high tilt-out door with removable wire hamper basket and linen laundry bag
- Four brushed steel legs adjust 4 1/2" to 5"

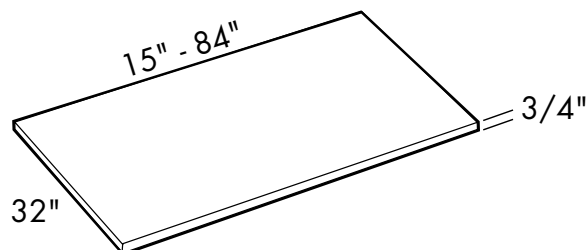
16 in. x 15-84 in. Countertops



- 3/4" furniture grade particleboard
- Thick 3mm edgebanding on all sides
- Use to create a countertop with 1" overhang on base or wall cabinets
- Available in 1" increments from 15" - 84"

CT1516	CT4116	CT6716
CT1616	CT4216	CT6816
CT1716	CT4316	CT6916
CT1816	CT4416	CT7016
CT1916	CT4516	CT7116
CT2016	CT4616	CT7216
CT2116	CT4716	CT7316
CT2216	CT4816	CT7416
CT2316	CT4916	CT7516
CT2416	CT5016	CT7616
CT2516	CT5116	CT7716
CT2616	CT5216	CT7816
CT2716	CT5316	CT7916
CT2816	CT5416	CT8016
CT2916	CT5516	CT8116
CT3016	CT5616	CT8216
CT3116	CT5716	CT8316
CT3216	CT5816	CT8416
CT3316	CT5916	
CT3416	CT6016	
CT3516	CT6116	
CT3616	CT6216	
CT3716	CT6316	
CT3816	CT6416	
CT3916	CT6516	
CT4016	CT6616	

32 in. x 15-84 in. Countertops



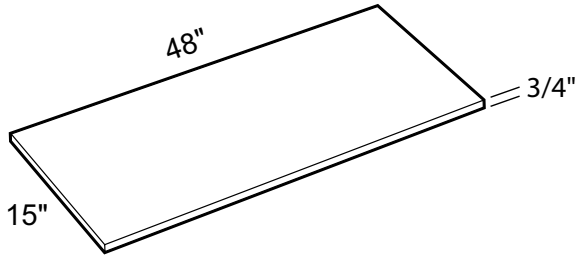
- 3/4" furniture grade particleboard
- Thick 3mm edgebanding on all sides
- Covers base cabinets installed back-to-back as an island. Provides a 1" overhang on all sides.
- Available in 1" increments from 15" - 84"

CT1532	CT4132	CT6732
CT1632	CT4232	CT6832
CT1732	CT4332	CT6932
CT1832	CT4432	CT7032
CT1932	CT4532	CT7132
CT2032	CT4632	CT7232
CT2132	CT4732	CT7332
CT2232	CT4832	CT7432
CT2332	CT4932	CT7532
CT2432	CT5032	CT7632
CT2532	CT5132	CT7732
CT2632	CT5232	CT7832
CT2732	CT5332	CT7932
CT2832	CT5432	CT8032
CT2932	CT5532	CT8132
CT3032	CT5632	CT8232
CT3132	CT5732	CT8332
CT3232	CT5832	CT8432
CT3332	CT5932	
CT3432	CT6032	
CT3532	CT6132	
CT3632	CT6232	
CT3732	CT6332	
CT3832	CT6432	
CT3932	CT6532	
CT4032	CT6632	

Accessories

48 in. x 15 in. Furniture Shelf

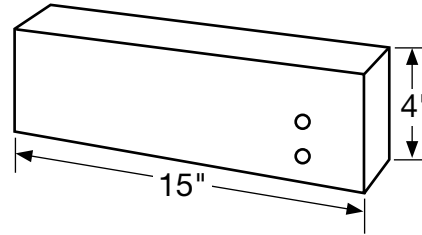
TFS4815



- 3/4" furniture grade particleboard
- Trim to size
- Four metal shelf rests included
- Used as shelf between 2 cabinets or between a cabinet and wall
- Requires 2 (CRIR) Closet Rod Installation Rails for support

Closet Rod Installation Rail

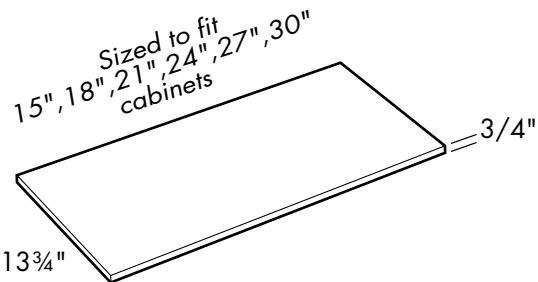
CRIR



- 3/4" furniture grade particleboard
- Closet rod mounting holes
- Use to install closet rod brackets and support wall furniture shelves
- Sold individually

Cabinet Interior Shelf Kit

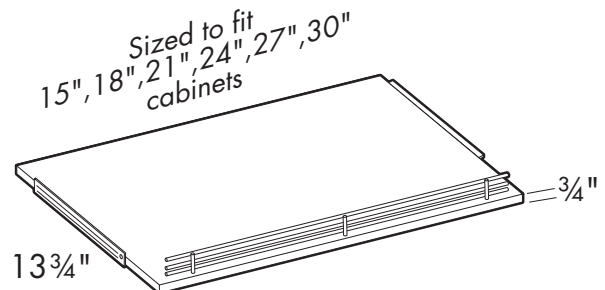
SK1515
SK1815
SK2115
SK2415
SK2715
SK3015



- 3/4" furniture grade particleboard
- Shelf pins included
- For use inside a cabinet

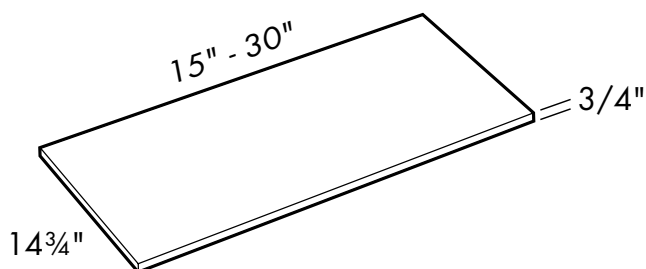
Roll-Out Shelf Kits

SOS1515
SOS1815
SOS2115
SOS2415
SOS2715
SOS3015



- 3/4" furniture grade particleboard
- Brushed nickel fence
- Epoxy coated nylon runners included
- For use inside cabinets without doors

15 - 30 in. Wall Adjustable Shelf

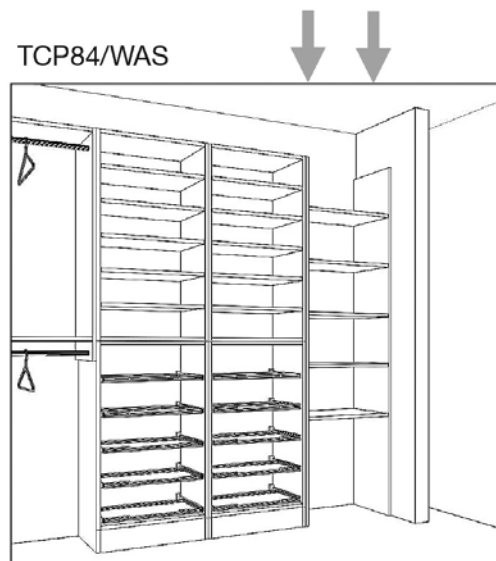
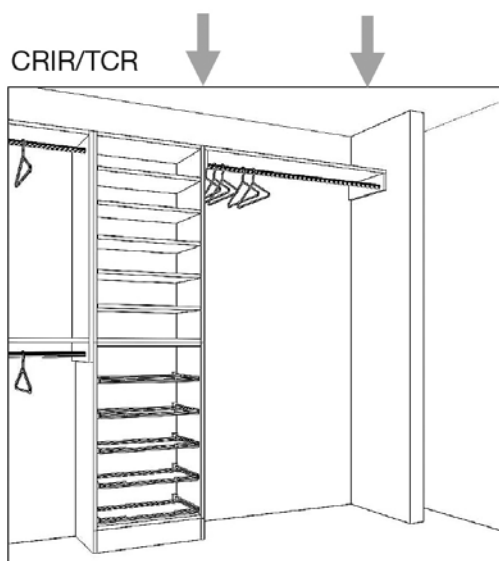


WAS1515	WAS20.515	WAS25.515
WAS15.515	WAS2115	WAS2615
WAS1615	WAS21.515	WAS26.515
WAS16.515	WAS2215	WAS2715
WAS1715	WAS22.515	WAS27.515
WAS17.515	WAS2315	WAS2815
WAS1815	WAS23.515	WAS28.515
WAS18.515	WAS2415	WAS2915
WAS1915	WAS24.515	WAS29.515
WAS19.515	WAS2515	WAS3015
WAS2015		

- ¾" furniture grade particle board
- Available in ½" increments
- Use to create adjustable shelving between two vertical support panels (p.29)
- Four metal shelf rests included
- Not for use inside a cabinet

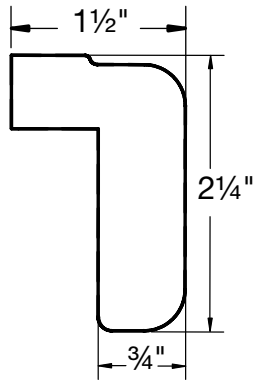
closet design tip

Remember to include Closet Rod Installation Rails (CRIR) or Tall Closet Panels (TCP) when placing a Closet Rod (TCR) or Wall Adjustable Shelves (WAS) between two towers, or between a tower and a wall.



Accessories

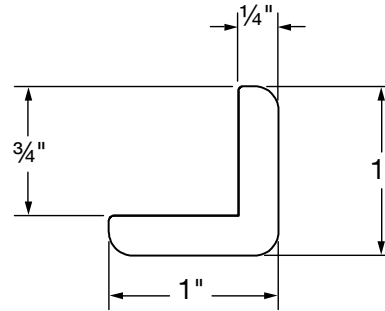
96 in. Light Rail



LR96

- 96" long
- MDF core wrapped with matching laminate
- Includes under-mount installation tab
- * Not available in Architect Series or Almond finish

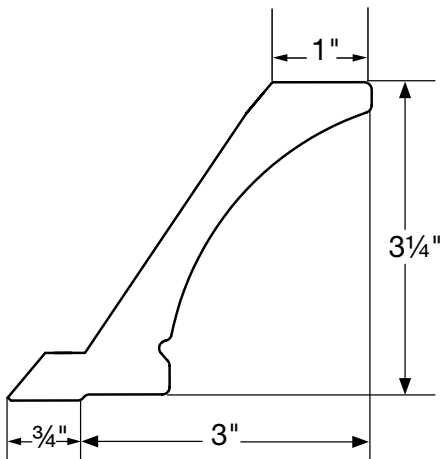
96 in. Outside Corner Molding



OCM96

- 96" long
- MDF core wrapped with matching laminate
- * Not available in Architect Series or Almond finish

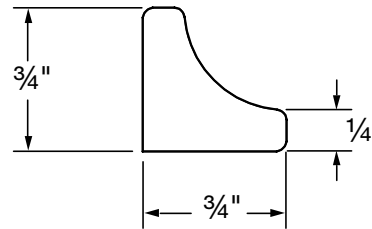
96 in. Cove Molding



CM96

- 96" long
- MDF core wrapped with matching laminate
- Includes top-mount installation tab
- * Not available in Architect Series

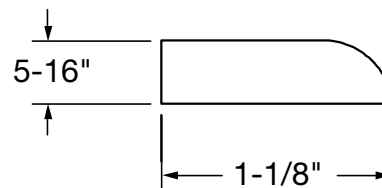
96 in. Inside Corner Molding



ICM96

- 96" long
- MDF core wrapped with matching laminate
- * Not available in Architect Series or Almond finish

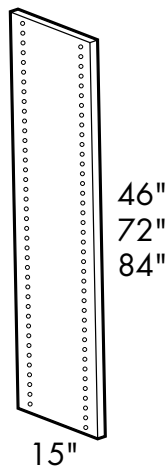
96 in. Scribe Molding



SM96

- 96" long
- MDF core wrapped with matching laminate
- * Not available in Architect Series or Almond finish

15 in. Deep Support Panel



TCP1546
TCP1572
TCP1584

- 32mm (1¼") system drilled
- Must be installed against a cabinet or a wall
- Use as vertical supports for Wall Adjustable Shelving (p.27)

6 in. Filler Strips

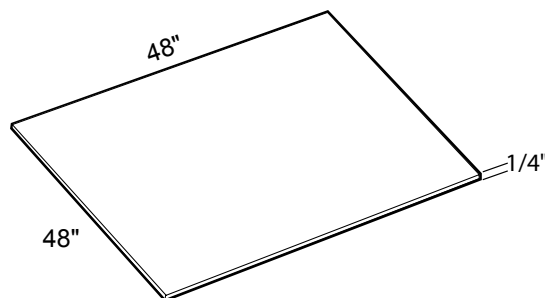


FS0630
FS0642
FS0684

- Trim to size

48 in. x 48 in. Decorative Panel

- ¼" thick laminated MDF
- Use to cover the exposed unfinished backs of base cabinets in islands
- Field cut to desired size



PL4848

closet design tip

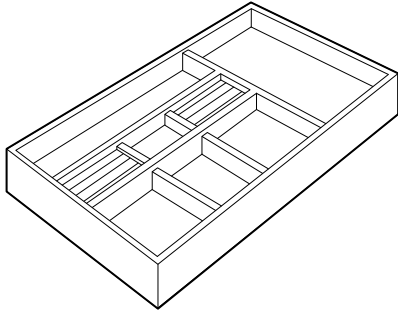
When adding the Slide-Out Belt Rack (SOBR-SN) accessory to your design, be sure to locate it on the outside of a cabinet box where it can be installed 54" above the floor.

The Slide-Out Tie Rack (SOTR-SN) accessory may be located on the outside OR the inside of a standard hanging cabinet and still function properly.



Accessories

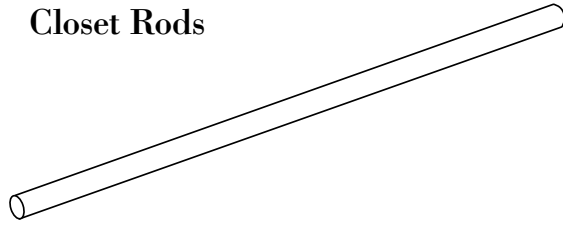
Jewelry Tray Insert



JTI24
JTI30

- Available in 24" and 30"
- 8 compartments
- Soft black velvet covering
- Fits inside shallow-depth drawers

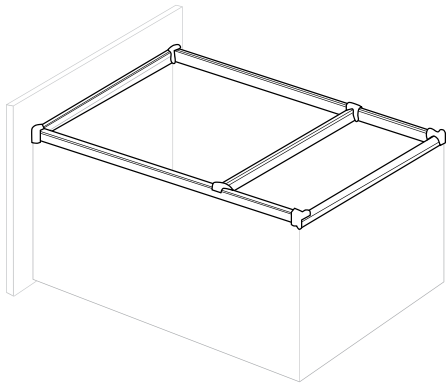
15 - 30 in. Closet Rods



- Available in 1/2" increments
- Use to provide hanging between two cabinets or a cabinet and a wall (requires CRIR p.26 or TCP p.29)
- Brackets included
- Use interior cabinet width to determine closet rod length

TCR15	TCR19	TCR23	TCR27
TCR15.5	TCR19.5	TCR23.5	TCR27.5
TCR16	TCR20	TCR24	TCR28
TCR16.5	TCR20.5	TCR24.5	TCR28.5
TCR17	TCR21	TCR25	TCR29
TCR17.5	TCR21.5	TCR25.5	TCR29.5
TCR18	TCR22	TCR26	TCR30
TCR18.5	TCR22.5	TCR26.5	TCR48

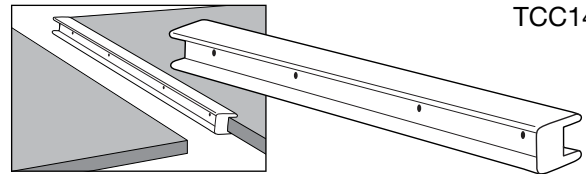
Hanging File Frame



HFF18
HFF24

- Available for 18" and 24" wide deep drawers
- Rests on top of drawer box
- Accommodates letter or legal size hanging file folders

Shelf Corner Connector

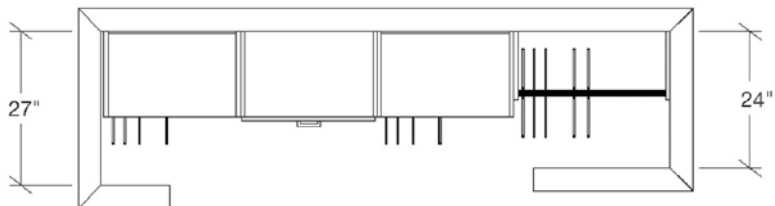


TCC14

- Supports floating end of a shelf in 90 degree corners
- Attaches the floating end of a shelf to the face of a fixed shelf

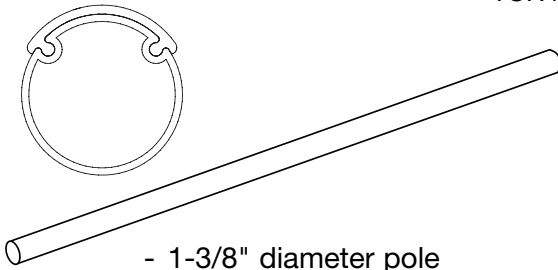
closet design tip

Our hanging units work best when there is a minimum depth of 27" for reach in closets. Shelving units or TCR closet rods work better in a more shallow space.



48 in. Closet Rod

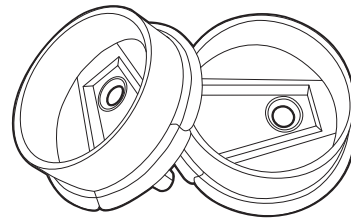
TCR48



- 1-3/8" diameter pole
- Anti-spin lock
- Integrated plastic rod-guard
- Trim to fit on site
- Closet rod brackets included

Closet Rod Bracket Pair

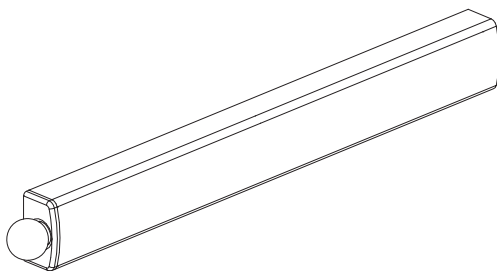
CRBR-SN



- Anti-spin pole lock
- Easy install pins
- Field installed

Slideout Valet Rod Kit

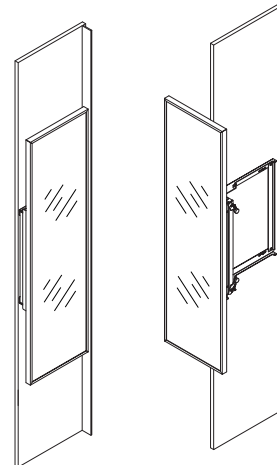
SOVR-SN



- Pull-out rod makes an ideal place to assemble clothing, accessories and jewelry for a complete outfit
- Field installed

Slideout Mirror Kit

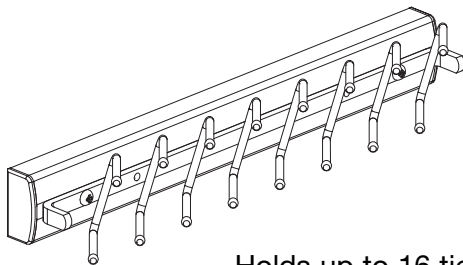
SOMR-SN



- Stows in 2" space
- Field installed
- Pivots 90°
- Mirror height : 35"

Slideout Tie Rack Kit

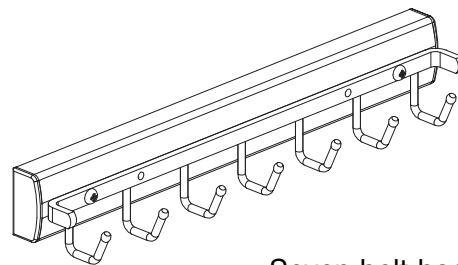
SOTR-SN



- Holds up to 16 ties
- Slide out feature
- Pivots 90°
- Field installed

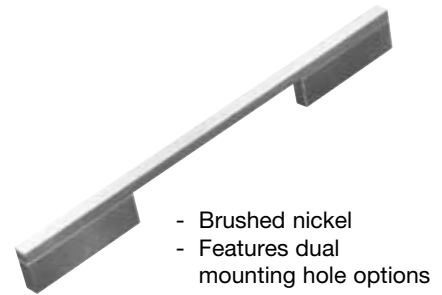
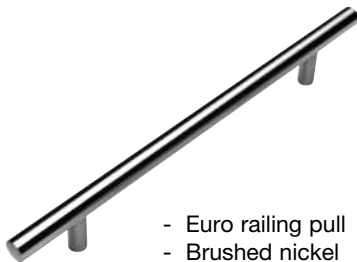
Slideout Belt Rack Kit

SOBR-SN



- Seven belt hooks
- Holds up to 21 belts
- Slide out feature
- Pivots 90°
- Field installed

Decorative Hardware



DH45-100 - 7" Euro Pull
3¾" center (96mm)

DH45-102 - 10" Euro Pull*
6-15/16" center (176mm)

DH45-104 - 13" Euro Pull*
9¾" center (248mm)

DH44-346 - 8" Square Bar Pull
7½" center (196mm)

DH44-348 - 9" Square Bar Pull
8-13/16" center (224mm)

DH44-350 - 13" Square Bar Pull*
12-5/8" center (320mm)

DH44-352 - 19" Square Bar Pull*
18-7/8" center (480mm)

DH116-120 - 10" Quadra Pull
5" inside center (128mm)
8-13/16" outside center (224mm)

DH116-122 - 11" Quadra Pull
6-5/16" inside center (160mm)
10-1/16" outside center (256mm)

DH116-126 - 14" Quadra Pull
8-13/16" inside center (224mm)
12-5/8" outside center (320mm)

DH116-134 - 20" Quadra Pull*
15-1/8" inside center (384mm)
18-7/8" outside center (480mm)

DH116-136 - 24" Quadra Pull*
18-7/8" inside center (480mm)
22-11/16" outside center (576mm)

* Due to the overall length of this hardware, it is not compatible with drilling template HDWE TEMPLATE-TC.

Decorative Hardware



DH43-826

- Elongated oval knob
- Antique pewter
- 2" length



DH43-630

- Elongated oval knob
- Oiled bronze
- 2" length



DH43-618

- Octagon knob
- Oiled bronze
- 1-3/8" diameter



DH43-828

- Classic pull
- Antique pewter
- 3-3/4" center (96mm)
- 4-3/4" outside length



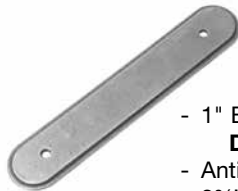
DH43-632

- Classic pull
- Oiled bronze
- 3-3/4" center (96mm)
- 4-3/4" outside length



DH43-614

- Traditional pull
- Oiled bronze
- 3-3/4" center (96mm)
- 4-1/2" outside length



DH43-824

- 1" Backplate for **DH43-828**
- Antique pewter
- 3 3/4" center (96mm)
- 5 1/4" outside length



DH43-628

- 1" Backplate for **DH43-632**
- Oiled bronze
- 3 3/4" center (96mm)
- 5 1/4" outside length



DH43-628

- 1" Backplate for **DH43-614**
- Oiled bronze
- 3-3/4" center (96mm)
- 5-1/4" outside length



DH43-820

- Screw-head cup pull
- Antique pewter
- 2-1/2" center (64mm)
- 4-1/8" outside length



DH43-624

- Screw-head cup pull
- Oil rubbed bronze
- 2-1/2" center (64mm)
- 4-1/8" outside length



DH43-624

- Screw-head cup pull
- Oil rubbed bronze
- 2-1/2" center (64mm)
- 4-1/8" outside length



DH99-188

- Round knob
- Brushed nickel
- 1-1/4" diameter



DH93-152

- Raised mitered knob
- Antique pewter
- 1-3/8" square



DH43-124

- Octagon knob
- Antique silver
- 1-3/8" diameter



DH99-128

- Contemporary bow pull
- Brushed nickel
- 3-3/4" center (96mm)
- 5-1/4" outside length



DH93-112

- Raised mitered pull
- Antique pewter
- 3-3/4" (96mm) & 5" (128mm) center
- 6-3/8" outside length



DH43-114

- Traditional pull
- Antique silver
- 3-3/4" center (96mm)
- 4-1/2" outside length

Decorative Hardware

DH65-432



- Birdcage knob
- Stainless steel
- 2-1/2" length

DH65-200



- Birdcage knob
- Antique iron
- 2-1/2" length

DH88-104



- Arrowhead knob
- Antique pewter
- 3-1/2" length

DH65-402



- Birdcage pull
- Stainless steel
- 3-3/4" center (96mm)
- 4" outside length

DH65-120



- Birdcage pull
- Antique iron
- 3-3/4" center (96mm)
- 4" outside length

DH88-110



- Arrowhead pull
- Antique pewter
- 5" center (128mm)
- 7-1/2" outside length

DH95-144



- Square dimpled knob
- Matte nickel
- 1-1/4" square

DH87-102



- Square ribbed knob
- Brushed nickel
- 1" square

DH95-104



- Square dimpled pull
- Matte nickel
- 6-5/16" center (160mm)
- 7-1/2" outside length

DH87-112

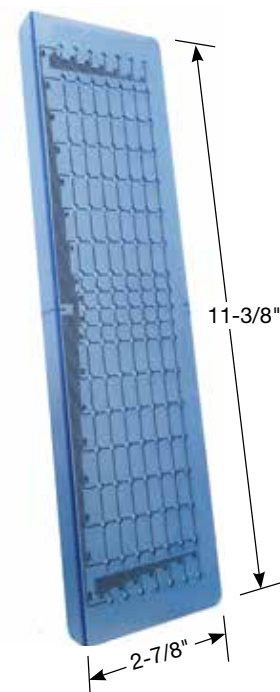


- Ribbed bow pull
- Brushed nickel
- 3-3/4" center (96mm)
- 4-11/16" outside length

HDWE TEMPLATE-TC

Hardware Drilling Template

Align with door frame to quickly and accurately mark hole locations.



NOTE: Refer to the individual decorative hardware size specifications to determine compatibility with this template.

HOME
DECORATORS
COLLECTION



hdcclosets.com

Custom Assembled Closets

LEARN MORE



Instant Closet
Estimator

LEARN MORE



Measuring
Guide

LEARN MORE



Free Color
Samples

Lifetime
Manufacturer
Warranty

CARB2
compliant 