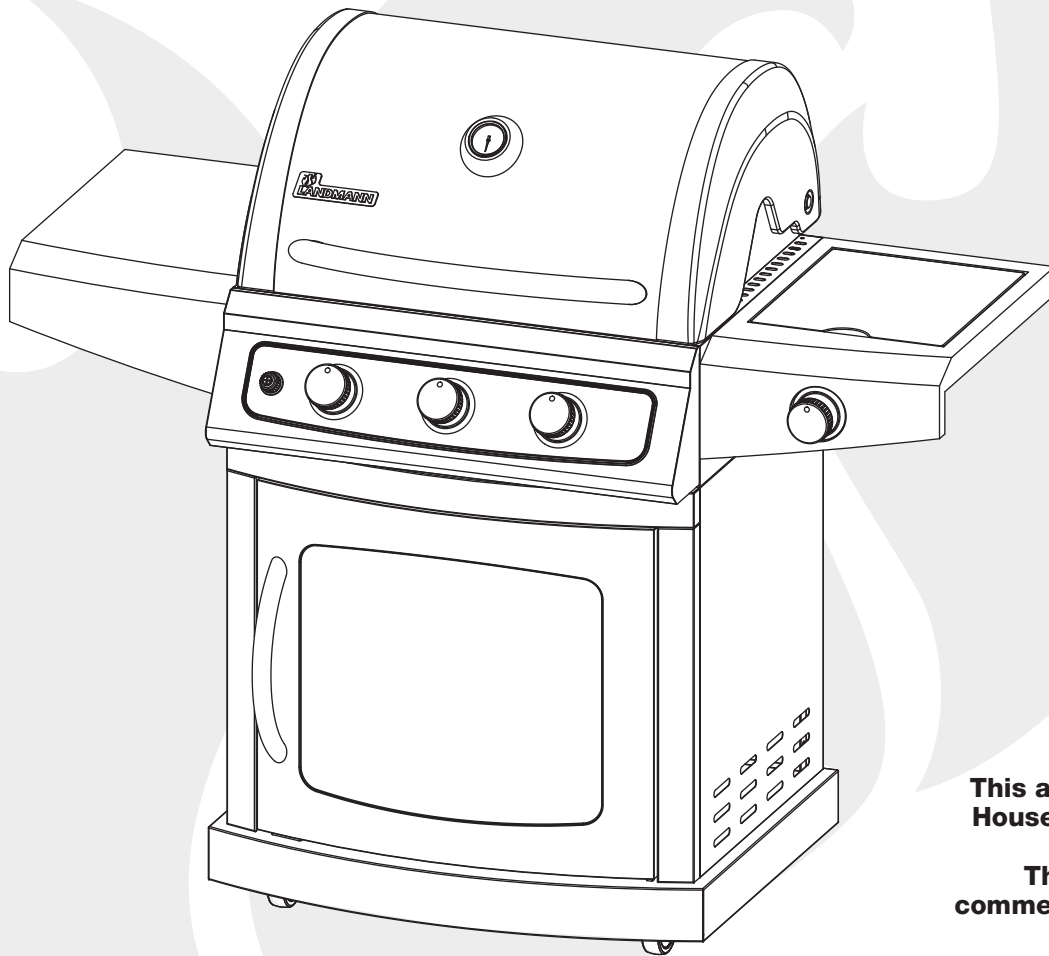




Español p. 26
Français p. 51



**This appliance is for
Household use only.**

**This is not a
commercial appliance.**

**ASSEMBLY, CARE AND USE INSTRUCTIONS
READ CAREFULLY**

**IMPORTANT:
RETAIN THESE INSTRUCTIONS FOR FUTURE REFERENCE**



3 Burner LP Barbecue Grill

MODEL 42135 / 42211

Questions, problems, missing parts? Before returning to your retailer, call our customer service department at: 1-800-321-3473 8:00 AM - 5:00 PM (EST) English Only, or Email CustomerService@landmann-usa.com

Table of Contents

Important Safety Information 2	Lighting Instructions..... 17
Liquid Propane (LP) Safety Information..... 4	Care and Maintenance 18
Package Contents 6	Cooking Methods and Grilling Tips..... 19
Preparation 7	Troubleshooting..... 20
Hardware Contents 7	Replacement Parts List 21
Tools Required..... 7	Grilling Guidelines 22
Assembly Instructions 7	Warranty 24

Assembler/Installer

This instruction manual contains important information necessary for the proper assembly and safe use of this appliance. Read and follow all warnings and instructions before assembling and using this appliance.

Leave these instructions with the consumer.

Consumer/User

Follow all warnings and instructions when using this appliance.

Keep these instructions for future reference.

DANGER

If you smell gas:

- 1. Shut off gas to the appliance.**
- 2. Extinguish open flame.**
- 3. Open lid.**
- 4. If odor continues, keep away from the appliance and immediately call your gas supplier or your fire department.**
- 5. Failure to follow these instructions could result in explosion, or burn hazard which could cause property damage, personal injury or death.**

WARNING

- 1. DO NOT** store or use gasoline or other flammable liquids or vapors in the vicinity of this or any other appliance.
- 2.** An LP (liquid propane) cylinder not connected for use should not be stored in the vicinity of this or any other appliance.
- 3.** This grill is **FOR OUTDOOR USE** only and shall not be used in a building, garage, under overhangs or any other enclosed area.
- 4. DO NOT** leave a lit grill unattended. Keep children and pets away from the grill at all times.
- 5. This appliance is for Household use only. This is not a commercial appliance.**

Important Safety Information

CAUTION

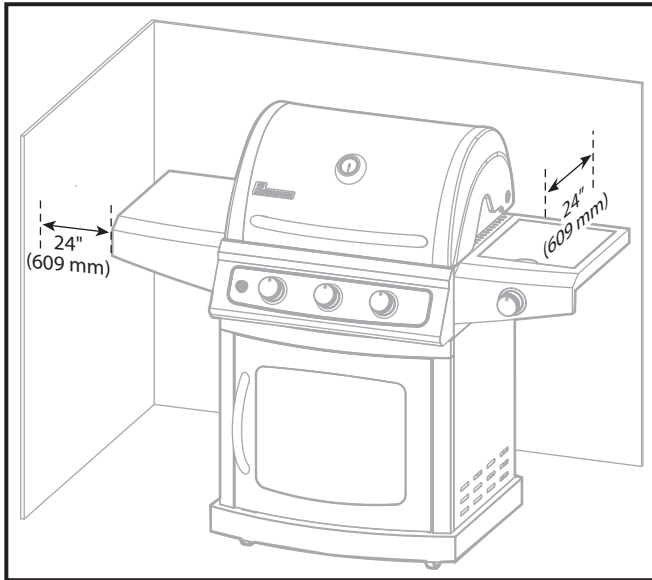
Warnings and Cautions contained in this instruction manual may result in serious bodily injury or death, or may result in a fire or explosion causing damage to property.

- Make sure to follow all assembly instructions carefully. Improper assembly of this grill may be dangerous.
- **NEVER** use charcoal, lighter fluid, gasoline, kerosene or alcohol to ignite this grill.
- When igniting the grill or cooking, **DO NOT** lean over the open grill.
- Always open the grill lid slowly and carefully as heat trapped inside the grill can cause severe burns.
- **DO NOT** place hands or fingers at edge of the firebox when the lid is open or the grill is hot.
- Keep children and pets away from the grill when in use. Accessible parts may be very hot.
- **DO NOT** attempt to disconnect the gas regulator and hose assembly or any gas fitting while your grill is operating.



Important Safety Information

- This grill **SHOULD NOT** be located under any overhead unprotected combustible construction. Always allow at least 24" from the top, bottom, back and 24" from the sides of the grill (see below).



- This grill is an outside appliance and **SHOULD NOT** be operated in a building, garage, or any other enclosed area.
- **DO NOT** obstruct the flow of combustion and ventilation air. Keep the ventilation openings of the cylinder enclosure free and clear of debris.
- Should the burners go out while the grill is in operation, turn all gas valves off. Open the lid and wait five minutes before attempting to relight the grill, using the igniting instructions.
- Keep this grill clear and free from combustible material, gasoline and other flammable vapors and liquids.
- **NEVER** store an extra or disconnected liquid propane cylinder under or near this grill.
- Always use heat-resistant barbecue mitts or gloves when operating the grill.
- **DO NOT** leave a hot grill unattended or move it during operation.
- This grill is not intended to be used in or installed on recreational vehicles, boats, portable trailers, or in any moving location.
- **DO NOT** put a grill cover or anything flammable on the grill while the grill is in operation or is hot.
- Storage of an outdoor cooking gas appliance indoors is permissible only if the cylinder is disconnected and removed from the outdoor cooking gas appliance.
- When the grill is not in use, make sure the gas is turned **OFF** at the supply cylinder.
- Cylinders must be stored outdoors and out of the reach of children. Cylinder must not be stored in a building, garage or other enclosed areas.
- Always inspect the gas supply hose before every use. If the hose shows any signs of abrasions or cuts, **DO NOT** use the grill. The hose must be replaced before using again.
- Always check the burners and venturi tubes for insects and insect nests.
- Always check the connections for leaks each time you connect and disconnect the LP gas supply cylinder.



The pressure regulator and hose assembly supplied with this grill must be used. Any requirements for a replacement regulator and hose assembly must be made through the manufacturer, LANDMANN-USA.

- Gas cylinders must include a collar to protect the cylinder valve.
- Dented or rusty LP gas cylinders may be hazardous and need to be checked by your LP gas supplier.
- **DO NOT** use LP gas cylinders with a damaged valve.
- **DO NOT** enlarge the valve orifices or burner ports when cleaning the valves or burners.
- If you see, smell or hear hissing of gas escaping from the LP gas cylinder, move away from the LP gas cylinder. **DO NOT** attempt to correct the problem yourself and call the fire department.
- If a grease fire occurs, turn **OFF** all burners and leave the lid closed until the fire is out.
- **DO NOT** alter this grill in any manner. Any alteration automatically voids the warranty.
- **DO NOT** use the grill in high wind situations.



Important Safety Information

The LP gas supply cylinder to be used must be constructed and marked in accordance with the Specification for LP Gas Cylinders of the U.S. Department of Transportation (DOT) or the National Standard of Canada, CAN/CSA-b339 (Cylinders, Spheres, and Tubes for transportation of Dangerous Goods).

The LP gas cylinder must be:

- provided with a listed overfilling prevention device
- provided with a cylinder connection device compatible with the connection for outdoor cooking gas appliances.

State of California Proposition 65 Warnings



This product contains one or more chemicals known to the state of California to cause cancer.



This product contains one or more chemicals known to the state of California to cause birth defects or other reproductive harm.



A fire causing death or serious injury may occur if the following is not followed exactly:

NEVER store or use gasoline or other volatile substances in the vicinity of this grill. **NEVER** store a spare propane cylinder in the vicinity of this grill, or in the vicinity of another potential heat source. **NEVER** fill the propane cylinder beyond 80% full.



DO NOT store spare gas cylinder in or near grill.

Place dust cap on cylinder valve outlet whenever the cylinder is not in use. Install only the type of dust cap on cylinder valve outlet that is provided with the cylinder valve. Other types of caps or plugs may result in leakage of propane.



Liquid Propane (LP) Safety Information

Please review the below guidelines and safety information when using Liquid Propane (LP) gas.

General Information

- This grill is designed to be used with a standard 20 lb. LP gas cylinder.
- Any brand of 20 lb. LP gas cylinder is acceptable for use on this grill, provided that it is compatible with the grill's retention means (tank tray bolt).
- This grill is designed certified by CSA international for local LP gas supply.
- This grill **CANNOT** be converted to natural gas. **DO NOT** attempt to convert this grill with a different gas type.

Safety Information

- LP gas has an odor similar to natural gas.
- LP gas is heavier than air and leaking gas may collect in low areas and resist dispersion.
- LP cylinders must be installed, transported and stored in an upright position.
- LP cylinders should not be dropped or handled roughly.
- **DO NOT** use a damaged LP cylinder. A dented or rusty LP cylinder or an LP cylinder with a damaged valve may be hazardous and should be replaced with a new cylinder immediately.
- **ALWAYS** close the cylinder valve after use.
- **ALWAYS** close the cylinder valve when disconnecting the regulator.
- **ALWAYS** treat possible empty LP cylinders with the same care as a full LP cylinder. There may still be gas pressure inside a possible empty LP cylinder.
- **NEVER** store or transport an LP cylinder where the temperature can reach 125°F.
- Keep LP cylinders away from children and pets.
- **DO NOT** store disconnected LP cylinders in a building, garage or other enclosed areas.

- If the LP cylinder is kept in the grill between uses, make sure to keep both the grill and the cylinder in an outdoor area with good ventilation.
- **ALWAYS** leak test the LP cylinder connection to the regulator whenever changing LP cylinders.

Installation of LP Cylinder

1. Make sure all burner controls are in the ● **OFF** position.
2. Open the cabinet door.
3. Carefully position in the large hole on the bottom panel.
4. To secure the LP cylinder in place, screw the tank holding tray bolt through the bottom section of the LP cylinder.
5. Attach the regulator to the cylinder by carefully **HAND TIGHTENING** only.
6. **NEVER** use a wrench or other tool to tighten this connection.
7. Observe all governing codes and ordinances.

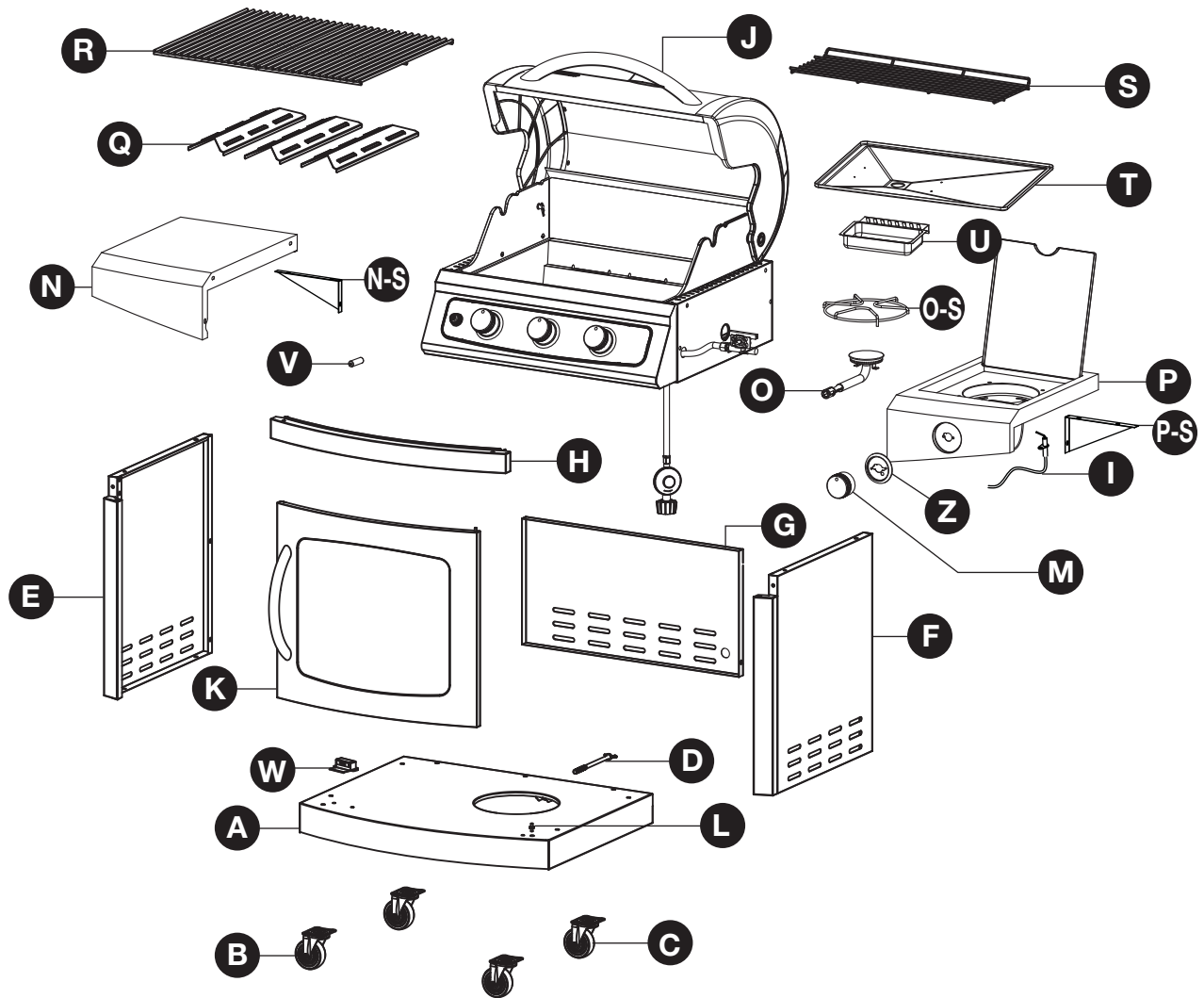
Important

The United States LP gas appliance installation must conform with local codes and ordinances. In the absence of local codes, appliance installation must conform with either the National Fuel Gas Code, ANSI Z223.1/NFPA54, Natural Gas and Propane Appliance code, CSA B149.1, or Propane Storage and Handling Code, B149.2, as applicable.

For Canada, installation of this grill must comply with local codes and/or Standard CSA-B149.2 (Propane Storage and Handling Code).



Package Contents



Part	Description	Quantity	Part	Description	Quantity
A	Bottom panel	1	O	Side burner	1
B	Non-locking caster	2	O-S	Side burner grate	1
C	Locking caster	2	P	Right shelf	1
D	Tank tray bolt	1	P-S	Right shelf support	1
E	Left side panel of cart	1	Q	Flame tent	3
F	Right side panel of cart	1	R	Cooking grate	2
G	Back panel of cart	1	S	Warming rack	1
H	Cart frame	1	T	Grease tray	1
I	Ignition line	1	U	Grease box	1
J	Grill body	1	V	AA Battery	1
K	Door	1	W	Lower door magnet	1
L	Door bottom pin	1	X	Match lighting tool (not shown)	1
M	Control Knob	1	Z	Control Knob base	1
N	Left shelf	1			
N-S	Left shelf support	1			

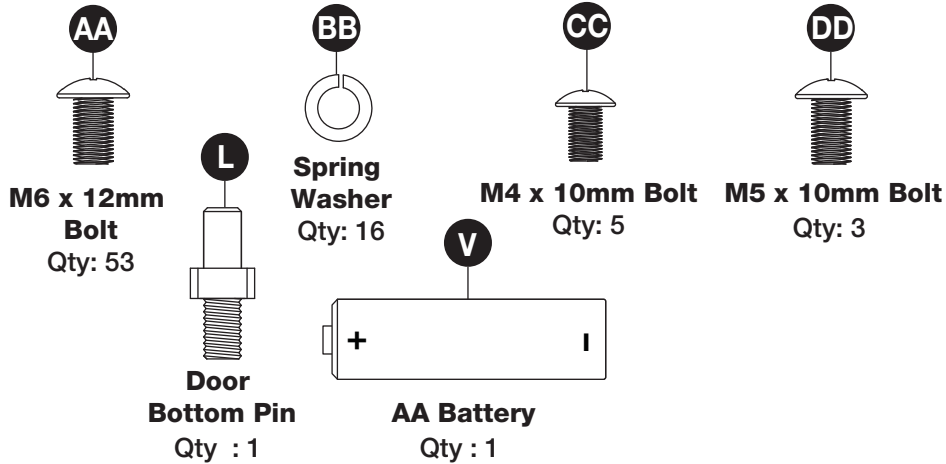


Preparation

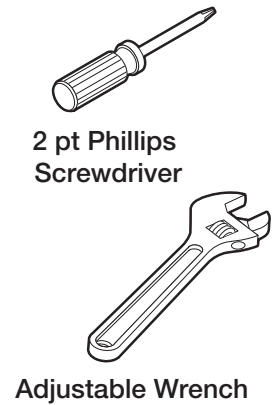
Before beginning assembly of this grill, make sure all parts are present (see Package Contents on page 6 and Hardware Contents below). If any part is missing or damaged, **DO NOT** attempt to assemble the product.

Estimated assembly time: 50 minutes with two people

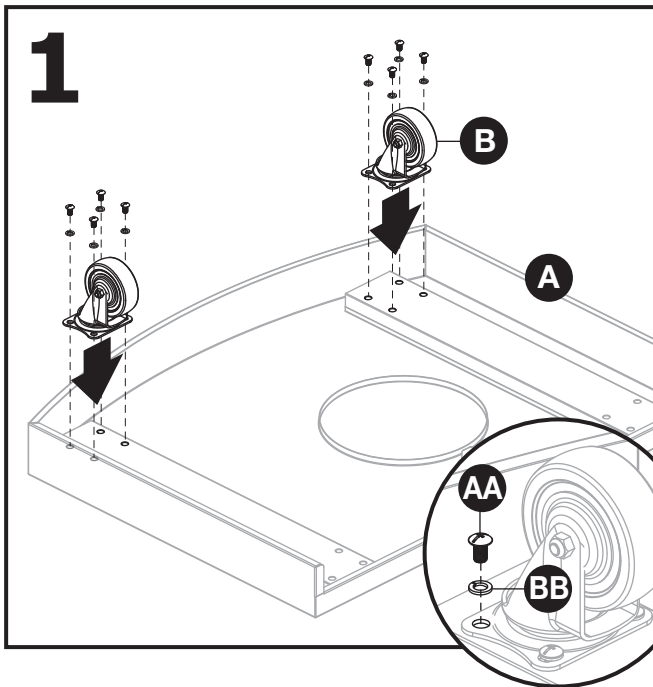
Hardware Contents



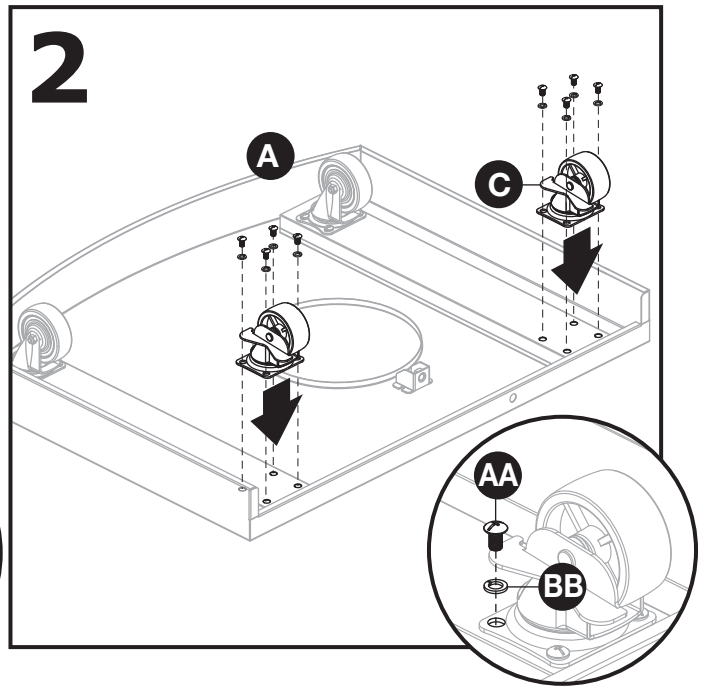
Tools Required



Assembly Instructions



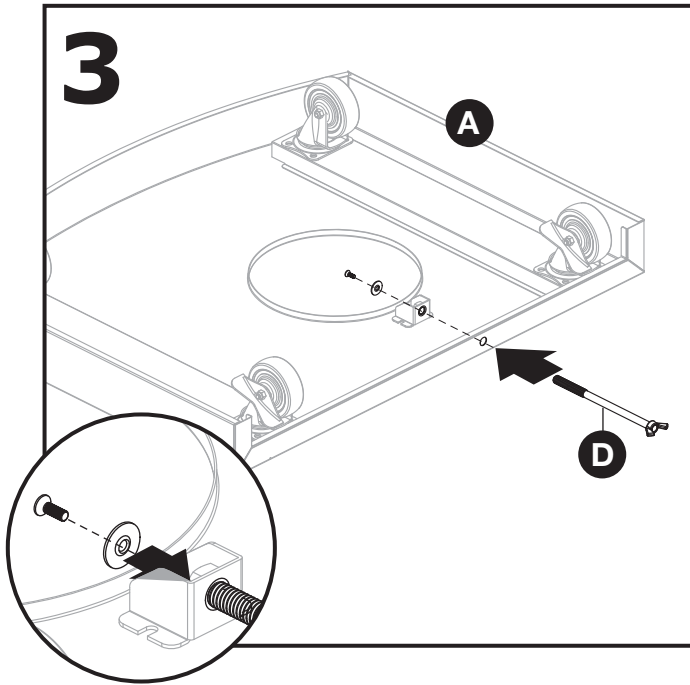
Attach non-locking casters (B) to the front of the bottom panel (A) and secure using spring washers (BB) and bolts (AA).



Attach locking casters (C) to bottom panel (N) and secure with spring washers (BB) and bolts (AA).

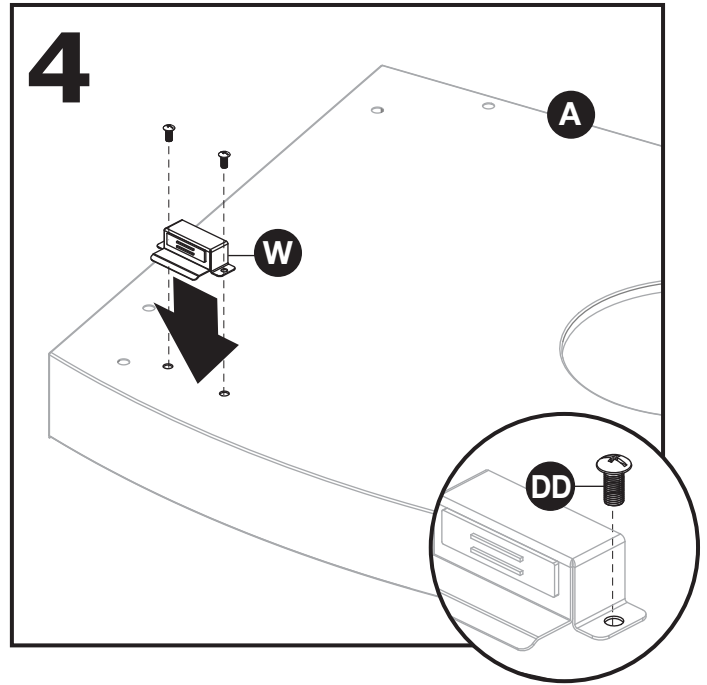


Assembly Instructions

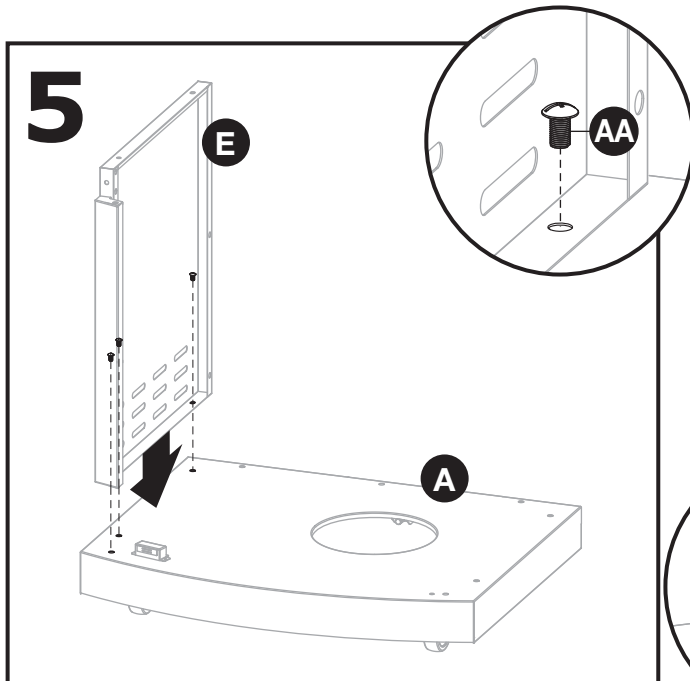


Thread tank tray bolt (D) through hole in back of bottom panel (A) and holder. Secure firmly with washer and small bolt.

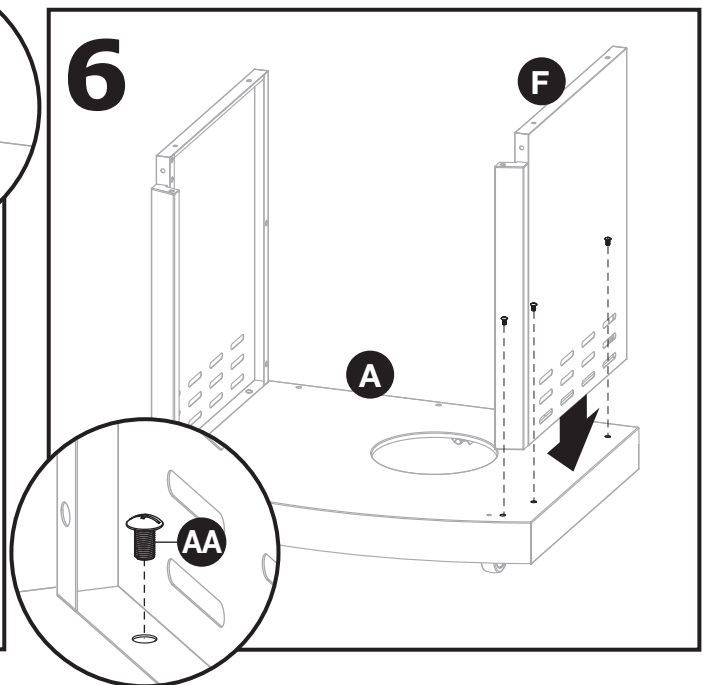
Note: Washer and small bolt are attached to the tank tray bolt (D) and must be removed for assembly.



Attach magnet (W) to bottom panel (A) and secure with bolts (DD) as shown.

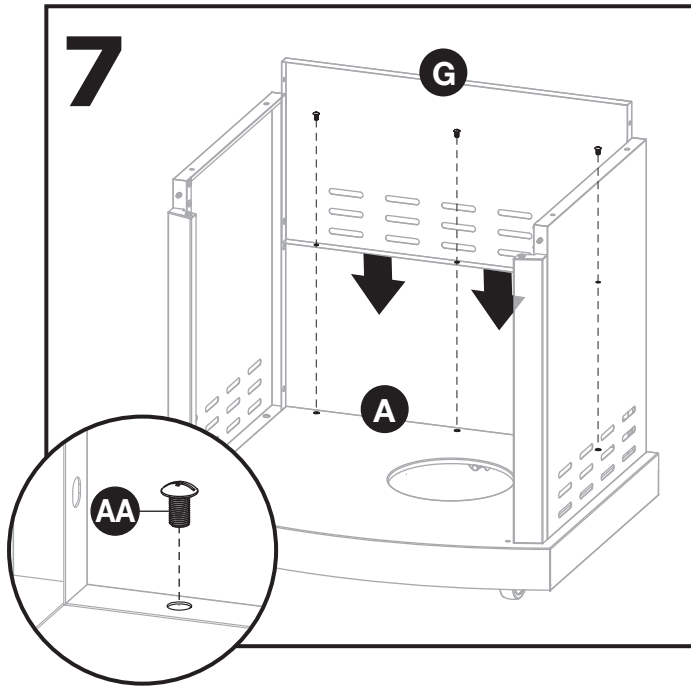


Attach left side panel (E) to bottom panel (A) with bolts (AA).

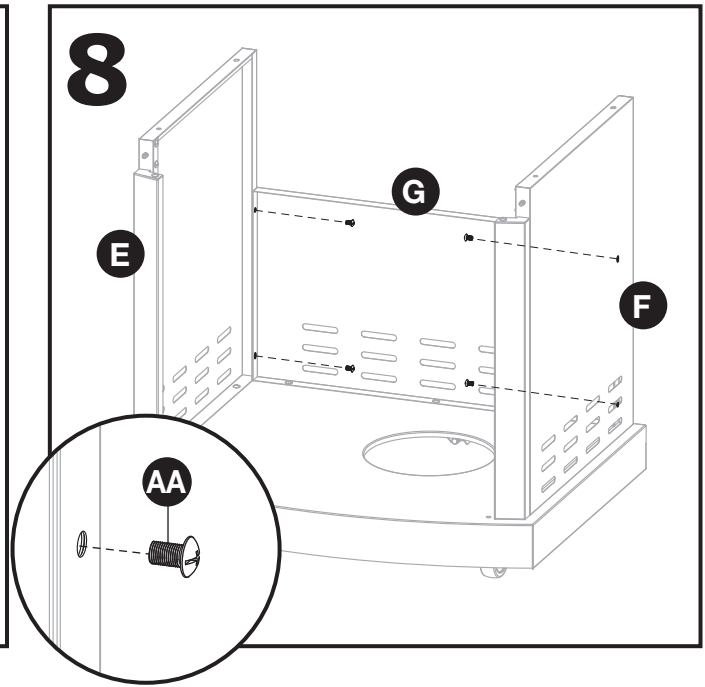


Attach right side panel (F) to bottom panel (A) with bolts (AA).

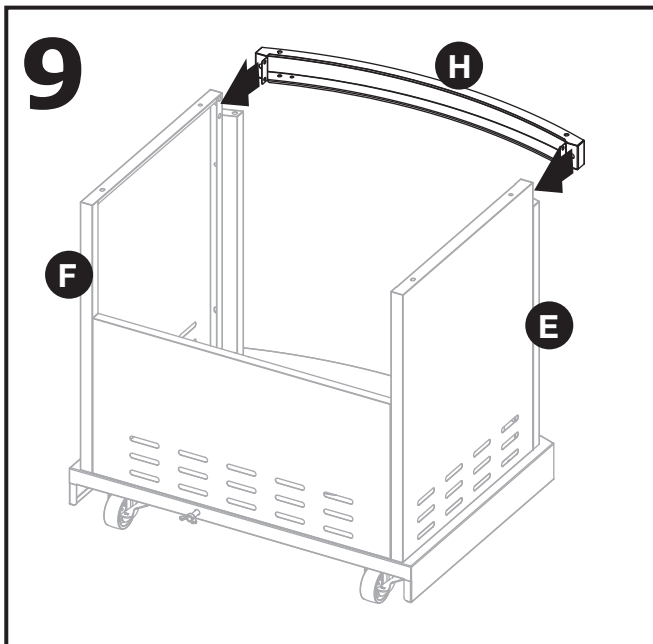
Assembly Instructions



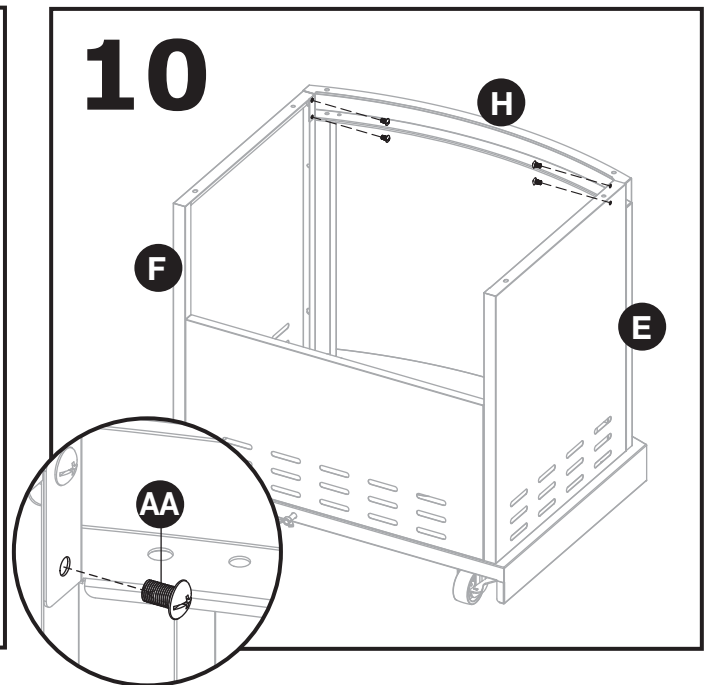
Attach back panel (G) to bottom panel (A) using bolts (AA).



Secure back panel (G) to left and right side panels (E, F) using bolts (AA) as shown.



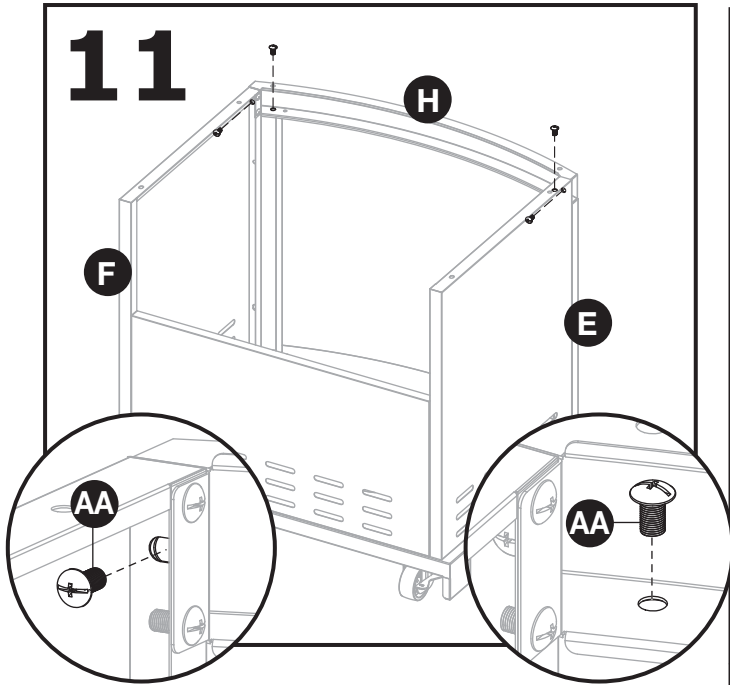
From front of cart, install cart frame (H) to top of left and right side panels (E,F).



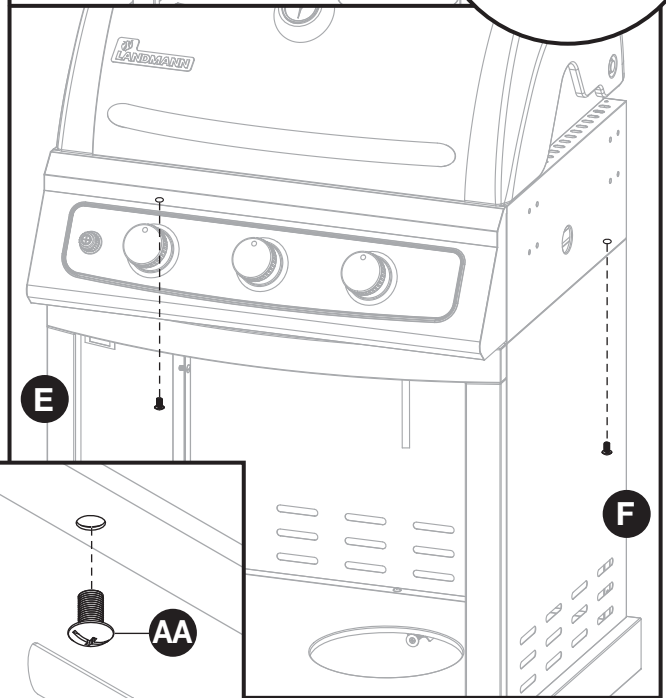
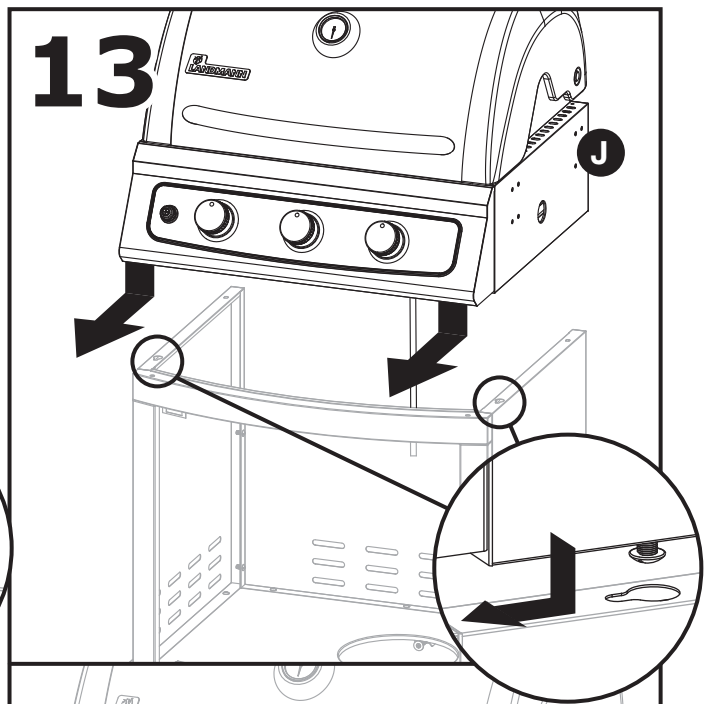
Secure cart frame (H) with bolts (AA) to top of left and right panels (E,F) as shown.



Assembly Instructions



Finish securing cart frame (H) to side panels (E,F) with additional bolts (AA) as shown.



Lower grill body (J) onto left and right side panels (E, F) and align bolts from step 12 with keyholes on top of side panels. Slide grill body forward. Insert bolts (AA) into back bolt location. Securely tighten all four bolts underneath grill body.

Carefully place the grill body (J) on its back. Insert bolts (AA) into the two bolt locations closest to the front of grill body. Insert these bolts **ONLY** half way.



IMPORTANT NOTE:

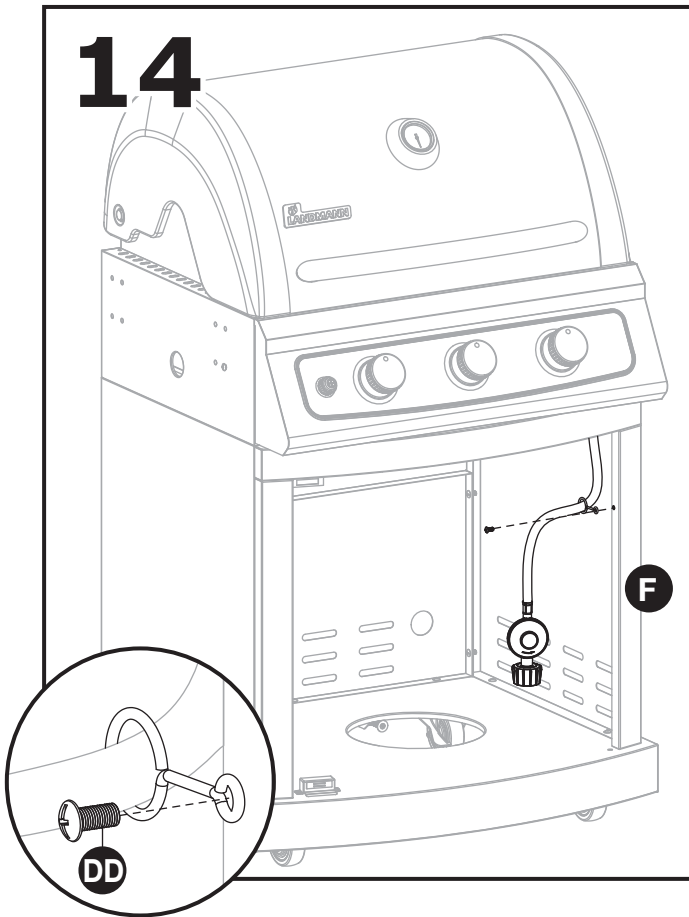
This step requires two people to properly and safely position the grill body.



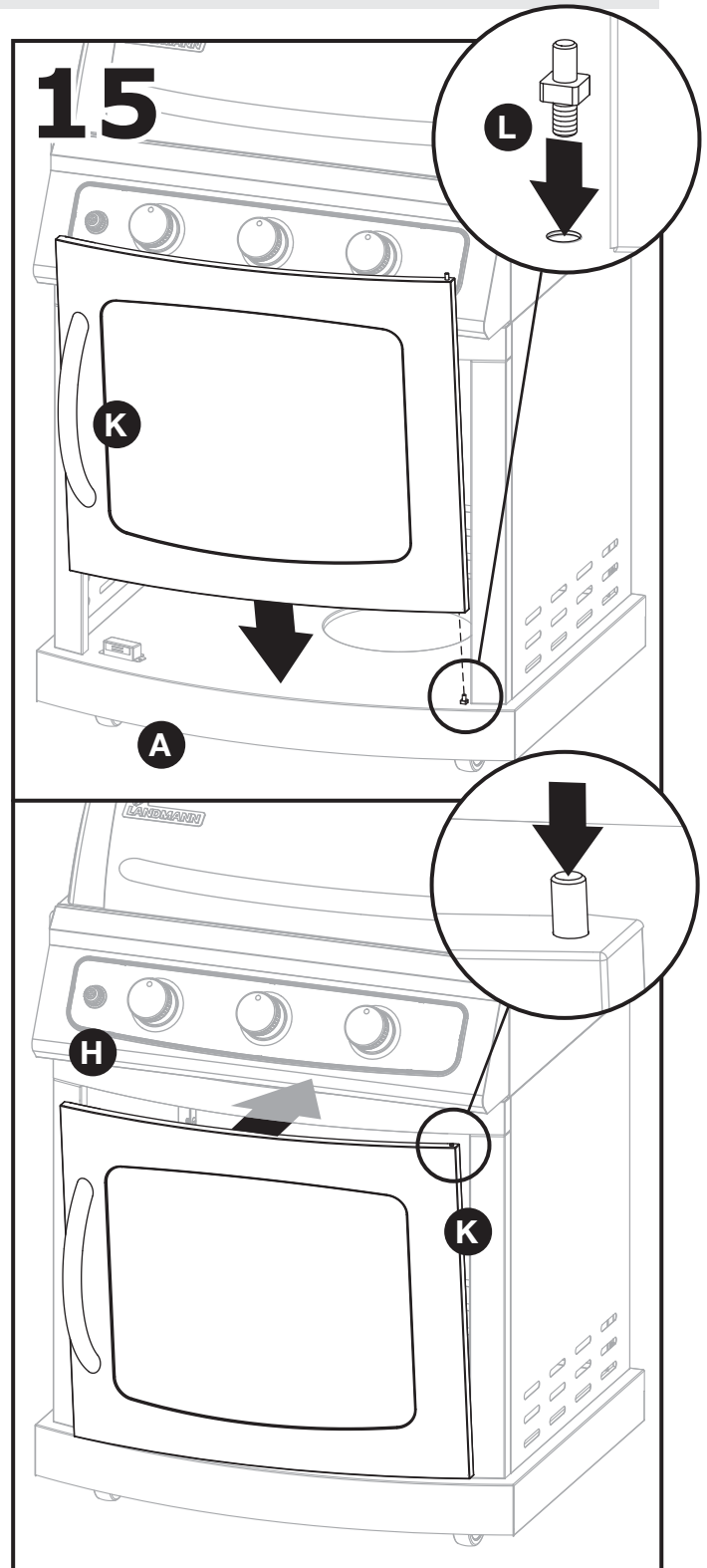
IMPORTANT NOTE:

This step requires two people to properly and safely position and attach the grill body.

Assembly Instructions

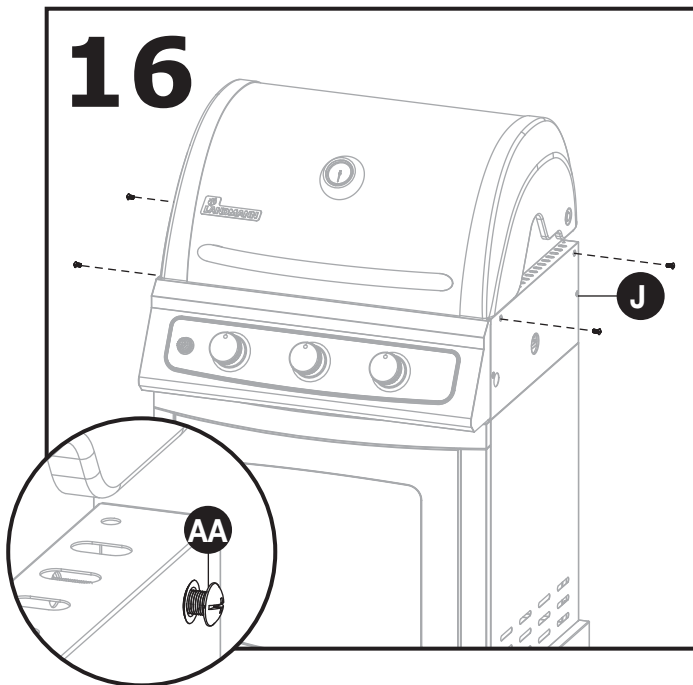


Secure the regulator and hose assembly to the inside right side panel (F) with one bolt (DD) as shown.

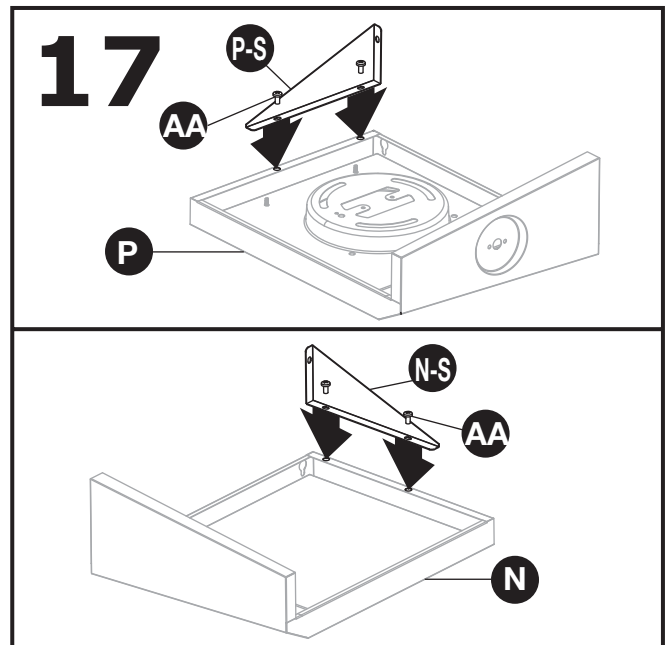


Thread door bottom pin (L) into hole on bottom panel (A). Align bottom hole on lower right corner of door (K) to fit over door bottom pin (L). Carefully push down spring pin on top right corner of door (K) and move door so spring pin slides into the hole on cart frame (H).

Assembly Instructions

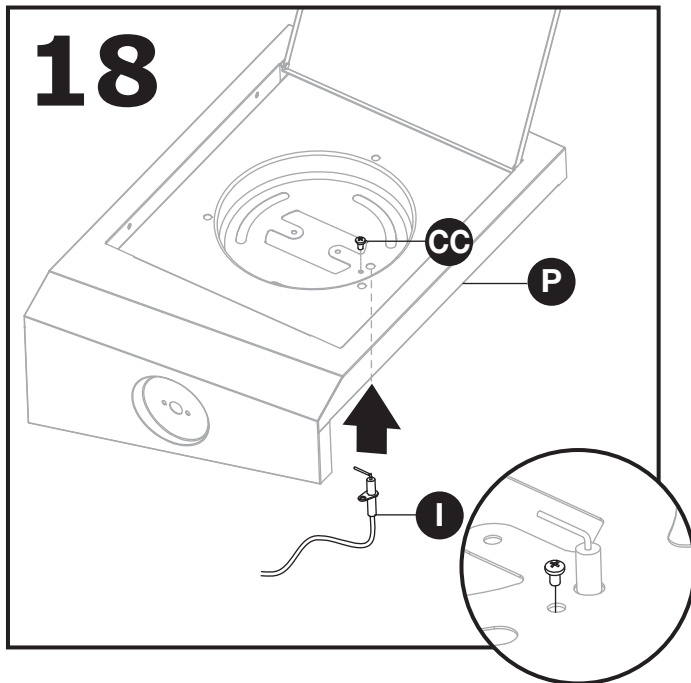


Attach bolts (AA) half way (as shown) to left and right side of the grill body (J).

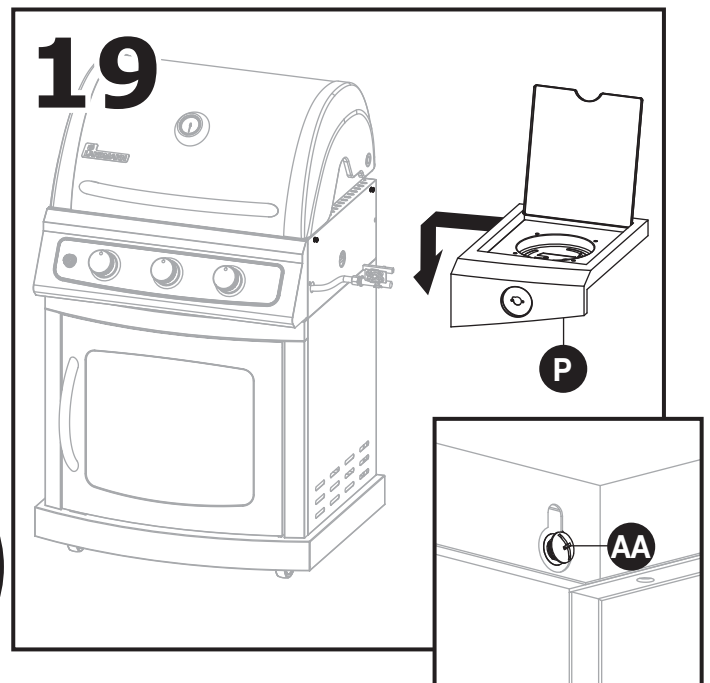


Attach right shelf support (P-S) to the bottom of right shelf (P) with bolts (AA) .

Attach left shelf support (N-S) to the bottom of left shelf (N) with bolts (AA) .



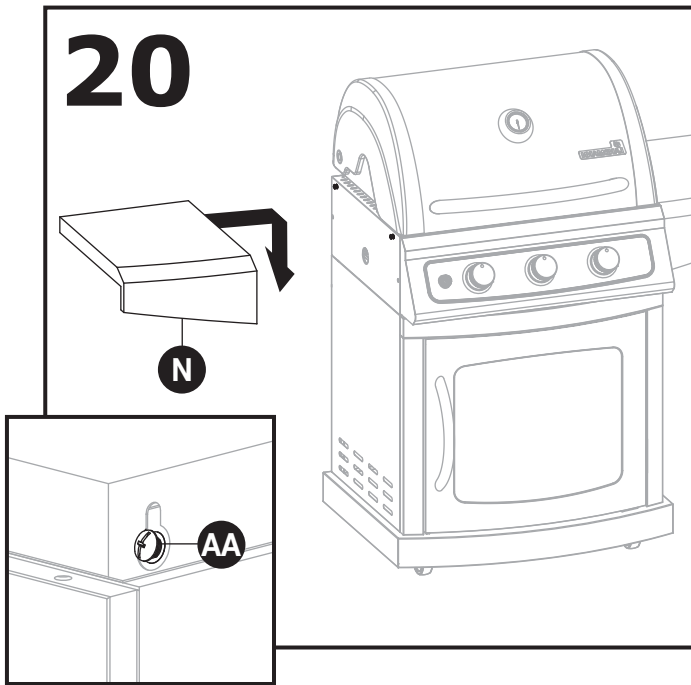
Insert Ignition line (I) into hole in bottom of right shelf (P). Secure with bolt (CC).



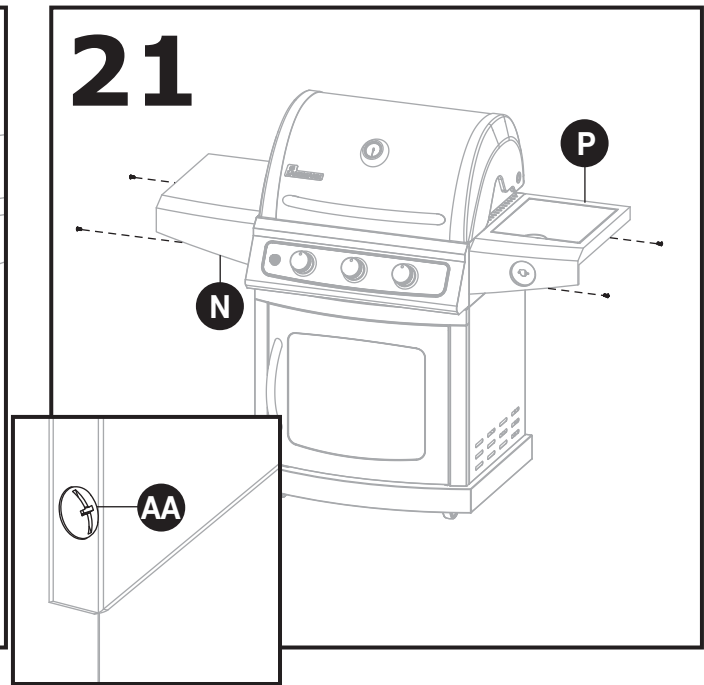
Line up keyholes on right shelf (P) with bolts (AA) installed on grill body (J) in Step 16. Slide right shelf down until bolts are in the narrow part of the keyhole.



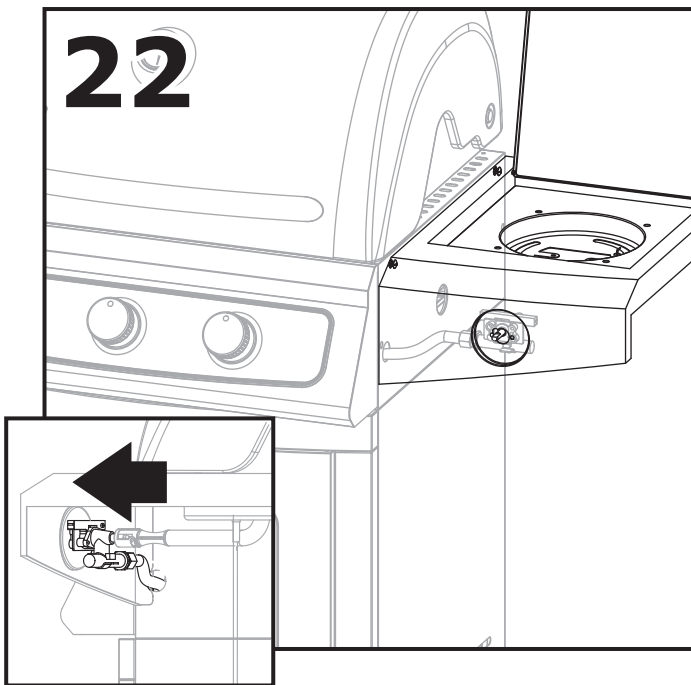
Assembly Instructions



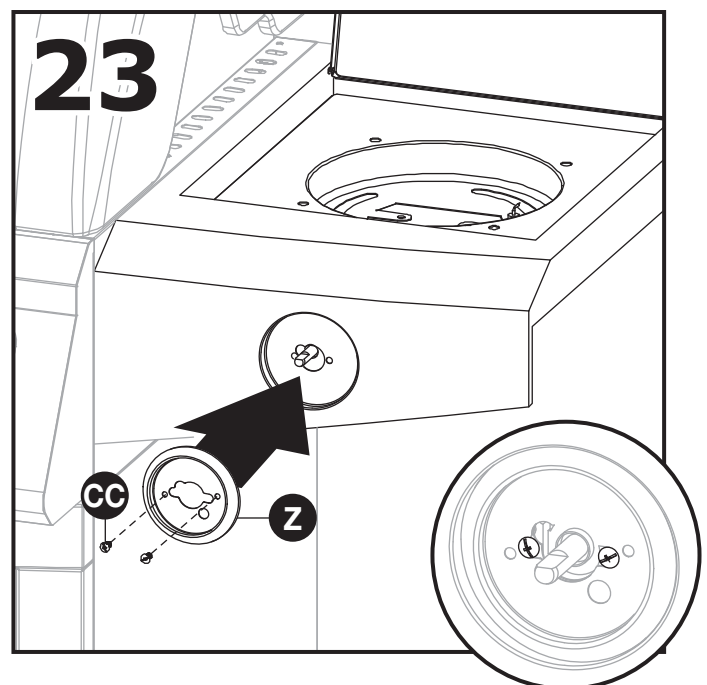
Line up keyholes on left shelf (N) with bolts (AA) installed on grill body (J) in Step 16. Slide left shelf down until bolts are in the narrow part of the keyhole.



Line up lower holes on both left shelf (N) and right shelf (P) with holes on grill body (J). Insert bolts (AA) to secure. Fully tighten all bolts (AA).



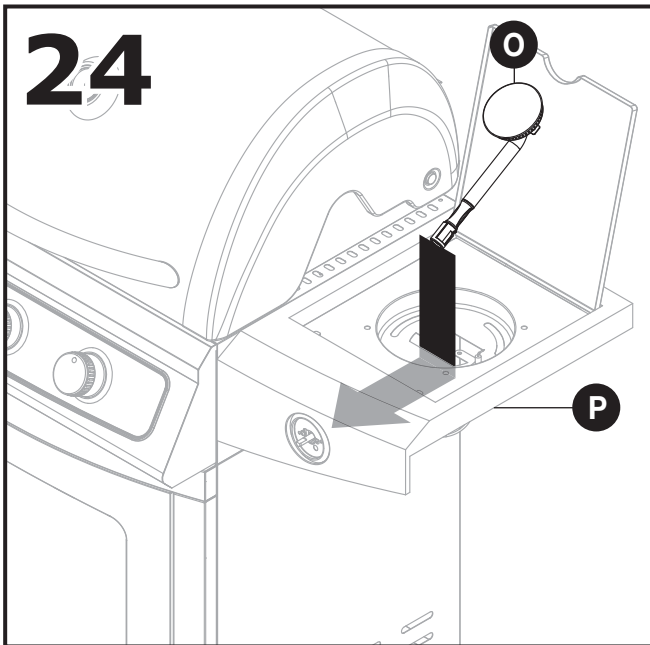
Carefully pull the gas valve out and fit it into the hole on the front side of the side burner rack (P).



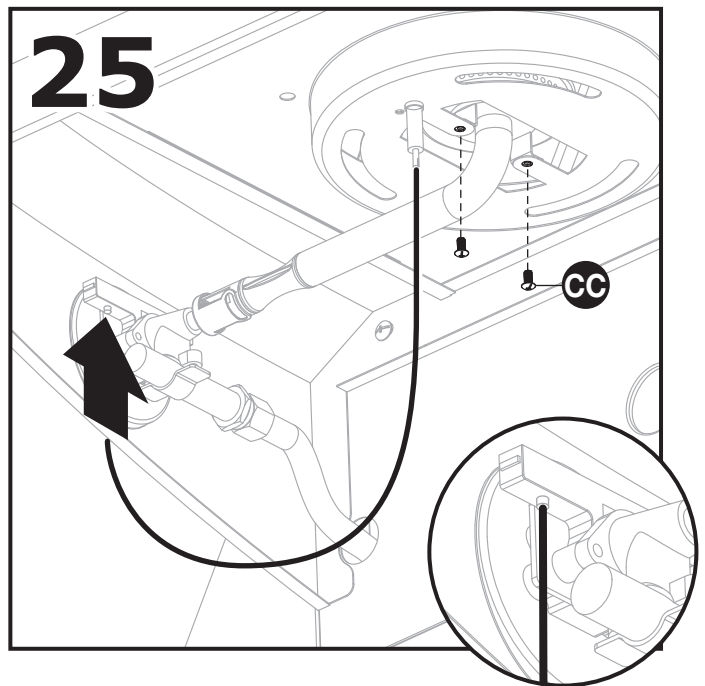
Secure the gas valve to the side shelf (P) by placing knob base (Z) over the valve and secure knob base (Z) to the gas valve using bolts (CC).



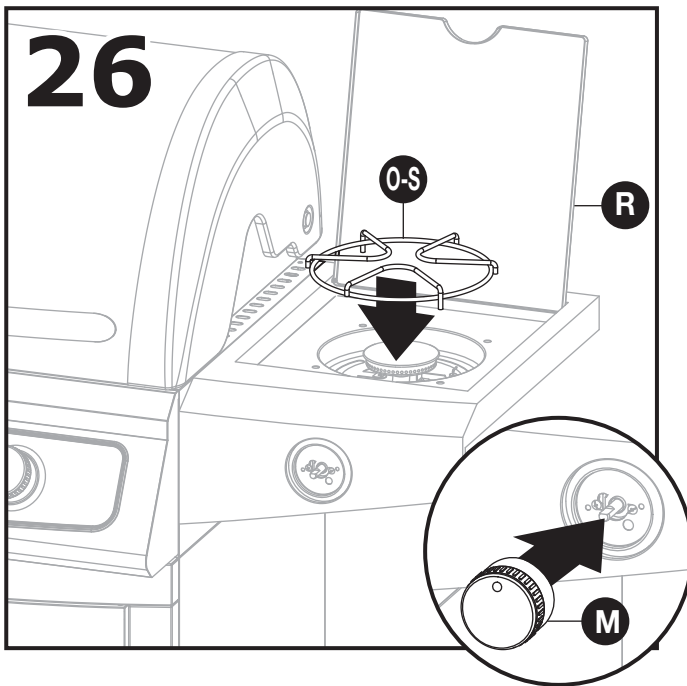
Assembly Instructions



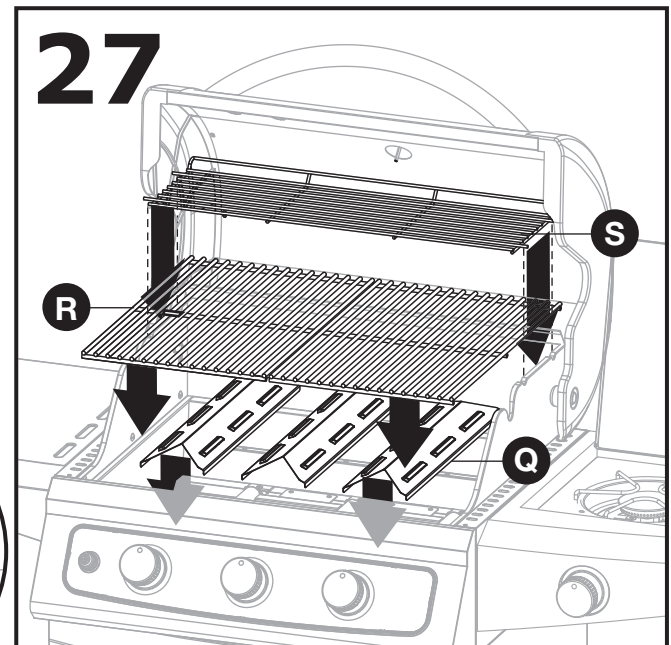
Slide side burner (O) through the upper hole in right shelf (P). Guide the front tube of side burner so it mates to the gas valve.



Attach side burner (O) to right shelf (P) with bolts (CC). Install electrode wire to the side burner valve by plugging the end of the wire into the socket.



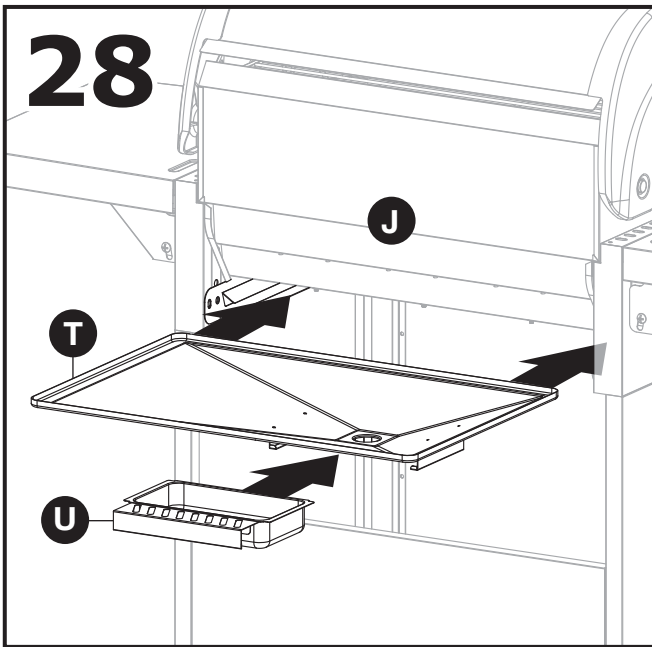
Place side burner grate (O-S) into the matching holes on right shelf (P). Press fit knob (M) onto the gas valve stem.



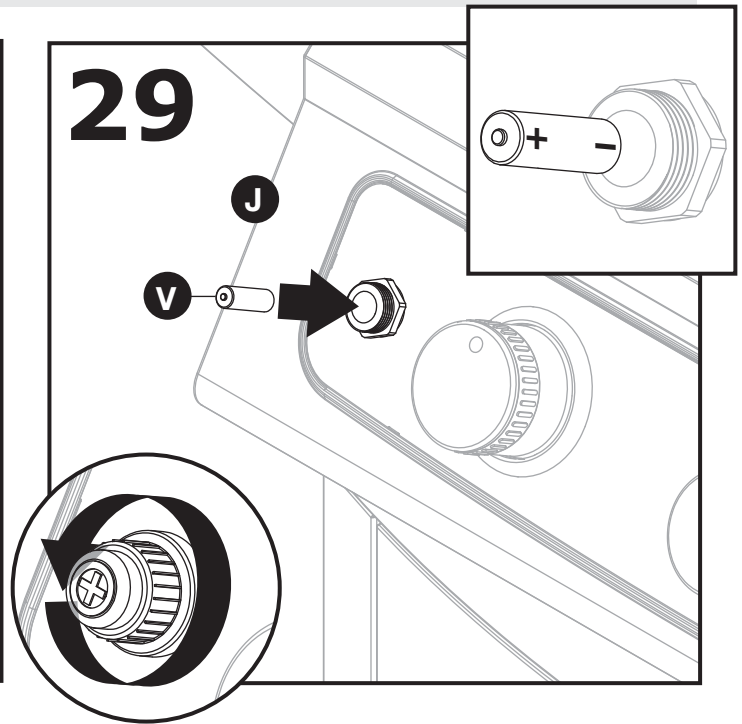
First insert flame tents (Q), then cooking grates (R) and warming rack (S) in that order.



Assembly Instructions



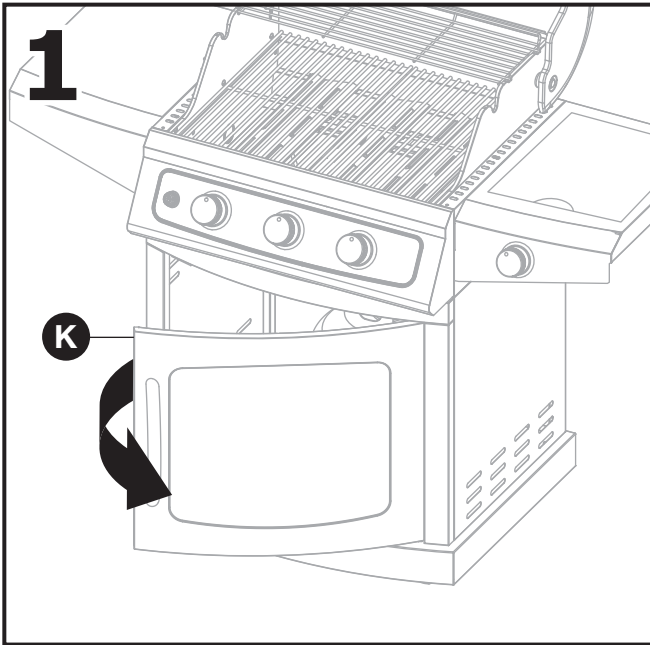
From back of grill, first slide grease tray (T) into slots on the grill body (J) until it lines up with the bottom of the grill. Then place the grease box (U) into the slot on the bottom of the grease tray.



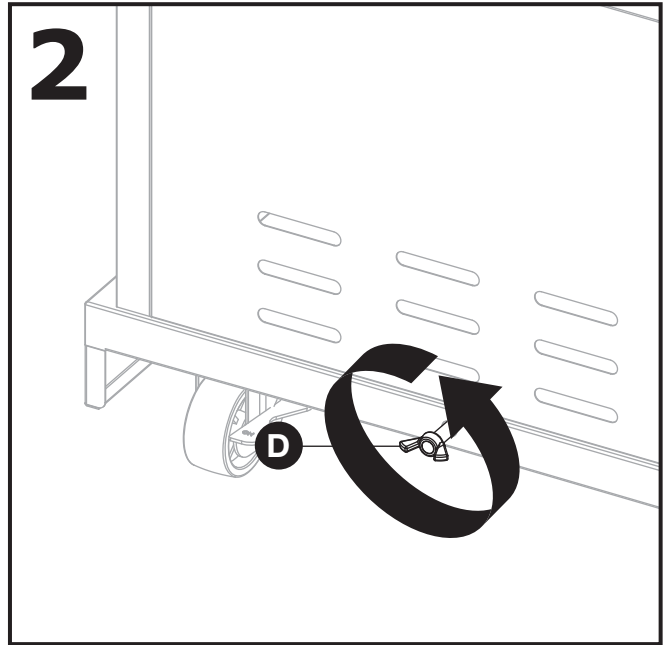
Unscrew the igniter button cap on the control panel of grill body (J). Insert the AA battery (V) so the positive end of battery is facing outward.



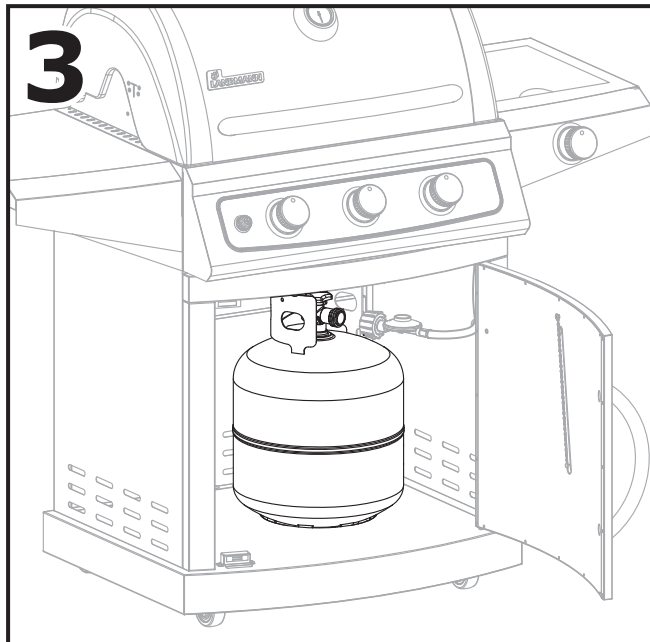
Tank Assembly



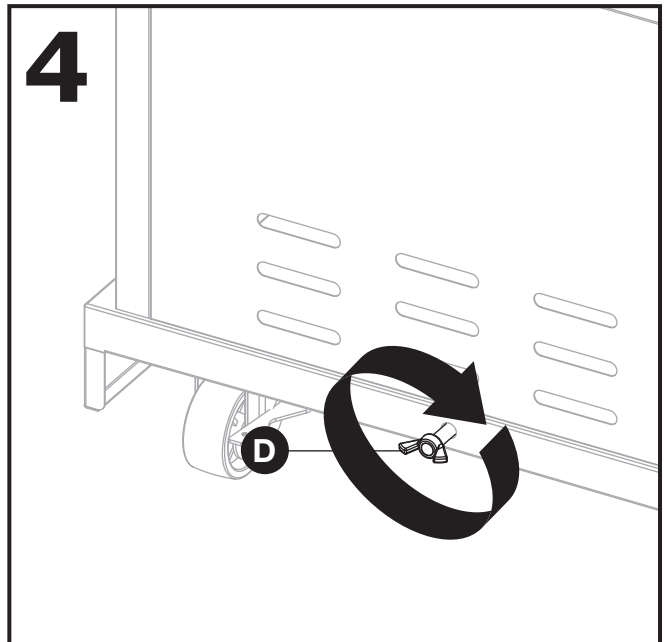
Open cabinet door (K).



Twist the tank bolt (D) counterclockwise until it is loosened.



Place the 20 lb LP gas fuel tank bottom collar into the mounting hole in the tank tray.



Tighten the tank bolt (D) clockwise against the bottom collar of the 20 lb LP gas fuel tank to secure.

IMPORTANT NOTE:

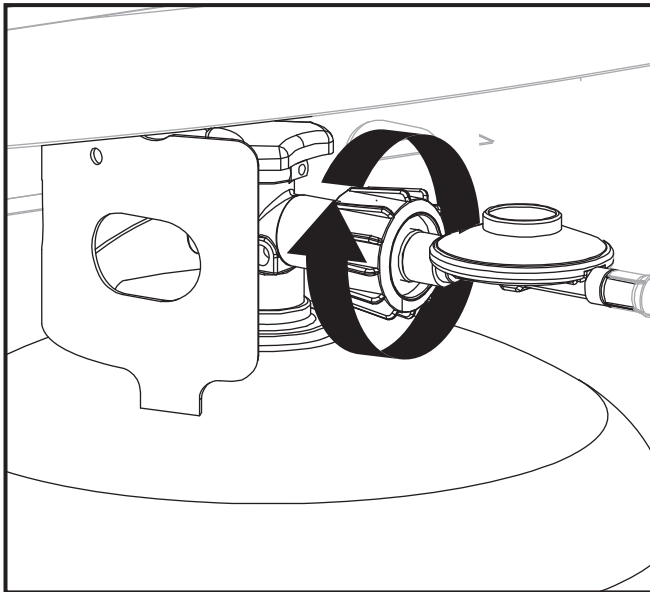
The 20 lb LP gas fuel tank dimensions should be D 315mm x H 480mm.



Connecting Gas Cylinder

1. **ALWAYS** place the propane cylinder on the tank holder under the cart.
2. **ALWAYS** confirm that all burner control knobs are in the **OFF** position before activating the gas supply.
3. Before connection, be sure that there is no debris caught in the head of the gas cylinder, head of the regulator valve, or in the head of the burner and burner ports.
4. **ALWAYS** connect the gas supply regulators as follows: Insert the nipple of the valve coupling into the tank valve and tighten the connection collar by turning it clockwise with one hand while holding the regulator with the other hand.
5. Disconnect the propane cylinder from the regulator valve when the grill is not in use.
6. **DO NOT** obstruct the flow of combustion air and ventilation air to the grill.
7. Keep ventilation openings of the cylinder enclosure free and clear from debris.

Please make sure the cylinder valve connection device shall properly and safely mate with the connection device attached to the inlet of the pressure regulator.

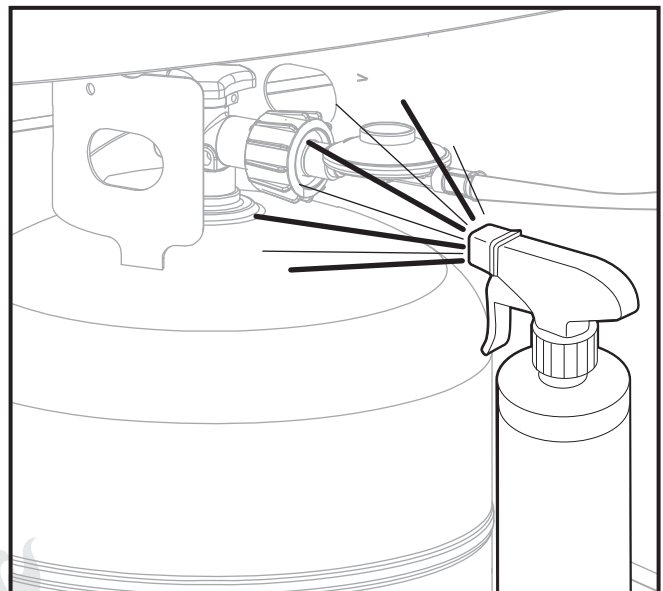


To prevent fire or explosion hazard when testing for a leak:

1. **ALWAYS** perform the “leak test” before lighting the grill and each time the cylinder is connected for use.
2. **DO NOT** smoke or allow other sources of ignition in the area while conducting a leak test.
3. Conduct the leak test outdoors in a well-ventilated area.
4. **DO NOT** use matches, lighters or a flame to check for leaks.
5. **DO NOT** use grill until all leaks have been stopped. If you are unable to stop a leak, disconnect the propane supply, call for gas appliance service or your local propane gas supplier.

Checking for Leaks

1. Make 2-3 oz. of leak solution by mixing one part liquid dishwashing soap with three parts water.
2. Make sure control knobs are in the **OFF** position.
3. Spray some solution on the tank valve up to the valve connection. (See diagram to below.)
4. Inspect the solution at the connections for bubbles. If no bubbles appear, the connection is secure.
5. If bubbles appear, you have a leak. Go to step 6.
6. Disconnect the regulator from the tank and reconnect. Make sure the connection is tight and secured.
7. Retest with solution.
8. If “growing” bubbles appear do not use or move the LP cylinder. Contact an LP gas supplier or your fire department!



Lighting Instructions

Prior to the first use, it is important to clean your grill with heat. This will clean the internal parts by burning off any residue and odor from the manufacturing process. To perform this cleaning, operate the grill for approximately 30 minutes at the highest heat setting with the lid closed.

IMPORTANT

Please read these instructions before attempting to light the grill.



Failure to open the lid before igniting may result in an explosive flare-up, which can cause serious bodily injury or death.



DO NOT lean over the open grill when lighting.

1. Turn all gas control knobs to the ● **OFF** position.
2. Turn on gas valve from gas source.
3. Lid **MUST** be open when lighting.
4. To ignite a burner, push and turn any control knob to the 🔥 **HIGH** position.
5. Press and hold the ⚡ electronic igniter button to light the selected burner.
6. If the burner does **NOT** ignite in five seconds, turn the burner control knob to the ● **OFF** position, wait at least five minutes for the gas to clear and repeat this lighting procedure.

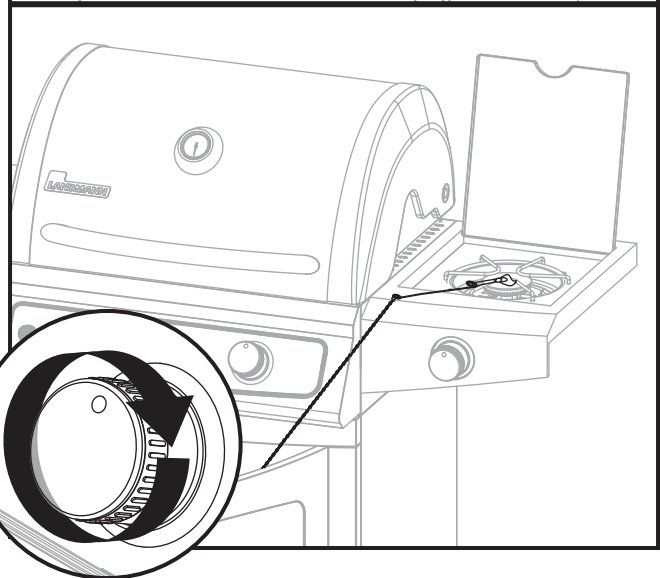
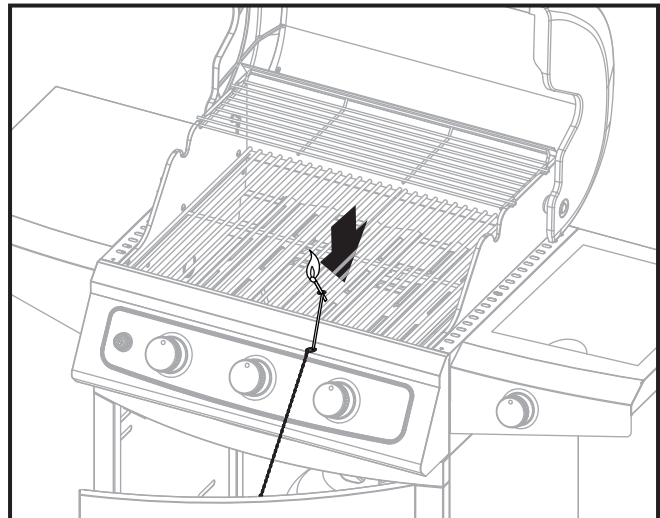


Failure to follow the five-minute waiting period may result in an explosive flare-up, which can cause serious bodily injury or death.

7. To extinguish the burner, push in the control knob(s) and turn clockwise to the ● **OFF** position.

Side Burner Lighting

1. Turn ● **OFF** gas burner control valves.
2. Turn on gas source or tank.
3. Open lid during lighting.
4. Push and hold down the control knob and turn **SLOWLY** (2 to 3 seconds) to ⚡ **IGNITE**. You should hear the igniter click.
5. If ignition does not occur in 5 seconds, turn the burner control ● **OFF**, wait 5 minutes and repeat the lighting procedure.



Match Lighting

Note: Match lighting tool (W) is located on the inside of the door (K).

1. Turn all gas control knobs to the ● **OFF** position.
2. Turn on gas valve from gas source.
3. Lid **MUST** be open when lighting.
4. Remove the match lighting tool and stick a match into the end of the tool.
5. Light the match.
6. Once lit, guide the lit match under the grate.
7. Push in and turn the control knob to 🔥 **HIGH** for the burner closest to the light match. The burner should light immediately.
8. Adjust burner control knob to the desired cooking temperature.



Care and Maintenance

Please use the following guidelines to keep your grill clean and looking new. Before any cleaning, make sure all the burners are in the ● **OFF** position and grill is cool to the touch.

Cleaning the Outside of the Grill

For the stainless steel surfaces, wash the outside of the surface with a soft cloth and a soap and water solution, and rinse with water.

- When cleaning, always rub or wipe in the direction of the stainless steel grain.
- For stubborn spots, always clean in the direction of the stainless steel grain.
- **DO NOT** clean stainless steel with anything containing acid, mineral spirits or xylene.
- **DO NOT** use a wire brush or any abrasive cleaner on the stainless steel surface as this will cause scratches in the stainless steel finish.

Cleaning the Inside of the Grill

For safety and efficiency, it is important to remove any debris or excess grease that may accumulate inside the grill.

- Wipe off the inner lid liner with a paper towel to prevent grease build up.
- Wash the inside of the lid with warm, soapy water and rinse with water.
- Inside the cooking chamber wash with warm, soapy water and rinse with water.
- The burn-off method is one way to clean the stainless steel rod grates. After cooking, turn the burners to HIGH and run for approximately 15 minutes with the lid closed. Then turn off the burners, carefully open the lid and use a wire brush to clean the excess food residue off the grates.
- For the stainless steel flame tents, clean residue off with wire brush and wash with a mild soapy water. Rinse with water.
- Remove the grease box from the tray and wipe off the inner box with a paper towel to remove excess grease. Then wash the inside of box with warm, soapy water and rinse with water. For easier cleanups, you can line the interior of the box with aluminum foil.
- Remove the grease tray from the grill and wipe off the top surface with a paper towel to remove excess grease. Then wash the top surface with warm, soapy water and rinse with water.



DO NOT line the grease tray with aluminum foil.

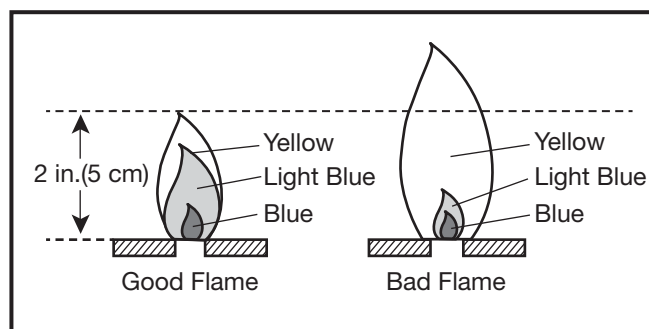
Hose Inspection

The hose should be inspected periodically for any signs of cracking, nicks, cuts or abrasions.

- If the hose is found to be damaged in any way, **DO NOT** use the grill.
- The hose must be replaced by a certified hose as shown in the replacement parts section.

Checking the Flame

The flame coming out of the burners should be a blue/yellow combination and between one to two inches tall (see below).



To Remove Burner

Make sure all control knobs are in the ● **OFF** position, the LP gas supply valve has been closed, and the gas hose is disconnected from the gas supply.

1. Open Lid and remove warming rack, cooking racks and flame tents.
2. Using a 2 pt Phillips screwdriver, loosen the bolt holding the burner in the back of the grill.
Note: This is a bolt/nut combination so make sure to hold the nut while removing the bolt.
3. Slide the burner forward and out of the firebox.
4. Detach the ignition wire from the ignitor.

To Clean Burner

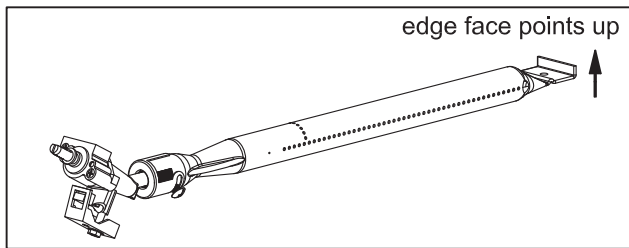
- Make sure all burner ports are clear of any clogs.
Tip: Use a pin or paper clip to unclog.
- Make sure the burner is free of any damage. If damage is found, replace the burner.
- Make sure the end of the burner and primary air screen are clear from insect nests, dirt, or debris.



Care and Maintenance

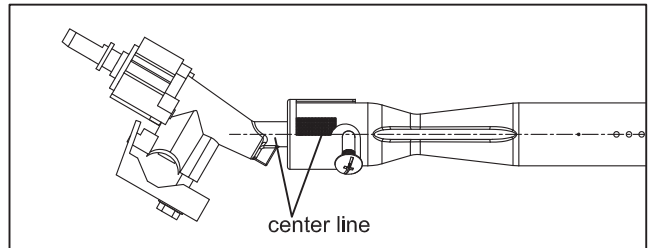
To Reinstall Burner

1. Be sure the gas valve orifices are correctly positioned inside the burner inlet.
2. Reattach the bolt/nut combination.
3. Reposition flame tents, cooking racks, and warming rack.



Changing AA Battery

When changing the AA battery, make sure to only use standard AA batteries, ensuring the proper polarity when positioning the battery. Remove the Igniter button cape and insert the AA battery so the positive (+) terminal of the battery is facing out of the battery box.



Cooking Methods And Grilling Tips

Direct Heat

Direct heat cooking means that the food is placed on grill grates directly over the lighted burners.

- The lid position can be either up or down.
- If the lid is in the up position, generally cooking time may be longer.
- Direct heat is used to sear the food to seal in the natural juices by cooking with intense heat for a short period of time. The outside of the food is browned with a flavorful grilled coating.

Indirect Heat

Indirect heat cooking means the food is placed on the grill grate above an unheated burner, allowing the heat from the lighted burner(s) on either side to cook the food.

- For best results, turn on two burners and cook with the lid down. This will shorten the cooking time.
- **DO NOT** select indirect heat cooking when it is windy outside.


Before Grilling

- Make sure that the food items are completely thawed before grilling.
- With the lid closed, heat the grill on high (using all burners) for 10-15 minutes until the temperature reaches over 500° F. This timing is influenced by ambient conditions such as wind and air temperature.
- **DO NOT** lift the lid during the heating process.
- The preheating process with high heat is necessary to brown and seal juices of the food.
- For high-fat meat and poultry, trim excess fat from meats and shorten the preheat time. Both will help reduce flare-ups from dripping grease.
- Lightly oil the cooking grates when cooking low-fat meat, fish or poultry. Beware that using too much oil can cause a gray ash to deposit on the food.

During Grilling

- The temperature gauge on the lid indicates the cooking temperature inside the grill.
- Turn foods only once if possible. Juices are lost when meat is turned several times.
- Turn meat just when the juices begin to appear on the surface.
- Avoid puncturing or cutting the meat to test doneness. This allows the juices to escape.
- Add barbecue sauce only during the last 10 minutes of cooking to avoid burning the sauce.
- The doneness of the meat will be controlled by the type of meat, the size, shape and thickness of the meat, the heat setting or method, and the length of time on the grill.
- Cooking time will be longer with an open grill lid.
- Allow for more cooking time on cold and windy days, or at higher altitudes. In reverse, allow for less cooking time in extremely hot weather.
- Grilling conditions may require adjustments of the burners to obtain and maintain the correct cooking temperatures.
- Crowding food on the cooking grate will require more time to cook the food.
- Use tongs for turning and handling meat instead of a fork, to avoid losing the meat juices.
- If a flare up occurs, turn all the burners to the **OFF** position and move the food to another area of the cooking grate. After flames subside, relight the burners using the lighting instruction in this manual.
- **NEVER** use water to extinguish flame on a gas grill.

Troubleshooting

Problem	Cause	Solution
Grill will not light.	<ol style="list-style-type: none"> 1. LP cylinder valve is closed. 2. LP cylinder gas level is low. 3. Igniter battery is not properly installed or battery needs to be replaced. 4. “Match lighting” may be necessary. 5. Connections to the igniter or electrodes are loose. 6. Electrodes may be wet. 7. Debris is blocking the electrodes. 8. No spark shows at igniter tip. 	<ol style="list-style-type: none"> 1. Turn ON LP cylinder valve. 2. Replace LP cylinder. 3. Properly install or replace igniter battery. 4. “Match lighting” light grill per this manual’s instructions. 5. Reconnect or replace wiring to igniter or electrodes. 6. Dry electrodes with dry cloth. 7. Clean electrodes with rubbing alcohol and retry. 8. Replace igniter.
Flame will not stay lit.	<ol style="list-style-type: none"> 1. LP cylinder valve is closed. 2. LP cylinder gas level is low. 3. Burner is not properly installed or dirty. 	<ol style="list-style-type: none"> 1. Turn ON LP cylinder valve. 2. Replace LP cylinder. 3. Reinstall burner properly and clean out any debris.
Flame is low, irregular or noisy.	<ol style="list-style-type: none"> 1. LP cylinder gas level is low. 2. Burner ports may be clogged. 3. Gas supply may be bent or kinked. 4. Burner may be getting too much air. 5. Grill may be in an area that is too windy. 6. There are obstructions such as grease, debris, or insects in air inlets. 7. Air shutter needs adjustment. 	<ol style="list-style-type: none"> 1. Replace LP cylinder. 2. If only one burner is affected, check and clean the burner ports. 3. Straighten out the gas supply hose. 4. If burner flame is mostly yellow or orange, adjust the air shutter. 5. Wait until wind subsides to continue. 6. Clean burner air inlets of obstructions. 7. Adjust air shutter.
<p>Excessive flare-ups</p> <div style="border: 1px solid black; padding: 5px; margin-top: 10px;">  <p style="text-align: center; margin: 0;">CAUTION</p> <p>DO NOT spray water on the gas flames – this could damage the grill.</p> </div>	<ol style="list-style-type: none"> 1. Flare-up are normally caused by excessive fat from meat being grilled. 2. Grill is dirty. 3. The cooking temperature may be too high. 4. Lid is closed. 5. Food is overcooked or burnt. 6. Grease tray and grease box are full of grease. 	<ol style="list-style-type: none"> 1. Quite grasa de la carne que vaya a asar. 2. Asegúrese de que la parrilla esté limpia. 3. Mantenga baja la llama o apague un quemador. 4. Mantenga la cubierta abierta cuando esté asando para así evitar demasiadas llamaradas. 5. Ponga los alimentos en la rejilla para calentar hasta que las llamas se hayan reducido. 6. Limpie la bandeja y el recipiente para la grasa.



Replacement Parts

Questions, problems, missing parts? Before returning to your retailer, call our customer service department at 1-800-321-3473, 8:00 a.m. – 5:00 p.m., EST, Monday – Friday.

Part	Description	Part#	Part	Description	Part#
A	Bottom panel	FA0051	R	Cooking grate	FA0094
B	Non-locking caster	FA0053	S	Warming rack	FA0100
C	Locking caster	FA0054	T	Grease tray	FA0018
D	Tank tray bolt	FA0004	U	Grease box	FA0104
E	Left side panel of cart	FA0058	W	Lower door magnet	FA0020
F	Right side panel of cart	FA0057	X	Match lighting tool (not shown)	FA0027
G	Back panel of cart	FA0060	Z	Control knob base	FA0035
H	Cart frame	FA0063		Control knob	FA0030
I	Ignition line	FA0140		Temperature gauge	FA0022
J	Grill body	FA0075		Electronic igniter button	FA0023
K	Door	FA0078		Lid	FA0039
L	Door bottom pin	FA0011		Lid handle	FA0117
M	Control knob	FA0021		Lid holding pins with cotter pin	FA0119
N	Left shelf	FA0086		Door handle	FA0118
N-S	Left shelf support	FA0138		Regulator/Hose/LP coupler	FA0029
O	Side burner	FA0088		SS Tube burners	FA0107
O-S	Side burner grate	FA0089		Igniters	FA0031
P	Right shelf	FA0087			
P-S	Right shelf support	FA0086			
Q	Flame tent	FA0091			



Grilling Guidelines

Type	Description	Cooking Method	Burner setting	Thickness	Total time	Instructions
BEEF						
Steaks	NY Strip, Rib eye, Porterhouse, T-Bone, Sirloin, Filets	Direct	High	1 in / 2.5 cm	10-15 min	Turn meat only once, halfway through the grilling time
	NY Strip, Rib eye, Porterhouse, T-Bone, Sirloin, Filets	Direct	High	2 in / 5 cm	18-22 min	Turn meat only once, halfway through the grilling time
	Flank (per lb / kg)	Direct	Medium	.75 in / 1.9 cm	11-20 min	Depends on the weight of the meat for the timing
Hamburgers	Ground beef patty	Direct	Medium	.75 in / 1.9 cm	10-15 min	Turn meat only once, halfway through the grilling time
Roasts	Rib eye, Sirloin	Indirect	Medium		30-40 min	This time is rated on weight of the meat (i.e. 30-40 minutes per lb / kg)
PORK						
Chops		Direct	High	.75 in / 1.9 cm	10-15 min	
		Direct	High	1.5 in / 3.8 cm	25-35 min	
Ribs	2-5 lb / .9-2.2 kg racks	Indirect	Medium		50-70 min	Turn occasionally. Sauce in last 10 minutes
Roast	Tenderloin (per lb / kg)	Direct	Medium		15-20 min	Turn to brown all sides
CHICKEN						
Breast	Boneless, skinless	Direct	Medium	6-8 oz / 170.1-226.8 g	10-15 min	
Thighs	Boneless, skinless	Direct	Medium	4-6 oz / 113.4-170.1 g	8-13 min	
Whole		Indirect	Medium	4-6 lbs / 1.81-2.71 kg	60-80 min	
TURKEY						
Whole	Unstuffed	Indirect	Medium	10-12 lbs / 4.5-5.4 kg	2-2.5 hours	
Breast	Bone-in	Indirect	High		14-18 min	
FISH						
Filletts or steak	Swordfish, Tuna, Salmon, Halibut, etc.	Direct	Medium		4-6 min	Per .5 in / 1.3 cm thickness. Grill, turning once.
Whole	Catfish, Trout, etc. (12 oz / 340 g)	Indirect	Medium		10-12 min	Per side



Grilling Guidelines

Type	Description	Cooking Method	Burner setting	Thickness	Total time	Instructions
Shrimp	18-20 oz / 510-566 g	Direct	High		3-6 min	
VEGETABLES						
Corn on the Cob	In Husk	Direct	Medium		20-30 min	
	Husked	Direct	Medium		12-15 min	
Potatoes	Baking, whole	Direct	High		45-90 min	Individually wrapped in aluminum foil. Rotating occasionally
	Sweet, whole	Direct	Medium		40-70 min	Individually wrapped in aluminum foil. Rotating occasionally
Peppers	Roasted	Direct	High		15-20 min	
Onion	Sliced	Direct	Medium		8-12 min	Grill, turning once.
Squash	Summer, Zucchini	Direct	Medium		7-10 min	
Asparagus	.5 in / 1.2 cm diameter	Direct	Medium		6-8 min	

Made in China / Fabriqué en Chine / Hecho en China



Warranty

This Liquid Propane Gas Grill is warranted to be free of defects in material and workmanship when properly assembled, used in a normal household setting and cared for as directed in these instructions for one (1) year from the date of the original retail purchase.

The only exception to this covers the Stainless Steel Tubular burners that have a three (3) year warranty from the date of the original retail purchase. Corrosion, scratching and discoloration due to improper use and care of this grill is excluded from this warranty.

This warranty does not cover damage or issues related to neglect, abuse, accident, misuse, misapplication, improper assembly, transportation damages, commercial use or **ANY** modifications made to this product. Repair labor is not covered. This warranty is the only warranty offered and is in lieu of all other warranties, whether expressed or implied, which includes implied warranty, merchandising or use for a particular purpose.

All replacement parts that meet the warranty requirements will be shipped at no charge via the discretion of the manufacturer (ground shipments, US Mail, UPS or FedEx). Any special handling charges (i.e. Second Day, overnight, etc.) will be the responsibility of the consumer.

All warranty claims apply only to the original purchaser and require a proof of purchase verifying the purchase date. Do not return parts without first obtaining a return authorization number from our customer service department.

Our customer service department can be reached at 1-800-321-3473 8:00 AM - 5:00 PM (EST) English Only, or Email CustomerService@landmann-usa.com

Please note for the United States, that some state states do not allow the exclusion or limitation of incident or consequential damages or limitations on how long an implied warranty lasts, so the above limitations or exclusions may not apply to you. This warranty gives you specific legal rights and you may also have other legal rights which may vary from state to state.



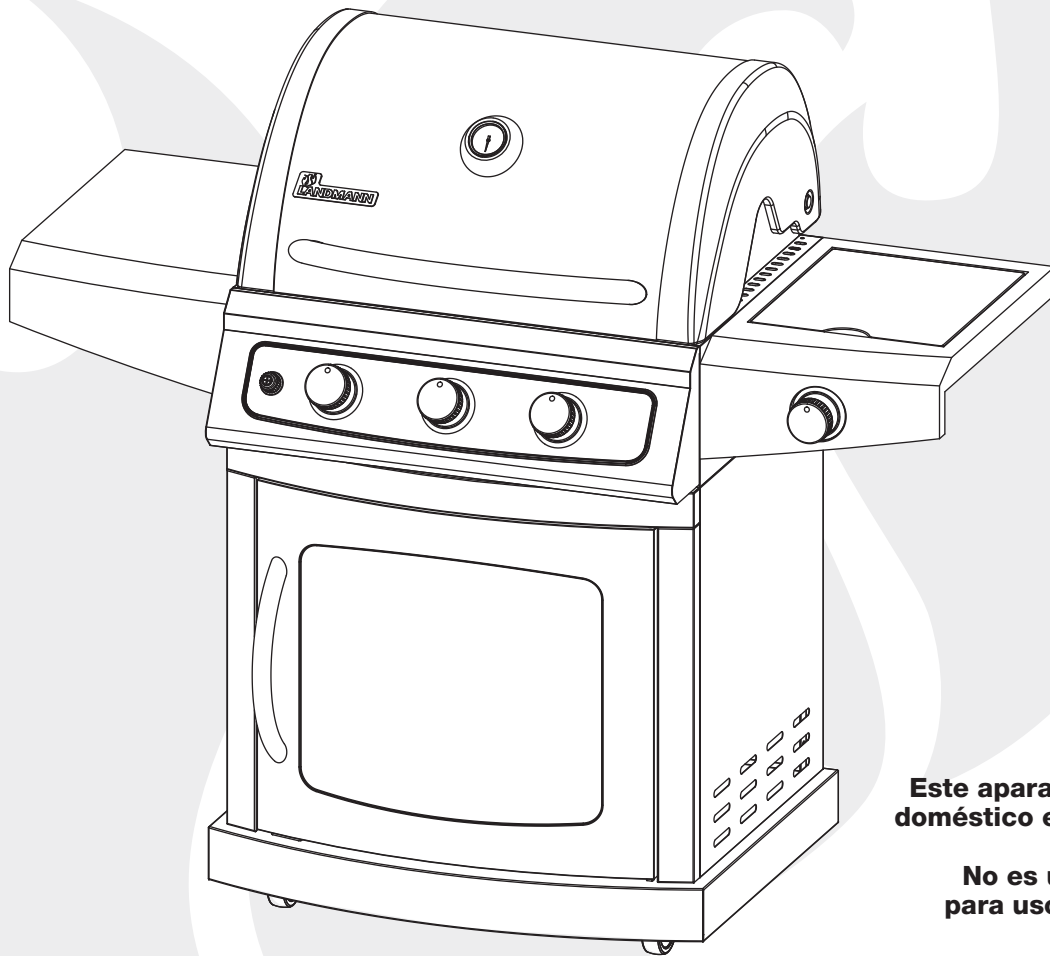
7405 Graham Road
Fairburn, Georgia 30213

www.landmann-usa.com





LANDMANN



Este aparato es para uso doméstico exclusivamente.

No es un aparato para uso comercial.

**INSTRUCCIONES DE MONTAJE, CUIDADO Y USO
LEA CON ATENCIÓN**

**IMPORTANTE:
CONSERVE ESTAS INSTRUCCIONES PARA FUTURA REFERENCIA.**



**Parrilla de propano líquido con 3 quemadores
para barbacoa**

MODELO 42135 / 42211

¿Preguntas, problemas, piezas faltantes? Antes de devolverlo a su vendedor minorista, llame a nuestro departamento de atención al cliente al: 1-800-321-3473 entre 8:00 a.m. y 5:00 p.m. (EST), sólo en inglés, o envíe un correo electrónico a CustomerService@landmann-usa.com

Contenido

Información importante sobre la seguridad	27	Conexión del tanque de gas	42
Información de seguridad sobre el propano líquido (PL).....	29	Instrucciones para el encendido	43
Contenido del empaque.....	31	Cuidado y mantenimiento	44
Preparación	32	Métodos de cocción y consejos para asar a la parrilla	45
Material incluido	32	Resolución de problemas.....	46
Herramientas necesarias.....	32	Lista de piezas de repuesto	47
Instrucciones de montaje.....	32	Indicaciones para asar a la parrilla.....	48
Montaje del tanque.....	41	Garantía.....	50

Ensamblador/Instalador

Este manual de instrucciones contiene información importante que es necesaria para montar este aparato adecuadamente y usarlo de manera segura. Antes de montar y de usar este aparato, lea y respete todas las advertencias e instrucciones.

Dejar estas instrucciones con el consumidor.

Consumidor/Usuario

Al usar este aparato, respete todas las advertencias e instrucciones.

Conserve estas instrucciones para futura referencia.

PELIGRO

Si percibe olor a gas:

- 1. Cierre el suministro de gas al aparato.**
- 2. Apague toda llama expuesta.**
- 3. Abra la tapa.**
- 4. Si el olor persiste, manténgase alejado del aparato y llame a su proveedor de gas o al Departamento de Bomberos.**
- 5. No seguir estas instrucciones podría provocar una explosión o peligro de quemaduras, lo cual podría causar daños materiales, daños personales o la muerte.**

ADVERTENCIA

- 1. NO** almacene ni use gasolina u otros líquidos o vapores inflamables cerca de esta unidad o de cualquier otro electrodoméstico.
- No se debe almacenar cerca de esta unidad ni de otro electrodoméstico ningún tanque de PL (propano líquido) que no esté conectado para usarlo.
- Esta parrilla es para **USO EXCLUSIVO EN EXTERIORES** y no se debe utilizar dentro de un edificio, cochera, bajo un saliente ni en ninguna otra área cerrada.
- NO** deje desatendida una parrilla encendida. Mantenga a los niños y mascotas lejos de la parrilla en todo momento.
- Este aparato es para uso doméstico exclusivamente. No es para uso comercial.**

Información importante sobre la seguridad

PRECAUCIÓN

No hacer caso a las advertencias y precauciones en este manual de instrucciones puede ocasionar lesiones graves o la muerte, o puede provocar un incendio o una explosión que cause daños materiales.

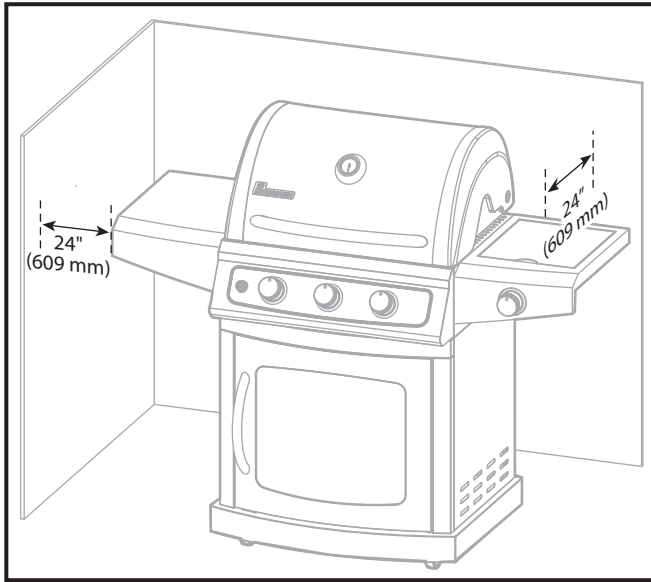
- Asegúrese de seguir con atención todas las instrucciones de montaje. Un montaje incorrecto puede ser peligroso.
- Para encender esta parrilla, **NUNCA** use carbón, líquido para encendedores, gasolina, queroseno ni alcohol.

- Al encender la parrilla o al cocinar, **NO** se incline sobre la parrilla abierta.
- Abra siempre la cubierta lentamente y con cuidado, ya que el calor atrapado en el interior de la parrilla puede causar quemaduras graves.
- NO** ponga las manos o los dedos en el borde de la cámara de combustión cuando la cubierta esté abierta o cuando la parrilla esté caliente.
- Mantenga a los niños y mascotas lejos de la parrilla cuando esté usándola. Las partes accesibles pueden estar muy calientes.
- Mientras la parrilla esté en funcionamiento, **NO** intente desconectar el regulador del gas ni la unidad de mangueras o las conexiones del gas.



Información importante sobre la seguridad

- La parrilla **NO** se debe colocar debajo de una construcción combustible elevada no protegida. Deje siempre por lo menos 24" de separación desde la parte superior, inferior y posterior, así como 24" a los lados de la parrilla (ver abajo).



- Esta parrilla es para uso en exteriores y **NO** se debe utilizar dentro de un edificio, cochera ni en ninguna otra área cerrada.
- **NO** obstruya el flujo de los gases de combustión ni del aire de ventilación. Mantenga libres las aberturas de ventilación del compartimento del tanque y sin residuos.
- En caso de que los quemadores se apaguen cuando la parrilla esté en funcionamiento, apague todas las válvulas de gas. Levante la cubierta y espere cinco minutos antes de intentar volver a encender la parrilla según las instrucciones de encendido.
- Mantenga la parrilla limpia y libre de materiales combustibles, gasolina y otros vapores y líquidos inflamables.
- **NUNCA** guarde los tanques extras o desconectados de propano líquido debajo o cerca de la parrilla.
- Cuando la parrilla esté en funcionamiento, use siempre guantes o manoplas para barbacoa resistentes al calor.
- Mientras esté en funcionamiento, **NO** deje la parrilla sin atender ni la mueva.
- Esta parrilla no está destinada para usarse o instalarse en vehículos de uso recreativo, embarcaciones, remolques ni nada que se mueva.
- **NO** coloque la cubierta ni nada inflamable sobre la parrilla mientras esté en funcionamiento o mientras esté caliente.
- Está permitido almacenar en interiores un aparato de gas para cocinar para uso en exteriores siempre y cuando el tanque esté desconectado y no esté instalado en el aparato.
- Cuando la parrilla no esté en uso, asegúrese de que el gas esté apagado en la posición **• APAGADO** en el tanque de suministro.
- Los tanques se deben guardar en exteriores y fuera del alcance de los niños. El tanque no se debe guardar dentro de un edificio, cochera ni en ninguna otra área cerrada.
- Revise siempre la manguera de suministro de gas antes de cada uso. Si la manguera muestra señales de abrasión o cortes, **NO** use la parrilla. Se debe cambiar de manguera antes de usar de nuevo.
- Revise siempre que en los quemadores y tubos de Venturi no haya insectos ni nidos de insectos.
- Verifique siempre que las conexiones no tengan fugas cuando conecte y desconecte el tanque de suministro de gas PL.



PRECAUCIÓN

Se debe usar la unidad del regulador de presión y la manguera incluidos con esta parrilla. Todo lo que se requiera para sustituir la unidad del regulador y la manguera se deberá obtener a través del fabricante, LANDMANN-USA.

- Los tanques de gas deben incluir un collarín para proteger la válvula del tanque.
- Los tanques de gas PL abollados u oxidados pueden resultar peligrosos y es necesario que su proveedor de gas PL los revise.
- **NO** utilice tanques de gas PL que tengan la válvula dañada.
- No agrande los orificios de la válvula o los puertos de los quemadores al limpiar las válvulas o los quemadores.
- Si ve, percibe un olor o escucha un ruido sibilante del gas que se escapa de un tanque de gas PL, aléjese del tanque de gas. No intente resolver el problema usted mismo; llame al Departamento de Bomberos.
- Si la grasa se prende fuego, apague todos los quemadores moviéndolos a la posición **(• APAGADO)** y deje cerrada la cubierta hasta que el fuego se extinga.
- **NO** modifique la parrilla en forma alguna. Cualquier modificación invalida automáticamente la garantía.
- **NO** use la parrilla en situaciones donde haya mucho viento.



Información importante sobre la seguridad

El tanque de suministro de gas PL que se use deberá estar construido y marcado conforme a las Especificaciones para Tanques de Gas PL del Departamento de Transporte de Estados Unidos (DOT) o de la Norma Nacional de Canadá, CAN/CSA-b339 (Tanques, esferas y tubos para traslado de material peligroso).

El tanque de gas PL debe:

- contar con un dispositivo que evite llenarlo demasiado
- contar con un dispositivo de conexión que sea compatible con la conexión de los aparatos de gas para cocinar en exteriores.

Advertencias de la Proposición 65 del Estado de California



Este producto contiene una o más sustancias químicas que el Estado de California sabe que provocan cáncer.



Este producto contiene una o más sustancias químicas que el Estado de California sabe que provocan defectos congénitos o algún otro daño para la reproducción.



Si no se respetan exactamente las instrucciones siguientes, se podría ocasionar un incendio potencialmente fatal o que provoque lesiones graves:

NUNCA almacene ni use gasolina u otras sustancias volátiles cerca de esta parrilla. **NUNCA** almacene un tanque de propano de repuesto cerca de esta parrilla ni en las cercanías de alguna otra fuente potencial de calor.

NUNCA llene el tanque de propano a más del 80 % de su capacidad.



NO almacene un tanque de gas de reserva en la parrilla o cerca de ella.

Coloque el tapón protector en la salida de la válvula del tanque siempre que no se use el tanque. Sólo instale en la salida de la válvula del tanque la tapa protectora que se proporciona con la válvula del tanque. Otros tipos de tapas o tapones pueden dar como resultado fugas de gas propano.



Información de seguridad sobre el propano líquido (PL)

Por favor, revise las indicaciones siguientes y la información sobre la seguridad cuando use gas de propano líquido (PL).

Información general

- Esta parrilla está diseñada para usarse con un tanque estándar de gas PL de 20 libras.
- Cualquier marca de tanque de gas PL de 20 libras es aceptable para usarse con esta parrilla, siempre y cuando sea compatible con los sistemas de retención de ésta (perno de la bandeja del tanque).
- Esta parrilla está diseñada y certificada por CSA internacional para el suministro local de gas PL.
- Esta parrilla **NO PUEDE** convertirse para usar gas natural. **NO** intente convertir esta parrilla para usar un tipo diferente de gas.

Información sobre la seguridad

- El gas PL tiene un olor similar al gas natural.
- El gas PL es más pesado que el aire y el gas que se fugue se puede acumular en áreas bajas y resistirse a dispersarse.
- Los tanques de PL se deben instalar, transportar y almacenar en posición vertical.
- Los tanques de PL no deben dejarse caer ni manejarse de manera brusca.
- **NO** utilice un tanque de PL que esté dañado. Un tanque de PL abollado u oxidado o que tenga la válvula dañada puede resultar peligroso y se deberá sustituir de inmediato por uno nuevo.
- Cierre **SIEMPRE** la válvula del tanque después de usarlo.
- Cierre **SIEMPRE** la válvula del tanque al desconectar el regulador.
- Trate **SIEMPRE** con el mismo cuidado un tanque de PL vacío que uno lleno. Es posible que en el interior del tanque vacío aún haya presión del gas.
- **NUNCA** almacene ni transporte un tanque de PL en un lugar donde la temperatura pueda llegar a los 125 °F (51,6 °C).
- Mantenga los tanques de PL lejos del alcance de los niños y mascotas.
- **NO** almacene los tanques de PL desconectados dentro de un edificio, cochera ni en ninguna otra área cerrada.

- Si el tanque de PL se mantiene en la parrilla después de usarla, asegúrese de que tanto la parrilla como el tanque estén en un área al descubierto, con buena ventilación.
- Al cambiar de tanque de PL, compruebe **SIEMPRE** que no haya fugas en la conexión del tanque con el regulador.

Instalación del tanque de PL

1. Asegúrese de que los controles de todos los quemadores estén en posición **• APAGADO**.
2. Abra la puerta del armario.
3. Colóquelo con cuidado en el orificio grande del panel inferior.
4. Para fijar el tanque de PL en su lugar, atornille el perno de la bandeja de soporte a través de la sección inferior del tanque.
5. Conecte el regulador al tanque: con cuidado **APRIÉTELO CON LA MANO** solamente.
6. **NO** use nunca una llave ni ninguna otra herramienta para apretar esta conexión.
7. Respete todos los códigos y leyes correspondientes.

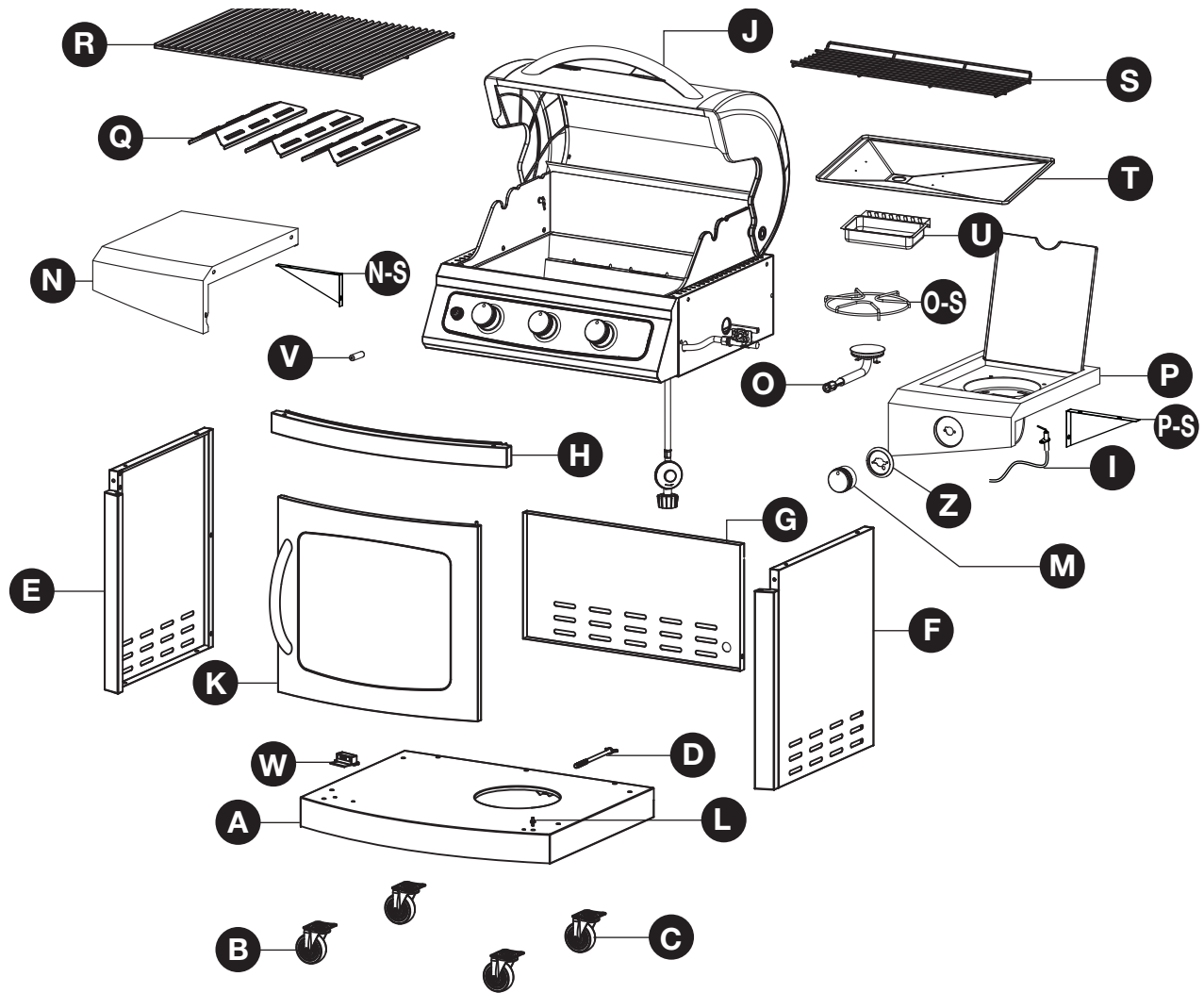
Importante

La instalación en Estados Unidos del aparato de gas PL debe cumplir con los códigos y leyes locales. En ausencia de códigos locales, la instalación del aparato deberá cumplir ya sea con el Código Nacional de Gas, ANSI Z223.1/NFPA54, con el código de Aparatos de Gas Natural y de Propano, CSA B149.1, o con el Código de Manejo y Almacenamiento de Propano, B149.2, según corresponda.

En Canadá, la instalación de esta parrilla deberá cumplir con los códigos locales y/o con la Norma CSA-B149.2 (Código de Manejo y Almacenamiento de Propano).



Contenido del empaque



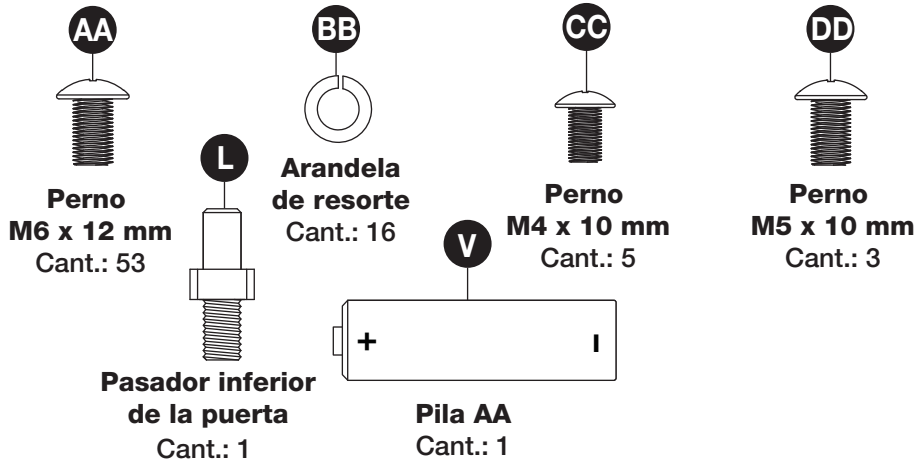
Pieza	Descripción	Cantidad	Pieza	Descripción	Cantidad
A	Panel inferior	1	O	Quemador lateral	1
B	Rueda sin freno	2	O-S	Rejilla del quemador lateral	1
C	Rueda con freno	2	P	Estante derecho	1
D	Perno de la bandeja del tanque	1	P-S	Soporte del estante derecho	1
E	Panel lateral izquierdo	1	Q	Placa para las llamas	3
F	Panel lateral derecho	1	R	Rejilla para cocinar	2
G	Panel posterior	1	S	Rejilla para calentar	1
H	Bastidor del carro	1	T	Bandeja para la grasa	1
I	Línea de encendido	1	U	Recipiente para la grasa	1
J	Cuerpo de la parrilla	1	V	Pila AA	1
K	Puerta	1	W	Imán de la puerta inferior	1
L	Pasador inferior de la puerta	1	X	Implemento para encender con fósforos (no se muestra)	1
M	Base de la perilla de control	1	Z	Base de la perilla de control	1
N	Estante izquierdo	1			
N-S	Soporte del estante izquierdo	1			

Preparación

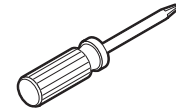
Antes de empezar a montar esta parrilla, asegúrese de que estén todas las piezas (consulte el Contenido del empaque de la página 30 y el Material incluido a continuación). Si falta alguna pieza o si está dañada, **NO** intente montar el producto.

Tiempo estimado de montaje: 50 minutos entre dos personas

Material incluido



Herramientas necesarias

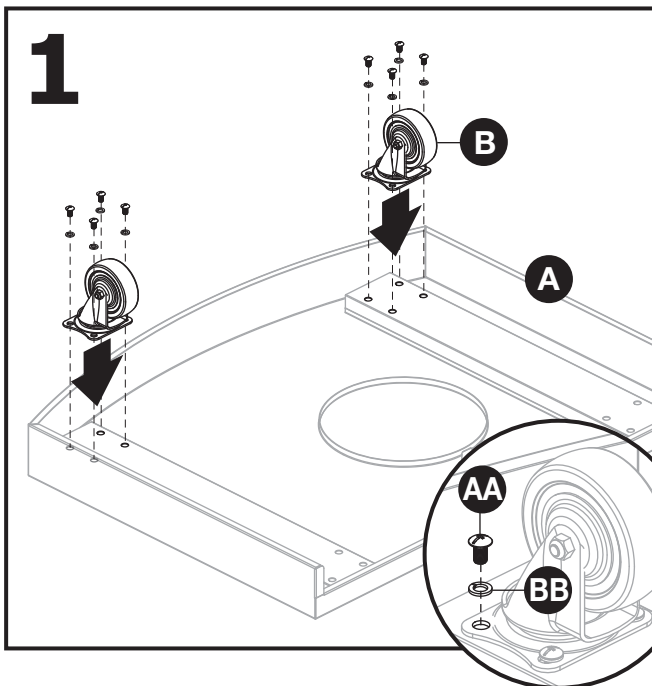


Destornillador
Phillips de 2 pt

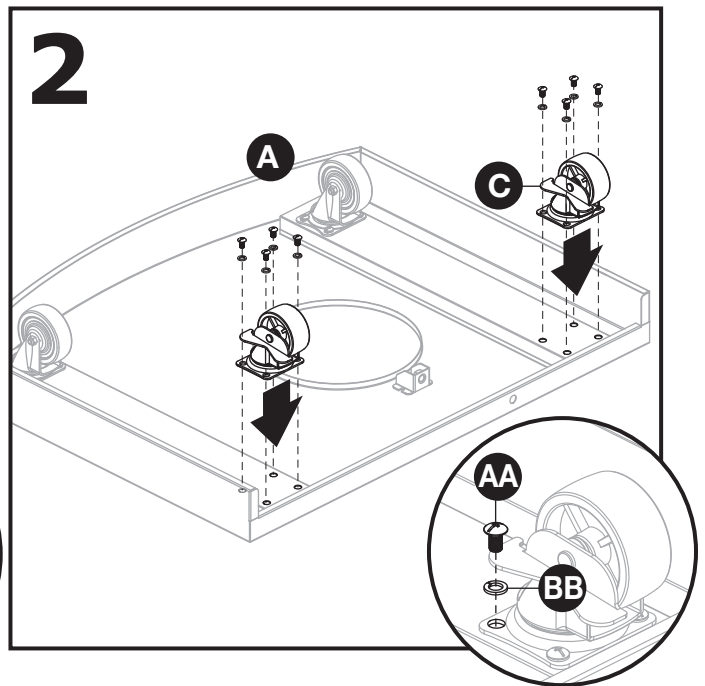


Llave inglesa

Instrucciones de montaje



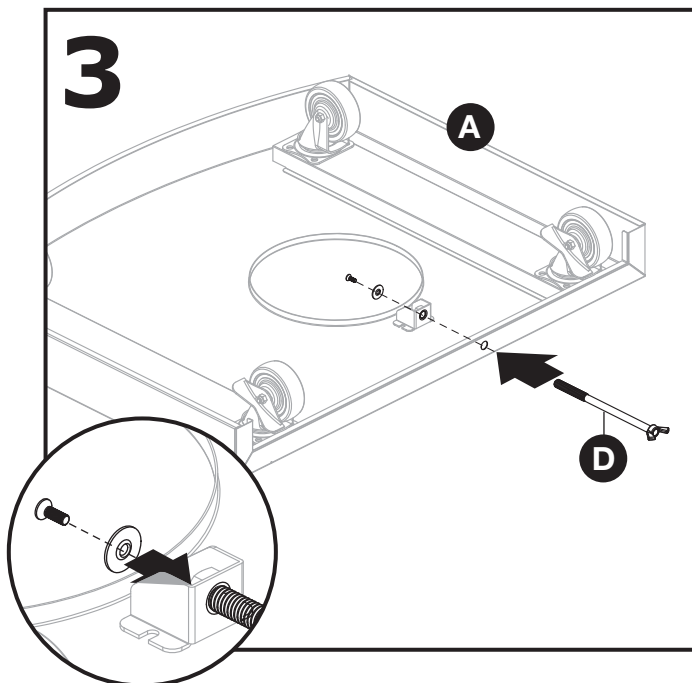
Acople las ruedas sin freno (B) a la parte frontal del panel inferior (A) y fíjelas con las arandelas de resorte (BB) y los pernos.



Acople las ruedas con freno (C) al panel inferior (A) y fíjelas con las arandelas de resorte (BB) y los pernos (AA).

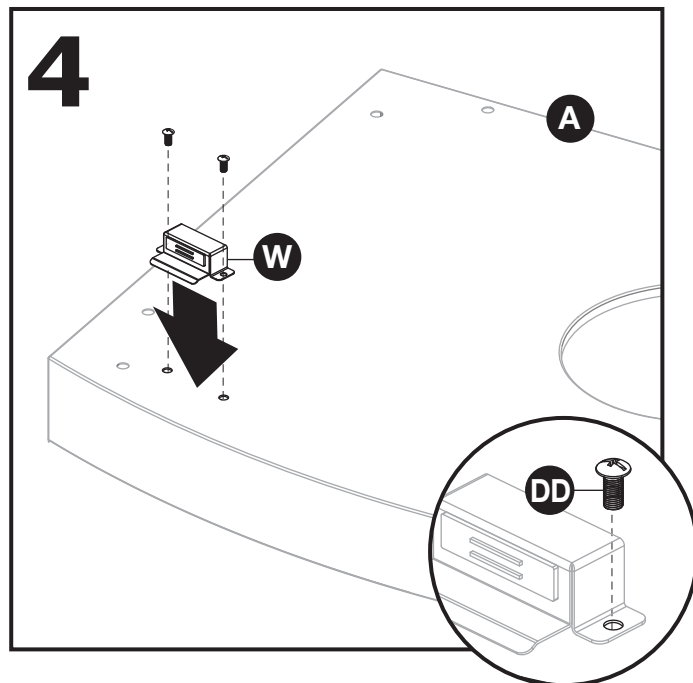


Instrucciones de montaje

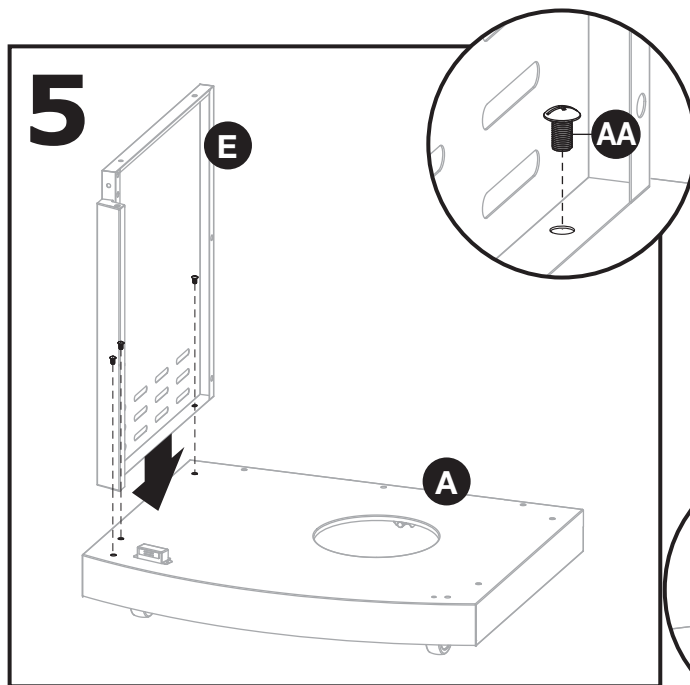


Enrosque el perno (D) de la bandeja del tanque a través del orificio situado en la parte posterior del panel inferior (A) y del soporte. Asegúrelo firmemente con una arandela y un perno pequeño.

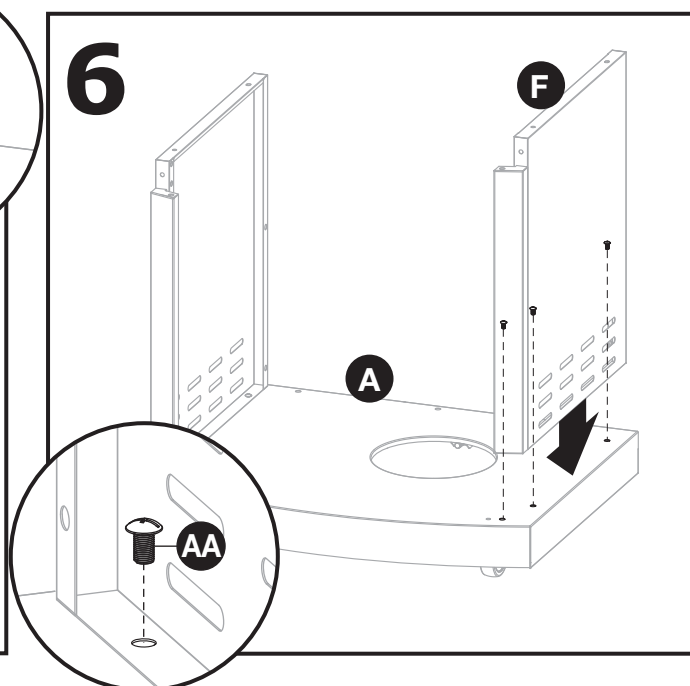
Nota: La arandela y el perno pequeño están unidos al perno (D) de la bandeja del tanque y se deben retirar para el montaje.



Coloque el imán (W) en el panel inferior (A) y fíjelo con los pernos (DD) como se muestra.

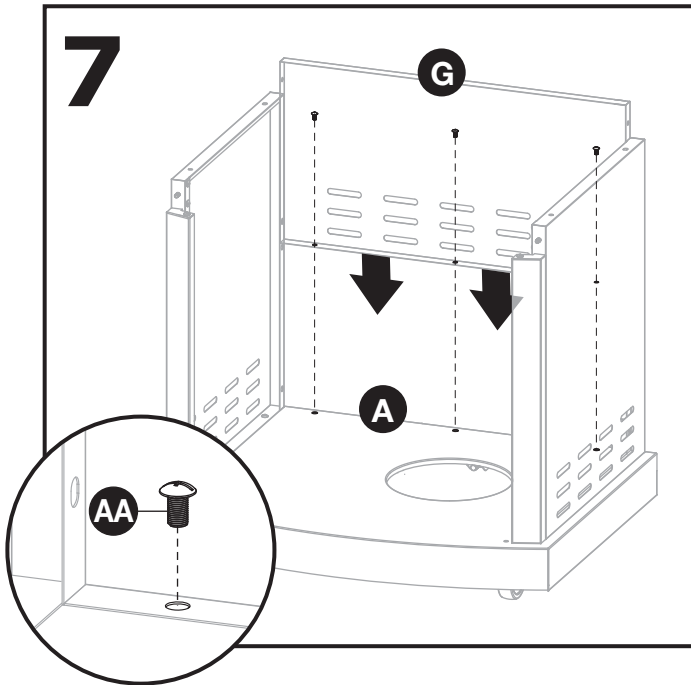


Fije el panel lateral izquierdo (E) al panel inferior (A) con pernos (AA).

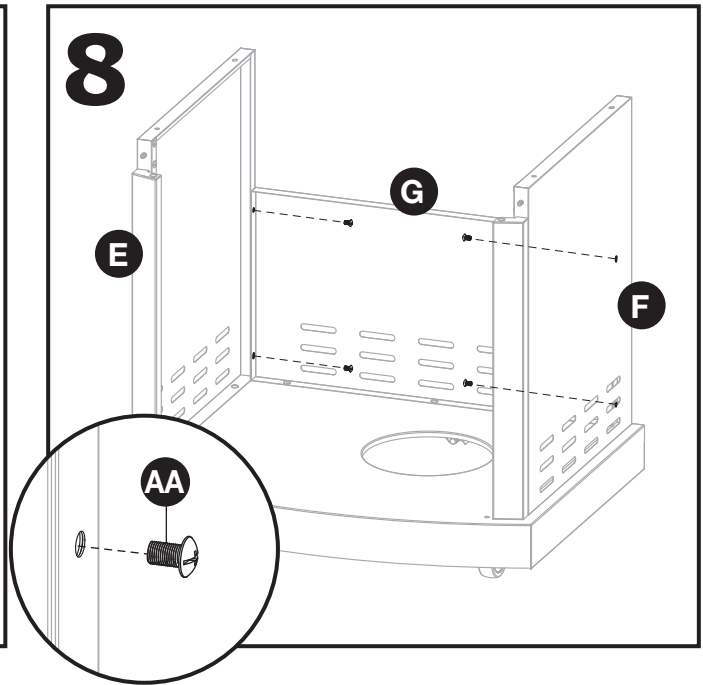


Fije el panel lateral derecho (F) en el panel inferior (A) con los pernos (AA).

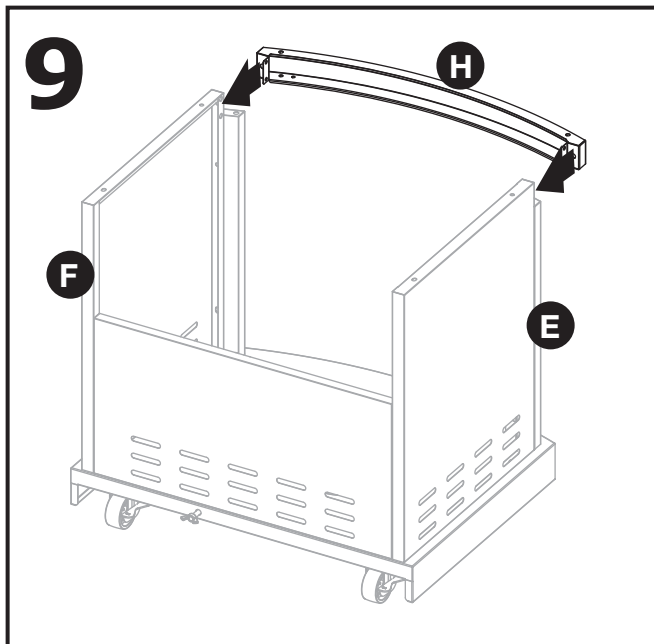
Instrucciones de montaje



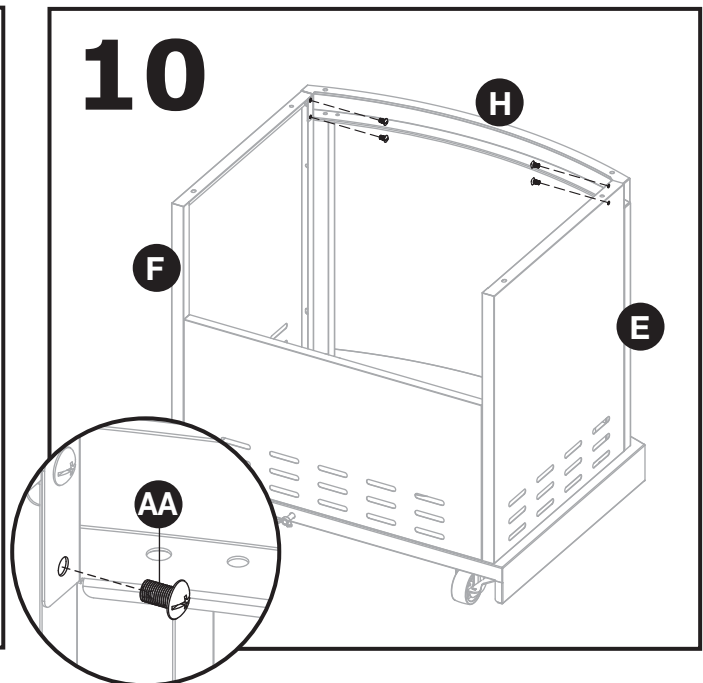
Fije el panel posterior (G) en el panel inferior (A) utilizando los pernos (AA).



Fije el panel posterior (G) en el panel lateral derecho y el izquierdo (E, F) con los pernos (AA), según se muestra.



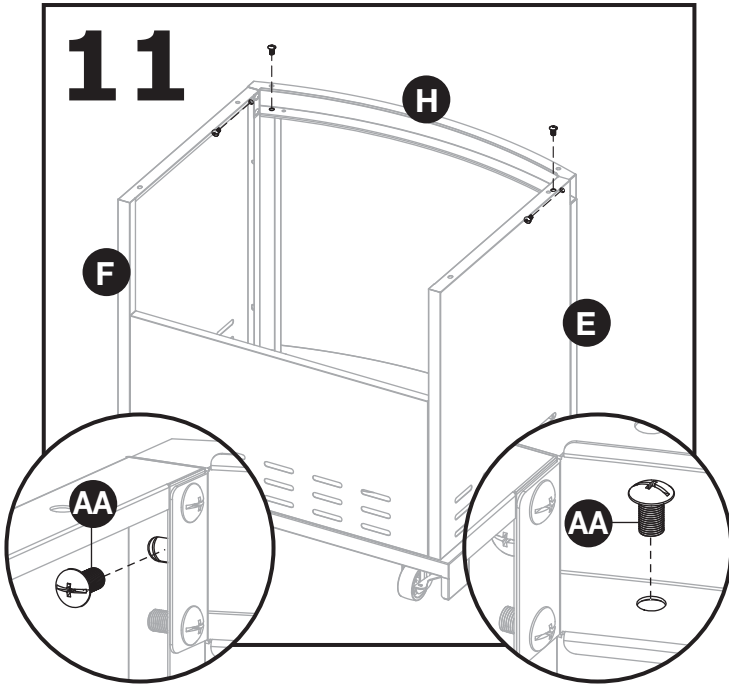
Desde el frente del carro, instale el bastidor del carro (H) en la parte superior de los paneles laterales izquierdo y derecho (E, F).



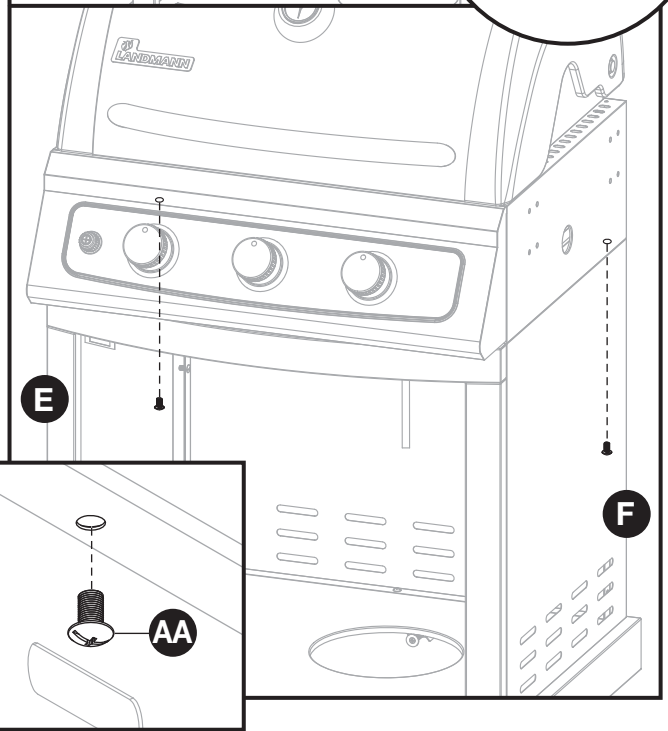
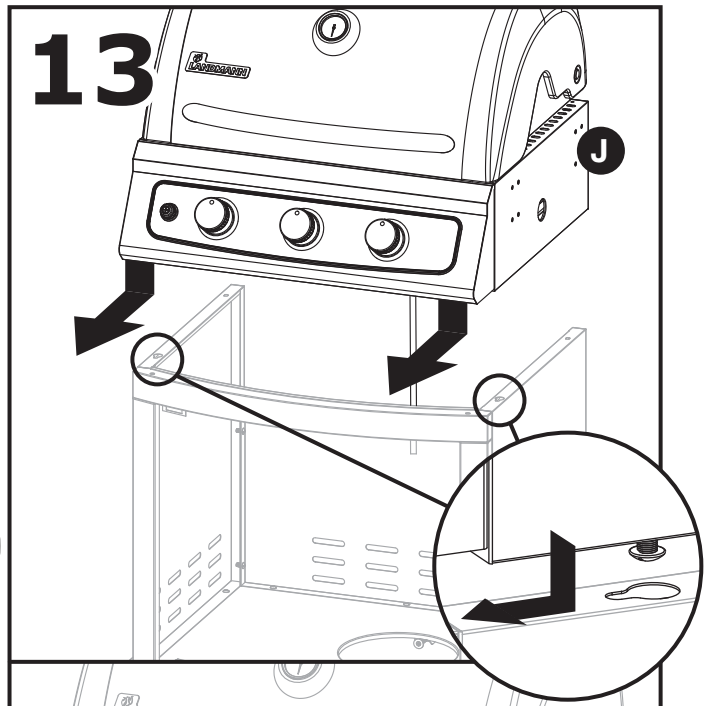
Con los pernos (AA), fije el bastidor del carro (H) a la parte superior de los paneles izquierdo y derecho (E, F), según se muestra.



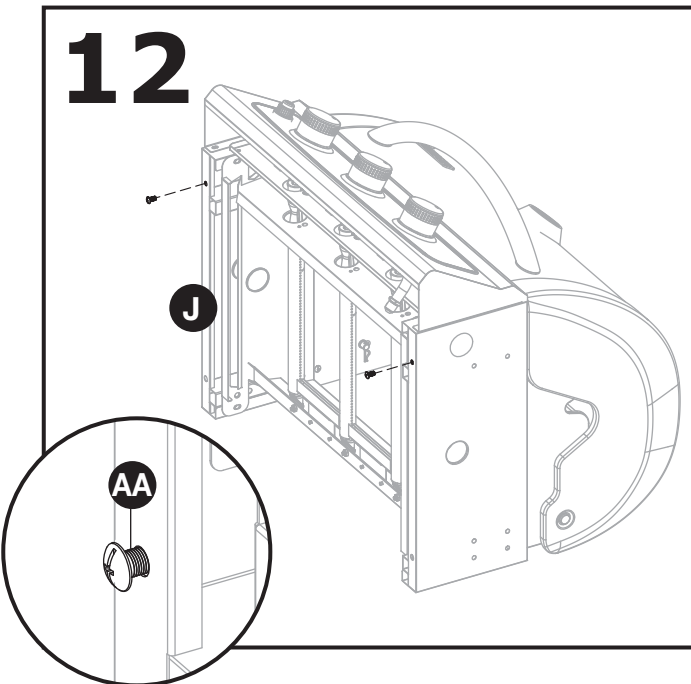
Instrucciones de montaje



Termine de sujetar el bastidor del carro (H) a los paneles laterales (E, F) con más pernos (AA), según se muestra.



Baje el cuerpo de la parrilla (J) sobre el panel lateral izquierdo y el derecho (E, F) y alinee los pernos del paso 12 con los orificios de la parte superior de los paneles. Deslice el cuerpo de la parrilla hacia adelante. Inserte los pernos (AA) en las ubicaciones posteriores correspondientes. Apriete firmemente los cuatro pernos debajo del cuerpo de la parrilla.



Con cuidado, coloque el cuerpo de la parrilla (J). Inserte los pernos (AA) en las dos ubicaciones que estén más cerca del frente del cuerpo de la parrilla. Insértelos **SÓLO** hasta la mitad.



NOTA IMPORTANTE:

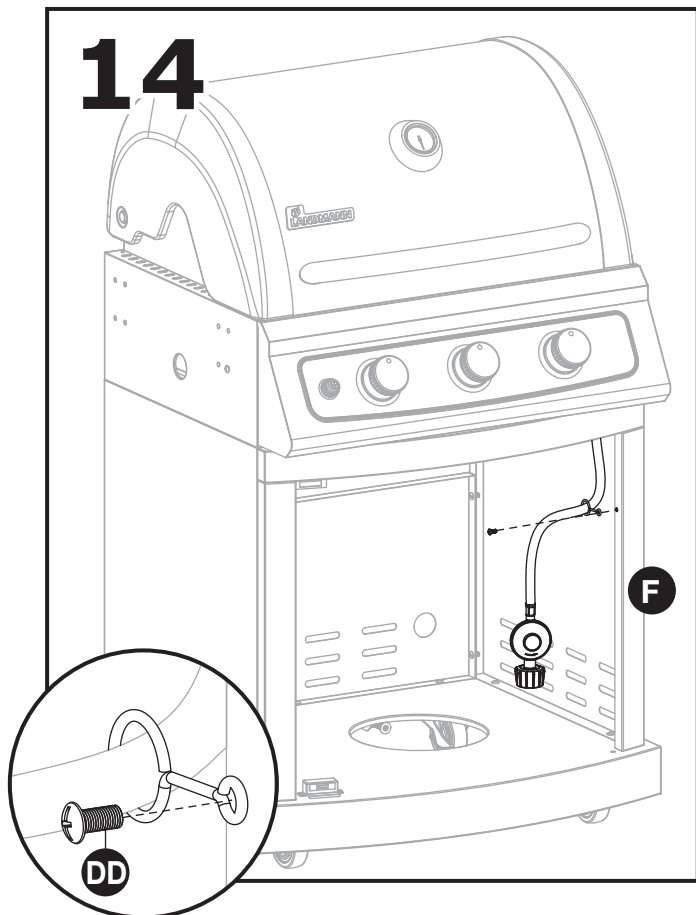
Este paso requiere de dos personas para poder colocar adecuadamente y de forma segura el cuerpo de la parrilla.



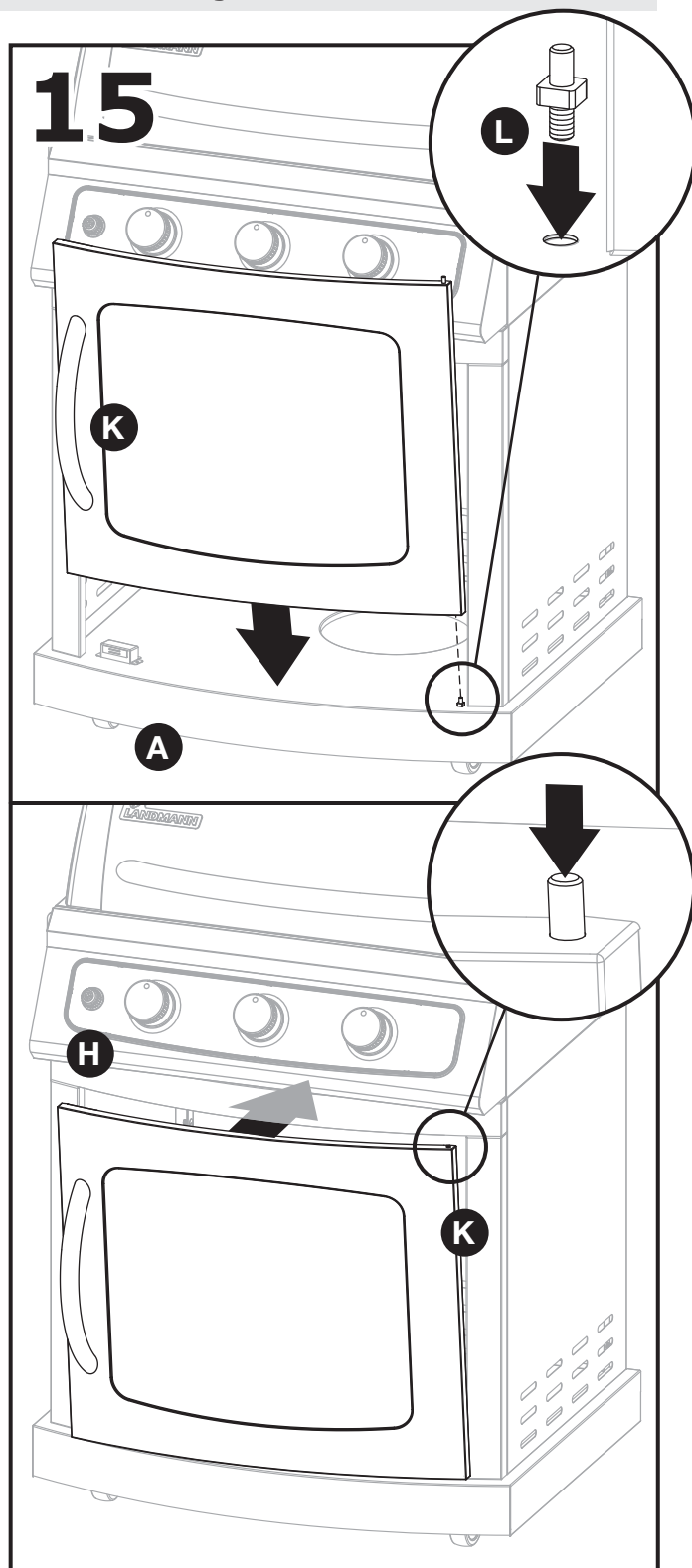
NOTA IMPORTANTE:

Este paso requiere de dos personas para poder colocar e instalar adecuadamente y de forma segura el cuerpo de la parrilla.

Instrucciones de montaje

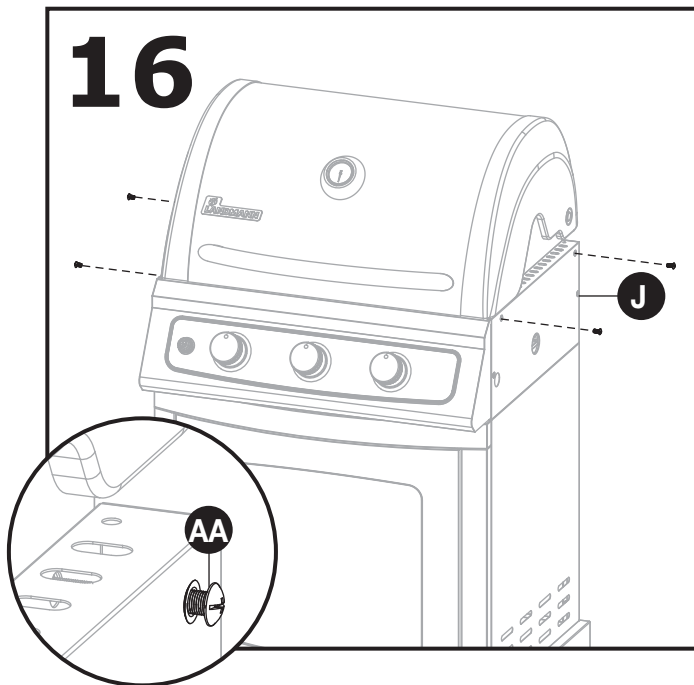


Fije con un perno (DD) el regulador y la unidad de la manguera en la parte interior del panel lateral derecho (F), según se muestra.

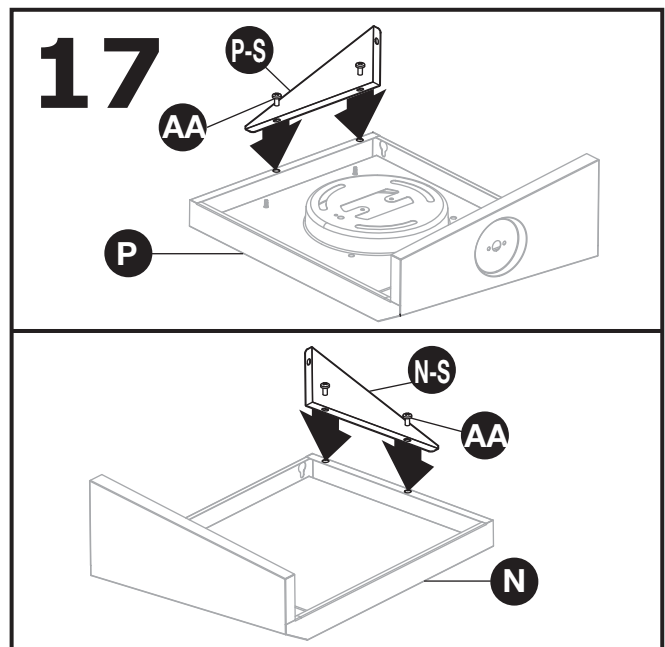


Enrosque el pasador inferior de la puerta (L) en el orificio del panel inferior (A). Alinee el orificio de la esquina inferior derecha de la puerta (K) de forma que encaje en el pasador (L) de la parte inferior de la puerta. Con cuidado oprima hacia abajo el pasador de resorte de la esquina superior derecha de la puerta (K) y muévala para que el pasador de resorte entre en el orificio del bastidor del carro (H).

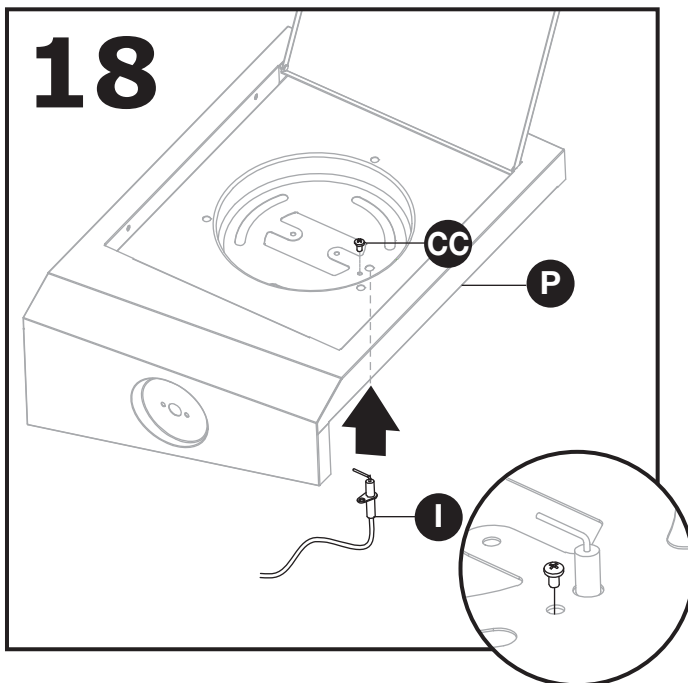
Instrucciones de montaje



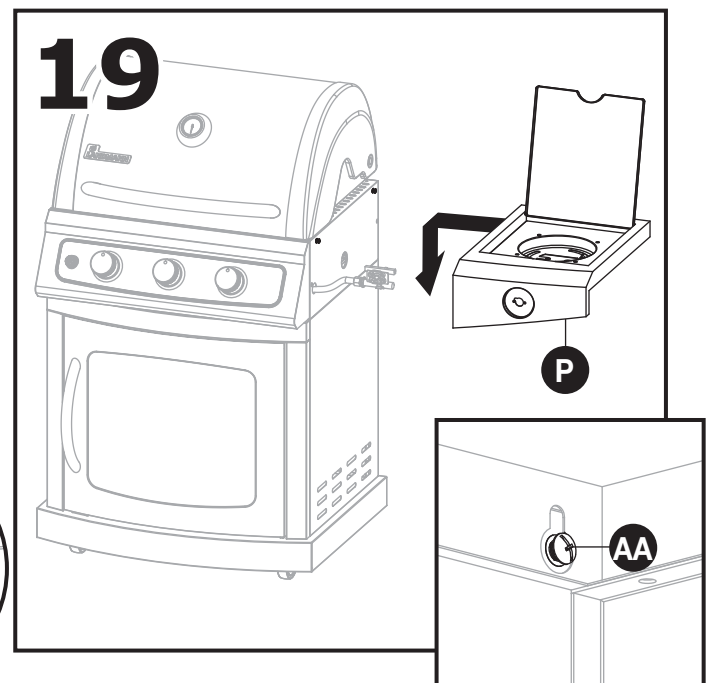
Fije los pernos (AA) hasta la mitad (como se muestra) en el lado izquierdo y en el derecho del cuerpo de la parrilla (J).



Acople el soporte del estante derecho (P-S) a la parte inferior del estante derecho (P) con los pernos (AA). Acople el soporte del estante izquierdo (N-S) a la parte inferior del estante izquierdo (N) con los pernos (AA).



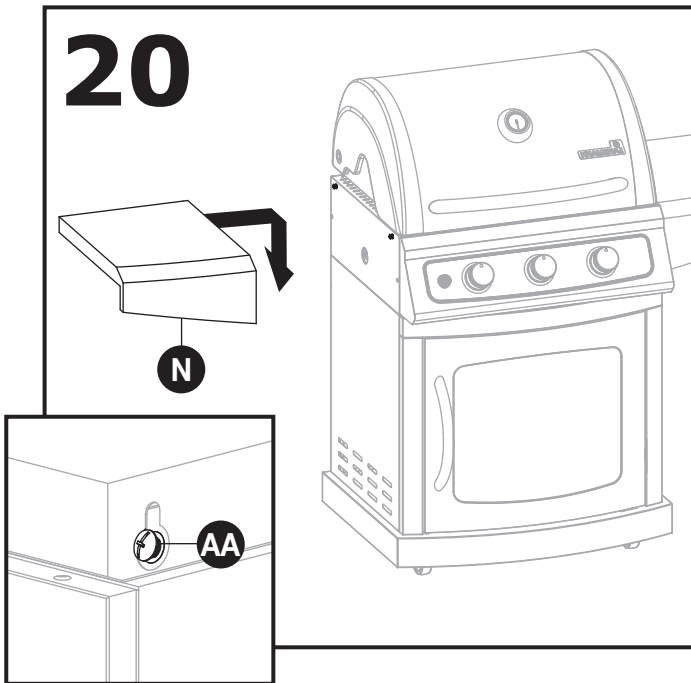
Inserte la línea de encendido (I) en el agujero del fondo del estante derecho (P). Fíjelo con el perno (CC).



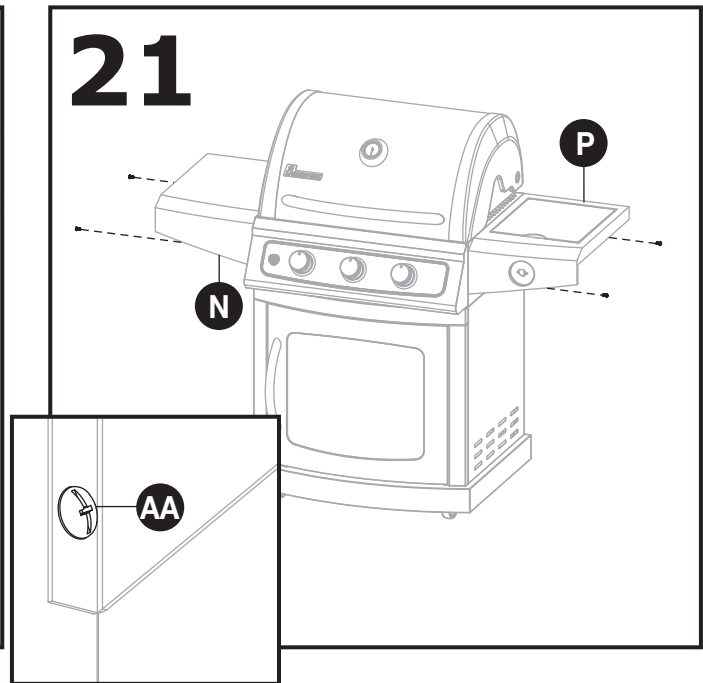
Alinee los orificios del estante derecho (P) con los pernos (AA) que se instalaron en el cuerpo de la parrilla (J) en el Paso 16. Deslice hacia abajo el estante derecho hasta que los pernos queden en la parte angosta del orificio.



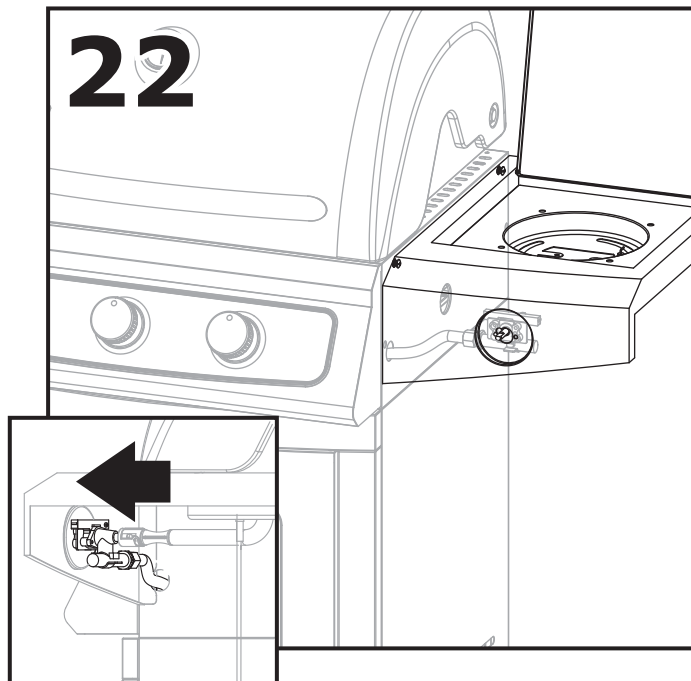
Instrucciones de montaje



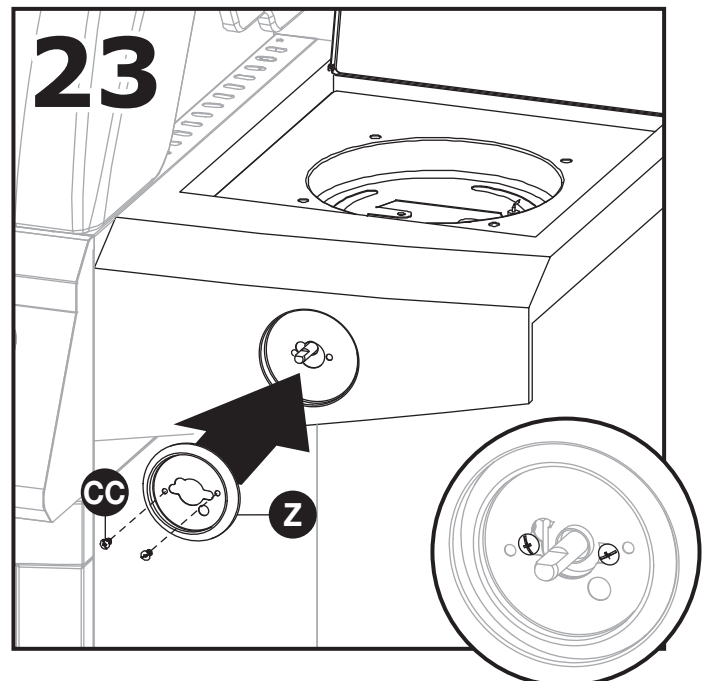
Alinee los orificios del estante izquierdo (N) con los pernos (AA) que se instalaron en el cuerpo de la parrilla (J) en el Paso 16. Deslice hacia abajo el estante izquierdo hasta que los pernos queden en la parte angosta del orificio.



Alinee los orificios inferiores del estante izquierdo (N) y los del derecho (P) con los orificios del cuerpo de la parrilla (J). Inserte los pernos (AA) para fijar. Apriete bien los pernos (AA).



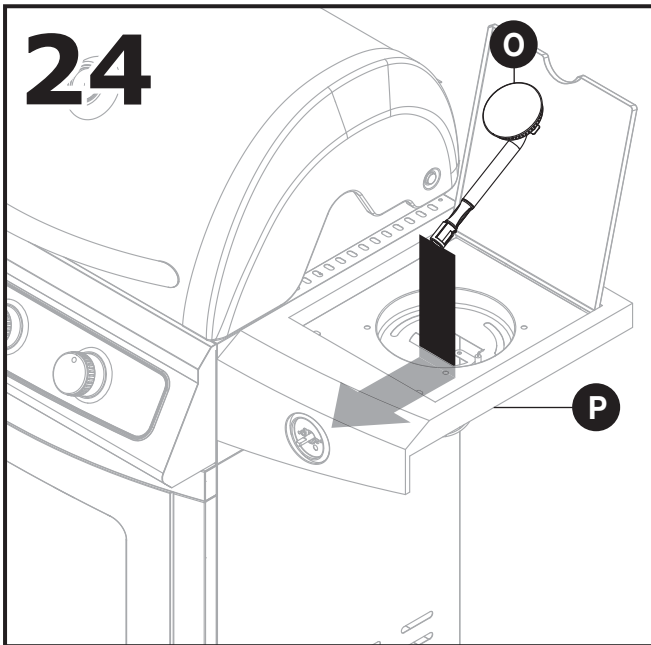
Con cuidado, jale la válvula de gas hacia afuera y encájela en el orificio del lado frontal de la rejilla del estante derecho (P).



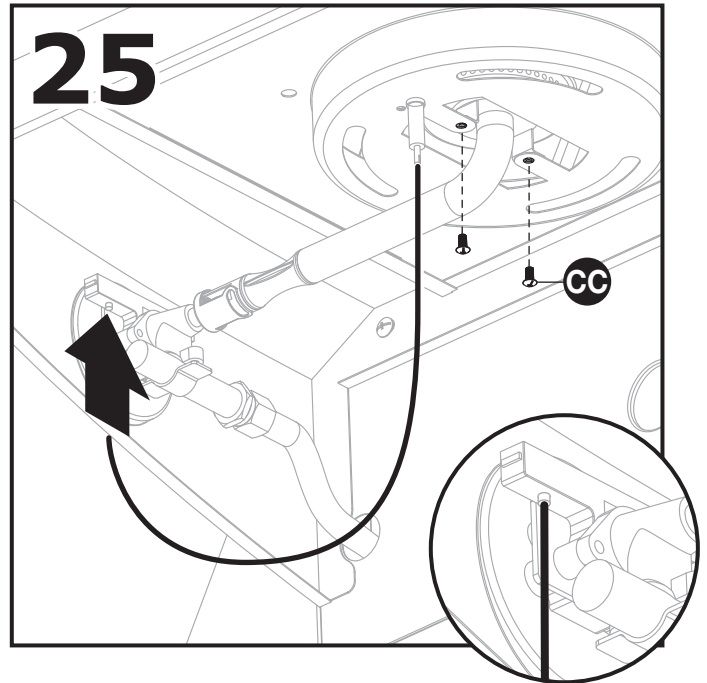
Sujete la válvula de gas al estante derecho (P) colocando la base de la perilla (Z) sobre la válvula y fijándola a la válvula de gas mediante los pernos (CC).



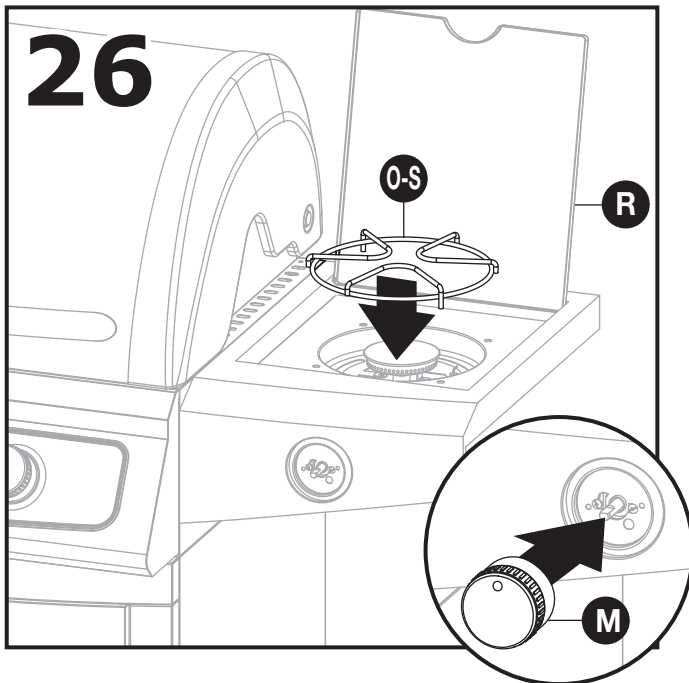
Instrucciones de montaje



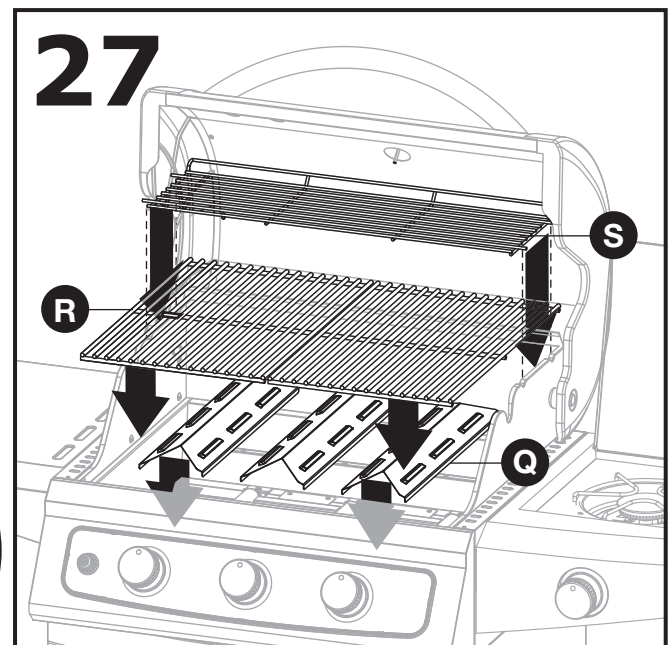
Inserte el quemador lateral (O) a través del orificio superior del estante derecho (P). Guíe el tubo frontal del quemador lateral de tal manera que encaje en la válvula de gas.



Fije el quemador lateral (O) en el estante derecho (P) con pernos (CC). Instale el cable del electrodo en la válvula de gas: conecte el extremo del cable en el enchufe.



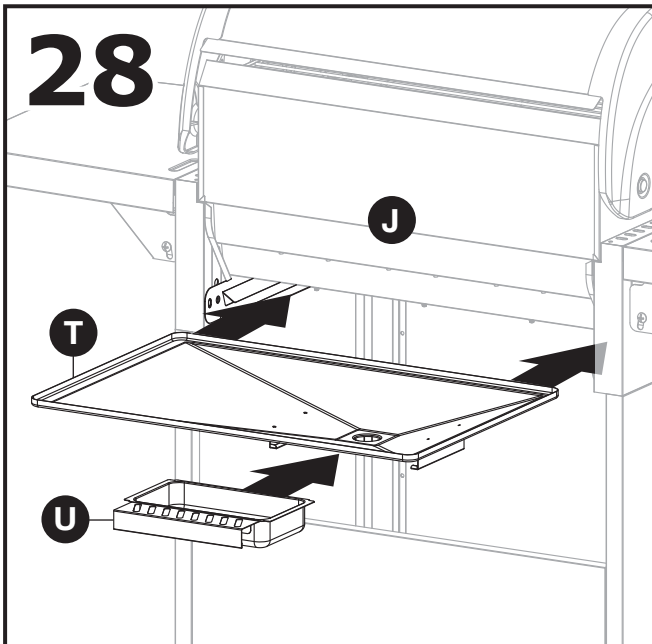
Coloque la rejilla del quemador lateral (O-S) en los agujeros correspondientes en el estante derecho (P). Presione la perilla (M) para encajarla en el vástago de la válvula de gas.



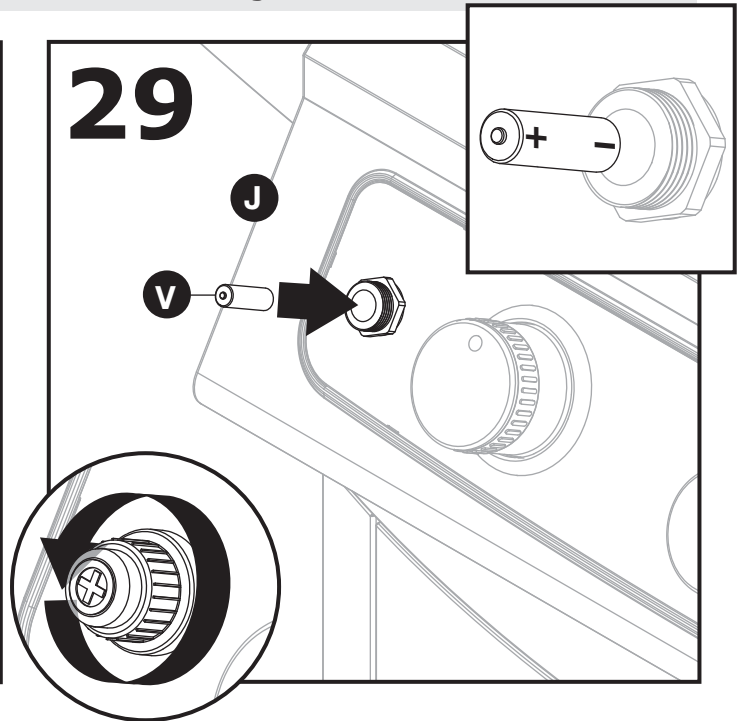
Inserte primero las placas para las llamas (Q); después las rejillas para cocinar (R) y después la rejilla para calentar (S), en ese orden.



Instrucciones de montaje



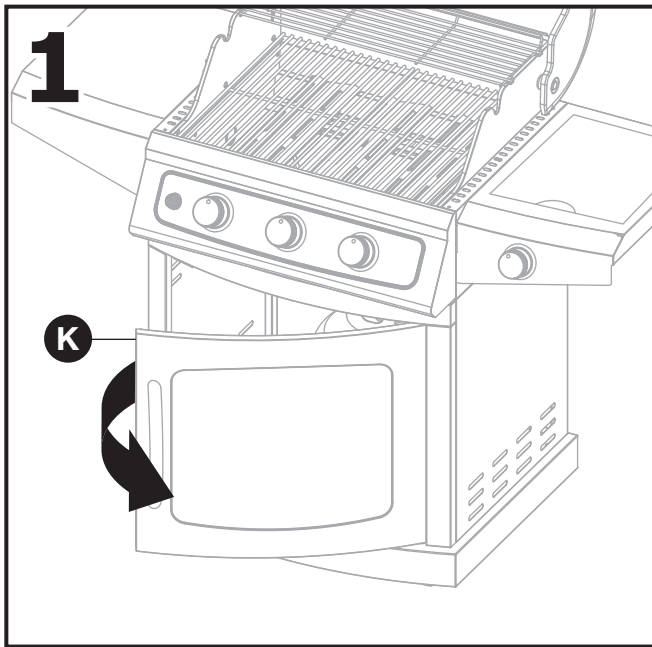
Desde la parte posterior de la parrilla, primero deslice la bandeja para grasa (T) en las ranuras del cuerpo de la parrilla (J) hasta que quede alineada con la parte inferior de la parrilla. A continuación, coloque el recipiente para la grasa (U) en la ranura de la parte inferior de la bandeja para la grasa.



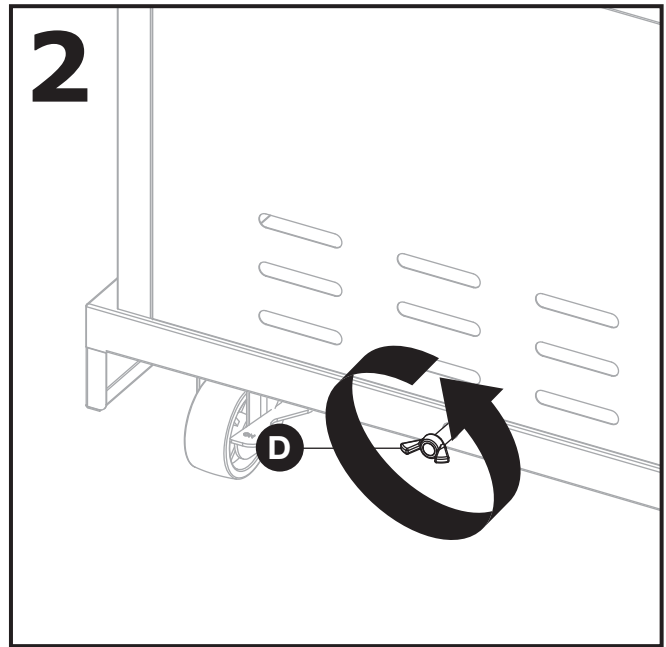
Desenrosque la tapa del botón de encendido del panel de control ubicado en el cuerpo de la parrilla (J). Inserte la pila AA (V) de manera que el extremo positivo esté orientado hacia afuera.



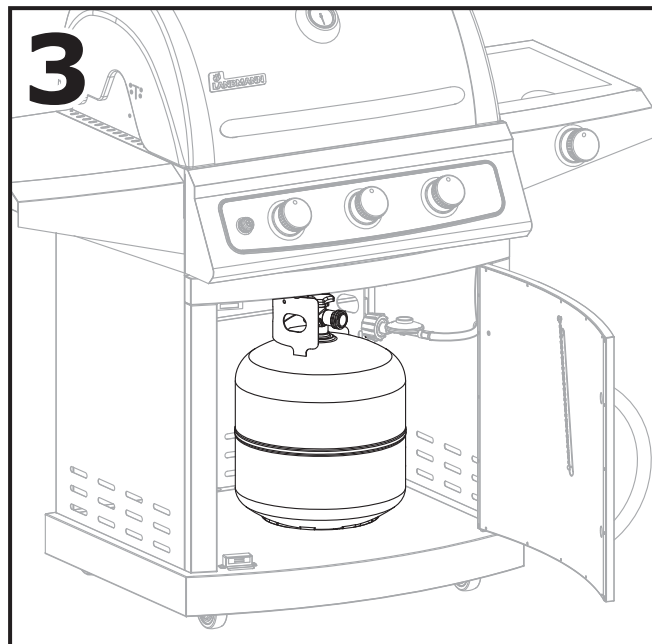
Montaje del tanque



Abra la puerta del armario (K).



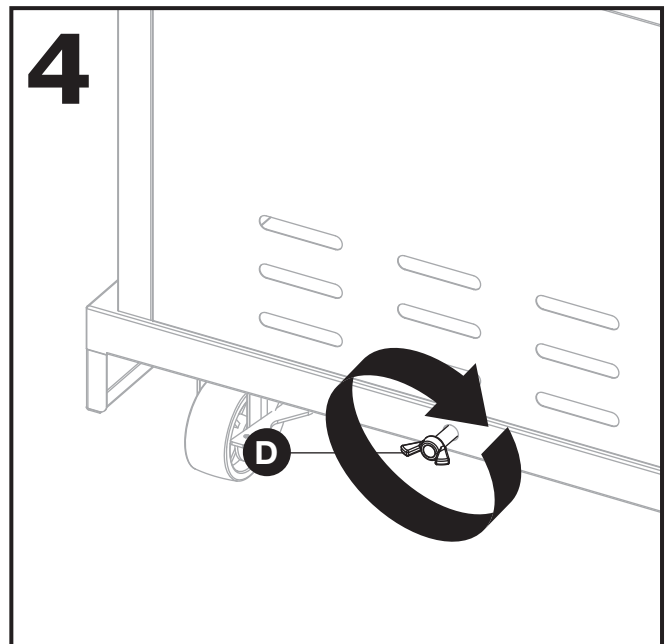
Gire el perno del tanque (D) en sentido contrario a las manecillas del reloj hasta que se afloje.



Coloque el collarín inferior del tanque de combustible de gas PL de 20 libras en el orificio de montaje de la bandeja para el tanque.

NOTA IMPORTANTE:

Las dimensiones del tanque de gas PL de 20 libras deben ser de 315 mm de diámetro x 480 mm de alto.



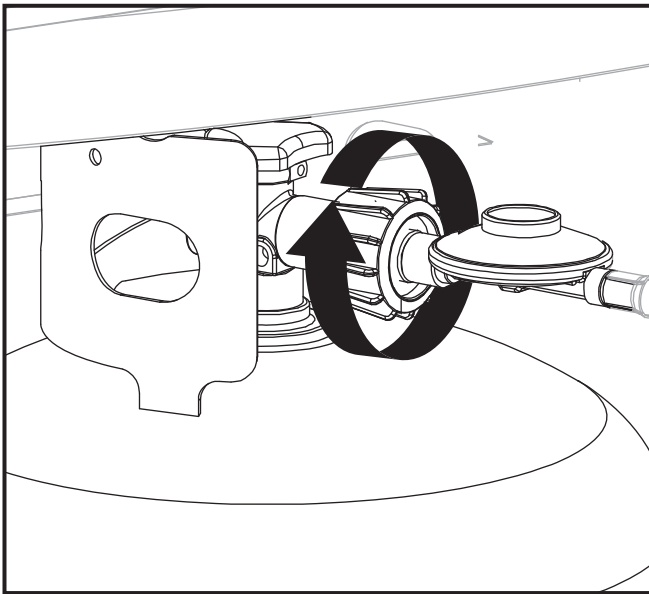
Apriete el perno del tanque (D) girándolo en el sentido de las manecillas del reloj contra el collarín inferior del tanque de gas combustible de PL de 20 libras para que quede bien sujeto.



Conexión del tanque de gas

1. **SIEMPRE** coloque el tanque de gas en el portatanque que se encuentra debajo del carro.
2. Antes de abrir el suministro de gas, asegúrese **SIEMPRE** de que las perillas de control de todos los quemadores estén en posición **APAGADO**.
3. Antes de conectarlo asegúrese de que no haya residuos atrapados en la cabeza del tanque de gas, la válvula del regulador ni en la cabeza y los orificios del quemador.
4. Conecte **SIEMPRE** los reguladores del suministro de gas de la siguiente manera: Inserte el manguito de unión del acoplador de la válvula en la válvula del tanque y apriete el collarín de conexión girándolo en el sentido de las manecillas del reloj con una mano mientras sujeta el regulador con la otra mano.
5. Desconecte el tanque de propano de la válvula del regulador cuando no use la parrilla.
6. **NO** obstruya el flujo del aire de combustión y de ventilación a la parrilla.
7. Mantenga las aberturas de ventilación del compartimento del tanque sin residuos.

Asegúrese de que el dispositivo de conexión de la válvula del cilindro encaje adecuadamente y de manera segura en el dispositivo de conexión unido a la entrada del regulador de presión.



Revisión de la presencia de fugas

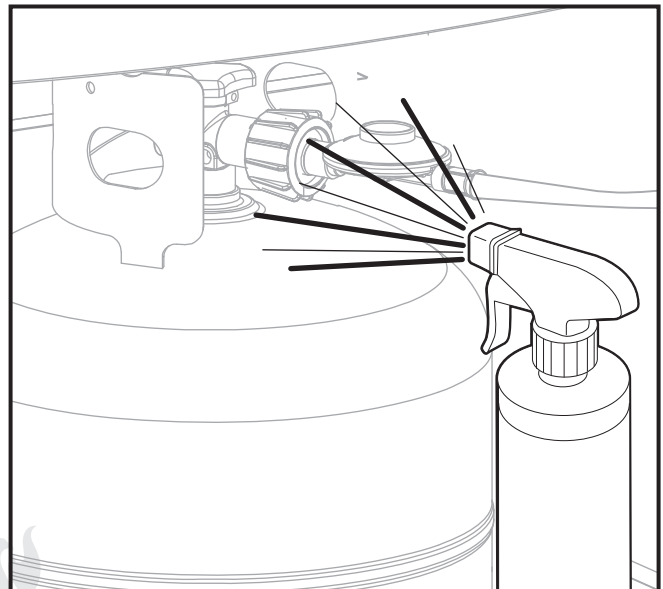
1. Prepare de 2 a 3 onzas de una solución para detectar fugas mezclando una parte de jabón líquido para vajillas y tres partes de agua.
2. Asegúrese de que las perillas de control estén en la posición **● APAGADO**.
3. Rocíe la solución en la válvula del tanque hasta la conexión de la misma. (Vea el diagrama a continuación).



Para evitar el riesgo de incendio o explosión, cuando compruebe si hay alguna fuga:

1. Realice **SIEMPRE** la “prueba de fugas” antes de encender la parrilla y cada vez que conecte el tanque para usarlo.
2. **NO** fume ni permita que haya otras fuentes de ignición en el área mientras realiza la prueba de fugas.
3. Haga la prueba de fugas en exteriores, en un área bien ventilada.
4. **NO** use fósforos, encendedores ni llamas para comprobar si existen fugas.
5. **NO** use la parrilla sino hasta que detenga todas las fugas. Si no puede detener una fuga, desconecte el suministro de propano y llame para solicitar servicio para la parrilla o llame a su proveedor de gas propano.

4. Observe si la solución forma burbujas en las conexiones. Si no aparecen burbujas, la conexión es segura.
5. Si aparecen burbujas es que hay una fuga. Continúe con el paso 6.
6. Desconecte el regulador del tanque y vuelva a conectarlo. Asegúrese de que la conexión esté apretada y firme.
7. Vuelva a hacer la prueba con la solución.
8. Si aparecen burbujas “crecientes”, no use ni mueva el tanque de PL. Comuníquese con un distribuidor de gas PL o el Departamento de Bomberos.



Instrucciones para el encendido

Antes de usar por primera vez, es importante limpiar la parrilla con calor. Esto limpiará las partes internas al quemar todos los residuos y olores del proceso de fabricación. Para realizar la limpieza, ponga a funcionar la parrilla aproximadamente 30 minutos al calor máximo, con la cubierta cerrada.

IMPORTANTE

Por favor, lea estas instrucciones antes de intentar encender la parrilla.



ADVERTENCIA

No abrir la cubierta antes de encender la parrilla puede provocar una llamarada explosiva que puede causar lesiones graves o la muerte.



ADVERTENCIA

NO se incline sobre la parrilla abierta al encenderla.

1. Coloque todas las perillas de control de gas en posición ● **APAGADO**.
2. Abra la válvula del suministro de gas.
3. La cubierta **DEBE** estar abierta durante el encendido.
4. Para encender un quemador, presione y gire cualquier perilla de control a la posición 🔥 **ALTO**.
5. Presione y mantenga presionado el botón de ignición ⚡ electrónica para encender el quemador seleccionado.
6. Si el quemador **NO** se enciende en cinco segundos, gire la perilla de control a la posición ● **APAGADO**; espere por lo menos cinco minutos para que el gas desaparezca y repita el procedimiento de encendido.



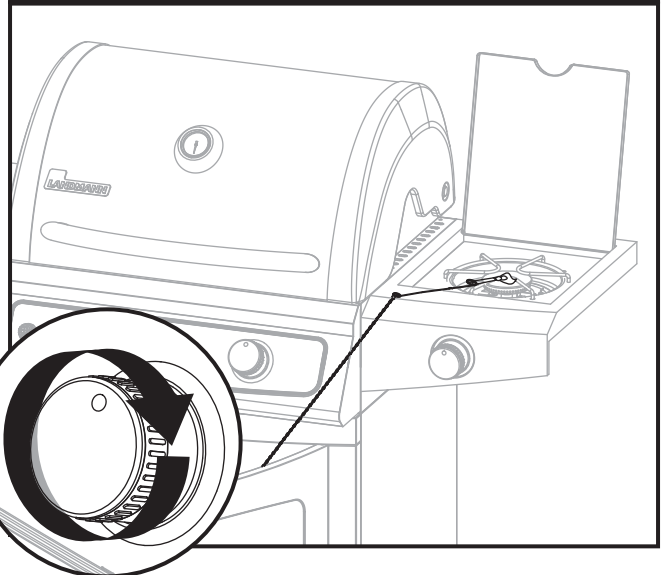
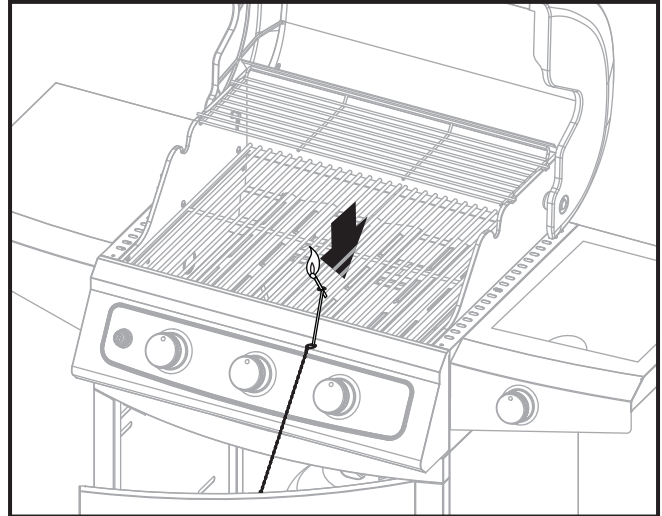
ADVERTENCIA

No esperar cinco minutos puede ocasionar una llamarada explosiva que puede provocar lesiones graves o la muerte.

7. Para apagar un quemador, presione la(s) perilla(s) de control y gírelas en el sentido de las manecillas del reloj a la posición ● **APAGADO**.

Encendido del quemador lateral

1. Cierre ● **APAGADO** las válvulas de control de gas de los quemadores.
2. Abra el suministro de gas o el tanque.
3. Abra la tapa durante el encendido.
4. Oprima y mantenga oprimida la perilla de control y gírela **LENTAMENTE** (de 2 a 3 segundos) hasta ⚡ **ENCENDER**. Se debe oír que el encendedor hace clic.
5. Si el encendido no ocurre en 5 segundos, apague (● **APAGADO**) el quemador, espere 5 minutos y repita el procedimiento para encender.



Encendido con fósforos.

Nota: El implemento para encender con fósforos (W) se ubica en la parte interna de la puerta (K).

1. Coloque todas las perillas de control de gas en posición ● **APAGADO**.
2. Abra la válvula del suministro de gas.
3. La cubierta **DEBE** estar abierta durante el encendido.
4. Retire el implemento para encender con fósforos e introduzca uno en el extremo del dispositivo.
5. Encienda el fósforo.
6. Una vez que esté encendido, diríjalo hacia debajo de la parrilla.
7. Oprima y gire la perilla de control hacia 🔥 **ALTO** del quemador que esté más cerca del fósforo encendido. El quemador se debe encender inmediatamente.
8. Ajuste la perilla de control del quemador a la temperatura de cocción deseada.



Cuidado y mantenimiento

Por favor, siga las indicaciones siguientes para mantener su parrilla limpia y que luzca como nueva. Antes de limpiar, asegúrese de que todos los quemadores estén en la posición ● **APAGADO** y que la parrilla esté fría al tocarla.

Limpieza del exterior de la parrilla

Para las superficies de acero inoxidable, limpie el exterior de la superficie con un paño suave y una solución de agua con jabón; enjuague con agua.

- Al limpiar, siempre frote o limpie en dirección del grano del acero inoxidable.
- Para las manchas difíciles, limpie siempre en dirección del grano del acero inoxidable.
- **NO** limpie el acero inoxidable con nada que contenga algún ácido, disolvente o xileno.
- **NO** use cepillo de alambre ni ningún limpiador abrasivo en la superficie de acero inoxidable, ya que esto rayaría el acabado de acero inoxidable.

Limpieza del interior de la parrilla

Por seguridad y eficiencia, es importante retirar cualquier desecho o exceso de grasa que pueda acumularse dentro de la parrilla.

- Limpie el revestimiento interior de la cubierta con una toalla de papel para evitar que se acumule la grasa.
- Lave el interior de la cubierta con agua jabonosa tibia y enjuague con agua.
- Lave el interior de la cámara de cocción con agua jabonosa tibia y enjuague con agua.
- El método de quemado es una manera de limpiar las rejillas de acero inoxidable. Después de cocinar, encienda los quemadores en la posición HIGH (Alto) y deje funcionando aproximadamente 15 minutos con la cubierta cerrada. A continuación, apague los quemadores; abra con cuidado la cubierta y utilice un cepillo de alambre para limpiar los residuos de alimentos de la rejilla.
- Para limpiar las placas de acero inoxidable para las llamas, retire los residuos con el cepillo de alambre y lave con agua jabonosa ligera. Enjuague con agua.
- Retire el recipiente para la grasa de la bandeja y limpie la parte interior con una toalla de papel para quitar el exceso de grasa. Después lave el interior con agua jabonosa tibia y enjuague con agua. Para limpiar de forma más fácil, forre el interior del recipiente con papel aluminio.
- Retire la bandeja para grasa de la parrilla y limpie la superficie de la parte superior con una toalla de papel para quitar el exceso de grasa. Después lávela con agua jabonosa tibia y enjuague con agua.



NO forre con papel aluminio el interior de la bandeja para la grasa.

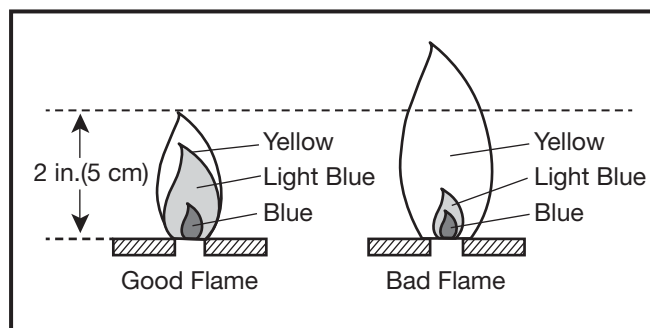
Revisión de la manguera

La manguera se debe revisar periódicamente para identificar cualquier indicio de grietas, rayones, cortes o abrasiones.

- Si se la manguera está dañada de alguna forma, **NO** use la parrilla.
- Debe sustituirla con una manguera certificada según se indica en la sección de piezas de repuesto.

Revisión de la llama

La llama que sale de los quemadores debe ser de una combinación de azul y amarillo, y tener una altura de una a dos pulgadas (ver a continuación).



Para retirar un quemador

Asegúrese de que todas las perillas de control estén en posición ● **APAGADO**, que la válvula de suministro de gas PL esté cerrada y que la manguera del gas esté desconectada del suministro de gas.

1. Abra la cubierta y retire la parrilla para calentar, las parrillas para cocinar y las placas para las llamas.
2. Con un destornillador Phillips de 2 pt, afloje el perno que sostiene el quemador, en la parte posterior de la parrilla.
Nota: Esta es una unidad de perno/tuerca, por lo tanto, asegúrese de sostener la tuerca mientras retira el perno.
3. Deslice el quemador hacia adelante y fuera de la cámara de combustión.
4. Desconecte el cable de ignición del encendedor.

Para limpiar el quemador

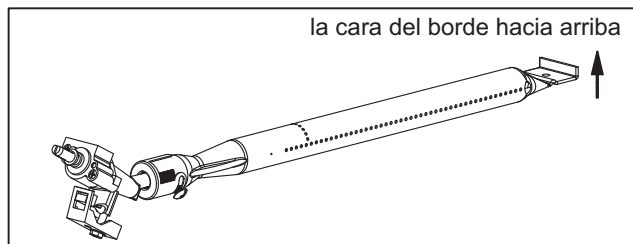
- Asegúrese de que ninguno de los puertos de los quemadores tenga una obstrucción.
Consejo: Para desatascar, utilice un alfiler o un clip.
- Asegúrese de que el quemador no esté dañado. Si observa algún daño, sustituya el quemador.
- Asegúrese de que el extremo del quemador y que la pantalla primaria de aire no tengan nidos de insectos, suciedad ni residuos.



Cuidado y mantenimiento

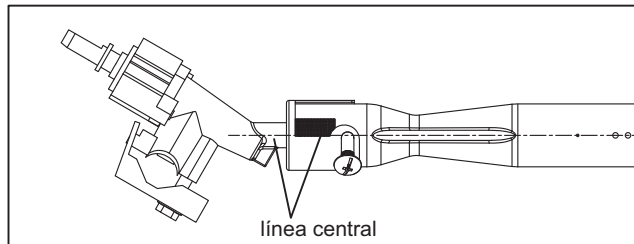
Para reinstalar el quemador

1. Asegúrese de que los orificios de la válvula de gas estén colocados correctamente dentro de la entrada del quemador.
2. Vuelva a colocar la unidad perno/tuerca.
3. Coloque las placas para las llamas, las rejillas para cocinar y las rejillas para calentar.



Cambio de la pila AA

Al cambiar la pila AA, asegúrese de que usa sólo pilas estándar AA y que la polaridad sea la correcta al colocar la pila. Retire la tapa del botón de encendido e inserte la pila AA de tal manera que el terminal positivo (+) esté orientado hacia afuera de la caja para la pila.



Métodos de cocción y consejos para asar a la parrilla

Calor directo

Calor directo significa que los alimentos se colocan sobre la parrilla directamente sobre los quemadores encendidos.

- La posición de la cubierta puede ser o abierta o cerrada.
- Por lo general, si la cubierta está abierta, el tiempo de cocción puede ser mayor.
- El calor directo se usa para dorar los alimentos y sellar los jugos naturales al cocinarlos con calor intenso durante un breve periodo de tiempo. El exterior del alimento queda dorado con un recubrimiento asado lleno de sabor.

Calor indirecto

Cocinar con calor indirecto significa que los alimentos se colocan sobre la parrilla sobre un quemador sin calentar, lo que permite que el calor de los quemadores que estén encendidos a su alrededor los cocinen.

- Para obtener los mejores resultados, encienda dos quemadores y cocine con la cubierta cerrada. Esto reducirá el tiempo de cocción.
- **NO** opte por cocinar con calor indirecto cuando haga viento.

Antes de asar


- Asegúrese de que los alimentos estén completamente descongelados antes de ponerlos a asar.
- Con la cubierta cerrada, caliente la parrilla con alto calor (con todos los quemadores encendidos) durante 10 – 15 minutos hasta que la temperatura alcance más de 500 °F (260 °C). Este tiempo se verá afectado por las condiciones ambientales como pueden ser el viento y la temperatura del aire.
- No levante la cubierta durante el proceso de calentamiento.
- El proceso de precalentamiento con calor alto es necesario para dorar y sellar los jugos en los alimentos.
- Para la carne y las aves con alto contenido de grasa, retire el exceso de grasa y reduzca el tiempo de precalentamiento. Ambas cosas reducirán las llamaradas de la grasa que gotee.
- Engrase ligeramente las rejillas para cocinar

cuando se trate de carne de bajo contenido en grasa, pescado o aves. Tenga en cuenta que usar demasiado aceite puede producir ceniza gris que caiga sobre los alimentos.

Durante el asado

- El indicador de temperatura que está en la cubierta indica la temperatura de cocción dentro de la parrilla.
- De ser posible, voltee los alimentos sólo una vez. Los jugos se pierden cuando la carne se voltea varias veces.
- Voltee la carne justo cuando los jugos empiecen a aparecer en la su superficie.
- Evite pinchar o cortar la carne para ver si tiene el punto deseado. Eso hace que los jugos se salgan.
- Agregue la salsa barbacoa sólo durante los últimos 10 minutos de cocción para evitar que se queme.
- El punto deseado de la carne se controlará según el tipo de carne, su tamaño, su forma y su grosor, el calor o el método de cocción, así como el tiempo que esté en la parrilla.
- El tiempo de cocción será mayor si la cubierta está abierta.
- Deje más tiempo de cocción cuando haga frío o viento o en altitudes mayores. Por el contrario, deje menos tiempo de cocción en condiciones extremas de calor.
- Las condiciones para asar pueden requerir ajustar los quemadores para así obtener y mantener las temperaturas correctas de cocción.
- Amontonar los alimentos en la rejilla para cocinar hará que estos necesiten más tiempo para cocinarse.
- Use tenazas para voltear y manejar la carne, en lugar de un tenedor, a fin de evitar que se pierdan los jugos de la carne.
- Si se produce una llamarada, apague todos los quemadores (posición ● **APADAGO**) y mueva los alimentos a otra área de la rejilla para cocinar. Una vez que las llamas disminuyan, vuelva a encender los quemadores siguiendo las instrucciones correspondientes en este manual.
- **NUNCA** use agua para extinguir las llamas de una parrilla de gas.

Resolución de problemas

Problema	Causa	Solución
La parrilla no se enciende.	<ol style="list-style-type: none"> 1. La válvula del tanque de PL está cerrada. 2. El nivel de gas del tanque de PL está bajo. 3. La pila del encendedor no está instalada adecuadamente o es necesario cambiar la pila. 4. Puede ser que sea necesario encender con un fósforo. 5. Las conexiones al encendedor o los electrodos están flojos. 6. Es posible que los electrodos estén mojados. 7. Hay residuos que obstruyen los electrodos. 8. No se ve una chispa en la punta del encendedor. 	<ol style="list-style-type: none"> 1. ABRA la válvula del tanque de PL. 2. Sustituya el tanque de PL. 3. Instale correctamente o sustituya la pila del encendedor. 4. Encienda la parrilla con fósforo según las instrucciones de este manual. 5. Reconecte o sustituya el cableado del encendedor o los electrodos. 6. Seque los electrodos con un paño seco. 7. Limpie los electrodos con alcohol y vuelva a intentarlo. 8. Reemplace el encendedor.
La llama no permanece encendida.	<ol style="list-style-type: none"> 1. La válvula del tanque de PL está cerrada. 2. El nivel de gas del tanque de PL está bajo. 3. El quemador no está instalado correctamente o está sucio. 	<ol style="list-style-type: none"> 1. ABRA la válvula del tanque de PL. 2. Sustituya el tanque de PL. 3. Vuelva a instalar correctamente el quemador y limpie cualquier residuo.
La llama es débil, es irregular o hace ruido.	<ol style="list-style-type: none"> 1. El nivel de gas del tanque de PL está bajo. 2. Es posible que los puertos de los quemadores estén atascados. 3. El suministro de gas puede estar doblado o plegado. 4. Es posible que el quemador reciba demasiado aire. 5. La parrilla quizás está en un área con demasiado viento. 6. Hay obstrucciones, como grasa, residuos o insectos en las entradas de aire. 7. El obturador de aire necesita ajustarse. 	<ol style="list-style-type: none"> 1. Sustituya el tanque de PL. 2. Si sólo está afectado un quemador, revise y limpie los puertos de los quemadores. 3. Enderece la manguera de suministro de gas. 4. Si la llama del quemador tiene un aspecto mayormente amarillento o anaranjado, ajuste el obturador de aire. 5. Espere a que se calme el viento para continuar. 6. Limpie las obstrucciones de las entradas de aire del quemador. 7. Ajuste el obturador de aire.
Llamaradas en exceso. <div style="border: 1px solid black; padding: 5px; margin-top: 10px;">  <p style="text-align: center;">PRECAUCIÓN</p> <p style="text-align: center;">NO rocíe agua sobre las llamas del gas, ya que esto podría dañar la parrilla.</p> </div>	<ol style="list-style-type: none"> 1. Las llamaradas normalmente son causadas por un exceso de grasa de la carne que se esté asando. 2. La parrilla está sucia. 3. La temperatura de cocción quizás está demasiado alta. 4. La cubierta está cerrada. 5. Los alimentos quedan sobrecocidos o quemados. 6. La bandeja y el recipiente para la grasa están llenos de grasa. 	<ol style="list-style-type: none"> 1. Quite grasa de la carne que vaya a asar. 2. Asegúrese de que la parrilla esté limpia. 3. Mantenga baja la llama o apague un quemador. 4. Mantenga la cubierta abierta cuando esté asando para así evitar demasiadas llamaradas. 5. Ponga los alimentos en la rejilla para calentar hasta que las llamas se hayan reducido. 6. Limpie la bandeja y el recipiente para la grasa.

Piezas de repuesto

¿Preguntas, problemas, piezas faltantes? Antes de devolver a su vendedor minorista, llame a nuestro departamento de atención al cliente al 1-800-321-3473, entre 8:00 a.m. y 5:00 p.m., EST, de lunes a viernes.

Pieza	Descripción	Núm. de pieza	Pieza	Descripción	Núm. de pieza
A	Panel inferior	FA0051	R	Rejilla para cocinar	FA0094
B	Rueda sin freno	FA0053	S	Rejilla para calentar	FA0100
C	Rueda con freno	FA0054	T	Bandeja para la grasa	FA0018
D	Perno de la bandeja del tanque	FA0004	U	Recipiente para la grasa	FA0104
E	Panel lateral izquierdo del carro	FA0058	V	Pila	FA0025
F	Panel lateral derecho del carro para SB	FA0057	W	Imán de la puerta inferior	FA0020
G	Panel posterior del carro	FA0060	X	Implemento para encendido con fósforos (no se muestra)	FA0027
H	Bastidor del carro	FA0063	Z	Base de la perilla de control	FA0035
I	Línea de encendido	FA0140		Perilla de control	FA0030
J	Cuerpo de la parrilla	FA0075		Indicador de temperatura	FA0022
K	Puerta	FA0078		Botón de encendido electrónico	FA0023
L	Pasador inferior de la puerta	FA0011		Tapa	FA0039
M	Perilla de control	FA0021		Asa de la cubierta	FA0117
N	Estante izquierdo	FA0086		Soportes de la cubierta y pasador	FA0119
N-S	Soporte del estante izquierdo	FA0138		Asa de la puerta	FA0118
O	Quemador lateral	FA0088		Regulador/Manguera/Acoplador del PL	FA0029
O-S	Side burner grate	FA0089		Quemadores con tubo SS	FA0107
P	Estante derecho	FA0087		Encendedores	FA0031
P-S	Right shelf support	FA0086			
Q	Placa para las llamas	FA0091			



Indicaciones para asar a la parrilla

Tipo	Descripción	Método de cocción	Configuración del quemador	Espesor	Tiempo total	Instrucciones
CARNE DE RES						
Bistecs	NY Strip, Rib eye, Porterhouse, T-Bone, solomillo, filetes	Directo	Alto	1 pulg. / 2,5 cm	10 – 15 min.	Voltee la carne sólo una vez a la mitad del tiempo para asar
	NY Strip, Rib eye, Porterhouse, T-Bone, solomillo, filetes	Directo	Alto	2 pulg. / 5 cm	18 – 22 min.	Voltee la carne sólo una vez a la mitad del tiempo para asar
	Falda (por libra / kg)	Directo	Medio	0,75 pulg. / 1,9 cm	11 – 20 min.	El tiempo depende del peso de la carne
Hamburguesas	Hamburguesa de carne molida de res	Directo	Medio	0,75 pulg. / 1,9 cm	10 – 15 min.	Voltee la carne sólo una vez a la mitad del tiempo para asar
Carne asada	Rib eye, solomillo	Indirecto	Medio		30 – 40 min.	El tiempo se determina según el peso de la carne (p. ej. 30 – 40 minutos por libra / kg)
CERDO						
Chuletas		Directo	Alto	0,75 pulg. / 1,9 cm	10 – 15 min.	
		Directo	Alto	1,5 pulg. / 3,8 cm	25 – 35 min.	
Costillas	Costillar de 2 – 5 libras / 0,9 – 2,2 kg	Indirecto	Medio		50 – 70 min.	Dé vuelta de vez en cuando. Vierta la salsa en los últimos 10 minutos.
Carne asada	Solomillo (por libra / kg)	Directo	Medio		15 – 20 min.	Dé vuelta para que se doren todos los lados.
POLLO						
Pechuga	Sin hueso ni piel	Directo	Medio	6 – 8 oz / 170,1 – 226,8 g	10 – 15 min.	
Muslos	Sin hueso ni piel	Directo	Medio	4 – 6 oz / 113,4 – 170,1 g	8 – 13 min	
Entero		Indirecto	Medio	4 – 6 lbs / 1,81 – 2,71 kg	60 – 80 min.	
PAVO						
Entero	Sin rellenar	Indirecto	Medio	10 – 12 lbs / 4,5 – 5,4 kg	2 – 2,5 horas	
Pechuga	Con hueso	Indirecto	Alto		14 – 18 min.	



Indicaciones para asar a la parrilla

Tipo	Descripción	Método de cocción	Configuración del quemador	Espesor	Tiempo total	Instrucciones
PESCADO						
Filetes o bistec	Pez espada, atún, salmón, fletán, etc.	Directo	Medio		4 – 6 min.	Por cada 0,5 pulg. / 1,3 cm de grosor Ase sobre la parrilla y voltee una vez.
Entero	Pez gato, trucha, etc. (12 oz / 340 g)	Indirecto	Medio		10 – 12 min.	Por lado
Gambas	18 – 20 oz / 510 – 566 g	Directo	Alto		3 – 6 min.	
VERDURAS						
Mazorca de maíz	Con la cáscara	Directo	Medio		20 – 30 min.	
	Sin cáscara	Directo	Medio		12 – 15 min.	
Papas	Para hornear, enteras	Directo	Alto		45 – 90 min.	Envueltas individualmente en papel aluminio. Girar ocasionalmente
	Camote (batata), entero	Directo	Medio		40 – 70 min.	Envueltas individualmente en papel aluminio. Girar ocasionalmente
Pimientos	Asados	Directo	Alto		15 – 20 min.	
Cebolla	En rebanadas	Directo	Medio		8 – 12 min.	Ase sobre la parrilla y voltee una vez.
Calabaza	Calabaza amarilla, calabacín	Directo	Medio		7 – 10 min.	
Espárragos	0,5 pulg. / 1,2 cm de diámetro	Directo	Medio		6 – 8 min.	

Made in China / Fabriqué en Chine / Hecho en China



Garantía

Esta parrilla de gas de propano líquido tiene una garantía de un (1) año a partir de la fecha de la compra original al por menor frente a defectos en los materiales y en la fabricación, siempre y cuando se ensamble de manera correcta, se use en un entorno doméstico normal y se cuide según se indica en estas instrucciones.

La única excepción a esto son los quemadores tubulares de acero inoxidable, los cuales tienen una garantía de tres (3) años a partir de la fecha de la compra original al por menor. Se excluyen de esta garantía la corrosión, los rayones y la decoloración de esta parrilla provocados por un uso y cuidado inadecuados.

Esta garantía no cubre daños o problemas en relación con negligencia, abuso, accidente, mal uso, mala aplicación, montaje inadecuado, daños causados en su traslado, uso comercial ni CUALQUIER modificación que se haga al producto. No cubre la mano de obra de reparación. Esta es la única garantía que se ofrece y se da en lugar de cualquier otra garantía, ya sea expresa o implícita, que incluya la garantía tácita, la comercialización o el uso para un propósito en particular.

Todas las piezas de repuesto que cumplan con los requisitos de la garantía serán enviadas sin costo alguno por el medio que el fabricante elija (envío terrestre, por correo de EE. UU., UPS o FedEx). Cualquier cargo especial por manejo (p. ej. envío de dos días, al día siguiente, etc.) será responsabilidad del consumidor.

Toda reclamación de garantía corresponde sólo al comprador original y requiere de comprobante de compra que especifique la fecha de la adquisición. No devuelva piezas sin haber obtenido primero el número de autorización de devolución de nuestro departamento de atención al cliente.

Puede comunicarse con nuestro departamento de atención al cliente llamando al 1-800-321-3473 entre las 8:00 a.m. y las 5:00 p.m. (EST), sólo en inglés, o enviando un correo electrónico a CustomerService@landmann-usa.com

Por favor, tenga en cuenta que en Estados Unidos algunos estados no permiten la exclusión o limitación de accidentes o de daños indirectos o limitaciones en la duración de una garantía implícita, por lo que puede ser las anteriores limitaciones o exclusiones no sean aplicables en su caso. Esta garantía le brinda derechos legales específicos y también es posible que tenga otros que puedan variar de un estado a otro.



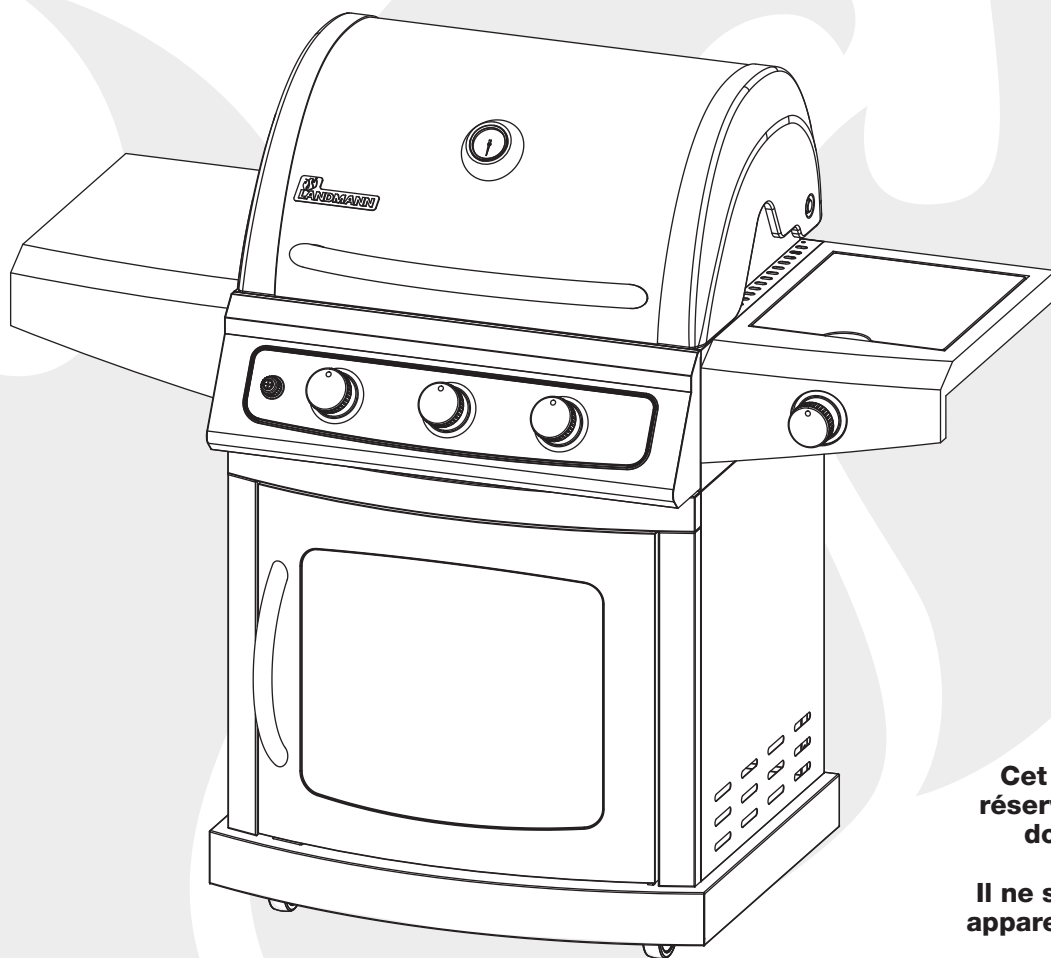
7405 Graham Road
Fairburn, Georgia 30213

www.landmann-usa.com





LANDMANN



**Cet appareil est
réservé à un usage
domestique.**

**Il ne s'agit pas d'un
appareil commercial.**

**ASSEMBLAGE, ENTRETIEN ET MODE D'EMPLOI
LISEZ ATTENTIVEMENT**



**IMPORTANT :
CONSERVEZ CES INSTRUCTIONS POUR POUVOIR VOUS Y RÉFÉRER PAR LA SUITE.**

Barbecue au PL à 3 brûleurs

MODEL 42135 / 42211

Des questions, des problèmes ou des pièces manquantes? Avant de retourner chez votre revendeur, appelez notreservice à la clientèle au : 1-800-321-3473 8 h – 17 h (heure de la côte Est) anglais seulement, ou envoyez un courriel à CustomerService@landmann-usa.com

Table des matières

Consignes de sécurité importantes.....	52	Montage de la bouteille.....	66
Consignes de sécurité relatives au propane liquide (PL).....	55	Raccordement de la bouteille de gaz.....	67
Contenu du paquet	56	Instructions d'allumage	68
Préparation.....	57	Entretien et maintenance.....	69
Matériel.....	57	Dépannage	71
Outils requis	57	Pièces détachées	72
Instructions d'assemblage	57	Consignes pour faire griller	73
		Garantie	75

Installateur

Ce manuel d'instructions contient les informations importantes nécessaires pour l'assemblage correct et l'utilisation sans danger de cet appareil. Lire et suivre tous les avertissements et les instructions avant d'assembler et d'utiliser cet appareil.

Laisser ces instructions au consommateur.

Consommateur/utilisateur

Suivre tous les avertissements et les instructions en utilisant cet appareil.

Conserver ces instructions pour référence ultérieure.

DANGER

Si une odeur de gaz est perceptible :

- 1. Couper l'arrivée de gaz.**
- 2. Éteindre la flamme nue.**
- 3. Ouvrir le couvercle.**
- 4. En cas d'odeur persistante, se tenir à l'écart de l'appareil et appeler immédiatement le fournisseur de gaz ou les pompiers.**
- 5. Suivre ces instructions sous peine d'explosion ou de brûlures pouvant causer des dégâts matériels, des blessures, voire la mort.**

AVERTISSEMENT

- 1. NE PAS** ranger ni utiliser d'essence ou d'autres vapeurs et liquides inflammables à proximité de cet appareil ou d'un autre appareil.
- Aucune bouteille de PL (propane liquide) non raccordée pour utilisation ne doit être stockée à proximité de cet appareil ou d'un autre appareil.
- Ce gril est uniquement destiné à une **UTILISATION EXTÉRIEURE** et ne doit pas être utilisé dans un bâtiment, un garage, sous un avant-toit ou dans toute autre zone fermée.
- NE PAS** laisser un gril allumé sans surveillance. Tenir les enfants et les animaux domestiques à l'écart du gril à tout moment.
- Cet appareil est réservé à un usage domestique. Il ne s'agit pas d'un appareil commercial.**

Consignes de sécurité importantes

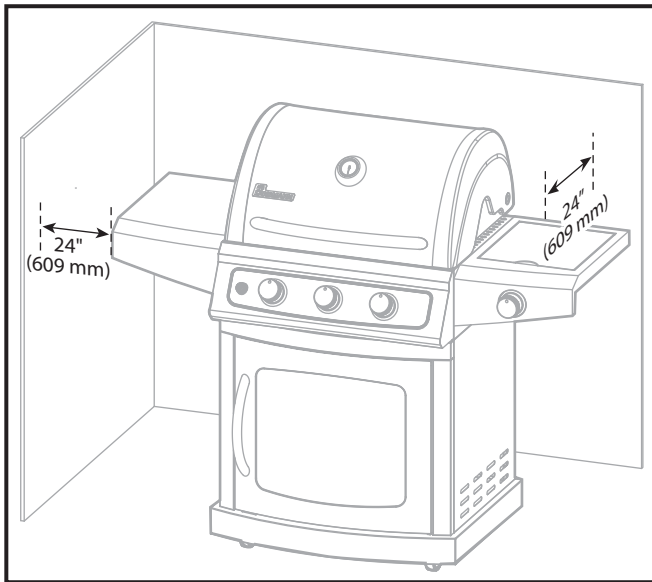
ATTENTION

Respecter les avertissements et les mises en garde de ce manuel d'instructions sous peine de blessures corporelles graves ou la mort ou d'un incendie ou d'une explosion causant des dégâts matériels.

- Veiller à suivre à la lettre toutes les instructions d'assemblage. L'assemblage incorrect de ce gril peut être dangereux.
- **NE JAMAIS** utiliser de charbon de bois, d'essence pour briquets, d'essence, de kérosène ni d'alcool pour allumer ce gril.
- Pour allumer le gril ou durant la cuisson, **NE PAS** se pencher sur le gril ouvert.
- Toujours ouvrir lentement le couvercle du gril dans la mesure où la chaleur piégée à l'intérieur risque de causer des brûlures graves.
- **NE PAS** mettre les mains ou les doigts au bord du foyer lorsque le couvercle est ouvert ou le gril chaud.
- Tenir les enfants et les animaux domestiques à l'écart du gril en cours d'utilisation. Les pièces accessibles peuvent être brûlantes.
- **NE PAS** essayer de déconnecter le détendeur et le flexible ou tout raccord de gaz pendant que le gril est en marche.

Consignes de sécurité importantes

- Ce gril **NE DOIT PAS** être placé sous une construction combustible non protégée. Compter au moins 61 cm du haut, du bas, de l'arrière et des côtés du gril (voir ci-dessous).



- Ce gril est un appareil d'extérieur et **NE DOIT PAS** être utilisé dans un bâtiment, un garage ou tout autre endroit fermé.
- **NE PAS** obstruer la circulation de l'air de combustion et de ventilation. Garder les bouches de ventilation du compartiment de la bouteille ouvertes et propres.
- Si les brûleurs s'éteignent alors que le gril est en cours d'utilisation, fermer tous les robinets de gaz. Ouvrir le couvercle et attendre cinq minutes avant d'essayer de rallumer le gril, en suivant les instructions d'allumage.
- Laisser ce gril dégagé et dépourvu de matériaux combustibles, d'essence et autres vapeurs et liquides inflammables.
- **NE JAMAIS** stocker une bouteille de propane liquide de réserve ou déconnectée sous ou près de ce gril.
- Toujours utiliser des gants de four ou des maniques en utilisant le gril.
- **NE PAS** laisser le gril chaud sans surveillance et ne pas le déplacer lorsqu'il est en marche.
- Ce gril n'est pas prévu pour être utilisé ou installé sur des véhicules de plaisance, des bateaux, des remorques ou tout site mobile.
- **NE PAS** mettre une housse de gril ou quoi que ce soit d'inflammable sur le gril alors qu'il est en marche ou chaud.

- Le stockage d'un appareil de cuisson au gaz d'extérieur à l'intérieur est autorisé seulement si la bouteille est déconnectée et enlevée de l'appareil.
- Lorsque le gril n'est pas utilisé, s'assurer que le gaz est coupé (● **ARRÊT**) à la bouteille.
- Les bouteilles doivent être stockées à l'extérieur et hors de portée des enfants. La bouteille ne doit pas être stockée dans un bâtiment, un garage ou un autre endroit fermé.
- Toujours inspecter le flexible d'arrivée de gaz avant chaque utilisation. Si le flexible présente des signes d'abrasion ou de coupures, **NE PAS** utiliser le gril. Le flexible doit être remplacé avant réutilisation.
- Toujours s'assurer que les brûleurs et les venturis ne contiennent pas d'insectes ou de nids d'insectes.
- Toujours vérifier l'étanchéité des raccords chaque fois que vous connectez et déconnectez la bouteille de gaz PL.



ATTENTION

Le détendeur et le flexible fournis avec ce gril doivent être utilisés. Remplacer obligatoirement le détendeur ou le flexible d'origine par un détendeur ou flexible LANDMANN-USA.

- Les bouteilles de gaz doivent inclure un collier de protection du robinet de la bouteille.
- Les bouteilles de gaz PL cabossées ou rouillées peuvent être dangereuses et doivent être vérifiées par votre fournisseur de gaz PL.
- **NE PAS** utiliser de bouteilles de gaz PL avec un robinet endommagé.
- **NE PAS** agrandir les orifices de robinet ou de brûleur pour nettoyer les robinets et les brûleurs.
- En cas d'observation, d'odeur ou de bruit de gaz fuyant de la bouteille de gaz PL, s'éloigner de celle-ci. **NE PAS** essayer de corriger vous-même le problème et appeler les pompiers.
- En cas d'incendie de graisse, fermer (● **ARRÊT**) les brûleurs et laisser le couvercle fermé jusqu'à extinction du feu.
- **NE PAS** modifier le gril d'une quelconque manière. Toute altération annule automatiquement la garantie.
- **NE PAS** utiliser le gril en cas de vent fort.



Consignes de sécurité importantes

La bouteille de PL utilisée doit être construite et marquée conformément aux spécifications relatives aux bouteilles de gaz PL du ministère des Transports des États-Unis (DOT) ou de la Norme nationale du Canada, CAN/CSA-b339, CAN/CSA-B339 (Sélection et utilisation de bouteilles, tubes et autres récipients utilisés pour le transport des marchandises dangereuses).

La bouteille de gaz PL doit être :

- fournie avec un dispositif de prévention de remplissage excessif homologué
- fournie avec un dispositif de raccordement de bouteille compatible avec le raccord des appareils de cuisson au gaz d'extérieur.

Avertissements relatifs à la Proposition 65 (Californie)



Ce produit contient un ou plusieurs produits chimiques connus dans l'État de la Californie pour causer un cancer.



Ce produit contient un ou plusieurs produits chimiques connus dans l'État de la Californie pour causer des malformations congénitales ou d'autres troubles de la reproduction.



Un incendie pouvant causer la mort ou des blessures graves est possible si les consignes suivantes ne sont pas suivies à la lettre :

NE JAMAIS stocker ni utiliser de l'essence ou d'autres substances volatiles à proximité de ce gril.

NE JAMAIS ranger une bouteille de propane de secours à proximité de ce gril ou à proximité d'une autre source potentielle de chaleur.

NE JAMAIS remplir la bouteille de propane à plus de 80 %.



NE PAS ranger de bouteille de gaz de secours dans le gril ou près de celui-ci.

Placer le bouchon anti-poussière sur la sortie du robinet de la bouteille chaque fois que la bouteille n'est pas utilisée. Installer uniquement le bouchon anti-poussière sur la sortie du robinet de la bouteille fourni avec le robinet. Les autres types de bouchons risquent de causer une fuite de propane.



Consignes de sécurité relatives au propane liquide (PL)

Lire les directives et les consignes de sécurité ci-dessous concernant l'utilisation de gaz propane liquide (LP).

Renseignements généraux

- Ce gril est destiné à être utilisé avec une bouteille de gaz de PL de 9 kg standard.
- N'importe quelle marque de bouteille de gaz PL de 9 kg est acceptable avec ce gril, à condition qu'elle soit compatible avec le moyen de retenue du gril (boulon du plateau de la bouteille).
- Ce gril est certifié par le CSA international pour l'alimentation locale en gaz PL.
- Ce gril **NE PEUT PAS** être converti au gaz naturel. **NE PAS** essayer de convertir ce gril avec un autre type de gaz.

Consignes de sécurité

- Le gaz PL a une odeur similaire au gaz naturel.
- Le gaz PL est plus lourd que l'air et le gaz qui fuit risque de stagner au ras du sol et de résister à la dispersion.
- Les bouteilles de PL doivent être installées, transportées et stockées à la verticale.
- Les bouteilles de gaz PL ne doivent pas tomber par terre ni être malmenées.
- **NE PAS** utiliser de bouteille de gaz PL endommagée. Une bouteille de gaz PL cabossée ou rouillée ou une bouteille de gaz PL avec un robinet endommagé peut être dangereuse et devra être immédiatement remplacée par une bouteille neuve.
- **TOUJOURS** fermer le robinet de la bouteille après utilisation.
- **TOUJOURS** fermer le robinet de la bouteille en déconnectant le détendeur.
- **TOUJOURS** traiter les bouteilles de gaz PL supposément vides avec le même soin que si elles étaient pleines. Une bouteille de gaz PL supposément vide pourra toujours contenir du gaz sous pression.
- **NE JAMAIS** stocker ni transporter une bouteille de gaz PL là où la température est susceptible d'atteindre 51 °C.
- Tenir les bouteilles de gaz PL à l'écart des enfants et des animaux domestiques.

- **NE PAS** stocker de bouteilles déconnectées dans un bâtiment, un garage ou un autre endroit fermé.
- Si la bouteille de gaz PL reste dans le gril entre deux utilisations, veiller à laisser le gril et la bouteille dans une zone extérieure avec une bonne ventilation.
- **TOUJOURS** tester l'étanchéité du raccord de la bouteille de gaz PL lors d'un changement de bouteille.

Installation de la bouteille de gaz PL

1. S'assurer que toutes les commandes de brûleur sont sur **• ARRÊT**.
2. Ouvrir la porte de l'armoire.
3. Placer la bouteille précisément dans le gros trou du panneau de fond.
4. Pour fixer en place la bouteille de gaz PL, visser le boulon du plateau de retenue de la bouteille à travers le bas de la bouteille de gaz PL.
5. Attacher le détendeur à la bouteille en le **SERRANT À LA MAIN** seulement.
6. **NE JAMAIS** utiliser de clé ou d'autre outil pour serrer ce raccord.
7. Observer tous les codes et décrets en vigueur.

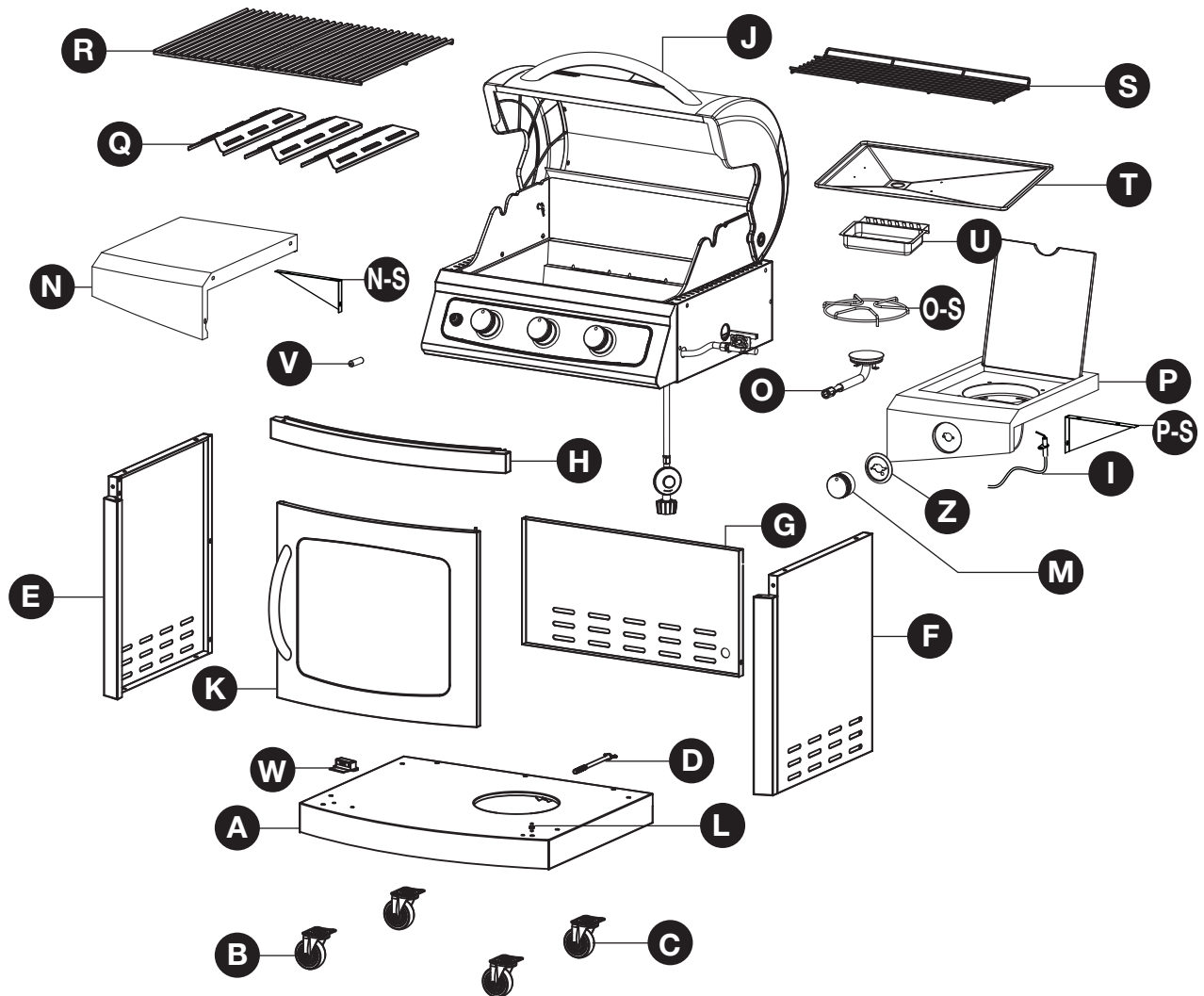
Important

Aux États-Unis, l'installation d'un appareil au gaz PL doit se conformer aux codes et aux décrets locaux. En l'absence de codes locaux, l'installation de l'appareil doit se conformer au National Fuel Gas Code, ANSI Z223.1/NFPA54, au Code d'installation du gaz naturel et du propane, CSA B149.1 ou au Code sur le stockage et la manipulation du propane, B149.2, selon le cas.

Pour le Canada, l'installation de ce gril doit être conforme aux codes locaux et/ou à la norme CSA-B149.2 (Code sur le stockage et la manipulation du propane).



Contenu du paquet



Part	Description	Quantity	Part	Description	Quantity
A	Panneau du fond	1	N-S	Support d'étagère gauche	1
B	Roulette libre	2	O	Grille du brûleur latéral	1
C	Roulette bloquante	2	O-S	Grille de brûleur latéral	1
D	Boulon du plateau de la bouteille	1	P	Étagère droite	1
E	Panneau latéral gauche	1	P-S	Support d'étagère droite	1
F	Panneau latéral droit	1	Q	Tente à flammes	3
G	Panneau arrière	1	R	Grille de cuisson	2
H	Armature du chariot	1	S	Grille de chauffage	1
I	Ligne d'allumage	1	T	Lêchefrite	1
J	Corps du grill	1	U	Boîte à graisse	1
K	Porte	1	V	Pile AA	1
L	Goupille inférieure de la porte	1	W	Aimant de la porte inférieure	1
M	Bouton de commande	1	X	Outil d'allumage du grill (non illustré)	1
N	Étagère gauche	1	Z	Base du bouton de commande	1

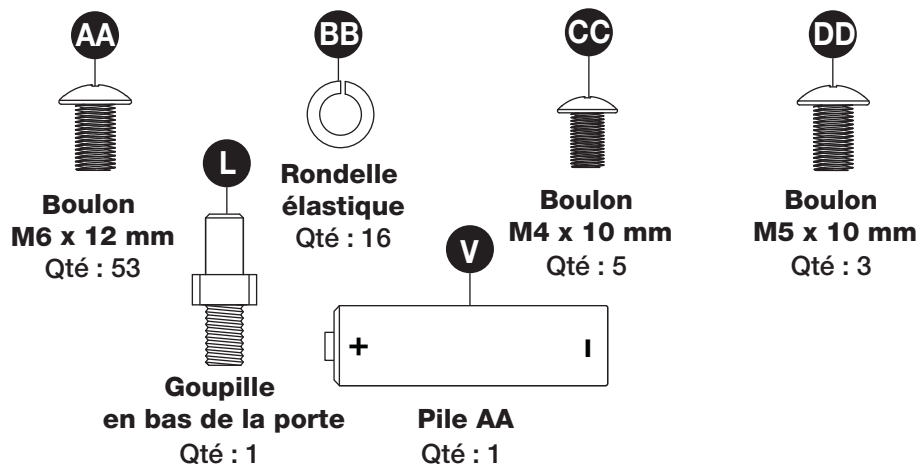


Préparation

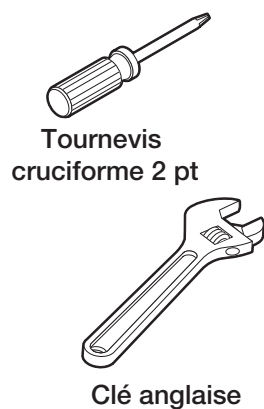
Avant de commencer l'assemblage de ce gril, s'assurer que rien ne manque (voir Contenu du paquet à la page 54 et Matériel, ci-dessous). Si une pièce manque ou est endommagée, ne pas essayer d'assembler le produit.

Temps d'assemblage approximatif : 50 minutes en s'y prenant à deux

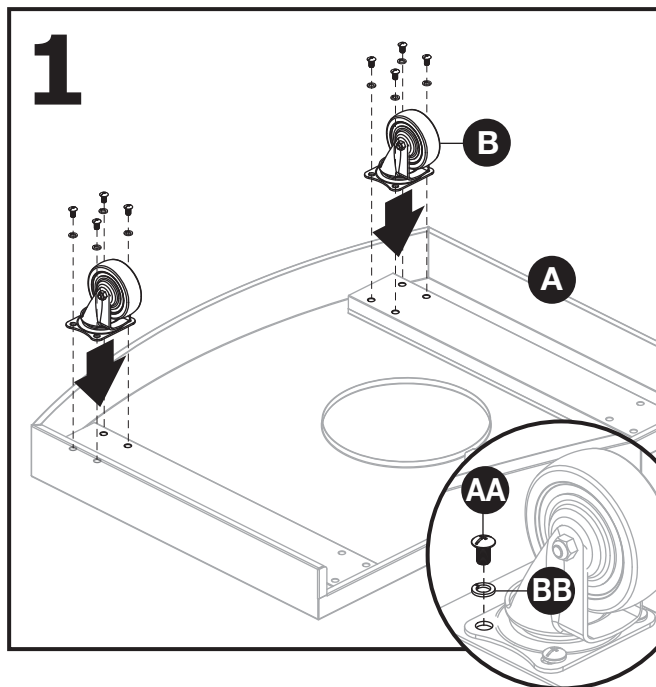
Matériel



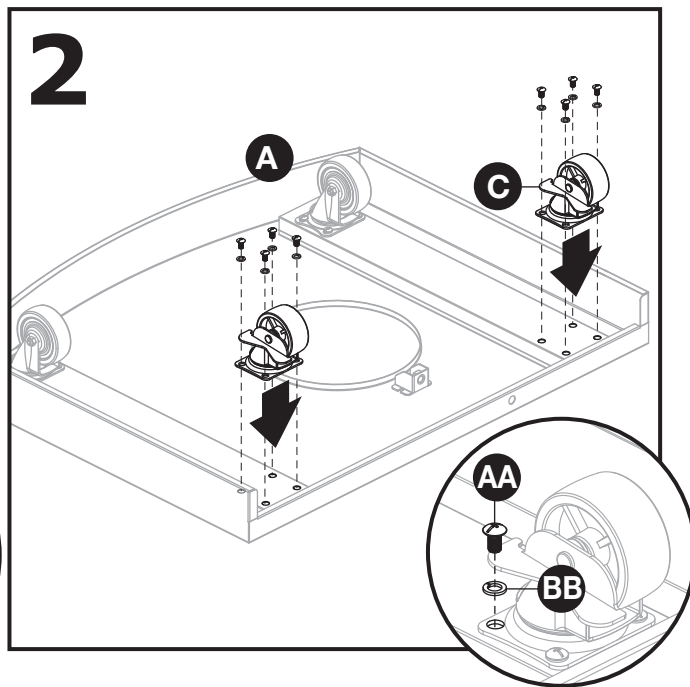
Outils requis



Instructions d'assemblage



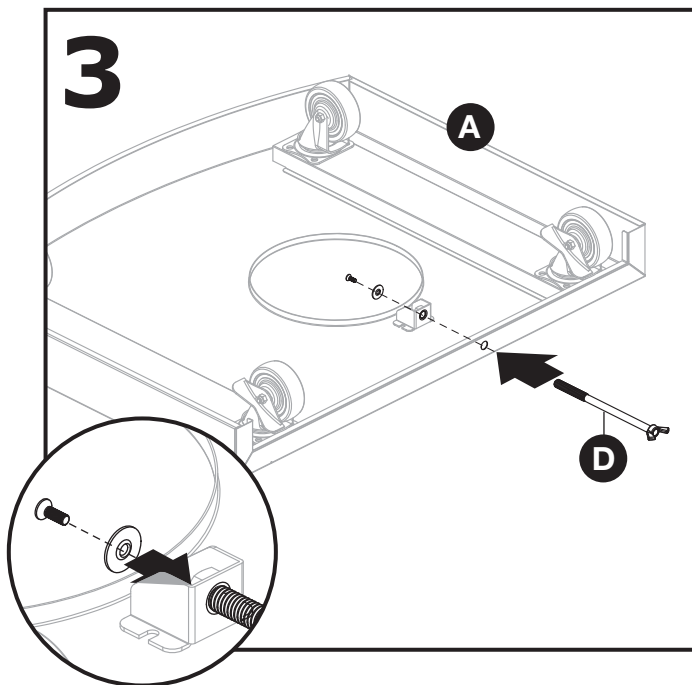
Attachez les roulettes libres (B) à l'avant du panneau du fond (A) et fixez à l'aide des rondelles élastiques (BB) et des boulons (AA).



Attachez les roulettes bloquantes (C) au panneau du fond (N) et fixez à l'aide des rondelles élastiques (BB) et des boulons (AA).

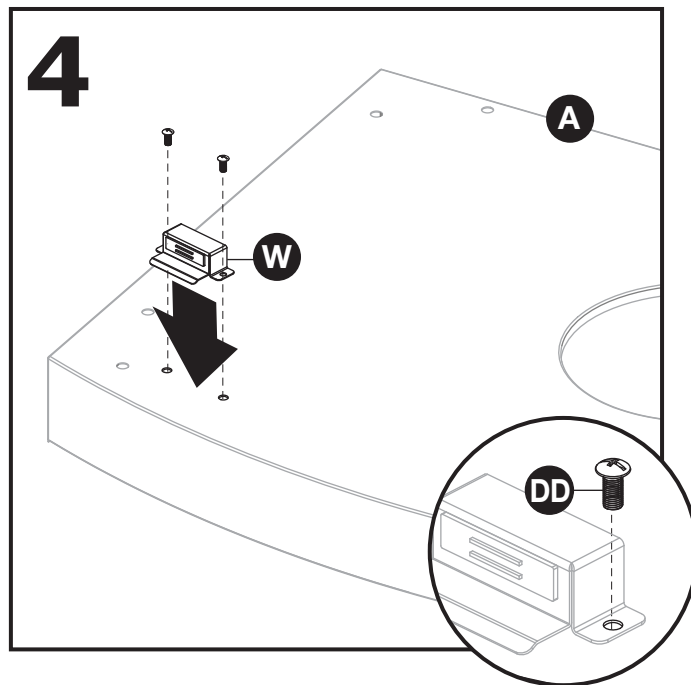


Instructions d'assemblage

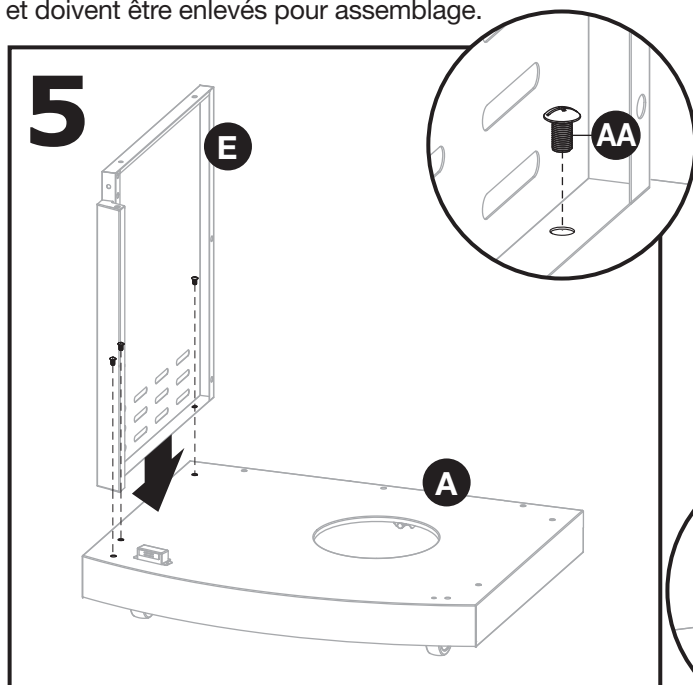


Enfilez le boulon du plateau de la bouteille (D) dans le trou à l'arrière du panneau du fond (A) et du support. Fixez solidement à l'aide de la rondelle et du petit boulon.

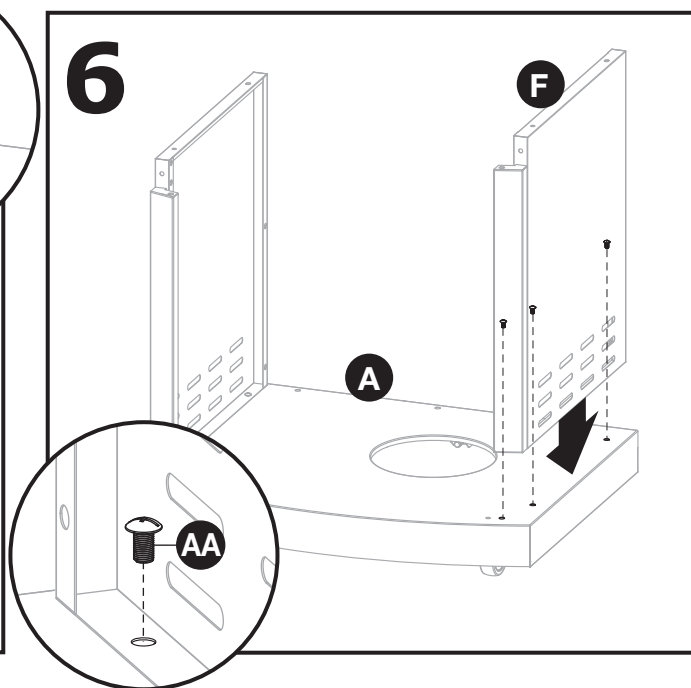
Remarque : La rondelle et le petit boulon sont attachés au boulon du plateau de la bouteille (D) et doivent être enlevés pour assemblage.



Attachez l'aimant (W) au panneau du fond (A) et fixez à l'aide des boulons (DD), comme illustré.

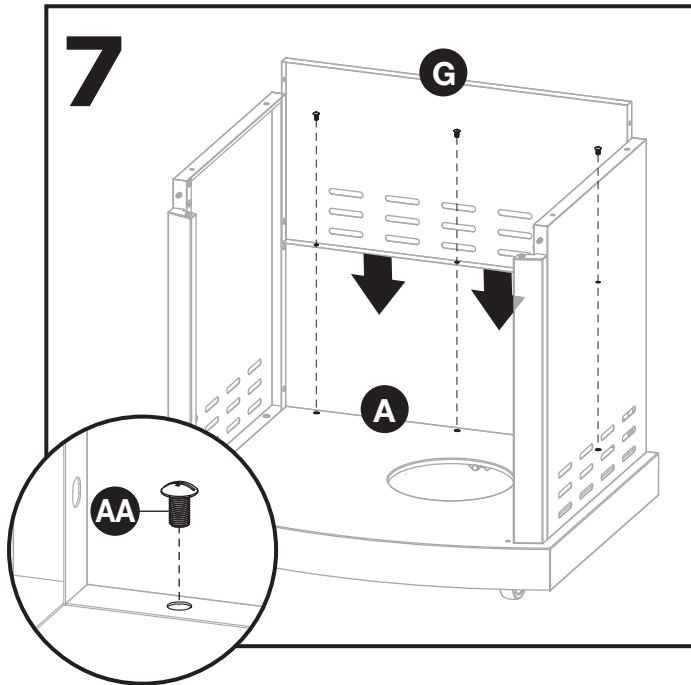


Attachez le panneau latéral gauche (E) au panneau du fond (A) à l'aide des boulons (AA).

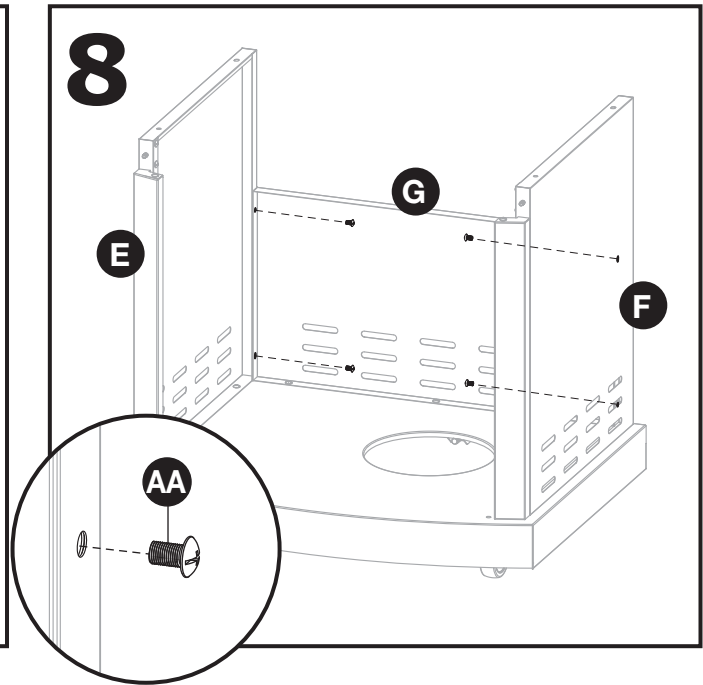


Attachez le panneau latéral droit (F) au panneau du fond (A) à l'aide des boulons (AA).

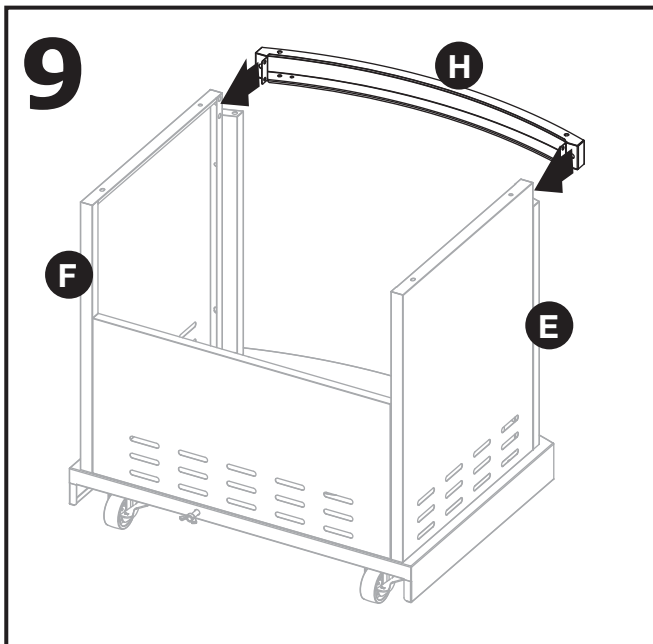
Instructions d'assemblage



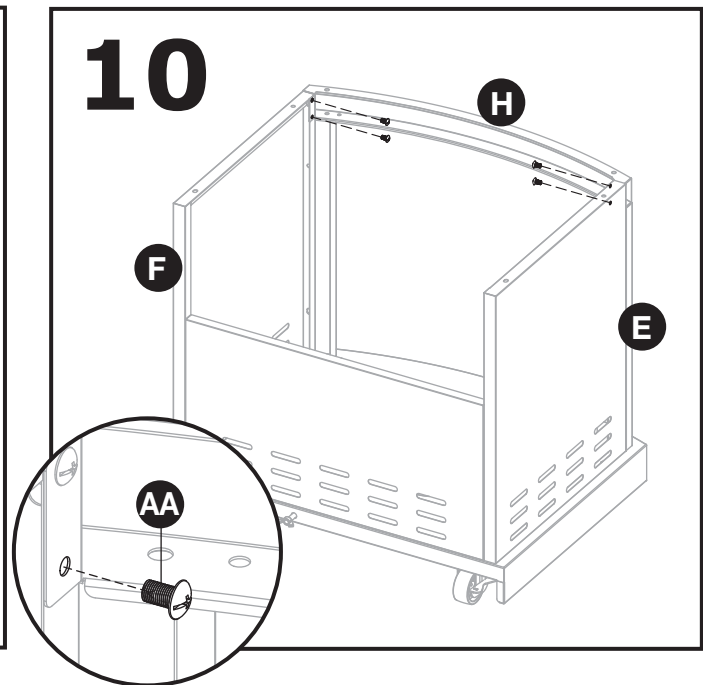
Attachez le panneau arrière (G) au panneau du fond (A) à l'aide des boulons (AA).



Fixez le panneau arrière (G) aux panneaux latéraux gauche et droit (E, F) à l'aide des boulons (AA), comme illustré.



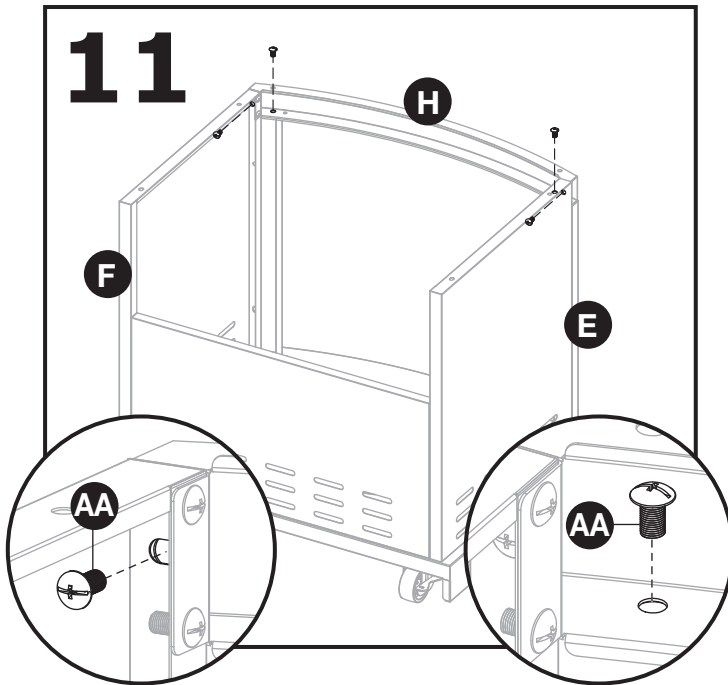
Par l'avant du chariot, installez l'armature du chariot (H) aux panneaux latéraux gauche et droit (E, F).



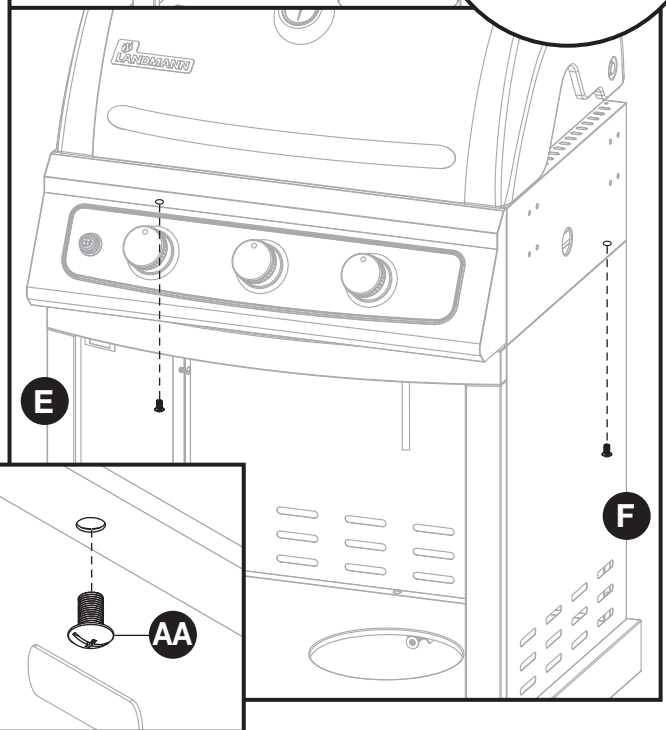
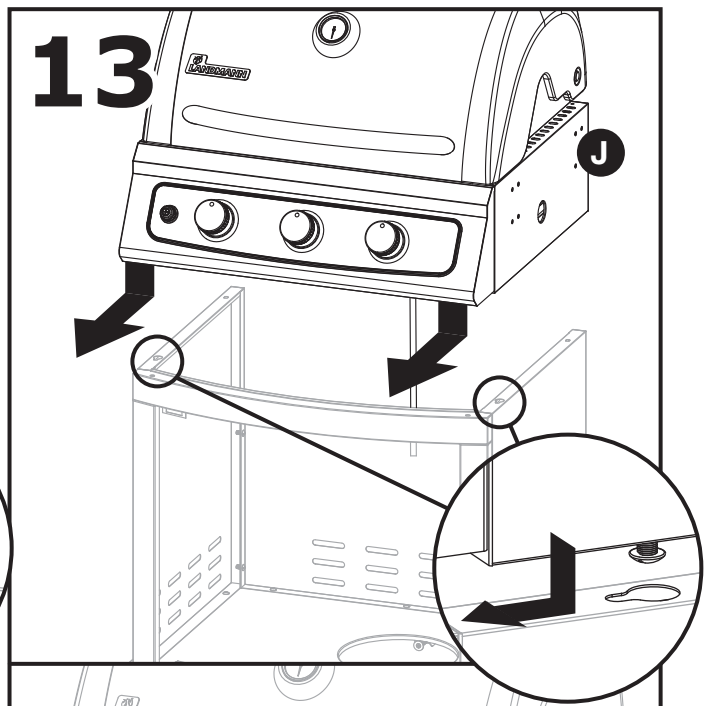
Fixez l'armature du chariot (H) à l'aide des boulons (AA) en haut des panneaux gauche et droit (E, F), comme illustré.



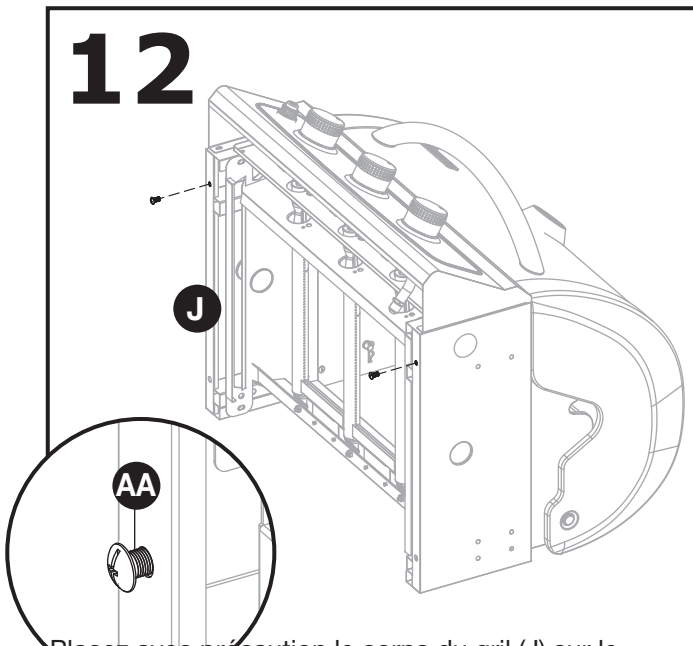
Instructions d'assemblage



Finissez d'attacher l'armature du chariot (H) aux panneaux latéraux (E, F) avec des boulons supplémentaires (AA), comme illustré.



Abaissez le corps du grill (J) sur les panneaux latéraux gauche et droit (E, F) et alignez les boulons de l'étape 12 sur les trous de serrure en haut des panneaux latéraux. Glissez le corps du grill vers l'avant. Enfilez les boulons (AA) dans les trous qui leur sont réservés à l'arrière. Serrez bien les quatre boulons sous le corps du grill.



Placez avec précaution le corps du grill (J) sur le dos. Insérez les boulons (AA) dans les deux trous les plus proches de l'avant du corps du grill. Insérez ces boulons à moitié **SEULEMENT**.

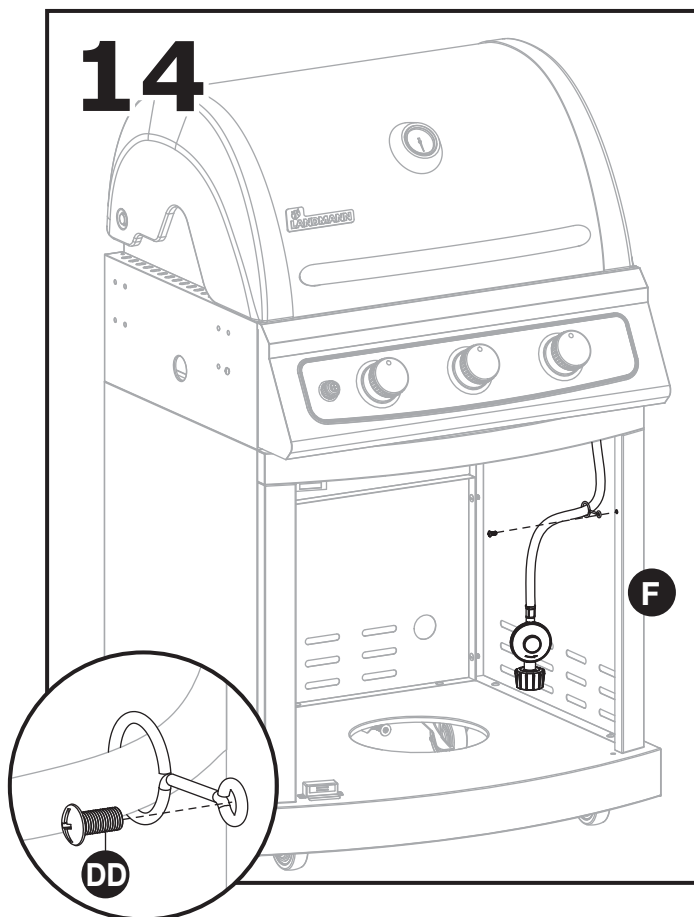


REMARQUE IMPORTANTE :
Cette étape exige l'intervention de deux personnes pour permettre le positionnement correct et sans danger du corps du grill.

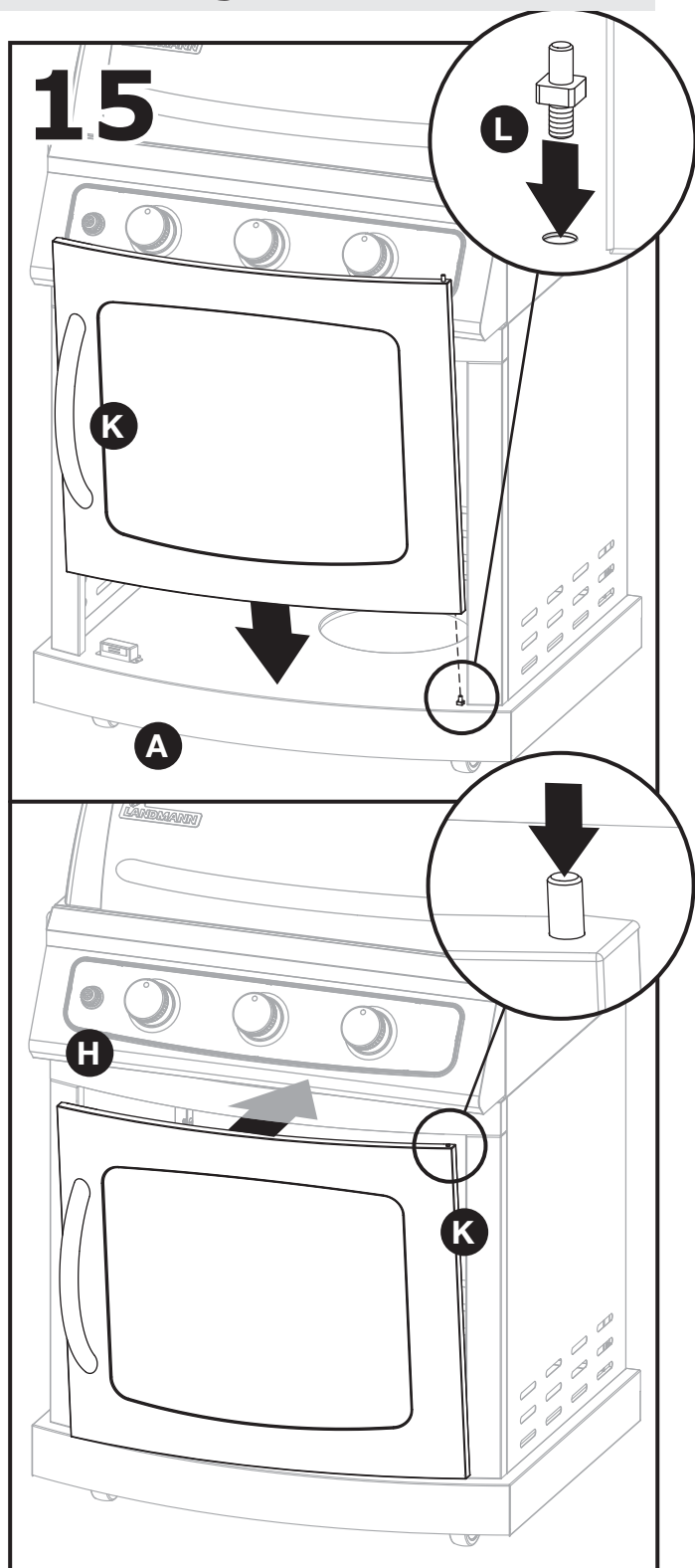


REMARQUE IMPORTANTE :
Cette étape exige l'intervention de deux personnes pour permettre le positionnement et la fixation corrects et sans danger du corps du grill.

Instructions d'assemblage

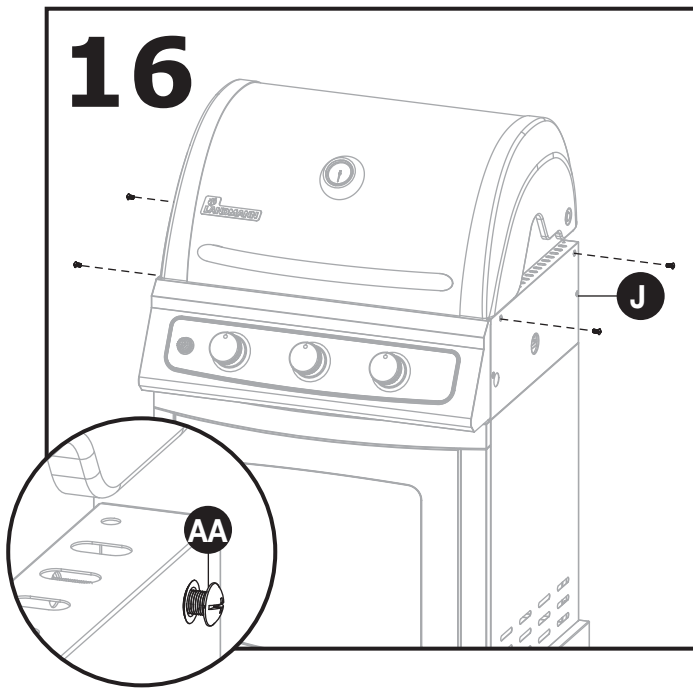


Fixez l'ensemble détendeur/flexible à l'intérieur du panneau latéral droit (F) à l'aide d'un boulon (DD), comme illustré.

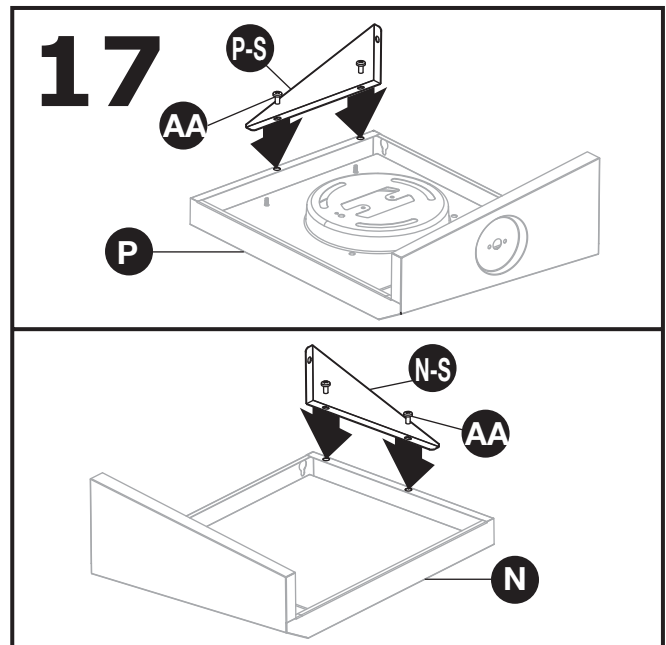


Enfilez la goupille inférieure de la porte (L) dans le trou du panneau du fond (A). Alignez le trou en bas à droite de la porte (K) sur la goupille inférieure de la porte (L) pour y insérer celle-ci. Poussez avec précaution la goupille-ressort sur l'angle supérieur droit de la porte (K) et déplacez la porte pour que la goupille-ressort glisse dans le trou de l'armature du chariot (H).

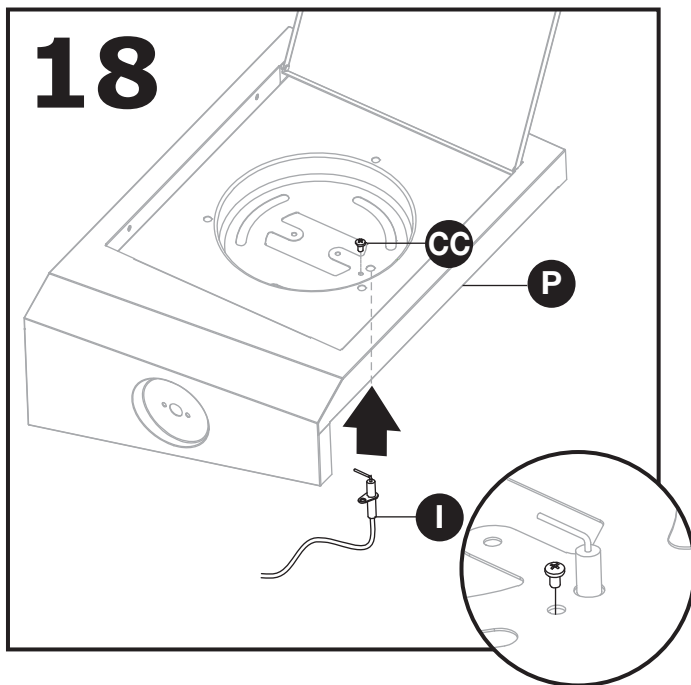
Instructions d'assemblage



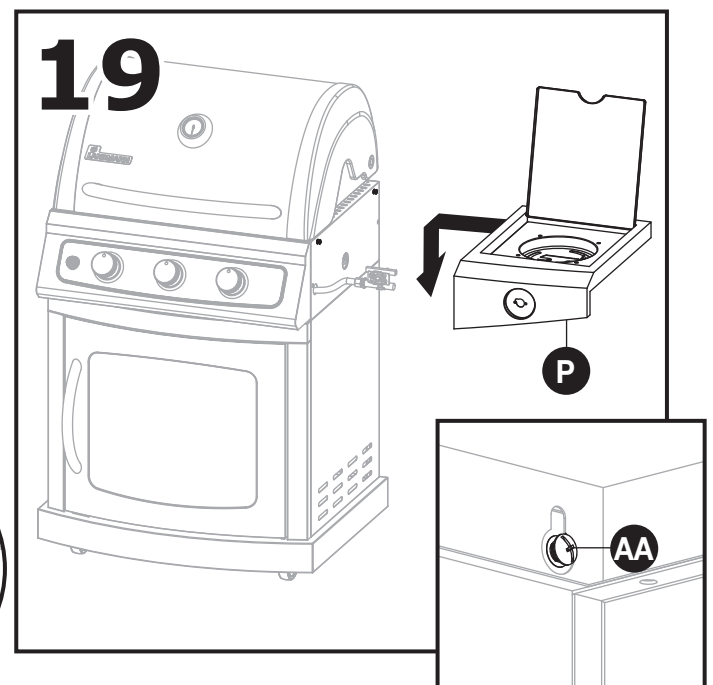
Attachez les boulons (AA) à mi-distance (comme illustré) sur les côtés gauche et droit du corps du grill (J).



Attachez le support d'étagère droite (P-S) en bas de l'étagère droite (P) avec les boulons (AA). Attachez le support d'étagère gauche (N-S) en bas de l'étagère gauche (P) avec les boulons (AA).



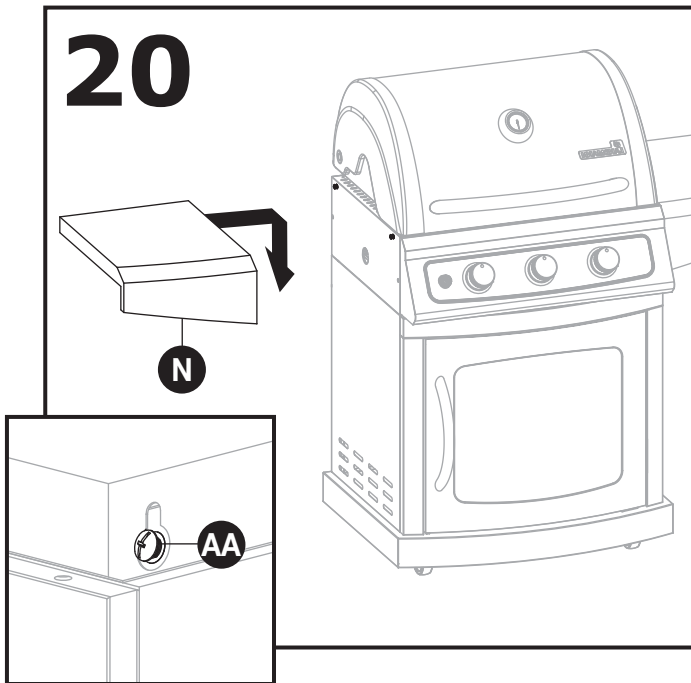
Insérez la ligne d'allumage (I) dans le trou en bas de l'étagère droite (P). Fixez à l'aide du boulon (CC).



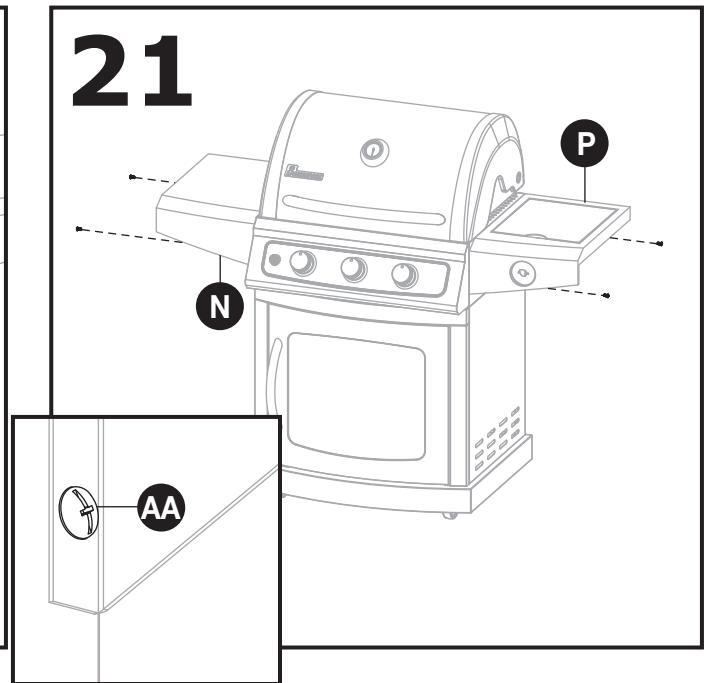
Alignez les trous de serrure de l'étagère droite (P) sur les boulons (AA) installés sur le corps du grill (J) à l'étape 16. Glissez l'étagère droite vers le bas jusqu'à ce que les boulons soient dans la partie étroite du toru de serrure.



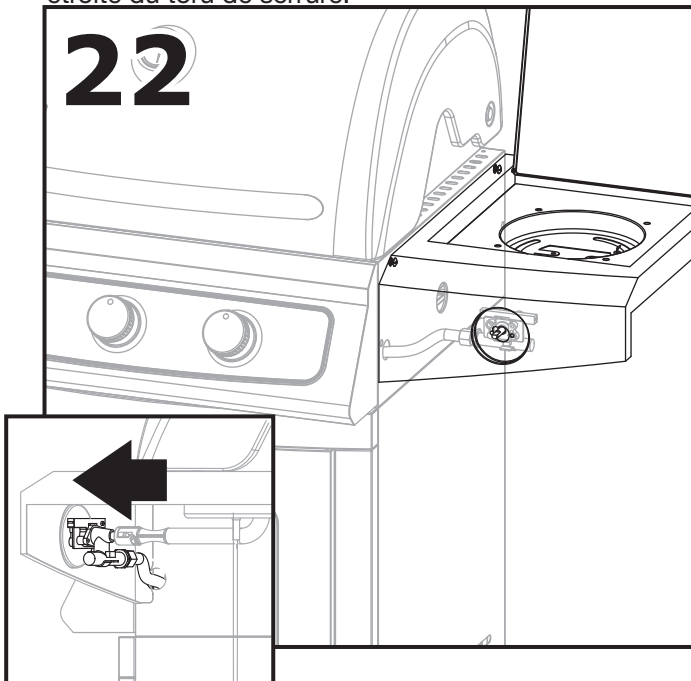
Instructions d'assemblage



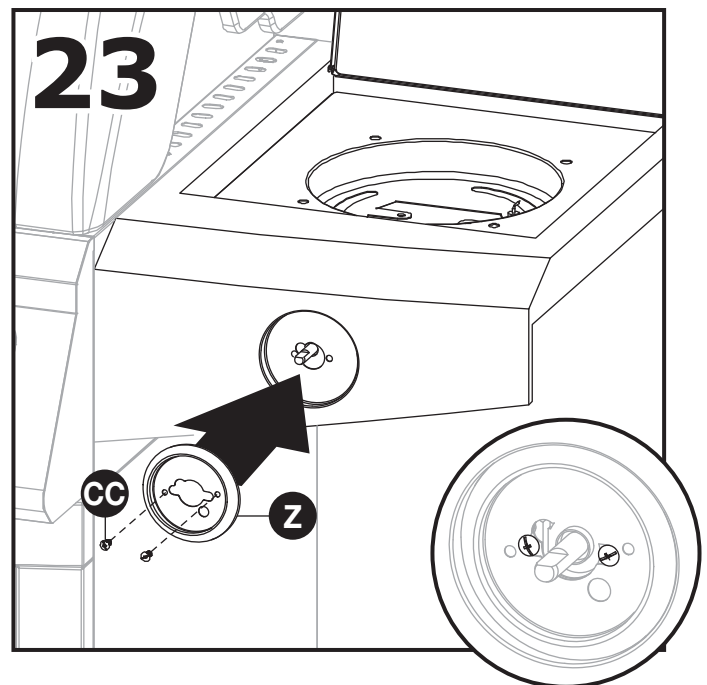
Alignez les trous de serrure de l'étagère gauche (N) sur les boulons (AA) installés sur le corps du grill (J) à l'étape 16. Glissez l'étagère gauche vers le bas jusqu'à ce que les boulons soient dans la partie étroite du toru de serrure.



Alignez les trous inférieurs de l'étagère gauche (N) et de l'étagère droite (P) sur les trous du corps du grill (J). Insérez les boulons (AA) pour fixer. Serrez tous les boulons (AA) à fond.



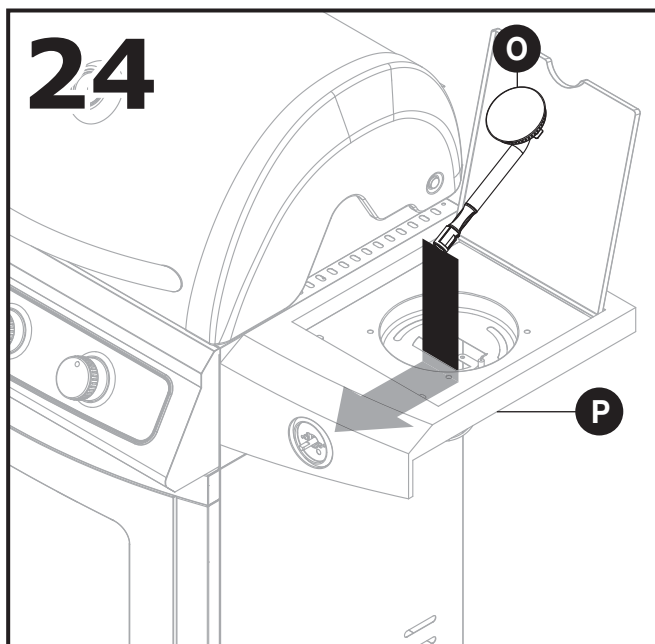
Tirez délicatement sur le robinet de gaz et faites-le passer par le trou sur l'avant de l'étagère droite (P).



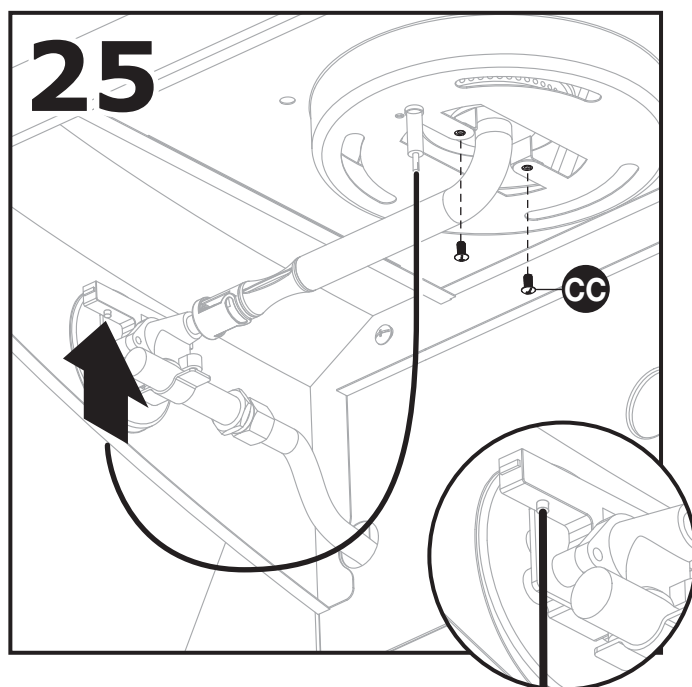
Attachez le robinet de gaz à l'étagère droite (P) en plaçant la base du bouton pardessus le robinet et en serrant la base du bouton (Z) sur le robinet de gaz à l'aide des boulons (CC).



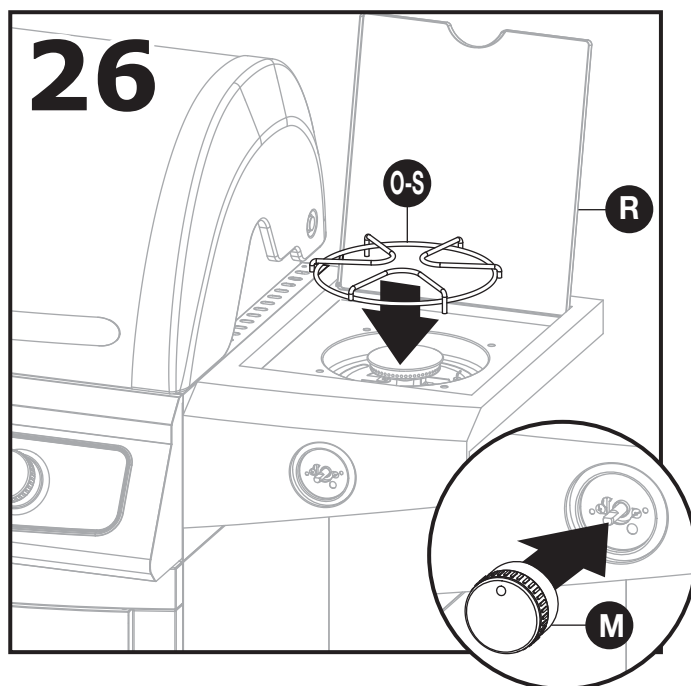
Instructions d'assemblage



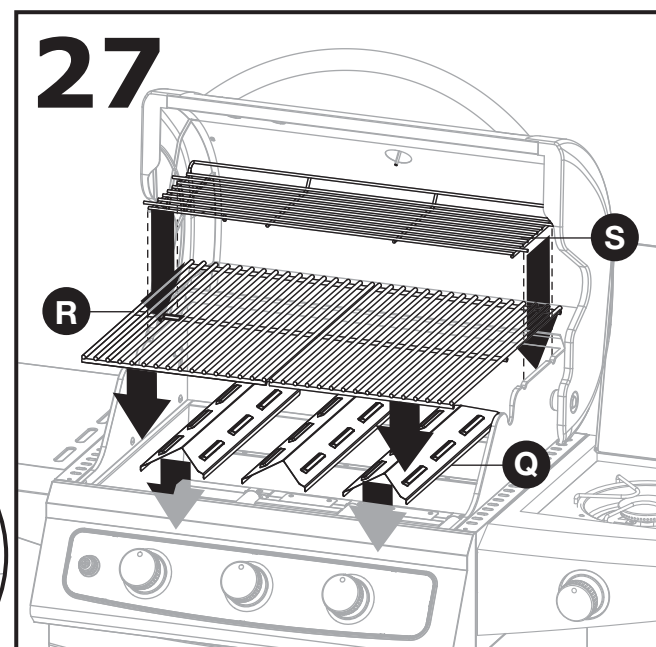
Glissez le brûleur latéral (O) dans le trou supérieur de l'étagère droite (P). Guidez le tube avant du brûleur latéral de manière à l'accoupler au robinet de gaz.



Attachez le brûleur latéral (A1) à l'étagère droite (P) avec les boulons (CC). Installez le fil de l'électrode sur le robinet de gaz du brûleur latéral en branchant son extrémité dans la prise.



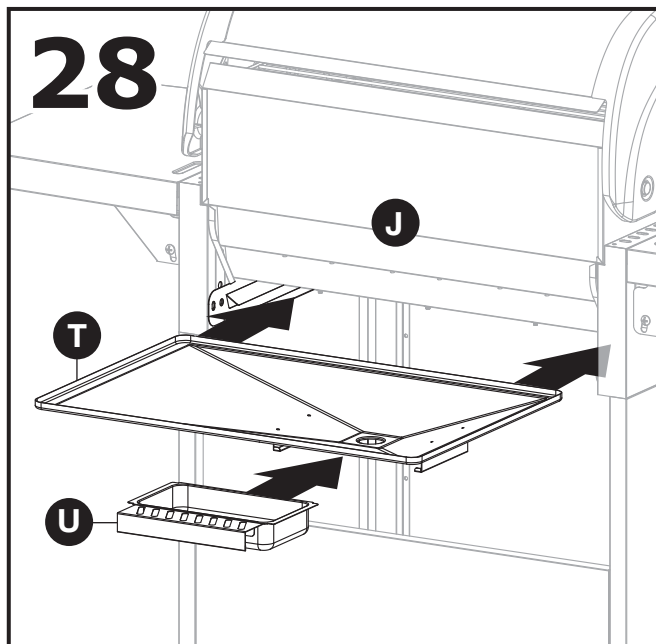
Placez la grille de brûleur latéral (O-S) dans les trous correspondants de l'étagère droite (P). Fixez le bouton (M) en le pressant sur la tige du robinet de gaz.



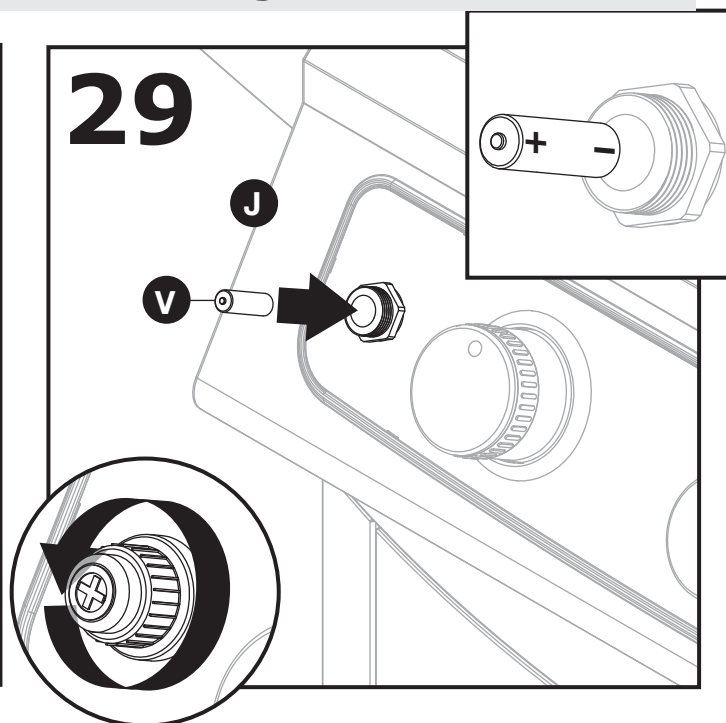
Tout d'abord, insérez les tentes à flammes (Q), puis les grilles de cuisson (R) et la grille de réchaud (S) dans cet ordre.



Instructions d'assemblage



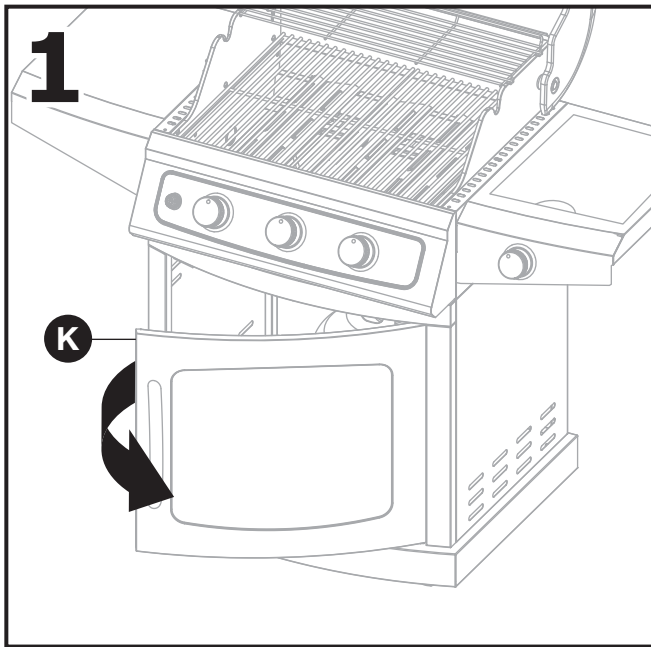
Par l'arrière du grill, glissez la lèchefrite (T) dans les fentes du corps du grill (J) jusqu'à ce qu'elle soit alignée sur le fond du grill. Ensuite, placez la boîte à graisse (U) dans la fente en dessous de la lèchefrite.



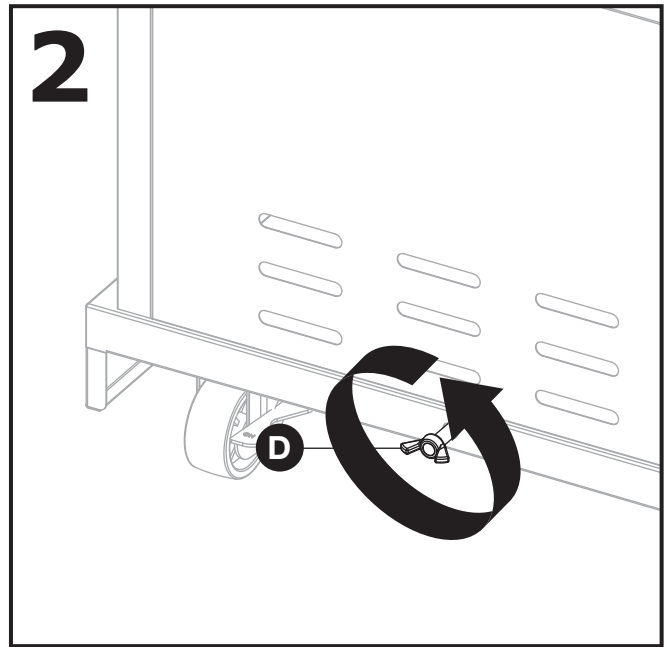
Dévissez le capuchon du bouton de l'allumeur sur le panneau de commande du corps du grill (J). Insérez la pile AA (V) en tournant le pôle positif vers l'extérieur.



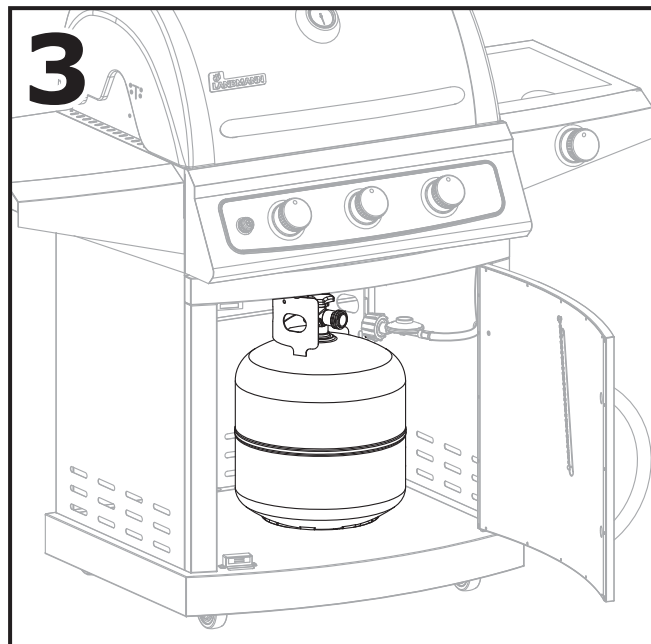
Montage de la bouteille



Ouvrez la porte de l'armoire (K).



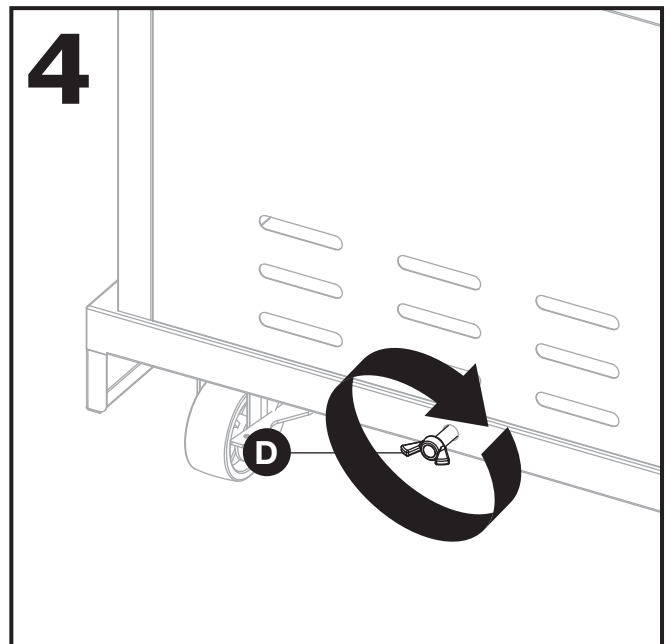
Tournez le boulon de la bouteille (D) dans le sens anti-horaire jusqu'à ce qu'il soit desserré.



Placez le collier inférieur de la bouteille de gaz PL de 9 kg dans le trou de montage du plateau.

REMARQUE IMPORTANTE :

La bouteille de gaz PL de 9 kg doit mesurer 315 mm (profondeur) x 480 mm (hauteur).



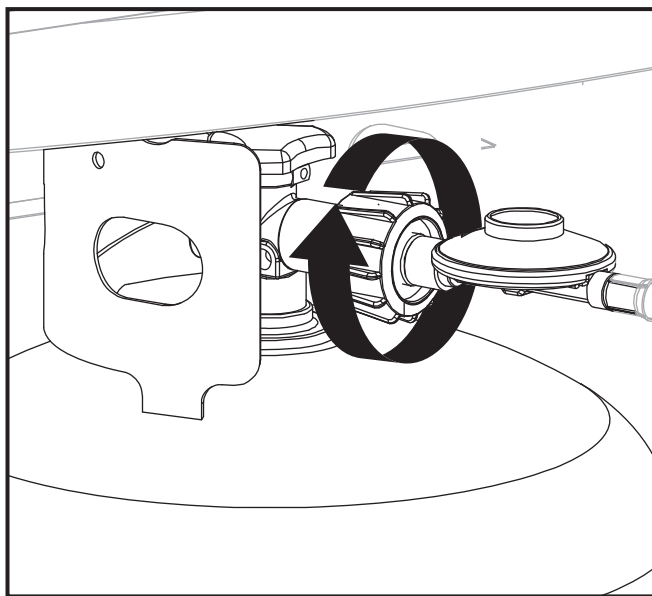
Serrez le boulon de la bouteille (D) dans le sens horaire contre le collier inférieur de la bouteille de gaz PL de 9 kg pour l'attacher.



Raccordement de la bouteille de gaz

1. **TOUJOURS** placer la bouteille de propane sur son support sous le chariot.
2. **TOUJOURS** confirmer que tous les boutons des brûleurs sont sur position **ARRÊT** avant d'ouvrir l'arrivée de gaz.
3. Avant raccordement, s'assurer qu'il n'y a pas de débris pris dans la tête de la bouteille de gaz, dans la tête du détendeur ou dans la tête et les orifices des brûleurs.
4. **TOUJOURS** brancher les détendeurs comme suit : insérer le mamelon du raccord du robinet dans le robinet de la bouteille et serrer le collier en le tournant d'une main dans le sens des aiguilles d'une montre tout en tenant le détendeur de l'autre main.
5. Déconnecter la bouteille de propane du robinet du détendeur quand le gril n'est pas utilisé.
6. **NE PAS** obstruer la circulation de l'air de combustion et de ventilation du gril.
7. Garder les bouches de ventilation du compartiment de la bouteille ouvertes et propres.

S'assurer que le dispositif de raccordement du robinet de la bouteille s'accouplera correctement et sans danger avec le dispositif de raccordement attaché à l'arrivée du détendeur.



Dépistage des fuites

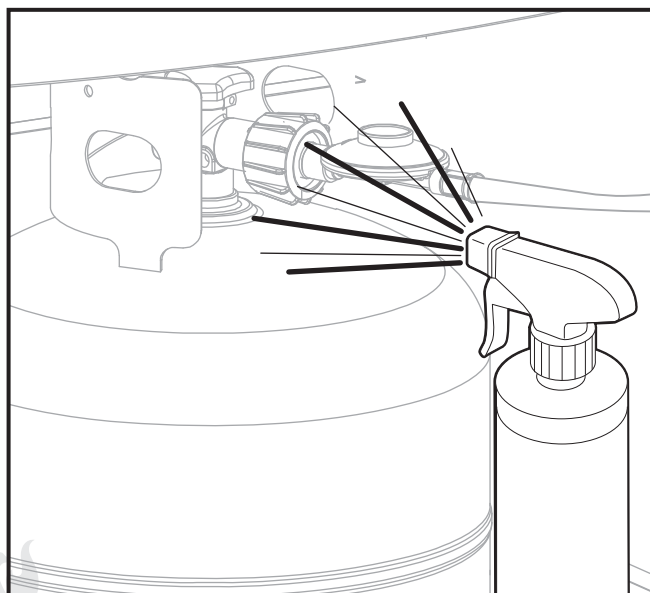
1. Mélangez un volume de liquide à vaisselle à trois volumes d'eau.
2. Assurez-vous que les boutons de commande sont sur position **• ARRÊT**.
3. Pulvérisez la solution sur le robinet de la bouteille, en remontant jusqu'au raccord du robinet. (Voir le diagramme ci-dessous.)



Pour éviter tout risque d'incendie ou d'explosion lors d'un test de dépistage des fuites :

1. **TOUJOURS** effectuer le test avant d'allumer le gril et à chaque branchement de la bouteille avant utilisation.
2. **NE PAS** fumer ni laisser d'autres sources d'inflammation dans la zone durant un test de dépistage des fuites.
3. Effectuer le test à l'extérieur, à un endroit bien ventilé.
4. **NE PAS** utiliser d'allumettes, de briquets ou de flamme pour dépister les fuites.
5. **NE PAS** utiliser le gril avant d'avoir colmaté toutes les fuites. Si la fuite ne peut pas être colmatée, débrancher la bouteille de propane, appeler un réparateur d'appareils au gaz ou le fournisseur local de propane.

4. Inspectez la solution au niveau des raccords pour voir s'il y a des bulles. S'il n'y a pas de bulles, le raccord est bien serré.
5. S'il y a des bulles, vous avez une fuite. Allez à l'étape 6.
6. Débranchez le détendeur de la bouteille et rebranchez-le. Assurez-vous que le raccord est bien serré.
7. Faites un nouveau test avec la solution.
8. Si des bulles grossissantes apparaissent, n'utilisez pas la bouteille de gaz PL. Contactez votre fournisseur de gaz PL ou les pompiers!



Instructions d'allumage

Avant la première utilisation, il est important de nettoyer le gril à chaud. Ceci permettra de nettoyer les pièces internes en brûlant tous les résidus et les odeurs du processus de fabrication. Pour effectuer ce nettoyage, faites fonctionner le gril pendant une trentaine de minutes au réglage le plus fort, avec le couvercle fermé.

IMPORTANT

Lisez ces instructions avant d'essayer d'allumer le gril.



Si le couvercle n'est pas ouvert avant l'allumage, il peut en résulter un allumage explosif qui peut causer des blessures graves, voire la mort.



NE PAS se pencher sur le gril ouvert durant l'allumage.

1. Mettez tous les boutons de brûleur sur ● **ARRÊT**.
2. Ouvrez le robinet de la source de gaz.
3. Le couvercle **DOIT** être ouvert lors de l'allumage.
4. Pour allumer un brûleur, appuyez et tournez tout bouton de commande sur la position 🔥 **HAUT**.
5. Appuyez et maintenez enfoncé le bouton de l'allumeur ⚡ électronique pour allumer le brûleur sélectionné.
6. Si le brûleur ne s'allume **PAS** en cinq secondes, tournez le bouton de commande du brûleur sur ● **ARRÊT**, attendez cinq minutes minimum que le gaz se dissipe, puis répétez la procédure d'allumage.

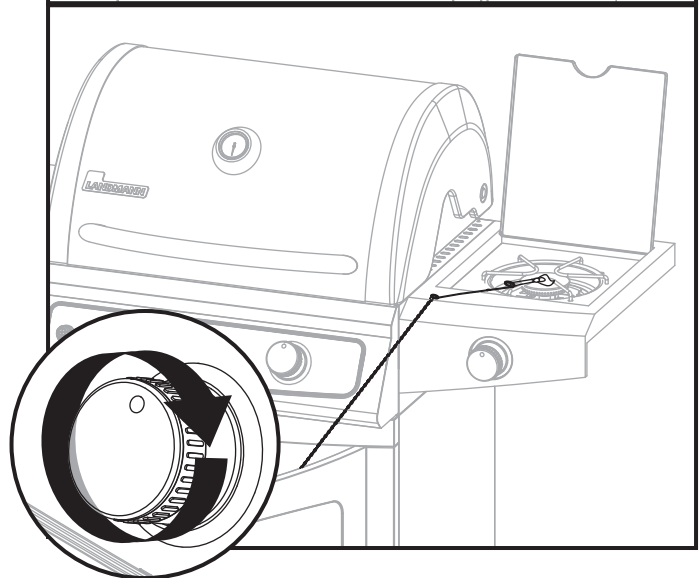
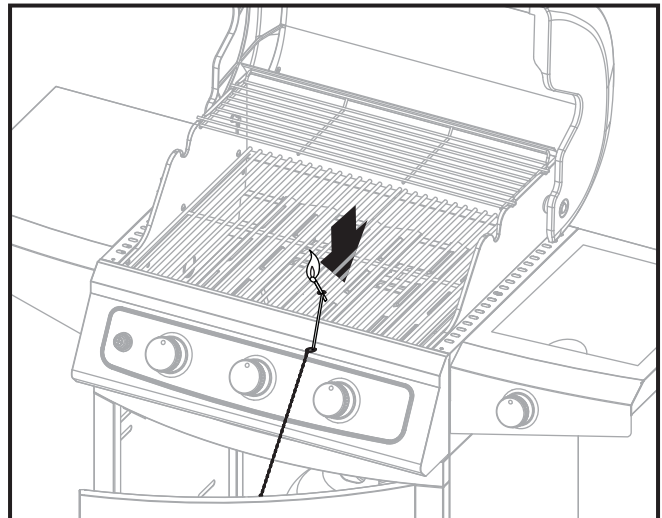


Respecter impérativement le délai d'attente de 5 minutes sous peine d'allumage explosif pouvant causer des blessures graves, voire la mort.

7. Pour éteindre le brûleur, appuyez sur le bouton de commande et tournez-le dans le sens horaire pour le mettre sur ● **ARRÊT**.

Allumage du brûleur latéral

1. Fermez les robinets des brûleurs à gaz ● (**ARRÊT**).
2. Ouvrez l'arrivée de gaz ou le robinet de la bouteille.
3. Ouvrez le couvercle durant l'allumage.
4. Appuyez sur le bouton de commande et, sans le relâcher, tournez **LENTEMENT** (2 à 3 secondes) sur ⚡ **ALLUMER**. Vous devriez entendre le cliquetis de l'allumeur.
5. Si le brûleur ne s'allume pas dans les 5 secondes, mettez la commande du brûleur sur ● **ARRÊT**, attendez 5 minutes et reprenez la procédure d'allumage.



Allumage à l'allumette

Remarque : L'outil d'allumage (W) se trouve derrière la porte (K).

1. Mettez tous les boutons de brûleur sur ● **ARRÊT**.
2. Ouvrez le robinet de la source de gaz.
3. Le couvercle **DOIT** être ouvert lors de l'allumage.
4. Enlevez l'outil d'allumage et insérez-y une allumette à l'extrémité.
5. Allumez l'allumette.
6. Une fois l'allumette allumée, guidez-la sous la grille.
7. Appuyez sur le bouton de commande du brûleur le plus proche de l'allumette et tournez-le sur 🔥 **HAUT**. Le brûleur doit s'allumer immédiatement.
8. Ajustez le bouton de commande du brûleur à la température de cuisson souhaitée.



Entretien et maintenance

Suivez les consignes ci-après pour garder le grill propre et maintenir son bel aspect. Avant tout nettoyage, assurez-vous que tous les brûleurs sont sur **• ARRÊT** et que le grill est frais au toucher.

Nettoyage de l'extérieur du grill


Pour les surfaces, lavez l'extérieur de la surface avec un chiffon doux et une solution d'eau et de savon, puis rincez à l'eau.

- Pour nettoyer, frottez ou essuyez toujours dans le sens du grain de l'inox.
- Pour les taches tenaces, nettoyez toujours dans le sens du grain de l'inox.
- **NE NETTOYEZ PAS** l'inox avec des produits contenant de l'acide, des essences minérales ou du xylène.
- **N'UTILISEZ PAS** de brosse métallique ni de nettoyant abrasif sur la surface inox sous peine de la rayer.

Nettoyage de l'intérieur du grill

Pour plus de sécurité et d'efficacité, il est important d'enlever les débris ou l'excédent de graisse susceptible de s'accumuler à l'intérieur du grill.

- Essuyez le revêtement intérieur du couvercle avec un essuie-tout pour éviter l'accumulation de graisse.
- Lavez l'intérieur du couvercle avec de l'eau savonneuse chaude et rincez à l'eau.
- Lavez l'intérieur de la chambre de cuisson avec de l'eau savonneuse chaude et rincez à l'eau.
- La carbonisation est une manière de nettoyer les grilles inox. Après la cuisson, tournez les brûleurs sur HAUT et faites chauffer une quinzaine de minutes avec le couvercle fermé. Ensuite, éteignez les brûleurs, ouvrez le couvercle avec précaution et utilisez une brosse métallique pour nettoyer le gros des résidus des grilles.
- Pour les tentes à flammes en inox, nettoyez les résidus avec la brosse métallique et lavez à l'eau savonneuse douce. Rincez à l'eau.
- Enlevez la boîte à graisse du plateau et essuyez la boîte interne avec un essuie-tout pour enlever l'excès de graisse. Ensuite, lavez l'intérieur de la boîte avec de l'eau savonneuse chaude et rincez à l'eau. Pour un nettoyage plus facile, vous pouvez tapisser l'intérieur de la boîte de papier aluminium.
- Enlevez la lèchefrite du grill et essuyez le dessus avec un essuie-tout pour enlever l'excès de graisse. Ensuite, lavez le dessus à l'eau savonneuse chaude et rincez à l'eau.

 ATTENTION	NE PAS tapisser la lèchefrite de papier aluminium.
---	---

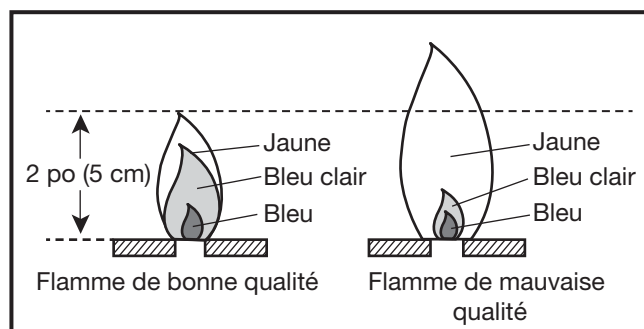
Inspection du flexible

L'état du flexible doit être périodiquement inspecté (fissures, entailles, coupures ou abrasion).

- Si le flexible présente des signes de détérioration quelconque, **N'UTILISEZ PAS** le grill.
- Le flexible doit être remplacé par un flexible certifié, comme illustré à la section des pièces détachées.

Contrôle de la flamme

La flamme qui sort des brûleurs doit être un mélange bleu/jaune et mesurer de 2,5 à 5 cm de hauteur (voir ci-dessous).



Pour enlever un brûleur

Assurez-vous que tous les boutons de commande sont en position **• ARRÊT**, que le robinet d'arrivée de gaz PL est fermé et que le flexible est déconnecté de l'arrivée de gaz.

1. Ouvrez le couvercle et enlevez la grille de réchaud, les grilles de cuisson et les tentes à flammes.
2. À l'aide d'un tournevis cruciforme 2 pt., desserrez le boulon en tenant le brûleur à l'arrière du grill.
Remarque : Comme c'est une combinaison boulon/écrou, veillez à tenir l'écrou en enlevant le boulon.
3. Glissez le brûleur vers l'avant et sortez-le du foyer.
4. Détachez le fil d'allumage de l'allumeur.

Pour nettoyer le brûleur

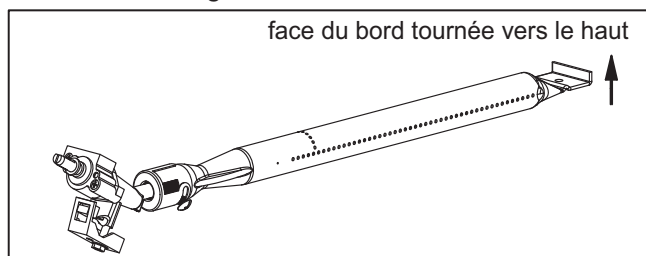
- Assurez-vous qu'aucun orifice de brûleur n'est bouché. **Astuce :** Utilisez une épingle ou un trombone pour déboucher.
- Assurez-vous que le brûleur est intact. Si ce n'est pas le cas, remplacez-le.
- Assurez-vous que l'extrémité du brûleur et le filtre à air primaire sont dénués de nids d'insectes, saletés ou débris.



Entretien et maintenance

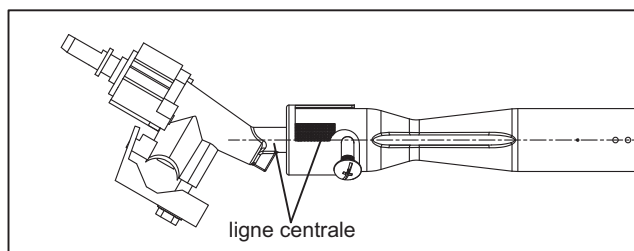
Pour réinstaller le brûleur

1. Assurez-vous que les orifices du robinet de gaz sont correctement positionnés à l'intérieur de l'arrivée du brûleur.
2. Rattachez l'ensemble boulon/écrou.
3. Repositionnez les tentes à flammes, grilles de cuisson et grille de réchaud.



Remplacement de la pile AA

Pour changer la pile AA, veillez à utiliser seulement des piles AA standard, en veillant à orienter correctement les pôles. Enlevez le capuchon du bouton d'allumage et insérez la pile AA de manière à ce que le pôle positif (+) de la pile soit tourné vers l'extérieur du compartiment.



Méthodes de cuisson et conseils pour les grillades

Chaleur directe

La cuisson à la chaleur directe signifie que les aliments sont placés sur les grilles du gril directement sur les brûleurs allumés.

- Le couvercle peut être en position ouverte ou fermée.
- Si le couvercle est ouvert, le temps de cuisson sera généralement plus long.
- La chaleur directe est utilisée pour saisir les aliments pour piéger les sucs naturels en cuisant à chaleur intense pendant un temps très court. L'extérieur des aliments est doré, grillé et goûteux.

Chaleur indirecte

Lors d'une cuisson à la chaleur indirecte, les aliments sont placés sur la grille du gril au-dessus d'un brûleur non allumé, ce qui permet à la chaleur du ou des brûleurs allumés de part et d'autre de cuire les aliments.

- Pour les meilleurs résultats, allumez deux brûleurs et faites cuire avec le couvercle fermé. Ceci permettra de réduire le temps de cuisson.
- **NE SÉLECTIONNEZ PAS** la cuisson à la chaleur indirecte lorsqu'il y a du vent.


Avant de faire griller

- Assurez-vous que les aliments sont complètement dégelés avant de les faire griller.
- Avec le couvercle fermé, faites chauffer le gril sur HIGH (en utilisant tous les brûleurs) pendant 10 – 15 minutes jusqu'à ce que la température atteigne plus de 260 °C. Ce temps est fonction des conditions ambiantes telles que le vent et la température de l'air.
- **NE SOULEVEZ PAS** le couvercle durant le préchauffage.
- Un préchauffage sur HIGH est nécessaire pour faire dorer et piéger les sucs et jus des aliments.
- Pour les viandes et les volailles grasses, coupez le gras en excès et réduisez le temps de préchauffage. En prenant ces deux précautions, vous réduirez le risque de flammèches.
- Huilez légèrement les grilles de cuisson lorsque vous faites griller de la viande, du poisson ou de la volaille maigre. Sachez que trop d'huile peut causer un dépôt de cendres grises sur les aliments.

Durant la grillade

- Le thermomètre sur le couvercle indique la température de cuisson dans le gril.
- Tournez les aliments une fois seulement si possible. Si vous tournez la viande plusieurs fois, vous perdrez les sucs.
- Tournez la viande juste au moment où les sucs commencent à apparaître à la surface.
- Évitez de percer ou de couper la viande pour vérifier sa cuisson sous peine de laisser s'échapper les sucs.
- Ajoutez de la sauce barbecue seulement au cours des 10 dernières minutes de cuisson pour éviter de la brûler.
- La cuisson de la viande sera fonction du type de viande, de même que de la taille, de la forme et de l'épaisseur de la pièce, du réglage de température ou de la méthode de cuisson, et de la durée sur le gril.
- Le temps de cuisson sera plus long avec un couvercle de gril ouvert.
- Prévoyez un temps de cuisson plus long les jours où il fait froid et où il y a du vent, ou à haute altitude. Inversement, réduisez le temps de cuisson par temps extrêmement chaud.
- Les conditions de cuisson pourront exiger l'ajustement des brûleurs pour obtenir et maintenir les températures de cuisson correctes.
- La présence de beaucoup d'aliments sur la grille de cuisson se soldera par un temps de cuisson plus long.
- Utilisez une pince pour tourner et manipuler la viande au lieu d'une fourchette pour éviter de perdre les sucs.
- En cas de flammèches, éteignez tous les brûleurs (● **ARRÊT**) et déplacez les aliments à un autre endroit de la grille de cuisson. Une fois les flammes estompées, rallumez les brûleurs en suivant les instructions d'allumage du manuel.
- **N'UTILISEZ JAMAIS** d'eau pour éteindre la flamme d'un gril au gaz.

Dépannage

Problème	Cause	Solution
Le gril ne s'allume pas.	<ol style="list-style-type: none"> 1. Le robinet de la bouteille de gaz PL est fermé. 2. Le niveau de gaz dans la bouteille de gaz PL est bas. 3. La pile de l'allumeur est mal installée ou elle doit être remplacée. 4. Un allumage à l'allumette est peut-être nécessaire. 5. Les branchements de l'allumeur ou des électrodes sont mal établis. 6. Les électrodes sont peut-être mouillées. 7. Des débris bouchent les électrodes. 8. Aucune étincelle n'apparaît à l'extrémité de l'allumeur. 	<ol style="list-style-type: none"> 1. OUVREZ le robinet de la bouteille de gaz PL. 2. Remplacez la bouteille de gaz PL. 3. Installez correctement ou remplacez la pile de l'allumeur. 4. Allumez le gril à l'allumette en suivant les instructions du manuel. 5. Rebranchez ou remplacez les câbles de l'allumeur et des électrodes. 6. Essuyez les électrodes avec un chiffon sec. 7. Nettoyez les électrodes à l'alcool à friction et réessayez. 8. Remplacez l'allumeur.
La flamme ne reste pas allumée.	<ol style="list-style-type: none"> 1. Le robinet de la bouteille de gaz PL est fermé. 2. Le niveau de gaz dans la bouteille de gaz PL est bas. 3. Le brûleur est mal installé ou il est sale. 	<ol style="list-style-type: none"> 1. OUVREZ le robinet de la bouteille de gaz PL. 2. Remplacez la bouteille de gaz PL. 3. Réinstallez correctement le brûleur et nettoyez les débris.
La flamme est petite, irrégulière ou bruyante.	<ol style="list-style-type: none"> 1. Le niveau de gaz dans la bouteille de gaz PL est bas. 2. Les orifices de brûleur sont peut-être bouchés. 3. Le flexible d'arrivée de gaz est peut-être courbé ou tordu. 4. Le brûleur a peut-être un apport d'air trop important. 5. Le gril est peut-être dans une zone où il y a trop de vent. 6. Présence d'obstructions telles que graisse, débris ou insectes dans les arrivées d'air. 7. Le registre d'air doit être réglé. 	<ol style="list-style-type: none"> 1. Remplacez la bouteille de gaz PL. 2. Si un seul brûleur est affecté, vérifiez et nettoyez ses orifices. 3. Redressez le flexible d'arrivée de gaz. 4. Si la flamme du brûleur est pour l'essentiel jaune ou orange, ajustez le registre d'air. 5. Attendez que le vent se calme pour continuer. 6. Nettoyez les arrivées d'air des brûleurs. 7. Ajustez le registre d'air.
Flammèches excessives <div style="border: 1px solid black; padding: 5px; margin-top: 10px;">  <p style="text-align: center;">ATTENTION</p> <p style="text-align: center;">NE PAS pulvériser d'eau sur les flammes sous peine d'endommager le gril.</p> </div>	<ol style="list-style-type: none"> 1. Les flammèches sont normalement causées par un excès de graisse dans la viande grillée. 2. Le gril est sale. 3. La température de cuisson est peut-être trop élevée. 4. Le couvercle est fermé. 5. Les aliments sont trop cuits ou brûlés. 6. La lèchefrite et la boîte à graisse sont pleines de graisse. 	<ol style="list-style-type: none"> 1. Dégraissez la viande. 2. Assurez-vous que le gril est propre. 3. Maintenez une petite flamme ou éteignez un brûleur. 4. Gardez le couvercle relevé en faisant griller pour éviter les flammèches excessives. 5. Déplacez les aliments sur la grille de réchaud jusqu'à ce que les flammes s'estompent. 6. Nettoyez la lèchefrite ou la boîte à graisse.



Pièces détachées

Des questions, des problèmes ou des pièces manquantes? Avant de retourner chez votre revendeur, appelez notre service à la clientèle au 1-800-321-3473, de 8 h à 17 h (heure de la côte Est), du lundi au vendredi.

Légende	Description	Réf. pièce	Légende	Description	Réf. pièce
A	Panneau du fond	FA0051	R	Grille de cuisson	FA0094
B	Roulette libre	FA0053	S	Grille de chauffage	FA0100
C	Roulette bloquante	FA0054	T	Lèche-frite	FA0018
D	Boulon du plateau de la bouteille	FA0004	U	Boîte à graisse	FA0104
E	Panneau latéral gauche du chariot	FA0058	W	Aimant de la porte inférieure	FA0020
F	Panneau latéral droit du chariot pour SB	FA0057	X	Outil d'allumage	FA0027
G	Panneau arrière du chariot	FA0060	Z	Base du bouton de commande	FA0035
H	Armature du chariot	FA0063		Bouton de commande	FA0030
I	Ligne d'allumage	FA0140		Thermomètre	FA0022
J	Corps du gril avec robinet SB	FA0075		Bouton de l'allumeur électronique	FA0023
K	Porte	FA0078		Couvercle	FA0039
L	Goupille inférieure de la porte	FA0011		Poignée du couvercle	FA0117
M	Bouton de commande	FA0021		Goupilles de retenue du couvercle avec goupille fendue	FA0119
N	Étagère gauche – fixe	FA0086		Poignée de porte	FA00118
N-S	Support d'étagère gauche	FA0138		Détendeur/flexible/raccord de PL	FA0029
O	Grille du brûleur latéral	FA0088		Brûleurs tubulaires inox	FA0107
O-S	Grille de brûleur latéral	FA0089		Allumeurs	FA0031
P	Étagère droite avec brûleur latéral	FA0087			
P-S	Support d'étagère droite	FA0086			
Q	Tente à flammes	FA0091			



Consignes pour faire griller

Type	Description	Méthode de cuisson	Réglage des brûleurs	Épaisseur	Temps total	Instructions
BŒUF						
Biftecks	Coquille d'ailoyau, faux-filet, gros filet, aloyau, surlonge, filet-mignon	Directe	Haut	1 po / 2,5 cm	10 – 15 min	Tourner la viande une fois seulement, à mi-cuisson
	Coquille d'ailoyau, faux-filet, gros filet, aloyau, surlonge, filet-mignon	Directe	Haut	2 po / 5 cm	18 – 22 min	Tourner la viande une fois seulement, à mi-cuisson
	Bavette de flanchet (par lb / kg)	Directe	Moyen	0,75 po / 1,9 cm	11 – 20 min	Temps de cuisson fonction du poids de la viande
Hamburgers	Steak haché	Directe	Moyen	0,75 po / 1,9 cm	10 – 15 min	Tourner la viande une fois seulement, à mi-cuisson
Rôtis	Faux-filet, surlonge	Indirecte	Moyen		30 – 40 min	Temps indiqué sur l'étiquette avec le poids de viande (30 – 40 minutes par lb / kg)
PORC						
Côtelettes		Directe	Haut	0,75 po / 1,9 cm	10 – 15 min	
		Directe	Haut	1,5 po / 3,8 cm	25 – 35 min	
Plat de côtes	Plats de côtes de 2 – 5 lb / 0,9 – 2,2 kg	Indirecte	Moyen		50 – 70 min	Tourner occasionnellement. Ajouter la sauce 10 minutes avant la fin de la cuisson.
Rôti	Mignon de porc (par lb / kg)	Directe	Moyen		15 – 20 min	Tourner pour faire dorer de tous les côtés
POULET						
Blanc de poulet	Sans l'os, sans peau	Directe	Moyen	6 – 8 oz / 170,1 – 226,8 g	10 – 15 min	
Cuisses	Sans l'os, sans peau	Directe	Moyen	4 – 6 oz / 113,4 – 170,1 g	8 – 13 min	
Entière		Indirecte	Moyen	4 – 6 lb / 1,81 – 2,71 kg	60 – 80 min	
DINDE						
Entière	Non farcie	Indirecte	Moyen	10 – 12 lb / 4,5 – 5,4 kg	2 – 2,5 heures	
Blanc de poulet	Sur l'os	Indirecte	Haut		14 – 18 min	



Consignes pour faire griller

Type	Description	Méthode de cuisson	Réglage des brûleurs	Épaisseur	Temps total	Instructions
POISSON						
Filet ou darne	Espadon, thon, saumon, flétan, etc.	Directe	Moyen		4 – 6 min	Pour 0,5 po / 1,3 cm d'épaisseur. Faites griller, en tournant une seule fois.
Entière	Poisson-chat, truite, etc. (12 oz / 340 g)	Indirecte	Moyen		10 – 12 min	Par côté
Crevette	18 – 20 oz / 510 – 566 g	Directe	Haut		3 – 6 min	
LÉGUMES						
Maïs sur l'épi	Dans son enveloppe	Directe	Moyen		20 – 30 min	
	Sans son enveloppe	Directe	Moyen		12 – 15 min	
Pommes de terre	En robe des champs, entière	Directe	Haut		45 – 90 min	Individuellement enveloppées dans du papier aluminium. Tourner occasionnellement
	Douces, entières	Directe	Moyen		40 – 70 min	Individuellement enveloppées dans du papier aluminium. Tourner occasionnellement
Poivrons	Rôtis	Directe	Haut		15 – 20 min	
Oignon	Émincé	Directe	Moyen		8 – 12 min	Faites griller, en tournant une seule fois.
Courge	D'été, courgette	Directe	Moyen		7 – 10 min	
Asperges	0,5 po / 1,2 cm de diamètre	Directe	Moyen		6 – 8 min	

Made in China / Fabriqué en Chine / Hecho en China



Garantie

Ce gril au gaz propane liquide est garanti contre tout défaut de matériau et de fabrication à condition d'être correctement assemblé, utilisé dans un cadre domestique normal et entretenu comme indiqué dans ces instructions pendant un (1) an à partir de la date d'achat initial en magasin.

La seule exception à ceci concerne les brûleurs tubulaires en inox qui sont assortis d'une garantie de trois (3) ans à partir de la date d'achat initiale en magasin. La corrosion, les rayures et la décoloration dues à l'utilisation et à l'entretien impropres de ce gril sont exclues de cette garantie.

Cette garantie ne couvre pas les dommages ou problèmes liés à un acte de négligence, une utilisation abusive ou inadaptée, un accident, une mauvaise application, un assemblage incorrect, des dommages subis en cours de transport, une utilisation commerciale ou TOUTE modification apportée à ce produit. La main-d'œuvre n'est pas couverte pour les réparations. Cette garantie est la seule garantie offerte et elle remplace toutes les autres garanties, expresses ou tacites, notamment garantie tacite, garantie de qualité commerciale et garantie d'utilisation dans un but particulier.

Toutes les pièces détachées conformes aux exigences de garantie seront gratuitement expédiées, au choix du fabricant (voie terrestre, US Mail, UPS ou FedEx). Tous les frais spéciaux de manutention (à savoir, livraison sous deux jours, le lendemain, etc.) relèveront de la responsabilité du consommateur.

Toutes les réclamations sous garantie s'appliquent seulement à l'acheteur initial et exigent une preuve d'achat confirmant la date d'achat. Ne renvoyez pas de pièces sans obtenir au préalable un numéro d'autorisation de retour de notre service clientèle.

Notre service à la clientèle est joignable au 1-800-321-3473, de 8 h à 17 h (heure de la côte Est) anglais seulement, ou par courriel à CustomerService@landmann-usa.com

Aux États-Unis, certains États ne permettant pas l'exclusion ou la limitation des dommages accessoires ou indirects ni la limitation de la durée d'une garantie tacite, il est possible que les limitations ou exclusions ci-dessus ne vous concernent pas. La présente garantie vous confère des droits spécifiques, et vous pouvez bénéficier d'autres droits qui varient d'une juridiction à l'autre.



7405 Graham Road
Fairburn, Georgia 30213

www.landmann-usa.com

