

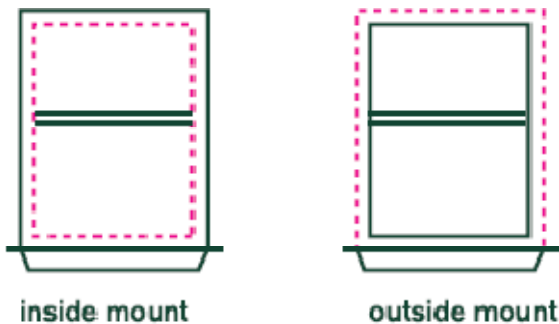
# Measuring for Faux Wood Blinds in 4 easy Steps

**Directions:** Please follow the 4 steps below and record your answers in the worksheet on the last page. After you have completed the worksheet, you may place your order for faux wood blinds at [www.HomeDepot.com/blinds](http://www.HomeDepot.com/blinds). If you want a more customized product, please visit [www.blinds.homedepot.com](http://www.blinds.homedepot.com).

## Step 1: Select Inside or Outside Mount

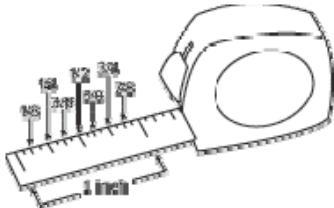
**Inside mount** window treatments sit inside your window frame. A window treatment installed using inside mount means the entire window treatment, including the headrail, sits inside the window casing.

**Outside mount** window treatments are installed a few inches on either side of your window opening, and will cover the entire window frame.

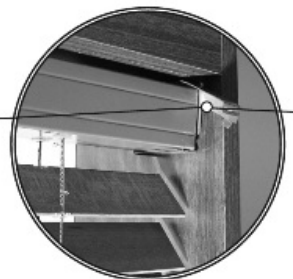
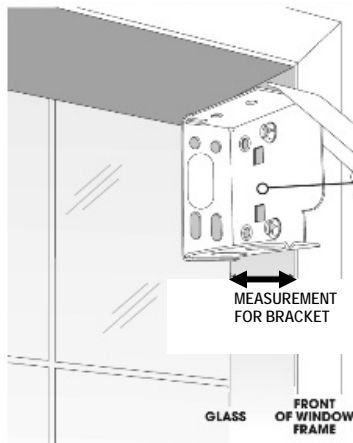


## Step 2: Measure Window Casing

Some window casings are simple, others have intricate, decorative moulding. Locate the largest flat surface area within your window casing to install the mounting hardware (bracket). Record this measurement to the nearest 1/8".



If the measurement is **smaller** than 1", you must select Outside Mount.

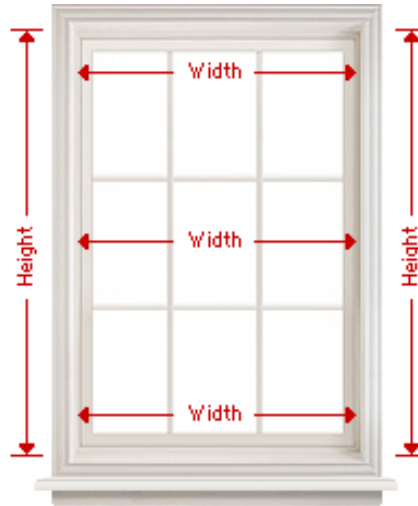


MOUNTING  
BOX BRACKET

The "window casing" includes the window opening and the outermost-edge of the window frame. If your window does not have a window frame, measure only the window opening.

## Measuring for *Inside Mount Faux Wood Blinds*

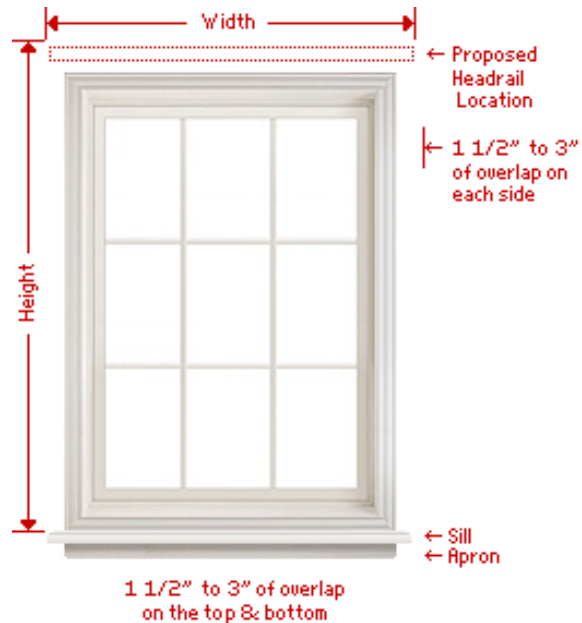
**Step 3: To find width:** Measure the exact distance between the inside surfaces of the window frame at the top, middle, and bottom. Write down the narrowest measurement (round down to an even 1/2"). Do not make any width deductions.



**Step 4: To find height:** Measure the distance from the inside surface at the top of the window to the sill at the left, middle and right. Use the longest height. If you prefer the blind not to touch the sill, deduct 1/4". If there is no sill, measure height to the point where the blind is to reach. Write down 64" if this distance is 64" or less, otherwise write down 72".

## Measuring for *Outside Mount Faux Wood Blinds*

**Step 3: To find width:** Measure the exact distance to the outermost points where the blind is to be placed. For optimum light control, this measurement should extend 3/4" beyond the window opening on each side (or 1 1/2" for the entire width).



**Step 4: To find height:** Measure the distance from where the top of the blind will be located to the top of the sill. If there is no sill or if blind is to overlap window frame, measure to point blind is to reach. Write down 64" if this distance is 64" or less, otherwise write down 72".

### IMPORTANT NOTES ABOUT MEASURING:

- *Always use a steel tape measure*
- *Measure Width in three places & use smallest Width*
- *Measure Height in three places and use tallest Height*
- *Width always comes first, then Height*



More saving.  
More doing.<sup>SM</sup>

## Faux Wood Blinds Ordering Worksheet

Product Name: _____ Name of Room: _____ Quantity: _____  Casing Depth: _____ (nearest 1/8") Width: _____ (nearest 1/2") Height: _____ (nearest 1" – then select 64" or 72")  Mount: _____ (inside / outside mount)	Product Name: _____ Name of Room: _____ Quantity: _____ Casing Depth: _____ (nearest 1/8") Width: _____ (nearest 1/2") Height: _____ (nearest 1" – then select 64" or 72")  Mount: _____ (inside / outside mount)
Product Name: _____ Name of Room: _____ Quantity: _____  Casing Depth: _____ (nearest 1/8") Width: _____ (nearest 1/2") Height: _____ (nearest 1" – then select 64" or 72")  Mount: _____ (inside / outside mount)	Product Name: _____ Name of Room: _____ Quantity: _____ Casing Depth: _____ (nearest 1/8") Width: _____ (nearest 1/2") Height: _____ (nearest 1" – then select 64" or 72")  Mount: _____ (inside / outside mount)
Product Name: _____ Name of Room: _____ Quantity: _____  Casing Depth: _____ (nearest 1/8") Width: _____ (nearest 1/2") Height: _____ (nearest 1" – then select 64" or 72")  Mount: _____ (inside / outside mount)	Product Name: _____ Name of Room: _____ Quantity: _____ Casing Depth: _____ (nearest 1/8") Width: _____ (nearest 1/2") Height: _____ (nearest 1" – then select 64" or 72")  Mount: _____ (inside / outside mount)
Product Name: _____ Name of Room: _____ Quantity: _____  Casing Depth: _____ (nearest 1/8") Width: _____ (nearest 1/2") Height: _____ (nearest 1" – then select 64" or 72")  Mount: _____ (inside / outside mount)	Product Name: _____ Name of Room: _____ Quantity: _____ Casing Depth: _____ (nearest 1/8") Width: _____ (nearest 1/2") Height: _____ (nearest 1" – then select 64" or 72")  Mount: _____ (inside / outside mount)

Now you are ready to place your order! Just visit [www.HomeDepot.com/blinds](http://www.HomeDepot.com/blinds)