

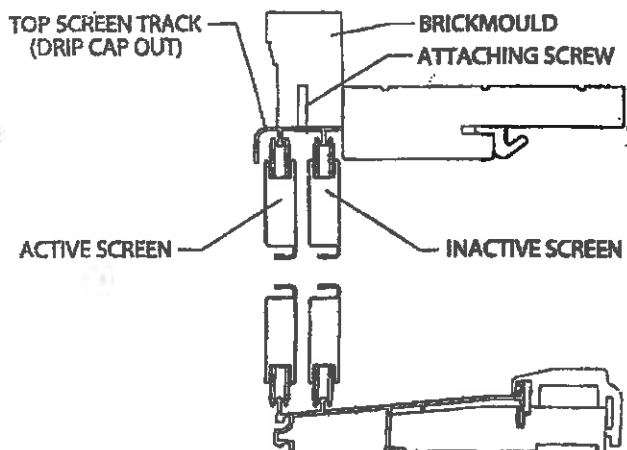
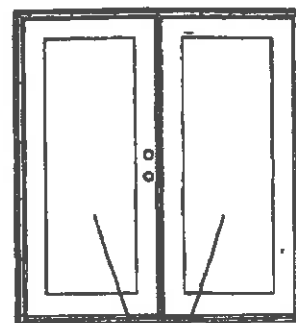


Masonite French Patio Screen Kit

This screen kit consists of two door screens and a top screen track. The screen without handle is mounted on the inner track. It is smaller, non-operable and must be installed in front of the inactive door panel. The inactive door panel is the door that does not have the bores for the handle and deadbolt.

Installation Instructions

The patio door unit must be installed plumb, level and square to allow the screen kit to achieve smooth operation. Please refer to the patio door installation instructions to ensure that the unit is installed correctly. The sill track must be clean.

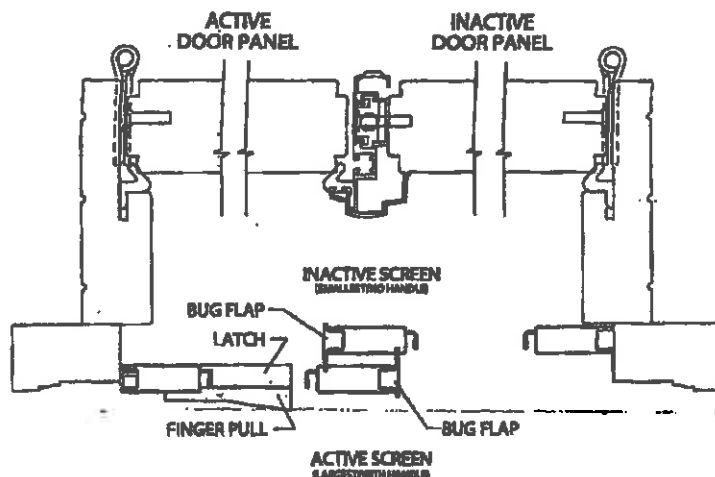


1. Install the top screen track with the drip cap towards the outside on the bottom edge of the brickmould. There is a "stopper" on the inner track that prevents the smaller, inoperable screen from operating.

2. Install the inoperable smaller screen onto the inner track by fitting the top wheels into the top track with the bug flap to the exterior. Push the screen up and align so that the bottom wheels drop onto the bottom track rail. Align the screen with the door jamb and use the adjusting screws to snug the screen in place. This screen is not movable. The vinyl bug seals may need to be trimmed slightly to achieve proper fit. (over)

3. Position the second, larger screen with the handle at the door jamb, bug flap extending to the interior, and the operating latch to the inside onto the outer top track rail by fitting the top wheels into the outer top track. Swing the bottom of the screen panel over the door sill placing the groove in the roller wheel over the outer bottom track rail.

Use the adjustment screws in the screen panel to level and align the screen panel with the door jamb for smooth operation. Turning the adjustment screws clockwise increases the height.



4. Install the jamb strike after closing the screen panel to note the proper location of the strike flange. Note the strike flange can be positioned either up or down. Install one screw and test for fit; adjust, install second screw and tighten.

Sill track can be lubricated with furniture polish. Never use petroleum-based products.

TOOLS REQUIRED

- #1 Phillips head screwdriver