

# RT18M6213SR

SAMSUNG

## Samsung Top-Freezer Refrigerator

18 cu. ft. Capacity



### Signature Features

#### FlexZone™

- Versatile fridge compartment that converts freezer to fridge.

#### Twin Cooling Plus®

- Maintains both high levels of refrigerator humidity to keep perishable fruits and vegetables fresher longer, and dry freezer conditions means less freezer burn for better-tasting frozen foods.

#### Slide & Reach Pantry

- Easily access all your favorite foods.

### Available Colors



Stainless Steel



Black Stainless Steel (shown)



White



FlexZone™



Slide & Reach Pantry

### Features

- Large Capacity – 18 cu. ft.
- ENERGY STAR® Compliant
- Twin Cooling Plus® (FlexZone™)
- True No-Frost Technology
- LED Top Lighting
- Fresh Room
- Vegetable Bins
- Dairy Bin

### Convenience

- Reversible Door
- Recessed Door Handle
- Sabbath Mode

### Rating



ENERGY STAR®-rated:  
364 kWh/yr  
(without ice maker)

# RT18M6213SR

# SAMSUNG

## Samsung Top-Freezer Refrigerator

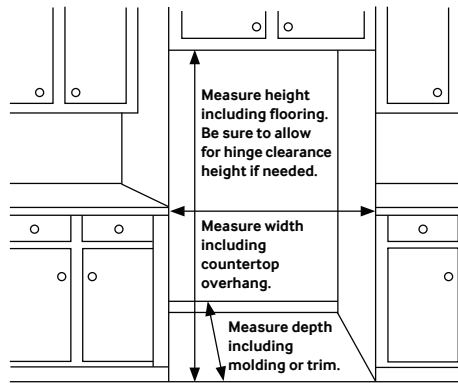
18 cu. ft. Capacity

### Installation Specifications

1. Measure the height, width and depth of the opening, making sure to include baseboards, molding tile, countertop overhang, etc. Check to be sure there is enough room to open the door (consider walls, islands or other obstacles when measuring).
2. Refer to illustration below to determine dimensions.
3. Allow 2.5" of clearance on hinge side of refrigerator when installing next to a wall where handle may make contact.
4. Allow 1" minimum clearance at rear for proper air circulation and water/electrical connections. Allow a 3/8" minimum clearance at sides and top for ease of installation.
5. Ensure each door and entryway in the home is wide enough for the refrigerator to be moved through easily.

For optimal usage and to be able to open refrigerator doors completely, do not install next to a wall.

Please note: The following dimension and cutout information is for planning purposes only. For complete installation details, consult manual packed with product, or download manual online at [samsung.com](http://samsung.com).



**Total Capacity: 17.6 cu. ft.**

**Refrigerator: 12.7 cu. ft.**

- Fresh Room
- Dairy Bin
- 2 Vegetable Bins
- LED Top Lighting

**Fridge in Freezer: 4.9 cu. ft.**

- 1 Glass Shelf

Optional Ice Maker Available: RA-TIMO63PP/AA Samsung Quick-Connect Auto Ice Maker produces 3.75 lbs. of ice per day.

### Warranty

One (1) Year Parts and Labor on Refrigerator  
Five (5) Years Parts and Labor on Sealed Refrigeration System Only\*  
Ten (10) Years Parts and Five (5) Years Labor on Digital Inverter Compressor

\*Compressor, evaporator, condenser, drier and connecting tubing.

### Product Dimensions & Weight

Dimensions (WxHxD with hinges, handles and doors):  
28<sup>3</sup>/<sub>4</sub>" x 66<sup>3</sup>/<sub>4</sub>" x 31<sup>7</sup>/<sub>8</sub>"

Dimensions (WxHxD without hinges and door):  
28<sup>3</sup>/<sub>4</sub>" x 65<sup>11</sup>/<sub>16</sub>" x 28<sup>1</sup>/<sub>2</sub>"

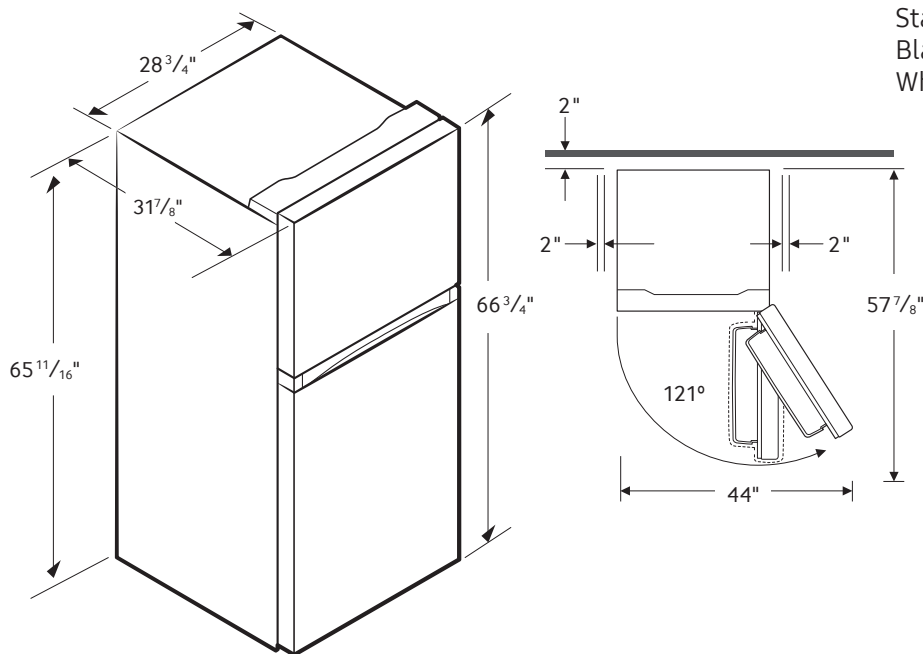
Weight: 178.5 lbs.

### Shipping Dimensions & Weight (WxHxD)

Dimensions: 30<sup>1</sup>/<sub>8</sub>" x 70<sup>5</sup>/<sub>8</sub>" x 33<sup>1</sup>/<sub>2</sub>"

Weight: 194 lbs.

### Dimensions



### Color

Stainless Steel  
Black Stainless Steel  
White

### Model #

RT18M6213SR  
RT18M6213SG  
RT18M6213WW

### UPC Code

887276213828  
887276213811  
887276213835

Actual color may vary. Design, specifications, and color availability are subject to change without notice. Non-metric weights and measurements are approximate.

©2017 Samsung Electronics America, Inc. 85 Challenger Road, Ridgefield Park, NJ 07660. Tel: 800-SAMSUNG. [samsung.com](http://samsung.com). Samsung is a registered trademark of Samsung Electronics Co., Ltd.