

# Big Ben Vinyl Fence

# WamBam

The only fence that's fun to install.

**REALLY**

^ Important stuff to know about  
installing your WamBam fence.

**1-877-778-5733**

[www.wambamfence.com](http://www.wambamfence.com)



**CLEVER JOE**  
*Your Installation Buddy*

Ver 2, April 2011

# Big Ben Vinyl Fence



**WamBam**  
The only fence that's fun to install.

## TABLE OF CONTENTS

	Page
<b>Introduction</b>	
Welcome to the World of WamBam.....	<b>1</b>
Reality Check.....	<b>2</b>
Just a Couple More Things.....	<b>3</b>
Before You Begin Checklist.....	<b>4</b>
Tools You'll Need.....	<b>5</b>
Product Overview.....	<b>6</b>
Box Contents.....	<b>7</b>
The Secret Weapons of WamBam.....	<b>8</b>
Quickie Overview.....	<b>9</b>
Customize Your Fence Design.....	<b>11</b>
Murphy's Vinyl Fence Laws.....	<b>12</b>
<b>12 Steps on How to Install Your Fence</b>	
Step 1 - <i>How to Locate &amp; Pound Your First Anchor Into Place</i> .....	<b>13</b>
Step 2 - <i>How to Lay Out Your First String Line</i> .....	<b>14</b>
Step 3 - <i>How to Use Your Rail as a Spacing Guide</i> .....	<b>15</b>
Step 4 - <i>Continue Pounding Anchors</i> .....	<b>16</b>
Step 5 - <i>Remove Soil and Secure Anchor Positioner</i> .....	<b>17</b>
Step 6 - <i>Level Your String Line</i> .....	<b>18</b>
Step 7 - <i>Leveling and Securing WamBam Donuts</i> .....	<b>19</b>
Step 8 - <i>Place Vinyl Posts Over WamBam Anchors</i> .....	<b>20</b>
Step 9 - <i>Install Your Fence Posts, Bottom Rails, &amp; Channels</i> .....	<b>21</b>
Step 10 - <i>Install Your Fence Panels</i> .....	<b>22</b>
Step 11 - <i>Place Screws into the Posts and the Rails</i> .....	<b>23</b>
Step 12 - <i>Glue Caps on Posts</i> .....	<b>25</b>

# Welcome to the World of WamBam

**WamBam**  
The only fence that's fun to install.

## Meet Clever Joe

Howdy! They call me Clever Joe because for the past 12 years or so, I've worked on inventing, re-inventing and perfecting the world of digless fence. I've professionally installed countless fences the WamBam way and I love it because I know it works.

My job is to help you perform the task of installing an attractive, professional looking WamBam Fence. I wish I had a crystal ball to predict all the scenarios you might encounter, but just like snowflakes and fingerprints, your property is one-of-a-kind. That's why my teammates at WamBam are available to help you. Please feel free to call us - we'd love to help you out.

**JOE'S TIP**  
TO READ MORE  
ABOUT MY STORY,  
VISIT OUR WEBSITE.

## I Know You Hate Reading Instructions

I do too!

But please, make an exception for this project. I want you to have the best possible experience installing your WamBam Fence and reading the instructions will ensure this. Trust me, you'll be glad you did!

So next time you're headed to the john, loo, WC, or bathroom, swap out the newspaper for this guide and start reading, there's a lot of great information in here, and I've tried to make it interesting. And relax, it's mostly pictures.

Having said that, I want to stress that this is a guide. Unfortunately, because everyone's property is different, I can't provide a concrete step A, B and C. This guide will help you in almost all situations, though, and remember, we're just a phone call away! For obstacles and challenges you might encounter, see our "Murphy's Vinyl Fence Laws" guide on how to navigate potentially sticky situations.



# Reality Check

**WamBam**  
The only fence that's fun to install.

## Rome wasn't built in a day, and your fence probably won't be either

Time is your friend when installing your WamBam fence. So chill out. Relax. Do a yoga pose. Take plenty of breaks.

As we all know, time flies when you're having fun, so expect to spend more than just an afternoon on this project. If you expect to be able to WamBam your fence out in an hour, you're mistaken. Yeah, I know your dog and kids are running loose and your neighbor is driving you nuts, but if you take your time, your project will be more successful. Besides, you're going to be spending half the time you would have if you chosen to dig holes, mix cement, and go the old way... so be happy. Time is still on your side.



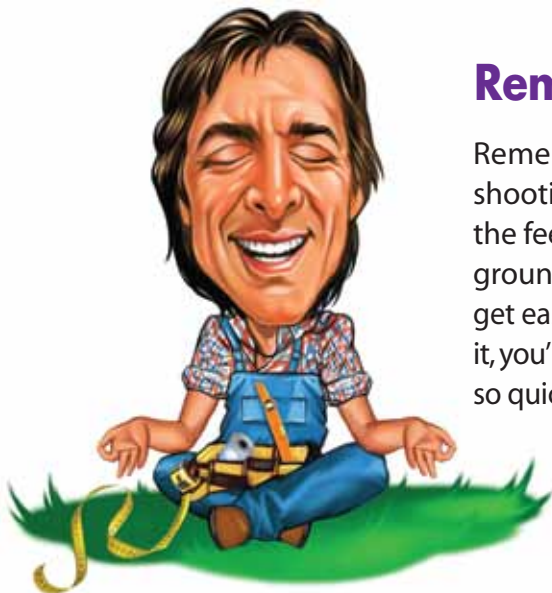
## Pay attention to slopes!

Even if your backyard (or front yard for that matter!) does not resemble a black diamond ski run, you have to think about the slope of your fence line. Is there any? There almost always is, and you need to pay special attention to this in the planning and purchasing stages of your fence. Otherwise the posts you order might be too short.

Please refer to our "Murphy's Vinyl Fence Laws" for more in-depth information.

## Remember, practice makes perfect

Remember swinging the baseball bat as a kid, or shooting hoops for the first time? It took a bit to get the feel of it. The first few pipes you install into the ground might be a bit challenging at first, but it will get easier as you get the hang of it. Before you know it, you'll be WamBam-ing your pipes into the ground so quickly your neighbors won't know what happened.

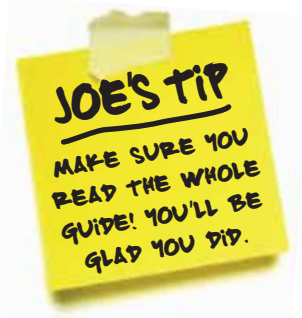


# Just a Couple More Things



## Other Stuff You Need to Know

- Draw a sketch layout of the proposed fence lines and logically look it over. If it doesn't make sense on paper, chances are it won't make sense in your yard.
- Our online calculator is designed to make it easier for you to determine what you need to purchase for your fence. If you haven't already used it, you should ensure that you have everything you need.
- If you're reading this, there's a good chance you have a house and subsequently neighbors. Ask one of the handier ones for some help as your project will go smoother and quicker with an extra set of helping hands.
- Make sure you have all the necessary materials, tools and equipment listed on page 5.
- It is crucial that you follow the checklist on page 4 before you begin building.



## And Finally...

Believe me, after the past 12 years or so of installing countless fences the WamBam way, the success of your installation is going to depend on three things:

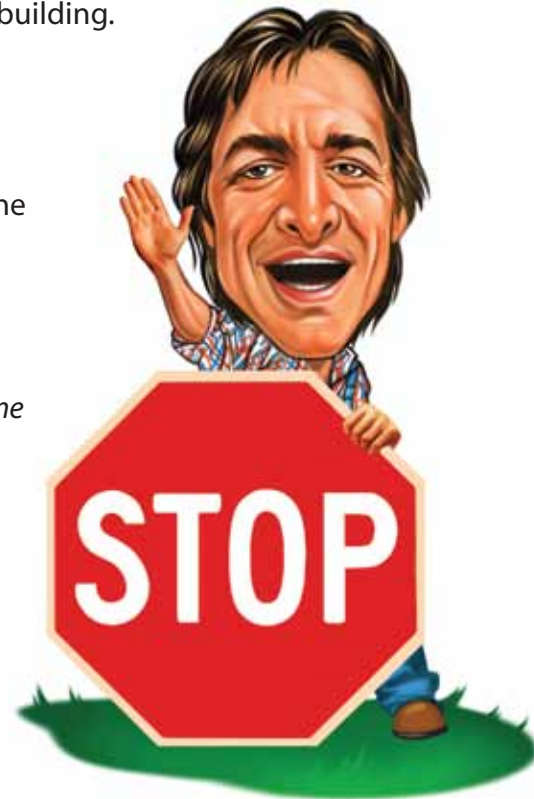
### 1. **Site conditions**

*(And your creativity to work around unforeseen obstacles as they come up, because they are gonna come up!)*

### 2. **Your personal skill level**

### 3. **Complexity of the project**

Remember, you are not alone. We love helping make our customer's lives easier and more fun! Call us. We would consider it an honor to help.





# Before You Begin



## Avoid These Pitfalls!



### 1. Have you contacted local utilities?

This unfortunately is not a laughing matter, but rather one of potentially deadly consequences. You must call before you start to install your fence to avoid puncturing any unseen underground utilities, especially electrical or gas lines. Fortunately, this is made easy for you. Simply call 811 in the US, or visit [www.call811.com](http://www.call811.com).

In Canada, visit [www.transcanada.com/contactus.html](http://www.transcanada.com/contactus.html) for a list of phone numbers by province.



**Know what's below.  
Call before you dig.**

### 2. Have you checked your local zoning laws?

Local zoning laws and Home Owners Associations may regulate the height, style and placement of your fence. Some locations may even require a permit.



### 3. Are you absolutely sure where your property line is?

Many disputes have arisen from questions about whose side the fence is on.

### 4. Have you talked to your neighbors?

Your fence will become part of their yard, and you'll have an easier time building it if you can have access from both sides. Besides, you may get lucky if they decide to share the cost with you.



# Tools & Materials You'll Need

**WamBam**  
The only fence that's fun to install.

- Safety Glasses
- Line Level
- 4ft. Level, 1ft. Torpedo Level  
*(optional String Line Level)*
- WamBam Anchor or Pipe Pounder  
*(or rent a similar product from Home Depot or Lowes)*
- 2in. x 2in. x 6in. Inch Wood "Spacer" Blocks  
*(2 for each panel)*
- 5/16in. Hex Shank Driver for Cordless Drill  
*(for hex head screws)*
- Cordless Drill
- Shovel *(optional)*
- Power Circular Saw *(or Hand Saw)*
- String Line Stakes
- Tape Measure
- Spool of String
- Earplugs



## OPTIONAL

*Recommended for projects that require the installation of 30 or more anchors, or if you have incredibly dry or hard soil.*

- Air Driven Pipe Pounder
- Small Air Compressor *(must deliver at least 2.5 cu.ft. of air at 70-80 PSI)*

Feel free to contact us, your local rental company, or visit <http://www.rhinotool.com/> or <http://www.rohrermfg.com/> for more information on these wonderful time saving tools.

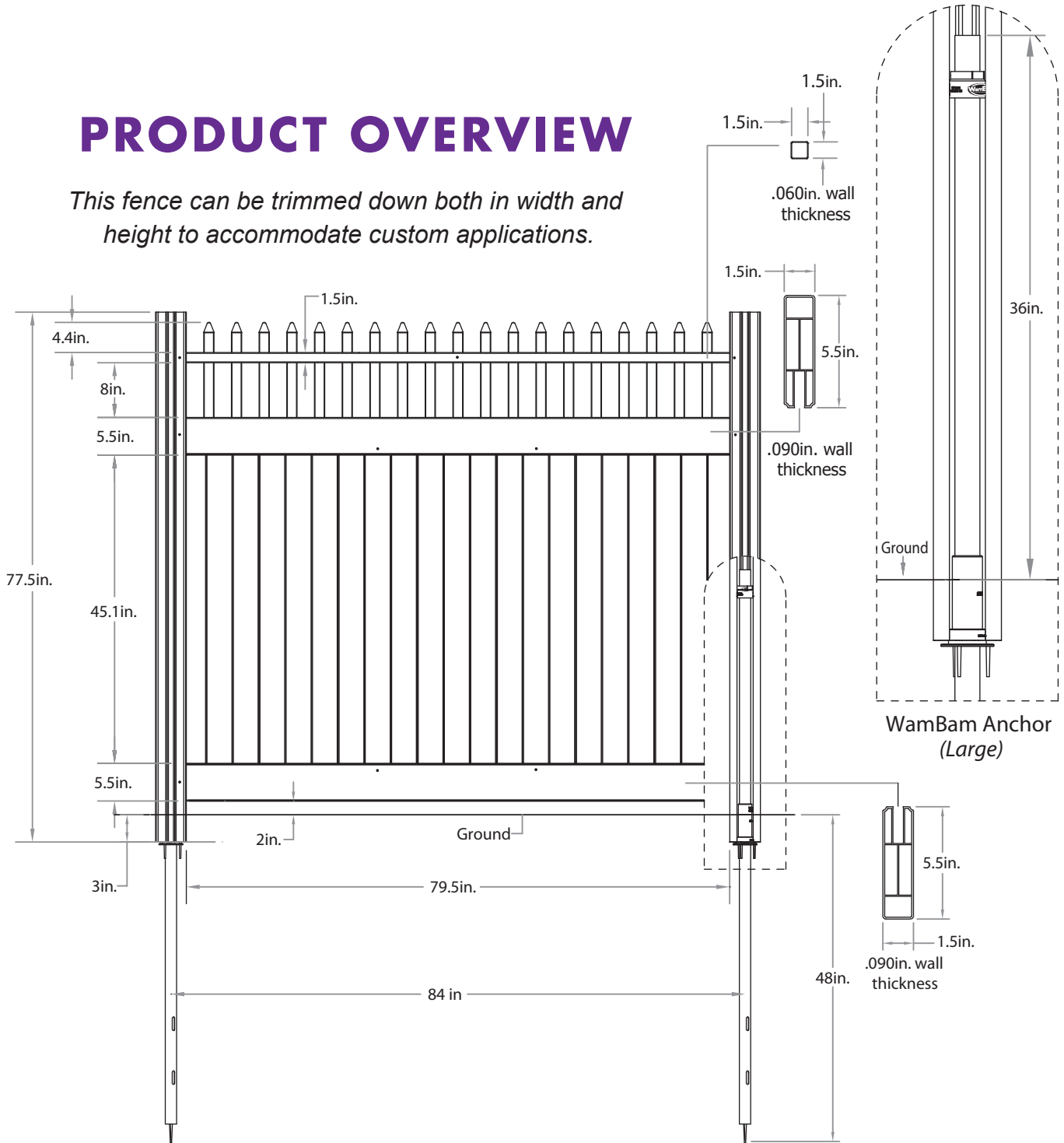
For installation videos and more information, visit [www.wambamfence.com](http://www.wambamfence.com)

# Big Ben Vinyl Fence



## PRODUCT OVERVIEW

*This fence can be trimmed down both in width and height to accommodate custom applications.*





# Big Ben Vinyl Fence Box Contents

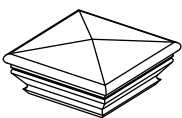


## Each Fence Panel Box Includes:

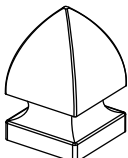
- Top Rail (1)
- Picket Caps (19)
- Pickets (19)
- 1.25in. Stainless Steel Screws (5)
- Middle Rail (1)
- C-Channels (2)
- Privacy Boards (7)
- 3.5in. Stainless Steel Screws (6)
- Bottom Rail (1)
- Tube of Glue (1)

## Sold Separately:

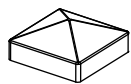
- Posts
- WamBam Anchors (Large)
- Post Caps (3 options)



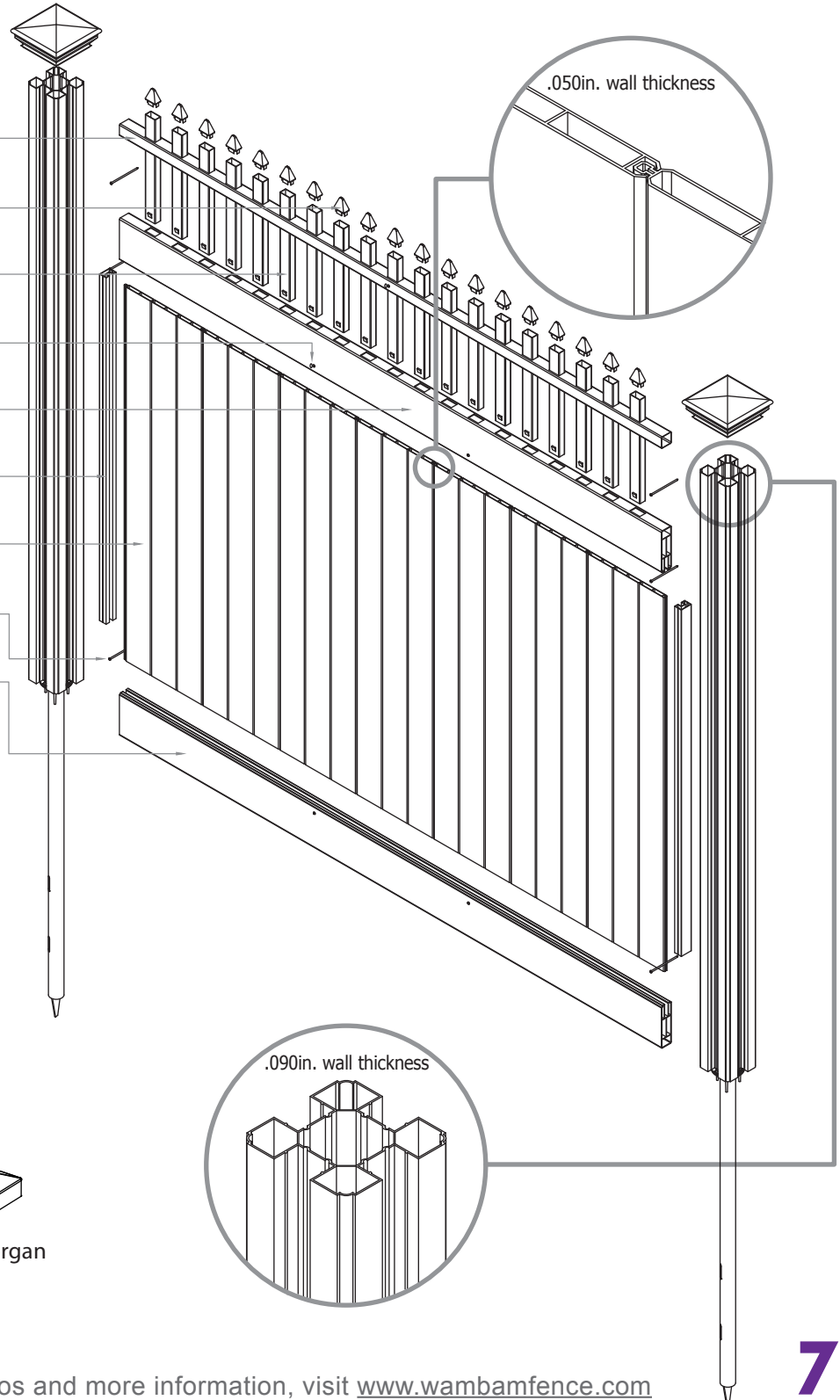
Cap'n Jack



Cap'n America



Cap'n Morgan



# The Secret Weapons of WamBam

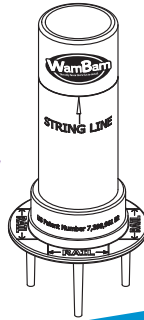
# WamBam

The only fence that's fun to install.

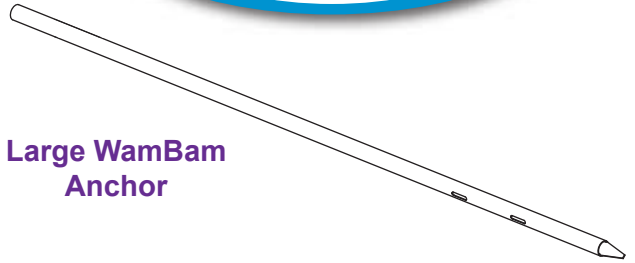
Leveling Donut



Anchor Positioner



Large WamBam Anchor



## The Problem?

For the past 100 years or so, driving an anchor (or pipe) deep into the ground has been known as a great way to install a fence post versus having to dig holes and use concrete. But up until now, there has always been at least two problems. These two problems are why people still have to dig holes and use concrete to this very day.

### Solution 1 - *The Leveling Donut*

It's fairly difficult to drive an anchor into the ground perfectly straight up and down. Trust me, over the past twelve years I've driven thousands of anchors into the ground using both air-driven and manual pounders, so I know this from experience.

That's why I invented and patented the Leveling Donut. Think of this as your friend, helping you compensate for an anchor that you have driven into the ground slightly crooked. You simply adjust it to level from the Anchor Positioner 360 degrees as needed, and then sleeve over it with your visible fence post (see next page).

### Solution 2 - *The Anchor Positioner*

Your anchor will tend to jump around during the first few strikes into the ground and lose its intended position. The Anchor Positioner will eliminate this by holding the tip of your anchor firmly in place as it initially penetrates into the ground. This device also has markers where your horizontal fence rail will sit as a temporary spacer to identify the exact location of your next anchor. This will save you from having to use a clumsy tape measure. The last benefit of this device is the ability for you to determine your post elevation by sliding the device either up or down the anchor shaft to adjust the overall height of your finished fence post. Adjusting the Anchor Positioner is much easier than trying to adjust or cut down your actual fence post.



I'm betting with a little bias that these two clever little devices are going to change how homeowners install their fencing for generations to come. In fact, I can guarantee it...because they already are.

# Quickie Overview



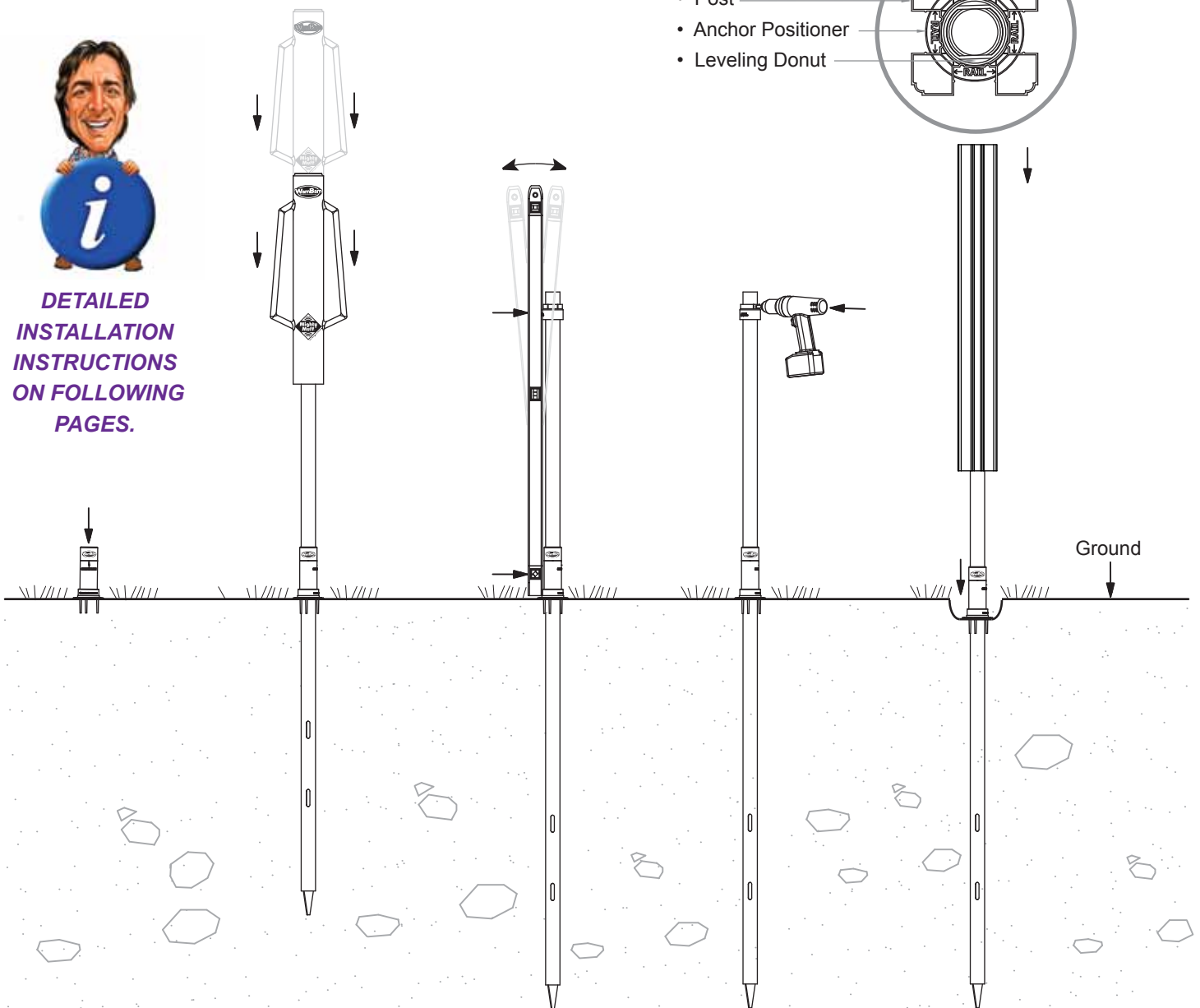
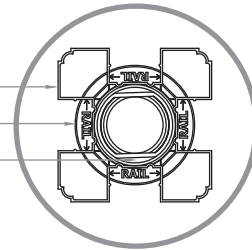
*This is designed to give you a general overview and should **not** be used as a substitute for the instructions.*



**DETAILED  
INSTALLATION  
INSTRUCTIONS  
ON FOLLOWING  
PAGES.**

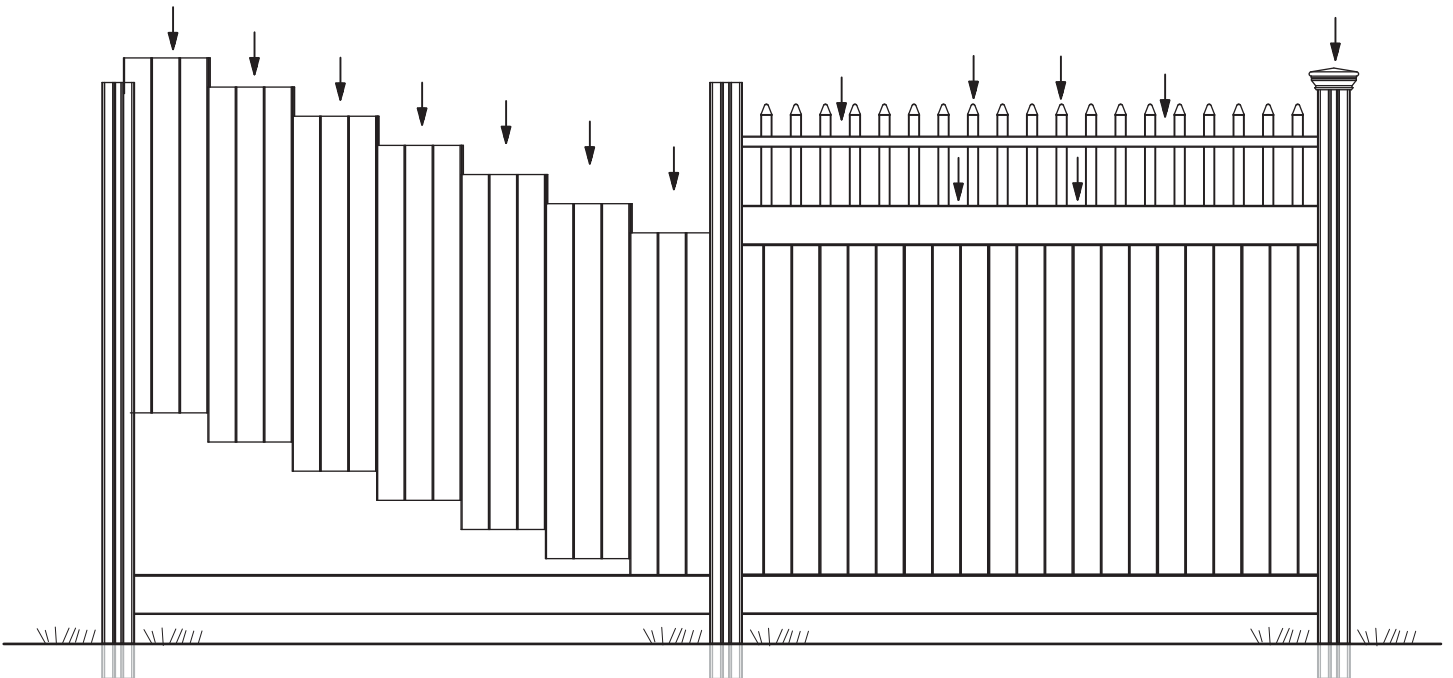
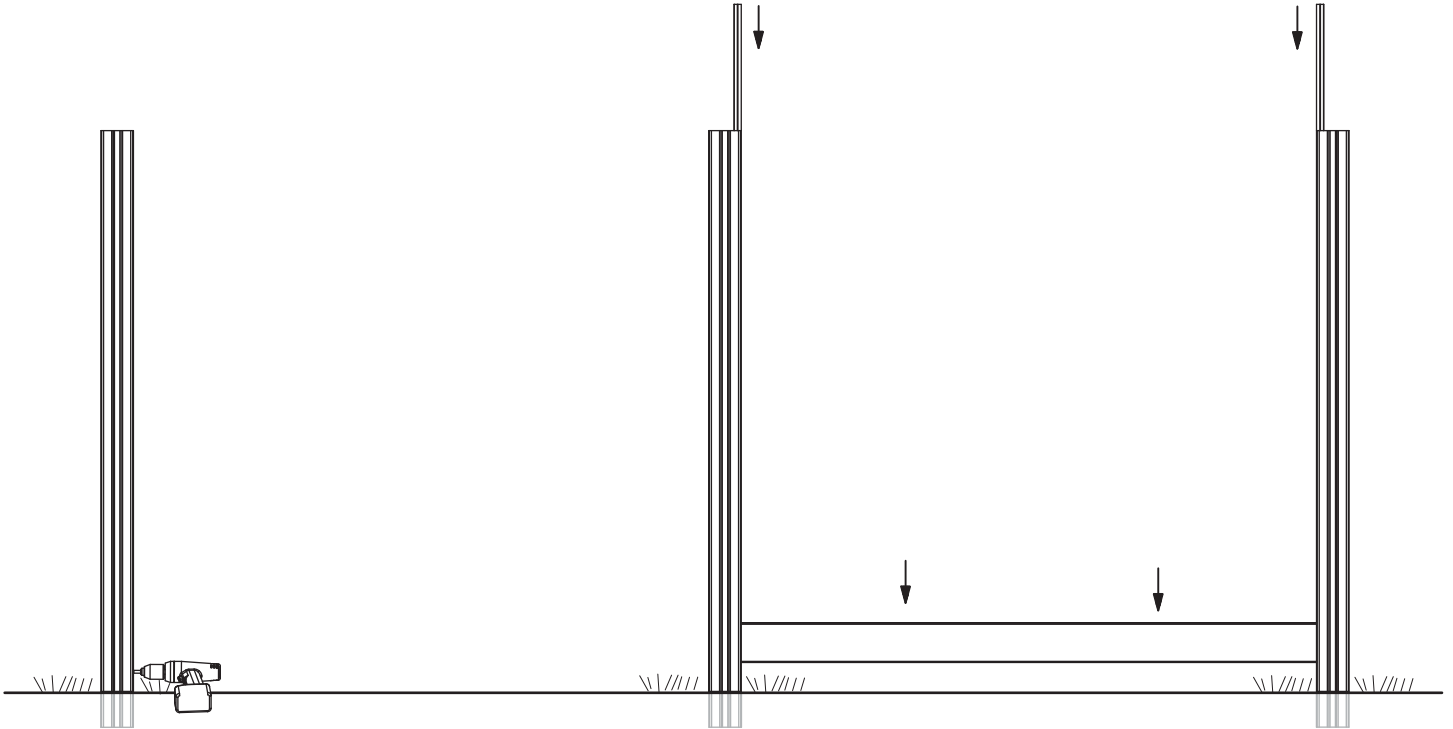
## Top View of Post

- Post
- Anchor Positioner
- Leveling Donut



# Big Ben Vinyl Fence

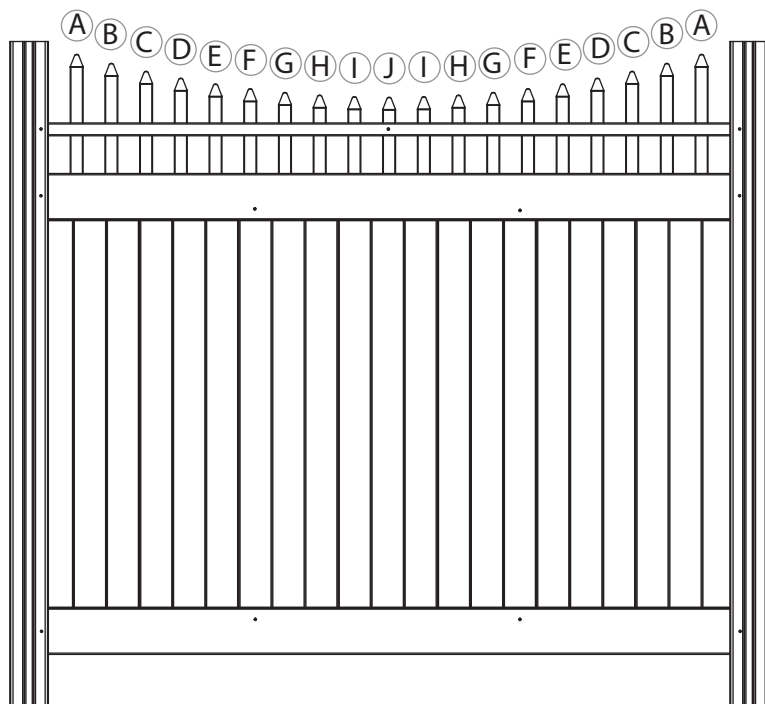
Quickie Overview Continued...



# Big Ben Vinyl Fence Customize Your Fence Design

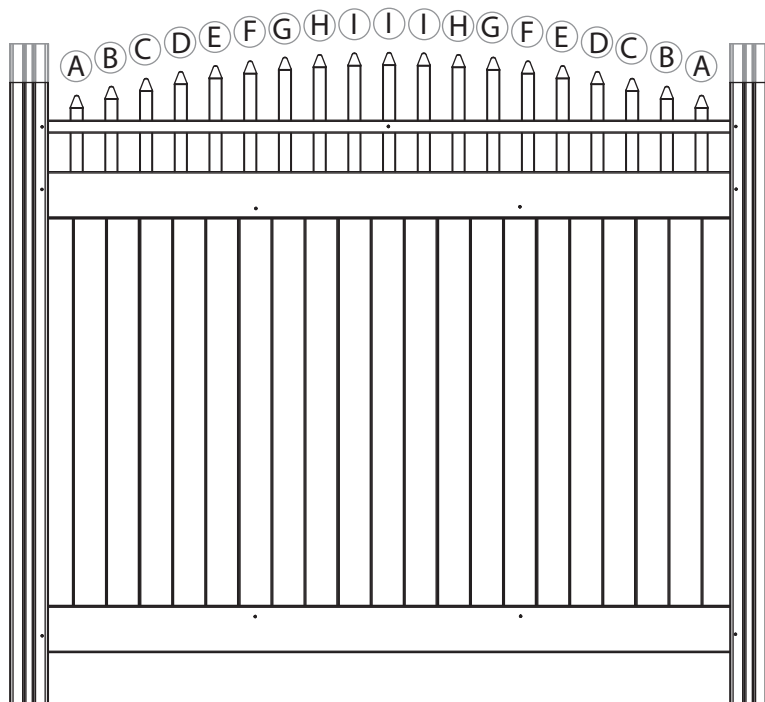


**Use The Cutting Guide Below To Trim Pickets to Create A Custom Fence Design**



*This Fence Can Also Be Trimmed Down Both in Width and Height to Accomodate Custom Applications*

A	13 1/2in.
B	12 1/2in.
C	11 1/2in.
D	10 3/4in.
E	10in.
F	9 1/2in.
G	9 1/8in.
H	8 3/4in.
I	8 5/8in.
J	8 1/2in.



*Note: Trim 5 inches off the top of the posts*

A	8 1/2in.
B	9 1/2in.
C	10 1/2in.
D	11 1/4in.
E	12in.
F	12 1/2in.
G	13in.
H	13 1/4in.
I	13 1/2in.

# Murphy's Vinyl Fence Laws

# WamBam

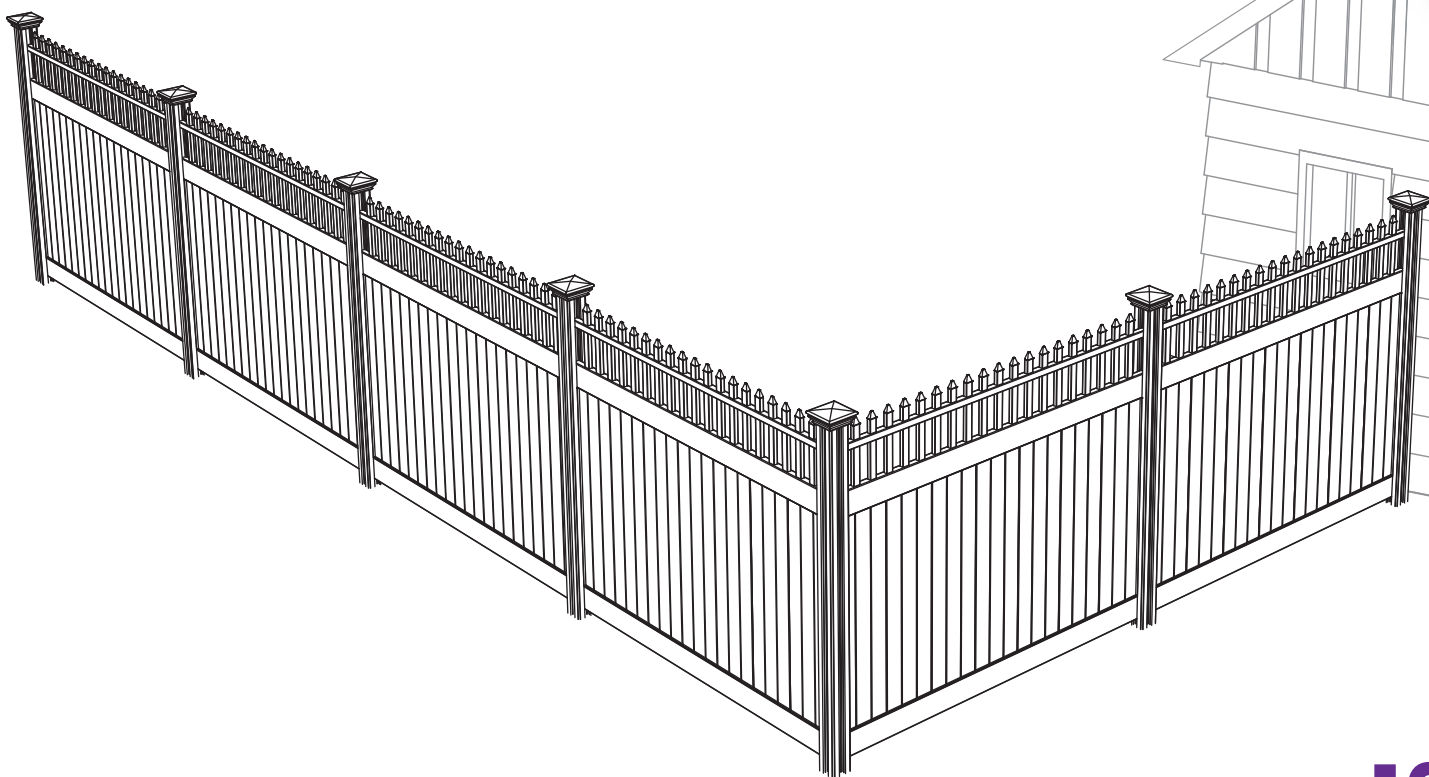
The only fence that's fun to install.

## Let's Pretend (Just for a Moment) That You Live in a Perfect World

To get started, we are going to walk you through how you would install the fence illustrated below.

This is the perfect scenario with no curve balls. The ground is level, your fence sections all work out evenly, the birds are chirping and the sky is blue (and your children got accepted to Harvard on full scholarships). Now back to reality. Your situation is almost guaranteed not to be like this. That's why we created "Murphy's Vinyl Fence Laws". This is a guide that outlines some of the different obstacles you could run into while installing your fence and how to overcome them. You can locate this information at:

[www.wambamfence.com/murphysvinylfencelaws](http://www.wambamfence.com/murphysvinylfencelaws)

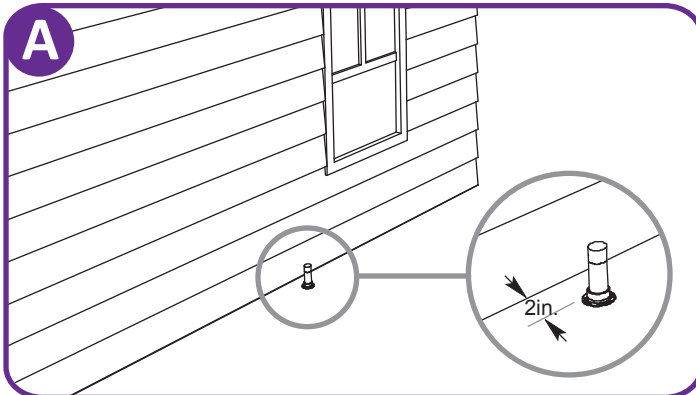


# Big Ben Vinyl Fence Detailed Installation Instructions

# WamBam

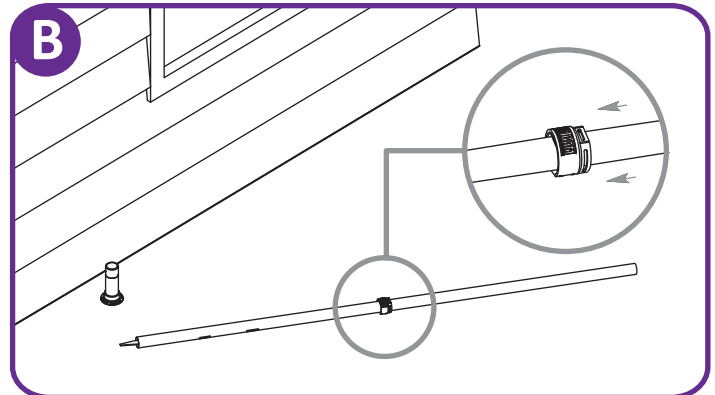
The only fence that's fun to install.

## STEP 1 Locate & Pound Your First WamBam Anchor Into Place

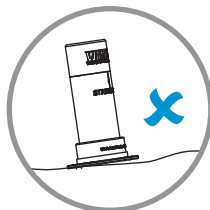
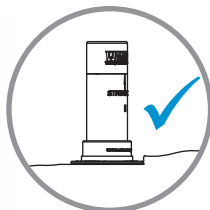


### A - Identify location of first Anchor Positioner

- Keep the edge of the Anchor Positioner 2 inches away from any vertical surface to allow for future post and cap.



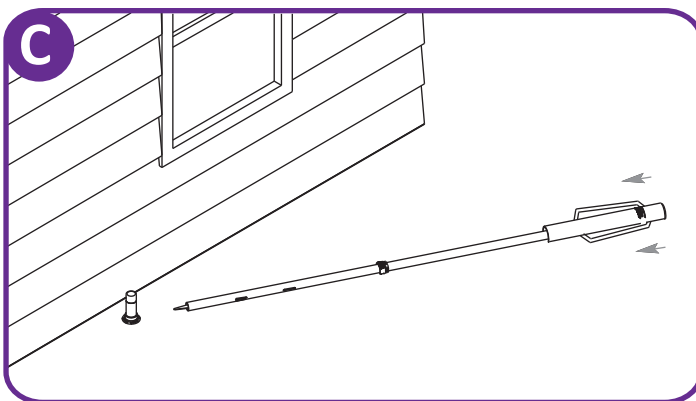
### B - Slide Leveling Donut over WamBam Anchor either now or after being driven into the ground to appropriate height.



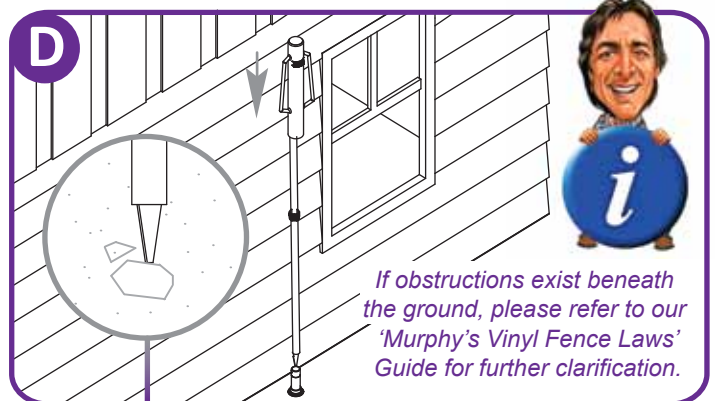
Make sure your Anchor Positioner is level with the ground and not sloped at an angle.



Leaving the leveling donut off your anchor at this stage will make it easier to pound your anchor into the ground. However, if your soil is dry and hard, you may mushroom the top of your anchor during installation making it difficult to get the donut on later.



### C - Slide WamBam Pounder over WamBam Anchor

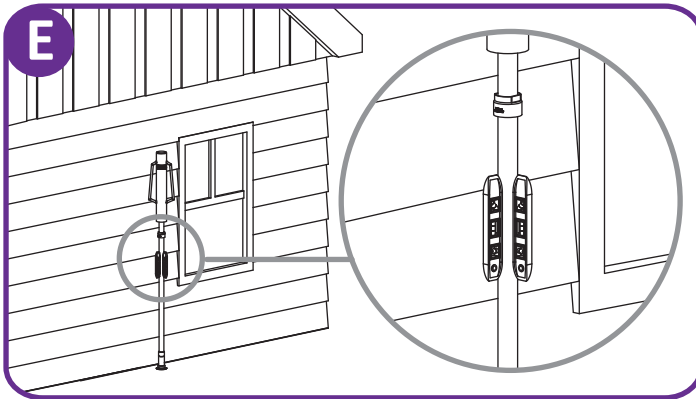


### D - 'WamBam' the pounder to stabilize the anchor in the Anchor Positioner

- Relax your grip on the pounder during the up and down stroke as this will reduce vibration fatigue.

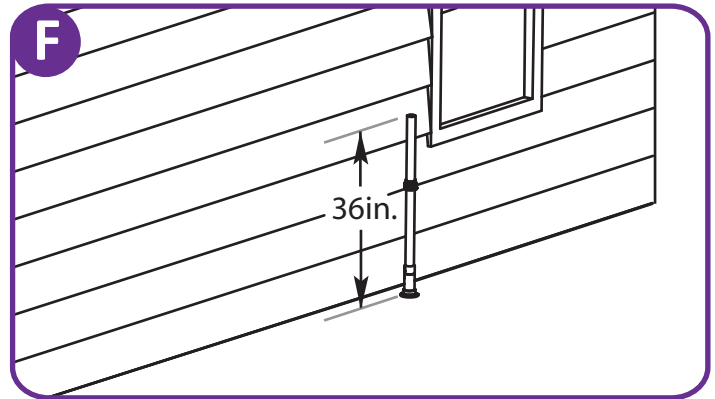
If obstructions exist beneath the ground, please refer to our 'Murphy's Vinyl Fence Laws' Guide for further clarification.

## Step 1 continued...



### E - Level at 6 inch intervals (both ways) during penetration into the ground

- Pounding the anchor from all 4 sides will help maintain level



### F - Drive WamBam Anchor 48 inches into the ground

- Ideal anchor height should be 36 inches above the ground
- In typical ground, the anchor will require 15 to 30 "WamBams" with the WamBam Manual Pounder

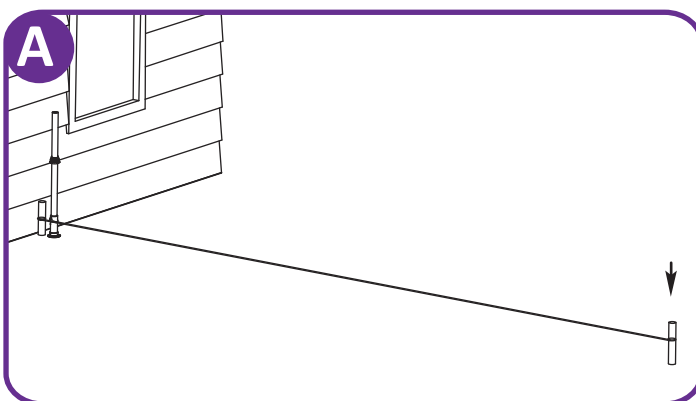


Initial anchor penetration into the earth is "position critical" as straight and level adjustment will become increasingly difficult as driven deeper into the ground.



Use an empty cardboard box as a mat for your knees for the final few pounds into the ground.

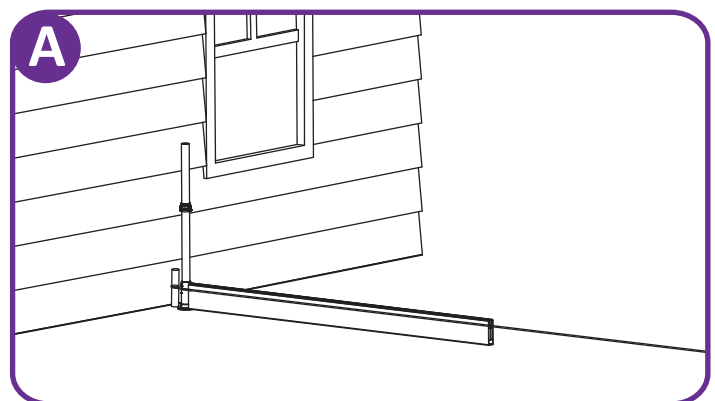
## STEP 2 How to Lay Out Your First String Line



### A - Identify your string line with stakes

- String line should be 90 degrees to the house

## STEP 3 How to Use Your Rail As a Spacing Guide

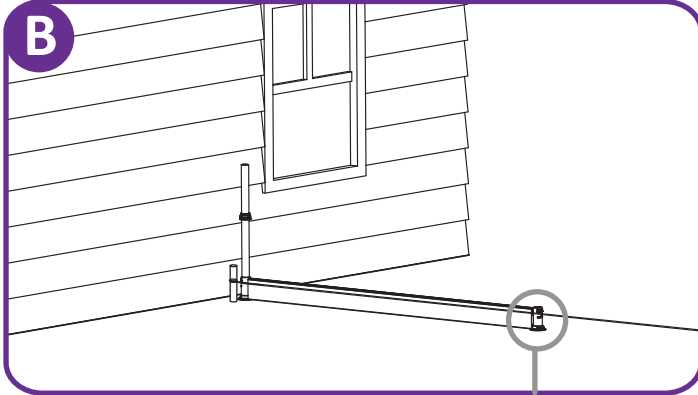


### A - Lay out the first rail along your string line

- Use caution as vinyl will scratch when in contact with rocks, rough dirt, etc.
- Use only one rail as temporary spacer for your entire fence

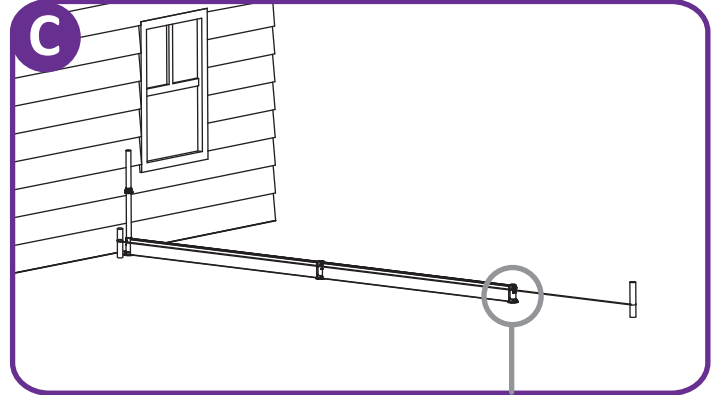
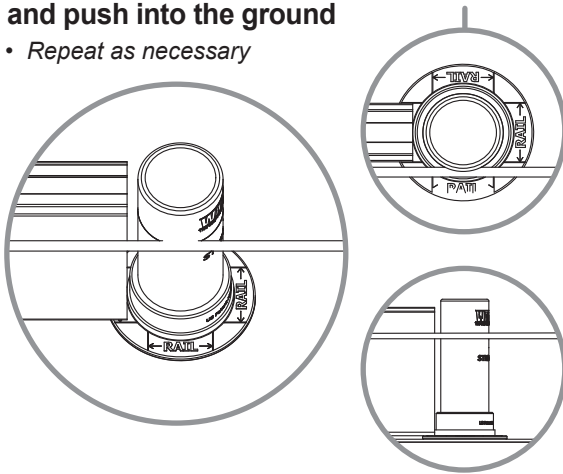


## Step 3 continued...



**B - Bring the next Anchor Positioner into alignment with the string line and the end of your fence rail and push into the ground**

- Repeat as necessary

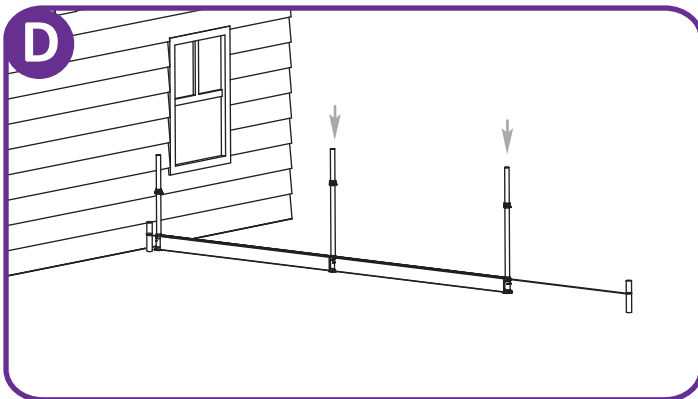
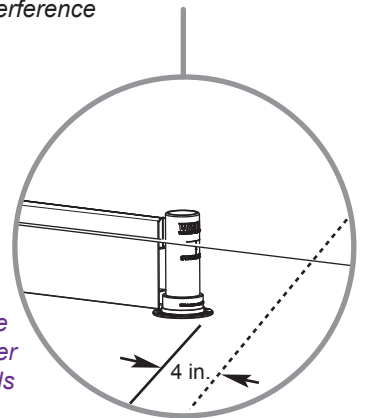


**C - Identify property line or corner post**

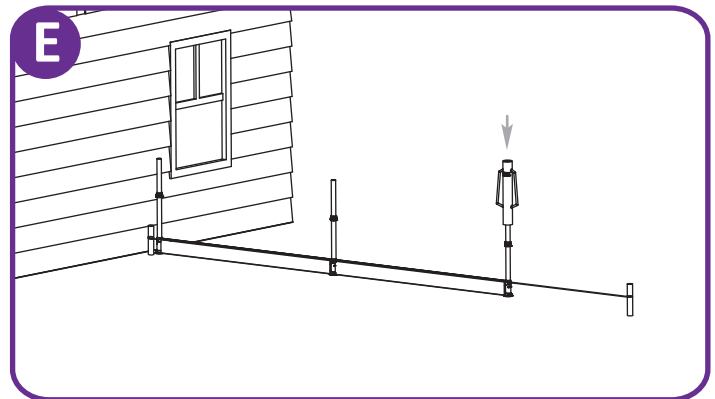
- Stay back at least 4 inches minimum from property line to eliminate possible interference



*Err on the side of spacing the anchor positioners a little closer than further apart as fence rails can be trimmed down as necessary, but not lengthened.*

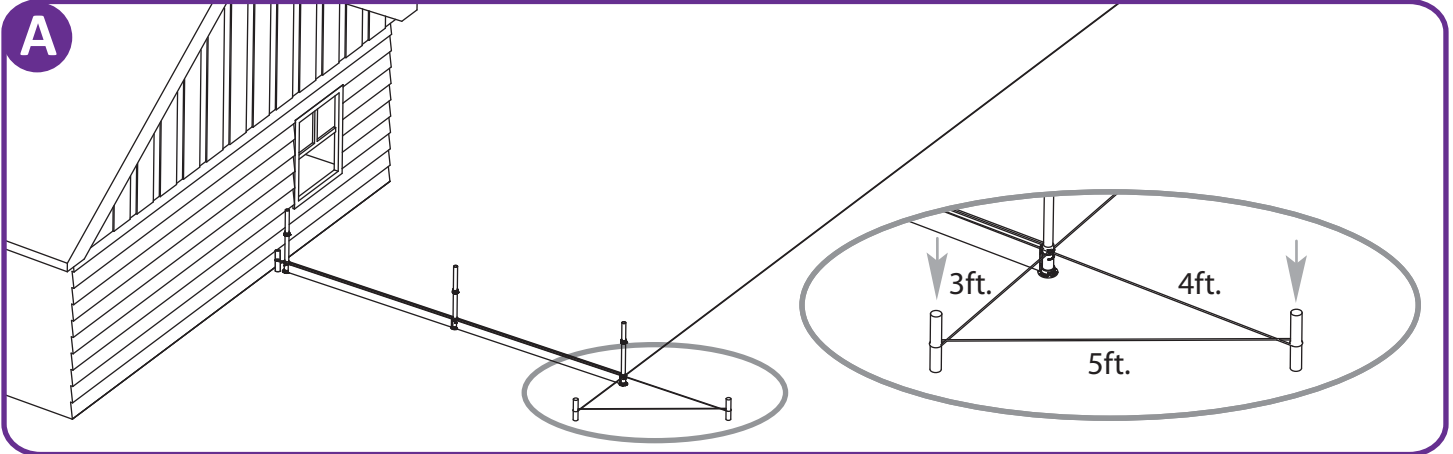


**D - Place your anchors in the Anchor Positioners**

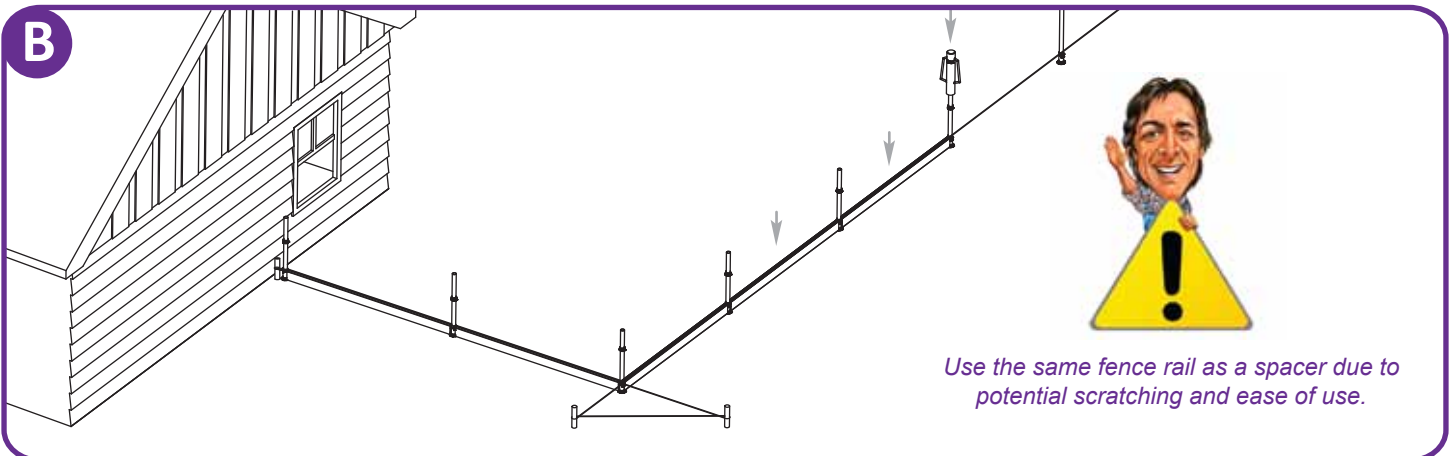


**E - Continue to drive your anchors into the ground using the WamBam Manual Pounder.**

**STEP 4 Continue Pounding Anchors Along String Line**

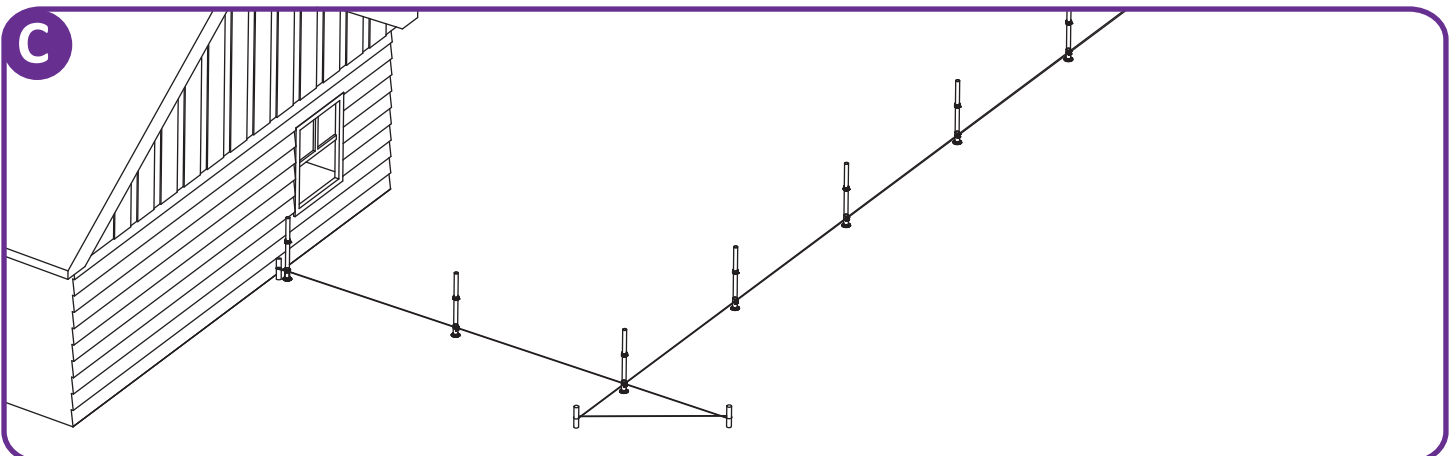


**A - How to plot a right angle with a string line (if necessary)**

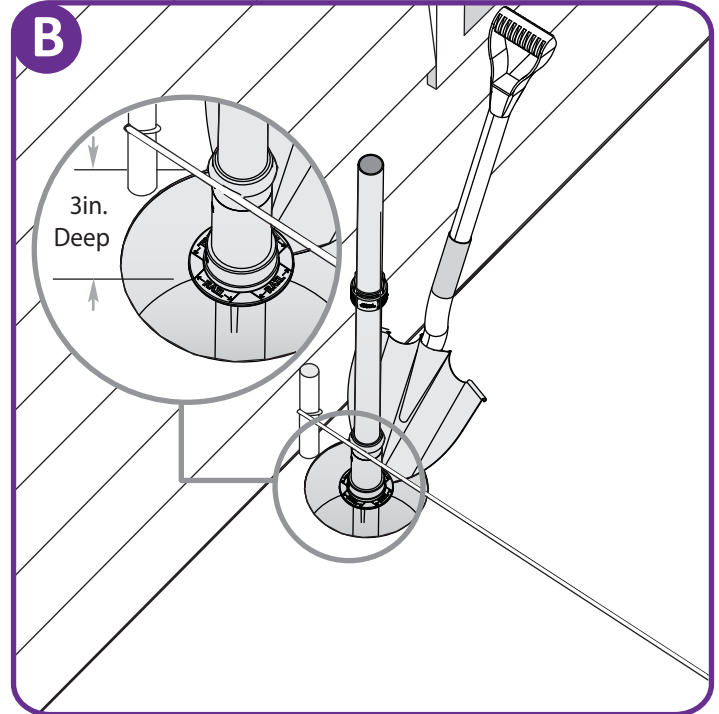
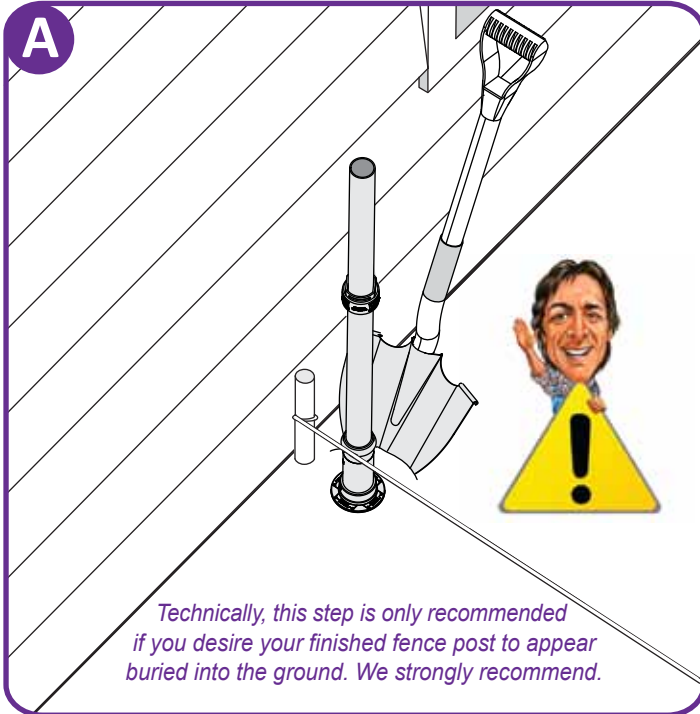


*Use the same fence rail as a spacer due to potential scratching and ease of use.*

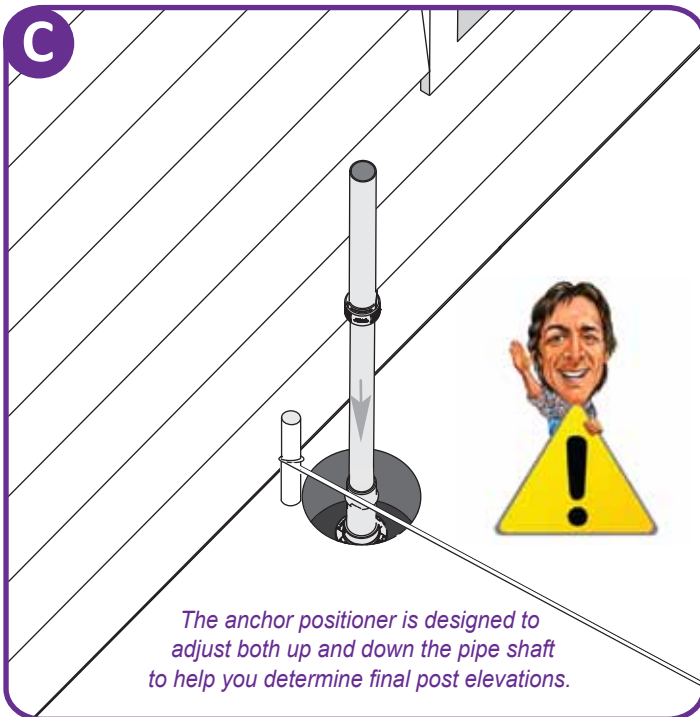
**B - We recommend laying out your anchor postioners from start to finish along your fence line before you get too far in pounding your anchors. This will help you understand what obstacles you may need to adjust for further down your fence line. It will also allow you to re-adjust as needed.**



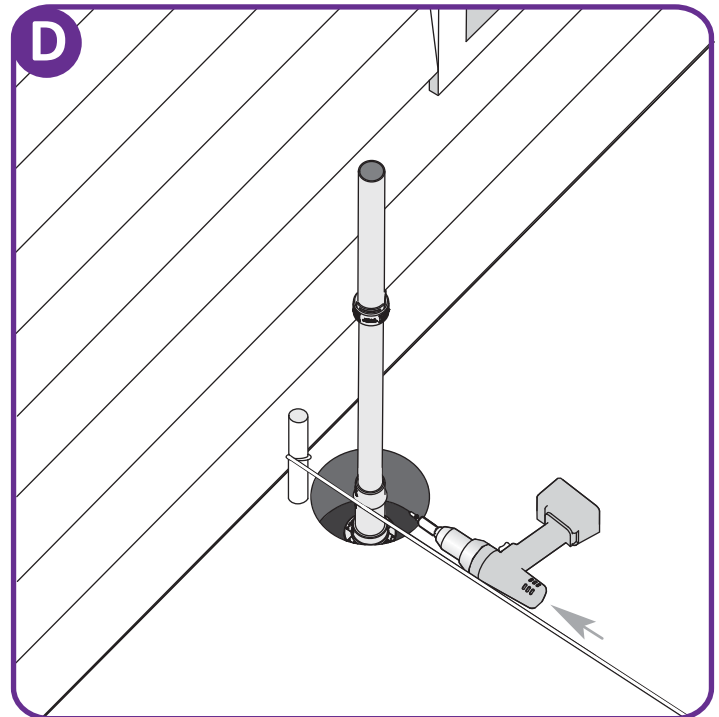
**STEP 5 Remove Soil and Secure Anchor Positioner**



**A / B - Remove approximately 3 inches of soil underneath the anchor positioner.**

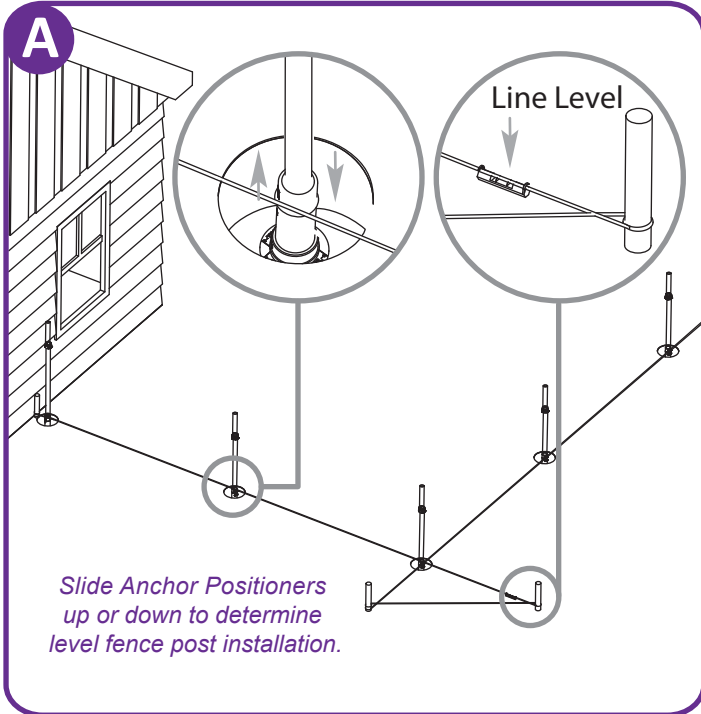


**C - Adjust your string line to the string line marking on the anchor positioner**

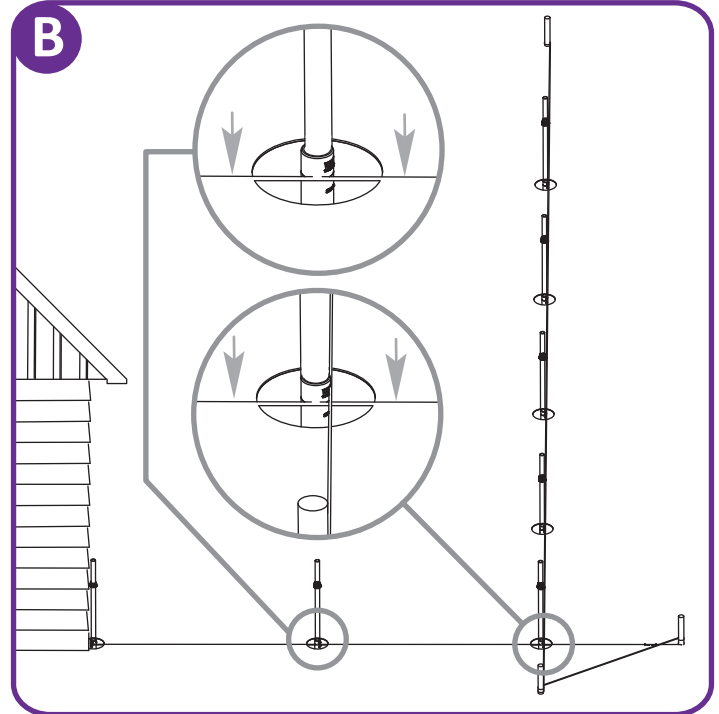


**D - Use one self-drilling Tek Screw to secure the anchor positioner to the anchor.**

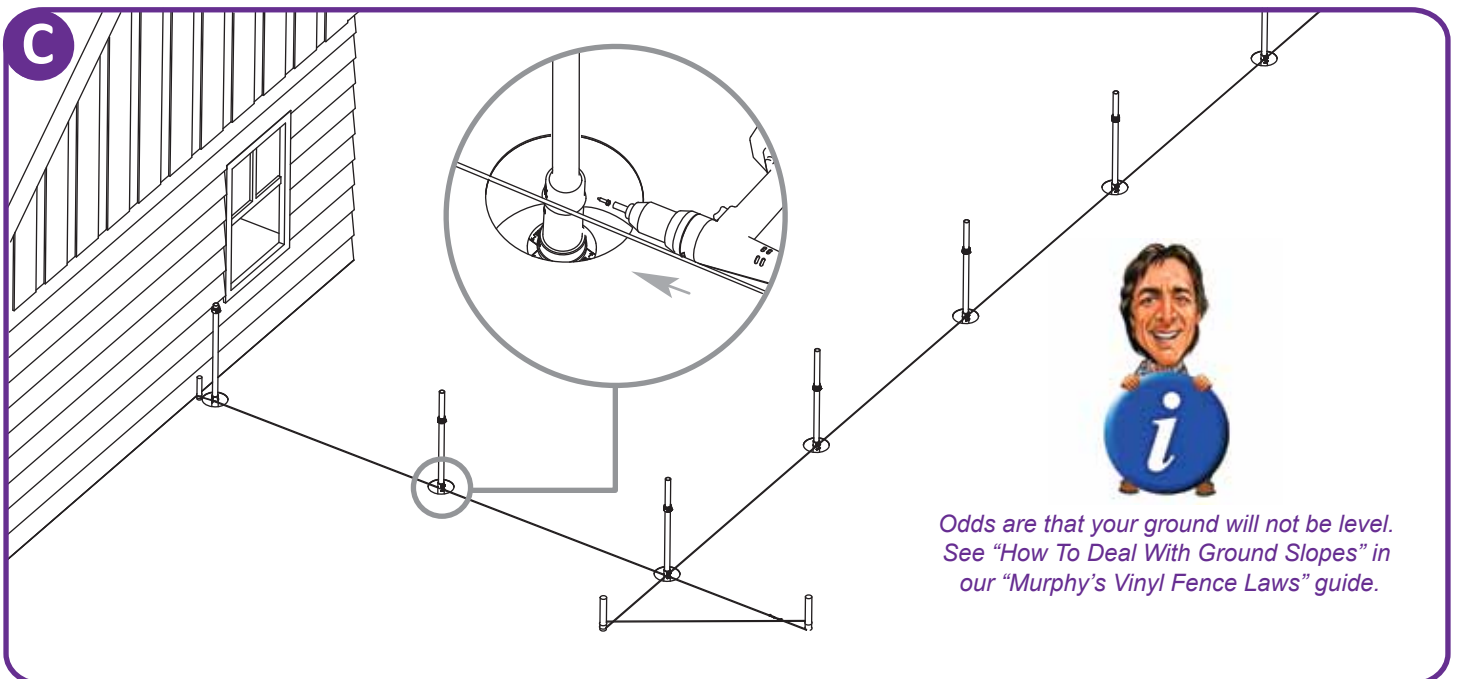
**STEP 6** Level Your String Line



**A - Adjust your Anchor Positioners to the string line to determine level fence post installation**



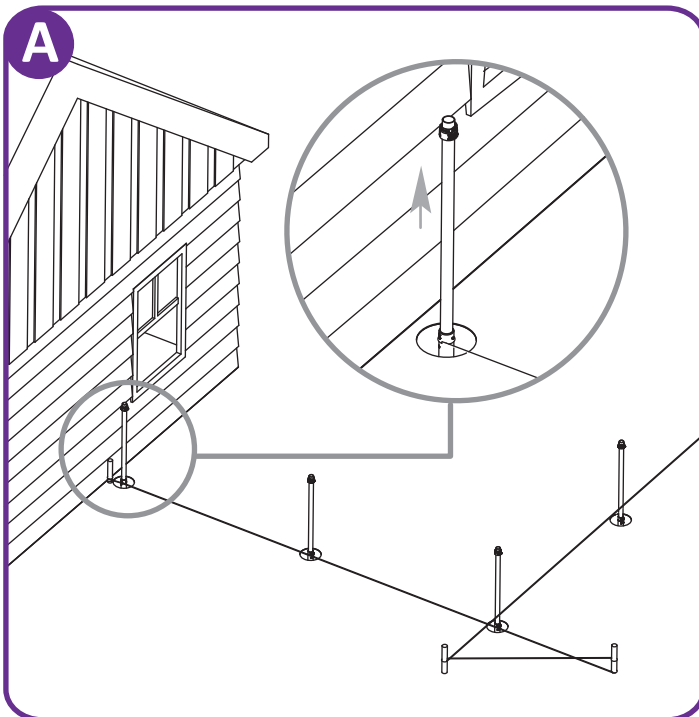
**B - Ensure that your string line is level to the string line marking on the Anchor Positioners**



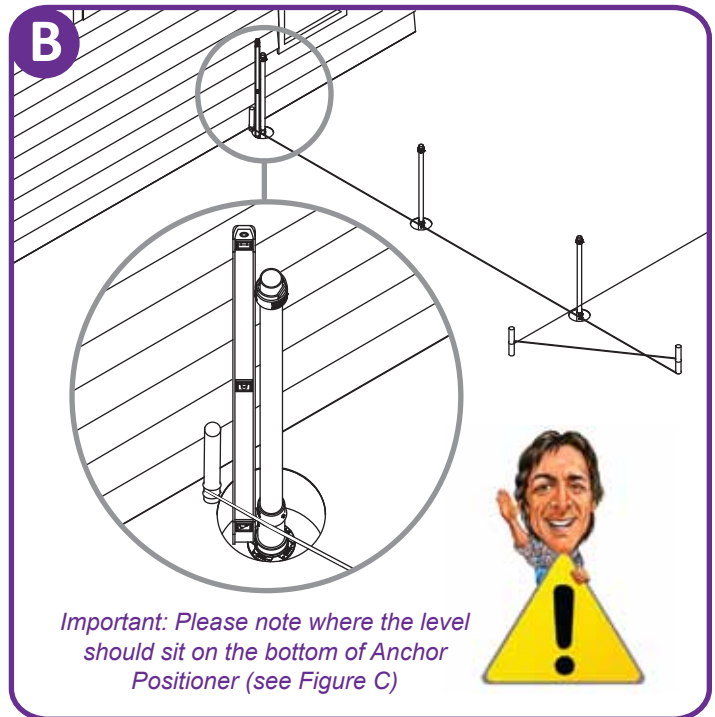
**C - Once your Anchor Positioners have been final adjusted level to the string line marking, fasten with self-drilling Tek screw**

*Odds are that your ground will not be level. See "How To Deal With Ground Slopes" in our "Murphy's Vinyl Fence Laws" guide.*

**STEP 7** Leveling and Securing WamBam Leveling Donuts

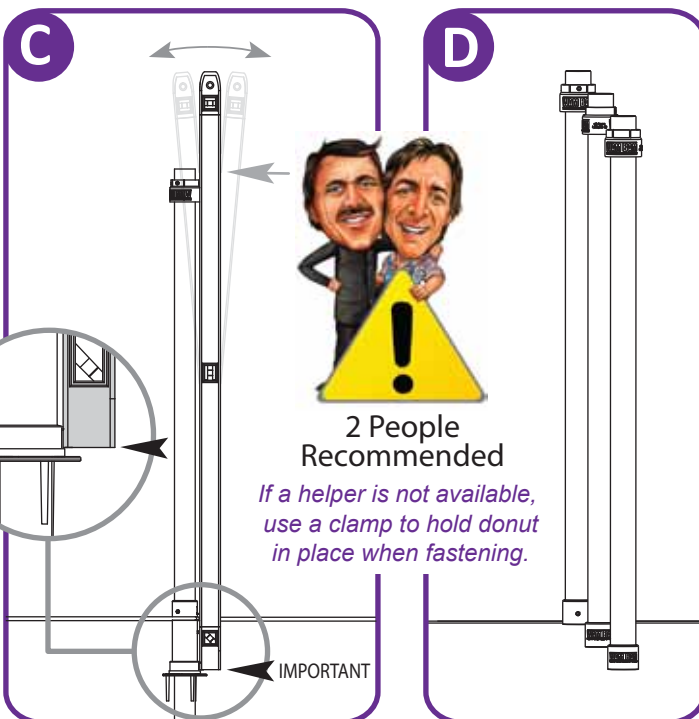


**A** - Lift the Leveling Donut to within 1 inch top of anchor



*Important: Please note where the level should sit on the bottom of Anchor Positioner (see Figure C)*

**B** - Adjust the Leveling Donut as necessary to bring into level alignment with the Anchor Positioner

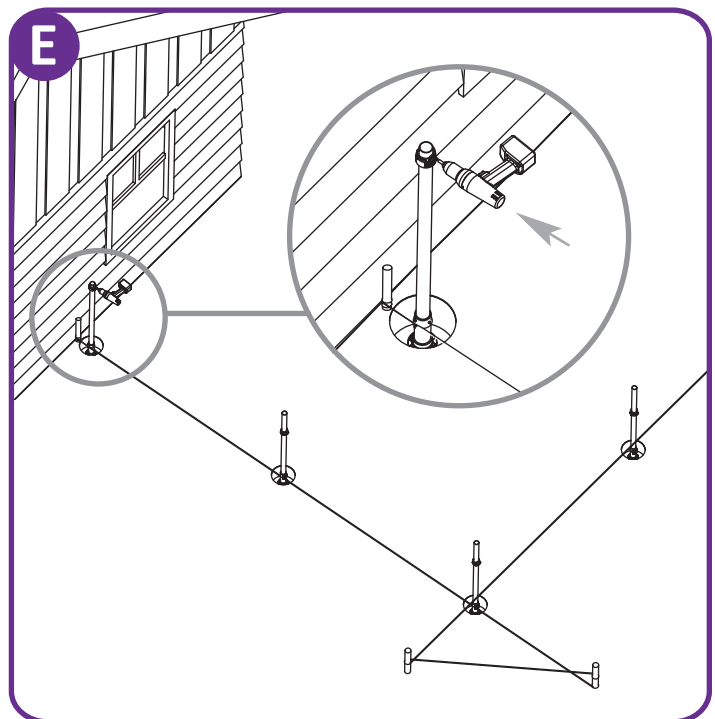


**2 People Recommended**

*If a helper is not available, use a clamp to hold donut in place when fastening.*

**IMPORTANT**

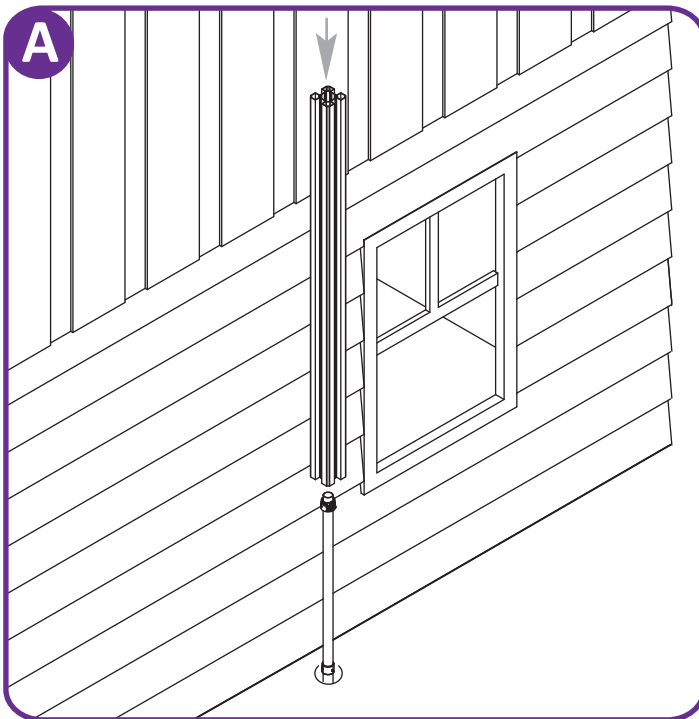
**D** - Leveling Donuts should be aligned with others in the fence line. This can be accomplished using the same string line from below.



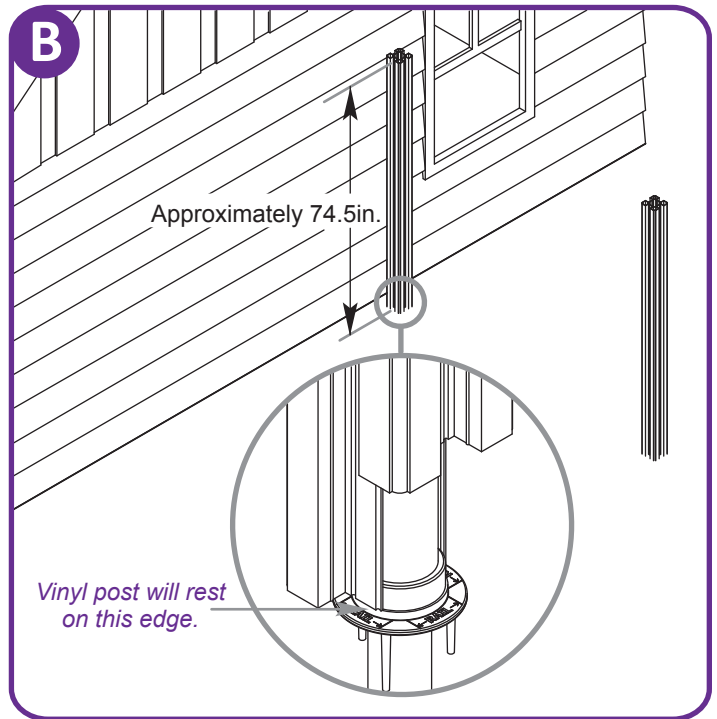
**E** - Use two self-drilling Tek screws to secure the Leveling Donut to the anchor

• Repeat for remainder of fence

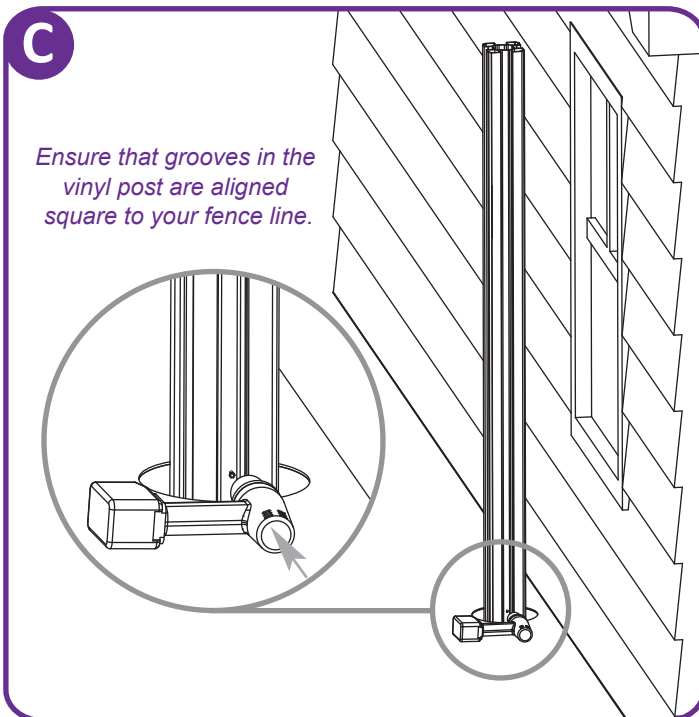
**STEP 8 Place Vinyl Posts Over WamBam Anchors**



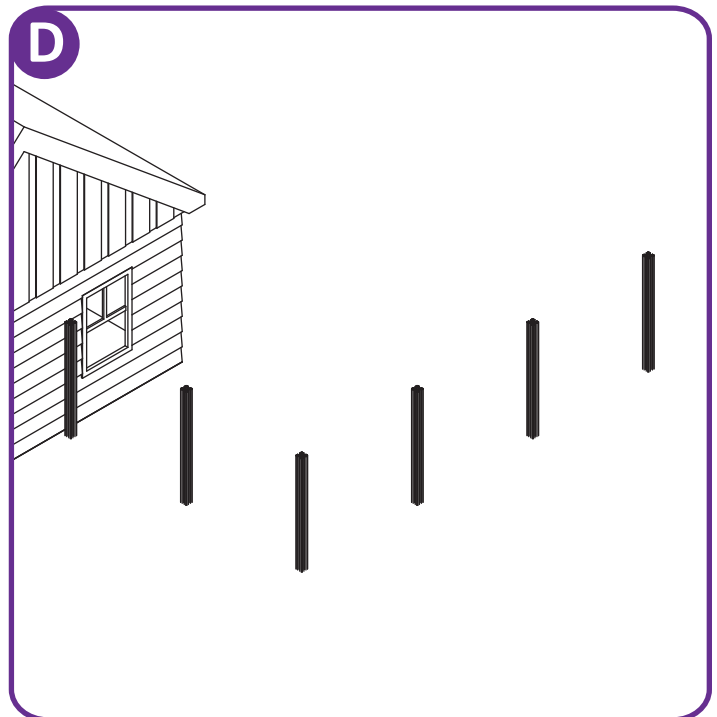
**A - Place a vinyl post over the first anchor**



**B - Vinyl post will rest on the edge of the Anchor Positioner**

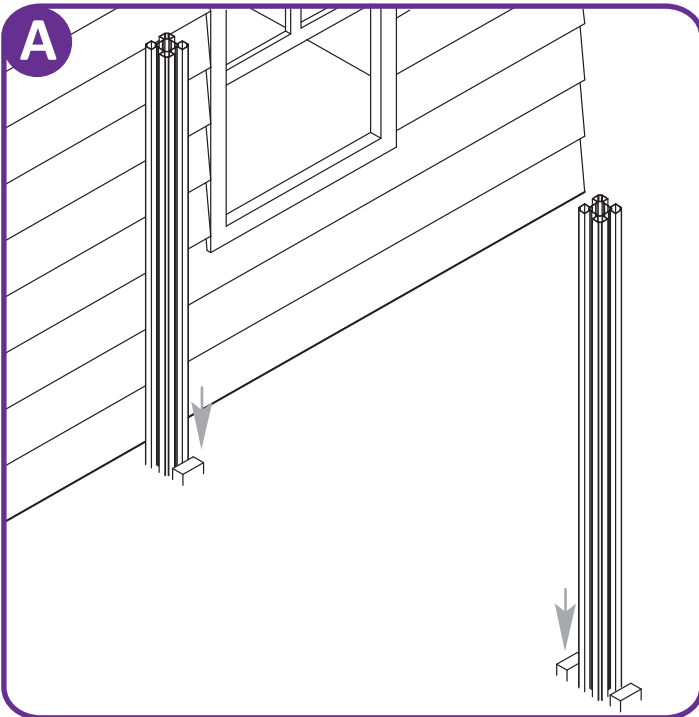


**C - Use self-drilling Tek screw to secure vinyl post to internal Anchor Positioner and anchor**

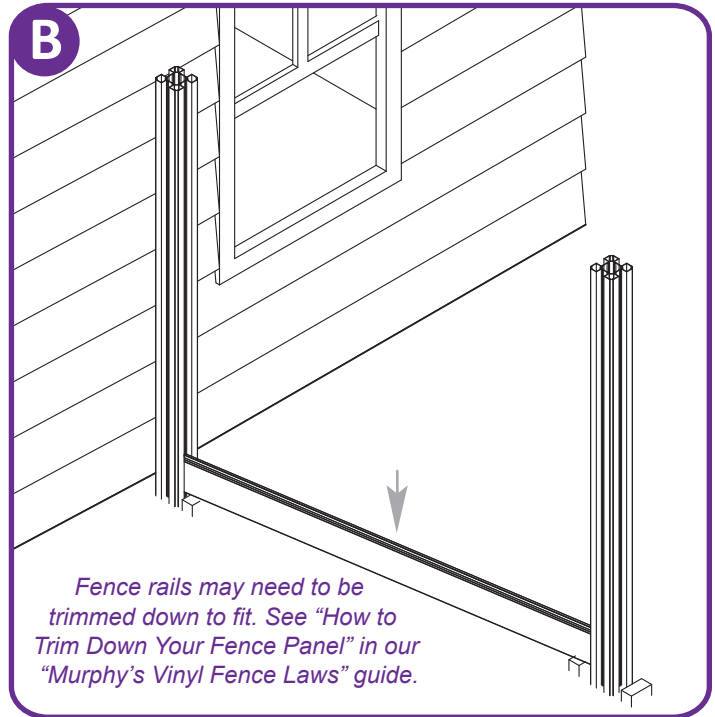


**D - Repeat for all posts**

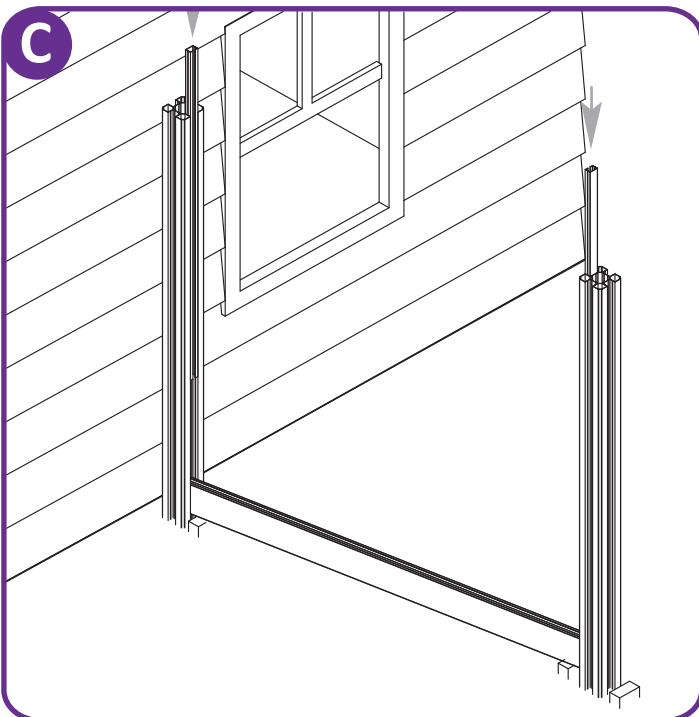
**STEP 9** Install Your Fence Posts, Bottom Rails, & Channels



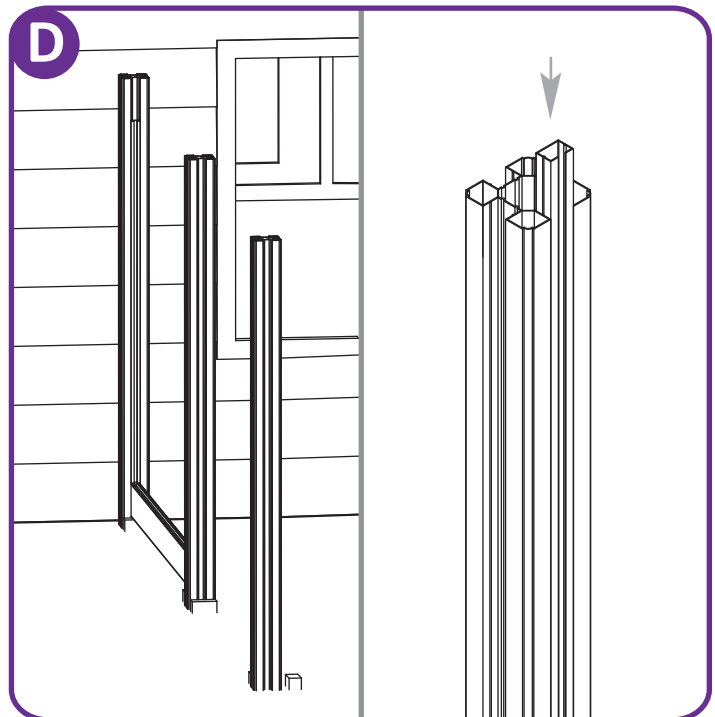
**A** - Place wood spacers next to the vinyl posts



**B** - Slide the bottom rail down the groove in the post until it rests on the spacers

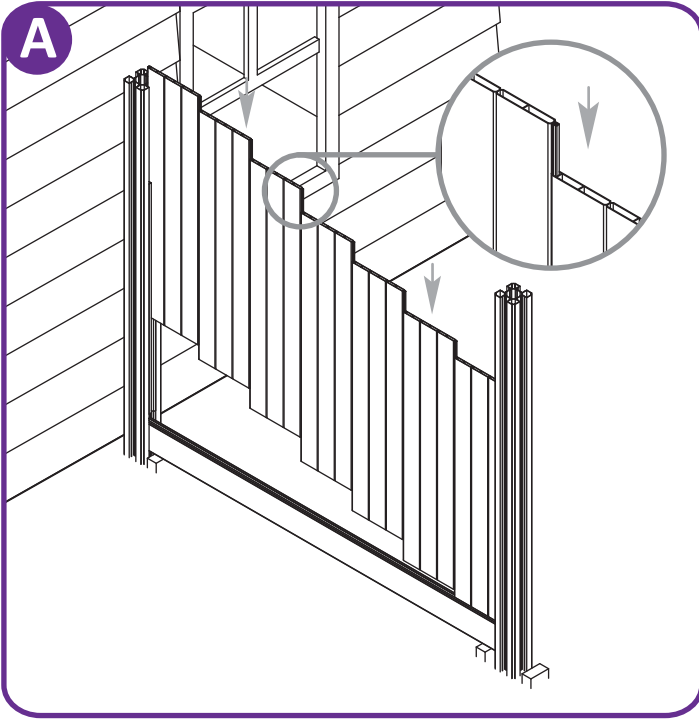


**C** - Slide the long channels down the grooves in the posts (position open side face to receive boards)

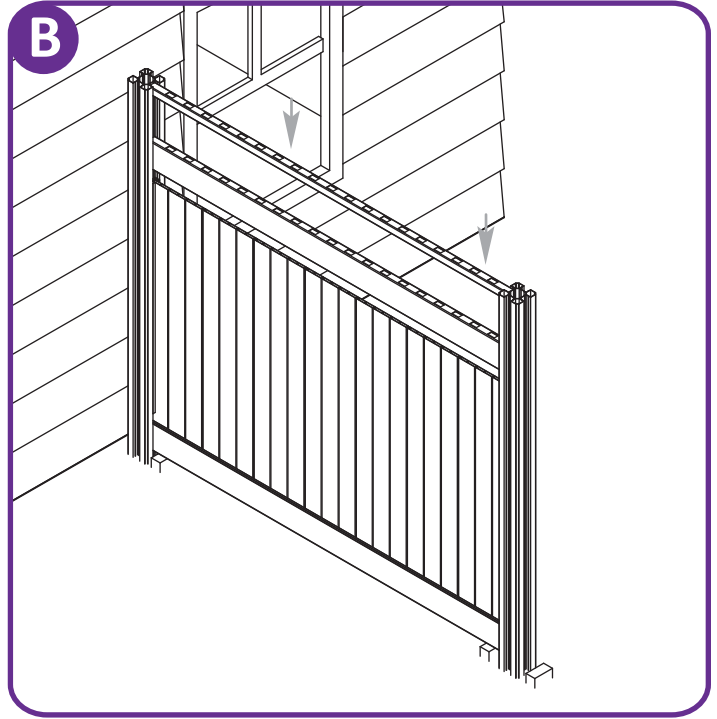


**D** - Repeat this process for all the posts

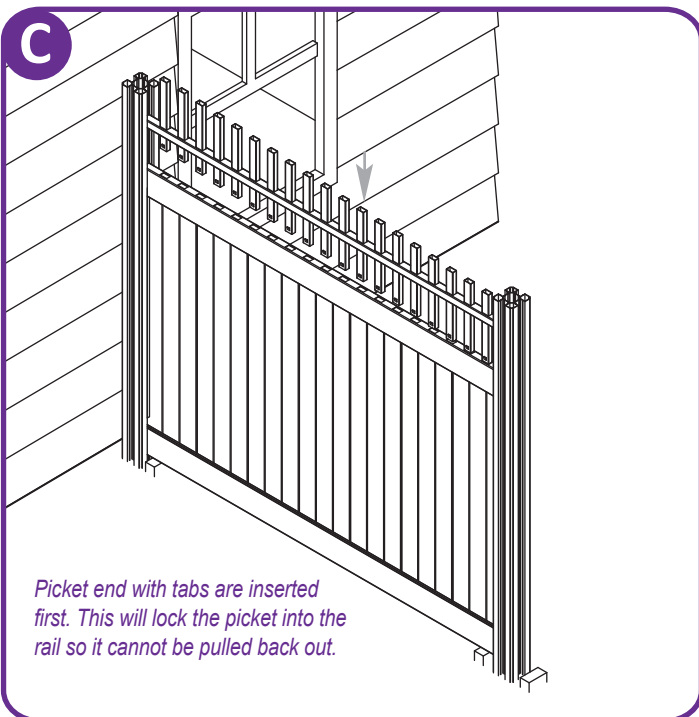
**STEP 10** Install Your Fence Panels



**A -** Slide the first privacy tongue & groove board tight into the channel in the post, followed by the remaining boards (they will slide into each other)

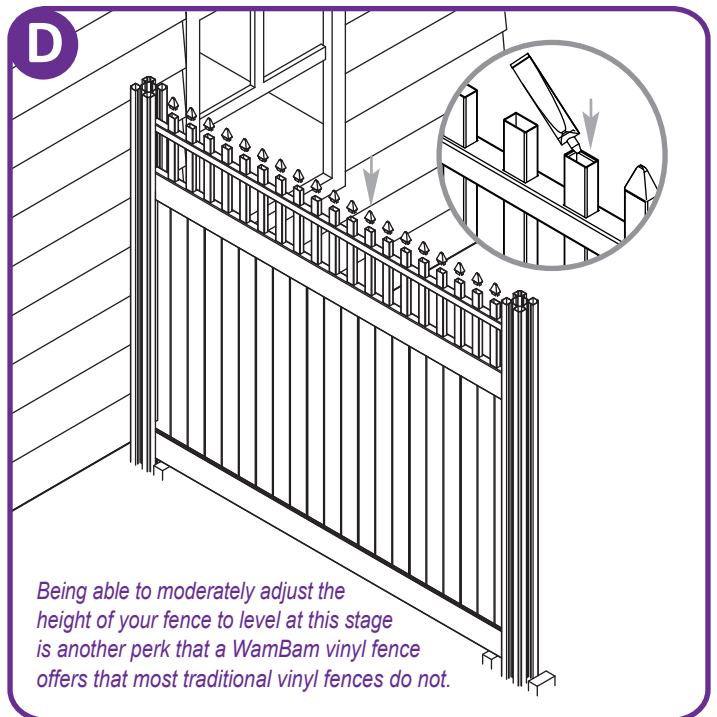


**B -** Slide the top rails into place



*Picket end with tabs are inserted first. This will lock the picket into the rail so it cannot be pulled back out.*

**C -** Slide pickets through holes in rails



*Being able to moderately adjust the height of your fence to level at this stage is another perk that a WamBam vinyl fence offers that most traditional vinyl fences do not.*

**D -** Glue picket caps onto top of pickets





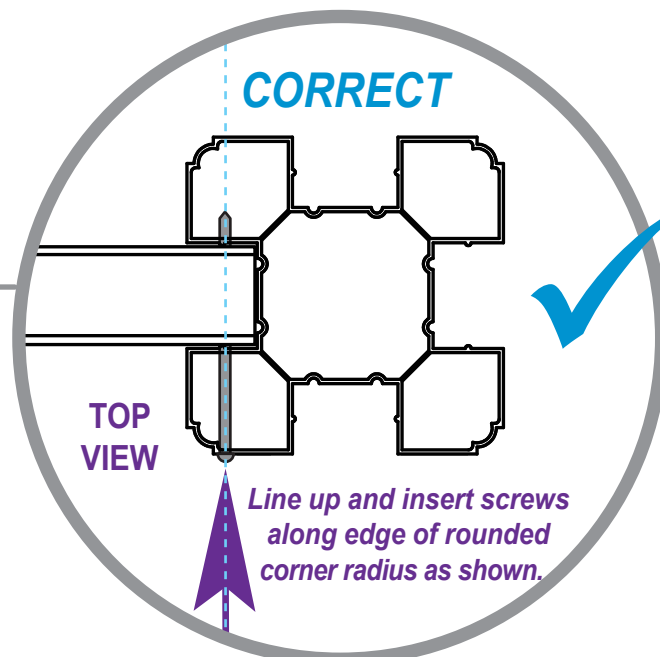
## STEP 11 Place Screws into the Posts, Pickets & Rails



Do not overtighten screws as it will cause the vinyl to dimple.

**VERY IMPORTANT**

Screws *must* be inserted straight and into the correct area of the post/rail as indicated.

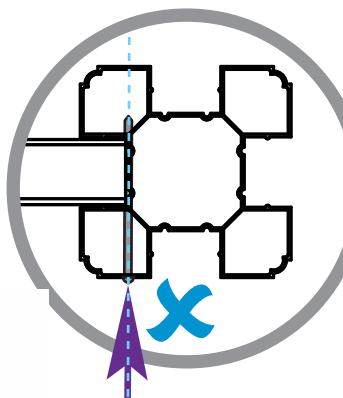


**CORRECT**

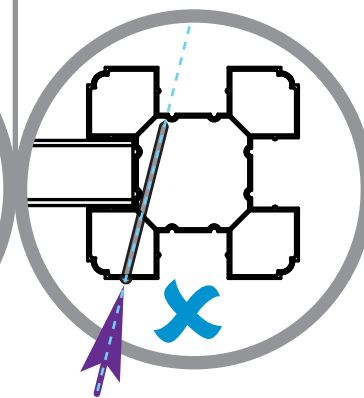
TOP VIEW

Line up and insert screws along edge of rounded corner radius as shown.

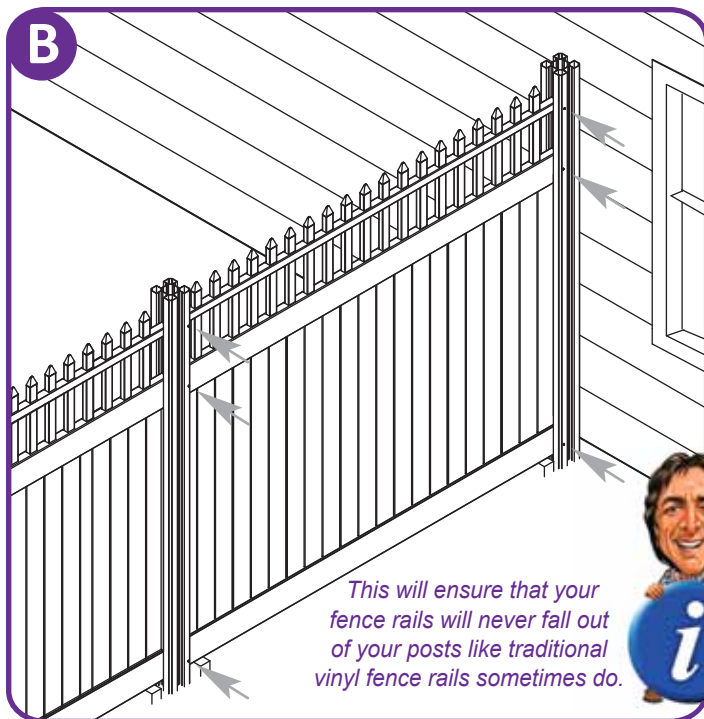
**WRONG**



**WRONG**

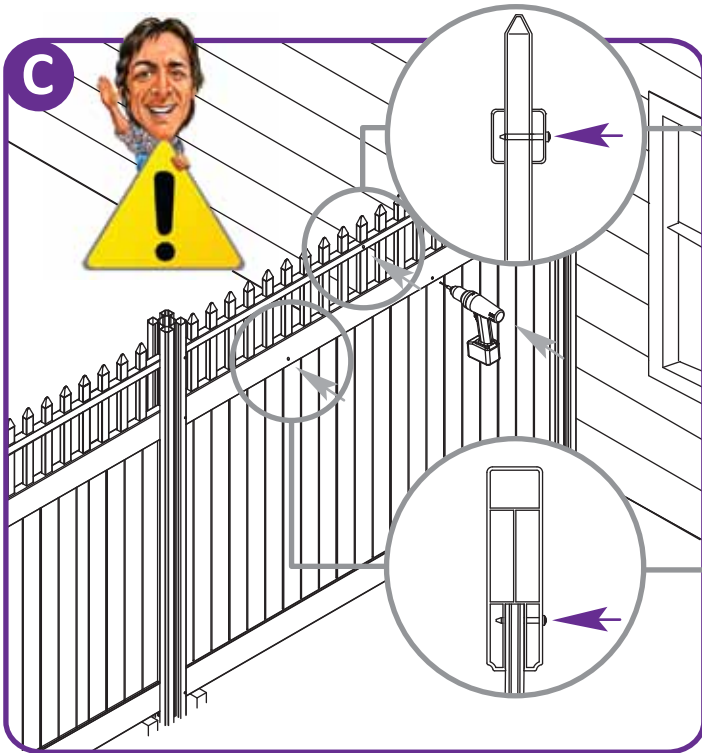


Screw has not been lined up nor inserted into the post correctly and has missed the rail entirely.



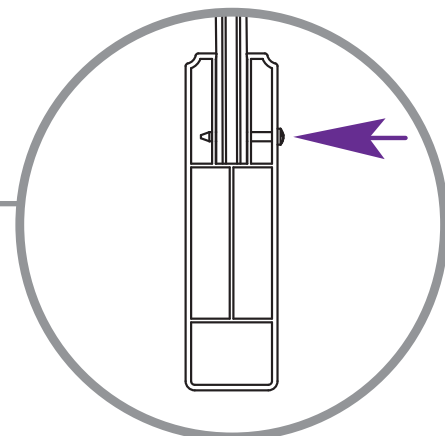
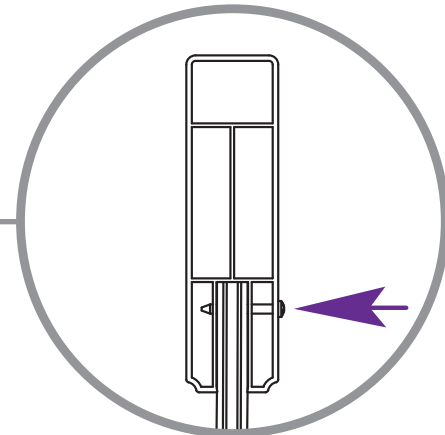
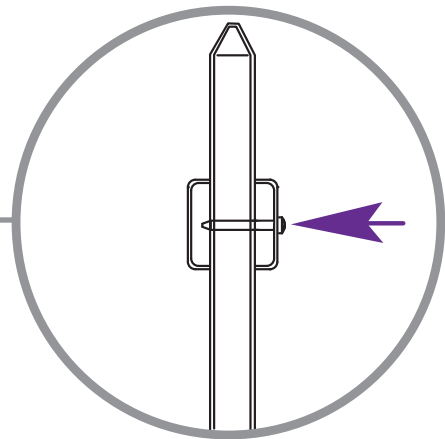
This will ensure that your fence rails will never fall out of your posts like traditional vinyl fence rails sometimes do.

**B - Repeat in each corner for a total of six per panel**

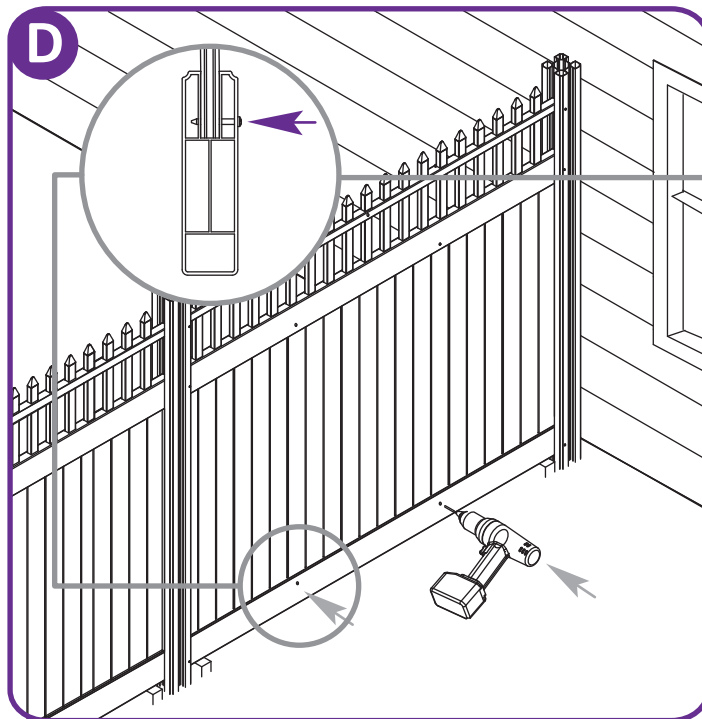


**VERY IMPORTANT**

*Screws must be inserted into the correct area of the rails/pickets/boards as indicated.*

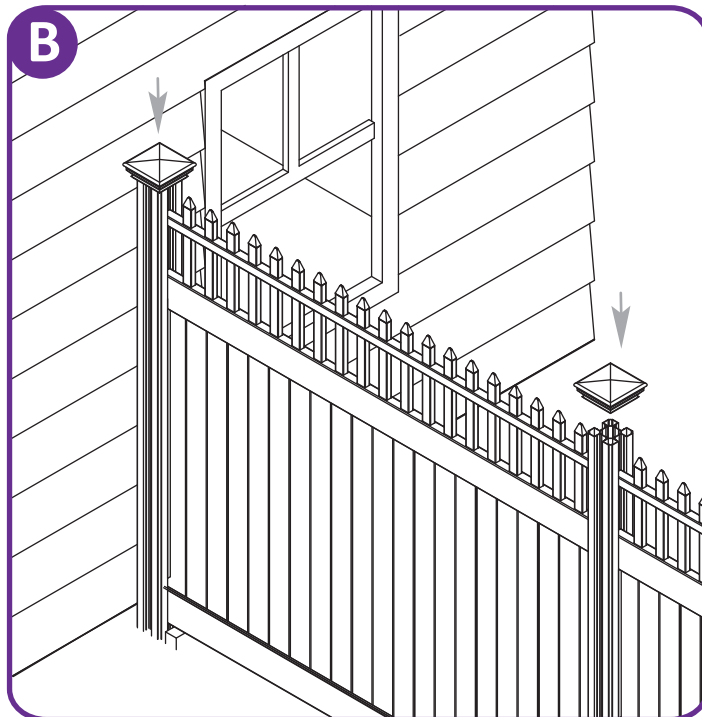
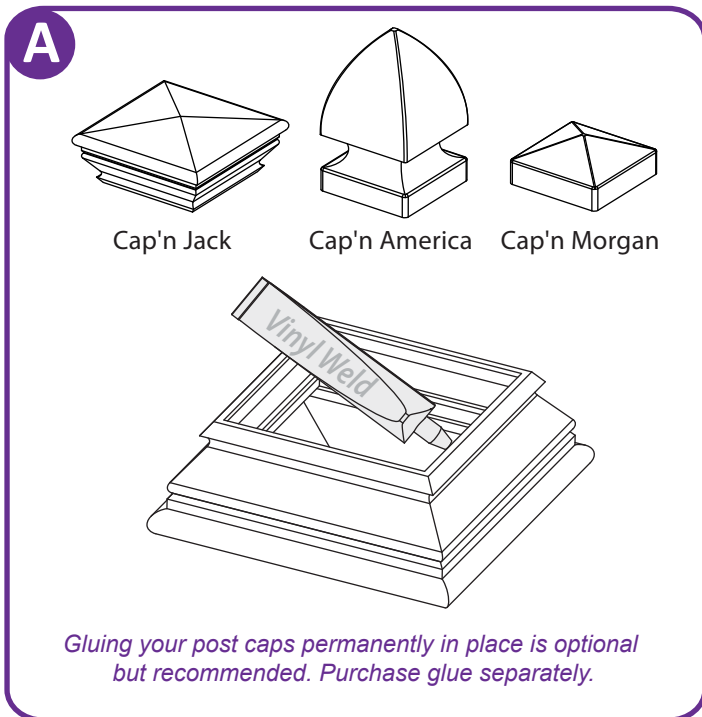


**C - Place one 1.25 inch screws in the small top rail and two 1.25 inch screws in the large top rail**



**D - Place two 1.25 inch screws into the bottom rail**

**STEP 12** Glue Caps on the Posts



**A - Put a small bead of vinyl glue or weld (purchased separately) along the inside of the cap**

**B - Place the glued cap on the vinyl post and allow to set for 5-10 minutes**

