

DV52J8700GP

Samsung Top-Load Gas Dryer

7.4 cu. ft. Capacity

Features

- Multi-Steam:
 - Steam Refresh
 - Steam Sanitize
 - Steam Wrinkle Away
- Vent Sensor
- Smart Care
- Stainless Steel Drum
- Interior Drum Light
- 15 Preset Drying Cycles
- 12 Options
- 5 Temperature Settings
- 3-Way Venting
- Moisture Sensor
- Drying Rack
- Reversible See-Through Door
- LED Display: Ice Blue

Convenience

- Child Lock
- Filter Check Indicator



Multi-Steam



Smart Care

Available Colors:



Platinum



White

Signature Features

MULTI-STEAM

- Steams away wrinkles.
- Helps remove odors and freshen clothes so you can spend less time ironing and less money at the dry cleaners

SMART CARE

- Troubleshoot with your smartphone.
- Perform a quick diagnosis of your washer and dryer right from your smartphone.*

*Available for iPhone® 4/4S/5/5S/5C and Galaxy S1®/S2®/S3®/S4®/NOTE®/NOTE® 2/NOTE® 3/NOTE® 4/NOTE® Edge.

MOISTURE SENSOR

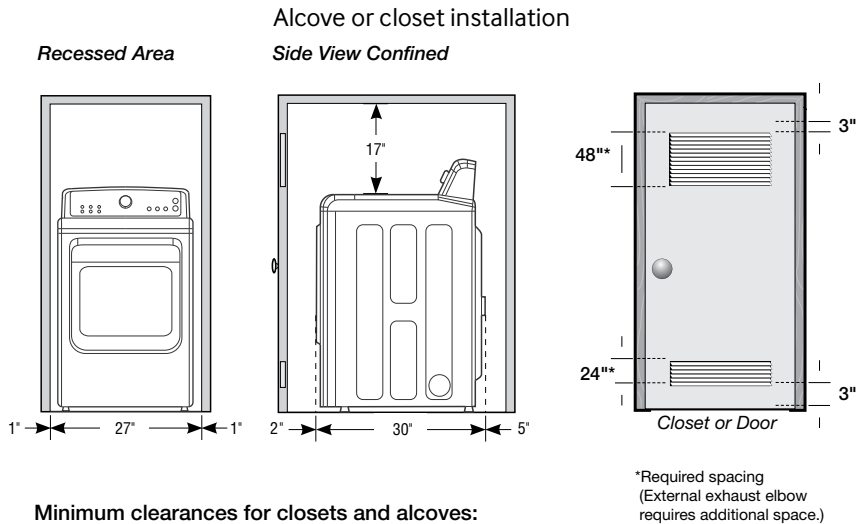
- Adjusts drying time, saves energy.
- Automatically turns off dryer when your clothes are dry.

SAMSUNG

DV52J8700GP

Samsung Top-Load Gas Dryer

Installing Your Dryer



Minimum clearances for closets and alcoves:

Sides – 1"
Top – 17"
Rear – 5"
Closet Front – 2"

The closet front must have two unobstructed air openings for a combined minimum total area of 72" with 3" minimum clearance on the top and bottom. A louvered door with equivalent space clearance is acceptable.

7.4 cu. ft. Capacity

3-Way Venting

15 Preset Dry Cycles:

Steam Refresh, Steam Sanitize, Steam Wrinkle Away, Normal, Eco Normal, Heavy Duty, Towels, Permanent Press, Bedding, Delicates, Wool, Active Wear, Time Dry, Air Fluff, Quick Dry

11 Options:

Mixed Load Bell, Wrinkle Prevent, Rack Dry, Adjust Time Up, Adjust Time Down, My Cycle, Child Lock, Sound On/Off, Anti-Static, Eco Dry, Smart Care, Drum Light

5 Temperature Settings:

High, Medium, Medium Low, Low, Extra Low

5 Dry Levels:

Very Dry, More Dry, Normal Dry, Less Dry, Damp Dry

2 Signal Level Settings:

On/Off

Warranty

One (1) Year All Parts and Labor
One (1) Year Control Board

Product Dimensions & Weight (WxHxD)

Dimensions: 27" x 46" x 30"

Weight: 125.7 lbs

Shipping Dimensions & Weight (WxHxD)

Dimensions: 29 1/2" x 48 3/16" x 31 3/16"

Weight: 134.5 lbs

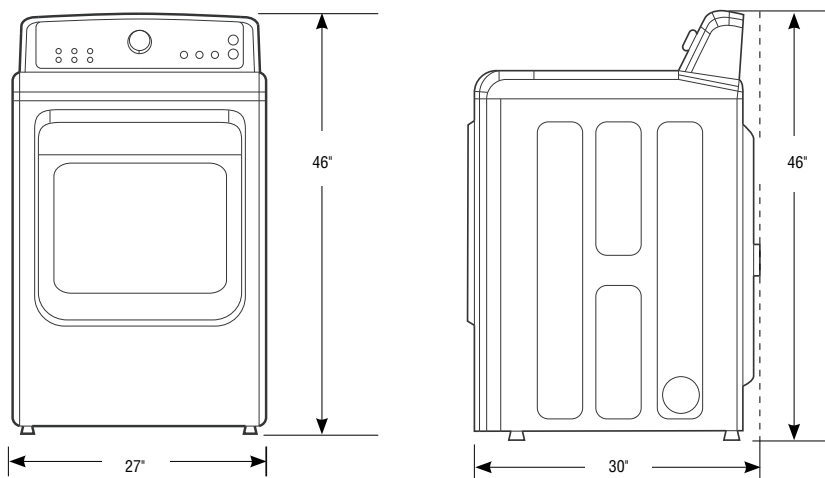
Gas	Model #	UPC Code
Platinum	DV52J8700GP	887276095820
White	DV52J8700GW	887276095837

Electric	Model #	UPC Code
Platinum	DV52J8700EP	887276095790
White	DV52J8700EW	887276095813

Matching Washer

Platinum	WA52J8700AP	887276095882
White	WA52J8700AW	887276095899

Dimensions



SAMSUNG

Actual color may vary. Design, specifications, and color availability are subject to change without notice. Non-metric weights and measurements are approximate.

©2015 Samsung Electronics America, Inc. 85 Challenger Road, Ridgefield Park, NJ 07660. Tel: 800-SAMSUNG. samsung.com.
Samsung is a registered trademark of Samsung Electronics Co., Ltd.