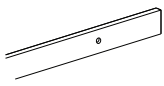
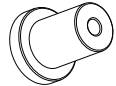


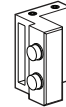
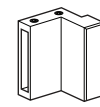





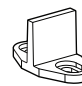
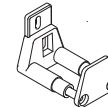

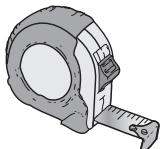

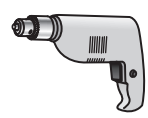



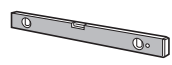

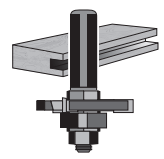


Main Components

<p>x1 Rail</p> 	<p>x5 Wall Spacer</p> 	<p>x2 Anti-jump Block</p> 	<p>x2 Straight Strap</p> 	<p>x1 Right Stopper</p> 	<p>x1 Left Stopper</p> 	<p>x5 5/16 (8mm x 60mm) Carriage Bolt</p> 
<p>x5 5/16 (8mm x 25mm) Anchor (Pre-mounted to Carriage Bolt)</p> 	<p>x5 5/16 (8mm x 90mm) Wall Screw</p> 	<p>x2 #8 (4.2mm x 25mm) Floor Screws</p> 	<p>x2 1/4 (6mm) Floor Anchor</p> 	<p>x1 Internal Floor-Mounted Door Guide</p> 	<p>x1 Optional Wall-Mounted Door Guide</p> 	<p>x2 Optional Floor-Mounted Door Guide</p> 

Tools Required

<p>Tape Measure</p> 	<p>Pencil</p> 	<p>Cordless Drill</p> 	<p>Phillips Screwdriver</p> 	<p>Wrench</p> 	<p>Allen Key</p> 	<p>Level</p> 
<p>Speed Square</p> 	<p>1/4" Mortise Router Head Required for Floor-Mounted Door Guide Installation</p> 					

IMPORTANT: BEFORE YOU BEGIN

IF INSTALLING DIRECTLY INTO A NON-CONCRETE WALL, DO NOT ATTEMPT TO INSTALL THE RAIL SOLELY TO THE DRYWALL OR ANY WALL SURFACE AS THIS MAY NOT SUPPORT THE WEIGHT OF THE RAIL AND MOUNTED DOOR. THE RAIL MUST BE INSTALLED ONTO A PIECE OF SOLID WOOD BLOCKING (SOLD SEPARATELY) USING MOUNTING SCREWS (ALSO SOLD SEPARATELY). ENSURE THE SOLID WOOD BLOCKING IS SECURED INTO THE STRUCTURAL SURFACE. USE A STUD FINDER WHERE NECESSARY TO LOCATE STUDS AND SECURE SAFELY. TYPICAL SOLID WOOD BLOCKING SHOULD BE 1" X 4" TO THE LENGTH OF THE RAIL.

NOTE, THE MAXIMUM THICKNESS OF THE DOOR MUST BE 1 3/8". IF INSTALLING WITH THE INTERNAL FLOOR-MOUNTED DOOR GUIDE, THE DOOR MUST BE MORTISED 1/4" WIDE X 3/4" DEEP CENTRALLY. AN OPTIONAL WALL-MOUNTED DOOR GUIDE AND FLOOR MOUNTED DOOR GUIDE HAVE ALSO BEEN PROVIDED FOR NON-MORTISED DOOR INSTALLATION.

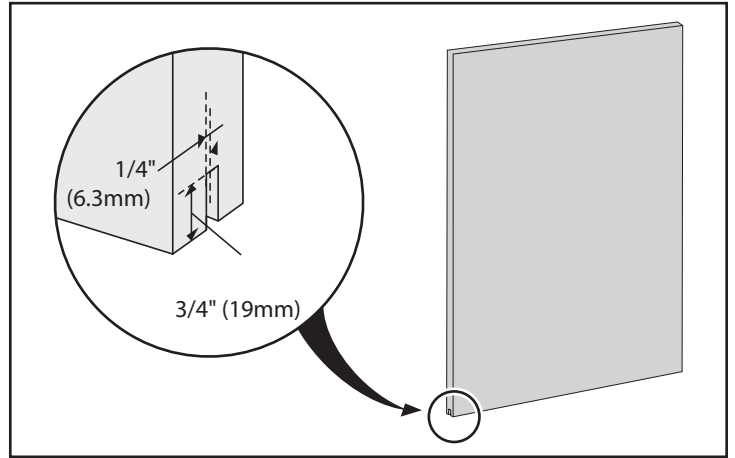
ASSEMBLY INSTRUCTIONS

Step 1. Door Preparation

Note, a second optional wall-mounted door guide has also been provided in this kit should you not wish to mortise your door.

Mortise 1/4" wide x 3/4" deep groove centrally to the bottom of the door for use with the floor-mounted door guide. This will ensure smoothness of door travel side-to-side and will prevent the door from swinging in and out.

If you prefer, you can also have your door mortised at the store you have purchased your door (typically, for an additional charge). See your store for details.

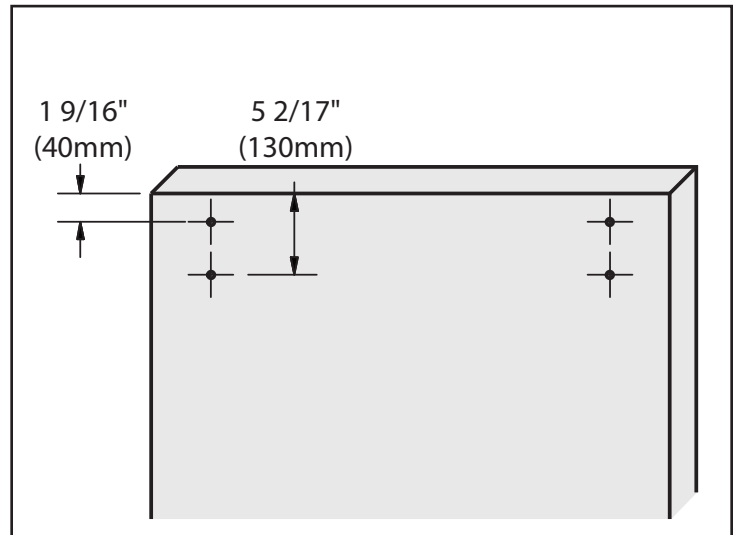


Step 2. Door Preparation – Strap Installation

Position each strap to the front of the door centre to the stile or a minimum of 2" from the edge of the door.

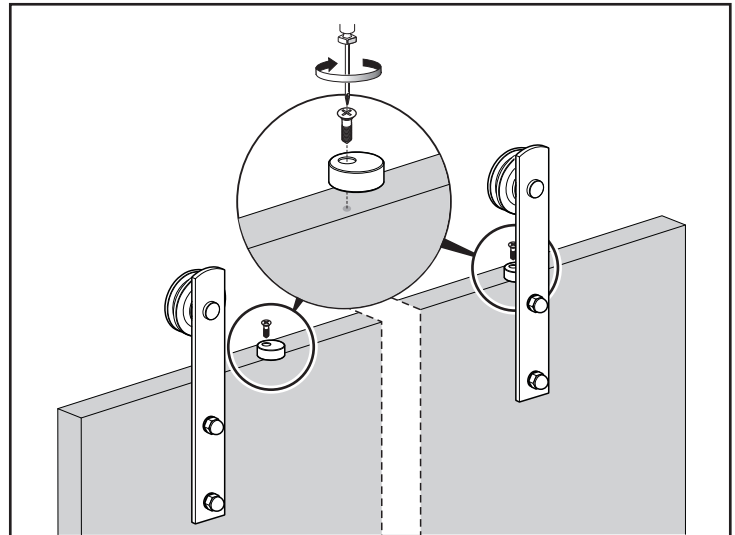
Measure 1 9/16" (40mm) from the top of the door to correctly position the first hole for the height of the straps.

Mark holes with a pencil and pre-drill 3/8" holes, then secure into place. Repeat for second strap.



Step 3. Door Preparation - Anti-jump block Installation

Position each anti-jump block at least 1" from the edge of the Straps. Tighten slightly to secure in place.



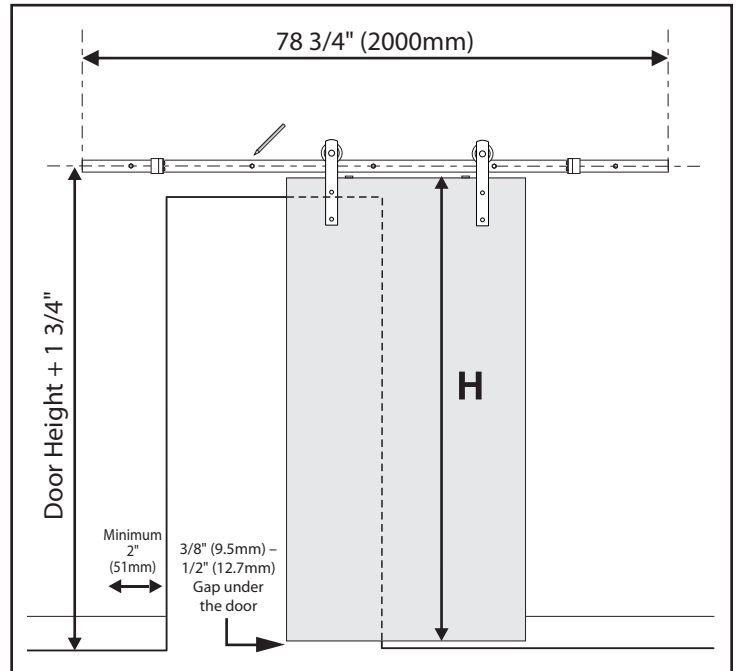
ASSEMBLY INSTRUCTIONS

Step 4. CONCRETE Wall Preparation

IF INSTALLING INTO DRYWALL – PLEASE PROCEED TO STEP 7.

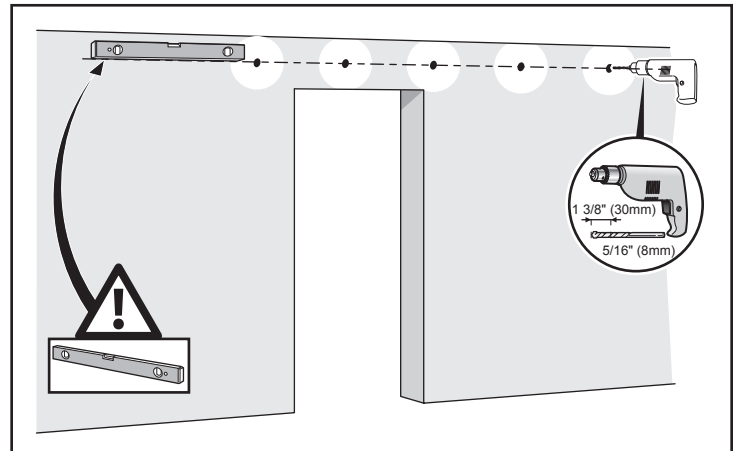
Position the rail by measuring up from the door height (H) + 1 3/4" to the centre of the track. Also ensure a gap of 3/8" - 1/2" at the bottom. Ensure the rail is level and leave a minimum of 2" from the end of the rail to the side of the opening (as shown).

If installing with an opening for 80" standard door size, remove the top trim and cut the side trim horizontally along the height of the opening.



Step 5. CONCRETE Wall Preparation

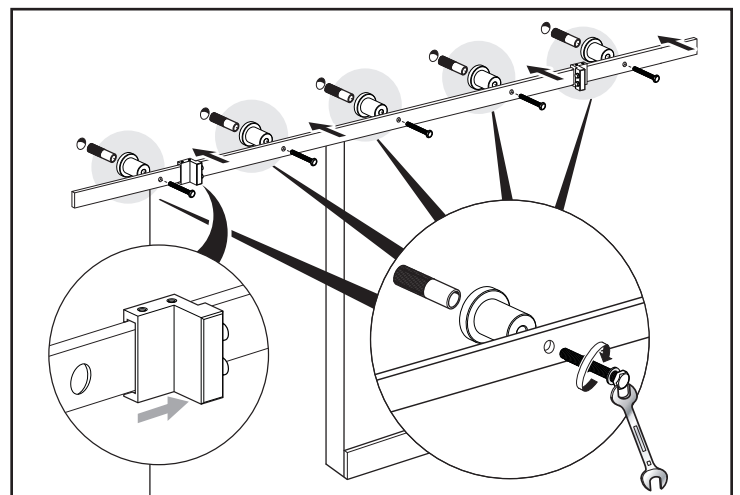
Position the rail in place ensuring that it is level, mark the holes on the rail using a pencil and pre-drill 5/16" holes into the concrete.



Step 6. CONCRETE Rail Installation

When installing directly into concrete, insert using the provided anchors and carriage bolts (with washers). Ensure to un-screw to separate the carriage bolt and anchor to install correctly, securing with a wrench.

Ensure to insert both stoppers either side of the rail inside the first hole.



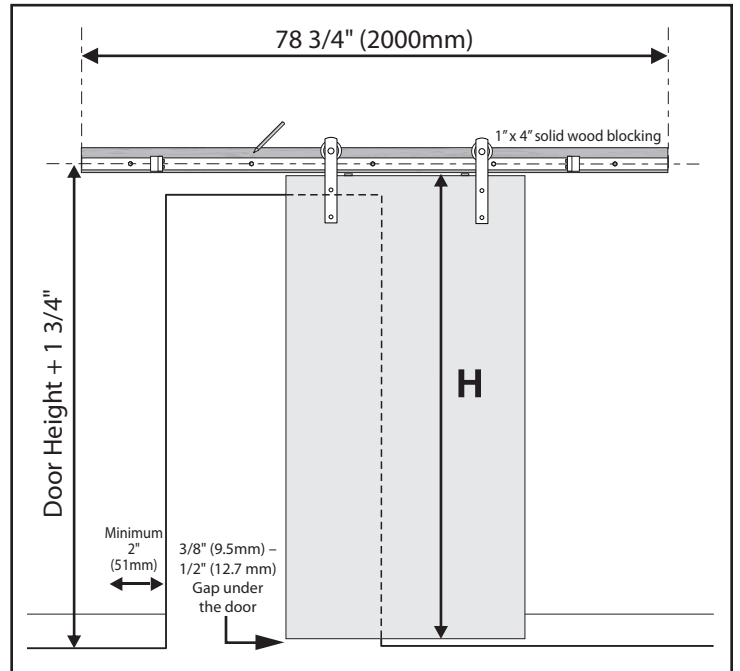
ASSEMBLY INSTRUCTIONS

Step 7. DRYWALL Wall Preparation

When installing into drywall, a piece of 1" x 4" solid wood blocking is required to be mounted to the wall before proceeding with the rail installation.

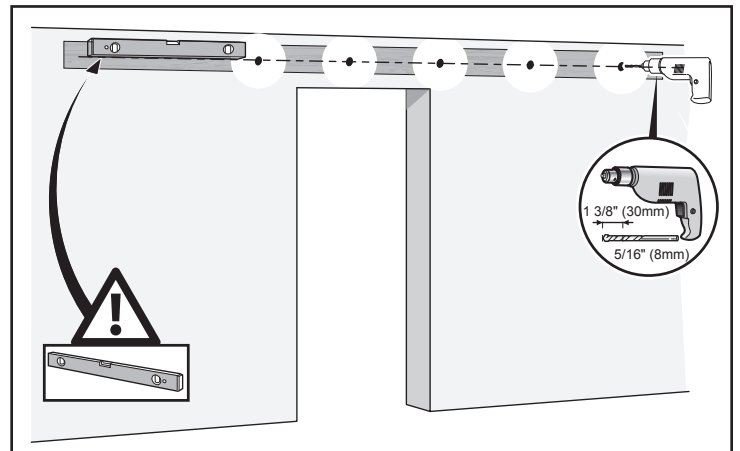
Position the solid wood blocking by measuring up from the door height (H) + 1 3/4" to the centre of the track. Also ensure a gap of 3/8" - 1/2" at the bottom. Lastly, ensure the solid wood blocking is level and leave a minimum of 2" from the end of the blocking to the side of the opening (as shown).

If installing with an opening for 80" standard door size, remove the top trim and cut the side trim horizontally along the height of the opening.



Step 8. DRYWALL Wall Preparation

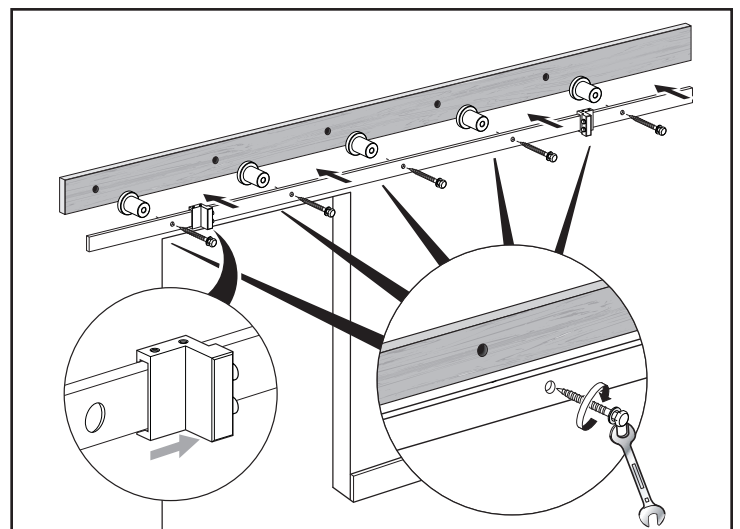
Position the rail on top of the wood blocking ensuring levelness, mark the holes using a pencil and pre-drill 5/16" holes into the wood blocking.



Step 9. DRYWALL Rail Installation

When installing into the solid wood block and wall, insert using the provided wall screws. Align each spacer to the rail holes, inserting spacers and screws (with washers), securing with a wrench.

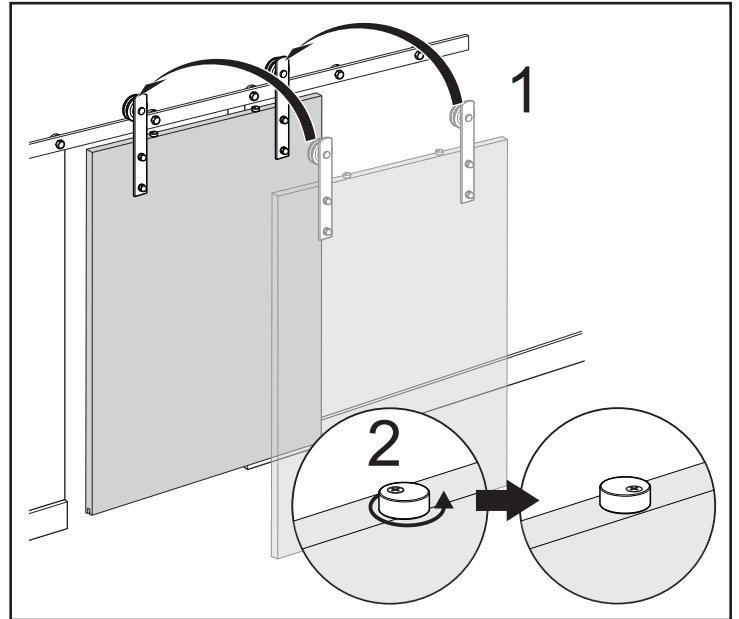
Ensure to insert both stoppers either side of the rail inside the first hole.



ASSEMBLY INSTRUCTIONS

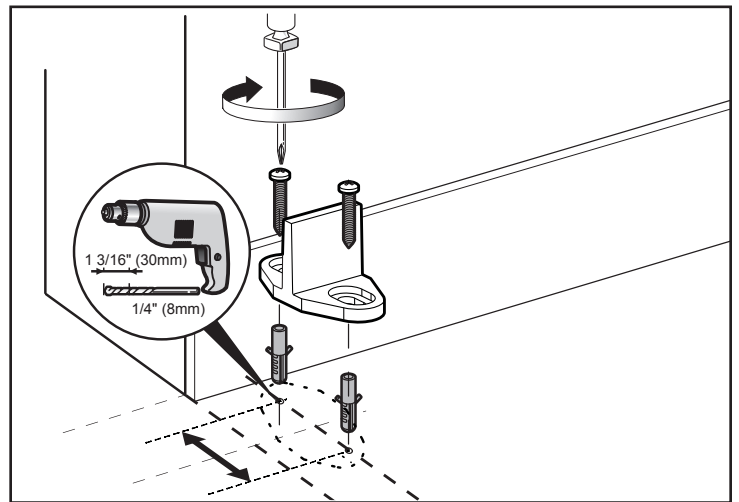
Step 10. Hanging the Door

Place the assembled door onto the secured rail and tighten each anti-jump block. Ensure all parts are operating correctly by sliding the door side-to-side.



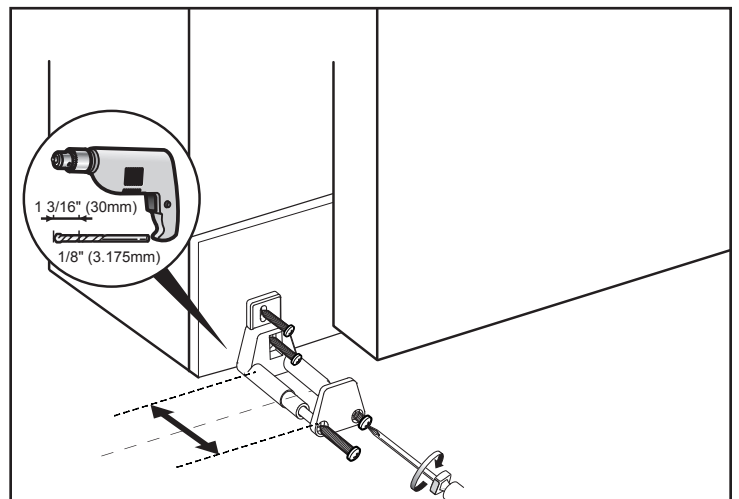
Step 11. Floor-Mounted Door Guide Installation

Once the door is plumb, position the floor-mounted door guide inside the mortised door, line up close to the opening. Slide the door side-to-side to ensure functionality for final placement then mark holes with a pencil and pre-drill 1/4" holes. If drilling directly into a concrete floor, use the provided anchors.



Step 12. OPTIONAL Wall-Mounted Door Guide Installation

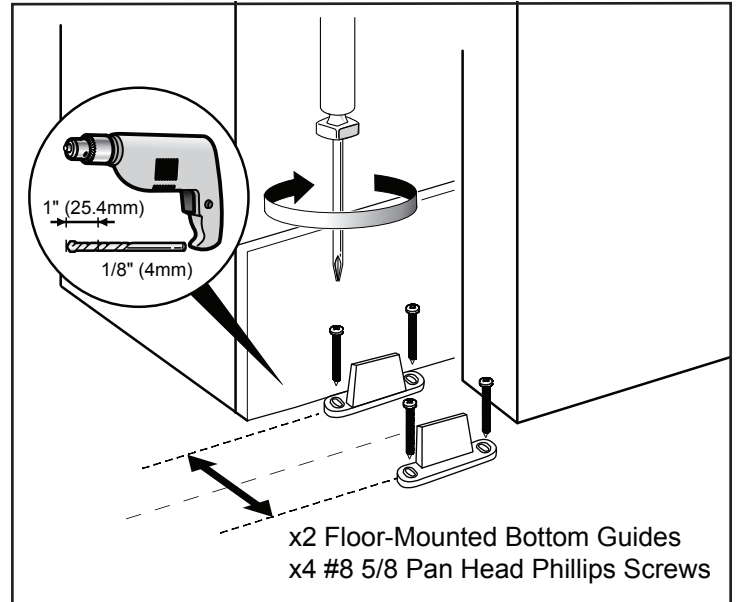
Line up close to the opening, position and secure the wall-mounted door guide directly into the wall or trim, extending the guide as necessary to allow the door to travel side-to-side. Tighten to secure in place.



ASSEMBLY INSTRUCTIONS

Step 13. OPTIONAL Floor-Mounted Door Guide Installation

Line up close to the opening, position both the floor-mounted door guides to allow the door to travel side-to-side on both sides of the door. Screw into place directly into the floor.



Step 14. Stopper Installation

Slide the door closed and to correct position of both stoppers. Using the provided Allen key, tighten into position to complete the installation of the Barn Door Kit.

