

| | | | | | | |
|-----------------------------------|---|--|---|--|---|---|
| HOME DECORATORS COLLECTION | Installation Instructions Engineered Bamboo HDF Flooring For Assistance, Call: 1-877-630-1800 HomeDepot.com/HomeDecorators | Products Description Engineered Bamboo HDF Click-Lock Joints | Grade Levels Above Grade / On Grade Below Grade | Warranty Limited Lifetime Residential | Installation Method Floating Full Spread Glue Covers 13 sq. ft./Case | Model: HL628H Online: 742 412 Store: 1001 977 157 |
|-----------------------------------|---|--|---|--|---|---|

WARNING: CALIFORNIA RESIDENTS: This product can create wood dust and emit formaldehyde of which are known to the State of California to cause cancer.

CAUTION: ASBESTOS IN EXISTING FLOOR: Home Decorators Collections do not contain asbestos. Existing installed resilient flooring and asphaltic adhesive may contain asbestos fillers or crystalline silica. Do not sand, dry sweep, dry scrape, drill, saw, bead-blast, or mechanically chip or pulverize existing resilient flooring, backing, lining felt, asphaltic "cutback" adhesive or other adhesive. See "Recommended Work Practices for Removal of Resilient Floor Coverings" (rflc.com) for detailed information and instructions on removing all resilient covering structures.

CAUTION: WOOD DUST: Sawing, sanding and machining this product can produce wood dust. It can cause respiratory, skin and eye irritation. Avoid prolonged exposure to wood dust. Power tools should be equipped with a dust collector. If possible, perform wood dust generating activities outdoors. If high dust levels are encountered, use an appropriate NIOSH-designated dust mask.

Safety and Health Precautions

Power tools can be dangerous. Operate in strict accordance to manufacturer's operating instructions and safety precautions. Unsafe and improper use can cause serious injuries. Avoid inhalation and exposure to wood dust by mechanical means and by wearing personal protective equipment. Wear appropriate personal protective equipment (PPE) which includes NIOSH or OSHA approved dust masks, safety goggles and work gloves.

Warranty

This flooring product comes with a manufacturer Limited Lifetime Warranty. The warranty applies to the original purchaser of the flooring and guarantees that the surface will not wear-through or peel off. Bamboo is a natural product which may lead to some color variation from board to board. Installation of the product confirms your acceptance of the product. Failure to follow Pre-Installation and Installation guidelines will void the manufacturer's warranty. The warranty does not cover damage from improper use, care or maintenance, including scratching, exposure to moisture and humidity, water damage, denting, fading, or staining.

Pre-Installation

OWNER/INSTALLER RESPONSIBILITY

The owner is advised to be at home during the installation for consultation/direction. The owner and installer should discuss installation and layout to maximize satisfaction. If this is not possible, consultation should be done prior to installation. Installers should be familiar with installation guidelines from National Wood Flooring Association (woodfloors.org). The owner/installer assumes all responsibility for product quality of completed installation.

PERFORM PRE-INSTALL INSPECTION. FOR CLAIMS PURPOSES, OPEN AT A MINIMUM 4 BOXES FOR PRODUCT INSPECTION. INSPECT ALL OF THE PLANKS IN THESE BOXES CAREFULLY. EXAMINE FLOORING FOR COLOR, FINISH, AND QUALITY. IF YOU DISCOVER THAT PRODUCTS ARE DEFECTIVE, OR IF MATERIAL IS QUESTIONABLE, YOU SHOULD CONTACT THE RETAILER. IF YOU ARE SATISFIED, PROCEED WITH INSTALLATION. INSTALLATION OF PLANKS CONSTITUTES YOUR ACCEPTANCE OF THE PRODUCT.

Prior to installation, rack up planks from several boxes to ensure uniform distribution of colors, shades and characters in the installed flooring. Planks having similar widths should be placed together in the same row to minimize gaps between boards.

Bamboo floors are natural products containing natural variations in color, tone, grain, streaks, nodal marks and other characteristics found from plank to plank. They are normal and it does not mean the product is defective. Purchase flooring to be installed in one large area at the same time. Product purchased at a later time than the first purchase may vary beyond your expectations.

Accessories, trims and moldings are manufactured to coordinate with the varied appearances of the floor planks. Any exact matches are coincidental. Non-matching accessories are not defective products.

This product is manufactured according to strict quality standards. In the event that defects are discovered in the field, the industry standards permit a defect tolerance not to exceed 5%. Order an additional 5% extra for cutting wastage and grinding allowances (10% for diagonal installations).

During installation, inspect the planks continuously. Defects that can be seen from a standing position should be cut off or held out. Installing defective planks implies acceptance.

Squeaking and clicking noises are the result of interactions among flooring, joists and subfloors when they move. Limiting the movements of the flooring system usually eliminates most of these noises. Sometimes, it is impossible to eliminate them completely and minor squeaking or clicking noises are to be accepted as normal flooring phenomenon.

Minor scratches can generally be repaired with the use of putty, stain or filler. It is an industry standard practice of flooring installation and should be accepted as normal by the home owner.

To assure the warranty is not inadvertently voided, before proceeding with any activity that is not covered in this manual, please contact our Customer Support Team at 877-630-1800.

ACCLIMATION AND IN-SERVICE CONDITIONING

NOTE: To obtain accurate moisture content readings, one must use a moisture meter designed for use with bamboo flooring.

Acclimation is the process of adjusting (conditioning) the moisture content of bamboo flooring to the environment in which it is expected to perform. The bamboo flooring is fully acclimated when its moisture content and dimensions (width and length) are stable. For example, the averaged dimensions and moisture content remain constant for 3 consecutive days. Bamboo flooring must acclimate for as long as necessary to reach fully acclimated stage. Acclimation time varies depending on geographical area, interior climate control and time of the year. Minimum acclimation time is 72 hours. The recommended time for this flooring is 7 - 10 days.

Open the box and plastic wrap. Elevate cartons from the floor by placing them on 2x2 in. lumber or equivalent. Acclimation temperature range is 60°F-80°F and relative humidity (RH) of 40%-55%. Conditions in which the floor was acclimated should be maintained continuously thereafter.

CONCRETE SUBFLOOR REQUIREMENTS

- Concrete subfloors must:
 - Have minimum rated strength of 3000 psi.
 - Be level to within 1/8 in. in a 6 ft. span or 3/16 in. in a 10 ft. span; no bumps or low spots. High spots can be removed by grinding; depressions can be filled with patching compound formulated for use in floor installation.
 - Be clean; no construction debris, soil, mud and any other objects on or adhering to the floor; if necessary, scrape and sweep away before the installation; no protrusions of nails, debris, metals should remain.
 - New concrete slab must cure for at least 60 days. It must have a minimum 10 mil polyethylene sheet between the ground and the concrete.
 - Be free from moisture related conditions which can damage the installed flooring.

CONCRETE MOISTURE

Test all concrete subfloors for moisture content and document the results. Visual checks are not reliable. Perform tests at locations around exterior doorways, near walls containing plumbing, near foundation walls and in the center of the room. Minimum sample size is 3 samples per 1000 sq. ft. of area and one test for every additional 1000 sq. ft. thereafter.

- Moisture content should meet one of the following criteria:
- 4.5% when tested using Traxem Concrete Moisture Encourter.
 - Less than 3 pounds of moisture per 1000 sq. ft. per 24 hours when using Calcium Chloride test (ASTM F 1869).
 - 75% when using Relative Humidity Testing (ASTM F-2170).

NOTE: Concrete moisture content may be acceptable the time of the test. These tests do not guarantee a perpetual "dry" concrete slab. The concrete slab moisture content can vary at other times of the year. We are not responsible for moisture-related damage to installed flooring.

LIGHT WEIGHT CONCRETE

Light weight concrete is concrete with a rated strength that is less than 3000 psi. Perform a quick check by drawing a nail across the top. If it leaves an indentation, it is probably light concrete. For glue-down applications, the concrete must possess shear strength greater than the glue. If concrete rated psi is unknown, contact the adhesive manufacturer for guidance.

WOOD SUBFLOOR REQUIREMENTS

The subfloor must be clean; no presence of construction debris, soil, mud and any other objects on or adhering to the floor; no protrusions of nails, debris, or metals should remain. If necessary, scrape and sweep the subfloor before the installation.

The subfloor must be structurally sound and stable; no movements or squeaks; no loose panels or loose nails; no signs of ply de-lamination or other damages. Repair all shortcomings before installation.

The subfloor must be flat and at least 3/4 in. thick; no visible bumps or low spots; the subfloor should be flat to within 1/8 in. in 6 ft. span or 3/16 in. in 10 ft. span; test for moisture using a reliable moisture meter. Perform tests at locations around exterior doorways, near foundation walls, near walls containing plumbing lines and in the center of the room. Measure 20 locations per 1000 sq. ft. Moisture content of the subfloor should be less than 12%. Moisture content difference between the subfloor and flooring should be 2% or less.

PLYWOOD OR ORIENTED STRAND BOARD (OSB) SPECIFICATIONS

On truss/joist spacing of 16 in. (406 mm) O/C or less, the industry standard for single-panel subflooring is a minimum 5/8 in. (19.32 in., 15.1 mm) CD Exposure 1 plywood subfloor panels (CD Exposure 1) or 23/32 in. OSB Exposure 1 subfloor panels, 4 ft. x 8 ft. sheets. Expansion gap between panels should be 1/8 in. (3 mm). If panels are not tongue and grooved and there is not sufficient spacing or is inadequate, cut in the required spacing with a circular saw. Do not cut in expansion space on tongue and groove panels.

Helpful Pointers

GENERAL TIPS

- Make sure your work area is well lit. Good visibility ensures that color is consistent and that visually defective planks are detected and removed.
- The minimum length of the first and last plank is 12 in. If the last plank will be less than 12 in., adjust the length of the first plank. The remainder of the last plank can be used as a starter board on the following rows.
- Using a shorter piece at undercut door jams will help when fitting flooring in place.

GLUE-DOWN INSTALLATION TIPS

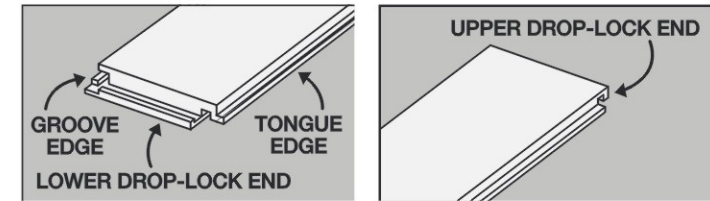
- ALWAYS REFER TO THE SPECIFIC INSTRUCTIONS ON THE FLOORING ADHESIVE LABEL. The information given here is for typical installations. Adjust it according to adhesive manufacturer's instructions.
- Dry-lay means the glue has to set before placing floor planks in it. Wet-lay means the glue does not need to set before placing flooring on it.
- Use a trowel design specified by the adhesive manufacturer.
- Continuously check the transfer of adhesive THROUGHOUT the installation process. If the adhesive no longer transfers to the back of the flooring material, it must be removed and new adhesive applied.
- Work your way out of the room.
- After the installation is completed, keep the floor free from daily foot traffic for a minimum of 24 hours to allow adhesive to properly cure.

CUTTING THE LAST ROW TO WIDTH

- Most often the entire length of the last row will need to be cut so that it is narrow enough to fit the remaining space.
- Measure the distance between the floor face edge (exclude the tongue) to the wall. Subtract 3/8 in. from this measurement for expansion gap. Draw a line. Cut through the line. Discard the excess piece. Proceed with the installation.

Preparing for Installation

- Ensure subfloors are clean.
- Understand the locking part of the flooring plank. The tongue is the thinner extension coming out of the side of the planks. The groove is the wider indentation coming out of the other side of the floor plank. The ends do not have tongue and grooves. There is an upper drop-lock end on one side and a lower-drop lock end on the other side.
- Remove the existing base, shoe molding or threshold carefully. They can be used to cover the 1/2 in. expansion gap left around the edge of the room. Undercut doors and casings using a hand saw laid flat on a piece of scrap flooring.
- Install the underlayment (if used) parallel to the flooring according to the underlayment manufacturer instruction. Any overlap (top) should be on the same side as the groove of the flooring so that the floor planks will slide smoothly into place. Tape all seams. Secure the underlayment material as necessary to prevent excessive movement.

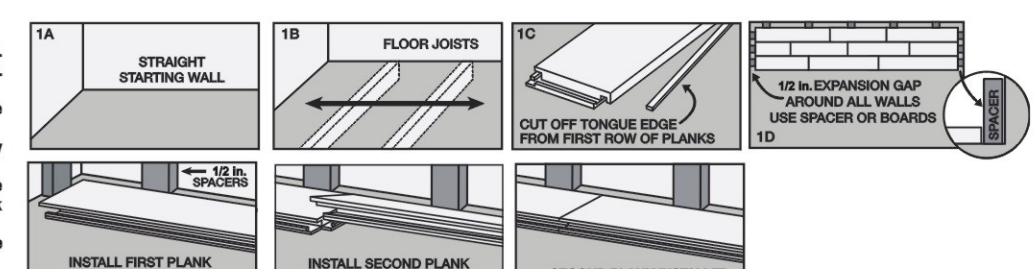


- Lay out several cartons. Randomly rack planks to ensure good color and shade mixture and end joint spacing. Minimum end stagger is 6 in. Inspect plank quality and grading.
- Lay out trim moldings in advance and find planks whose shade closely matches. Set these aside for future use.

Floating Installation

1 INSTALLING THE FIRST ROW

- When possible, begin installation from the straight wall. If possible, install the floor perpendicular to the floor joists.
- Cut off the tongue from the first row planks.
- Allow a 1/2 in. expansion gap between the plank and the walls. Use spacers or board.
- Place the first plank with the groove sides facing away from the walls.
- Place the upper drop-lock end of the second plank on the lower drop-lock end of the first plank. The ends do not click lock. Maintain a straight edge along the rows.
- Continue placing the succeeding planks to complete the row until you come to the last plank.

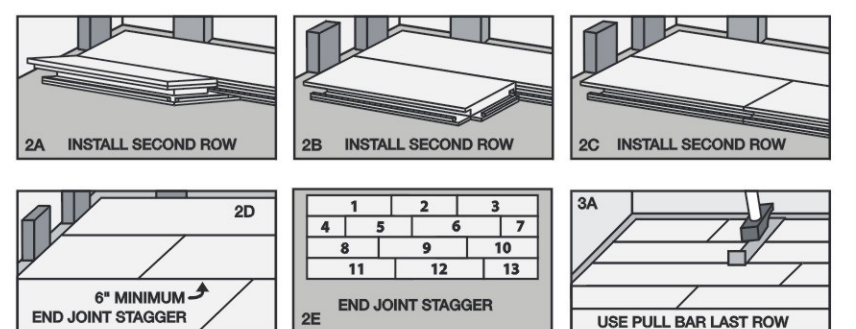


| | | | | | | |
|-----------------------------------|---|--|---|--|---|---|
| HOME DECORATORS COLLECTION | Installation Instructions Engineered Bamboo HDF Flooring For Assistance, Call: 1-877-630-1800 HomeDepot.com/HomeDecorators | Products Description Engineered Bamboo HDF Click-Lock Joints | Grade Levels Above Grade / On Grade Below Grade | Warranty Limited Lifetime Residential | Installation Method Floating Full Spread Glue Covers 13 sq. ft./Case | Model: HL628H Online: 742 412 Store: 1001 977 157 |
|-----------------------------------|---|--|---|--|---|---|

Floating Installation (continued)

2 INSTALLING THE SECOND AND REMAINING ROWS

- Cut off a section of the first plank lengthwise to ensure 6 in. joints staggering.
- Hold the plank with the tongue facing the previous row. Keep it at about a 30° angle.
- Insert the tongue into the groove.
- Make sure the tongue is snugly and securely engaged in the groove by exerting a constant pressure in the direction of the groove.
- Maintain the pressure while pressing the plank flat to lock the edge joints.
- If there is a slight along the edge joints, fix it with the help of a tapping block and a plastic mallet. Use caution to prevent impact damage.



3 INSTALLING THE LAST ROW

Use the pull bar to draw the last row to fit tightly to the previous row (3a).

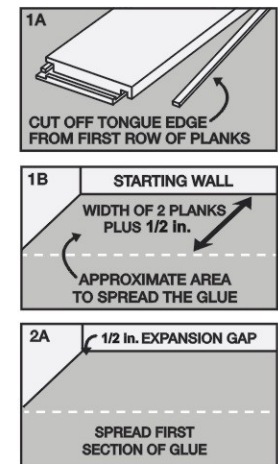
Glue Down Installation

IMPORTANT: ANY EXCESS GLUE WHICH SEEPS ONTO THE SURFACE OF THE FLOOR MUST BE REMOVED IMMEDIATELY WITH MANUFACTURER'S RECOMMENDED ADHESIVE REMOVER.

The steps used in the glue down method are very similar to the floating installation method. The only difference is the application of the glue to the subfloor prior to installation. For more detailed instructions, see the floating installation section.

1 SETTING UP

- Cut off the tongue from the long edge of the boards for the first row.
- Ensure an expansion gap by marking off a starting line 1/2 in. away from the starting wall. Use a board or spacers if available during installation.

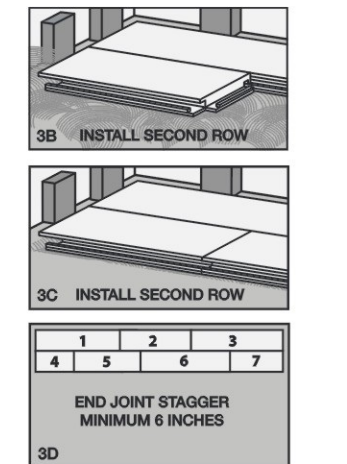


2 SPREADING THE GLUE

- Spread the glue from the starting line out in the direction of the center of the room, the width of two planks. Or spread only enough glue to install what can be set within 45 minutes (15 minutes of open time and an additional 30 minutes for actual installation. Usually about two rows width coverage). Different manufacturers may require different open and set times.
- Repeat with the next two rows, etc.

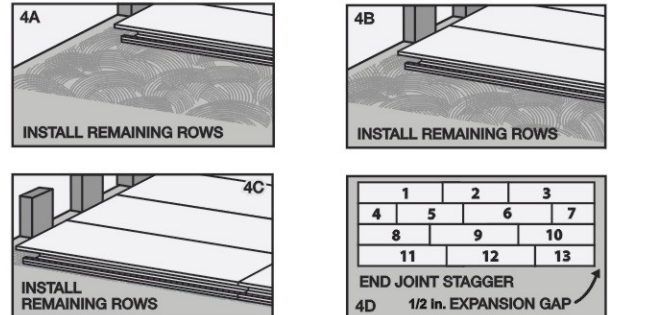
3 INSTALLING THE FIRST TWO ROWS

- Install the first row of starter planks.
- The last plank of the first row may have to be cut to size. Discard remainder because the tongue has been removed.
- Install the second row. Make sure there is a random staggering at the end joints of at least 6 in. apart.
- Be attentive to staggering the ends of the boards correctly in adjacent rows to avoid clustering end joints.
- Any glue that comes in contact with the face of the board should be removed immediately using adhesive remover formulated for the glue being used. Follow adhesive manufacturer's instructions on adhesive removal.



4 INSTALLING THE REMAINING ROWS

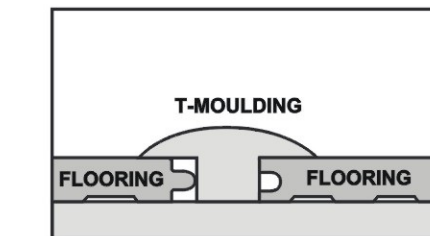
- Spread another section of glue. Never spread more than can be covered before the adhesive is set. If adhesive is set and will not transfer to the back of the plank, scrape off the adhesive and apply fresh adhesive.
- Continue to install the next rows. Make sure there is a random staggering at the end joints of at least 6 in. apart.
- Do not forget the 3/8 in. space for expansion between the floor and the walls.
- Repeat the process for additional rows.
- Make sure there is 100% contact between the wood floor and the adhesive.



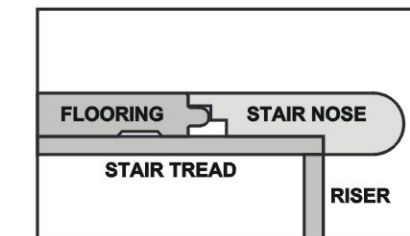
Completing the Installation

- Clean the floor.
- Use matching putty where necessary.
- Install or reinstall all wall trim pieces. Nail them through the wall, but not to the subfloor to avoid restricting the expansion gap.
- Install transition trim pieces. Nail them to the subfloor, not the flooring.
- At doorways, transitions should be used to protect the edges of the floor and to provide a decorative transition from one floor type to another.
- If the floor is to be covered, use a breathable material such as cardboard. Do not cover with plastic.

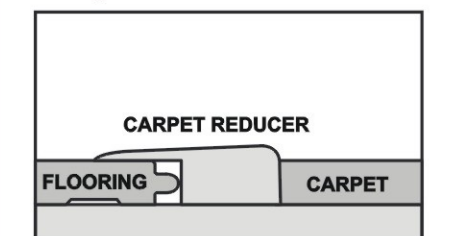
T-Molding: Used to create a transition between floor coverings of similar heights or create an expansion gap.



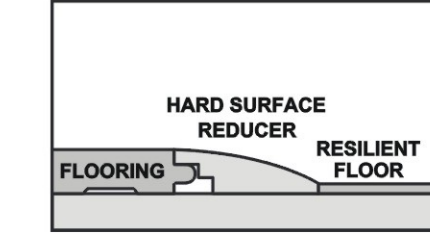
Stair Nose: Used in conjunction with flooring installed on stair steps or finished edges of a higher level floor like in a sunken living room.



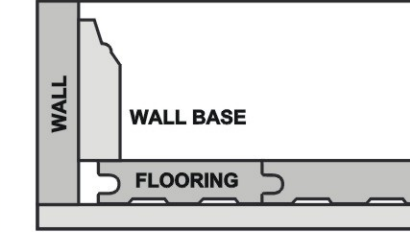
Carpet Reducer (also called Baby Threshold or End Cap): Used to transition floor coverings of differing heights. This reducer strip is also commonly used to border a fireplace, sliding glass door and other exterior door jams.



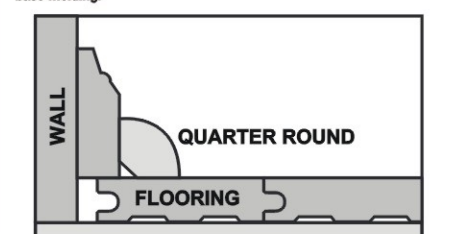
Hard Surface Reducer: Used to transition to another hard surface flooring of different heights such as tile, vinyl, or concrete.



Wall Base: Used to give a finished look at the base of the walls. It can be used with or without Quarter Round.



Quarter Round: Used to cover the expansion space between the wall base and your flooring. It can also be used to make smooth transitions between the floor and cabinetry. It can be used with or without wall base molding.



Care and Maintenance

DAILY MAINTENANCE

- Sweep, dust, mop, or vacuum your floor regularly to remove any particles that could cause abrasion or scratch your floor.

CAUTION: Vacuums with a beater bar or power rotary brush head can damage a floor and should never be used.

- Use a damp mop to remove spots and soil. Apply appropriate cleaning solution to the cleaning cloth / mop. Do NOT apply directly to the floor.
- For lightly soiled area, clean with distilled water.
- For moderately soiled areas, use a mild solution of isopropyl (rubbing) alcohol and distilled water. Dilute the mixture by mixing one part alcohol and 2 parts distilled water. For tougher spots, use a higher concentration of isopropyl alcohol and distilled water. For extreme cases, a solution of nail polish remover and distilled water can be used.
- HINT:** For best results, clean the floor in the same direction of the planks. When the cleaning cloth/mop becomes soiled, rinse or replace it with a clean one. Following up with a clean, dry cloth will remove residual streak marks and spots.
- Do NOT leave any amount of liquids (water, juice, soft drinks, spills, etc.) on the floor. Clean any wet spots immediately.
- Do NOT use a steam cleaner.
- Do NOT use a wet mop or douse the floor with water or liquid cleaners. Liquid can seep between the cracks and cause moisture damage.
- Do NOT use any cleaning agents containing wax, oil or polish. Left over residue will form a dull film.
- Do NOT use steel wool or scouring powder which will scratch the floor.

BRANDED OR OFF-THE-SHELF FLOOR CARE PRODUCTS

If none of the above are effective and you choose to use a store bought product, test the product in a non-conspicuous area (i.e., closet, corner, or scrap piece) for potential adverse side effects.

PREVENTATIVE MAINTENANCE

- Protect your floor when using a dolly for moving furniture or appliances. Protective sheets and/or plywood may be needed. Never slide or roll heavy furniture or appliances across the floor.
- Place protective pads beneath furniture legs and other heavy objects.
- Avoid excessive exposure to water from being tracked in during periods of inclement weather.
- Minimize abrasive material and dirt by placing mats on both sides of exterior doors and by using area rugs in high-traffic areas.
- Rearrange furniture and rugs periodically to avoid uneven color and shade changes from light exposure.
- Use protective mats beneath rolling chairs and keep furniture casters clean.
- Keep pets' nails trimmed.
- Remove shoes with cleats, spikes or exceptionally pointy heels before walking on the floor.

CLIMATE MAINTENANCE

- Care should be taken to control humidity levels within the 40% - 55% range. Flooring, especially hardwood and bamboo, dimensions will be affected by varying levels of humidity.
- Dry Climates:** A humidifier is recommended to maintain humidity levels. Wood stoves and electric heat tend to create very dry conditions during the winter months this also will cause shrinkage in flooring.
- Humid, Wet Climates:** By using an air conditioner, heater, or dehumidifier proper humidity levels can be maintained to prevent excessive expansion due to high moisture content.

FLOOR REPAIR

- Very light and small surface scratches can be repaired with a staining "touch up" pen of the appropriate color.
- Slightly deeper scratches can be repaired by means of colored putty or stains. Fill the scratches with the putty. Level with putty knife. Wipe off excess putty.
- Very deep scratches may require the replacement of the planks.