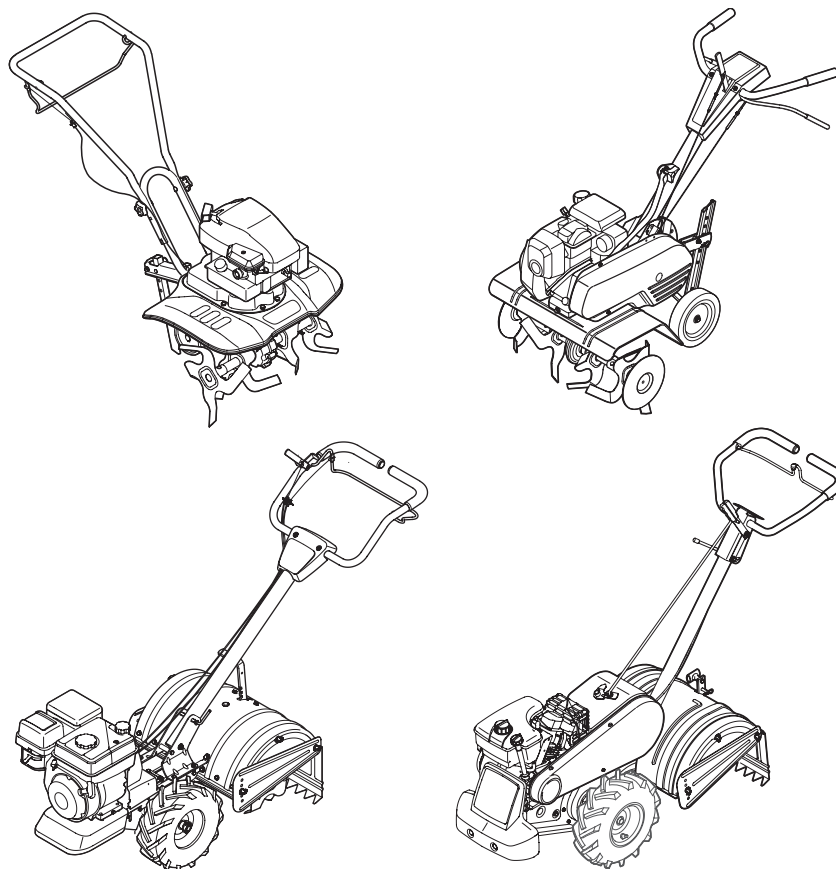


---

# ILLUSTRATED PARTS MANUAL



## Tillers / Cultivators

---

MTD LLC, P.O. BOX 361131 CLEVELAND, OHIO 44136-0019

---

# To The Owner

## Thank You

Thank you for purchasing an MTD Tiller/Cultivator. It was carefully engineered to provide excellent performance when properly operated and maintained.

All information in this manual is relative to the most recent product information available at the time of printing. Please be aware that this Illustrated Part's Manual may cover a range of product specifications for various models.

Components listed and/or illustrated in this manual may not be applicable to all models. We reserve the right to change product specifications, designs and equipment without notice and without incurring obligation.

Throughout this manual, all references to *right* (RH) and *left* (LH) are observed from the operating position.

---

## Table of Contents

<a href="#">Model Series 200 .....</a>	<a href="#">4</a>
<a href="#">Model Series 300 .....</a>	<a href="#">6</a>
<a href="#">Model Series 400 .....</a>	<a href="#">10</a>
<a href="#">Model Series 450 .....</a>	<a href="#">16</a>
<a href="#">Engine Model 170-AU.....</a>	<a href="#">22</a>
<a href="#">Engine Model 1X65TU.....</a>	<a href="#">32</a>
<a href="#">Engine Model 170-AUA .....</a>	<a href="#">42</a>

---

## Record Product Information

To ease in ordering replacement parts, please locate the model plate on the equipment and record the information in the provided area to the right. You can locate the model plate by looking beneath the seat.

### MODEL NUMBER

--	--	--	--	--	--	--	--	--	--	--	--

### SERIAL NUMBER

--	--	--	--	--	--	--	--	--	--	--	--

---

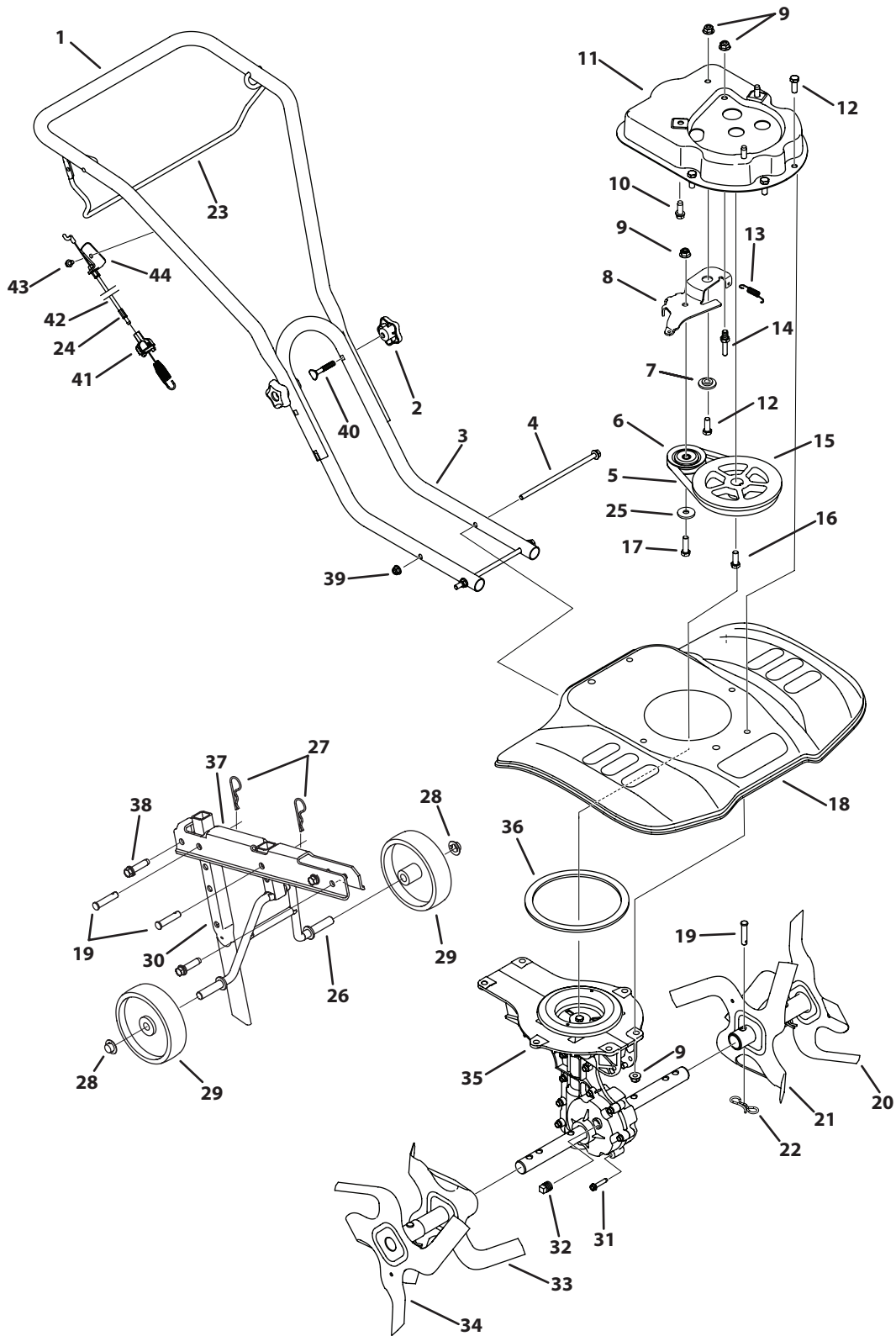
## Painted Parts

When ordering painted service parts, a four digit color suffix must be added to the part number (e.g. 783-XXXXX-0637). Please refer to the table below for current color codes:

0637	Black	0674	Yellow (Yard-Man)
0709	Dark Green (Bolens, Yard-Man)	0650	Metallic Red (White Outdoor)
0662	Oyster Gray (MTD Gold)	0629	Silver Flake (MTD Platinum)
0638	Red (Yard Machines, Huskee, Troy-Bilt, MTD)	04038	Day Orange (Daedong)
0691	Black Jack (MTD Gold, MasterCut)	04033	Flint Mica (Troy-Bilt XP)

**Page Left Blank Intentionally**

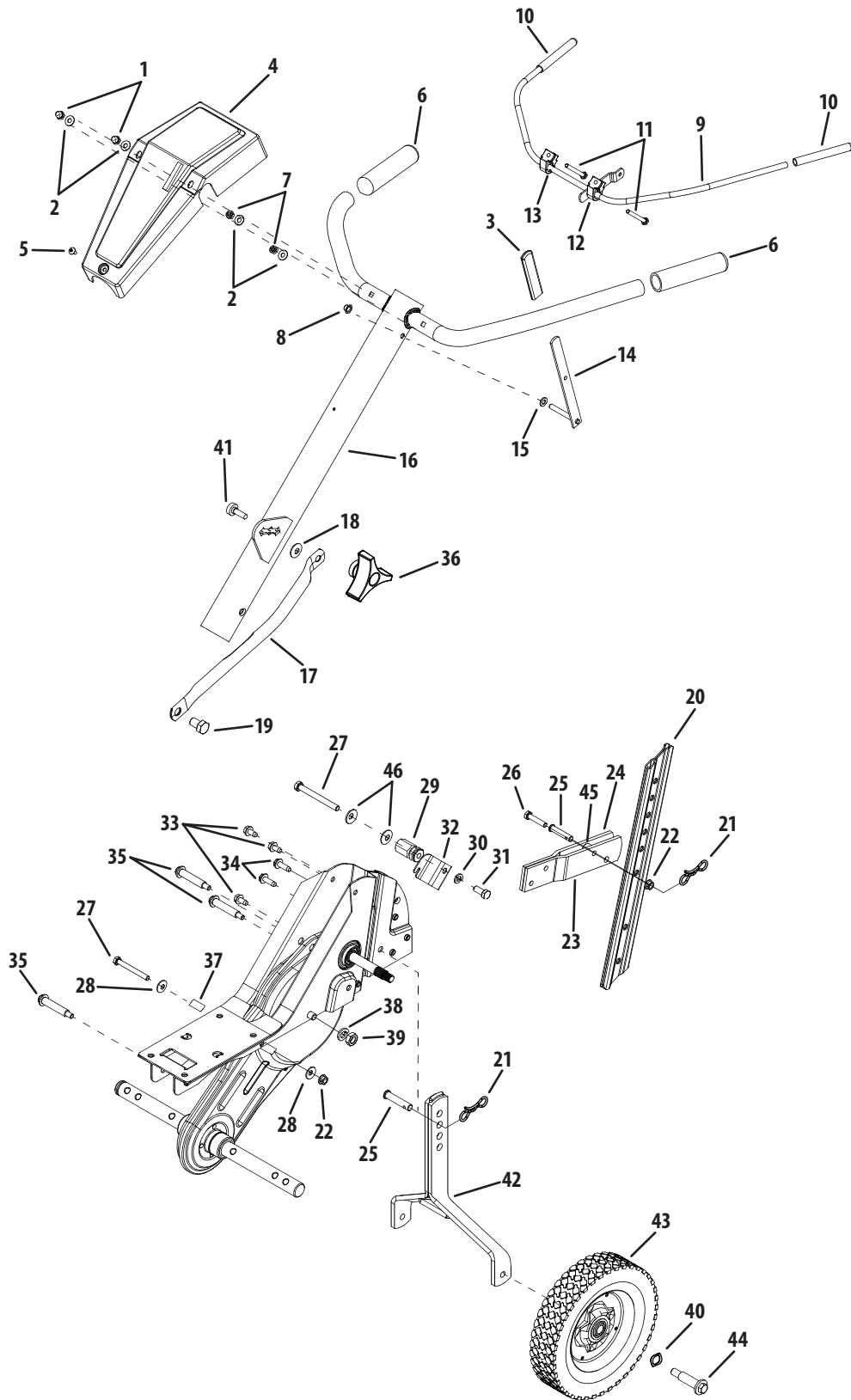
# Model Series 200



Ref.	Part Number	Description
1	749-04282	Upper Handle
2	720-04072A	Star Handle Knob
3	749-04281	Lower Handle
4	710-04398	Flange Screw: 5/16-18:7.5:GR5
5	954-04123	V-Belt
6	756-04163	Idler Pulley
7	748-04125	Shoulder Spacer
8	686-04080	Idler Bracket
9	712-04065	Flange Lock Nut: 3/8-16
10	710-0654A	TT Screw: 3/8-16:1.00
11	786-04303	Belt Cover
12	710-0514	Hex Cap Screw: 3/8-16:1.00
13	732-0418	Extension Spring
14	738-04139	Stud: 33 x 1.5: 3/8-16
15	756-04217	Flywheel Pulley
16	710-0591	Hex Cap Screw: 3/8-24:1.00
17	710-0520	Hex Cap Screw: 3/8-16:1.55
18	786-04256	Tine Shield 61 cm
19	911-0415	Clevis Pin
20	642-0005	Outer Tine Assembly LH
21	642-0003	Inner Tine Assembly LH
22	714-04043	Cotter Pin, Bow Tie

Ref.	Part Number	Description
23	747-04508	Clutch Bail
24	716-0208	Retaining Ring
25	936-0300	Flat Washer, .406 x .875 x .059
26	686-04130	Rear Wheel Tube Assembly
27	714-3020	Cotter Pin
28	726-0299	Push Cap
29	734-0973	Wheel 5 x 1.38
30	749-04265	Depth Stake Tube
31	710-0809	TT Screw: 1/4-20:1.25
32	737-04202	Pipe Plug: 3/8 NPT
33	642-0002	Inner Tine Assembly RH
34	642-0004	Outer Tine Assembly RH
35	918-04276B	Case Assembly
36	721-04157	Gasket
37	786-04296	Wheel Bracket
38	710-1007	TT Screw: 3/8-16:1.50
39	712-04063	Flange Lock Nut: 5/16-18
40	710-0487	Carriage Bolt
41	946-04626	Clutch Cable Fitting
42	946-04626	Clutch Cable
43	710-0599	TT Screw: 1/4-20:.50
44	786-04307	Cable Mount Bracket

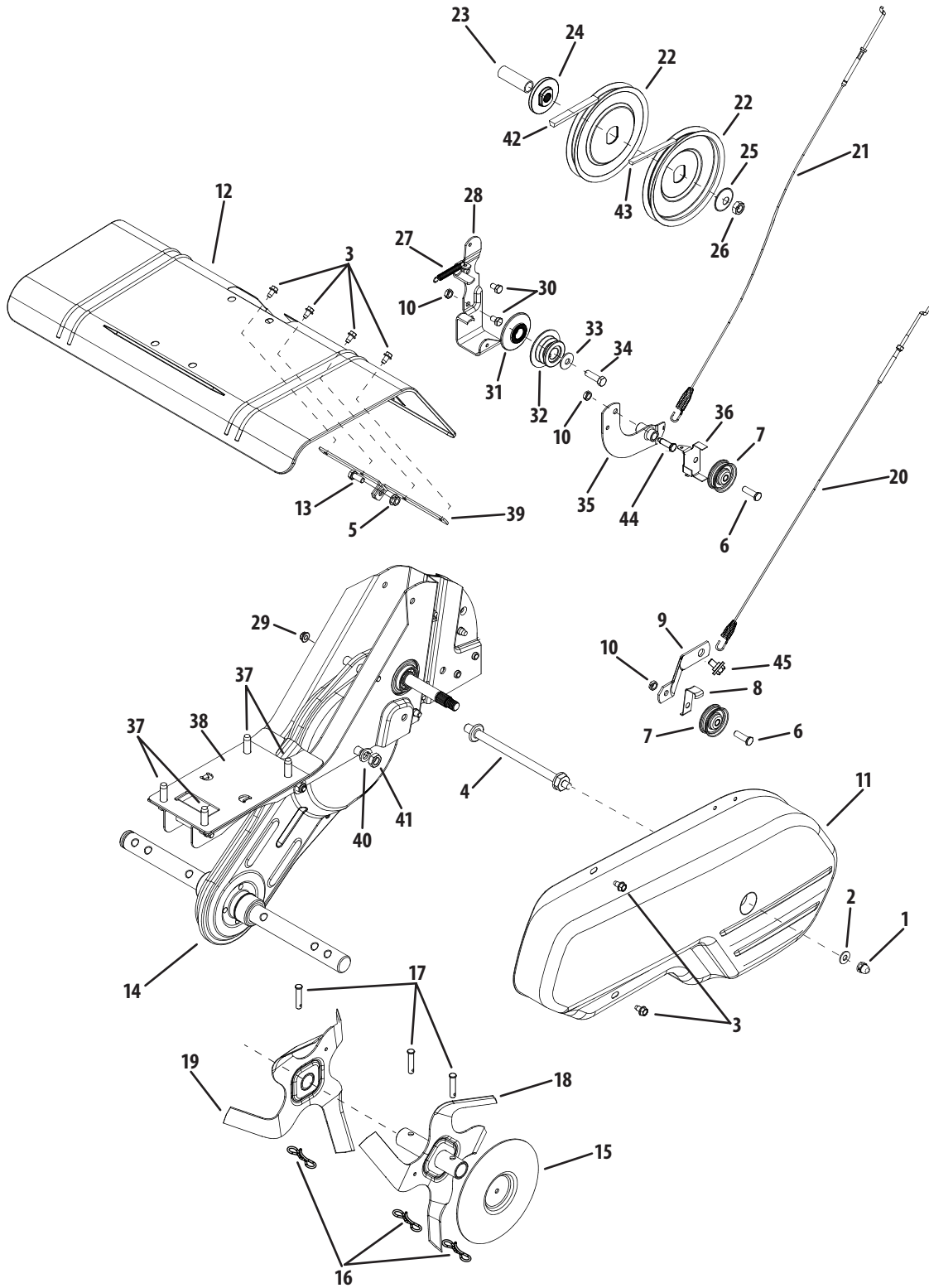
# Model Series 300



Ref.	Part Number	Description
1.	912-0442	Acorn Lock Nut, 1/4-20
2.	936-3020	Flat Washer, .271" x .630"
3.	720-0270A	Reverse Handle Grip
4.	731-1600	Handle Cover w/o throttle
5.	710-0779A	Truss Machine Screw, #10 x 1/2"
6.	720-0274	Handle Grip
7.	712-3006	Hex Nut, 1/4-20
8.	726-0135	Cap Speed Nut
9.	686-0083	Clutch Handle Assembly
10.	720-0269	Clutch Grip
11.	710-0641	Hex Bolt, 1/4-20 x 2.25"
12.	931-1645B	Clutch Handle Holder
13.	936-0300	Flat Washer, .406 x .875 x .059
14.	686-0014C	Reverse Handle Assembly
15.	936-0264	Flat Washer, .344" x .62"
16.	649-04040	Handle Assembly Complete
17.	749-1401A	Handle Brace
18.	736-0242	Bell Washer, .34"
19.	710-06053	Hex Bolt, 1/2-20
20.	786-0005	Depth Bar
21.	714-04043	Cotter Pin, Bow Tie
22.	712-04063	Hex Flange L-Nut, 5/16-18
23.	786-0003	Tail Piece Bracket, Left

Ref.	Part Number	Description
24.	786-0004	Tail Piece Bracket, Right
25.	911-0415	Clevis Pin
26.	710-0805A	Hex Bolt, 5/16-18 x 1.5"
27.	710-0189	Hex Bolt, 5/16-18 x 3"
28.	736-0242	Bell Washer, .340" x .872"
29.	711-1036A	Hex Nut
30.	936-0119	L-Washer, 5/16"
31.	710-3008	Hex Bolt, 5/16-18
32.	786-0129	Cable Guide Bracket
33.	710-04484	Screw, :5/16-18 x 0.75
34.	710-0602	Hex Washer TT-Tap Screw
35.	738-0934A	Shoulder Bolt, 5/16-18
36.	720-0195	Hand Knob
37.	750-0470	Spacer
38.	936-0171	Lock Washer, 7/16
39.	912-0240	Jam Nut, 7/16-20
40.	936-0232	Wave Washer .531 x .781 x .013
41.	710-1236	Carriage Bolt, 5/16-18 x 1
42.	686-0081A	Wheel Hanger Bracket Assembly
43.	734-1268	Wheel, 8 x 1.75
44.	738-0929	Shoulder Screw, .496 x 1.445
45.	750-0890	Spacer
46.	736-0242	Bell Washer, .340" x .872"

# Model Series 300

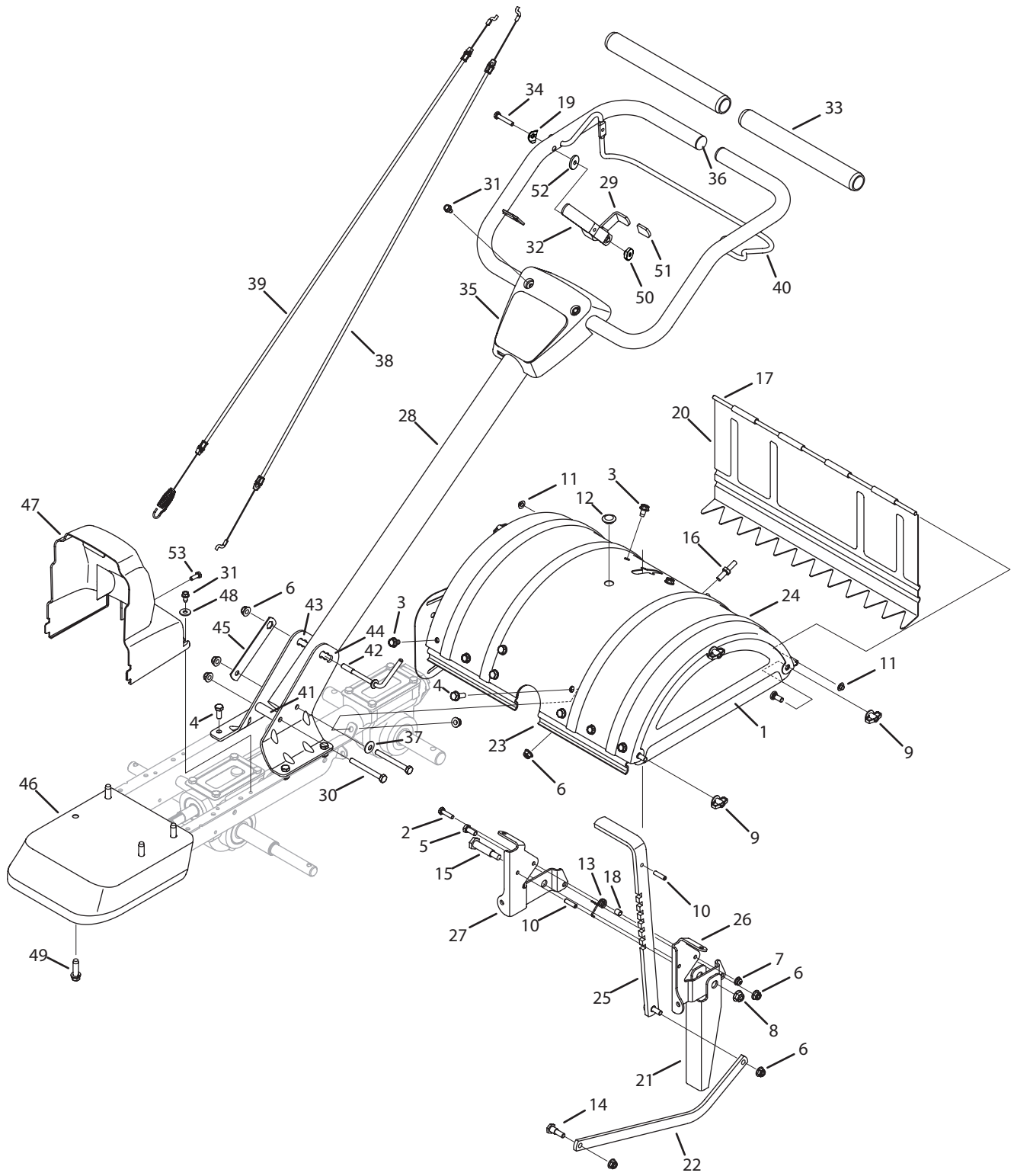




Ref.	Part Number	Description
1.	912-0442	Cap Lock Nut, 1/4-20
2.	936-3020	Flat Washer, 2.66" x .625"
3.	710-0599	Hex Washer TT-Tap Screw, 1/4-20 x .5"
4.	711-0920	Belt Cover Bolt
5.	712-04063	Hex Flange Top L-Nut, 5/16-18
6.	710-3005	Hex Head Screw, 3/8-16 x 1.25"
7.	756-0313	Flat Idler Pulley, 2.12"
8.	786-0149	Idler Belt Keeper
9.	786-0144	Idler Bracket
10.	712-0266A	Hex Center Jam Nut, 3/8-16
11.	786-0057	Belt Cover
12.	786-0043A	Tine Shield
13.	710-3008	Hex Head Cap Screw, 5/16-18 x .75"
14.	986-0091B	Chain Case Assembly Complete
15.	686-0106	Outer Disc Plate Assembly
16.	714-04043	Cotter Pin, Bow Tie
17.	911-0415	Clevis Pin
18.	642-0023	Outer Tine Assembly, Left
—	642-0024	Outer Tine Assembly, Right
19.	642-0003	Inner Tine Assembly, Left
—	642-0002	Inner Tine Assembly, Right
20.	946-0918	Forward Clutch Cable
21.	946-0953	Reverse Clutch Cable
22.	756-0585	Flat Pulley, 6"

Ref.	Part Number	Description
23.	950-0892	Spacer, .64" x 2.4"
24.	948-0350	Pulley Mounting Adapter
25.	736-0112	Bell Washer, 5.25" x 1.5"
26.	712-3029	Hex Jam Nut, 1/2-20
27.	732-0697	Return Spring
28.	786-0040B	Reverse Bracket
29.	712-3004A	Flangelock Nut, 5/16 - 18
30.	710-0170	Hex Bolt, 5/16-24 x .625"
31.	756-0971	Engine Inner Pulley
32.	756-0600	Reverse Engine Pulley
33.	936-0452	Bell Washer, .396" x 1/14"
34.	710-1039	Hex Bolt, 3/8-24 x 1.00"
35.	686-0013	Reverse Arm Assembly
36.	786-0041	Reverse Belt Keeper
37.	710-0502A	Hex L-Washer TT-Tap, 3/8-16 x 1.25"
38.	786-0145A	Engine Plate
39.	786-0053	Tine Shield Bracket
40.	936-0171	L-Washer, 7/16"
41.	912-0240	Hex Nut, 7/16-20
42.	954-0428	Forward Drive Belt, 1/2 x 41.9"
43.	954-0429	Reverse Drive Belt, 3/8 x 45.68"
44.	938-0102	Shoulder Screw, .498 x 1.445
45.	738-0930	Shoulder Screw, .560 x .165

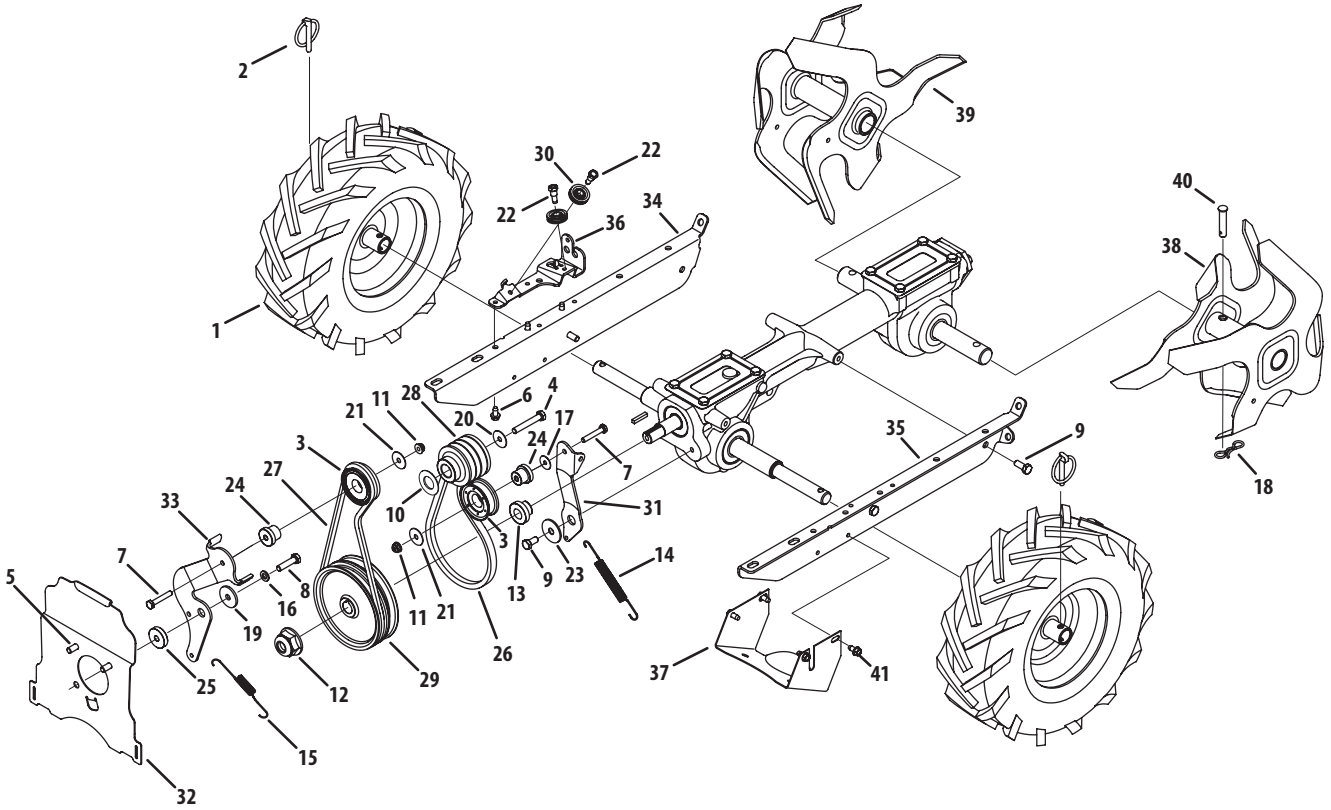
# Model Series 400



Ref.	Part Number	Description
1.	686-0044B	End Cover Assembly
2.	710-0597	Hex Head Screw, 1/4-20 x 1
3.	710-0604A	Hex Head Screw, 5/16-18 x .625
4.	710-1238	Hex Head Screw, 5/16-18 x .875
5.	710-3008	Hex Head Screw, 5/16-18 x .75
6.	712-04063	Hex Flange Top L-Nut, 5/16-18
7.	712-04064	Nylon Hex Lock Nut, 1/4-20
8.	712-04065	Flange Lock Nut, 3/8-16
9.	712-0421	Wing Nut, 5/16-18
10.	715-0108	Spirol Pin
11.	926-0106	Cap Nut, 1/4 Rod
12.	731-05512	Hole Plug
13.	732-04320	Torsion Spring
14.	738-04320	Shoulder Screw, .405 x .435 5/16-18
15.	938-0533	Shoulder Screw, .498 x 1.635
16.	938-0849	Stop Screw
17.	747-0432	Tiller Flap Rod
18.	750-05349	Spacer
19..	936-0451	Saddle Washer, .320 x .930 x .060
20.	786-0113A	Rear Tine Shield
21.	786-04092	Reverse Stop Arm
22.	786-04104	Drag Bar
23.	786-04352A	Tine Shield Mounting Bracket
24.	786-04355A	Tine Shield
25.	786-04356A	Adjustable Depth Bar
26.	786-04363	Tail Bracket, LH
27.	786-04364	Tail Bracket, RH

Ref.	Part Number	Description
28.	649-04098A	Upper Handle Assembly
29.	686-04135	Reverse Handle Assembly
30.	710-0189	Hex Head Screw, 5/16-18 x 3.00
31.	710-0599	Self-Tapping Screw, 1/4-20 x 1/2
32.	731-04735	Handle Select
33.	720-0278A	Foam Handle Grip
34.	710-3288	Hex Head Screw, 1/4-20 x 1.62
35.	731-06253A	Handle Cover
36.	735-04105	Plug End
37.	736-0242	Bell Washer, .340 x .872 x .060
38.	946-04504	Reverse Cable
39.	946-04506	Forward Cable
40.	747-04789A	Clutch Bail
41.	750-0885A	Spacer, .322 x .625 x 2.00
42.	786-0340B	Handle Crank
43.	786-04344	Handle Bracket, RH
44.	786-04345	Handle Bracket, LH
45.	786-04358	Retainer Nut Bracket
46.	786-04360	Front Bumper
47.	631-05252	Belt Cover
48.	736-0173	Flat Washer, .28 x .74 x .063
49.	710-0502A	SEMS Screw, 3/8-16
50.	738-0440	Spacer, .375 x .165
51.	920-04173	Reverse Handle Grip
52.	936-0176	Flat Washer, .265 x .938 x .120
53.	710-0896	Self Tapping Screw, 1/4-14 x .625

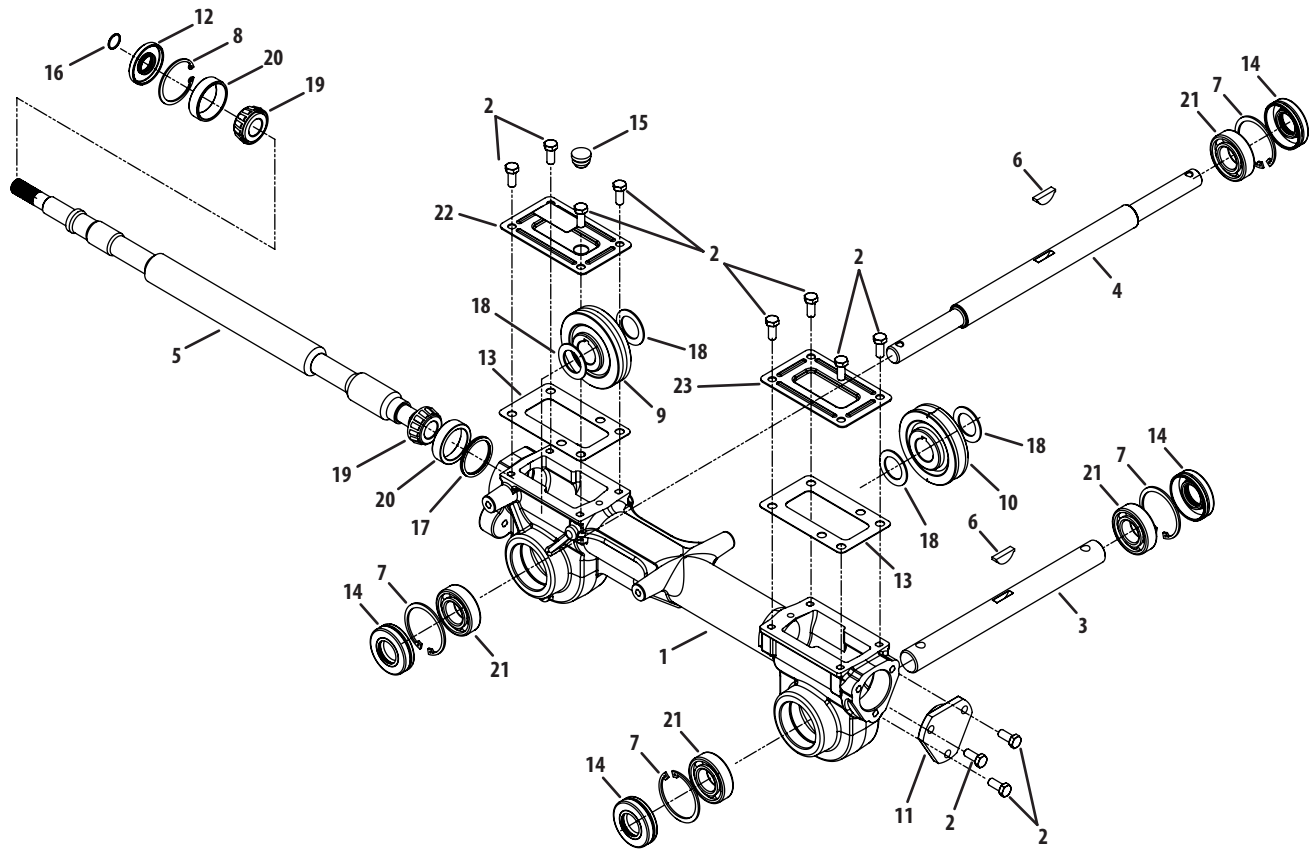
# Model Series 400



Ref.	Part Number	Description
1.	934-04232	Complete Whl. Ass., 13 x 5 x 6 (B, C)
2.	714-0143A	Klik Pin
3.	684-04168	Idler Pulley Assembly
4.	710-0331	Hex Head Screw, 3/8-24 x 2.25
5.	710-0170	Hex Head Screw, 5/16-24 x .625
6.	710-0599	Self Tapping Screw, 1/4-20 x .500
7.	710-0606	Hex Head Screw, 1/4-20 x 1.50
8.	710-0672	Hex Head Screw, 5/16-18 x 1.25
9.	710-1880	Hex Head Screw, 5/16-18 x .75, Patch
10.	736-0315	Washer, Flat, .760 x 1.50 x .120
11.	712-04064	Nylon Hex Lock Nut, 1/4-20
12.	712-0700	Nut, 9/16-18, Flange Lock
13.	718-04407	Hub, 5/8 Spline
14.	732-04085	Extension Spring, .480 OD X 5.00 LG
15.	732-04276A	Extension Spring, LT5 PTO
16.	936-0119	Lock Washer, 5/16
17.	736-0173	Washer, .28 x .74 x .063
18.	714-04043	Cotter Pin, Bow Tie
19.	736-0343	Flat Washer, .330 X 1.25 X .120
20.	936-0452	Bell Washer, .396 x 1.140 x .095
21.	736-3092	Flat Washer, .265 x 1.0 x .030

Ref.	Part Number	Description
22.	738-04425	Shoulder Screw, .342 x .335 1/4-28
23.	748-04087A	Pivot Idler Spacer
24.	750-04571	Shoulder Spacer, .260 x .785 x .538
25.	750-04907	Pivot Idler Spacer
26.	954-04090	V-Belt, 4L x 25.375 Long
27.	954-04091	V-Belt, 3L x 29.125 Long
28.	756-04198A	Engine Pulley
29.	756-04355	Transmission Pulley
30.	756-0625	Cable Roller
31.	786-04312	Idler Bracket, Forward
32.	786-04343	Cover Plate
33.	786-04346	Idler Bracket, Reverse
34.	786-04416A	Mounting Frame, RH
35.	786-04415B	Mounting Frame, LH
36.	786-04357	Pulley Bracket
37.	786-04371	Pulley Shield
38.	642-04071	Tine Assembly, LH
39.	642-04072	Tine Assembly, RH
40.	911-0415	Clevis Pin, .375 x 1.75
41.	710-0896	Self Tapping Screw, 1/4-14 x .625

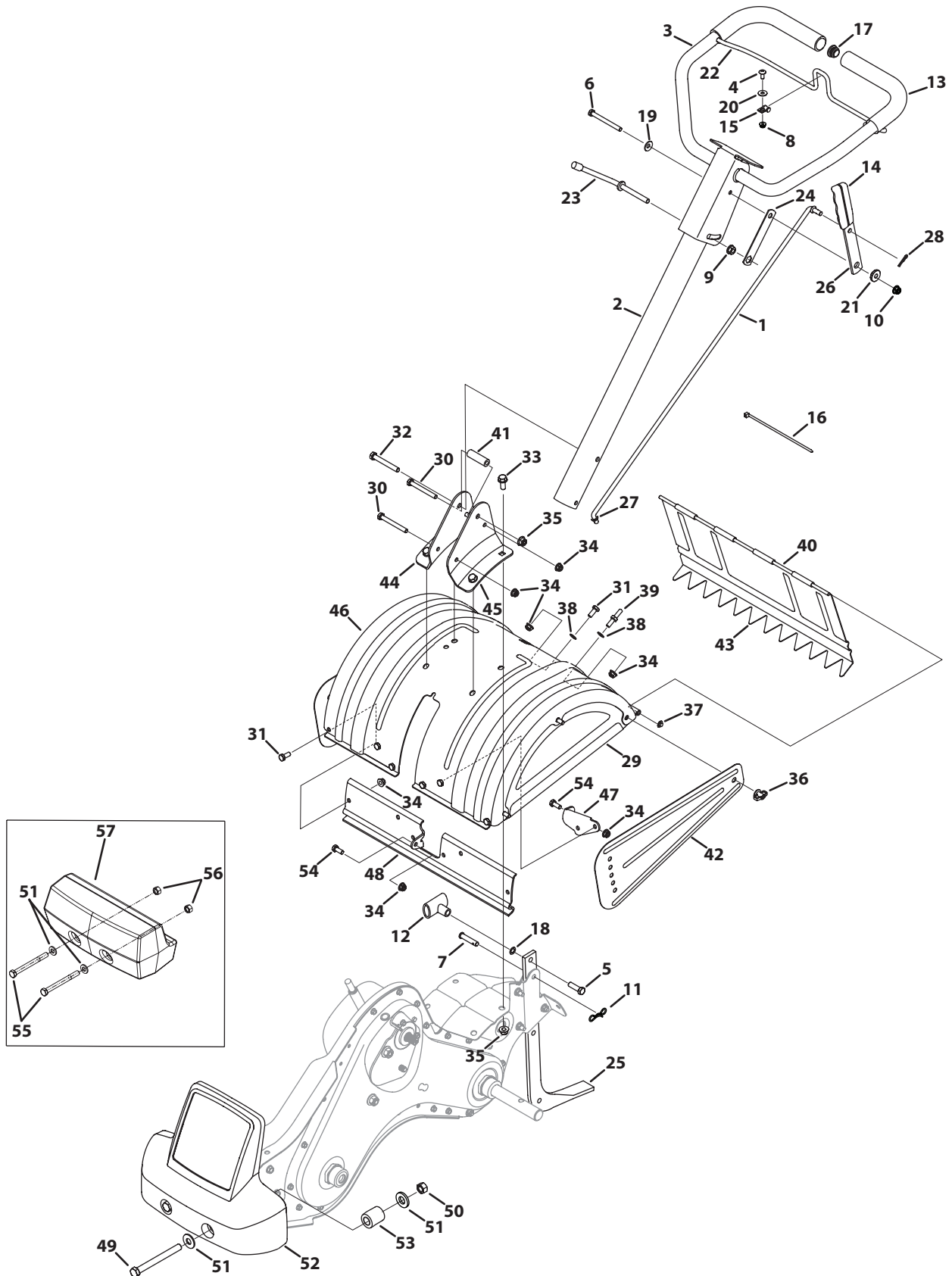
# Model Series 400



Ref.	Part Number	Description
	918-04815A	Transmission Assembly
1.	919-04184A	Housing, Transmission
2.	710-3008	Hex Screw, 5/16-18, .75, Gr5
3.	911-04844	Shaft, Tiller
4.	911-04854	Shaft, Wheel
5.	911-05028	Shaft, Worm
6.	714-04059	Key, Hi Pro .25 x 1.062
7.	716-0204	Retaining Ring
8.	716-04102	Retaining Ring, Int
9.	917-04380	Worm Gear, 61t, RH
10.	917-04381	Worm Gear, 30t, LH
11.	918-04435	Bearing Cover
12.	921-04030	Seal, Oil, .750 Shaft x 1.783 Bore
13.	921-04229	Gasket, Gear Housing
14.	721-04232	Seal, Oil, 1.00 Shaft x 2.00 Bore
15.	721-04271	Rubber Plug, Oil
16.	732-0614	Wire Ring
17.	736-04305	Washer, Flat, 1.50 x 1.75 x .062
—	736-04306	Washer, Flat, 1.50 x 1.75 x .005
—	736-04307	Washer, Flat, 1.50 x 1.75 x .03
—	736-04308	Washer, Flat, 1.50 x 1.75 x .010
18.	736-0745	Washer, Flat, 1.010 x 1.56 x .060
19.	941-04298	Cone Bearing
20.	941-04299	Bearing Cup
21.	741-3114	Ball Bearing
22.	786-04366	Cover, Transmission
23.	786-04392	Cover, Transmission

\* — The flat washers listed are used as required to obtain .005 to .015 in allowable end play on the drive shaft.

# Model Series 450

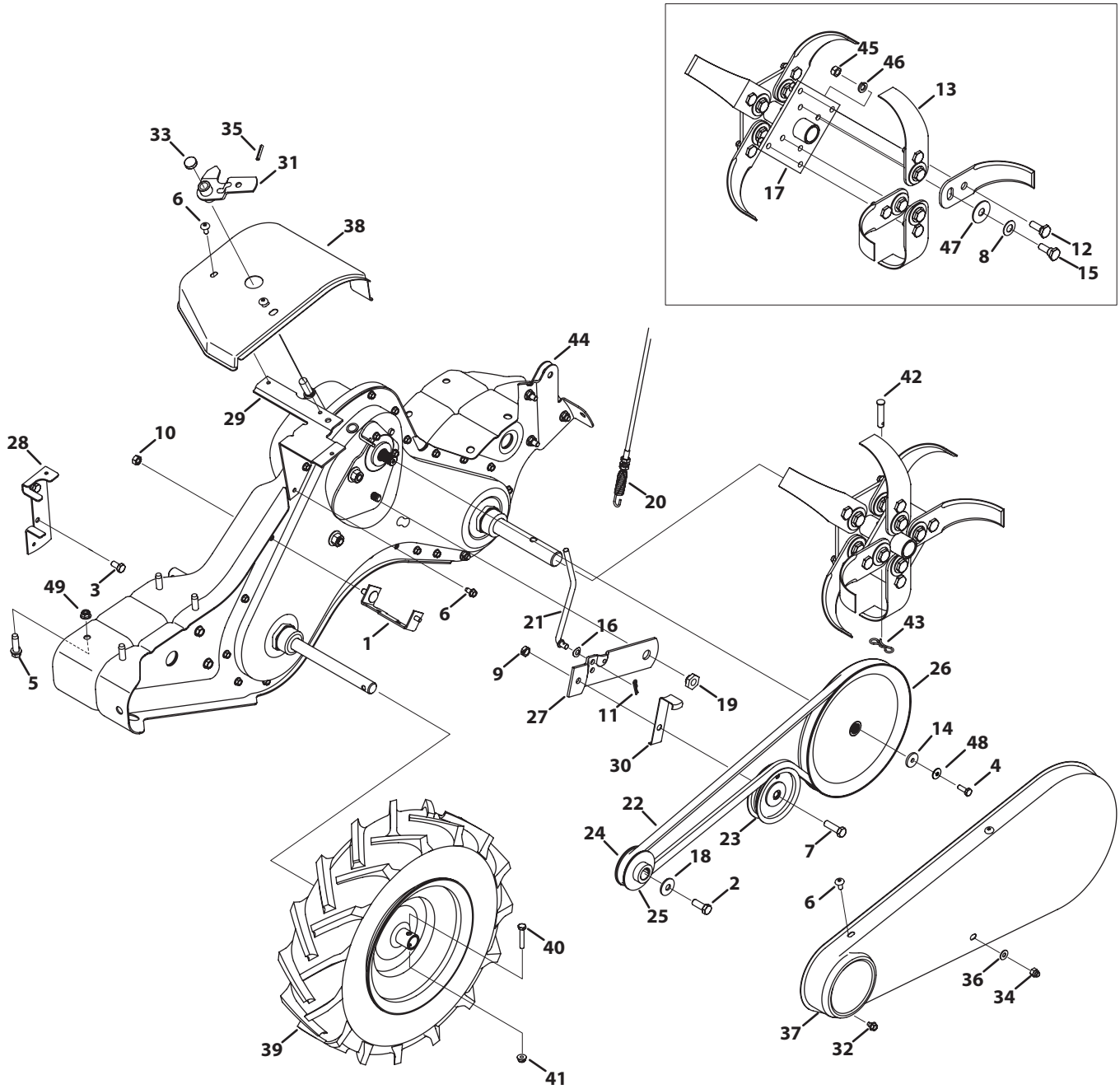




Ref.	Part Number	Description	Ref.	Part Number	Description
1	747-1152	Shaft Rod	30	710-0176	Hex Head Screw, 5/16-18 x 2.75
2	649-0034	Lower Handle Tube Assembly	31	710-3008	Hex Head Screw, 5/16-18 x .75
3	649-0041A	Upper Handle Assembly	32	710-3022	Hex Head Screw, 3/8-16 x 2.75
4	710-0946	Screw, 1/4-20 x 0.625	33	710-04482	Hex Head Flange, 3/8-16 x .875
5	710-3005	Hex Head Screw, 3/8-16:1.25	34	712-04063	Flangelock Nut, 5/16-18
6	710-3056	Hex Head Screw, 5/16-18 x 3.25	35	712-04065	Flangelock Nut, 3/8-16
7	911-0415	Clevis Pin, .375 X 1.75	36	712-0421	Wing Nut, 5/16-18 W/ Bell Washer
8	712-04064	Nylon Hex Lock Nut, 1/4-20	37	926-0106	Speed Nut Cap, 1/4 ROD
9	712-0379	Flangelock Nut, 3/8-24	38	736-0204	Washer, Flat, .344 x .62 x .033
10	712-04063	Hex Flange Top L-Nut, 5/16-18	39	938-0849	Screw, Hex, 5/16-18 x .75
11	714-04043	Internal Cotter Pin	40	747-0432	Tiller Flap Rod
12	720-0210A	Small Tee Knob	41	750-0885A	Spacer, .322 x .625 x 2.00
13	720-0278A	Foam Grip, .970 x 11.0	42	786-0090A	Side Shield
14	720-0313	Grip, .1875 x 1.00	43	786-0113A	Rear Tine Shield
15	726-0273	Battery Clamp, 5/16	44	786-0176	RH Handle Mount Bracket
16	726-0317	Cable Tie, 8.5 LG	45	786-0177	LH Handle Mount Bracket
17	735-0246A	End Plug	46	786-0178A	Tine Shield
18	936-0117	Washer, Flat, .385 x .620 x .033	47	786-0179	FRT Tine Shield Bracket
19	736-0242	Washer, Bell, .340 x .872 x .060	48	786-0180	FRT Tine Shield Spacer Bracket
20	736-3090	Washer, Flat, .260 x .720 x .060	49	710-0506	Hex Head Screw, 1/2-13 x 5.50
21	938-0958	Spacer, Shoulder, .50 x .190 x .360 LG	50	912-3058	Hex Nut, 1/2-20
22	747-1219A	Clutch Bail	51	936-0326	Washer, 1/2 x 1.25 x .10
23	784-0190	Handle Adjustment Crank	52	731-1595	Counterweight
24	784-0191	Hex Nut Retainer Bracket	53	750-0194	Hub, .636 ID x 1.00 OD x .94
25	786-0120	Tiller Depth Control	54	710-0376	Hex Head Screw, 5/16-18 x 1.00
26	786-0181	Shaft Rod Lever	55	710-0382	Hex Bolt, 1/2-13 x 5.0
27	735-0127	Washer, Rubber, .33 ID x .87 OD x .125	56	712-04150	Flange Lock Nut, 1/2-13
28	914-0104	Cotter Pin, .072 x 1.12 LG	57	723-0381†	Counterweight, 40 lbs.
29	686-0044B	End Cover Assembly			

† If Equipped

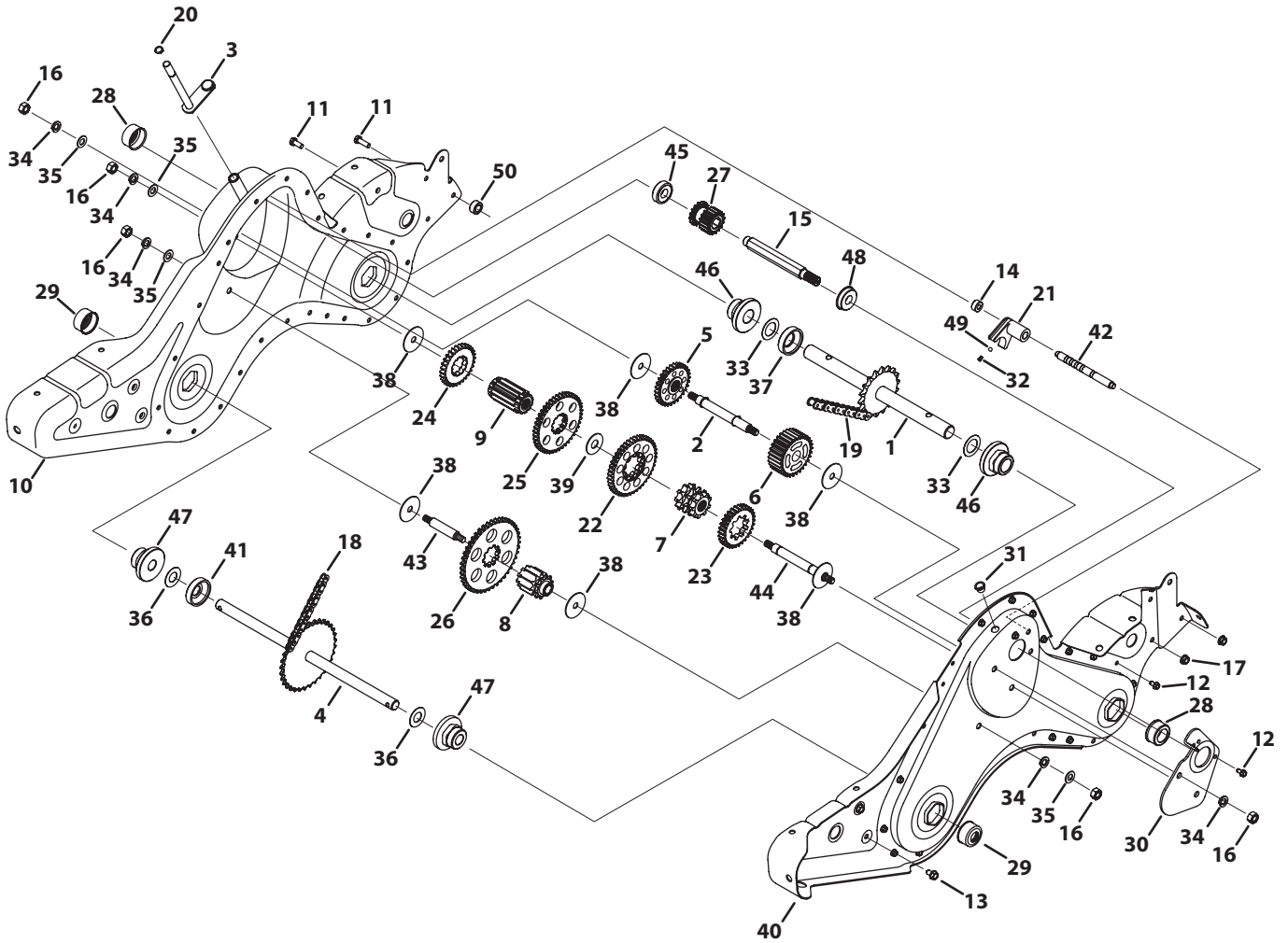
# Model Series 450



Ref.	Part Number	Description
1	686-0111	Belt Cover Bracket Assembly
2	710-1039	Hex Head Screw, 3/8-24 x 1.00
3	710-0170	Hex Bolt, 5/16-24 x .625
4	710-0513A	Hex Bolt, 1/4-28 x .75"
5	710-0502A	Screw, 3/8-16 x 1.250
—	710-0520	Hex Screw, 3/8-16 x 1.50" (Honda)
6	710-1652	Hex Washer Screw
7	710-3005	Hex Head Screw, 3/8-16 x 1.25
8	936-0253	Washer, Bell, .525 x 1.00 x .050
9	712-0266A	Jamlock Nut, 3/8-16
10	712-04063	Flangelock Nut, 5/16-18
11	914-0104	Cotter Pin, .072 DIA. x 1.13 LG
12	938-0689	Screw, Shoulder, 3/8-24 x 1/2 x .180
13	742-0305A	Articulating Tine
14	936-0176	Washer, Flat, .265 x .938 x .120
15	938-0688	Screw, Shoulder, 3/8-24 x 1/2 x .325
16	936-0271	Washer, Spring, .317 x .625 x .020
17	784-0160	Tine Adaptor Assembly
18	936-0452	Washer, Bell, .396 x 1.140 x .095
19	738-0876A	Shoulder Nut, 7/16-20
20	946-1117	Clutch Cable
21	747-1159	Idler Pulley Rod
22	954-0434	Belt, 4L x 58.16 LG
23	756-0405	Flat Idler Pulley w/ Flanges, 3.75 O.D.
24	756-0971	Engine Pulley, Inner Half

Ref.	Part Number	Description
25	756-0972	Engine Pulley, Outer Half
26	756-1162	Input Pulley, 4L x 8.594
27	786-0064A	Idler Pulley Bracket
28	786-0185A	Belt Keeper Bracket, B&S 6.5 HP
29	786-0187	Shift Cover Bracket
30	786-0193	Idler Belt Keeper
31	686-0109A	Shift Crank Assembly
32	710-0653	Screw, 1/4-20:0.375
33	731-07556	Cap
34	712-0392	Lock Nut, Cap, 1/4-28
35	715-0120	Spiral Pin, 3/16 x 1.00
36	936-3020	Washer, Flat, .271x .630 x .065
37	784-0158B	Belt Cover
38	784-0208D	Shift Cover
39	934-04231	Wheel, 16 x 4.6 x 8
40	710-05289	Hex Head Screw, 1/4-20 x 1.50
41	712-04064	Flangelock Nut, 1/4-20
42	911-0415	Clevis Pin, .375 x 1.75
43	714-04043	Cotter Pin, Bow-Tie
44	986-04074B	Complete Gear Case Assembly
45	712-3054	Hexlock Nut, 3/8-24
46	936-0169	Washer, Lock, 3/8
47	936-0208	Washer, Flat, .51 x 1.5 x 0.07
48	736-0270	Bell Washer, .265 x .750 x .060
49	712-04065	Flangelock Nut, 3/8-16 (Honda)

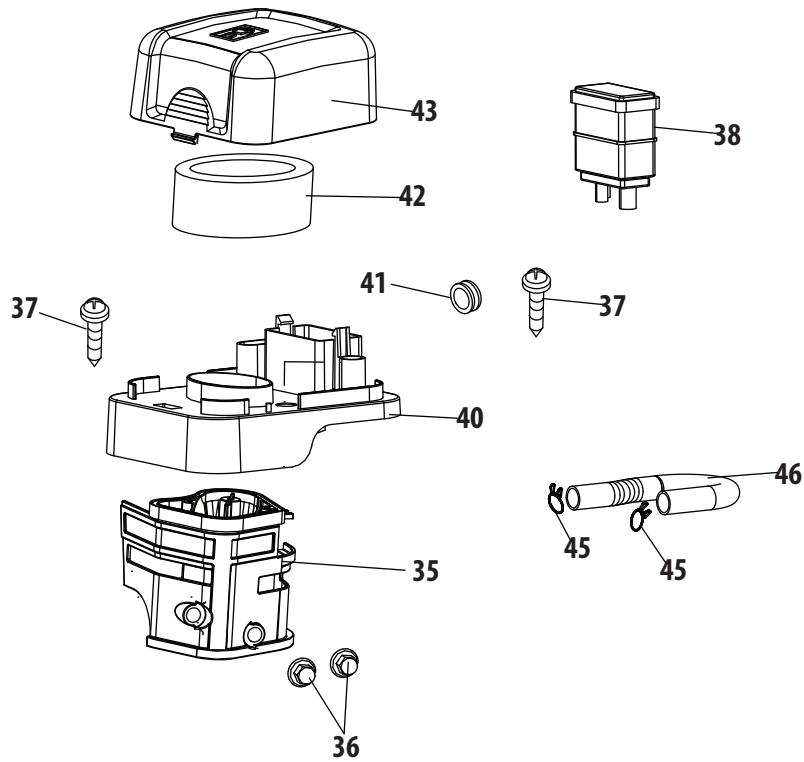
# Model Series 450



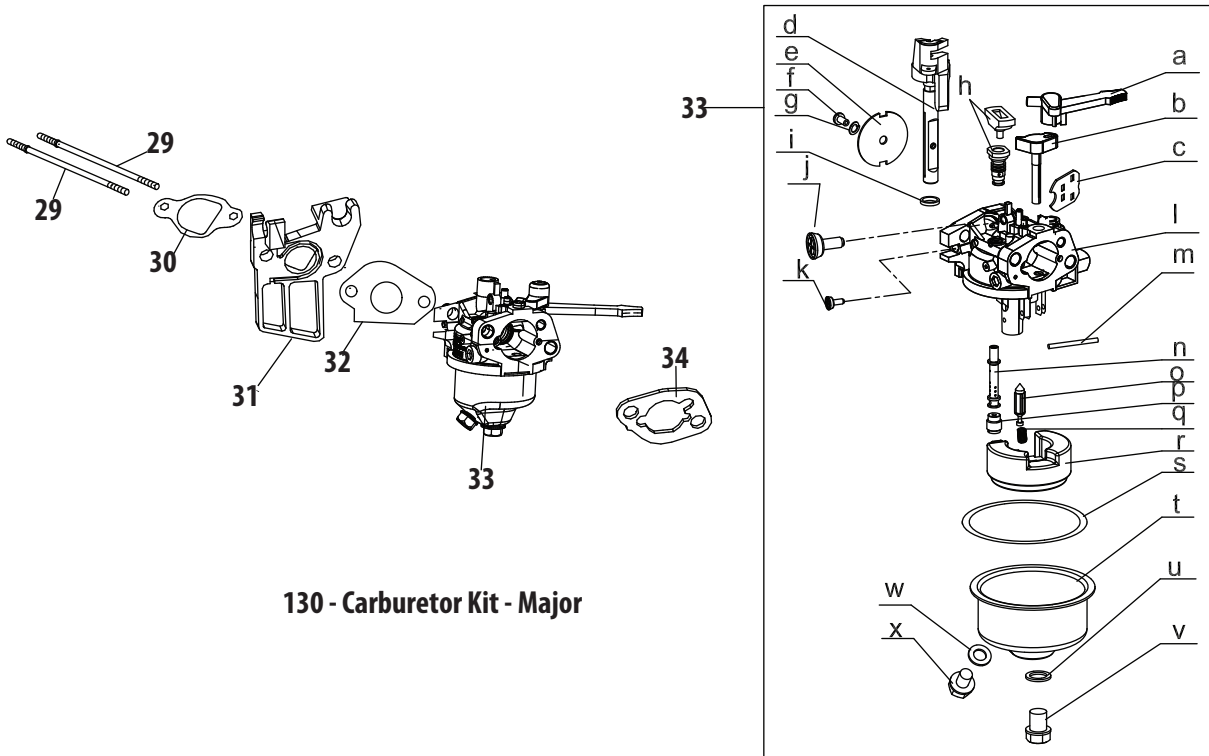
Ref.	Part Number	Description
1.	611-0021	Shaft Assembly, Tine, 18T
2.	611-0128	Shaft Assembly, Jack
3.	611-0129	Shaft Assembly, Shift Input
4.	611-04074A	Shaft Assembly, Wheel, 33T
5.	617-0058	Gear Assembly, 30T Reverse Idler
6.	617-0059	Gear Assembly, 30T Tine Idler
7.	617-0060	Sprocket Assembly, 9T Tine Input
8.	617-0061	Sprocket Assembly, 10T Whl Input
9.	617-0062	Gear Assembly, 11T
10.	686-0108A	RH Chain Case Housing Assembly
11.	710-0376	Hex Head Screw, 5/16-18 x 1.00
12.	710-1652	Screw, 1/4-20 x 0.625
13.	710-04484	Screw, :5/16-18 x 0.75
14.	750-0664	Spacer, .505 ID x .88 OD x .440
15.	711-1349A	Input Shaft, .75
16.	712-0378	Nut, Hex, 7/16-20
17.	712-04063	Nut, Flangelock, 5/16-18
18.	913-0367	Endless Chain, #420 x 50 Links
19.	913-0484	Endless Chain, #50 x 54 Links
20.	716-0865	Snap Ring, .500
21.	717-0853A	Clutch Collar
22.	717-1582A	Gear Spur, 44T
23.	717-1583	Gear Spur, 30T
24.	717-1584	Gear Spur, 30T
25.	717-1585	Gear Spur, 44T
26.	717-1587	Gear Spur, 44T

Ref.	Part Number	Description
27.	717-1594	Gear Spur, 16T
28.	921-0378	Shaft Seal, 1.0
29.	721-0379	Shaft Seal, .75
30.	786-0238A	Positioner Gear Bracket
31.	726-0277	Tapered Cap Plug
32.	732-04778	Compression Spring, .230 OD
33.	936-0163	Washer, Flat, 1.03 x 1.62 x .03
34.	936-0171	Washer, Lock, 7/16
35.	936-0226	Washer, Flat, .474 x .879 x .064
36.	936-0493	Washer, Flat, .760 ID x 1.50 OD
37.	950-0570	Spacer, 1.0 ID x 2.0 OD x .5 LG
38.	736-05030	Washer, Thrust, .445 x 1.92 x .040
39.	736-3088	Washer, Flat, 1.595 x .635 x .062
40.	686-04129	LH Chain Case Housing
41.	950-0671	Spacer, .75 x 2.0 x .50
42.	738-0645	Shaft Detent, .5 DIA
43.	738-0648	Shaft, Jack, .625 x 2.385
44.	738-04424A	Shaft, Jack, .6250 x 5.0050
45.	941-0600	Ball Bearing, 17 x 40 x 12:6203
46.	941-0420	Flange Bearing, 1.0 x 2.5 x 1.38
47.	741-0421	Flange Bearing, .75 x 2.5 x 1.38
48.	941-0563	Ball Bearing, 17 x 40 x 12:6203
49.	741-0862	Ball, Detent, .250
50.	750-0258	Spacer, .315 x .750 x .375 LG
—	986-04074B	Gear Case Assembly Complete

# Engine Model 170-AU Air Cleaner



Ref.	Part Number	Description
35	951-14315	Air Cleaner Housing
36	712-04213	Nut
37	951-14068	Self-Tapping Bolt 4.2x16
38	951-14069	Carbon Canister
40	951-14070	Silencer Plate
41	750-05314	Bushing
42	951-14262	Air Filter
43	951-12136	Air Cleaner Cover
45	951-14073	Piping Hose
46	951-14074	Exhaust Piping

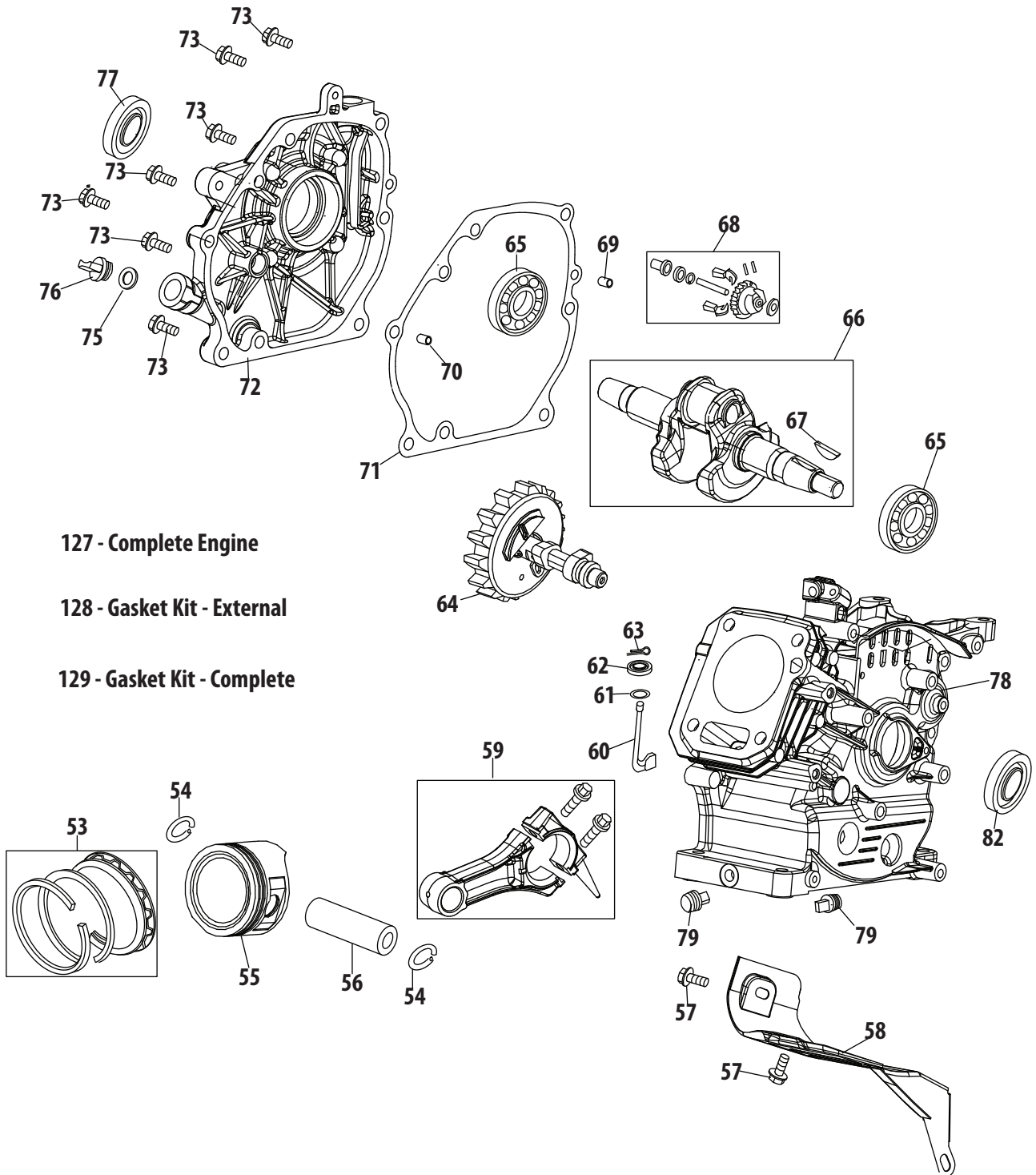


**130 - Carburetor Kit - Major**

Ref.	Part Number	Description
29	710-05101	Carburetor Stud Bolt M6×110
30	951-11567	Carburetor Insulator Gasket
31	951-11568	Carburetor Insulator
32	951-11569A	Carburetor Gasket
33	951-05021	Carburetor Assembly
34	951-11571	Carburetor Gasket Plate
130	951-05034	Carburetor Repair Kit

Ref.	Part Number	Description
a	951-11177	Control Lever,Choke
b	n/a	Choke Shaft
c	n/a	Choke Plate
d	n/a	Throttle Shaft
e	n/a	Throttle Plate
f	n/a	Fuel Shutoff Lever Screw M3×6
g	736-04638	Lock Washer
h	n/a	Idle Jet Assembly
i	n/a	Gasket, Throttle Plate
j	n/a	Idle Speed Adjusting Screw
k	n/a	Mixture Screw
l	n/a	Carburetor Body
m	n/a	Float Pin
n	n/a	Emulsion Tube
o	951-12875	Float Needle Valve
p	n/a	Main Jet
q	n/a	Needle Valve Spring
r	n/a	Float
s	951-11589	Fuel Bowl Gasket
t	n/a	Fuel Bowl
u	951-11348	Fuel Bowl Gasket
v	710-04945	Fuel Bowl Mounting Bolt
w	951-11349	Fuel Drain Plug Gasket
x	710-04938	Fuel Drain Plug

# 170-AU Crankcase

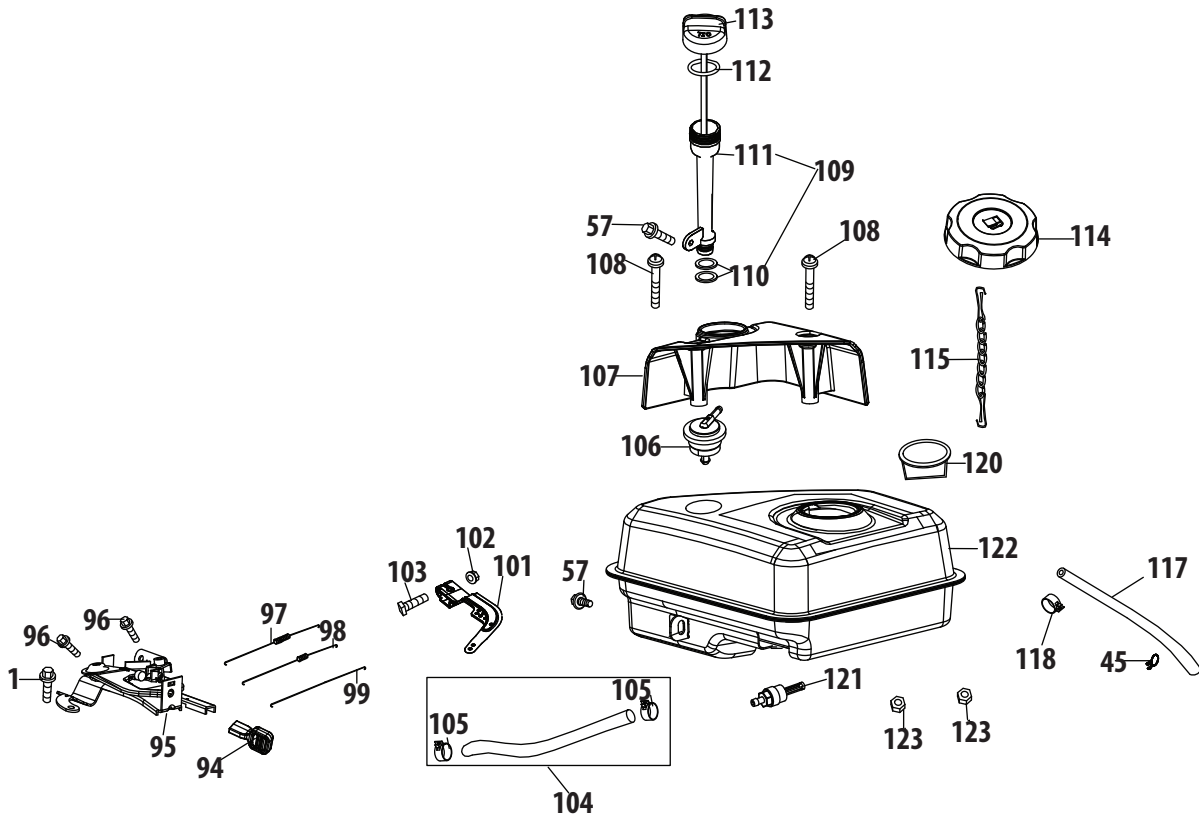




## 170-AU Crankcase

Ref.	Part Number	Description	Ref.	Part Number	Description
53	951-14317	Piston Ring Set	72	951-12125	Crankcase Cover
54	951-11632	Piston Pin Snap Ring		751-14142	Crankcase Cover Service Kit (Incl. 65,71-73,75-77)
55	951-14318	Piston	73	710-04932	Bolt M8×32
56	951-11633	Piston Pin	75	951-11577	O-Ring 15.8 X 2.5
57	710-04915	Bolt M6×12	76	951-12394	Oil Plug
58	951-11113	Air Shield	77	951-11578	Oil Seal, 25×41.25×6
59	951-11573	Connecting Rod Assembly	78	751-14144	Crankcase Service Kit (Incl. 62,65,77-79,82)
60	951-14053	Governor Shaft		951-05031	Shortblock Assembly (Incl. 6,22,30-32,47,49,50, 53-56,59-79,82)
61	736-04461	Washer - 5.2 X 1.9	79	951-12514	Oil Drain Plug
62	951-11902	Governor Seal	82	951-12126	Oil Seal
63	714-04078	Cotter Pin	127	952Z170-AU	Complete Engine
64	951-11575	Camshaft Assembly	128	951-12026A	Gasket Kit - External (Incl. 6,22,30-32,34)
65	951-11369	Radial Ball Bearing, 6205	129	951-05032	Gasket Kit - Complete (Incl. 6,22,30-32,34,47,61,62,71,77,82)
66	751-14143	Crankshaft Service Kit (Incl. 65-67,77,82)			
67	951-10307	Woodruff Key			
68	951-11576	Governor Gear/Shaft Assembly			
69	715-04092	Dowel Pin 7×14			
70	715-04096	Dowel Pin 9×14			
71	951-11371	Crankcase Cover Gasket			

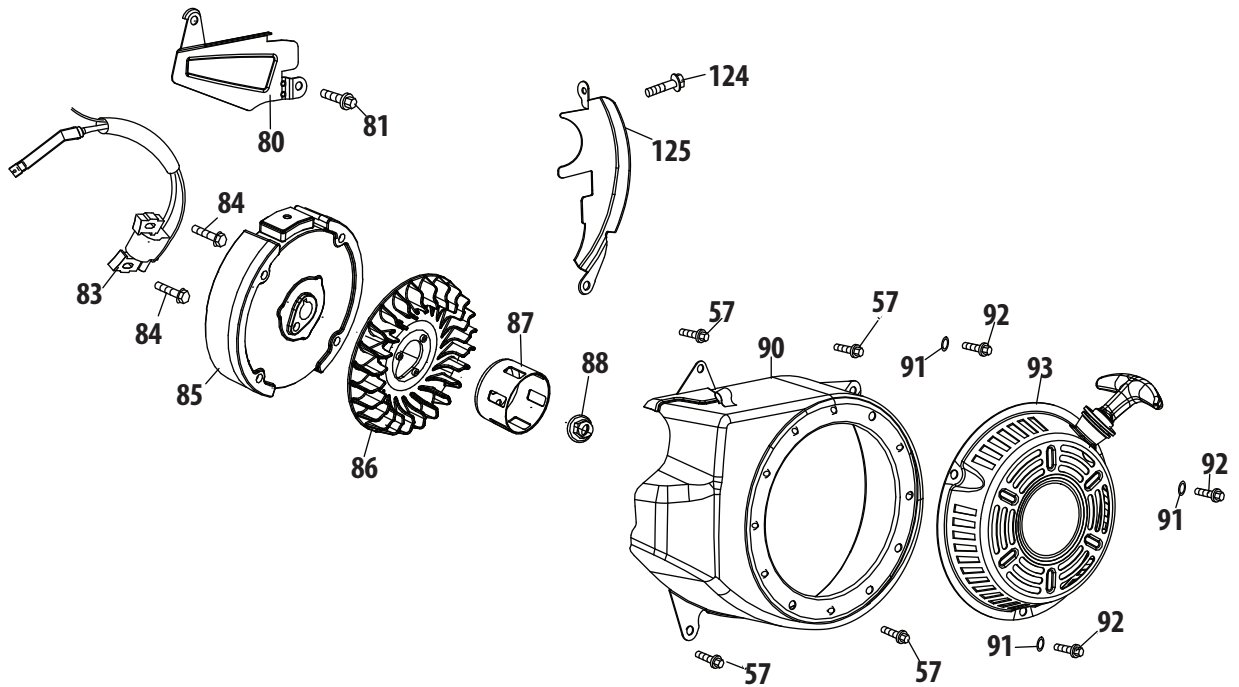
# 170-AU Fuel Tank & Mounting



Ref.	Part Number	Description
1	710-04968	Bolt M6x16
57	710-04915	Bolt M6x12
94	951-11067	Throttle Control Knob
95	951-12131	Primer Bracket
96	710-05103	Bolt M6x12
97	951-11585	Governor Spring
98	951-10664	Throttle Linkage Spring
99	951-10665	Governor Rod
101	951-11106	Governor Arm Bracket
102	712-04212	Nut M6
103	710-04908	Governor Arm Bolt
104	751-10650	Fuel Line Kit
105	951-11700	Fuel Hose Clamp
106	951-14075	Valve, Roller Over

Ref.	Part Number	Description
107	951-11914	Engine Dipstick Cover
108	710-04905	Bolt
109	951-11913	Oil Fill Tube Assembly
110	951-11904	Dipstick O-Ring
111	951-10656	Dipstick Tube
112	951-11381	O-Ring
113	951-12482	Dipstick Assembly
114	951-12535	Fuel Cap
115	951-14076	Fuel Cap Chain
116	951-14133	Primer Hose Assembly
120	951-11933	Fuel Level Indicator
121	951-10651	Fuel Tank Nipple
122	951-14332	Fuel Tank
123	712-05015	Nut M6

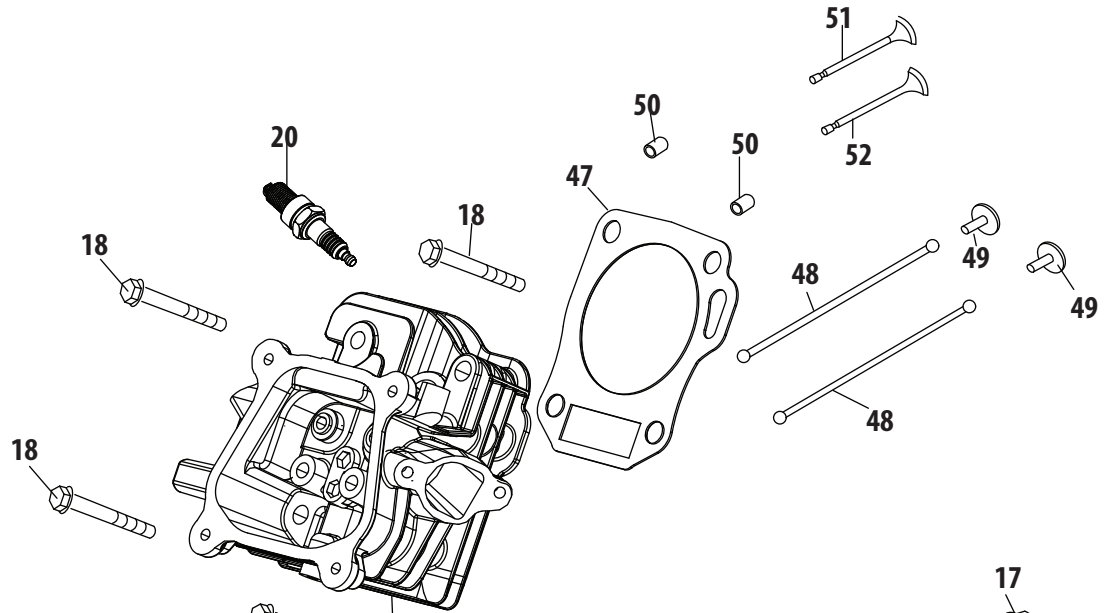
# 170-AU Flywheel & Blower Housing



Ref.	Part Number	Description
57	710-04915	Bolt M6x12
80	951-11110	Air Flow Shield
81	710-04940	Bolt M6x10
83	951-10792	Ignition Coil
84	710-04919	Flange Bolt M6X25
85	951-14320	Flywheel
86	951-10934	Cooling Fan
87	951-10911	Starter Cup

Ref.	Part Number	Description
88	712-04209	Flywheel Nut, M14 X 1.5
90	951-11583	Blower Housing
91	736-04455	Flat Washer
92	710-04974	Bolt M6x10
93	951-12418	Recoil Starter Assembly
124	710-04918	Bolt:Flange M6X20
125	951-14138	Blower Housing Shield

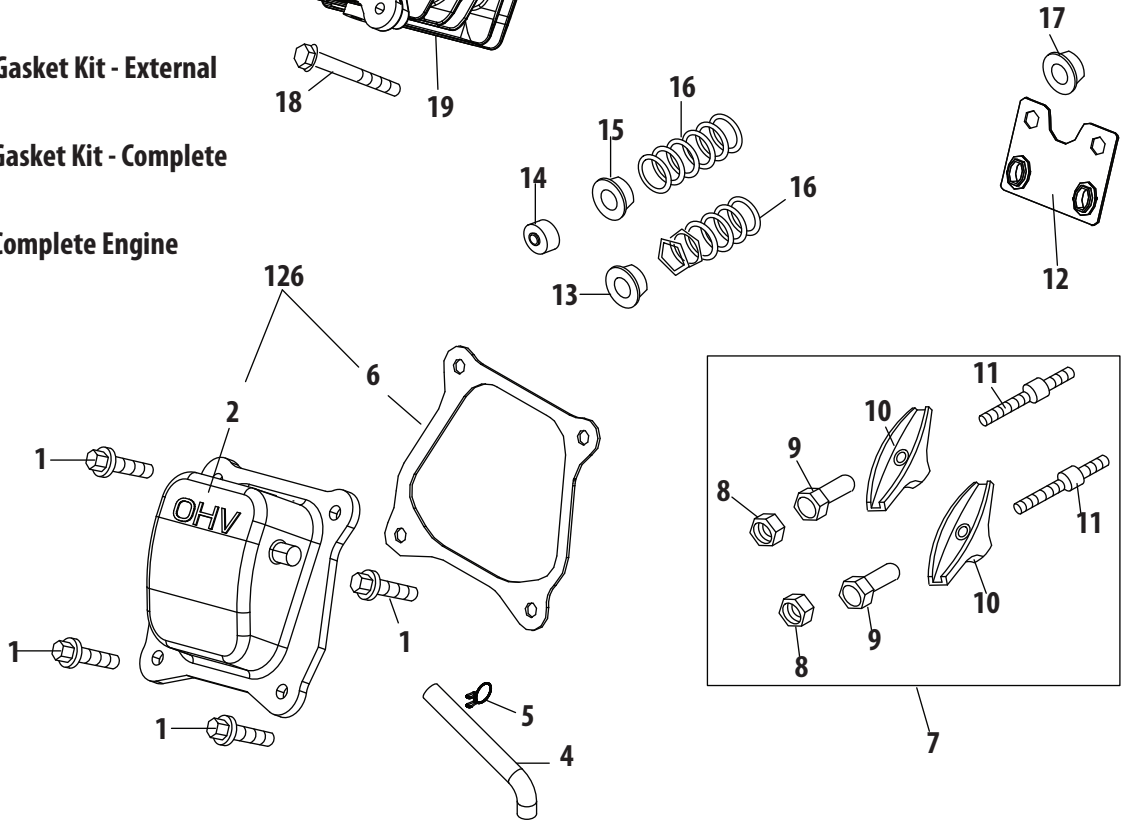
# 170-AU Cylinder Head



128 - Gasket Kit - External

129 - Gasket Kit - Complete

127 - Complete Engine

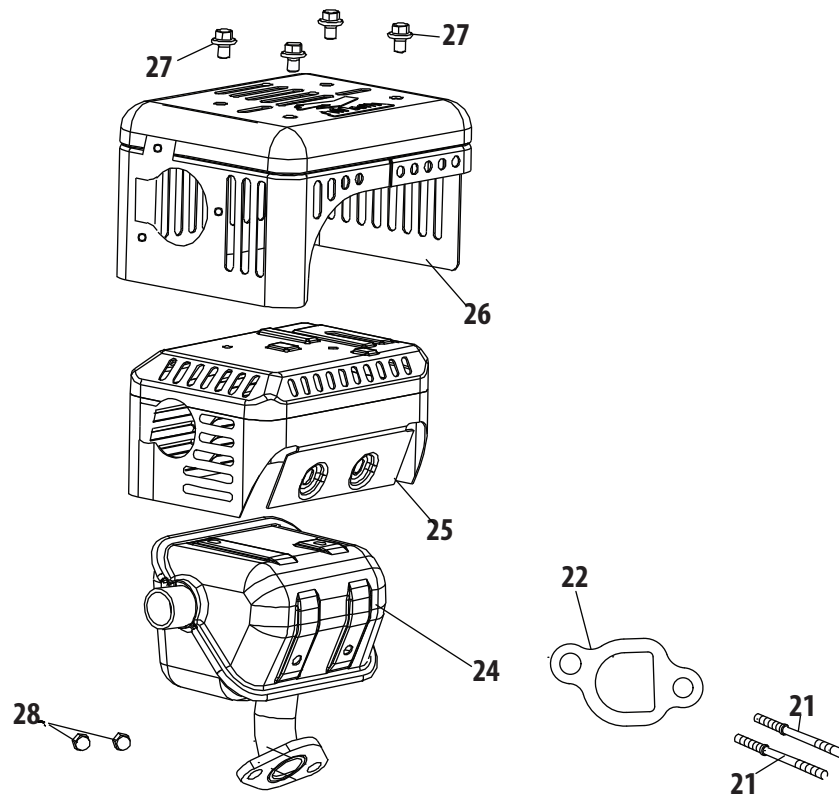


## 170-AU Cylinder Head

Ref.	Part Number	Description
1	710-04968	Bolt M6×16
2	951-11054B	Valve Cover
4	731-07059	Breather Hose
5	726-04101	Breather Hose Clamp
6	951-11565	Valve Cover Gasket
7	951-11892	Rocker Arm Assembly
8	751-11124	Nut, Pivot Locking
9	751-11123	Adjusting Nut ,Valve
10	951-11893	Rocker Arm
11	710-04902	Bolt, Pivot
12	951-11895	Push Rod Guide
13	951-12000	Valve Spring Retainer (Intake)
14	951-12002	Exhaust Valve Adjuster
15	951-12003	Valve Spring Retainer (Exhaust)
16	951-12004	Valve Spring
17	951-11894	Valve Seal (Intake)

Ref.	Part Number	Description
18	710-06080	Bolt M8×55
19	951-05029	Cylinder Head Assembly (Incl. 6,8-17,19,22,30-32,47,51,52)
20	951-10292	Spark Plug/F6Rtc
47	951-14316	Gasket, Cylinder Head
48	751-10648	Push Rod Kit
49	951-11899	Tappet
50	715-04108	Dowel Pin 10X16
51	751-10647A	Valve Kit
52	751-10647A	Valve Kit
126	951-05033	Valve Cover Kit
127	952Z170-AU	Complete Engine
128	951-12026A	Gasket Kit - External (Incl. 6,22,30-32,34)
129	951-05032	Gasket Kit - Complete (Incl. 6,22,30-32,34,47,61,62,71,77,82)

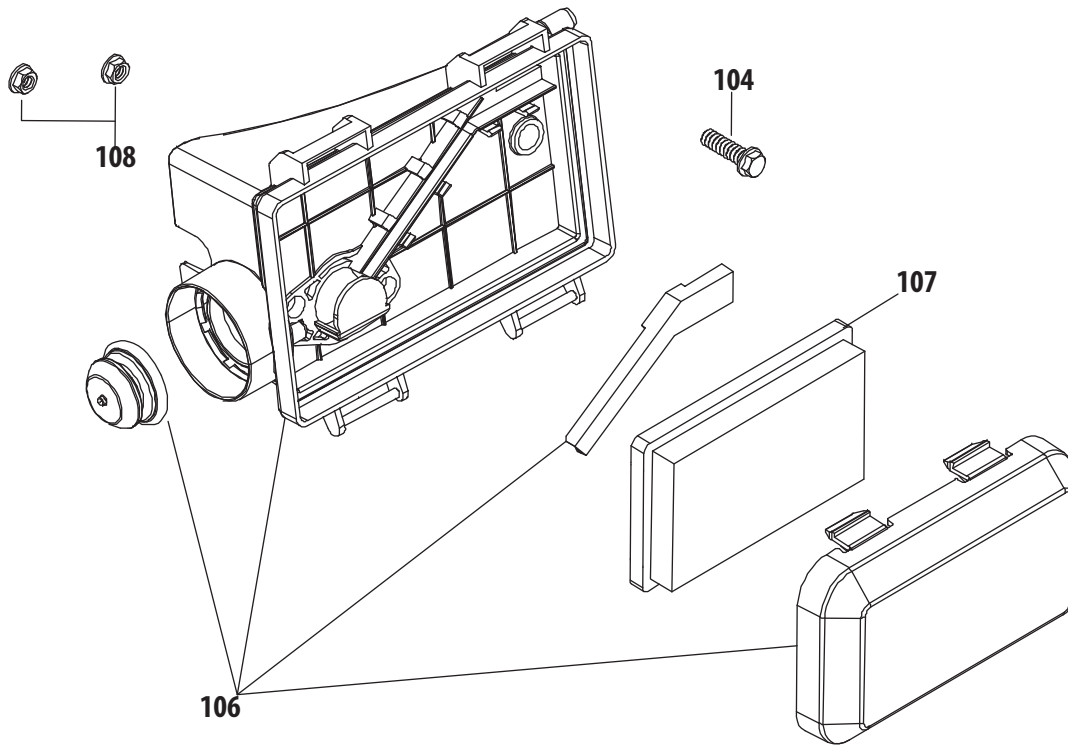
# 170-AU Muffler



Ref.	Part Number	Description
21	710-04911	Muffler Stud M8×34
21	751-10657	Muffle Stud Kit
22	951-11289	Exhaust Pipe Gasket
24	951-14267	Muffler Body
25	751-14311	Muffler Shield
26	951-14310	Muffler Guard
27	710-06073	Bolt M5×8
28	712-04214	Nut, M8

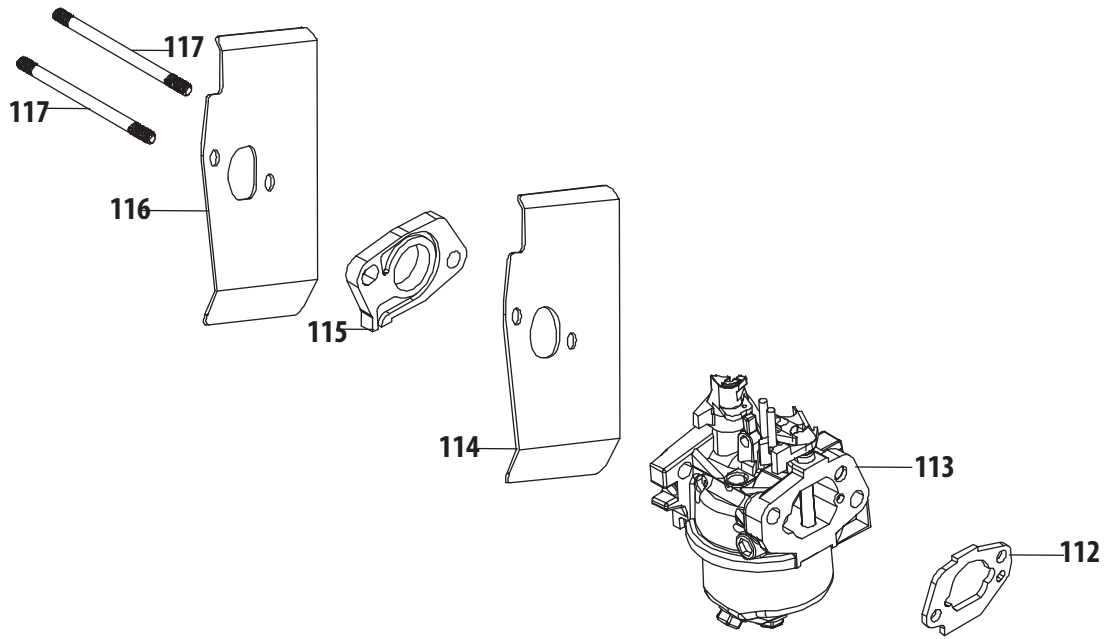


# Engine Model 1X65TU Air Cleaner



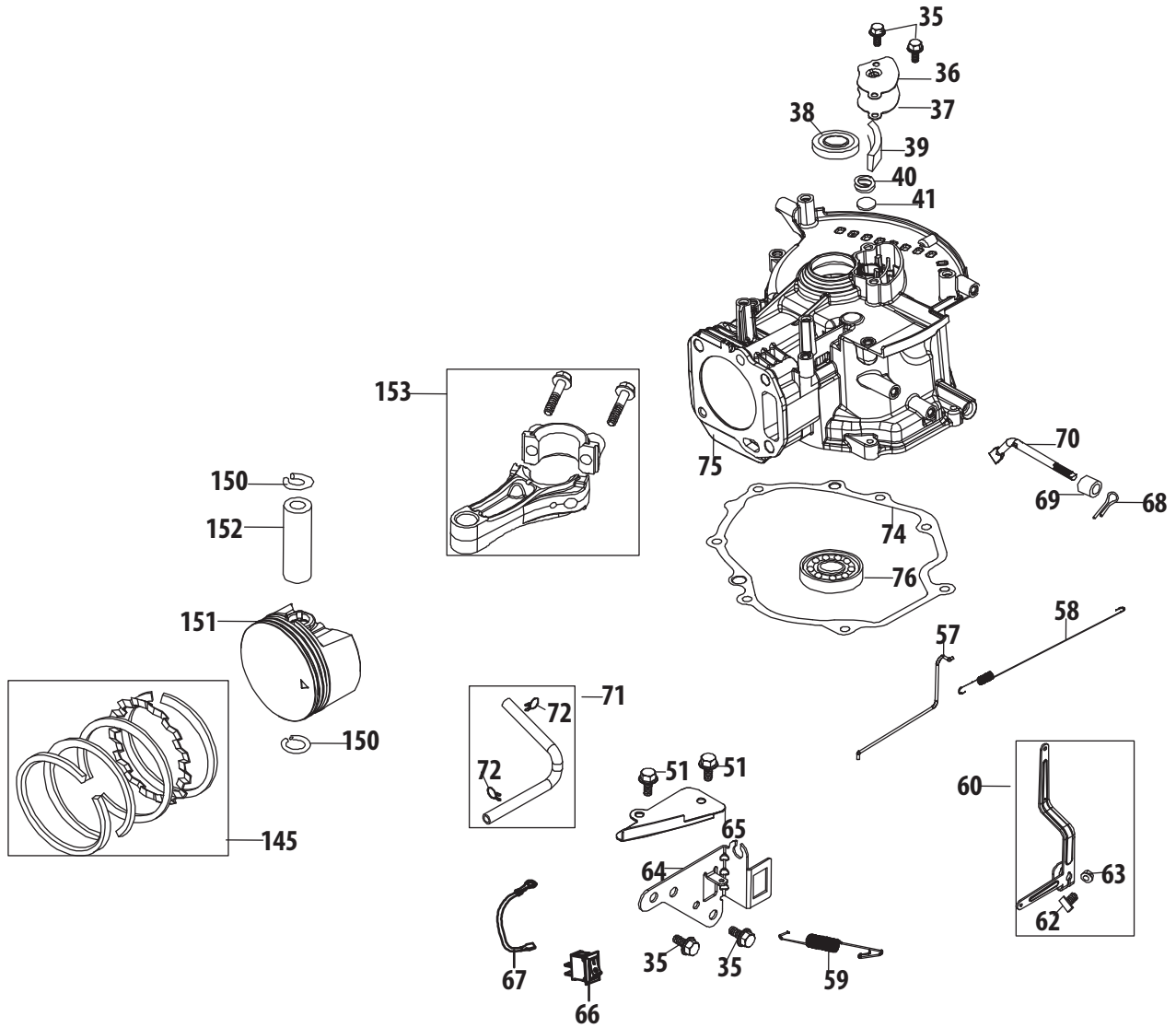
Ref.	Part Number	Description
104	710-04969	Bolt M6X30 Af Base/Coil/E-Starter
106	751-14439	Air Filter Cover
107	951-14632	Air Filter Element, Paper
108	712-05015	Nut M6X10Mm Starter/Carb/Muff





Ref.	Part Number	Description
112	951-14419	Air Filter Base Gasket
113	651-05220	Carburetor Assembly
113	751-14815	Carburetor Rebuild Kit
114	951-14424	Carburetor Gasket
115	951-11738	Carburetor Insulator
116	751-14827	Carburetor Gasket
117	751-14826	Carb Stud M6×87

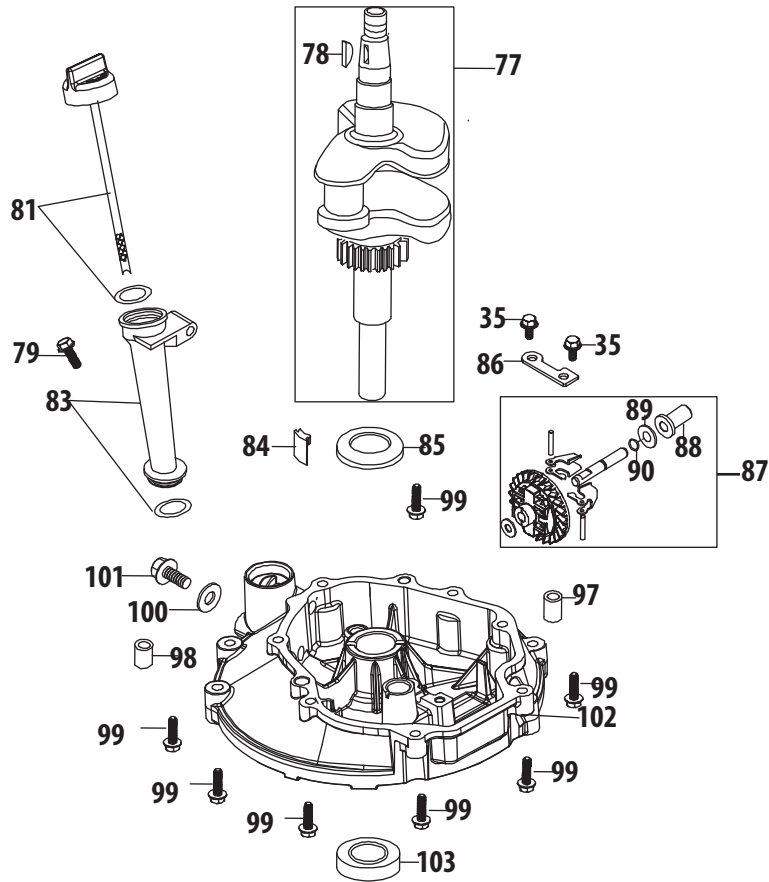
# 1X65TU Crankcase



## 1X65TU Crankcase

Ref.	Part Number	Description	Ref.	Part Number	Description
35	710-04916	Bolt M6X14 Multi-Purpose	66	725-06174	Ignition Switch
36	951-14404	Breather Cover Plate	67	725-06175	Ignition Switch Ground Wire
37	951-14405	Breather Gasket	68	714-04078	Governor Arm Shaft Cotter Pin
38	951-11596	Upper Crankshaft Seal	69	951-11574	Governor Seal
39	951-11730	Breather Screen	70	951-14416	Governor Arm Shaft
40	732-04718	Breather Valve Spring	71	951-11520	Breather Hose Assembly
41	951-11614	Breather Valve	72	726-04101	Breather Hose Clamp
51	710-04915	Bolt M6X12 Multi-Purpose	74	951-14415	Crankcase Cover Gasket
57	951-14410	Throttle Linkage	75	751-14635	Crankcase
58	951-14409	Throttle Linkage Spring	76	951-11369	Main Bearing
59	951-14411	Governor Spring	145	951-14433	Piston Ring Set
60	951-14412	Governor Arm Assembly	150	951-11603	Piston Pin Snap Ring
62	710-04908	Governor Arm Bolt	151	951-14434	Piston
63	712-05015	Governor Arm Nut M6	152	951-14435	Piston Pin
64	951-14413	Component Bracket	153	951-14436	Connecting Rod Assembly
65	951-14605	Air Vane Cover Plate			

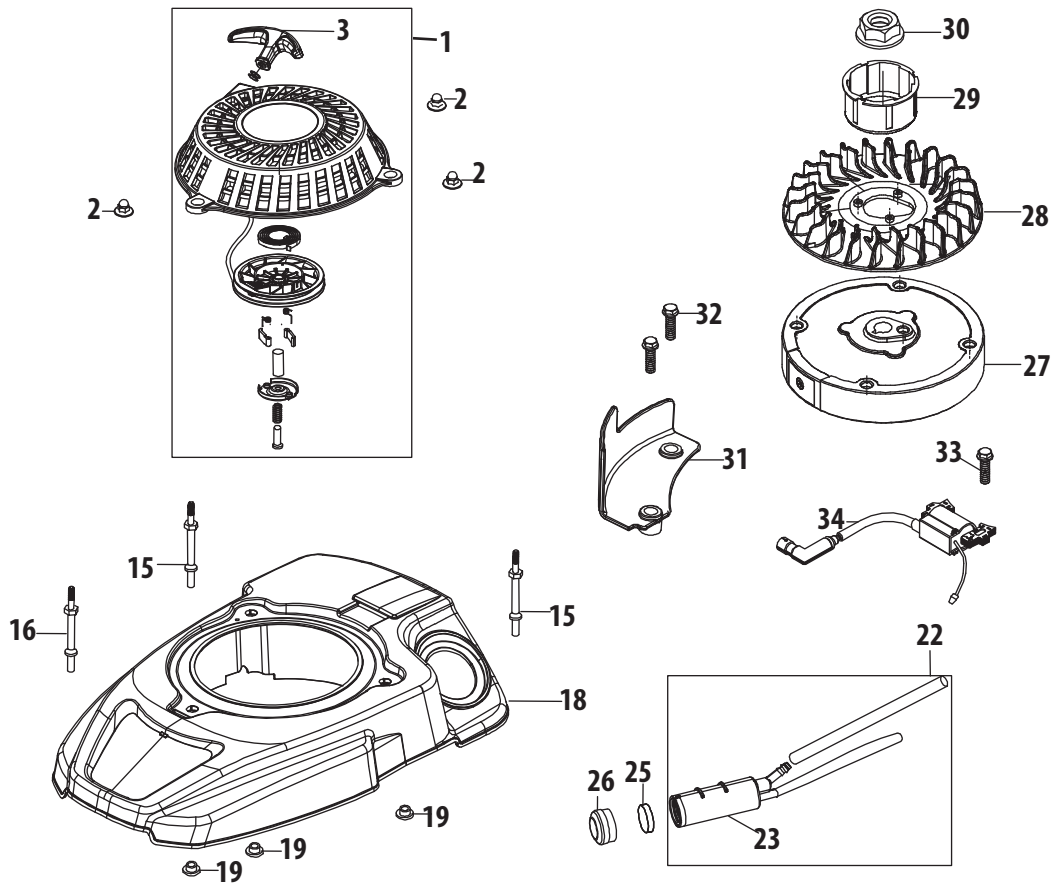
# 1X65TU Crankshaft & Cover



Ref.	Part Number	Description
35	710-04916	Bolt M6X14 Multi-Purpose
77	951-14607	Crankshaft Assembly
78	951-10307	Flywheel Key
79	710-04980	Bolt M6X35 Af Base/Brake/Dipstick
81	751-14440	Dipstick
83	751-14441	Oil Fill Tube
84	951-11733	Oil Return Seal
85	736-04491	Crankshaft Thrust Washer
86	951-11609	Governor Gear Mounting Plate
87	951-11549	Governor Gear/Shaft Assembly

Ref.	Part Number	Description
88	931-09595	Governor Slide Cap
89	936-05038	Governor Slide Cap Washer
90	916-05003	Governor Shaft Stop Ring
97	715-04092	Crankcase Cover Dowel Pin Φ7×14
98	715-04096	Crankcase Cover Dowel Pin Φ9×14
99	710-04943	Bolt M6X28 T/X/P Multi-Purpose
100	736-04440	Oil Drain Plug Washer
101	710-04906	Oil Drain Plug
102	951-14418	Crankcase Cover
103	951-11545	Lower Crankshaft Seal

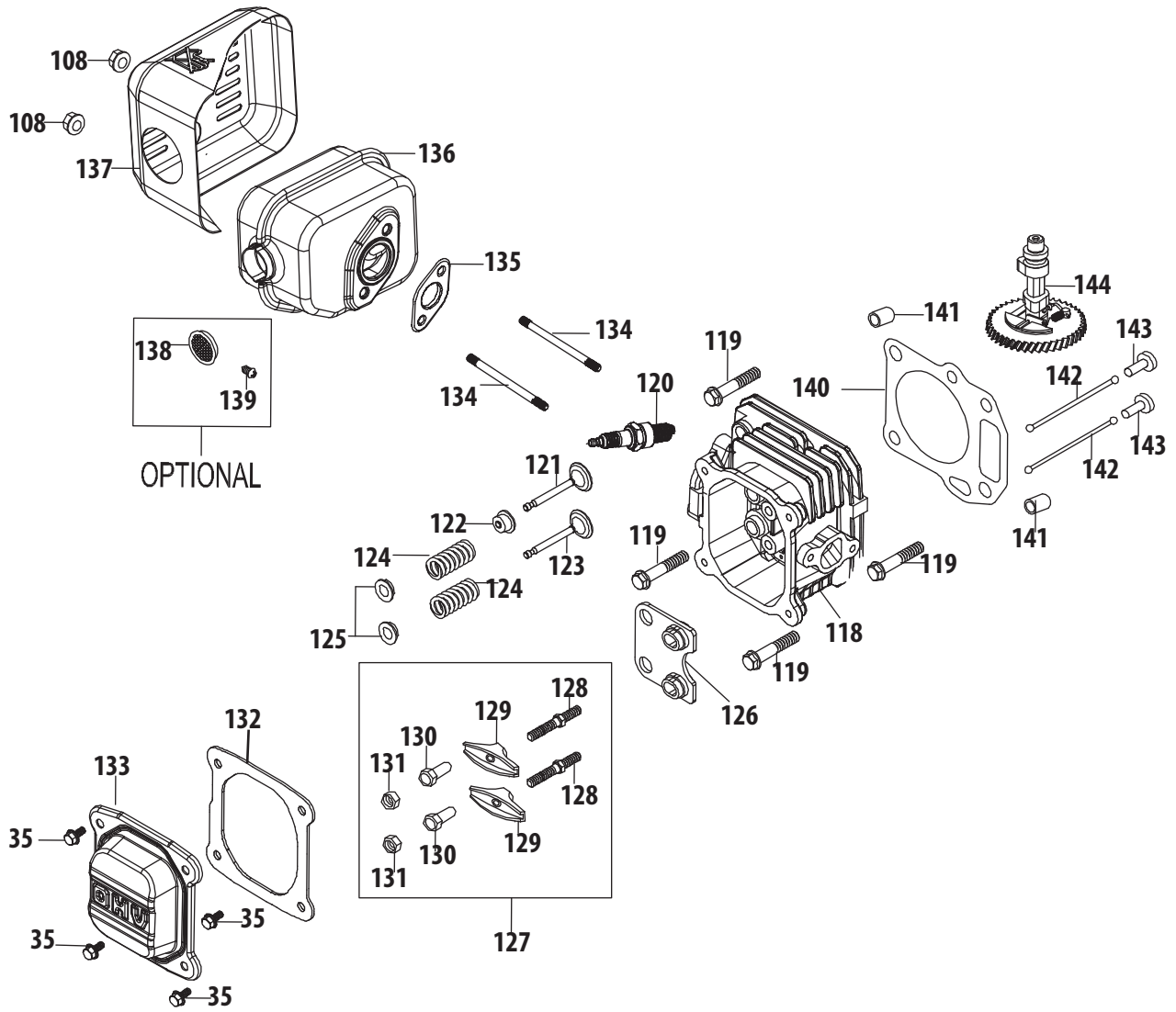
# 1X65TU Flywheel & Shroud



Ref.	Part Number	Description
1	951-14396	Starter Recoil Assembly
2	712-04276	Starter Acorn Nut
3	731-07925	Starter Handle
15	951-14397	Starter/Shroud Rear Stud M6×78.5
16	951-14398	Starter/Shroud Front Stud M6×74
18	951-14399	Engine Shroud
19	750-05320	Engine Shroud Spacer
22	751-14442	Carbon Canister Assembly
23	951-14126	Carbon Canister
25	951-14400	Carbon Canister Filter

Ref.	Part Number	Description
26	951-14127	Carbon Canister Filter Cap
27	951-14596	Flywheel
28	951-10934	Cooling Fan
29	951-12161	Starter Cup
30	712-04287	Flywheel Nut M14
31	951-14597	Engine Brake Cover Plate
31	951-05152	(Mtd Srvc Kit) Short Block
32	710-04919	Bolt M6×25 Ign/Brake/Cvr Plt
33	710-04918	Bolt M6×20 Ignition Coil
34	725-06269	Ignition Coil Assembly

# 1X65TU Cylinder Head

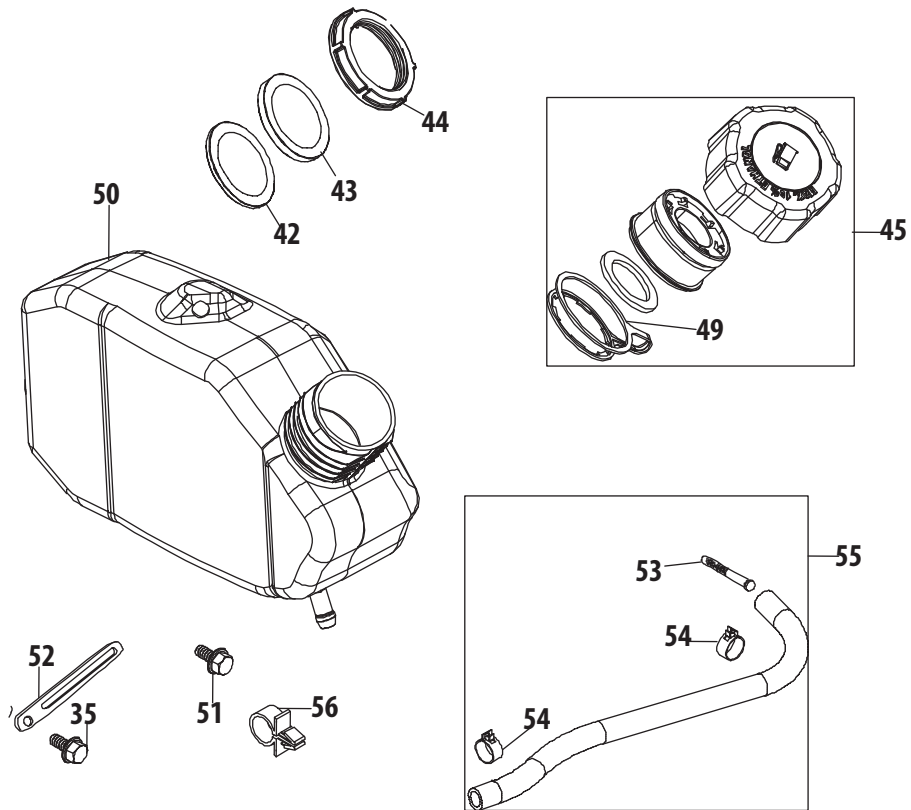


## 1X65TU Cylinder Head

Ref.	Part Number	Description
35	710-04916	Bolt M6X14 Multi-Purpose
106	751-14439	Air Filter Cover
118	951-05151	(Mtd Srvc Kit) Cylinder Head Assy
118	751-14639	Cylinder Head
119	710-06185	Bolt M8X54 Cylinder Head
120	951-14437	Spark Plug/F5Rtc
121	951-14640	Intake Valve
122	721-04237	Intake Valve Seal
123	951-14641	Exhaust Valve
124	951-12004	Valve Spring
125	708-04094	Valve Spring Retainer
126	951-11687	Push Rod Guide
127	951-11606	Rocker Arm Assembly
128	710-04902	Rocker Arm Stud
129	951-12001	Rocker Arm

Ref.	Part Number	Description
130	751-11123	Fulcrum Nut
131	751-11124	Jam Nut
132	951-11551	Valve Cover Gasket
133	951-14609	Valve Cover
134	710-05094	Muffler Stud M6X95
135	951-14427	Muffler Gasket
136	951-10403	Muffler Assembly
137	951-14430	Muffler Shield
138	951-10351	Spark Arrestor
139	710-04983	Spark Arrestor Screw
140	951-14431	Cylinder Head Gasket
141	715-04108	Cylinder Head Dowel Pin $\Phi$ 10x16
142	747-04862	Push Rod
143	951-14432	Tappet
144	951-11741	Camshaft Assembly

# 1X65TU Fuel Tank

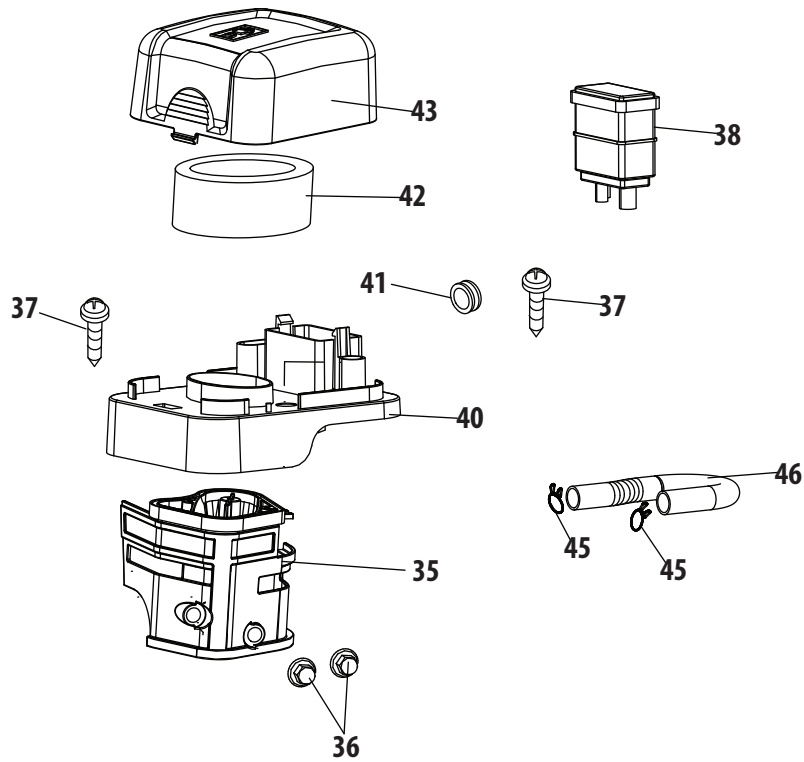


Ref.	Part Number	Description
35	710-04916	Bolt M6X14 Multi-Purpose
42	731-08133	Fuel Tank Lower Grommet
43	951-14406	Fuel Tank Upper Grommet
44	731-08104	Fuel Tank Nut
45	951-14407	Fuel Cap Assembly
49	951-14695	Fuel Cap Tether
50	931-04629	Fuel Tank
51	710-04915	Bolt M6X12 Multi-Purpose
52	951-11680	Flexible Clamp, Vent Hose
53	951-10358A	Fuel Filter
54	951-11700	Fuel Hose Clamp
55	751-14438	Fuel Hose
56	723-04071	Plastic Support Clamp

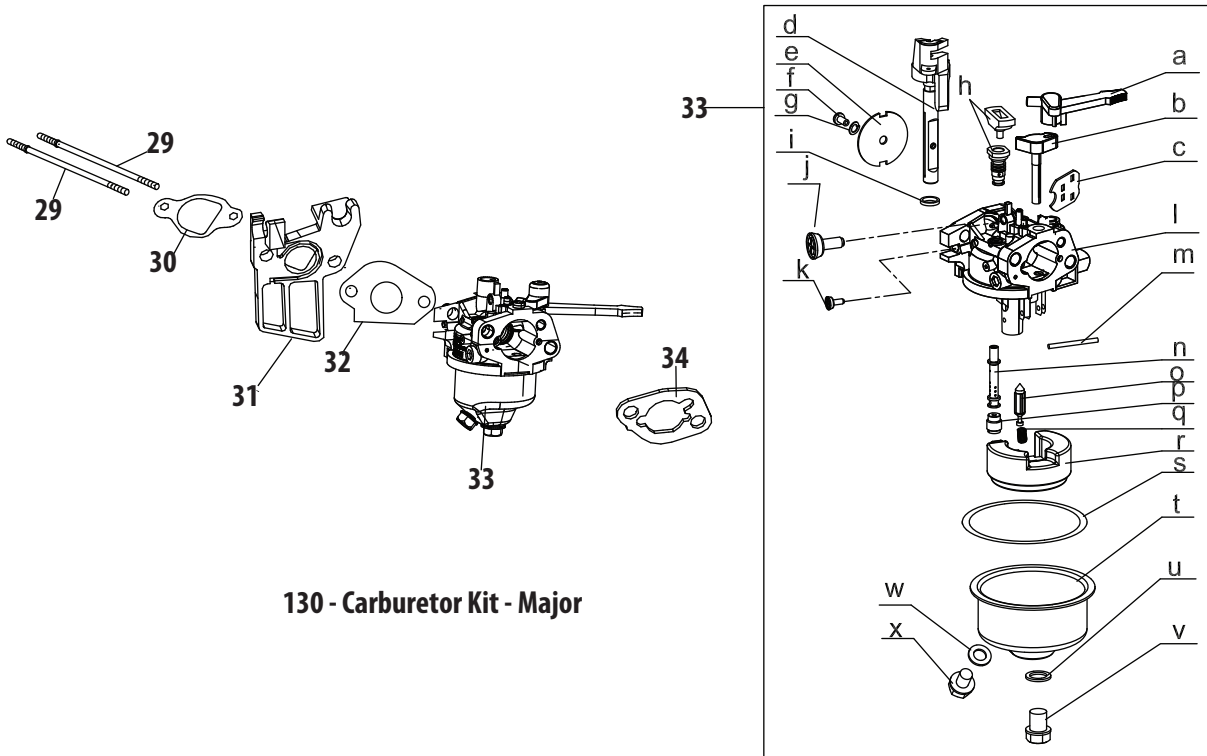


Lined writing area consisting of 25 horizontal lines.

# Engine Model 170-AUA Air Cleaner



Ref.	Part Number	Description
35	951-14315	Air Cleaner Housing
36	712-04213	Nut
37	951-14068	Self-Tapping Bolt4.2x16
38	951-14069	Carbon Canister
40	951-14070	Silencer Plate
41	750-05314	Bushing
42	951-14262	Air Filter
43	951-14071	Air Cleaner Cover
45	951-14073	Piping Hose
46	951-14074	Exhaust Piping

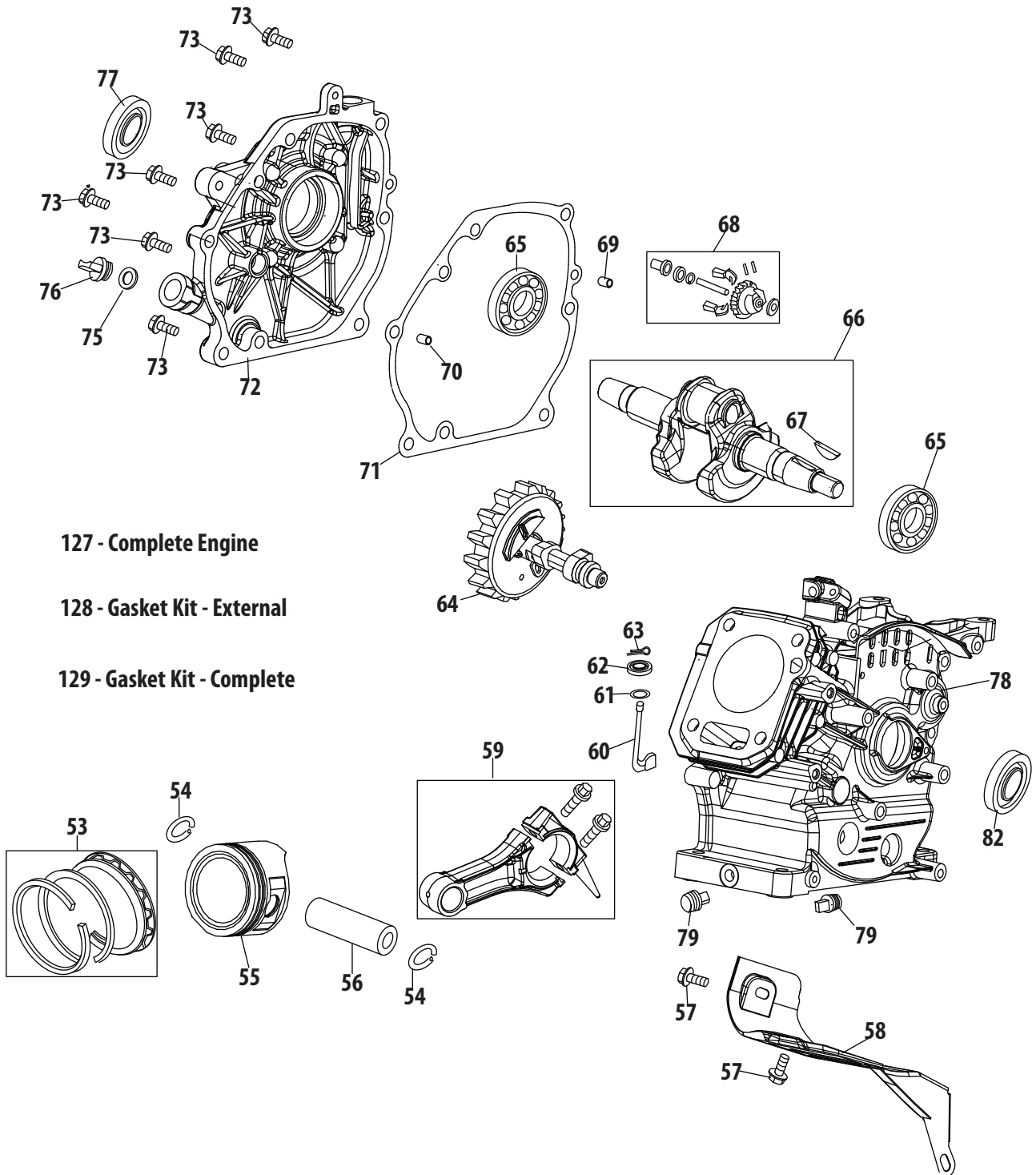


**130 - Carburetor Kit - Major**

Ref.	Part Number	Description
29	710-05101	Carburetor Stud Bolt M6×110
30	951-11567	Carburetor Insulator Gasket
31	951-11568	Carburetor Insulator
32	951-11569A	Carburetor Gasket
33	951-05021	Carburetor Assembly
34	951-11571	Carburetor Gasket Plate
130	951-05034	Carburetor Repair Kit

Ref.	Part Number	Description
a	951-11177	Control Lever,Choke
b	n/a	Choke Shaft
c	n/a	Choke Plate
d	n/a	Throttle Shaft
e	n/a	Throttle Plate
f	n/a	Fuel Shutoff Lever Screw M3×6
g	736-04638	Lock Washer
h	n/a	Idle Jet Assembly
i	n/a	Gasket, Throttle Plate
j	n/a	Idle Speed Adjusting Screw
k	n/a	Mixture Screw
l	n/a	Carburetor Body
m	n/a	Float Pin
n	n/a	Emulsion Tube
o	951-12875	Float Needle Valve
p	n/a	Main Jet
q	n/a	Needle Valve Spring
r	n/a	Float
s	951-11589	Fuel Bowl Gasket
t	n/a	Fuel Bowl
u	951-11348	Fuel Bowl Gasket
v	710-04945	Fuel Bowl Mounting Bolt
w	951-11349	Fuel Drain Plug Gasket
x	710-04938	Fuel Drain Plug

# 170-AUA Crankcase



127 - Complete Engine

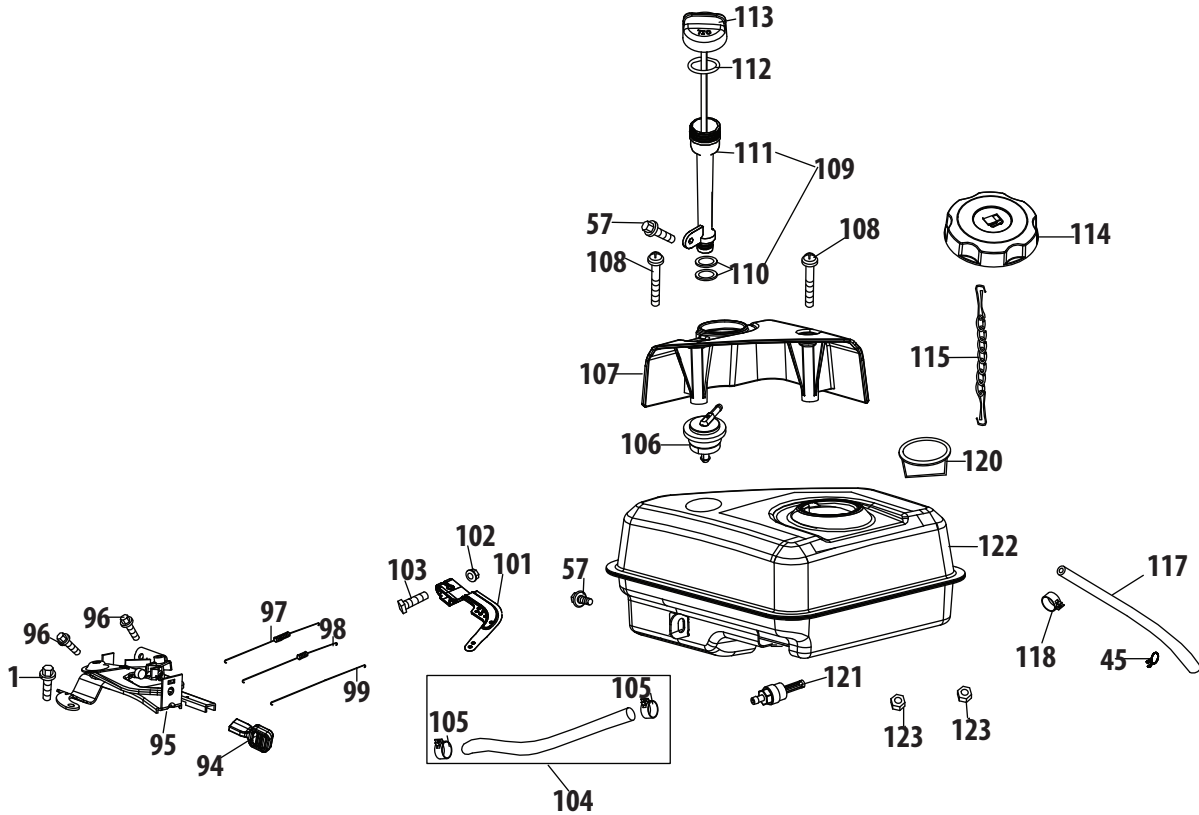
128 - Gasket Kit - External

129 - Gasket Kit - Complete

## 170-AUA Crankcase

Ref.	Part Number	Description	Ref.	Part Number	Description
53	951-14317	Piston Ring Set	72	951-12125	Crankcase Cover
54	951-11632	Piston Pin Snap Ring		751-14142	Crankcase Cover Service Kit (Incl. 65,71-73,75-77)
55	951-14318	Piston	73	710-04932	Bolt M8x32
56	951-11633	Piston Pin	75	951-11577	O-Ring 15.8 X 2.5
57	710-04915	Bolt M6x12	76	951-12394	Oil Plug
58	951-11113	Air Shield	77	951-11578	Oil Seal, 25x41.25x6
59	951-11573	Connecting Rod Assembly	78	751-14144	Crankcase Service Kit (Incl. 62,65,77-79,82)
60	951-14053	Governor Shaft		951-05031	Shortblock Assembly (Incl. 6,22,30-32,47,49,50, 53-56,59-79,82)
61	736-04461	Washer - 5.2 X 1.9	79	951-12514	Oil Drain Plug
62	951-11902	Governor Seal	82	951-12126	Oil Seal
63	714-04078	Cotter Pin	127	952Z170-AUA	Complete Engine
64	951-11575	Camshaft Assembly	128	951-12026A	Gasket Kit - External (Incl. 6,22,30-32,34)
65	951-11369	Radial Ball Bearing, 6205	129	951-05032	Gasket Kit - Complete (Incl. 6,22,30-32,34,47,61,62,71,77,82)
66	751-14143	Crankshaft Service Kit (Incl. 65-67,77,82)			
67	951-10307	Woodruff Key			
68	951-11576	Governor Gear/Shaft Assembly			
69	715-04092	Dowel Pin 7x14			
70	715-04096	Dowel Pin 9x14			
71	951-11371	Crankcase Cover Gasket			

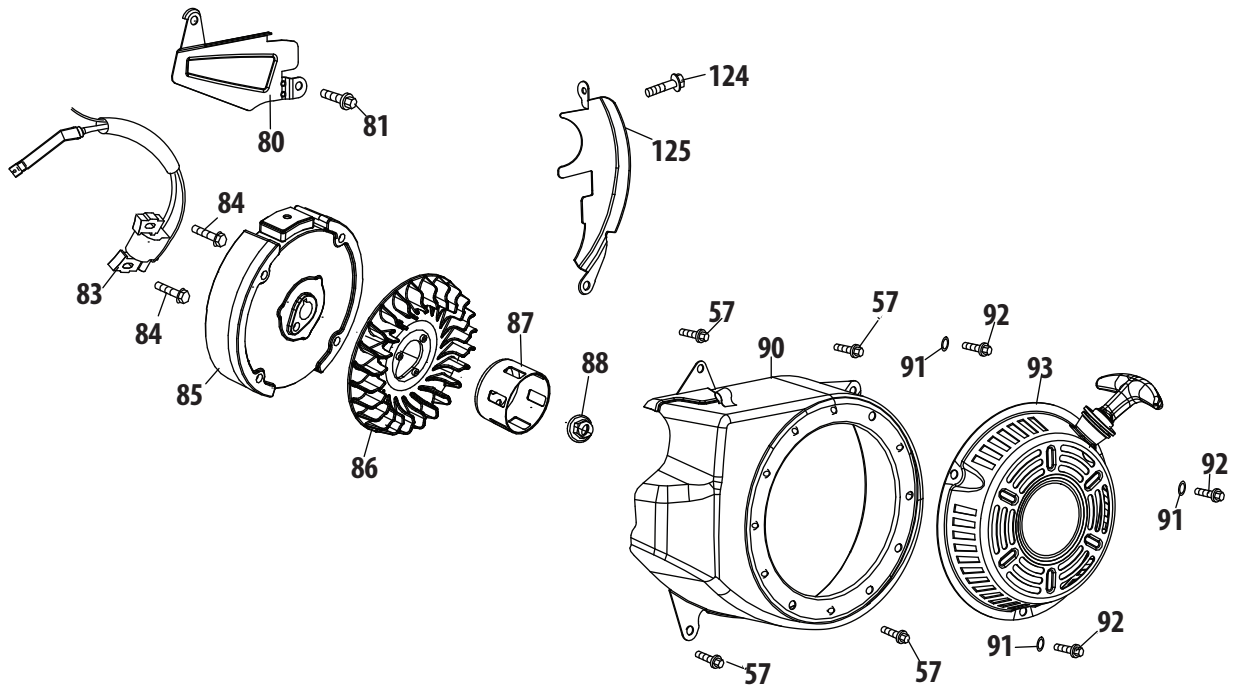
# 170-AUA Fuel Tank & Mounting



Ref.	Part Number	Description
1	710-04968	Bolt M6x16
57	710-04915	Bolt M6x12
94	951-11067	Throttle Control Knob
95	951-12131	Primer Bracket
96	710-05103	Bolt M6x12
97	951-11585	Governor Spring
98	951-10664	Throttle Linkage Spring
99	951-10665	Governor Rod
101	951-11106	Governor Arm Bracket
102	712-04212	Nut M6
103	710-04908	Governor Arm Bolt
104	751-10650	Fuel Line Kit
105	951-11700	Fuel Hose Clamp
106	951-14075	Valve, Roller Over

Ref.	Part Number	Description
107	951-11914	Engine Dipstick Cover
108	710-04905	Bolt
109	951-11913	Oil Fill Tube Assembly
110	951-11904	Dipstick O-Ring
111	951-10656	Dipstick Tube
112	951-11381	O-Ring
113	951-12482	Dipstick Assembly
114	951-12535	Fuel Cap
115	951-14076	Fuel Cap Chain
116	951-14133	Primer Hose Assembly
120	951-11933	Fuel Level Indicator
121	951-10651	Fuel Tank Nipple
122	951-14332	Fuel Tank
123	712-05015	Nut M6

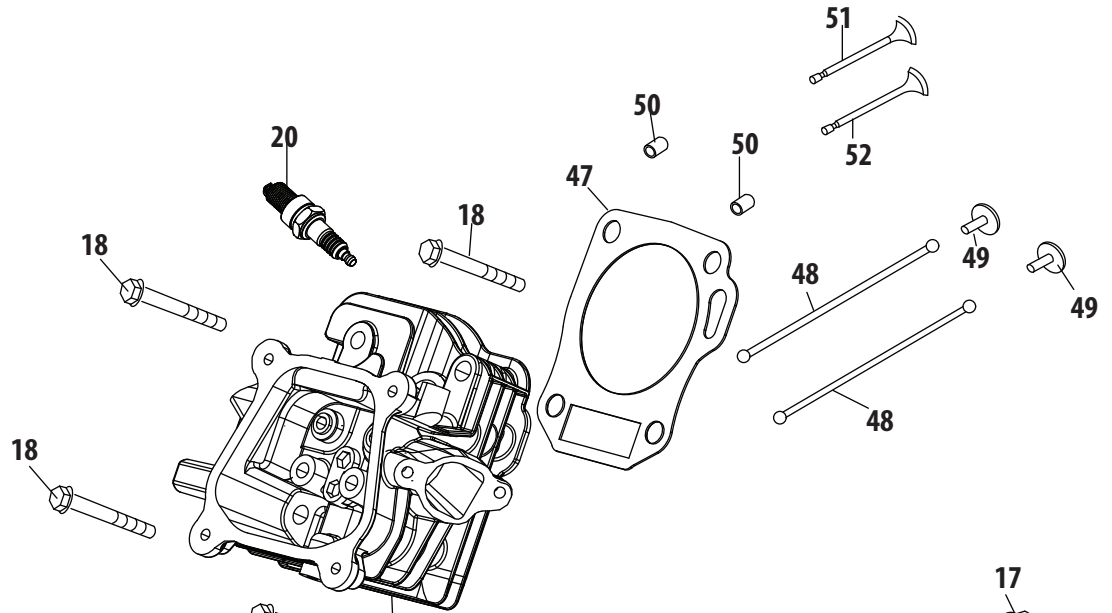
# 170-AUA Flywheel & Blower Housing



Ref.	Part Number	Description
57	710-04915	Bolt M6x12
80	951-11110	Air Flow Shield
81	710-04940	Bolt M6x10
83	951-11637	Ignition Coil
84	710-04919	Flange Bolt M6X25
85	951-14320	Flywheel
86	951-10934	Cooling Fan
87	951-10911	Starter Cup

Ref.	Part Number	Description
88	712-04209	Flywheel Nut, M14 X 1.5
90	951-11583	Blower Housing
91	736-04455	Flat Washer
92	710-04974	Bolt M6x10
93	951-12418	Recoil Starter Assembly
124	710-04918	Bolt:Flange M6X20
125	951-14138	Blower Housing Shield

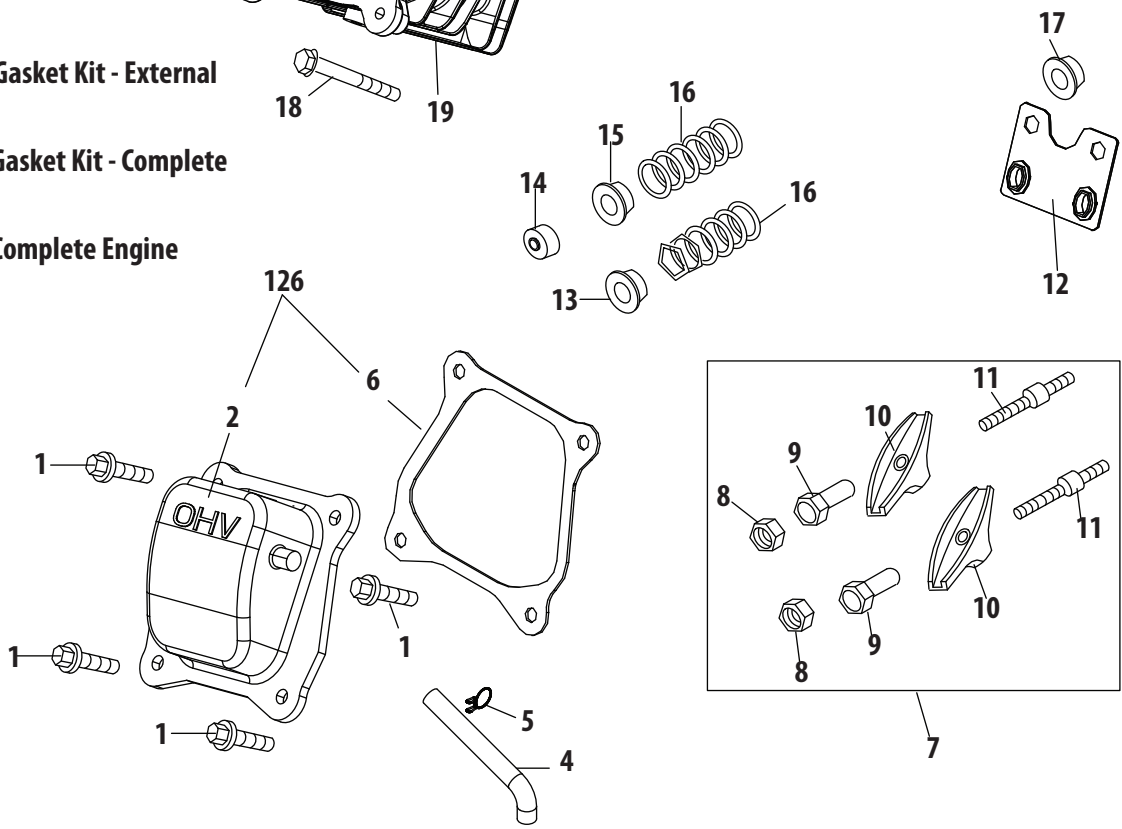
# 170-AUA Cylinder Head



128 - Gasket Kit - External

129 - Gasket Kit - Complete

127 - Complete Engine



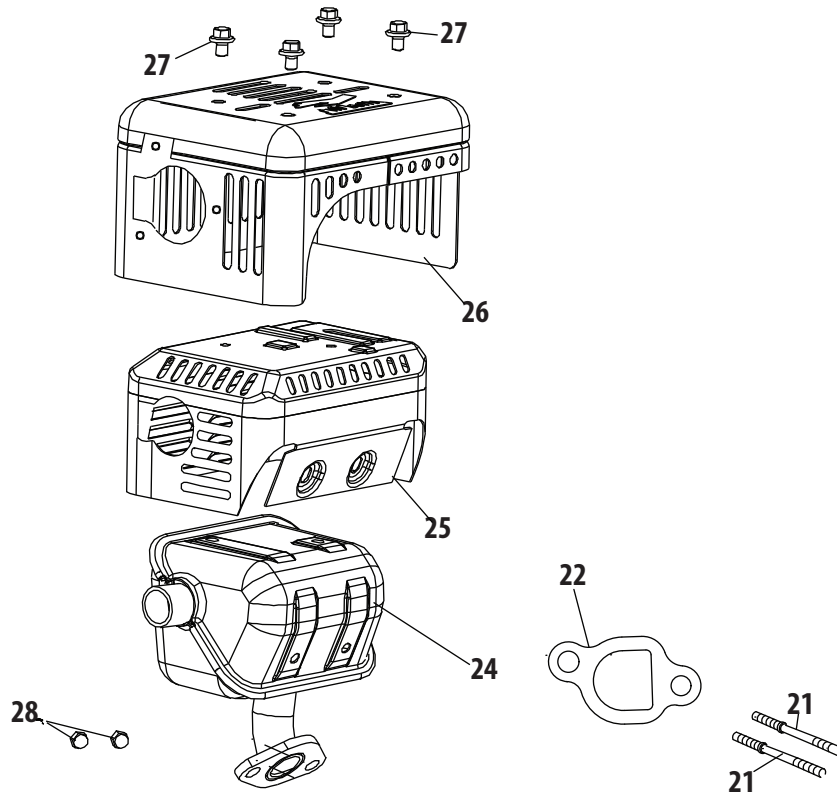


## 170-AUA Cylinder Head

Ref.	Part Number	Description
1	710-04968	Bolt M6x16
2	951-11054B	Valve Cover
4	731-07059	Breather Hose
5	726-04101	Breather Hose Clamp
6	951-11565	Valve Cover Gasket
7	951-11892	Rocker Arm Assembly
8	751-11124	Nut, Pivot Locking
9	751-11123	Adjusting Nut ,Valve
10	951-11893	Rocker Arm
11	710-04902	Bolt, Pivot
12	951-11895	Push Rod Guide
13	951-12000	Valve Spring Retainer (Intake)
14	951-12002	Exhaust Valve Adjuster
15	951-12003	Valve Spring Retainer (Exhaust)
16	951-12004	Valve Spring
17	951-11894	Valve Seal (Intake)

Ref.	Part Number	Description
18	710-06080	Bolt M8x55
19	951-05029	Cylinder Head Assembly (Incl. 6,8-17,19,22,30-32,47,51,52)
20	951-10292	Spark Plug/F6Rtc
47	951-14316	Gasket, Cylinder Head
48	751-10648	Push Rod Kit
49	951-11899	Tappet
50	715-04108	Dowel Pin 10X16
51	751-10647A	Valve Kit
52	751-10647A	Valve Kit
126	951-05033	Valve Cover Kit
127	952Z170-AUA	Complete Engine
128	951-12026A	Gasket Kit - External (Incl. 6,22,30-32,34)
129	951-05032	Gasket Kit - Complete (Incl. 6,22,30-32,34,47,61,62,71,77,82)

# 170-AUA Muffler



Ref.	Part Number	Description
21	710-04911	Muffler Stud M8×34
21	751-10657	Muffle Stud Kit
22	951-11289	Exhaust Pipe Gasket
24	951-14593	Muffler Body
25	751-14311	Muffler Shield
26	951-14310	Muffler Guard
27	710-06073	Bolt M5×8
28	712-04214	Nut, M8





To order replacement parts or locate your nearest service dealer call a Customer Support at (800) 800-7310.  
or visit [www.mtdproducts.com](http://www.mtdproducts.com) to find the nearest authorized dealer in your area.

---

**MTD LLC, P.O. BOX 361131 CLEVELAND, OHIO 44136-0019**

---