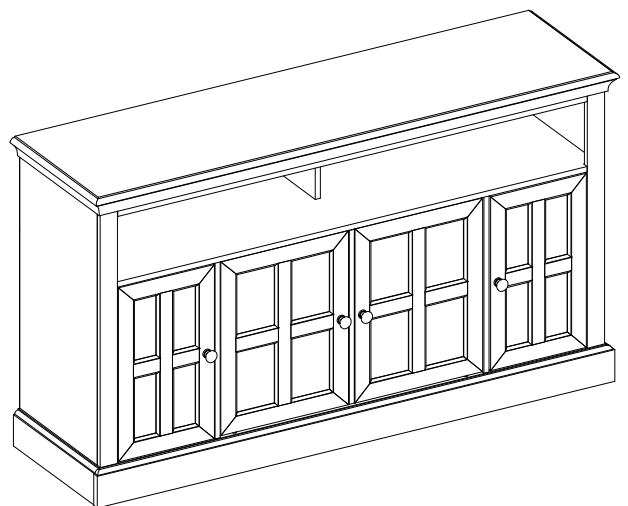
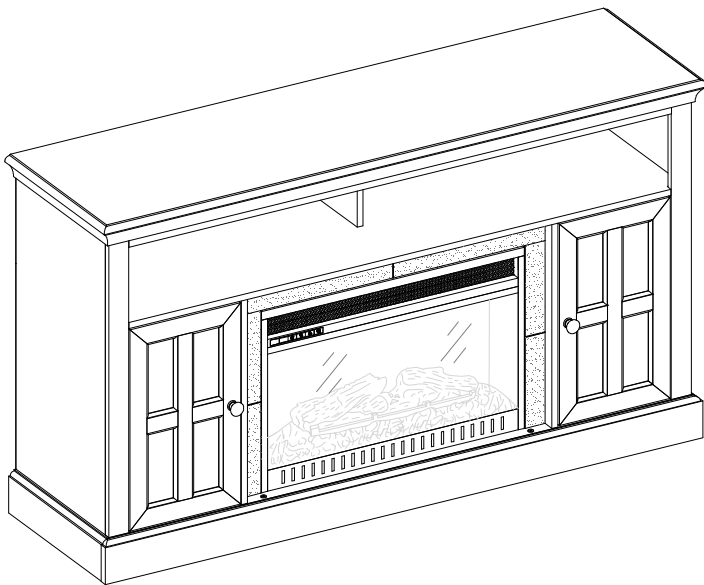


ASSEMBLY INSTRUCTIONS

Elmhurst 60 in. Media Console with Infrared Electric Fireplace in Brown Twilight Grey Finish



Configuration with insert cover when insert not in use

**Questions, problems, missing parts? Before returning to the store,
call Home Decorators Collection Customer Service
8 a.m. - 7 p.m., EST, Monday-Friday
9 a.m. - 6 p.m., EST, Saturday**

1-800-986-3460

HOMEDEPOT.COM/HOMEDECORATORS

THANK YOU

We appreciate the trust and confidence you have placed in Home Decorators Collection through the purchase of this fireplace console. We strive to continually create quality products designed to enhance your home. Visit us online to see our full line of products available for your home improvement needs. Thank you for choosing Home Decorators Collection!

Table of Contents

Table of Contents.....	2
Safety Information.....	2
Warranty	2
Pre-Assembly.....	2
Planning Assembly.....	2
Tools required	2

Hardware Included.....	3
Package Contents	4
Assembly.....	5
Care and Maintenance.....	18

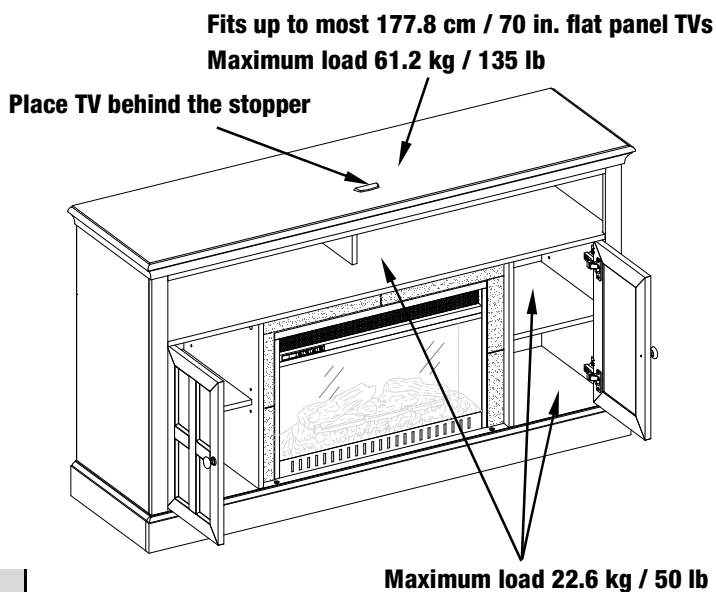
Safety Information

Please read and understand these instructions before assembling and using this console. Save these instructions for future reference.

MAXIMUM RECOMMENDED WEIGHT LOADS



WARNING: This unit is not intended for use with CRT TVs. Use only with flat panel TVs and audio/video equipment meeting recommended size and weight limits. Never use with larger/heavier than recommended flat panel TVs or equipment. To avoid instability, place flat panel TV in the center of the unit; the base of the television must be able to rest on the supporting surface of the unit without over-hanging the edges. Improperly positioned flat panel TVs, or flat panel TVs or other equipment that exceed recommended size and weight limits could fall off or break the unit, causing possible serious injury.



Warranty

We are confident that you will be delighted with this purchase. Should this product be defective in workmanship or materials, or fail under normal use, we will repair or replace it for a period of up to one (1) year from date of purchase.

This warranty gives you specific rights and you may also have other rights which vary from state to state.

Contact the Customer Service Team at 1-800-986-3460 or visit www.HomeDepot.com/homedecorators.

Pre-Assembly

PLANNING ASSEMBLY

Compare all parts with the Hardware Included and Package Contents list. If any part appears missing or damaged, do not assemble this product and contact the Customer Service Team at 1-800-986-3460.

TOOLS REQUIRED



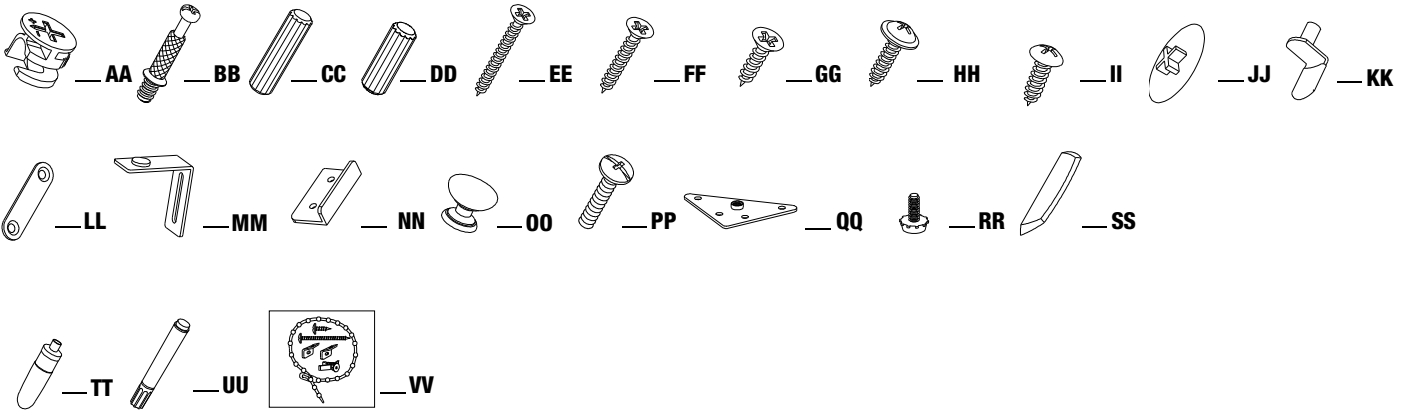
Phillips
screwdriver
(not provided)

Pre-Assembly (continued)

HARDWARE INCLUDED



NOTE: Hardware not shown to actual size.

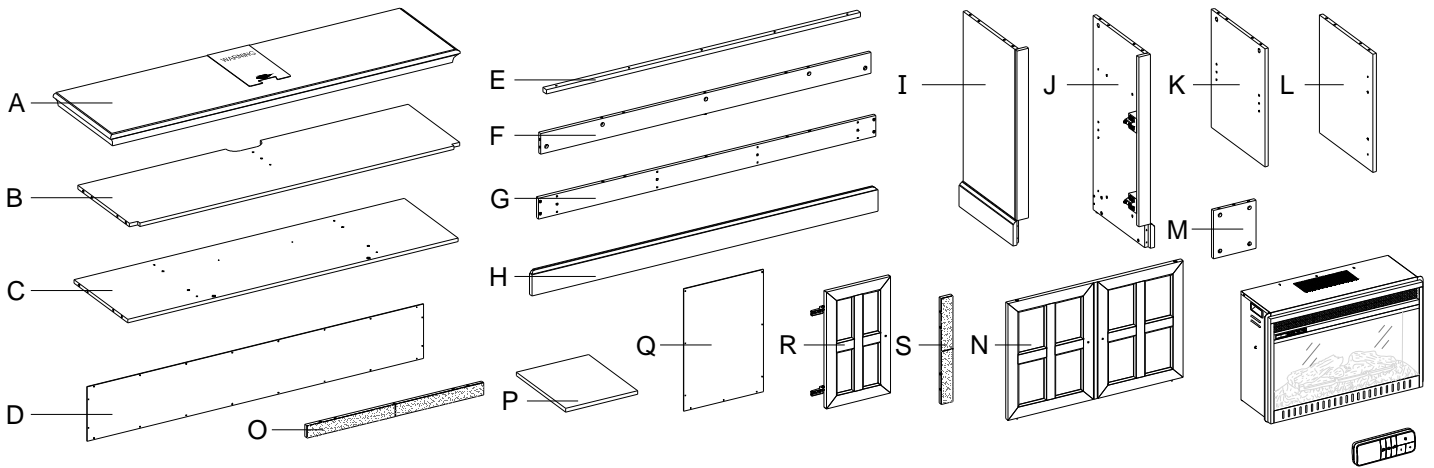


Part	Description	Quantity
AA	Cam lock	35 + 1 extra
BB	Cam bolt	35 + 1 extra
CC	Long wood dowel	34 + 1 extra
DD	Short wood dowel	4 + 1 extra
EE	Long wood screw	4 + 1 extra
FF	Medium wood screw	17 + 1 extra
GG	Short wood screw	16 + 1 extra
HH	Washer head screw	38 + 1 extra
II	Pan head screw	2 + 1 extra
JJ	Cam lock cover	16 + 1 extra
KK	Shelf pin	8 + 1 extra

Part	Description	Quantity
LL	Straight metal plate	2
MM	L-shaped metal brace	2
NN	Door stopper	2
OO	Knob	4
PP	Knob bolt	4
QQ	Triangle metal plate	2
RR	Floor leveler	2
SS	Acrylic stopper	1
TT	Glue	1
UU	Touch-up pen	1
VV	Tipping restraint hardware kit	2

Pre-Assembly (continued)

PACKAGE CONTENTS



Part	Description	Quantity
A	Top panel	1
B	Center shelf	1
C	Bottom panel	1
D	Upper back panel	1
E	Top crossbar	1
F	Bottom back stretcher	1
G	Bottom front stretcher	1
H	Bottom front molding	1
I	Left side panel	1
J	Right side panel	1
K	Left lower partition panel	1

Part	Description	Quantity
L	Right lower partition panel	1
M	Upper partition panel	1
N	Fireplace insert cover	1
O	Center crossbar	1
P	Adjustable shelf	2
Q	Lower back panel	2
R	Side door	2
S	Middle stile	2
	Fireplace insert	1
	Remote control with battery	1

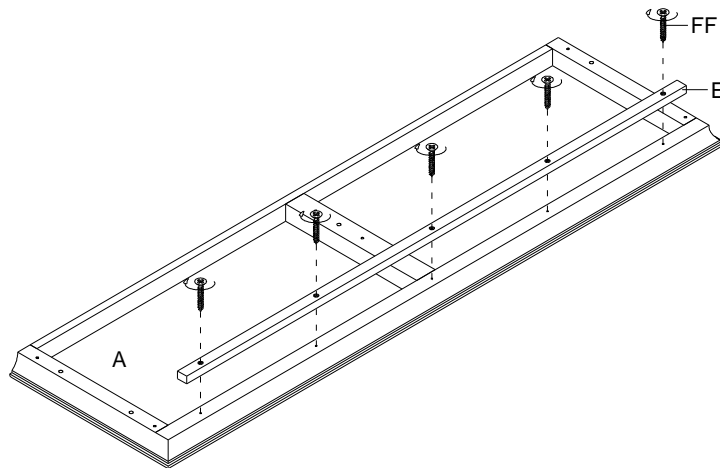
Assembly

1 Attaching the top crossbar



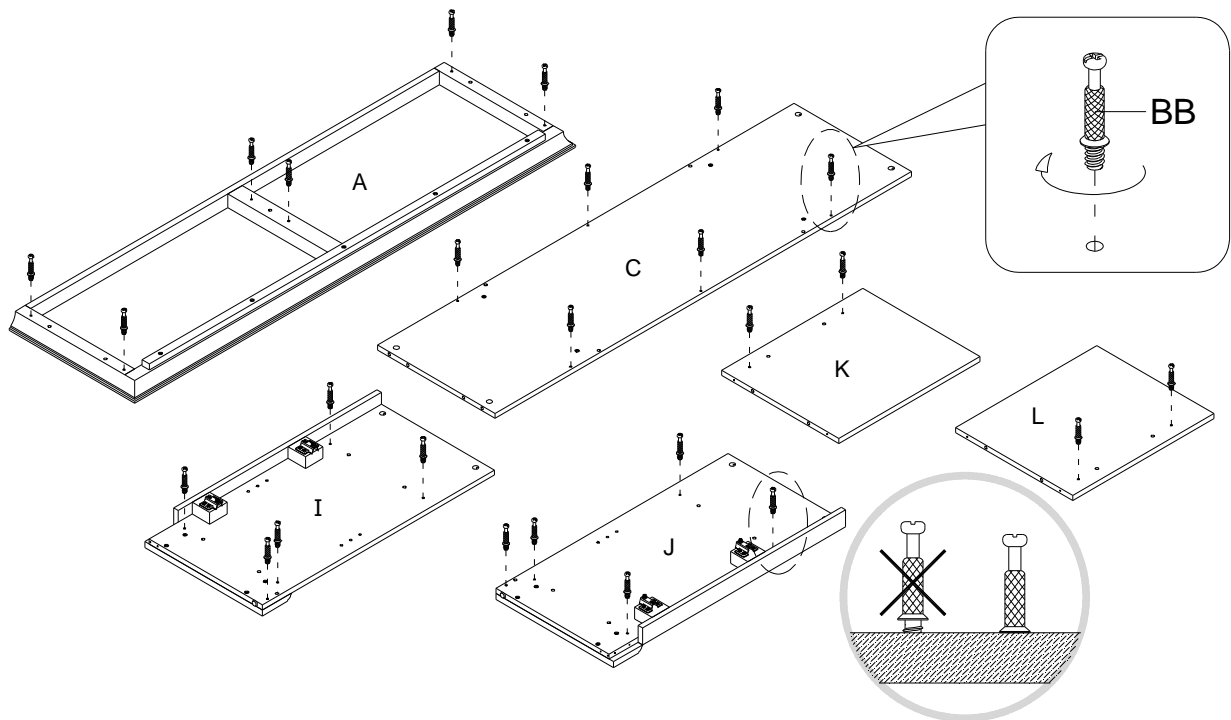
NOTE: Do not fully tighten all bolts until you finish assembling all parts. Once assembled, go back and fully tighten all bolts. This will make the assembly easier.

- Unpack the unit and confirm that you have all the hardware and required parts. Assemble the unit on a carpeted floor or the empty carton to avoid any scratches.
- Attach the top crossbar (E) to the top panel (A) with five medium wood screws (FF).



2 Screwing the cam bolts

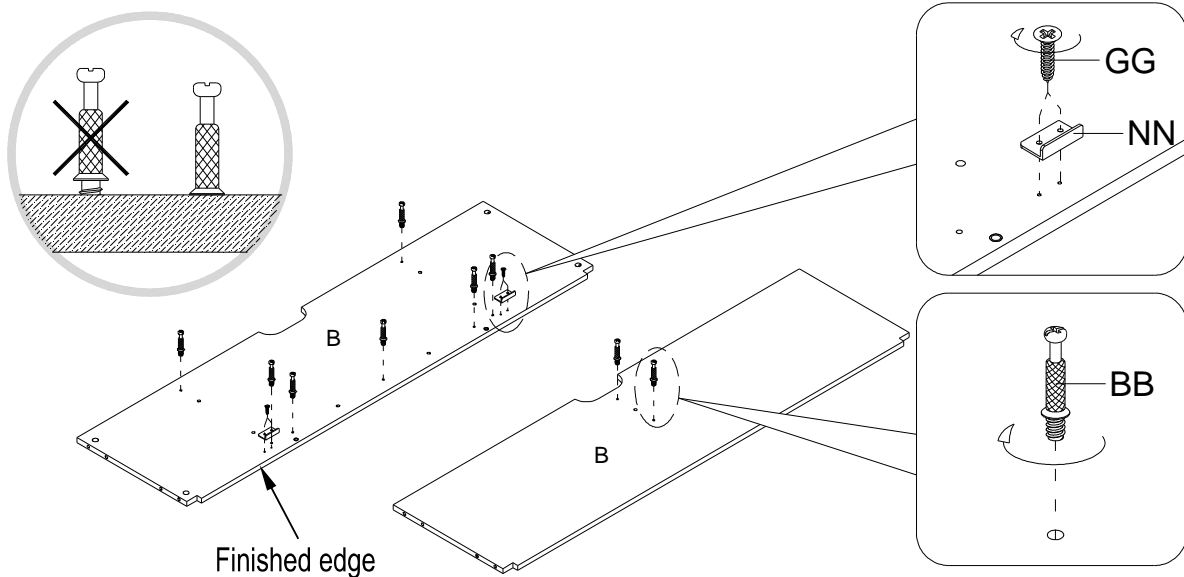
- Securely screw the cam bolts (BB) into the designated small holes on the top panel (A), the bottom panel (C), side panels (I and J) and the lower partition panels (K and L) using a Phillips screwdriver.



Assembly (continued)

3 Attaching the cam bolts and door stoppers

- Securely screw the cam bolts (BB) into the designated small holes on the center shelf (B) on both sides. Tighten with a Phillips screwdriver.
- Using the pilot holes as a guide, fasten two door stoppers (NN) to the center shelf (B) with four short wood screws (GG). Make sure that the right angle edge faces the finished edge.

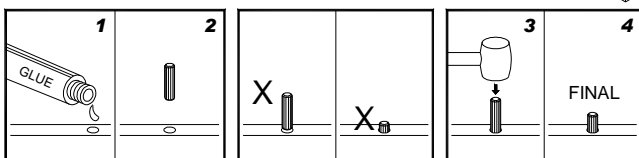
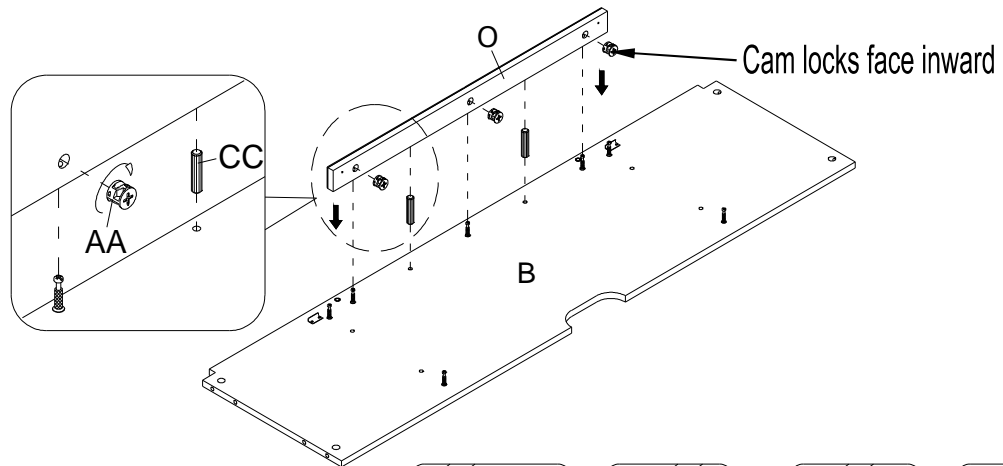


4 Installing the center crossbar

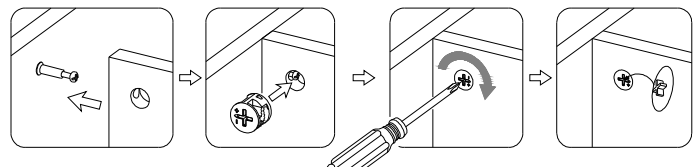


NOTE: Refer to the dowel and cam lock assembling guide drawings in this step for further clarification on how to properly glue in the wooden dowels and install cam locks. Apply this method whenever instructed to install wood dowels and cam locks.

- Align and attach the center crossbar (O) to the center shelf (B) with two long wood dowels (CC) and three cam locks (AA).



The dowel assembling guide

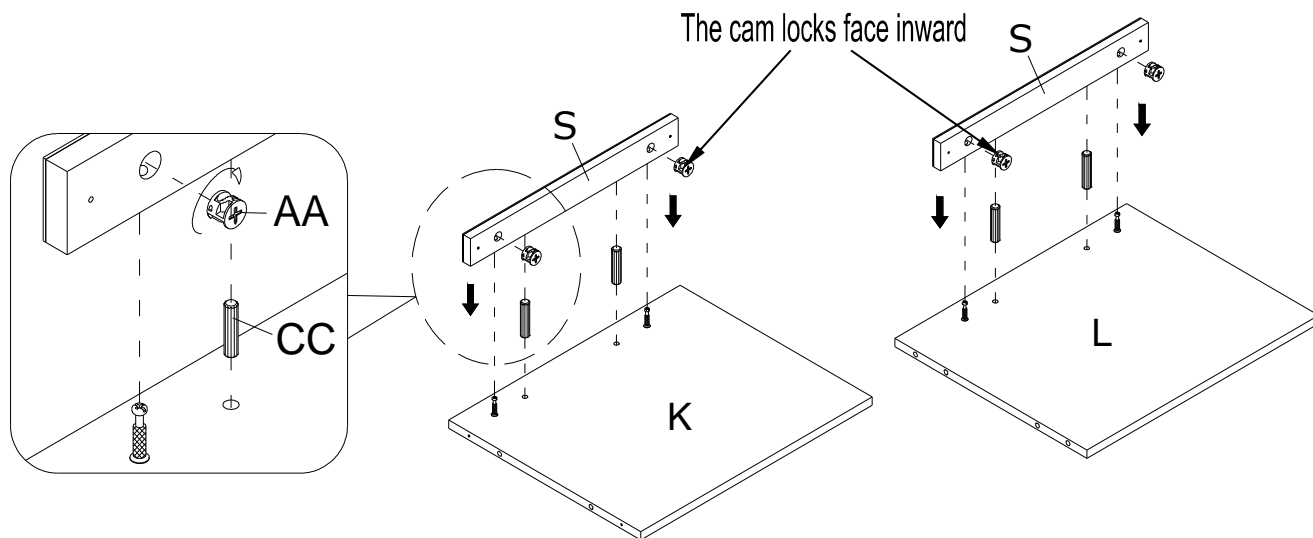


The cam lock assembling guide

Assembly (continued)

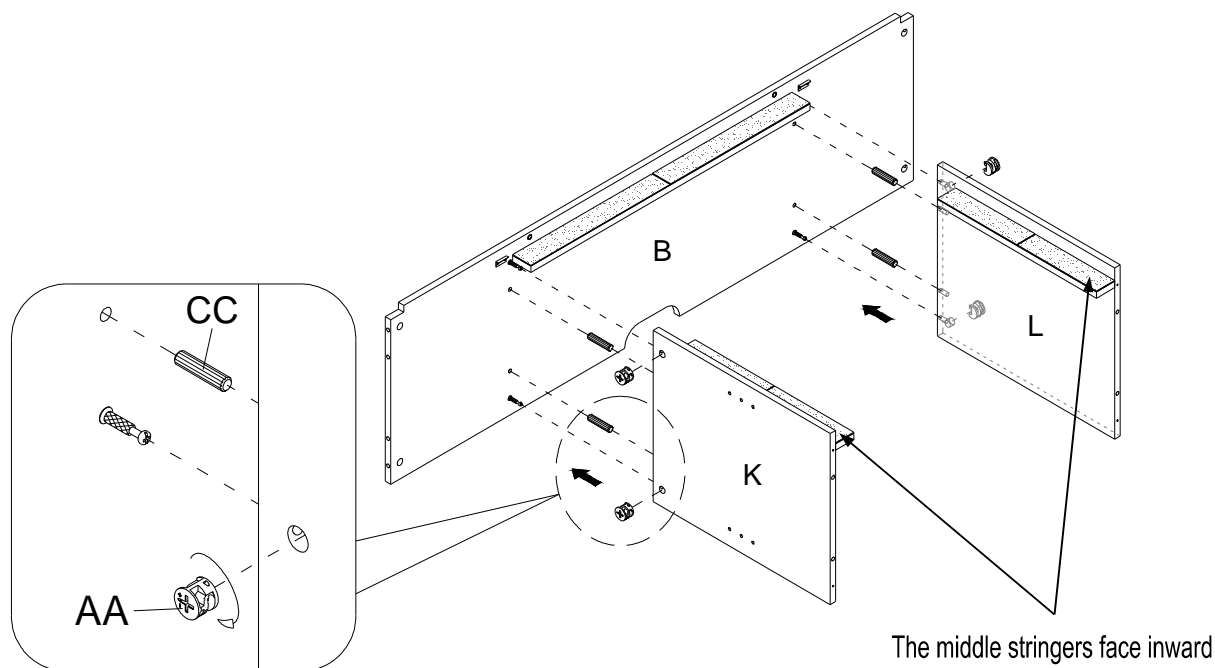
5 Attaching the middle stiles

- Fasten one middle stile (S) to the left lower partition panel (K) with two long wood dowels (CC) and two cam locks (AA).
- Repeat the same procedure to combine the other middle stile (S) and right lower partition panel (L) together.



6 Installing the lower partition panels

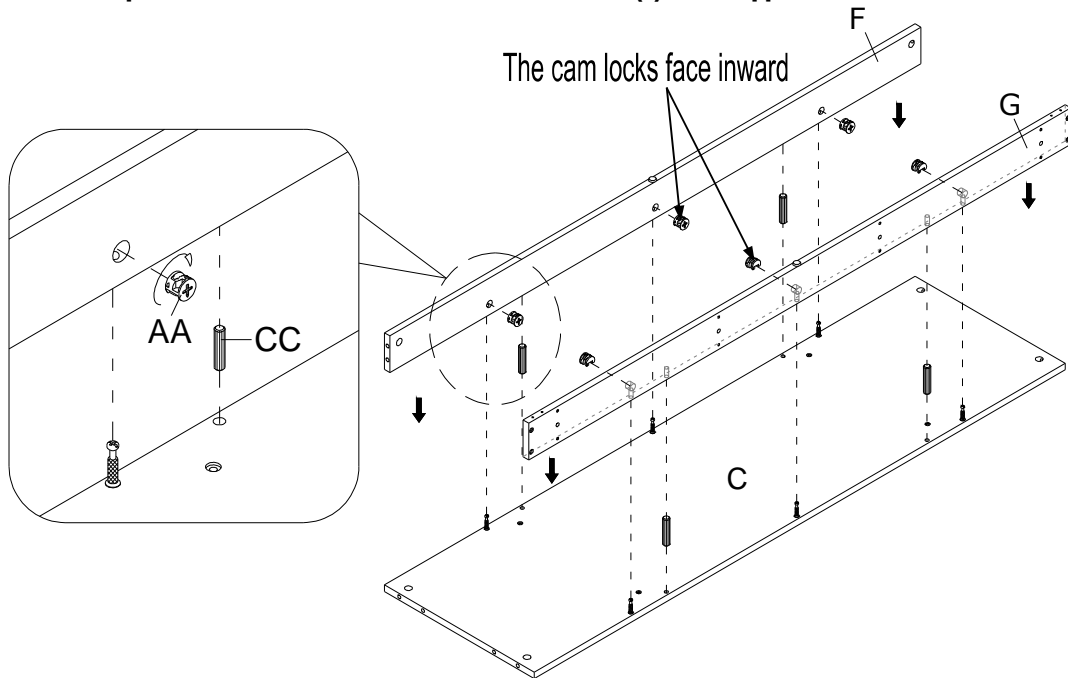
- Glue four long wood dowels (CC) into the top inner holes of the lower partition panels (K and L).
- Align the large holes on the center shelf (B) with the inserted wood dowels (CC) and press them together. Attach the lower partition panels (K and L) in place by engaging four cam locks (AA).



Assembly (continued)

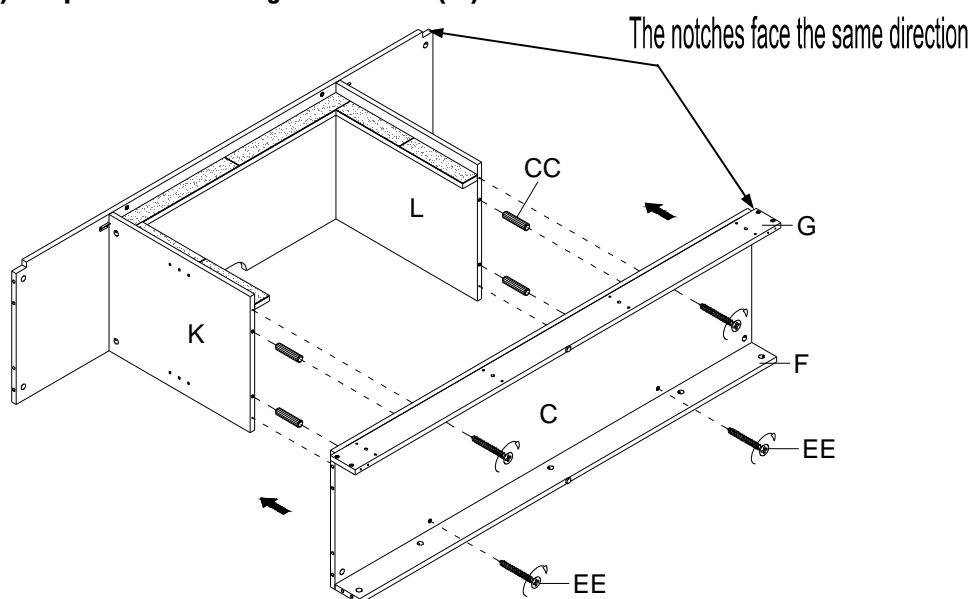
7 Attaching the bottom stretchers

- Glue two long wood dowels (CC) into the inner holes of the bottom front stretcher (G) and attach it to the bottom panel (C) with three cam locks (AA).
- Repeat the same procedure to attach the bottom back stretcher (F) at the opposite end.



8 Attaching the bottom panel

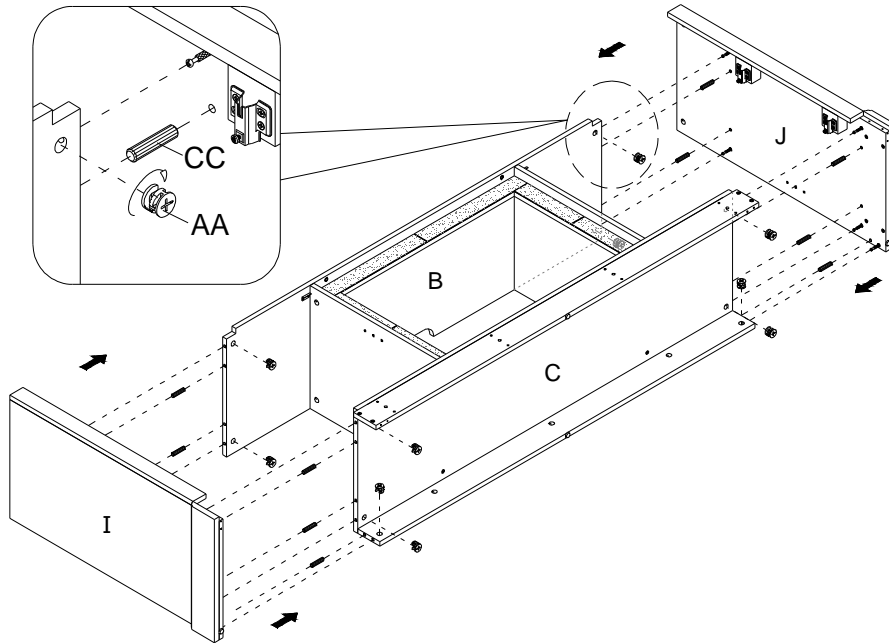
- Glue four wood dowels (CC) into the inner holes of the partition panels (K and L).
- Align the large holes on the bottom panel (C) with the inserted wood dowels (CC) and press them together. Attach the bottom panel (C) into place with four long wood screws (EE).



Assembly (continued)

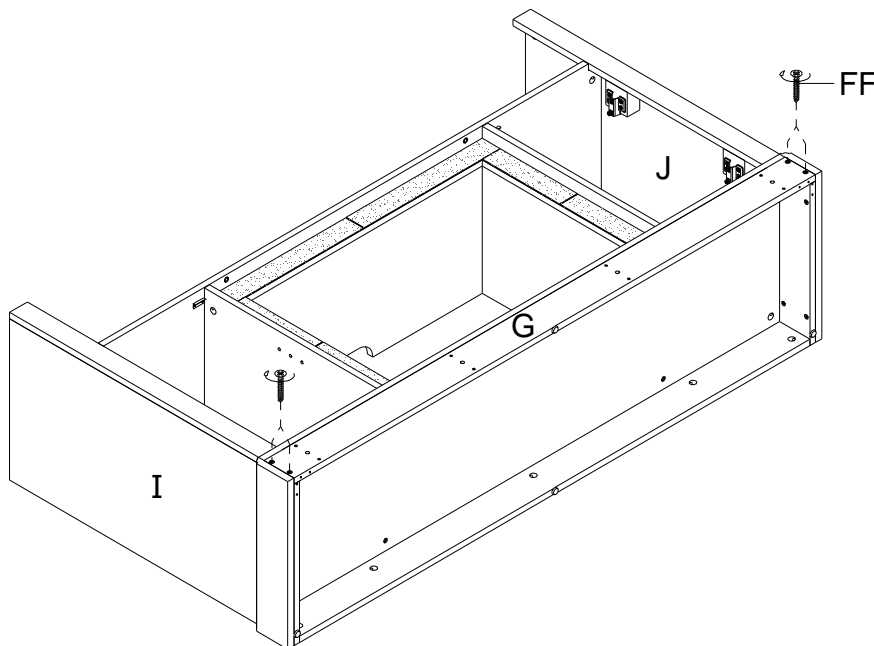
9 Installing the side panels

- Glue ten long wood dowels (CC) into the inner holes of the center shelf (B) and the bottom panel assembly at both ends.
- Align the large holes on both side panels (I and J) with the inserted wood dowels (CC) and press them together. Attach the side panels (I and J) in place by engaging ten cam locks (AA).



10 Securing the bottom front stretcher

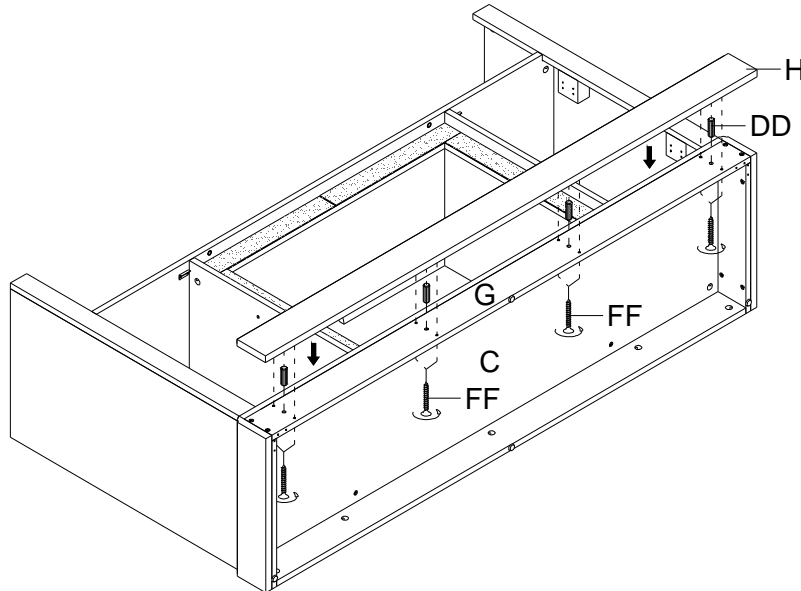
- Fasten the bottom front stretcher (G) to the side panels (I and J) with four medium wood screws (FF).



Assembly (continued)

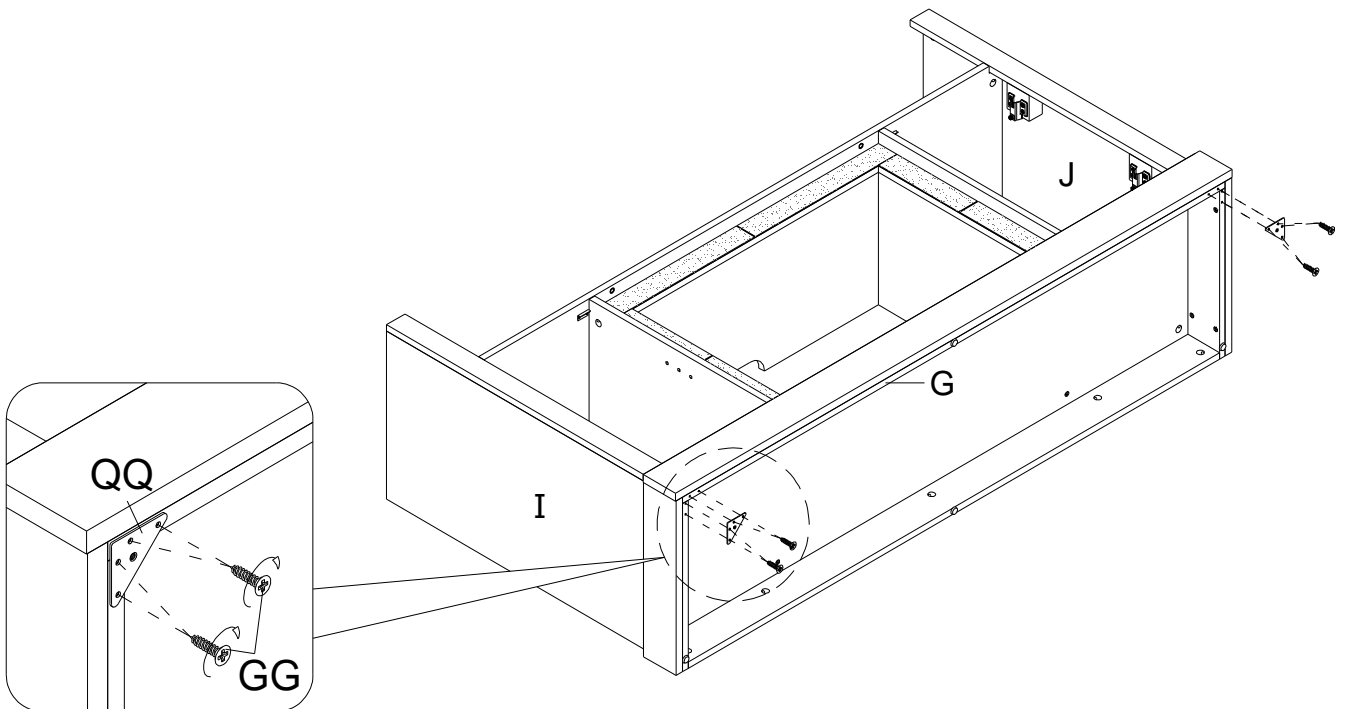
11 Attaching the bottom front molding

- Align and attach the bottom front molding (H) to the bottom front stretcher (G) with four short wood dowels (DD) and eight medium wood screws (FF).



12 Installing the triangle metal plates

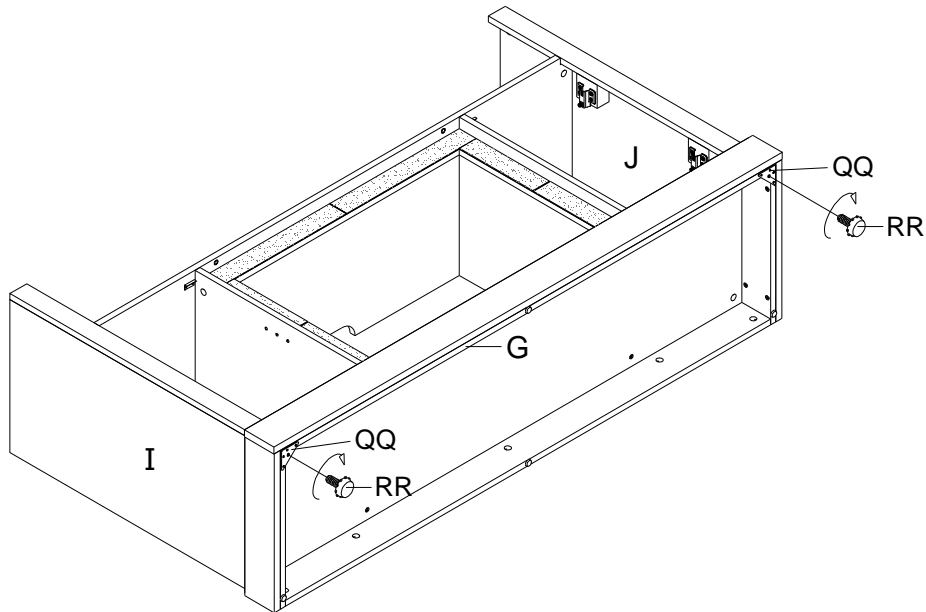
- Using the pilot holes as a guide, fasten two triangle metal plates (QQ) at the bottom joints between the bottom front stretcher (G) and side panels (I and J) using four short wood screws (GG) per plate.



Assembly (continued)

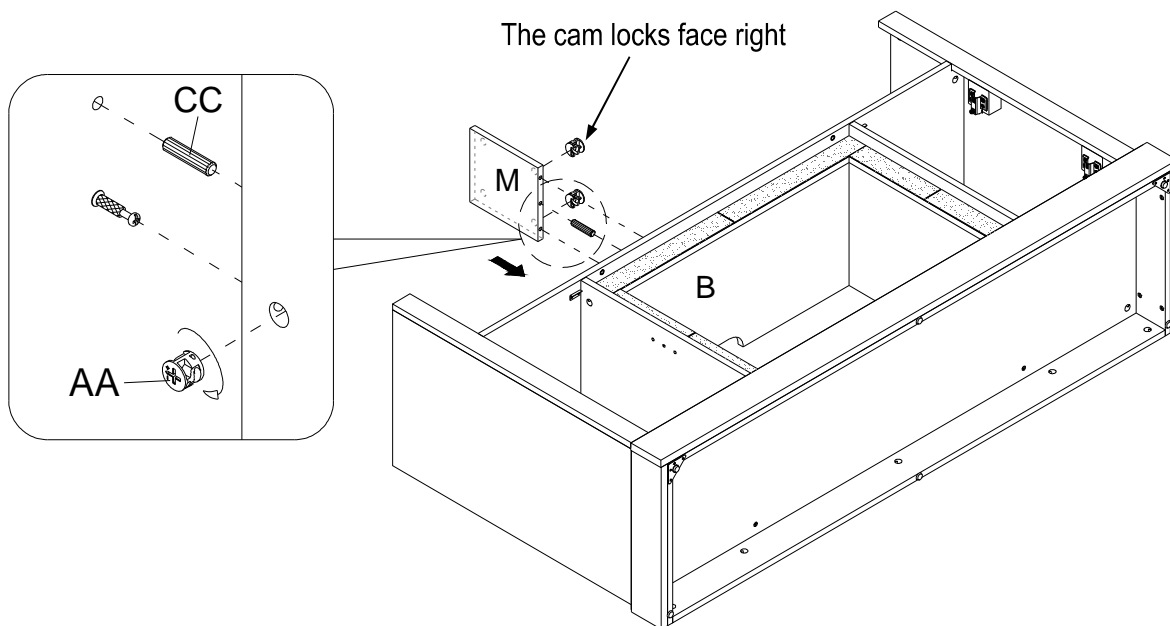
13 Screwing the floor levelers

- Screw two floor levelers (RR) into the installed triangle metal plates (QQ).



14 Attaching the upper partition panel

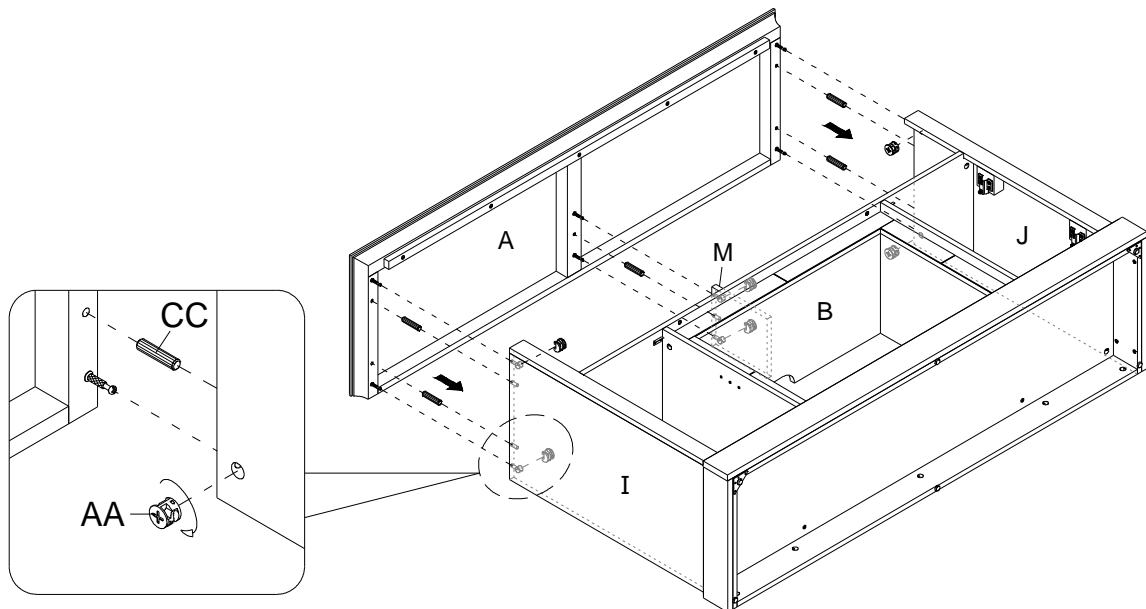
- Insert one long wood dowel (CC) into the middle hole of the upper partition panel (M) and attach it to the center shelf (B) by engaging two cam locks (AA).



Assembly (continued)

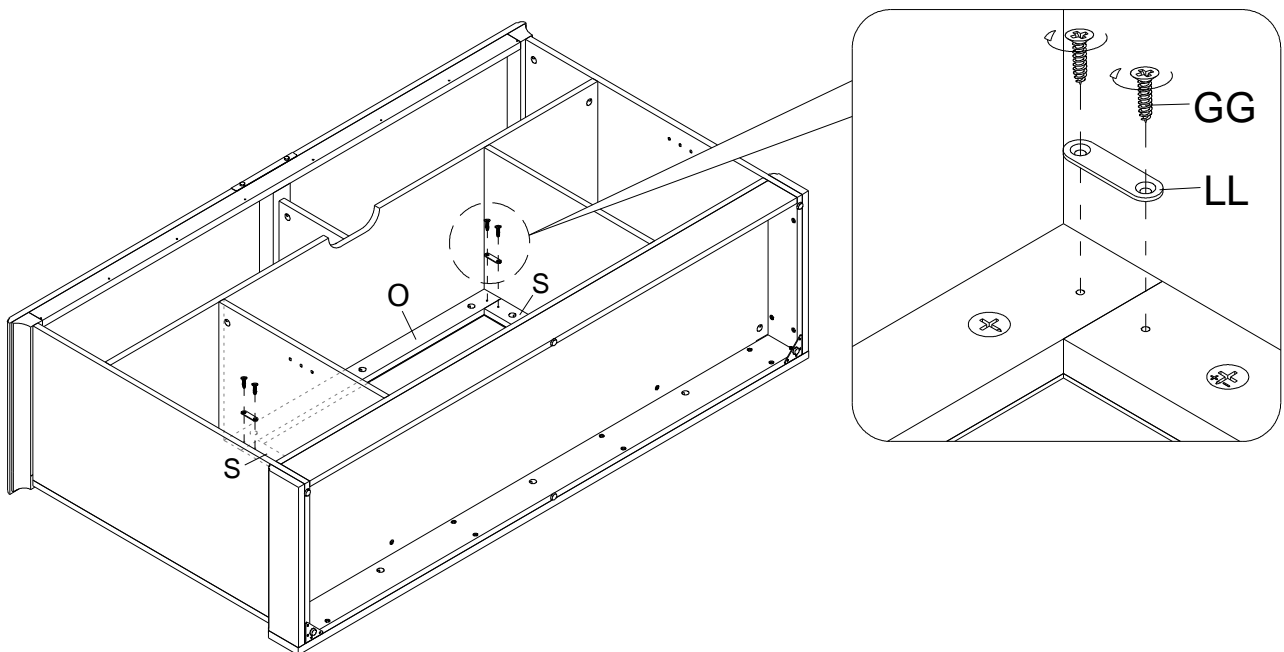
15 Attaching the top panel

- Insert five long wood dowels (CC) into the top inner holes on upper side panels (I and J) and partition panel (M). Position the top panel (A) onto the inserted wood dowels (CC) and fasten it in place with six cam locks (AA).



16 Installing the metal plate

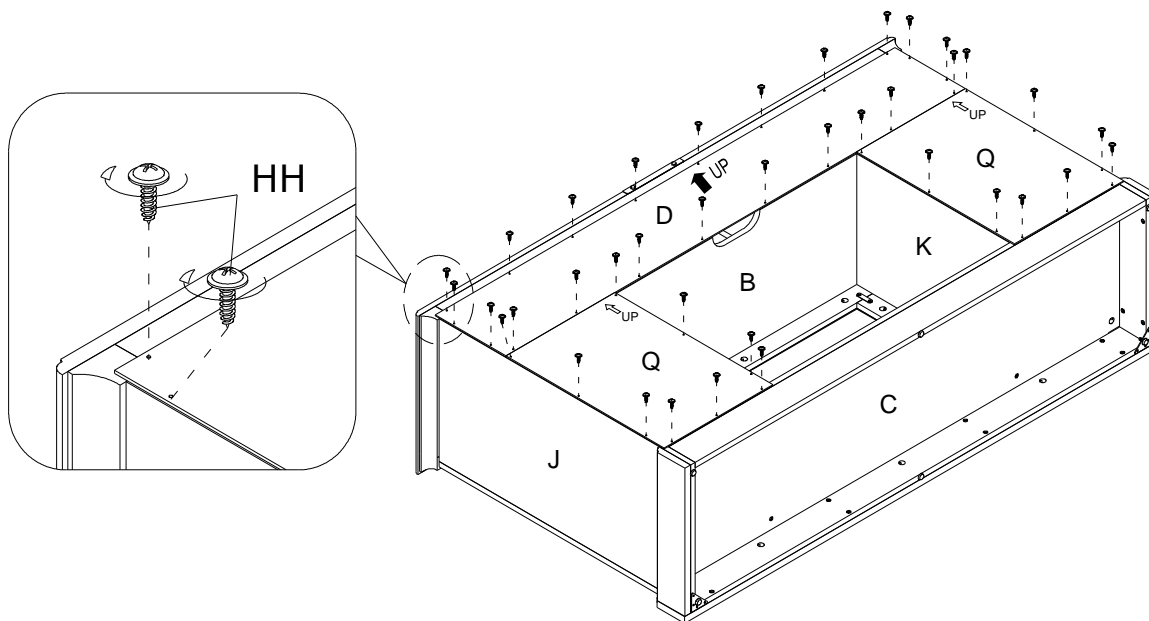
- Flip the assembled unit around at its front edges. Fasten the middle crossbar (O) to the middle stiles (S) by attaching two metal plates (LL) at the joints, using two short wood screws (GG) in each, as shown.



Assembly (continued)

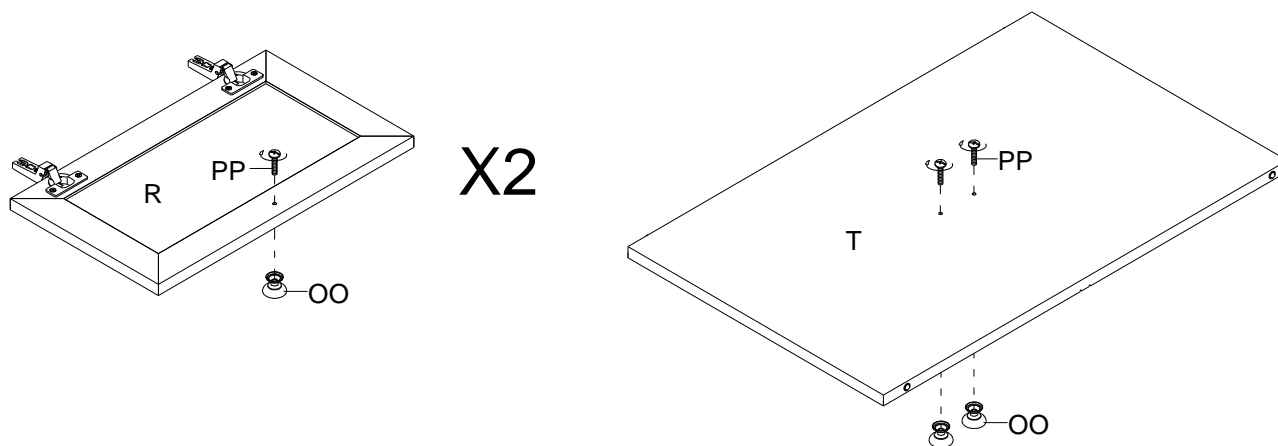
17 Attaching the back panels

- Pick up the upper back panel (D) and align the drilled holes against the upper long edge with the pilot holes on the back stretcher of the top panel (A). Attach the back panel (D) in place using the provided washer head screws (HH).
- Align and attach two lower back panels (Q) to the lower side panels and partition panels (I, J, K and L) with the provided washer head screws (HH), using the pilot holes as a guide.



18 Attaching the knobs

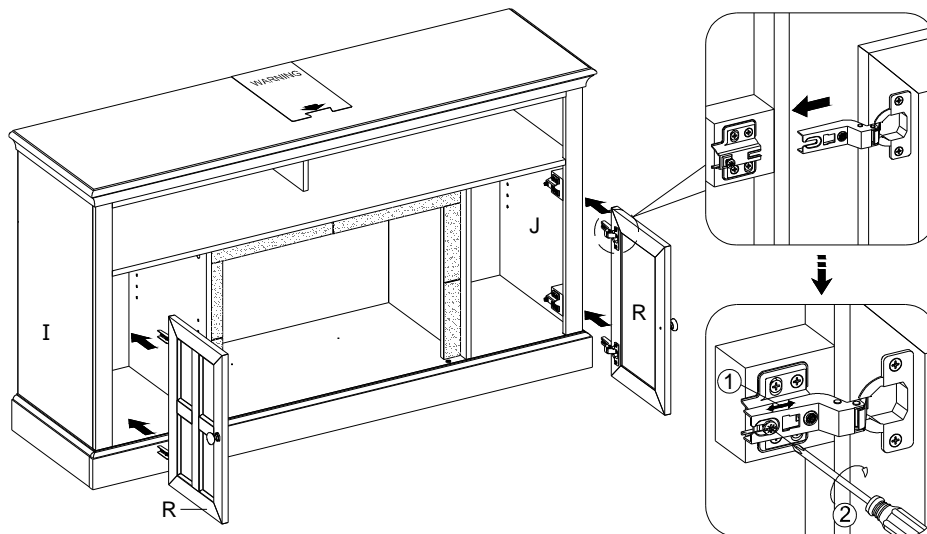
- Attach the knobs (OO) to the front side of the doors (R) and fireplace insert cover (T) with the knob bolts (PP).



Assembly (continued)

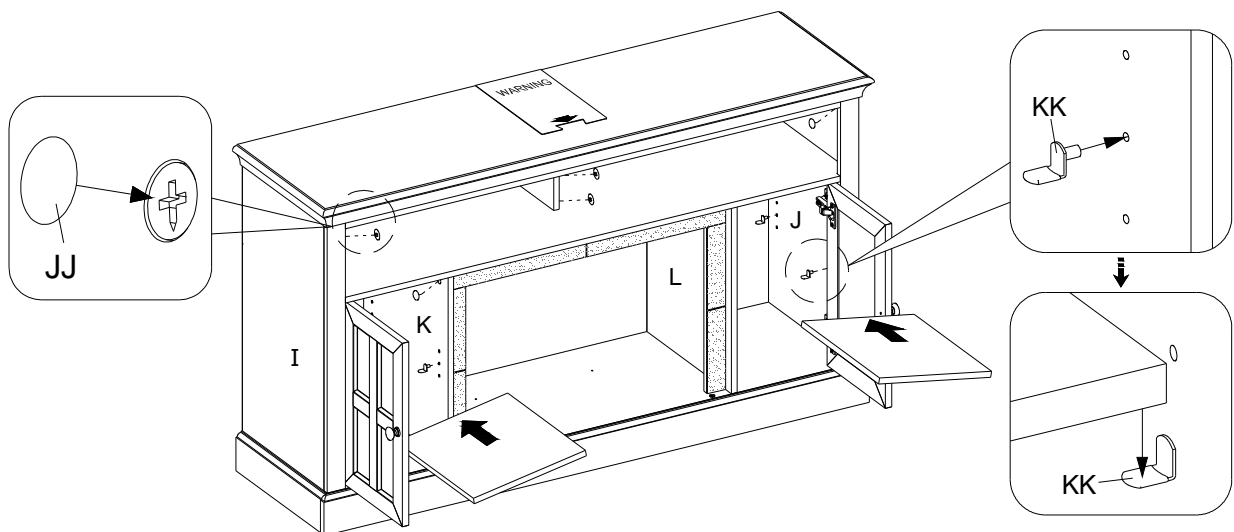
19 Installing the doors

- Stand the assembled unit upright.
- Pick up one door (R) and attach the extended hinge arms to the hinge bases installed on the left side panel (I). Loosen the bolt on the back of the hinge base for an easy fit. Align and insert the “U” slot on the hinge arm under the bolt head on the back of the hinge base. Make sure that both door hinges engage and function properly. Tighten the bolt on the hinge base to lock the hinges in place.
- Repeat the procedure to attach the other door (R) at the opposite side.
- Open and close the doors to make sure they are aligned and shut correctly. If necessary, adjust the screws for a good fit. Refer to the hinge sticker on the door for adjustment.



20 Attaching the adjustable shelves and cam lock covers

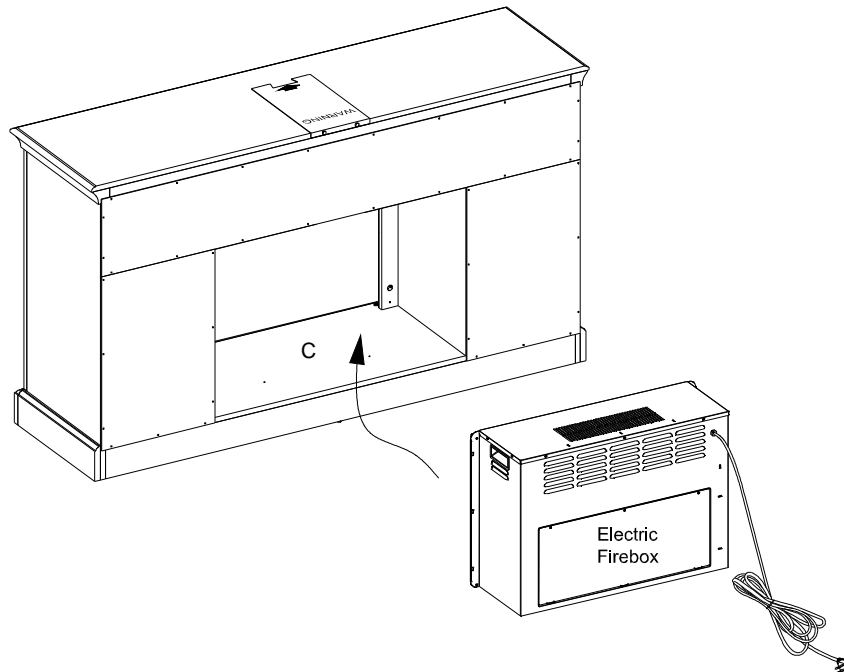
- Open the doors (R) and insert 4 shelf pins (KK) into the desired holes inside each side compartment. Make sure you place the 4 shelf pins in the same level so the shelf is not tilted. Rest the adjustable shelves (P) onto the shelf pins (KK).
- Plug the cam lock covers (JJ) onto the visible cam locks to conceal the cams.



Assembly (continued)

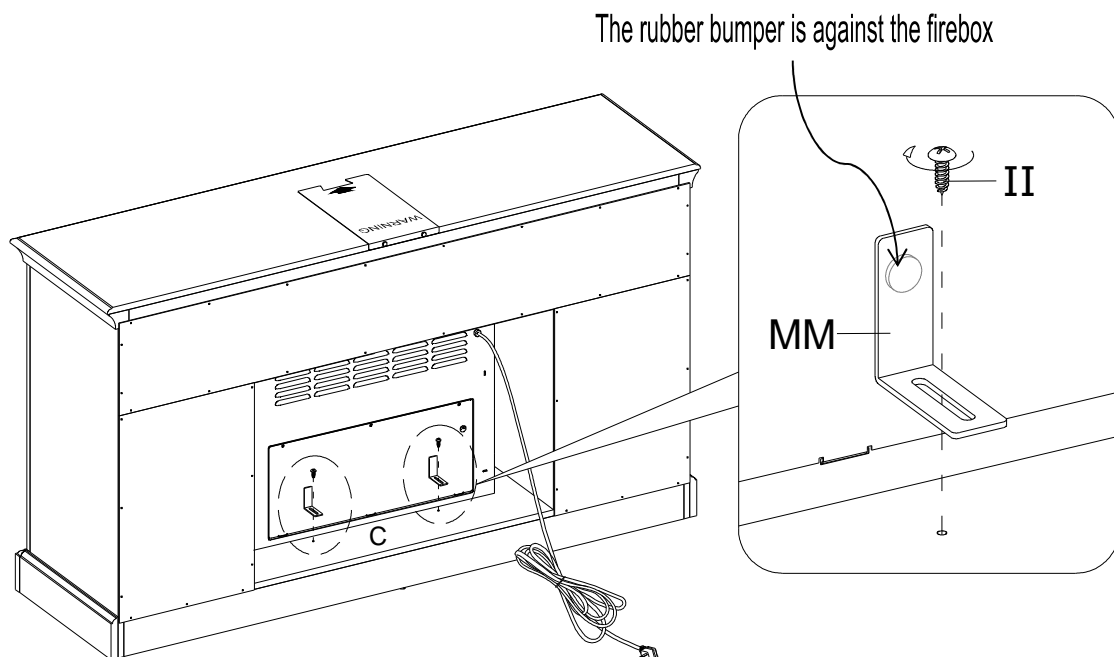
21 Installing the fireplace insert

- Lift the fireplace insert carefully into the back of the assembled mantel and center it in the opening. **DO NOT** drag the insert across the bottom panel (C) as it may scratch the unit.



22 Attaching the L-shaped metal braces

- Using the pilot holes as a guide, align and attach two L-shaped metal braces (MM) to the bottom panel (C) by screwing one pan head screw (II) in each.



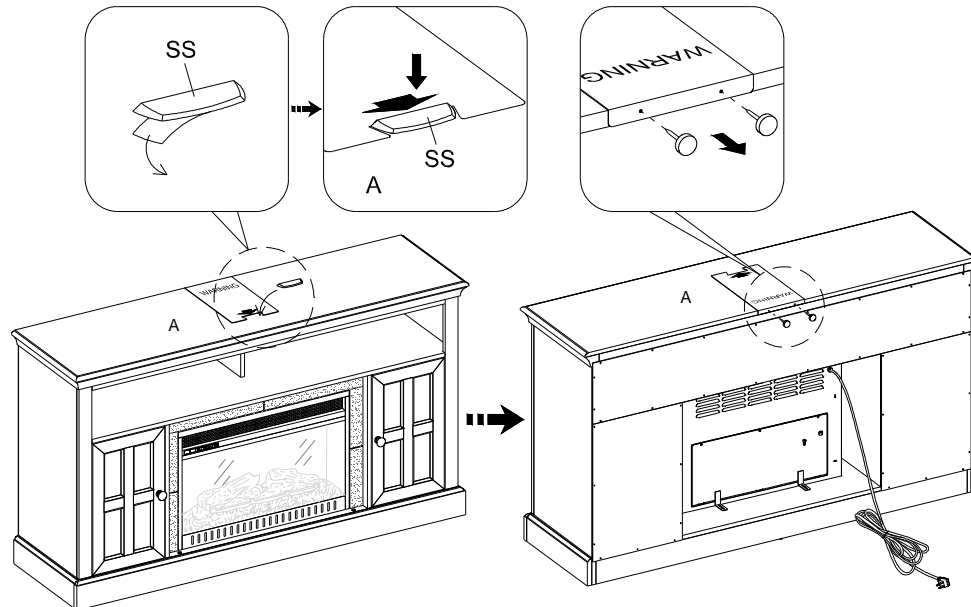
Assembly (continued)

23 Attaching the acrylic stopper

- Remove the paper backing of the acrylic stopper (SS). Then properly align the acrylic stopper into the cut-out on the acrylic stopper template on the front of the top panel (A). Press down on the acrylic stopper to help adhesion.
- At the back of the top panel (A), carefully pull out the thumb tacks to remove the acrylic stopper template.



NOTE: You must install the acrylic TV stopper to prevent TV from tipping when placing your flat panel television on the top panel.

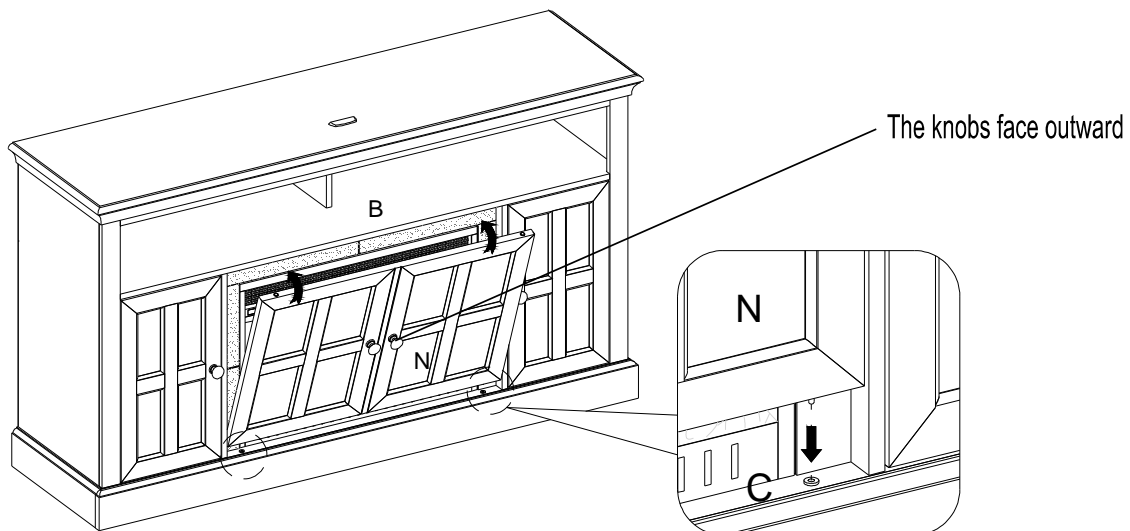


24 Installing the fireplace insert cover

- Pick up the fireplace insert cover (N) and insert the bottom pins into the pre-attached plastic bushings on the bottom panel (C). Push the top rail of the fireplace insert cover (N) until snap the top ball spring catch.



NOTE: Please ensure the fireplace insert has been properly turned off, and allow the fireplace insert to cool before placing this insert cover panel over the insert.



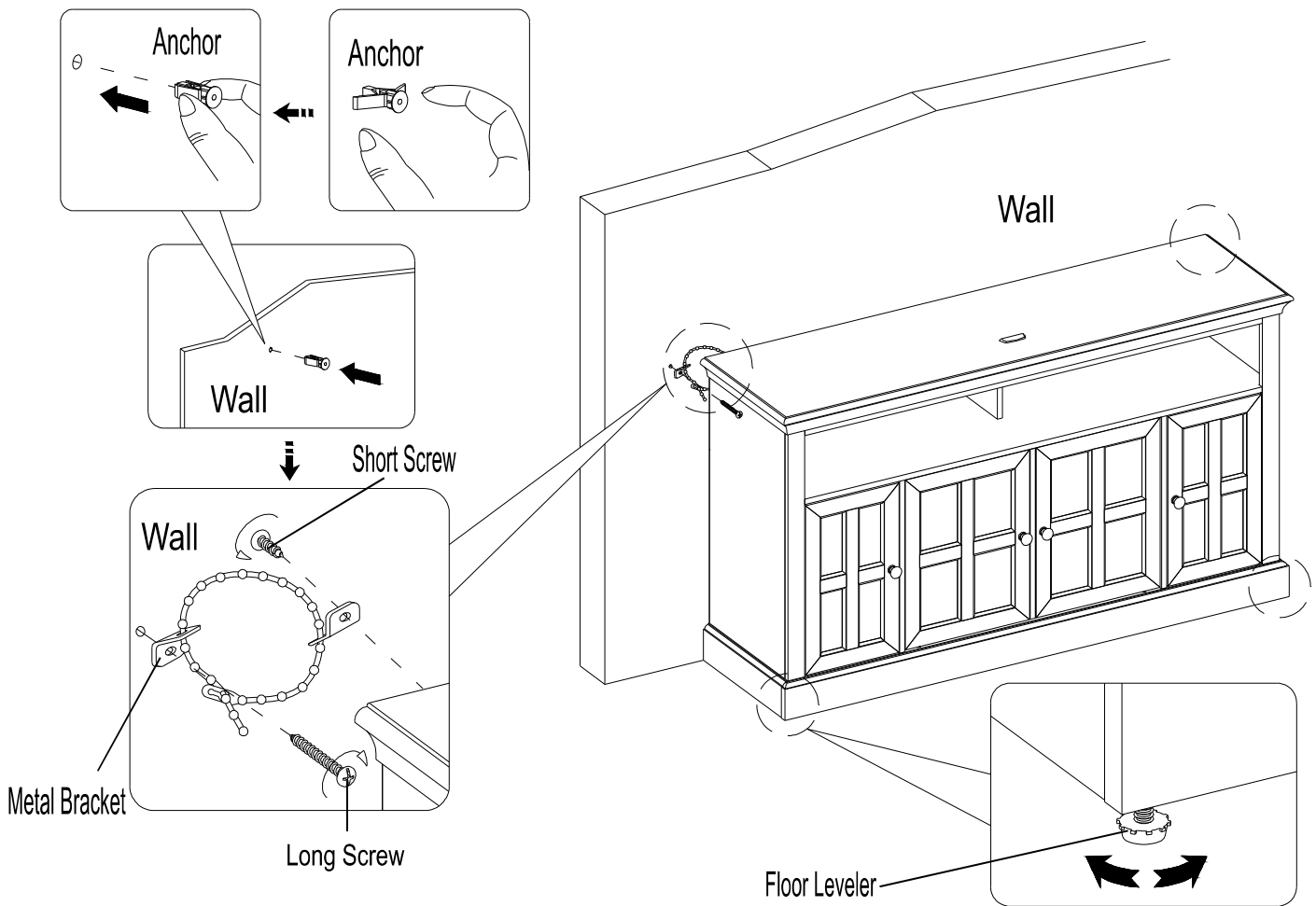
Assembly (continued)

25 Installing the tipping restraint hardware



WARNING: Young children can be seriously injured by tipping furniture. You must install the tipping restraint hardware with the unit to prevent the unit from tipping, causing any accidents or damage. The tipping restraints are intended only as a deterrent, they are not a substitute for proper adult supervision. The tipping restraints are not earthquake restraints. If you wish to add the extra security of earthquake restraints, they must be purchased and installed separately.

- With assistance, position the assembled fireplace at the desired location against a wall. In case of uneven floor, floor levelers are provided at the bottom of the mantel. If necessary, adjust the floor levelers by hand to correct tilting, until the unit is level.
- Follow the instructions printed on the plastic bag containing the tipping hardware to attach the tip-over restraint to the unit and the wall.
- Connect the fireplace to the power transformer. Follow the operating manual for the electric fireplace insert to control your fireplace.



Care and Maintenance

A Touch-up Pen has been provided to repair any small nicks or scratches that may occur during assembly or shipping.

To clean and care for your furniture:

- Use a soft, clean cloth that will not scratch the surface when dusting.
- Use of furniture polishes is not necessary. Should you choose to use polishes, test first in an inconspicuous area.
- Using solvents of any kind on your furniture may damage the finish.
- Never use water to clean your furniture as it may cause damage to the finish.
- Always use coasters under beverage glasses and flowerpots.
- Liquid spills should be removed immediately. Using a soft clean cloth, blot the spill gently. Avoid rubbing.
- Always use protective pads under hot dishes and plates. Heat can cause chemical changes that may create spotting within the furniture finish.
- Stains or marks from crayons or ink markers will be difficult to remove.
- In the event that your furniture is stained or otherwise damaged during use, we recommend that you call a professional to repair your furniture.
- Check bolts/screws periodically and tighten them if necessary.

CARING FOR WOOD FURNITURE

It is best to keep your furniture in a climate-controlled environment. Extreme temperature and humidity changes can cause fading, warping, shrinking and splitting of wood. It is advised to keep furniture away from direct sunlight as sun may damage the finish.

Proper care and cleaning at home will extend the life of your purchase. Following these important and helpful tips will enhance your furniture as it ages.

CLEANING THE FIREPLACE TRIM

Clean the metal trim using a soft cloth, slightly dampened with citrus oil based product and buff with a clean soft cloth. **DO NOT** use brass polish or household cleaners as these products will damage the metal trim. Citrus oil based products can be obtained at supermarkets or hardware stores.

HOME DECORATORS COLLECTION

**Questions, problems, missing parts? Before returning to the store,
call Home Decorators Collection Customer Service
8 a.m. - 7 p.m., EST, Monday-Friday
9 a.m. - 6 p.m., EST, Saturday**

1-800-986-3460

[HOMEDEPOT.COM/HOMEDECORATORS](https://www.homedepot.com/homedecorators)

Retain this manual for future use.