

French Door Refrigerator

FFHG2250TS

22.4 Cu. Ft. Counter-Depth



Product Dimensions

| | |
|--|----------|
| Height (Including Hinges & Rollers) | 69-3/8" |
| Width (Doors) | 36" |
| Depth (Including Door) | 28-3/16" |

More Easy-To-Use Features

Effortless™ Glide Crisper Drawers

Our humidity-controlled crisper drawers can be configured any number of ways, either side-by-side or stacked on top of each other so you can organize your refrigerator the way you want.

Store-More™ Shelves

More space to store your food with edge-to-edge shelves.

Freezer Basket with Divider

Deep freezer storage with adjustable divider keeps food organized and accessible.

Effortless™ Glide Freezer Drawers

Drawers glide out smoothly and fully extend, giving you easy access to what's inside.

ENERGY STAR®
Sabbath Mode (Star-K® Certified)



Available in:



Stainless
(S)

Signature Features

Adjustable Interior Storage

Over 100 ways to organize and customize your refrigerator.

PureSource Ultra® II Water Filtration

Discover how our genuine filtration works to keep your water cleaner. PureSource Ultra® II Water Filters remove 99.3% of lead and 99.9% of cysts from your household water.

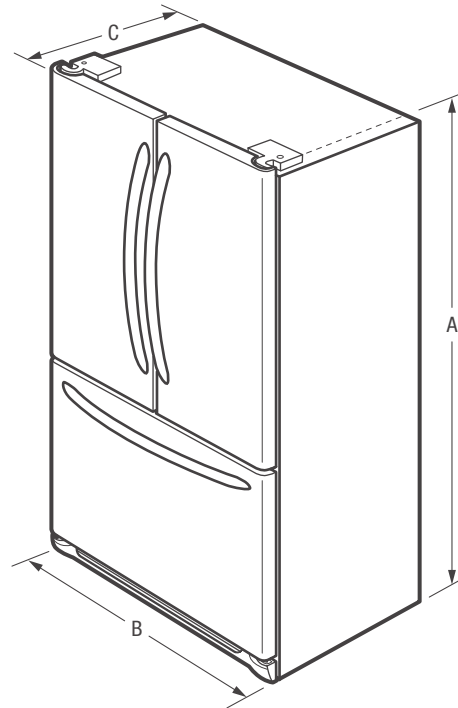
Multi Level LED Lighting

Corner-to-corner LED lighting throughout the refrigerator for better visibility.

Store-More™ Bins

Our gallon-size bins are designed to store more, so you can fit a gallon of milk.

| | |
|---|------------------------------|
| Features | |
| Door Design | Tall Curved |
| Door Handle Design | Stainless Steel |
| Cabinet Finish | Grey |
| Door Stops/Door Closers | Yes/Yes |
| Door Hinge Covers | Hidden |
| Rollers - Front/Rear | 2 Adjustable/Front |
| Energy Saver Plus Technology | Yes |
| Water Filter Location | Top-Right Fresh Food Section |
| Sound Package | |
| Control Features | |
| Controls | Ready-Select® |
| Control Panel Location | Left Door, Inside Edge |
| Number of Control Buttons | 5 |
| Ice Option/Freeze Option | Quick Ice/No |
| Display On/Off Option | Yes |
| Lock | |
| Temp/Door Ajar/Power Failure Alerts | Yes |
| Water Filter Change Indicator Light | Yes |
| Air Filter Change Indicator Light | Yes |
| Refrigerator Features | |
| Lighting | Dual-Level LED |
| Water Filter Type | PureSource Ultra® II |
| Air Filter Type | PureAir Ultra® |
| Quarter-Width Fixed Shelves | 1 Flip-Up |
| Half-Width Fixed Shelves | |
| Quarter-Width Sliding Shelves | 1 Flip-Up |
| Half-Width Sliding Shelves | 3 Edge to Edge |
| Cantilever Shelves | Yes |
| Store-More™ Full-Width Drawer | 1 Cool Zone™ |
| Hanging Wine Rack | 1 |
| Hanging Can Dispenser | |
| Crisper Drawer/Humidity Controls | 2 Clear/2 |
| Dairy Compartment | 1 Clear |
| Store-More™ Fixed Door Bins | 2 White (1 per door) |
| 2-Liter Fixed Door Bins | |
| Gallon Adjustable Door Bins | 2 Clear (1 per door) |
| 2-Liter Adjustable Door Bins | 2 Clear (1 per door) |
| Dispenser Bin | |
| Non-Slip Bin Liner/Bottle Retainers | No/Yes |
| Freezer Features | |
| Self-Closing Pull-Out Drawer | Yes |
| Sliding Full-Width Freezer Baskets | 2 Effortless™ Glide |
| Basket Dividers | 1 (Bottom Basket) |
| Lighting | LED |
| Ice Maker | Yes |
| Certifications | |
| Sabbath Mode (Star-K® Certified) | Yes |
| ENERGY STAR® | Yes |
| Specifications | |
| Total Capacity (Cu. Ft.) | 22.4 |
| Refrigerator Capacity (Cu. Ft.) | 15.6 |
| Freezer Capacity (Cu. Ft.) | 6.8 |
| Power Supply Connection Location | Right Bottom Rear |
| Water Inlet Connection Location | Left Bottom Rear |
| Voltage Rating | 115V/60Hz |
| Connected Load (kW rating) @ 115 Volts¹ | 1.02 |
| Amps @ 115 Volts | 8.5 |
| Minimum Circuit Required (Amps) | 15 |
| Shipping Weight (Approx.) | 365 Lbs. |



NOTE: For planning purposes only. Always consult local and national electric and plumbing codes. Refer to Product Installation Guide for detailed installation instructions on the web at frigidaire.com.



| Product Dimensions | |
|---|---------------|
| A - Height (Incl. Hinges & Rollers) | 69-3/8" |
| B - Cabinet Width/Door Width | 35-5/8" / 36" |
| C - Depth (Incl. Door) | 28-3/16" |
| Depth with Door Open 90° | 42-9/16" |
| Depth with Drawer Fully Extended (Incl. Handle) | 45-1/2" |

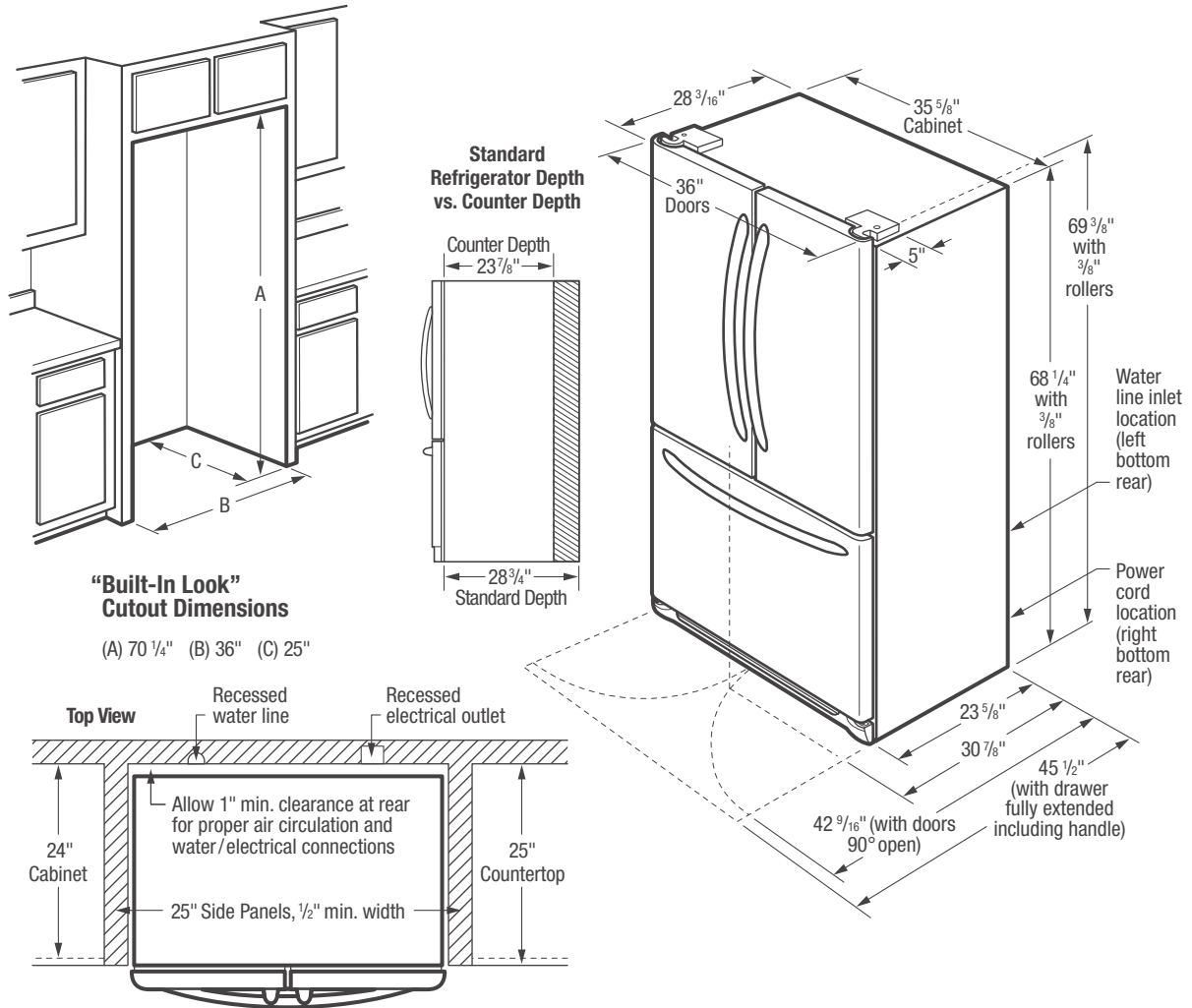
| "Built-In Look" Cutout Dimensions | |
|-----------------------------------|---------|
| Height (Incl. Hinges and Rollers) | 70-1/4" |
| Width | 36" |
| Depth | 25" |

¹For use on adequately wired 120V, dedicated circuit having 2-wire service with a separate ground wire. Appliance must be grounded for safe operation.

Accessories information available on the web at frigidaire.com

FRIGIDAIRE

USA • 10200 David Taylor Drive • Charlotte, NC 28262 • 1-800-FRIGIDAIRE • frigidaire.com
 CANADA • 5855 Terry Fox Way • Mississauga, ON L5V 3E4 • 1-800-265-8352 • frigidaire.ca



French Door Refrigerator Specifications

- Product Shipping Weight (approx.) - 365 Lbs.
- An electrical supply with grounded three-prong receptacle is required. The power supply circuit must be installed in accordance with current edition of National Electrical Code (NFPA 70) and local codes & ordinances.
- Voltage Rating - 115V/60 Hz
- Connected Load (kW Rating) @115 Volts = 1.02 kW
- Amps @ 115 Volts = 8.5 Amps
- Always consult local and national electric & plumbing codes.
- Floor should be level surface of hard material, capable of supporting fully loaded refrigerator.
- When installing refrigerator adjacent to wall, cabinet or other appliance that extends beyond front edge of unit, 20" minimum clearance recommended to allow for optimum 120° to 180° door swing, providing complete drawer/crisper access and removal. (*Absolute 4-1/2" minimum clearance will ONLY allow for 90° door swing which will provide drawer/crisper access with restricted removal.*)
- To ensure optimum performance, avoid installing in direct sunlight or close proximity to range, dishwasher or other heat source.
- For proper ventilation, front grille MUST remain unobstructed.

- Recess electrical outlet when possible.
- Water recess on rear wall recommended to prevent water line damage.
- Water Pressure - Cold water line must provide between 30 and 100 pounds per square inch (psi).
- Copper tubing with 1/4" O.D. recommended for water supply line with length equal to distance from rear of unit to household water supply line plus 7 additional feet. Optional Water Supply Installation Kits available.
- Adjustable front rollers to assist with door alignment.

“Built-In Look” Specifications

- Minimum opening of 70-1/4" H x 36" W x 25" D required to allow for ease of installation, proper air circulation, and plumbing/electrical connections.
- Remove all wall/floor molding prior to installation.

Note: For planning purposes only. Refer to Product Installation Guide on the web at frigidaire.com for detailed instructions.