

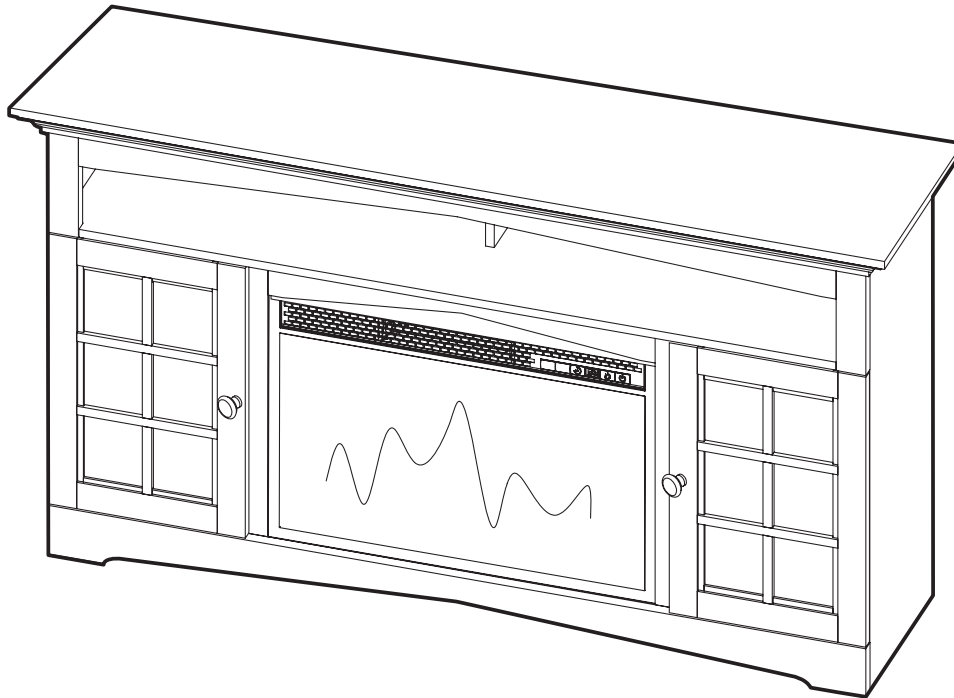
Item # 207001070
207001081
207001071

HOME DECORATORS COLLECTION

Model # 365-187-170-Y
365-187-165-Y
365-187-48-Y

USE AND CARE GUIDE

AVONDALE GROVE COLLECTION: ELECTRIC FIREPLACE MEDIA MANTEL



IMPORTANT INSTRUCTIONS

PLEASE READ THIS MANUAL BEFORE INSTALLING AND USING APPLIANCE

WARNING!

IF THE INFORMATION IN THIS MANUAL IS NOT FOLLOWED EXACTLY, AN ELECTRICAL SHOCK OR FIRE MAY RESULT
CAUSING PROPERTY DAMAGE, PERSONAL INJURY OR LOSS OF LIFE.

INSTALLER: Leave this manual with the appliance.
CONSUMER: Retain this manual for future reference.

Questions, problems, missing parts? Before returning to the store,
call Home Decorators Collection Customer Service
8 a.m. - 7 p.m., EST, Monday-Friday, 9 a.m. - 6 p.m., EST, Saturday

1-800-986-3460

HOMEDEPOT.COM/HOMEDECORATORS

THANK YOU

We appreciate the trust and confidence you have placed in Home Decorators Collection through the purchase of this Avondale Grove collection electric fireplace media mantel. We strive to continually create quality products designed to enhance your home. Visit us online to see our full line of products available for your home improvement needs. Thank you for choosing Home Decorators Collection!

Table of Contents

Table of Contents	2	Hardware Included	3
Warranty	2	Package Contents	4
Pre-Assembly	3	Assembly	5
Planning Assembly	3	Troubleshooting	13
Tools Required	3	Care and Cleaning	14
		Shelf Weight Capacity	14
		Service Parts	14

Warranty

1-YEAR WARRANTY

WHAT IS COVERED

The manufacturer warrants that your new electric fireplace is free from manufacturing and material defects for a period of one year from date of purchase, subject to the following conditions and limitations.

This electric fireplace must be installed and operated at all times in accordance with the instructions furnished with the product. Any alteration, willful abuse, accident, or misuse of the product shall nullify this warranty. This warranty is non-transferrable, and is made to the original owner, provided that the purchase was made through an authorized supplier of the manufacturer. This warranty is limited to the repair or replacement of part(s) found to be defective in material or workmanship, provided that such part(s) have been subjected to normal conditions of use and service, after said defect is confirmed by the manufacturer's inspection. The manufacturer may, at its discretion, fully discharge all obligations with respect to this warranty by refunding the wholesale price of the defective part(s).

WHAT IS NOT COVERED

Any installation, labor, construction, transportation, or other related costs/expenses arising from defective part(s), repair, replacement, or otherwise of same, will not be covered by this warranty, nor shall the manufacturer assume responsibility for same. Further, the manufacturer will not be responsible for any incidental, indirect, or consequential damages, except as provided by law.

All other warranties - expressed or implied - with respect to the product, its components and accessories, or any obligations/liabilities on the part of the manufacturer are hereby expressly excluded. The manufacturer neither assumes, nor authorizes any third party to assume, on its behalf, any other liabilities with respect to the sale of this product. The warranties as outlined within this document do not apply to nonmanufacturer accessories used in conjunction with the installation of this product.

This warranty does not cover the lightbulb(s) included with the fireplace.

This warranty is void if: the fireplace has been operated in atmospheres contaminated by chlorine, fluorine, or other damaging chemicals; the fireplace is subjected to prolonged periods of dampness or condensation; the fireplace is altered, willfully abused, damaged by accident, or misused in any way.

If warranty service is needed, contact the Customer Service Team at 1-800-986-3460 from 8 a.m. - 7 p.m., EST, Monday-Friday, 9 a.m. - 6 p.m., EST, Saturday or visit www.homedepot.com/homedecorators.

Make sure you have your warranty, your sales receipt, and the model/serial number of your product.

DO NOT ATTEMPT TO DO ANY SERVICE WORK YOURSELF.

Pre-Assembly

PLANNING ASSEMBLY

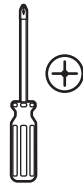
Before you begin assembly, locate the instructions and hardware. Compare all parts with the Hardware Included and Package Contents lists. Be sure you have all the parts and can identify them. A helping hand is always good. Assemble your mantel with an adult assistant if possible. Some pieces are heavy and will need to be held by a helper. Assembly time will take approximately 30-60 minutes.

Before assembly, use scissors to unwrap the parts from the packaging. Do not use a box cutter or exacto-knife, as you may cut into the mantel pieces inside the box and damage the finish. Check for the red hardware bag located inside the packaging. Do not discard any pieces. Use an appropriate screwdriver to insert and tighten all screws.

TOOLS REQUIRED



Safety goggles

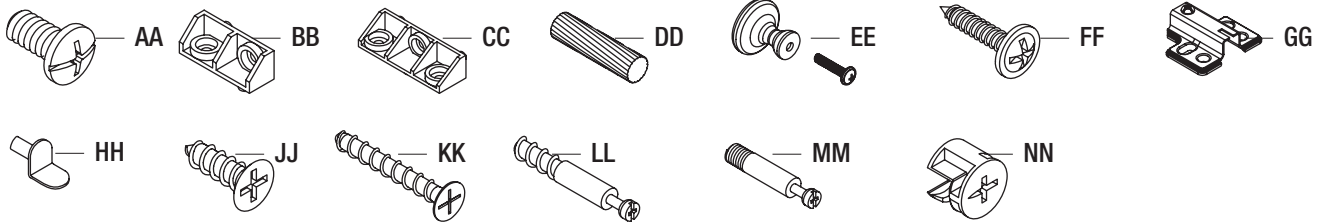


Phillips screwdriver

HARDWARE INCLUDED



NOTE: Hardware not shown to actual size.

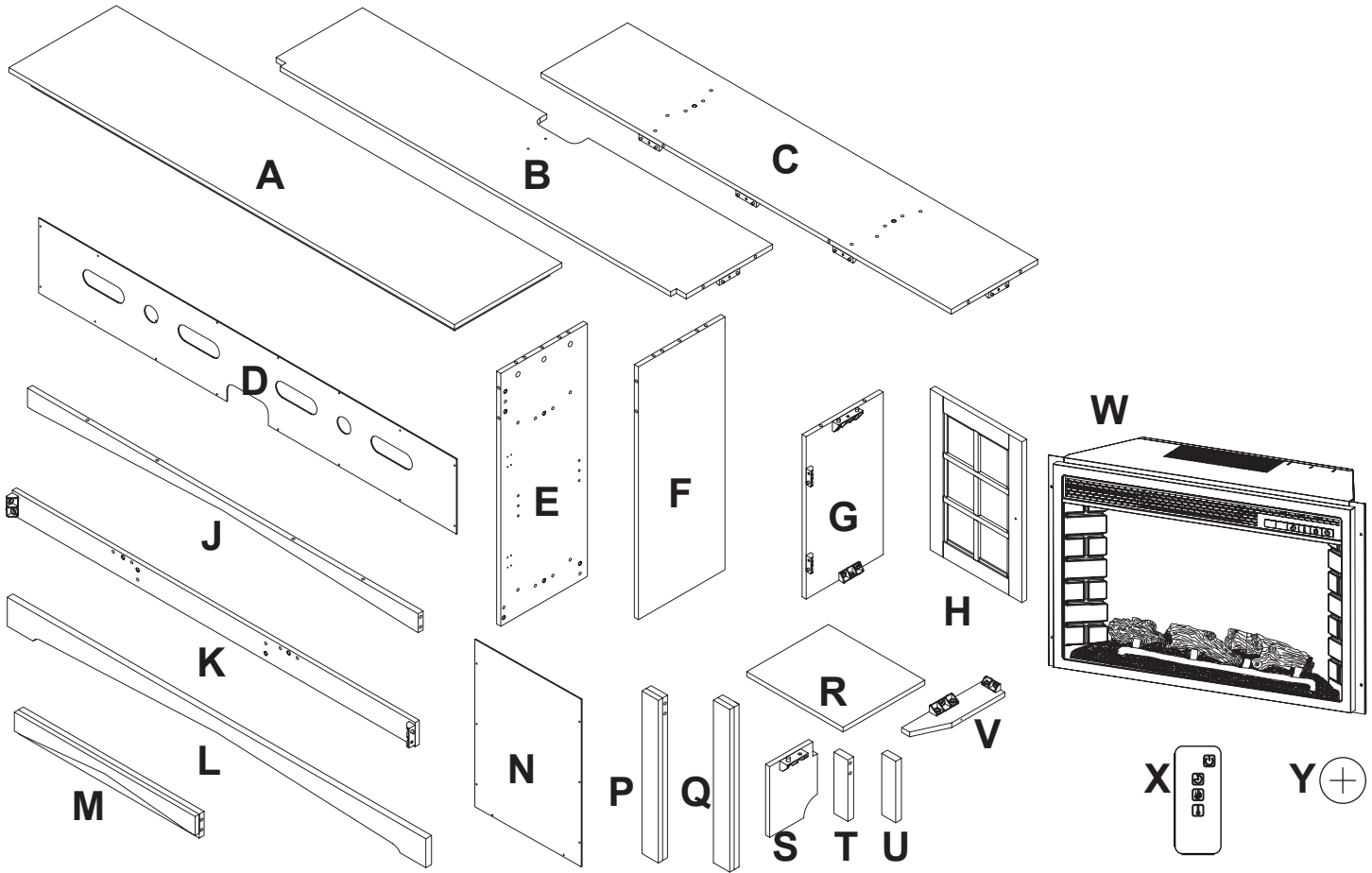


Part	Description	Quantity
AA	Bolt	37
BB	Short Connector	2
CC	Long Connector	2
DD	Dowel	36
EE	Knob	2
FF	Back Panel Screw	36
GG	Door Hinge Plate	4

Part	Description	Quantity
HH	Shelf Pin	8
JJ	Hinge Screw	16
KK	Screw	2
LL	Long Cam Lock Dowel	4
MM	Short Cam Lock Dowel	4
NN	Metal Cam Lock	8

Pre-Assembly (continued)

PACKAGE CONTENTS

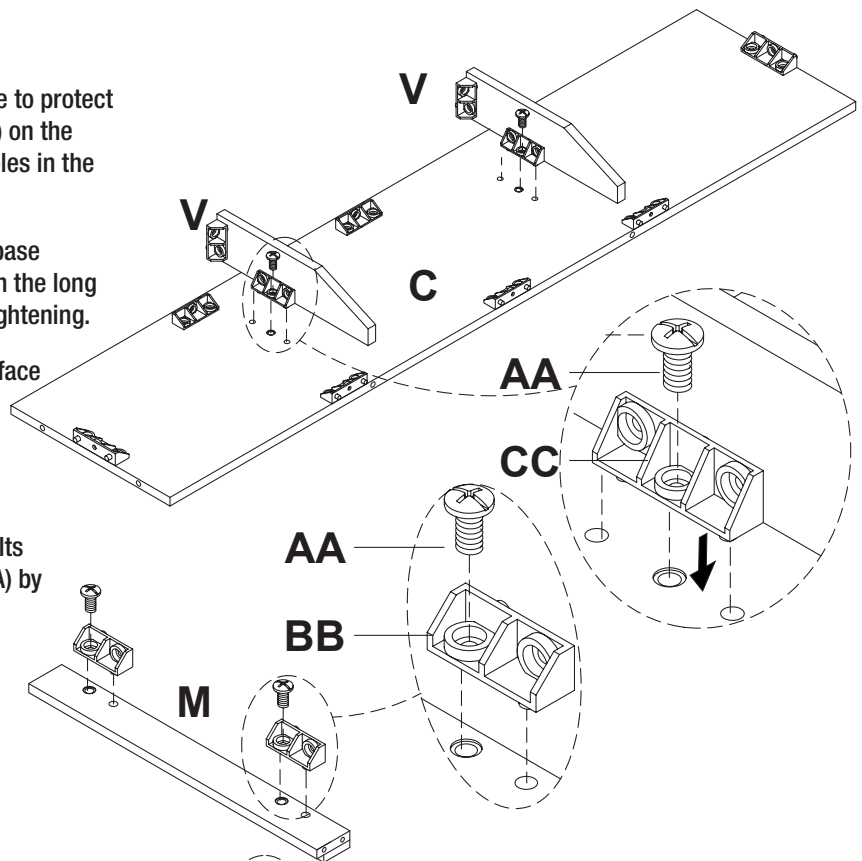


Part	Description	Quantity
A	Top Panel	1
B	Media Shelf	1
C	Base Panel	1
D	Upper Back Panel	1
E	Left Side Panel	1
F	Right Side Panel	1
G	Inside Panel	2
H	Cabinet Door	2
J	Top Rail	1
K	Rear Apron Panel	1
L	Front Apron Panel	1
M	Top Trim	1

Part	Description	Quantity
N	Side Back Panel	2
P	Left Trim	1
Q	Right Trim	1
R	Adjustable Shelf	2
S	Support Panel	1
T	Left Front Panel	1
U	Right Front Panel	1
V	Support Leg	2
W	Firebox	1
X	Firebox Remote Control	1
Y	Button Cell Battery	1

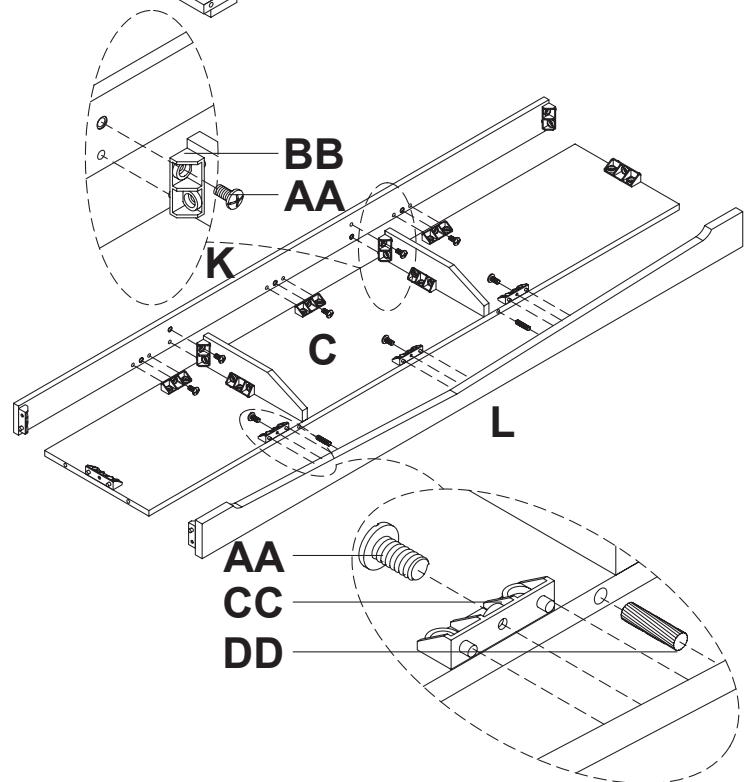
1 Attaching the support legs

- Locate the base panel (C) and place on a soft surface to protect the finish. Line up and insert the long connector (CC) on the left and right support legs (V) into the unthreaded holes in the center of the base panel (C).
- Attach the left and right support legs (V & W) to the base panel (C) by turning two bolts (AA) clockwise through the long connectors (CC). Do not strip the bolts (AA) by overtightening.
- Locate the top trim (M) and place them on a soft surface to protect the finish.
- Insert two short connectors (BB) into the top trim (M) where indicated. Press down firmly until flush.
- Attach the short connectors (BB) by inserting two bolts (AA) and turning clockwise. Do not strip the bolts (AA) by overtightening.



2 Attaching the front and back panels to the base

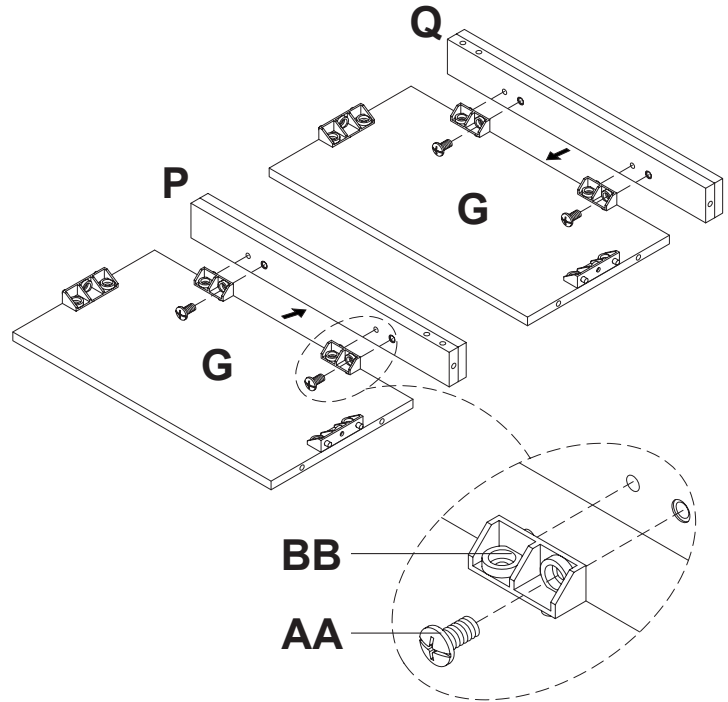
- Line up and insert two wood dowels (DD) into the unthreaded holes in the side of the base panel (C). Line up the wood dowels (DD) with the unthreaded holes in the front apron panel (L). Press together until flush.
- Line up the short and long connectors (BB & CC) in the base assembly (C) with the unthreaded holes in the rear apron panel (K). Press together until flush.
- Insert eight bolts (AA) into the short and long connectors (BB & CC) on the base assembly.
- Attach the front and rear apron panels (L & K) by turning the bolts (AA) clockwise. Do not strip the bolts (AA) by overtightening.



Assembly (continued)

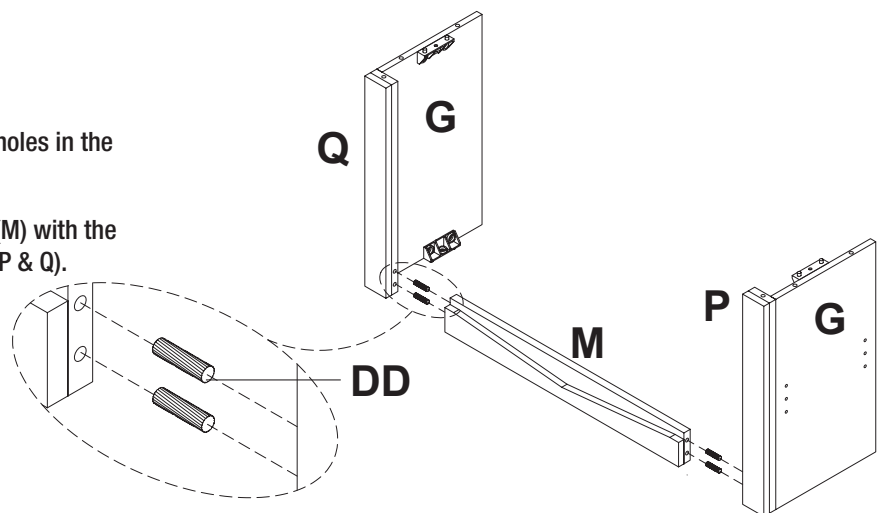
3 Attaching the left and right trim pieces

- Line up the short connectors (BB) in the inner panels (G) with the unthreaded holes in the left and right trim pieces (P & Q). Press together until flush.
- Insert four bolts (AA) into the short connectors (BB) on the inner panels where indicated.
- Attach the left and right trim pieces (P & Q) by turning the bolts (AA) clockwise. Do not strip the bolts (AA) by overtightening.



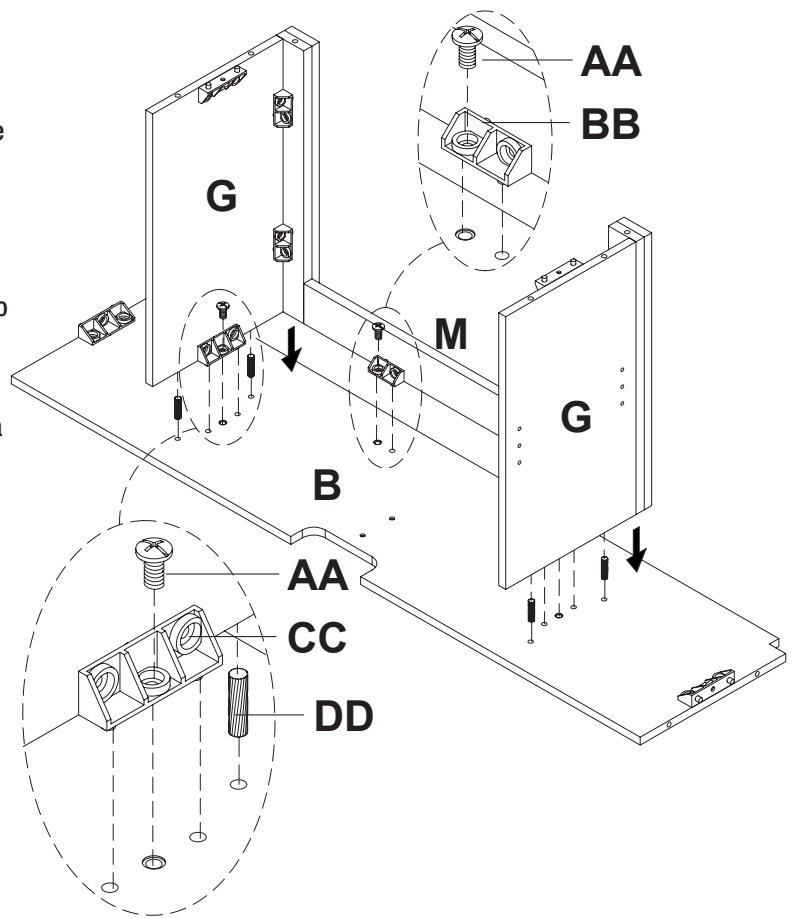
4 Attaching the inner panels

- Insert four wood dowels (DD) into the unthreaded holes in the top trim (M).
- Line up the four wood dowels (DD) in the top trim (M) with the unthreaded holes in the left and right trim pieces (P & Q).
- Press together firmly until flush.



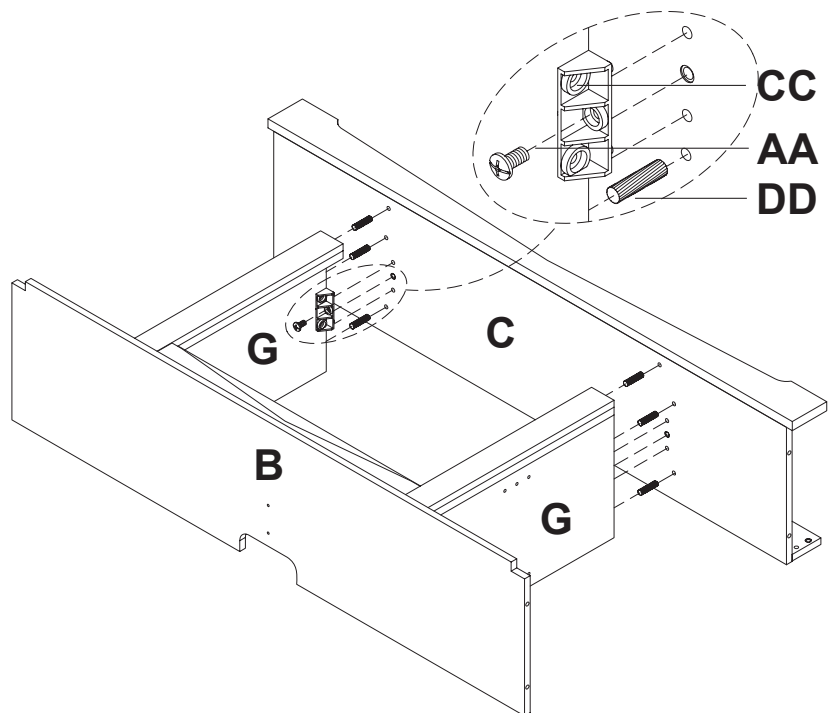
5 Attaching the media shelf

- Insert four wood dowels (DD) in the unthreaded holes of the media shelf (B).
- Line up the wood dowels (DD) in the media shelf (B) with the unthreaded holes in the left and right inner panels (G).
- Line up the short and long connectors (BB & CC) attached to the inner panel assembly with the holes in the media shelf (B).
- Press the inner panel assembly down firmly onto the media shelf until flush.
- Insert four bolts (AA) into the short and long connectors (BB & CC) on the inner panel assembly.
- Attach the inner panel assembly to the media shelf (B) by turning the bolts (AA) clockwise. Do not strip the bolts (AA) by overtightening.



6 Attaching the base

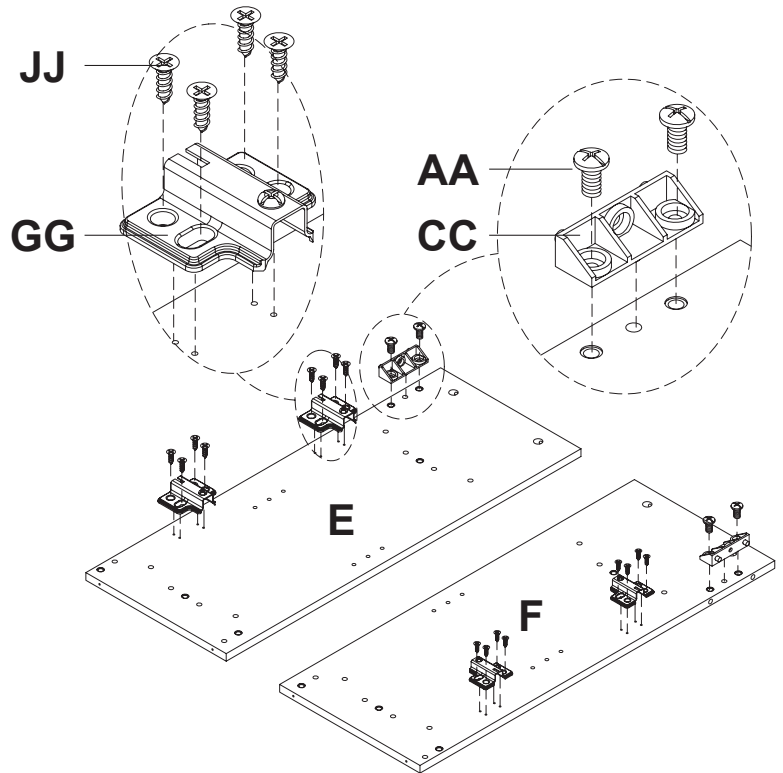
- Insert six wood dowels (DD) into the unthreaded holes in the media shelf assembly.
- Line up the wood dowels (DD) with the unthreaded holes in the base panel (C). Press together firmly until flush.
- Attach the base panel (C) to the media shelf assembly by inserting two bolts (AA) through the long connectors (CC) on the inner panels (G) and turning clockwise. Do not strip the bolts (AA) by overtightening.



Assembly (continued)

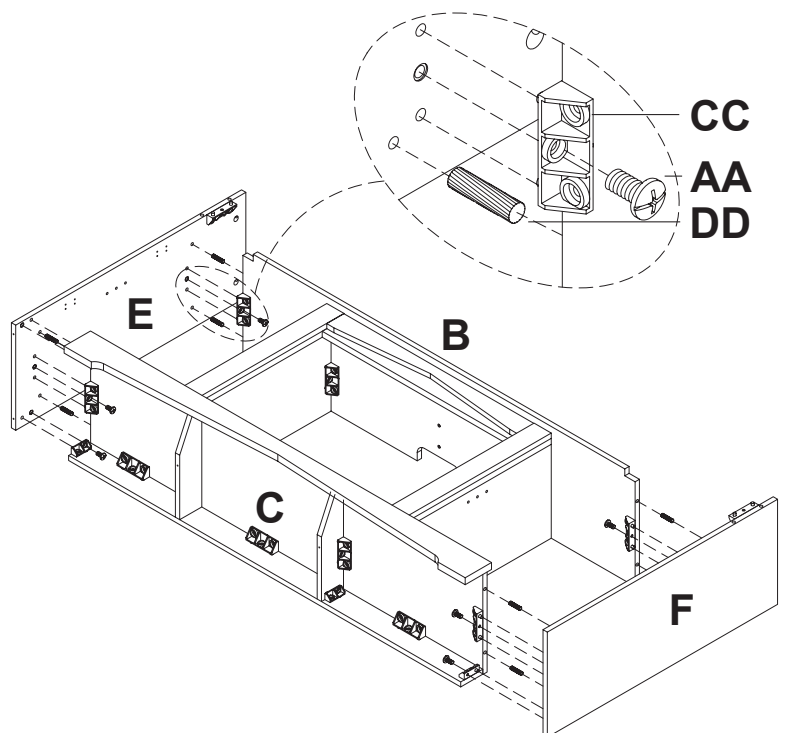
7 Attaching hardware onto the side panels

- Locate the left and right side panels (E & F) and place them on a soft surface to protect the finish.
- Insert long connectors (CC) into the left and right side panels (E & F) where indicated. Press down firmly until flush.
- Attach the long connectors (CC) by inserting and turning four bolts (AA) clockwise. Do not strip the bolts (AA) by overtightening.
- Attach the four door hinge plates (GG) to the left and right side panels (E & F) by inserting and tightening sixteen hinge screws (JJ). Do not overtighten and strip the hinge screws (JJ).



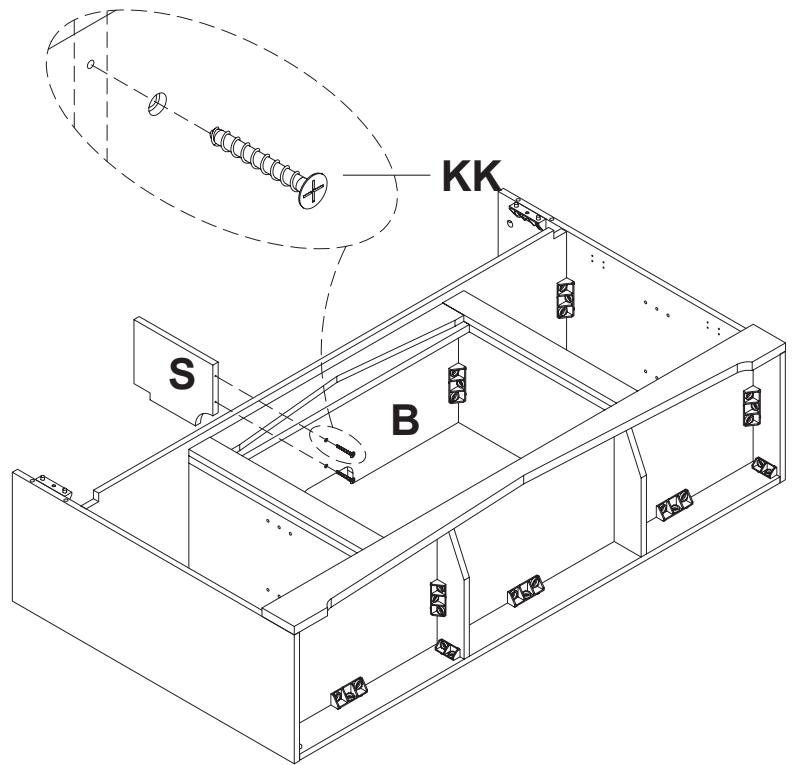
8 Attaching the side panels

- Insert eight wood dowels (DD) into the unthreaded holes in the sides of the media shelf (B) and the base panel (C).
- Line up the wood dowels (DD) in the sides of the media shelf (B) and the base panel (C) with the unthreaded holes in the left and right side panels (E & F).
- Line up the long connectors (CC) in the media shelf (B) and the base panel (C) with the holes in the left and right side panels (E & F).
- Press the left and right side panels (E & F) firmly until flush with the media console assembly.
- Attach the left and right side panels to the media console assembly by inserting eight bolts (AA) through the long connectors (CC) in the media shelf (B) and the base panel (C) and turning clockwise. Do not strip the bolts (AA) by overtightening.



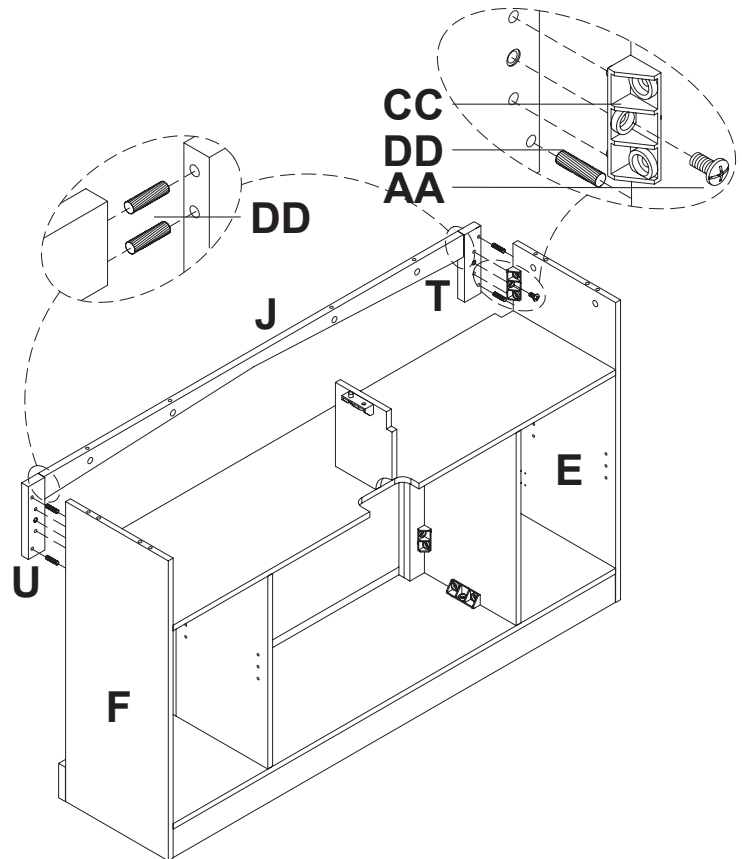
9 Attaching the support panel

- Attach the support panel (S) to the media shelf (B) by lining up the holes in the bottom of the support panel (S) with the holes in the media shelf (B). Insert and tighten two screws (KK) through the media shelf (B) into the support panel (S).
- Do not strip the screws (KK) by overtightening.



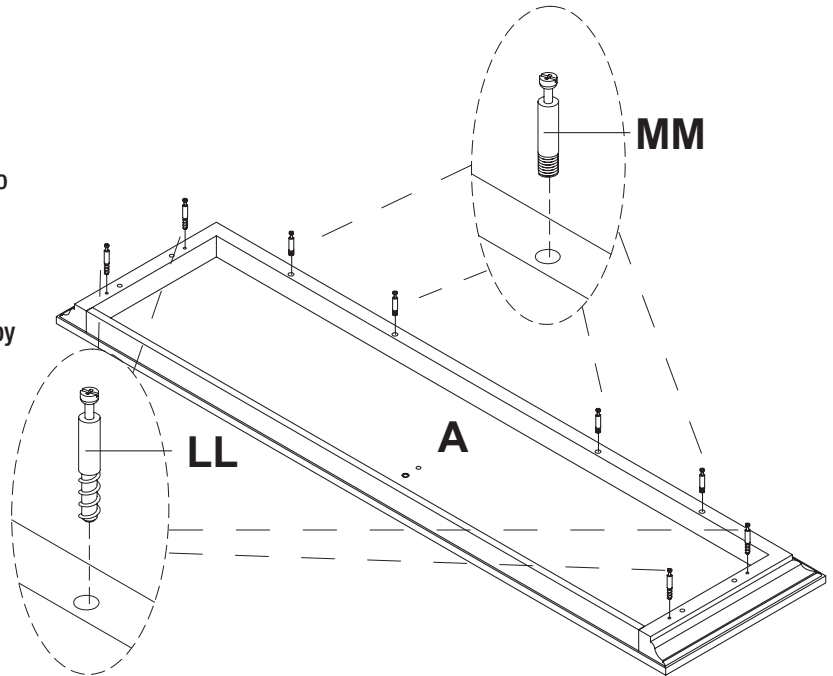
10 Attaching the top rail

- Insert four wood dowels (DD) into the unthreaded holes in the sides of the top rail (J).
- Line up the wood dowels (DD) in the top rail (J) with the unthreaded holes in the sides of the left and right front panels (T & U). Press together firmly until flush.
- Insert 4 wood dowels (DD) into the unthreaded holes on the back of the left and right front panels (T & U).
- Line up the wood dowels (DD) in the left and right front panels (T & U) with the unthreaded holes in the left and right side panels (E & F).
- Line up the long connectors (CC) in the left and right side panels (E & F) with the holes in the left and right front panels (T & U). Press together firmly until flush.
- Attach the top rail assembly to the left and right side panels (E & F) by inserting two bolts (AA) through the long connectors (CC) in the left and right side panels (E & F) and turning clockwise. Do not strip the bolts (AA) by overtightening.



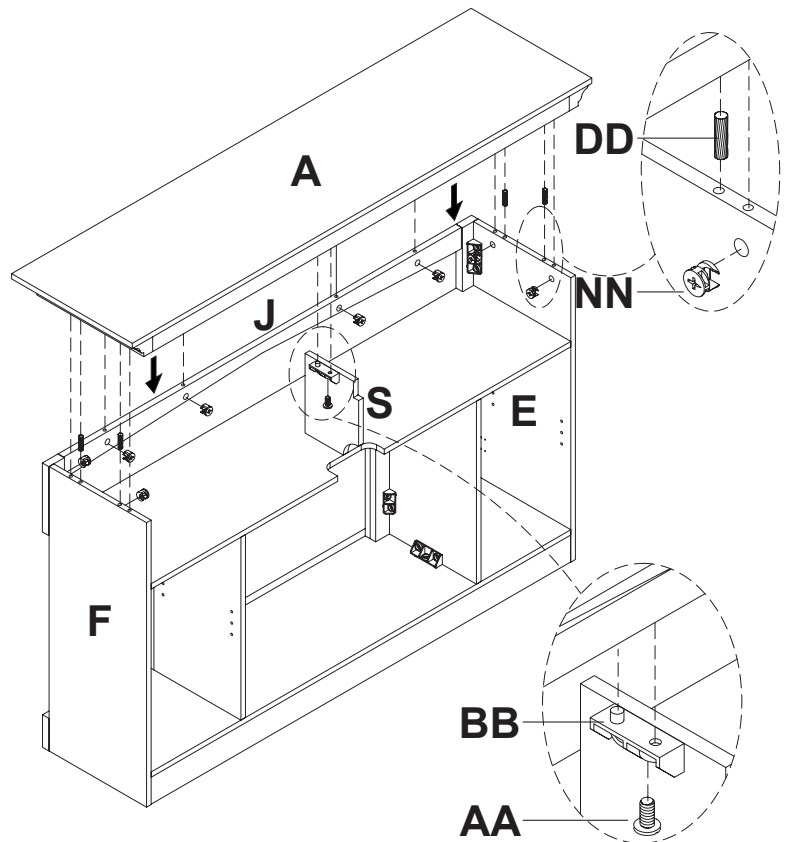
11 Preparing the top panel

- Locate the top panel (A) and place it on a soft surface to protect the finish with the finished side facing down.
- Insert four long cam lock dowels (LL) into the threaded holes in the sides of the top panel (A) by turning clockwise. Do not strip the long cam lock dowels (LL) by overtightening.
- Insert four short cam lock dowels (MM) into the threaded holes in the front of the top panel (A) by turning clockwise. Do not strip the short cam lock dowels (MM) by overtightening.



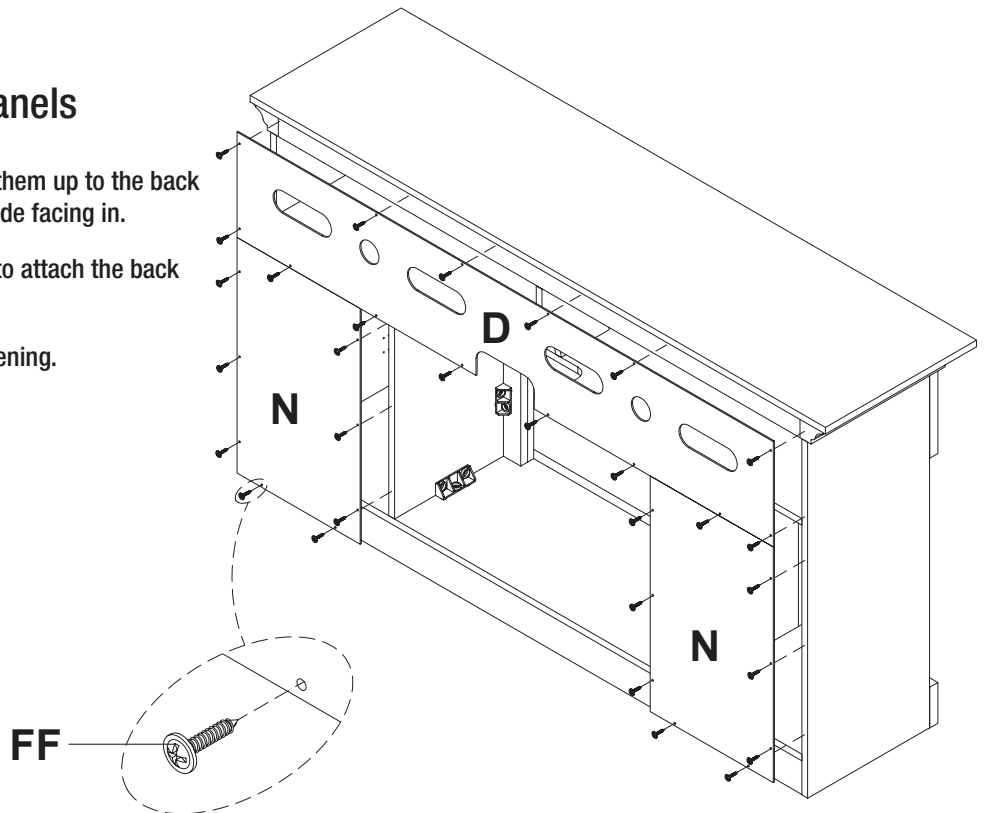
12 Attaching the top panel

- Insert four wood dowels (DD) into the unthreaded holes in the top of the left and right side panels (E & F). Line up the wood dowels (DD) in the side panels (E & F) with the unthreaded holes in the top panel (A).
- Line up the long and short cam lock dowels (LL & MM) with the cam lock holes in the media console assembly. Push down on the top panel (A) until flush.
- Insert eight metal cam locks (NN) into the cam lock holes in the left and right side panels (E & F) and the top rail (J).
- Attach the top panel (A) to the media console assembly by turning the metal cam locks (NN) clockwise. Do not break the metal cam locks by overtightening.
- Insert one bolt (AA) through the short connector (BB) on the support piece (S) and tighten by turning clockwise. Do not strip the bolt (AA) by overtightening.



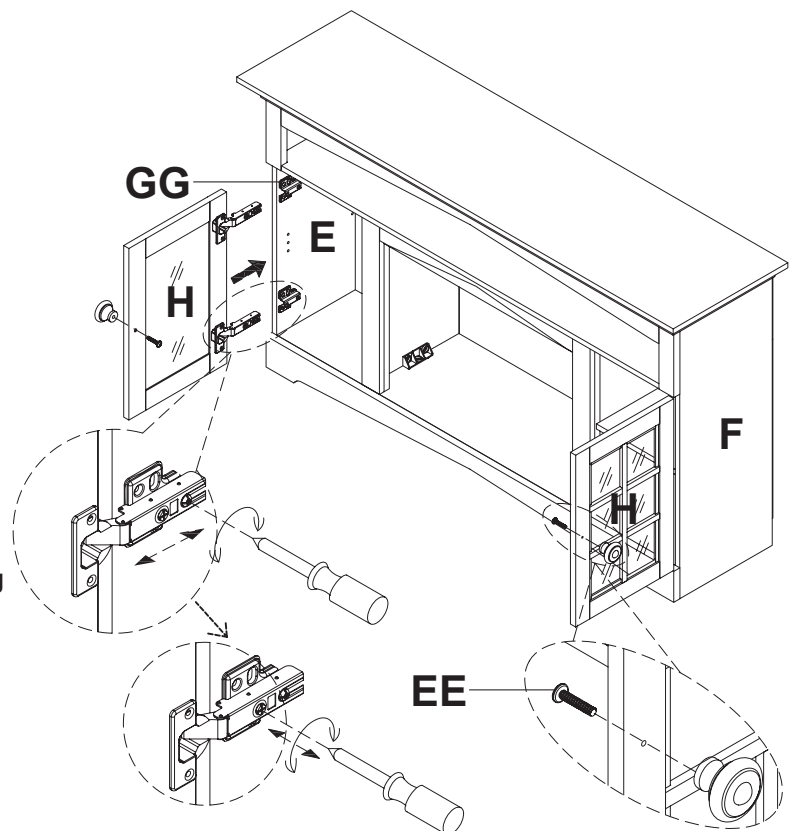
13 Attaching the back panels

- Locate the back panels (D & N) and line them up to the back of the media console with the finished side facing in.
- Insert and tighten thirty-six screws (FF) to attach the back panels (D & N) to the media console.
- Do not strip the screws (FF) by overtightening.



14 Attaching the doors and knobs

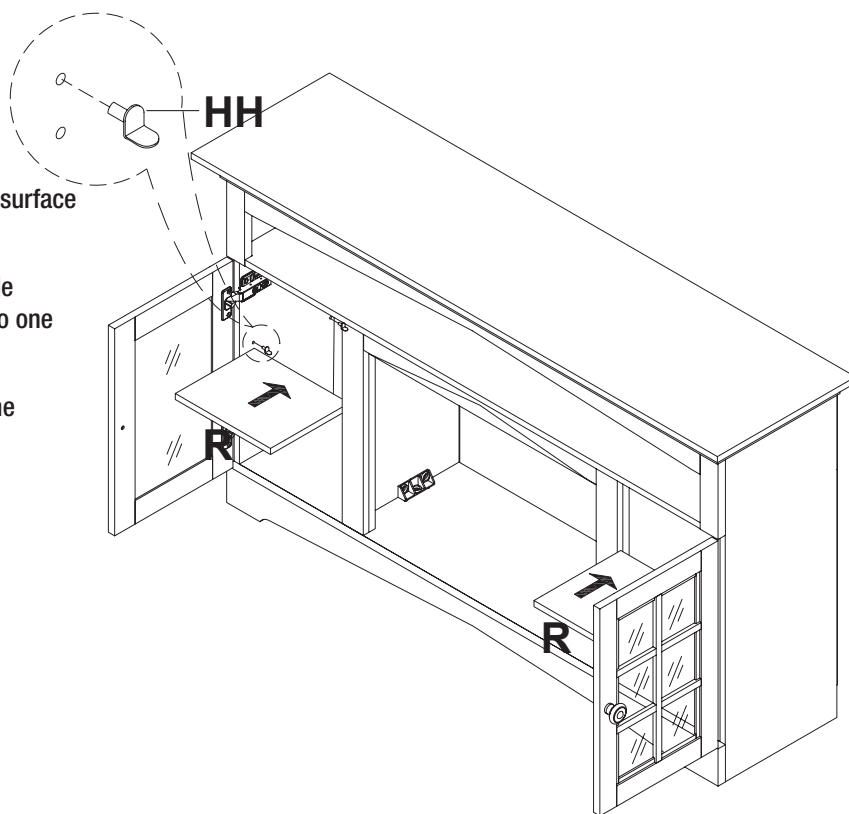
- Loosen the screws in the hinge plates (GG) in the left and right side panels (E & F).
- Line up the hinges in the left and right doors (H) with the hinge plates (GG) in the left and right side panels (E & F).
- Tighten the screws to attach the hinges to the hinge plates (GG) on the left and right side panels (E & F). Do not strip the screws by overtightening.
- Attach knobs (EE) to the left and right doors (H) by inserting the bolts through the doors (H) and turning clockwise into the knobs (EE). Do not strip the bolts by overtightening.



NOTE: The door's left/right and forward/back, positions are adjusted by turning the screws in the hinge pivot as shown in the illustration.

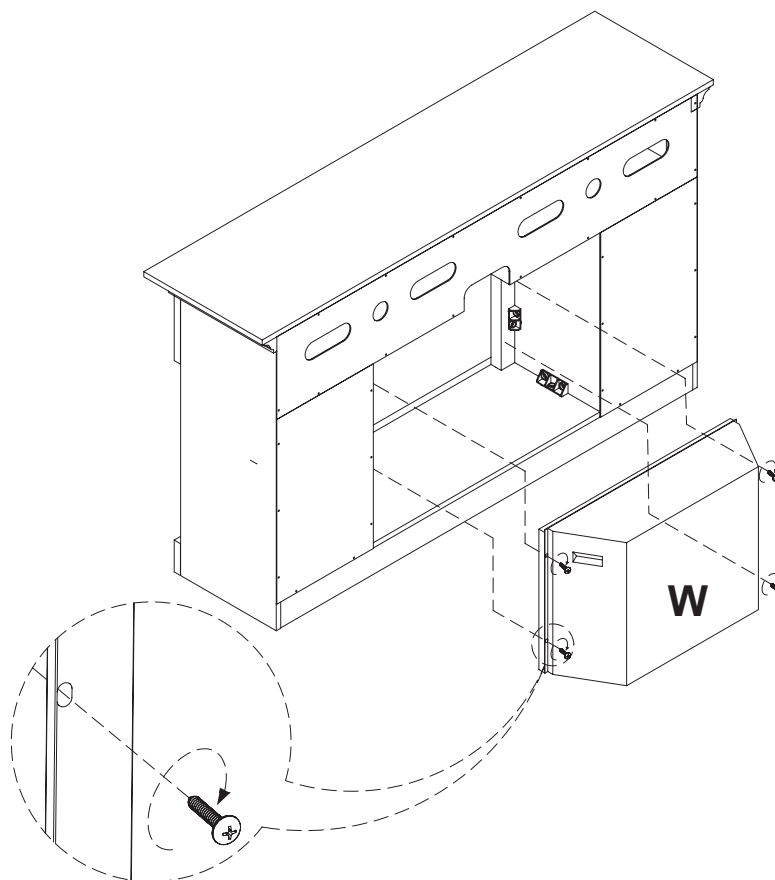
15 Installing the shelves

- Locate the two shelves (R) and place them on a soft surface to protect the finish.
- Insert the 8 shelf pins (HH) into the interior of the side panels (E, F & G). Be sure to insert the pins parallel to one another to ensure the shelves (R) are level.
- Insert the shelves (R) onto the shelf pins (HH) with the finished side visible.



16 Installing the firebox

- Insert the firebox (W) into the media console through the back opening.
- Push the firebox (W) forward through the front opening until the metal trim of the firebox (W) is flush with the left and right front panels (P & Q).
- Once the firebox is in position insert and tighten the four screws provided with the firebox through the holes in the metal trim and into the left and right front panels (T & U).
- Do not strip the screws by overtightening.



Troubleshooting

If you have any questions regarding the product, please call Home Depot Customer Service, 1-800-986-3460, 8 a.m. – 7 p.m. EST, Monday – Friday, 9 a.m. - 6 p.m., EST, Saturday.

Problem	Possible Cause	Solution
The fireplace does not operate.	<ul style="list-style-type: none"> <input type="checkbox"/> The fireplace is not plugged in. <input type="checkbox"/> A circuit breaker is tripped or a fuse blown. <input type="checkbox"/> The ON/OFF switch is defective. <input type="checkbox"/> There is loose wiring. 	<ul style="list-style-type: none"> <input type="checkbox"/> Make sure the fireplace is plugged in to a standard 120V outlet. <input type="checkbox"/> Check additional appliances on the circuit; ideally the fireplace should be on a dedicated 15-amp circuit. <input type="checkbox"/> Call customer service. <input type="checkbox"/> Call customer service.
The power light is ON but the flame effect is not visible.	<ul style="list-style-type: none"> <input type="checkbox"/> The fireplace is not operating correctly. <input type="checkbox"/> LED strip is not functioning. <input type="checkbox"/> There is loose wiring. 	<ul style="list-style-type: none"> <input type="checkbox"/> Refer to the operating instructions. <input type="checkbox"/> Call customer service. <input type="checkbox"/> Call customer service.
The heater is not operating.	<ul style="list-style-type: none"> <input type="checkbox"/> The heater is not operating correctly. <input type="checkbox"/> The heater switch is defective. <input type="checkbox"/> The heater assembly is defective. <input type="checkbox"/> There is loose wiring. <input type="checkbox"/> The vents are dirty or clogged. 	<ul style="list-style-type: none"> <input type="checkbox"/> Refer to the operating instructions. <input type="checkbox"/> Call customer service. <input type="checkbox"/> Call customer service. <input type="checkbox"/> Call customer service. <input type="checkbox"/> Unplug the unit. Clear the vent area of dust and debris. Wait ten minutes, plug the unit in again and turn on the heater.
There is excessive noise when the heater is operating.	<ul style="list-style-type: none"> <input type="checkbox"/> The blower is dirty or clogged. <input type="checkbox"/> The heater assembly is defective. 	<ul style="list-style-type: none"> <input type="checkbox"/> Refer to Maintenance of Motors in the Care and Maintenance section of the firebox manual. <input type="checkbox"/> Call customer service.
The power light is ON but the ember bed flame is not flickering.	<ul style="list-style-type: none"> <input type="checkbox"/> LED strip is not functioning. <input type="checkbox"/> There is loose wiring. 	<ul style="list-style-type: none"> <input type="checkbox"/> Call customer service. <input type="checkbox"/> Call customer service.
There is excessive noise when the flame is ON but the heater is OFF.	<ul style="list-style-type: none"> <input type="checkbox"/> The rotating flame reflector shaft is rubbing against the housing. <input type="checkbox"/> The flame reflector shaft motor is defective. 	<ul style="list-style-type: none"> <input type="checkbox"/> Open the back of the firebox and reposition the flame reflector shaft. Turn off the unit prior to servicing. <input type="checkbox"/> Call customer service.

Care & Cleaning

- Always turn the heater OFF and unplug the power cord from the outlet before cleaning.
- Cleaning of the control panel, located in the upper right-hand corner of the fireplace behind the sliding control panel cover, is to be done only using a soft cloth, slightly dampened in water (if needed, a small amount of dish soap can be added to the water) and dried using a clean, dry soft cloth. Cleaning of the screen diffuser is to be done using only water and lint free cloth. DO NOT use any abrasive cleaners on the diffusing screen.

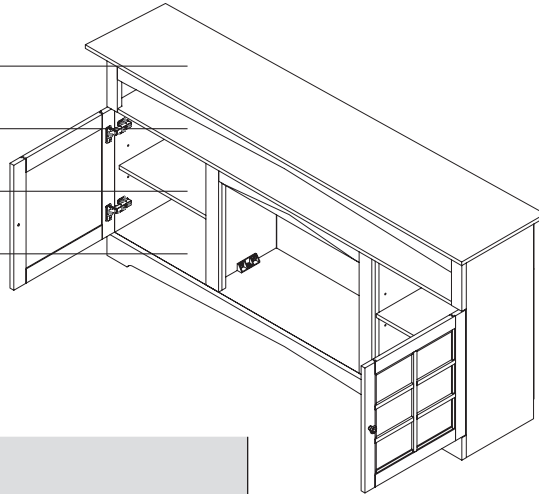
Shelf Weight Capacity

95 lbs (43.1 kg)

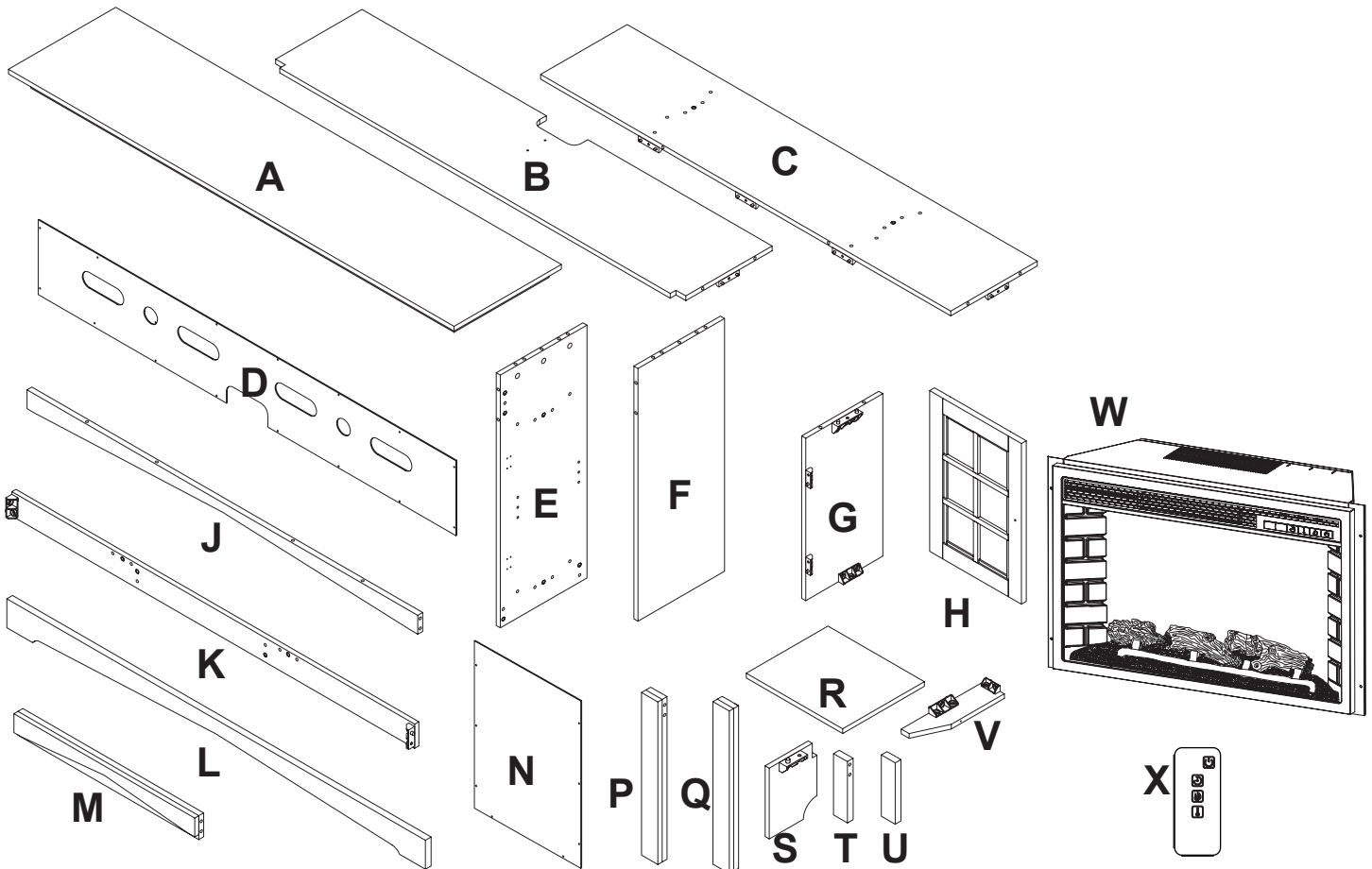
50 lbs (22.7 kg)

20 lbs (9.1 kg)

50 lbs (22.7 kg)



Service Parts



Service Parts (continued)

Part	Description	Quantity	Part Number 365-187-170-Y Aged Black Finish	Part Number 365-187-165-Y Aged White Finish	Part Number 365-187-48-Y Espresso Finish
A	Top Panel	1	20-06-230	20-06-250	20-06-270
B	Media Shelf	1	20-06-231	20-06-251	20-06-271
C	Base Panel	1	20-06-232	20-06-252	20-06-272
D	Upper Back Panel	1	20-06-233	20-06-253	20-06-273
E	Left Side Panel	1	20-06-234	20-06-254	20-06-274
F	Right Side Panel	1	20-06-235	20-06-255	20-06-275
G	Inside Panel	2	20-06-236	20-06-256	20-06-276
H	Cabinet Door	2	20-06-237	20-06-257	20-06-277
J	Top Rail	1	20-06-238	20-06-258	20-06-278
K	Rear Apron Panel	1	20-06-239	20-06-259	20-06-279
L	Front Apron Panel	1	20-06-240	20-06-260	20-06-280
M	Top Trim	1	20-06-241	20-06-261	20-06-281
N	Side Back Panel	2	20-06-242	20-06-262	20-06-282
P	Left Trim	1	20-06-243	20-06-263	20-06-283
Q	Right Trim	1	20-06-329	20-06-330	20-06-331
R	Adjustable Shelf	2	20-06-244	20-06-264	20-06-284
S	Support Panel	1	20-06-245	20-06-265	20-06-285
T	Left Front Panel	1	20-06-246	20-06-266	20-06-286
U	Right Front Panel	1	20-06-247	20-06-267	20-06-287
V	Support Leg	2	20-06-248	20-06-268	20-06-288
W	Firebox	1	27-900-002		
X	Firebox Remote Control	1	EF33510AS-15		
	Hardware Pack	1	20-09-552		
	Manual	1	20-10-268		

HOME DECORATORS COLLECTION

Questions, problems, missing parts? Before returning to the store,
call Home Decorators Collection Customer Service
8 a.m. - 7 p.m., EST, Monday-Friday, 9 a.m. - 6 p.m., EST, Saturday

1-800-986-3460

HOMEDEPOT.COM/HOMEDECORATORS

Retain this manual for future use.

Manufactured by: GHP Group, Inc. • 6440 W. Howard St. • Niles, IL 60714-3302

Printed in China

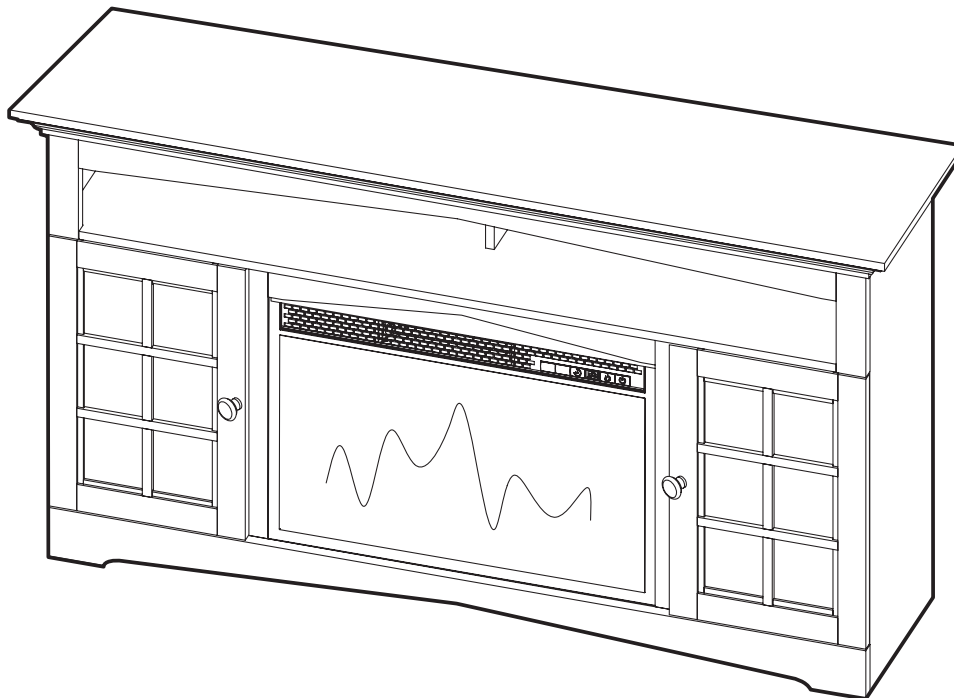
Núm. de artículo # 207001070
207001081
207001071

HOME
DECORATORS
COLLECTION

Núm. de modelo # 365-187-170-Y
365-187-165-Y
365-187-48-Y

GUÍA DE USO Y CUIDADO

COLECCIÓN AVONDALE GROVE: CHIMENEA ELÉCTRICA CON REPISA



INSTRUCCIONES IMPORTANTES

POR FAVOR, LEA ESTE MANUAL ANTES DE LA INSTALACIÓN Y USO DEL DISPOSITIVO

¡ADVERTENCIA!

SI LA INFORMACIÓN EN ESTE MANUAL NO SE SIGUE CON EXACTITUD, PUEDE RESULTAR UN CHOQUE ELÉCTRICO O INCENDIO OCACIONANDO DAÑOS A LA PROPIEDAD, LESIONES PERSONALES O LA MUERTE.

INSTALADOR: Deje este manual con el dispositivo.
CONSUMIDOR: Conserve este manual para uso futuro.

¿Preguntas, problemas o partes faltantes? Antes de regresar a la tienda,
llame al servicio de atención al cliente de Home Decorators Collection
8 a.m. - 7 p.m., Hora del Este de lunes a viernes, 9 a.m. - 6 p.m., Hora del Este de Sábado

1-800-986-3460

HOMEDEPOT.COM/HOMEDECORATORS

GRACIAS

Apreciamos la confianza depositada en Home Decorators Collection por medio de la compra de esta chimenea eléctrica con repisa. Nos esforzamos para crear continuamente productos de calidad diseñados para mejorar su hogar. Visítenos en internet para ver nuestra línea completa de productos disponibles para el mejoramiento de su hogar. ¡Gracias por elegir Home Decorators Collection!

Tabla de contenido

Tabla de contenido	18	Piezas incluidas	19
Garantía	18	Contenido del paquete	20
Pre-ensamblaje	19	Ensamblaje	21
Planificación del ensamblaje	19	Resolución de fallas	29
Herramientas necesarias	19	Cuidado y limpieza	30
		Capacidad de carga de la repisa	30
		Piezas de servicio	30

Garantía

GARANTÍA DE 1 AÑO

LO QUE ESTÁ CUBIERTO

El fabricante garantiza que su nueva chimenea eléctrica está libre de defectos de fabricación y materiales por un periodo de un año a partir de la fecha de compra, sujeto a las siguientes condiciones y limitaciones.

Esta chimenea eléctrica debe ser instalada y operada en todo momento de acuerdo con las instrucciones proporcionadas con el producto. Cualquier alteración, abuso intencionado, accidente o mal uso del producto anulará esta garantía. Esta garantía es intransferible y es hecha al propietario original, siempre que la compra fue hecha mediante un proveedor autorizado del fabricante. Esta garantía está limitada a la reparación o reemplazo de pieza(s) que se encuentren defectuosas en materiales o mano de obra, siempre que tal(es) pieza(s) hayan estado sujetas a condiciones normales de uso y servicio, luego de que dicho defecto sea confirmado por la inspección de fabricante. El fabricante puede, a su discreción, liberar de todas las obligaciones, con respecto a esta garantía mediante el reembolso del precio al por mayor de la(s) pieza(s) defectuosa(s).

LO QUE NO ESTÁ CUBIERTO

Cualquier instalación, trabajo, construcción, transporte u otros costos/gastos que surjan de pieza(s) defectuosa(s), reparación, reemplazo u otra cosa similar, no será cubierta por esta garantía y tampoco el fabricante asumirá responsabilidad por lo mismo. Además, el fabricante no será responsable de ningún daño incidental, indirecto o consecuente, excepto como lo establezca la ley.

Todas las otras garantías, expresas o implícitas, con respecto al producto, sus componentes y accesorios, o cualquier obligación/responsabilidad civil sobre la pieza del fabricante, por la presente se excluyen expresamente. El fabricante tampoco asume, ni autoriza a ninguna tercera parte a asumir, en su nombre, cualquier otra responsabilidad civil con respecto a la venta de este producto. Las garantías como están descritas dentro de este documento, no aplican a accesorios que no son del fabricante usadas junto con la instalación de este producto.

Esta garantía no cubre la(s) bombilla(s) incluidas con la chimenea.

Esta garantía no tiene validez si: la chimenea ha sido operada en atmósferas contaminadas con cloro, flúor u otro químico dañino; la chimenea está sujeta a periodos prolongados de humedad o condensación; la chimenea es alterada, maltratada intencionalmente, dañada por accidente o usada incorrectamente en cualquier manera.

Si se necesita servicio de garantía, póngase en contacto con el Equipo de Servicio al Cliente llamando 1-800-986-3460, 8 a.m. - 7 p.m., Hora del Este de lunes a viernes, 9 a.m. - 6 p.m., Hora del Este de Sábado o visite www.homedepot.com/homedecorators.

Asegúrese de tener su garantía, su recibo de venta y el número de modelo/serie de su producto.

NO INTENTE HACER TRABAJO DE SERVICIO USTED MISMO.

Pre-ensamblaje

PLANIFICACION DEL ENSAMBLAJE

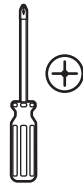
Antes de iniciar el ensamblaje localice las instrucciones y las piezas. Compare todas las piezas con la lista de piezas incluidas y contenido del embalaje. Asegúrese de tener todas las piezas y de que pueda identificarlas. Siempre es bueno contar con ayuda. Ensámblelo con asistencia de una persona adulta si es posible. Algunas piezas son pesadas y necesitará ayuda. El tiempo de ensamblaje se estima entre 30-60 minutos.

Antes de ensamblar, utilice tijeras para sacar las piezas del embalaje. No utilice una navaja o cuchillo exacto, ya que podría cortar las piezas dentro de la caja y dañar el acabado. Busque la bolsa roja de herramientas situada en el interior del empaque. No deseche ninguna pieza. Utilice un destornillador apropiado para insertar y ajustar todos los tornillos.

HERRAMIENTAS REQUERIDAS



Gafas de seguridad

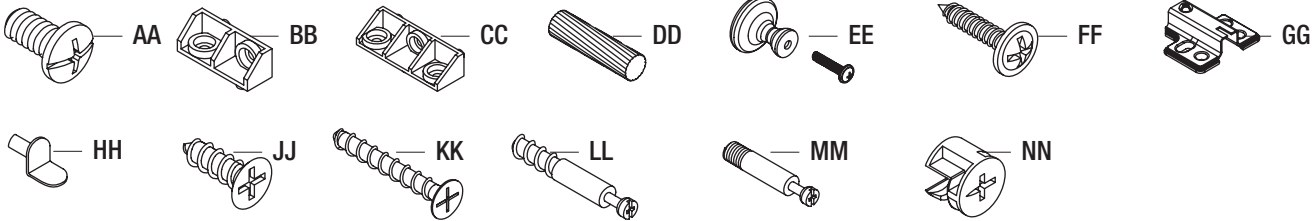


Desarmador Phillips

PIEZAS INCLUIDAS



NOTA: Las herramientas son no mostradas en su tamaño real.

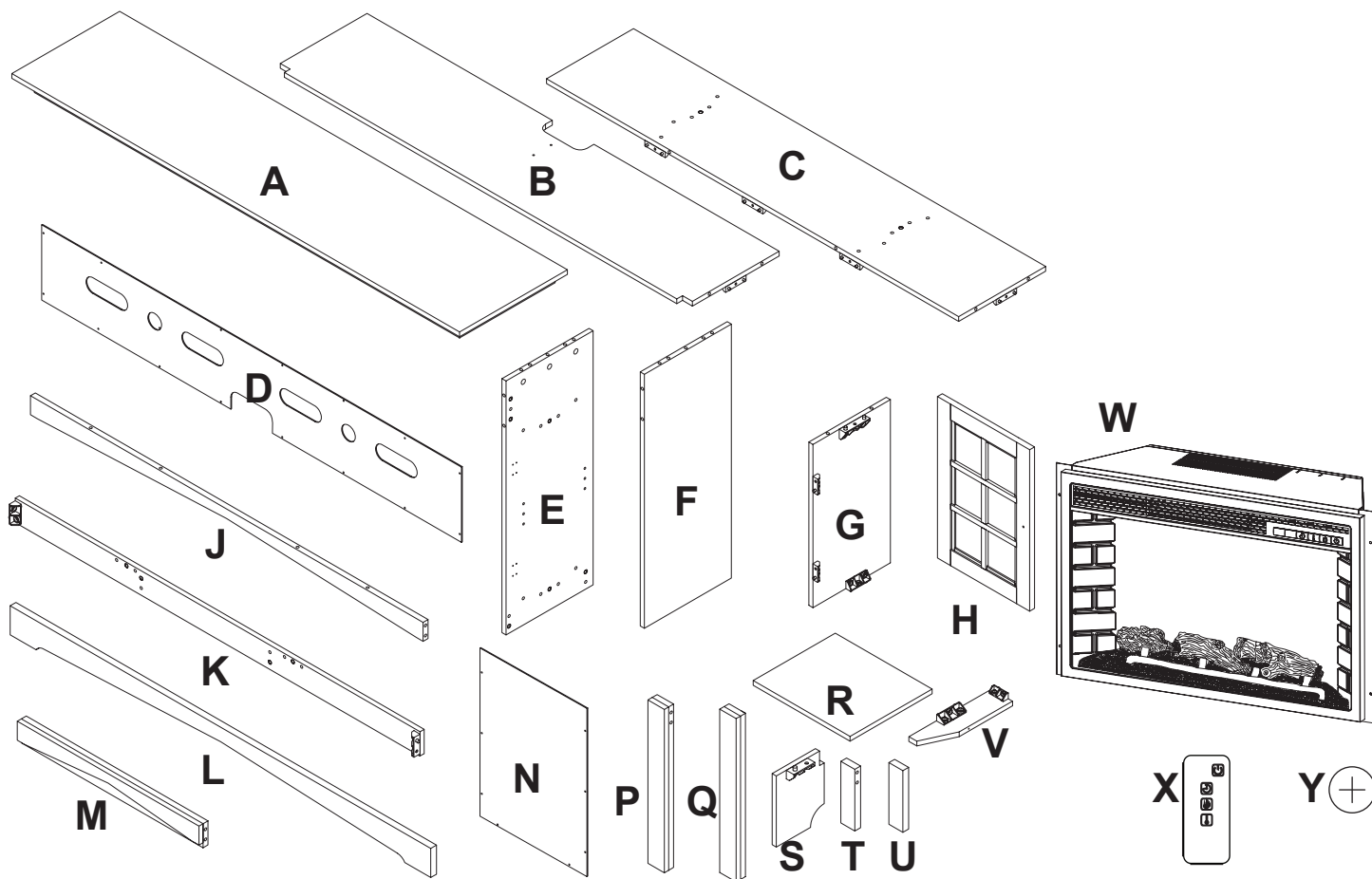


Pieza	Descripción	Cantidad
AA	Tornillo	37
BB	Conector corta	2
CC	Conector de largo	2
DD	Clavija	36
EE	Tiradores	2
FF	Panel posterior del tornillo	36
GG	La bisagra de puerta placa	4

Pieza	Descripción	Cantidad
HH	Clavija para estantes	8
JJ	Tornillo de bisagra	16
KK	Tornillo	2
LL	Pasador de bloqueo largo	4
MM	Pasador de bloqueo corta	4
NN	Cerradura de la leva	8

Pre-ensamblaje (continuación)

CONTENIDO DEL PAQUETE

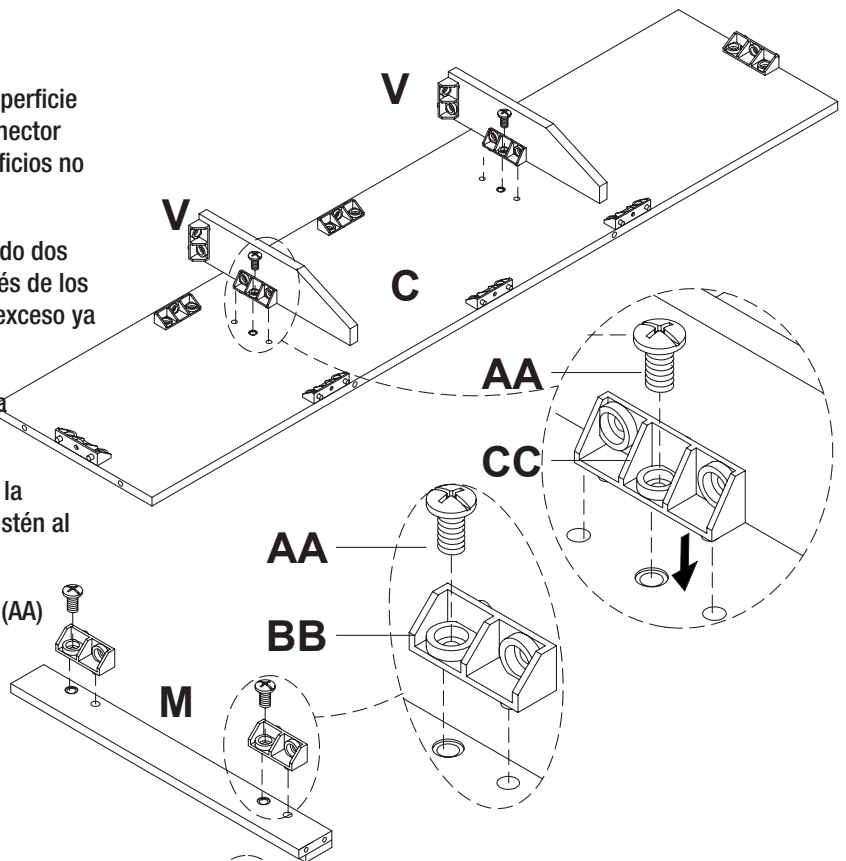


Pieza	Descripción	Cantidad
A	Panel superior	1
B	Repisa multimedia	1
C	Panel de base	1
D	Panel trasero superior	1
E	Panel lateral izquierdo	1
F	Panel lateral derecho	1
G	Panel interior	2
H	Puerta del mueble	2
J	Riel superior	1
K	Panel del faldón trasero	1
L	Panel del faldón frontal	1
M	Moldura superior	1

Pieza	Descripción	Cantidad
N	Panel trasero lateral	2
P	Moldura izquierda	1
Q	Moldura derecha	1
R	Repisa ajustable	2
S	Panel de soporte	1
T	Panel frontal izquierdo	1
U	Panel frontal derecho	1
V	Pata de soporte	2
W	Cámara de combustión	1
X	Control remoto de la cámara de combustión	1
Y	Batería de botón	1

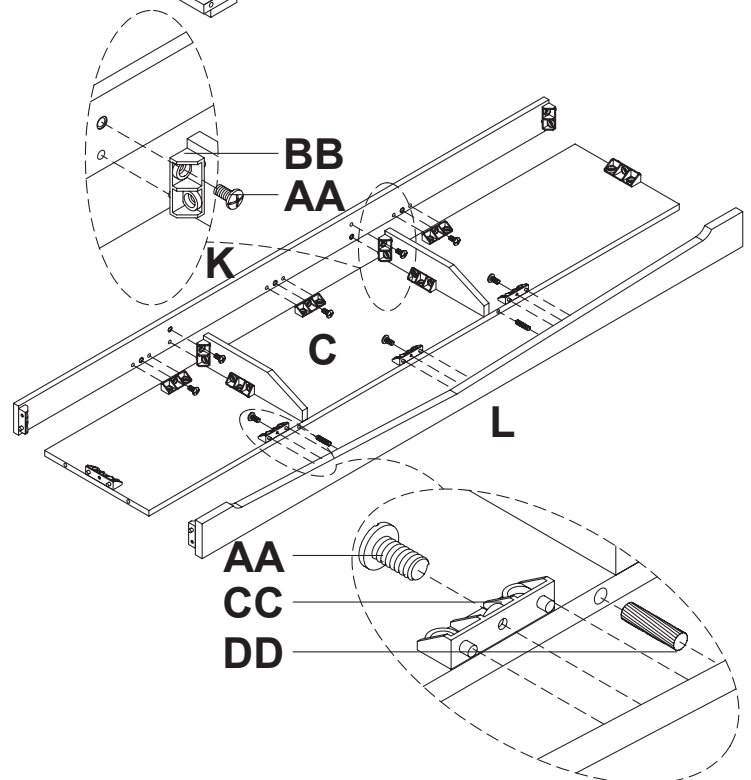
1 Unión de las patas de soporte

- Localice el panel de base (C) y colóquelo sobre una superficie suave para proteger el acabado. Alinee e inserte el conector largo (CC) en las patas de soporte (V) dentro de los orificios no roscados en el centro del panel de base (C).
- Una las patas de soporte (V) al panel de base (C) girando dos pernos (AA) en el sentido de las agujas del reloj a través de los conectores largos (CC). No apriete los pernos (AA) en exceso ya que podría dañarlos.
- Localice la moldura superior (M) y colóquela sobre una superficie suave para proteger el acabado.
- Inserte dos conectores cortos (BB) donde se indica en la moldura superior (M). Empuje firmemente hasta que estén al ras.
- Una los conectores cortos (BB) insertando dos pernos (AA) y girando en el sentido de las agujas del reloj.



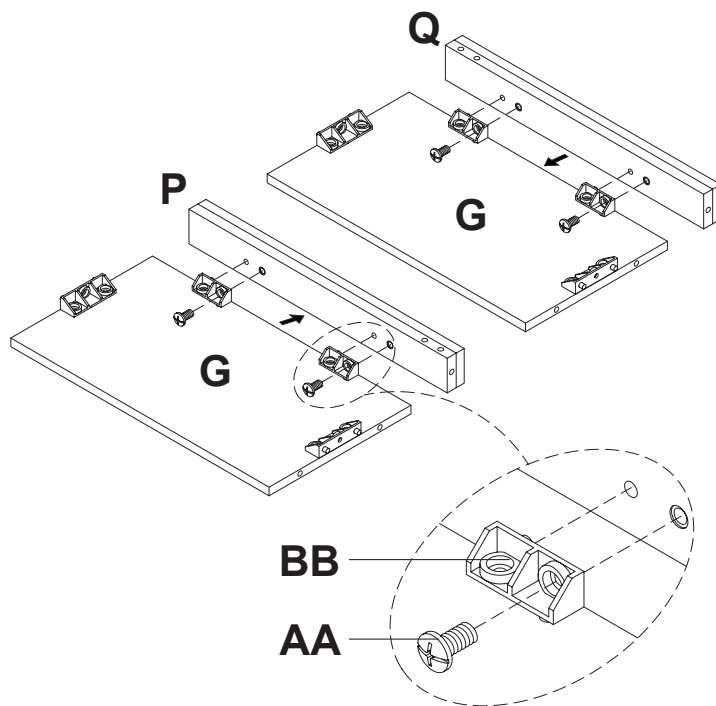
2 Unión de los paneles frontal y trasero a la base

- Alinee e inserte dos espigas de madera (DD) dentro de los orificios no roscados en el lateral del panel de base (C). Alinee las espigas de madera (DD) con los orificios no roscados en el panel del faldón frontal (L). Presione los paneles a la vez hasta que estén al ras.
- Alinee los conectores cortos y largos (BB y CC) en el ensamblaje de la base (C) con los orificios no roscados en el panel del faldón trasero (K).
- Inserte ocho pernos (AA) dentro de los conectores cortos y largos (BB y CC) en el ensamblaje de la base.
- Una los paneles del faldón frontal y trasero (L y K) girando los pernos (AA) en el sentido de las agujas del reloj. No apriete los pernos (AA) en exceso ya que podría dañarlos.



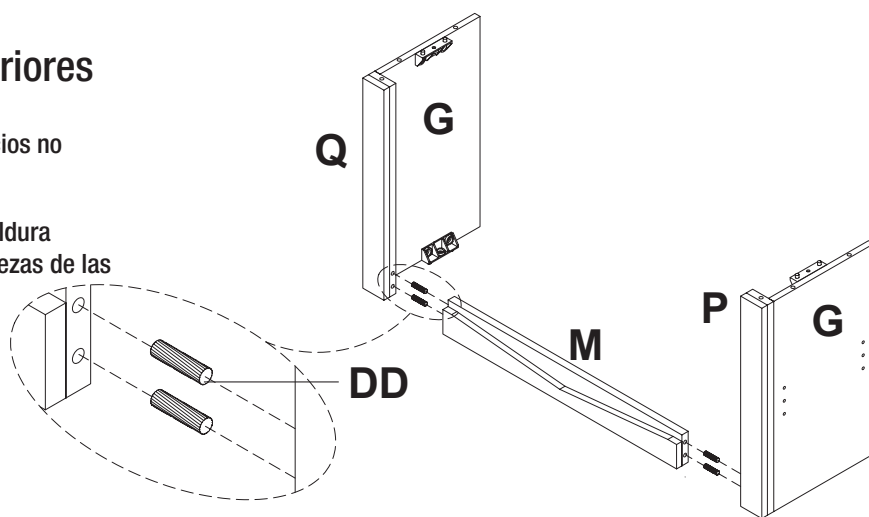
3 Colocación de las piezas de las molduras izquierda y derecha

- Alinee los conectores cortos (BB) en los paneles interiores (G) con los orificios no roscados en las piezas de las molduras izquierda y derecha (P y Q). Empuje firmemente hasta que estén al ras.
- Inserte cuatro pernos (AA) en los conectores cortos (BB) donde se indica en los paneles interiores.
- Fije las piezas de las molduras izquierda y derecha (P y Q) girando los pernos (AA) en el sentido de las agujas del reloj. No apriete los pernos (AA) en exceso ya que podría dañarlos.



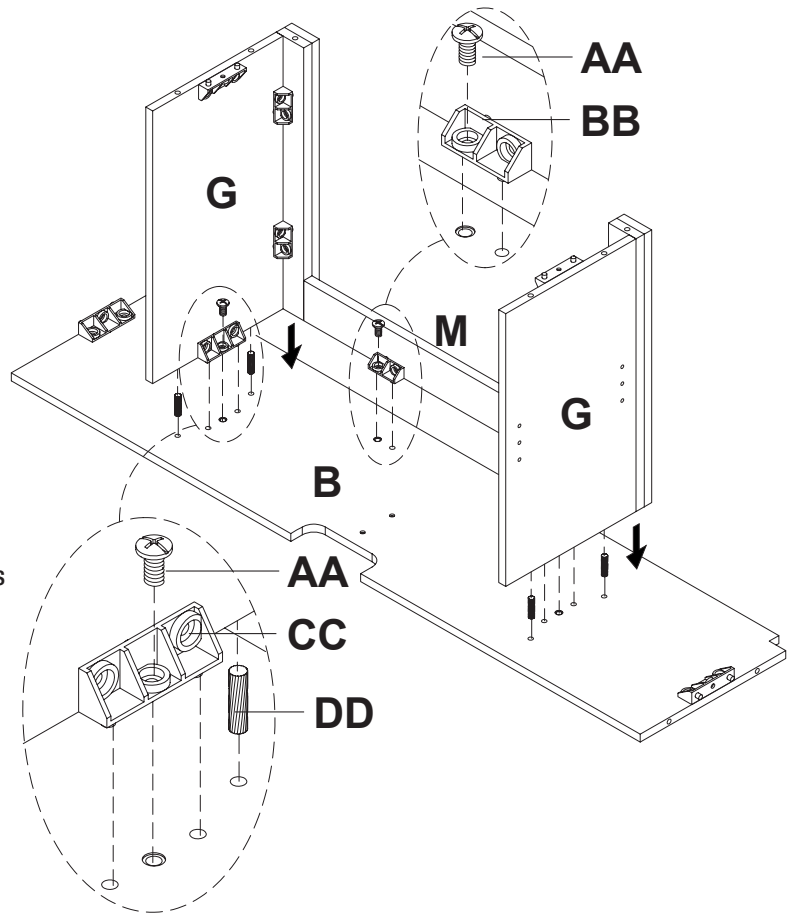
4 Colocación de los paneles interiores

- Inserte cuatro espigas de madera (DD) en los orificios no roscados en la moldura superior (M).
- Alinee las cuatro espigas de madera (DD) en la moldura superior (M) con los orificios no roscados en las piezas de las molduras izquierda y derecha (P y Q).
- Empuje firmemente hasta que estén al ras.



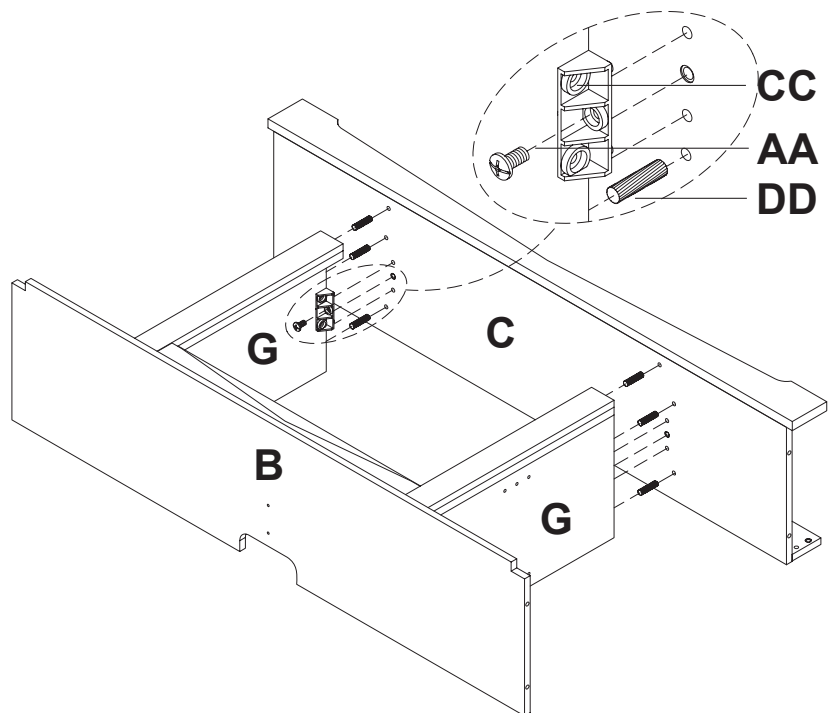
5 Colocación de la repisa multimedia

- Inserte cuatro espigas de madera (DD) en los orificios no roscados de la repisa multimedia (B).
- Alinee las espigas de madera (DD) en la repisa multimedia (B) con los orificios no roscados en los paneles interiores izquierdo y derecho (G).
- Alinee los conectores cortos y largos (BB y CC) que están en el ensamblaje del panel interior con los agujeros en la repisa multimedia (B).
- Empuje el ensamblaje del panel interior hacia abajo firmemente sobre la repisa multimedia hasta que estén al ras.
- Inserte cuatro pernos (AA) en los conectores cortos y largos (BB y CC) en el ensamblaje del panel interior.
- Una el ensamblaje del panel interior a la repisa multimedia (B) girando los pernos (AA) en el sentido de las agujas del reloj. No apriete los pernos (AA) en exceso ya que podría dañarlos.



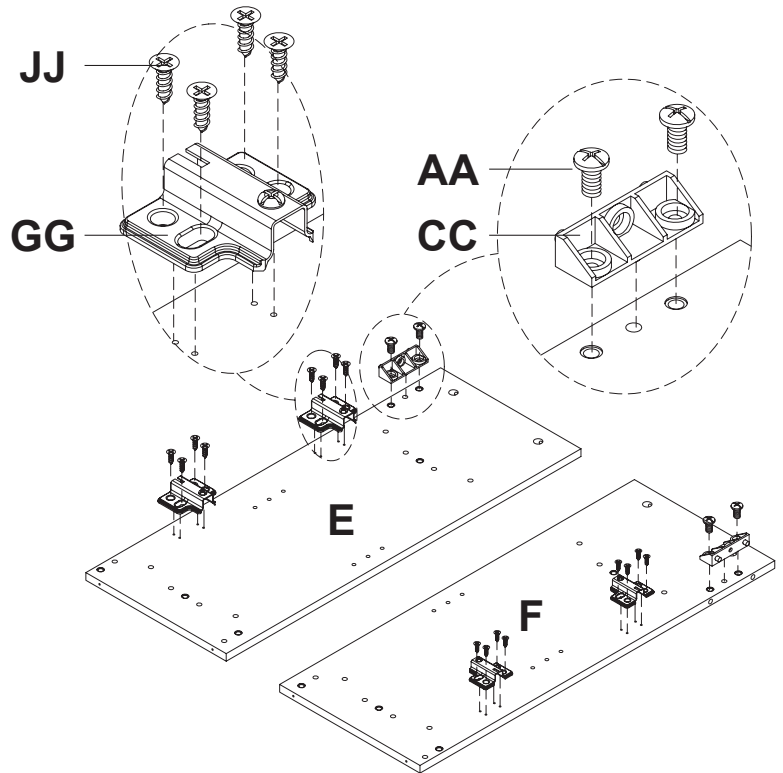
6 Colocación de la base

- Inserte seis espigas de madera (DD) en los orificios no roscados en el ensamblaje de la repisa multimedia.
- Alinee las espigas de madera (DD) con los orificios no roscados en el panel de base (C). Presione los paneles a la vez hasta que estén al ras.
- Una el panel de base (C) al ensamblaje de la repisa multimedia insertando dos pernos (AA) a través de los conectores largos (CC) en los paneles interiores (G) y girando en el sentido de las agujas del reloj. No apriete los pernos (AA) en exceso ya que podría dañarlos.



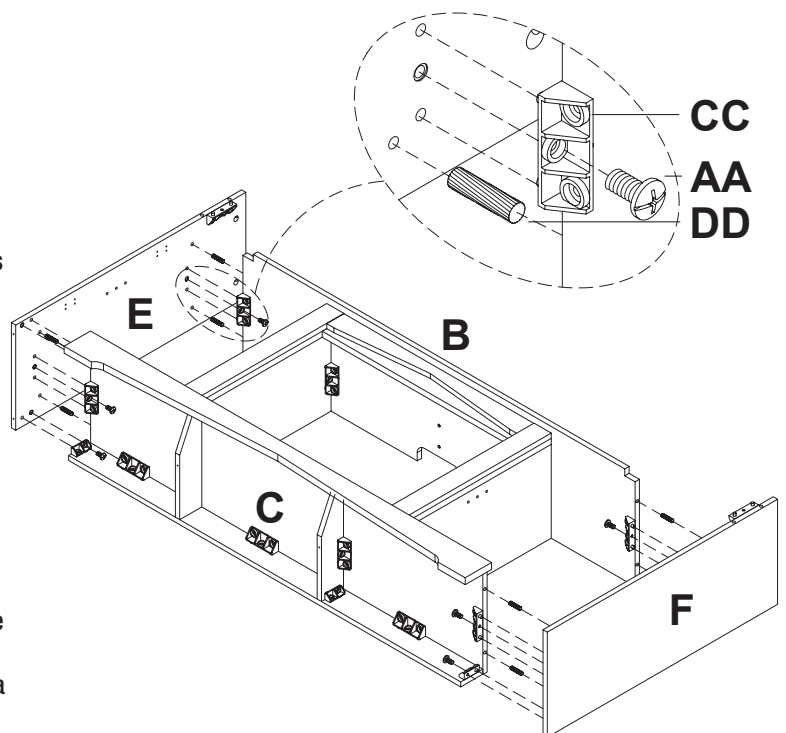
7 Colocación de herrajes en los paneles laterales

- ❑ Localice los paneles laterales izquierdo y derecho (E y F) y colóquelos sobre una superficie suave para proteger el acabado.
- ❑ Inserte conectores largos (CC) donde se indica en los paneles laterales izquierdo y derecho (E y F). Presione firmemente hacia abajo hasta que quede nivelado.
- ❑ Fije los conectores largos (CC) insertando y girando cuatro pernos (AA) en el sentido de las agujas del reloj. No apriete los pernos (AA) en exceso ya que podría dañarlos.
- ❑ Coloque las cuatro placas de las bisagras de las puertas (GG) en los paneles izquierdo y derecho (E y F) insertando y apretando los 16 tornillos de las bisagras (JJ). No apriete en exceso ya que podría romper los tornillos de las bisagras (JJ).



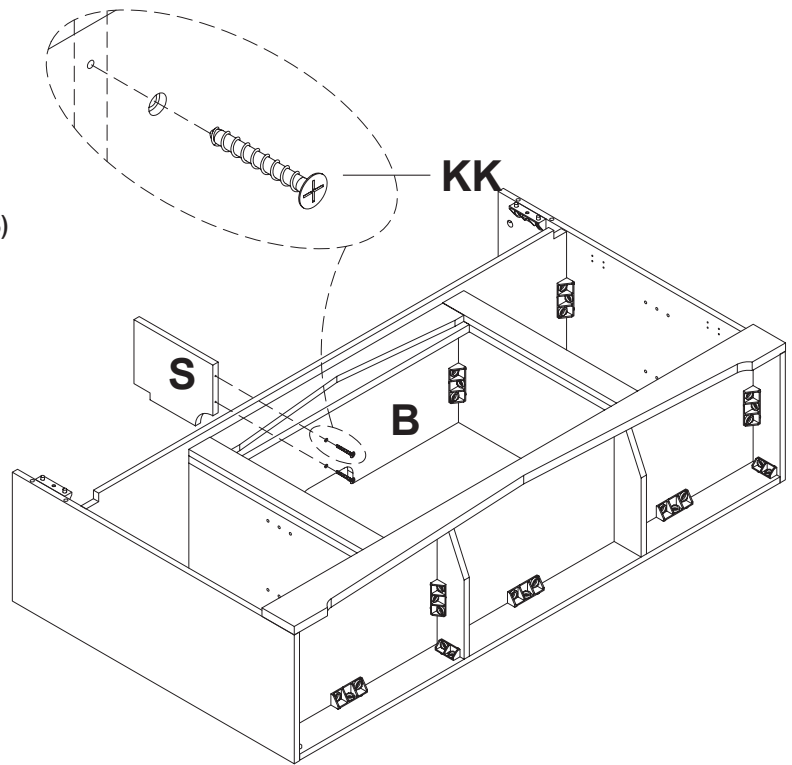
8 Unión de los paneles laterales

- ❑ Inserte ocho espigas de madera (DD) en los orificios no roscados en los laterales de la repisa multimedia (B) y el panel de base (C).
- ❑ Alinee las espigas de madera (DD) en los laterales de la repisa multimedia (B) y el panel de base (C) con los orificios no roscados en los paneles laterales izquierdo y derecho (E y F).
- ❑ Alinee los conectores largos (CC) en la repisa multimedia (B) y el panel de base (C) con los orificios en los paneles laterales izquierdo y derecho (E y F).
- ❑ Empuje los paneles laterales izquierdo y derecho (E y F) firmemente hasta que estén al ras con el ensamblaje de la consola multimedia.
- ❑ Una los paneles laterales izquierdo y derecho al ensamblaje de la consola multimedia insertando ocho pernos (AA) a través de los conectores largos (CC) en la repisa multimedia (B) y el panel de base (C) y gire en el sentido de las agujas del reloj. No apriete los pernos (AA) en exceso ya que podría dañarlos.



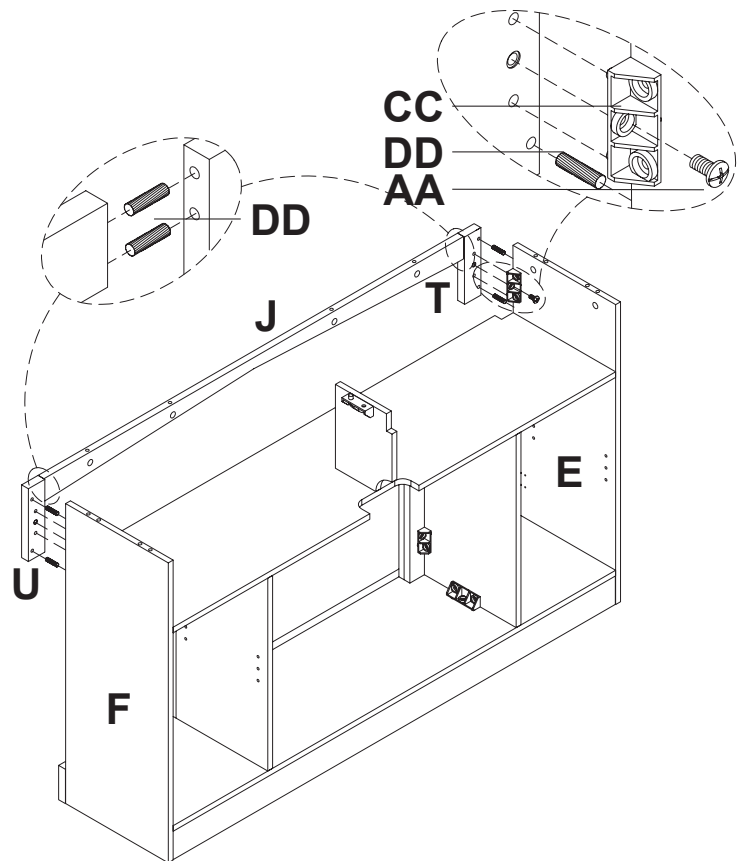
9 Colocación del panel de soporte

- Una el panel de soporte (S) a la repisa multimedia (B) alineando los orificios en la parte inferior del panel de soporte (S) con los orificios en la repisa multimedia (B). Inserte y apriete dos tornillos (KK) en el panel de soporte (S) a través de la repisa multimedia (B).
- No apriete los tornillos (KK) en exceso ya que podría dañarlos.



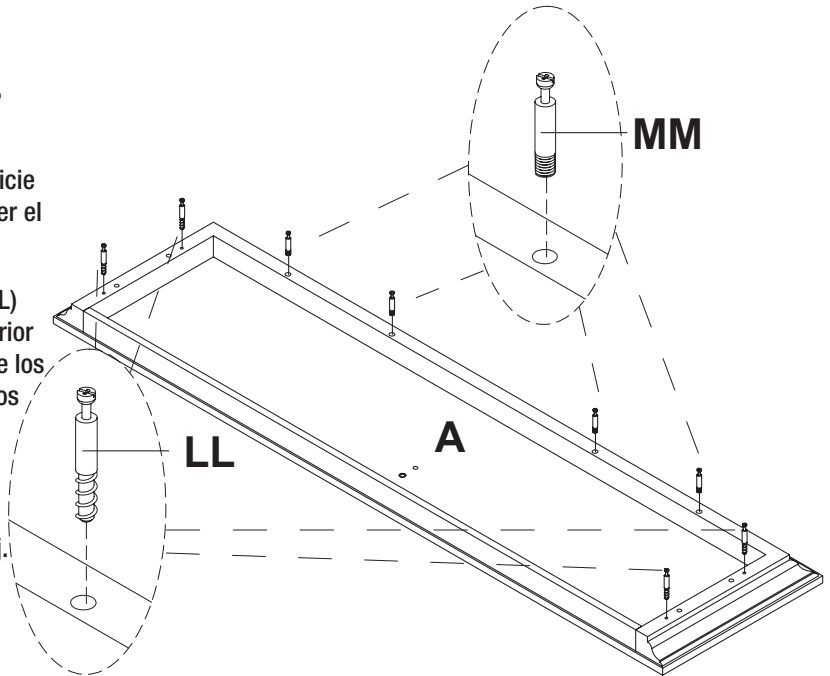
10 Colocación del riel superior

- Inserte cuatro espigas de madera (DD) en los orificios no roscados en los laterales del riel superior (J).
- Alinee las espigas de madera (DD) en el riel superior (J) con los orificios no roscados en los laterales de los paneles frontales izquierdo y derecho (T y U). Empuje firmemente hasta que estén al ras.
- Inserte 4 espigas de madera (DD) en los orificios no roscados en la parte trasera de los paneles frontales izquierdo y derecho (T y U).
- Alinee las espigas de madera (DD) en los paneles frontales izquierdo y derecho (T y U) con los orificios no roscados en los paneles laterales izquierdo y derecho (E y F).
- Alinee los conectores largos (CC) en los paneles laterales izquierdo y derecho (E y F) con los orificios en los paneles frontales izquierdo y derecho (T y U). Empuje firmemente hasta que estén al ras.
- Una el ensamblaje del riel superior a los paneles laterales izquierdo y derecho (E y F) insertando dos pernos (AA) a través de los conectores largos (CC) en los paneles laterales izquierdo y derecho (E y F) y girando en el sentido de las agujas del reloj. No apriete los pernos (AA) en exceso ya que podría dañarlos.



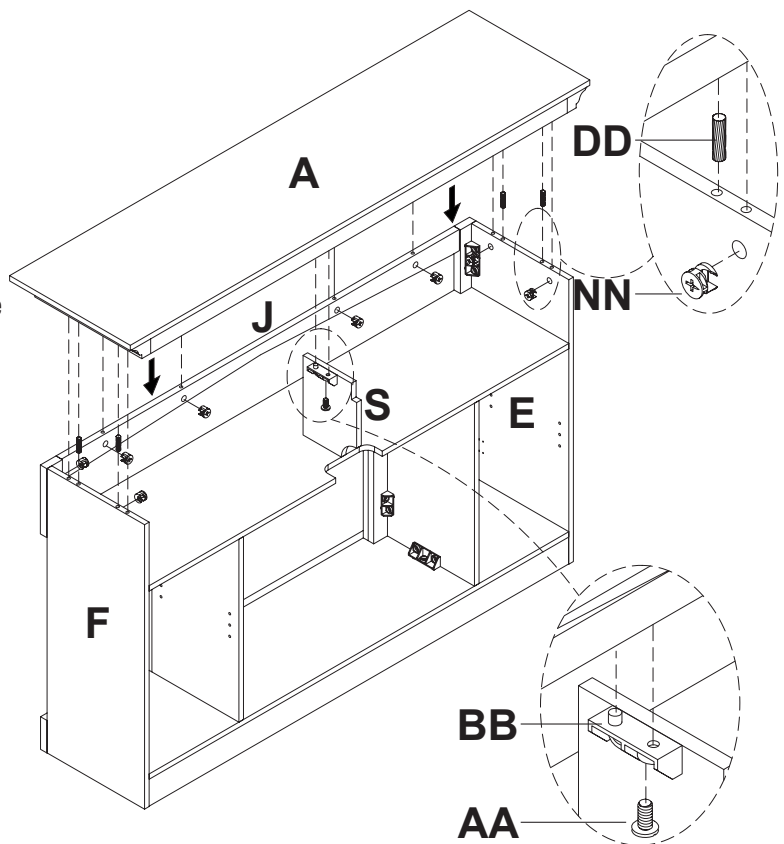
11 Preparación del panel superior

- Localice el panel superior (A) y colóquelo en una superficie suave con la cara con acabado hacia abajo para proteger el acabado.
- Inserte cuatro pasadores de cerradura de leva largos (LL) en los orificios roscados en los laterales del panel superior (A) girando en el sentido de las agujas del reloj. No dañe los pasadores de cerraduras de leva largos (LL) apretándolos en exceso.
- Inserte cuatro pasadores de cerradura de leva cortos (MM) en los orificios roscados en el frontal del panel superior (A) girando en el sentido de las agujas del reloj. No dañe los pasadores de cerraduras de leva cortos (MM) apretándolos en exceso.



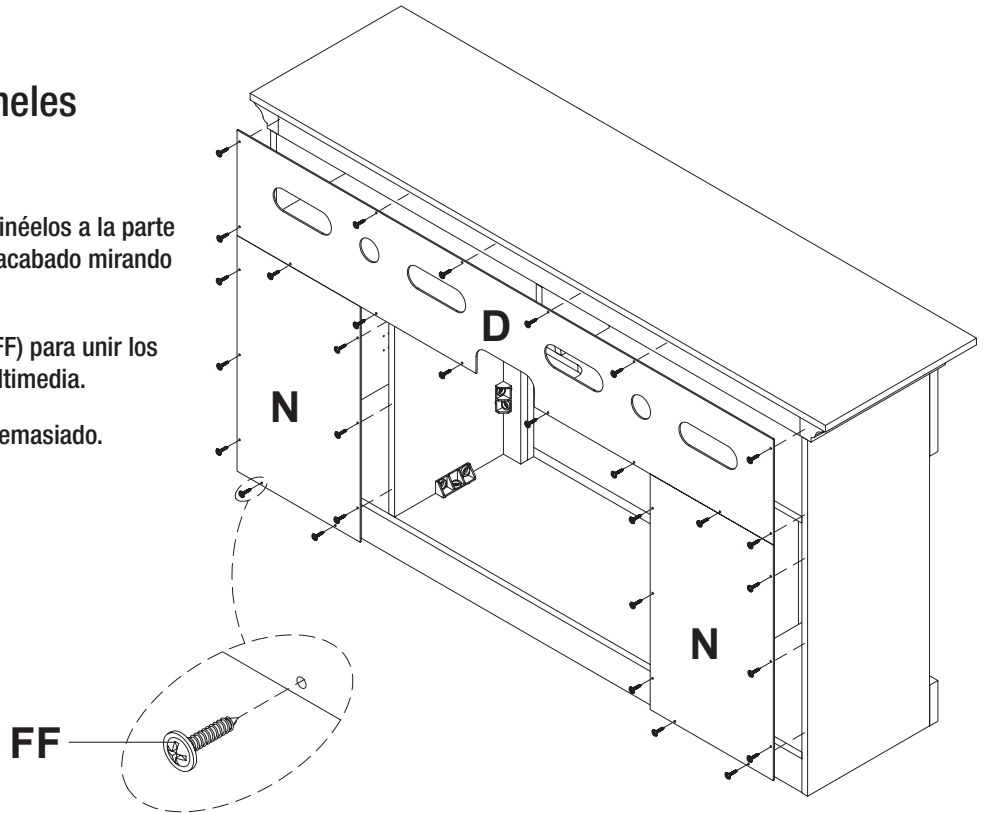
12 Unión del panel superior

- Inserte cuatro espigas de madera (DD) en los orificios no roscados en la parte superior de los paneles laterales izquierdo y derecho (E y F). Alinee las espigas de madera (DD) en los paneles laterales (E y F) con los orificios no roscados en el panel superior (A).
- Alinee los pasadores de cerradura de leva largos y cortos (LL y MM) con los orificios de los pasadores de cerradura de leva en el ensamblaje de la consola multimedia. Empuje el panel superior (A) hacia abajo hasta que esté al ras.
- Inserte ocho pasadores de cerradura de leva de metal (NN) en los orificios de los pasadores de cerradura de leva en los paneles laterales izquierdo y derecho (E y F) y el riel superior (J).
- Una el panel superior (A) al ensamblaje de la consola multimedia girando los pasadores de cerradura de leva de metal (NN) en el sentido de las agujas del reloj. No rompa los pasadores de cerraduras de leva de metal apretándolos en exceso.
- Inserte un perno (AA) a través del conector corto (BB) en la pieza de soporte (S) y apriete girando en el sentido de las agujas del reloj. No apriete los pernos (AA) en exceso ya que podría dañarlos.



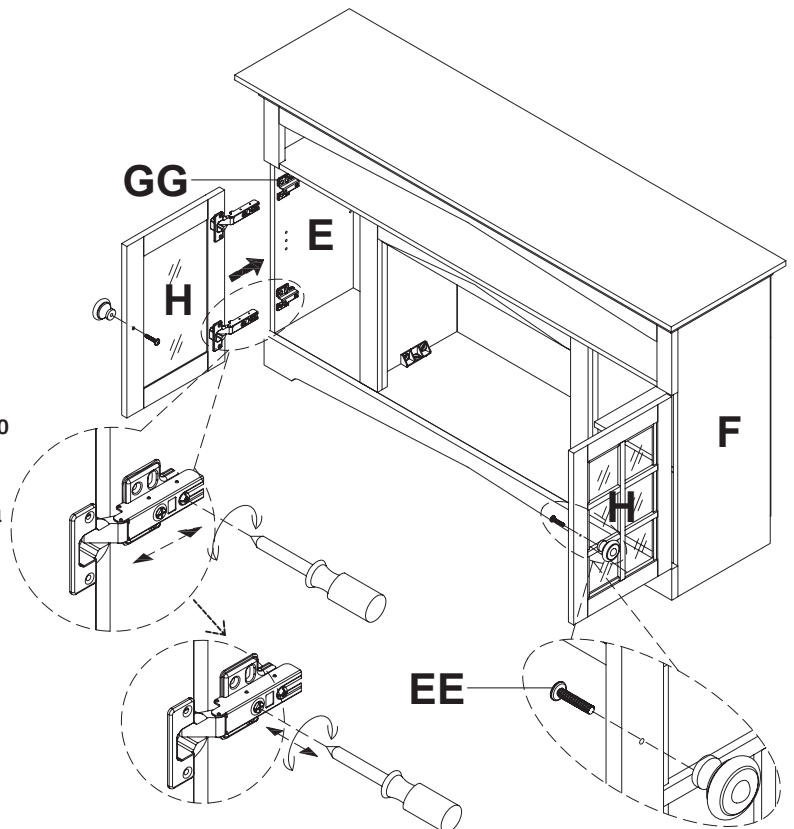
13 Colocación de los paneles traseros

- Localice los paneles traseros (D y N) y alinéalos a la parte trasera de la consola multimedia con el acabado mirando hacia adentro.
- Inserte y apriete treinta y seis tornillos (FF) para unir los paneles traseros (D y N) a la consola multimedia.
- No dañe los tornillos (FF) apretándolos demasiado.



14 Colocación de las puertas y tiradores

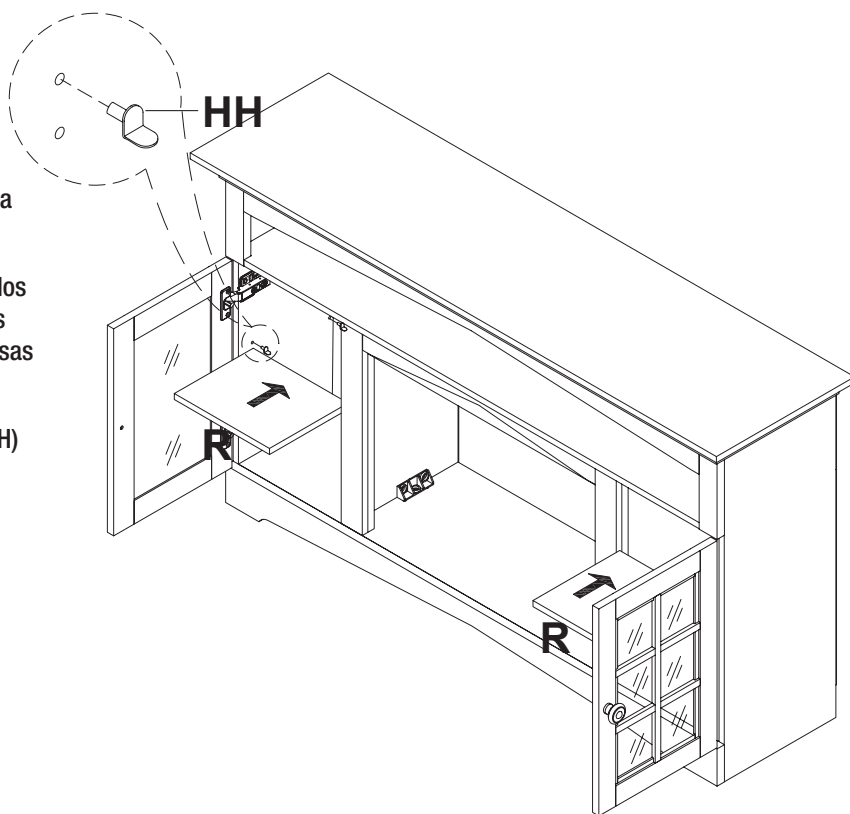
- Afloje los tornillos de las placas de las bisagras (GG) en los paneles laterales izquierdo y derecho (E y F).
- Alinee las bisagras en las puertas izquierda y derecha (H) con las placas de las bisagras (GG) en los paneles laterales izquierdo y derecho (E y F).
- Apriete los tornillos para unir las bisagras a las placas de las bisagras (GG) a los paneles laterales izquierdo y derecho (E y F). No dañe los tornillos apretándolos demasiado.
- Coloque los tiradores (EE) a las puertas izquierda y derecha (H) insertando los pernos dentro de los tiradores (EE), a través de las puertas (H), y girando en el sentido de las agujas del reloj. No apriete los pernos en exceso ya que podría dañarlos.



NOTA: Las posiciones izquierda/derecha y adelante/atrás de la puerta se ajustan girando los tornillos en el pivote de la bisagra como se muestra en el dibujo.

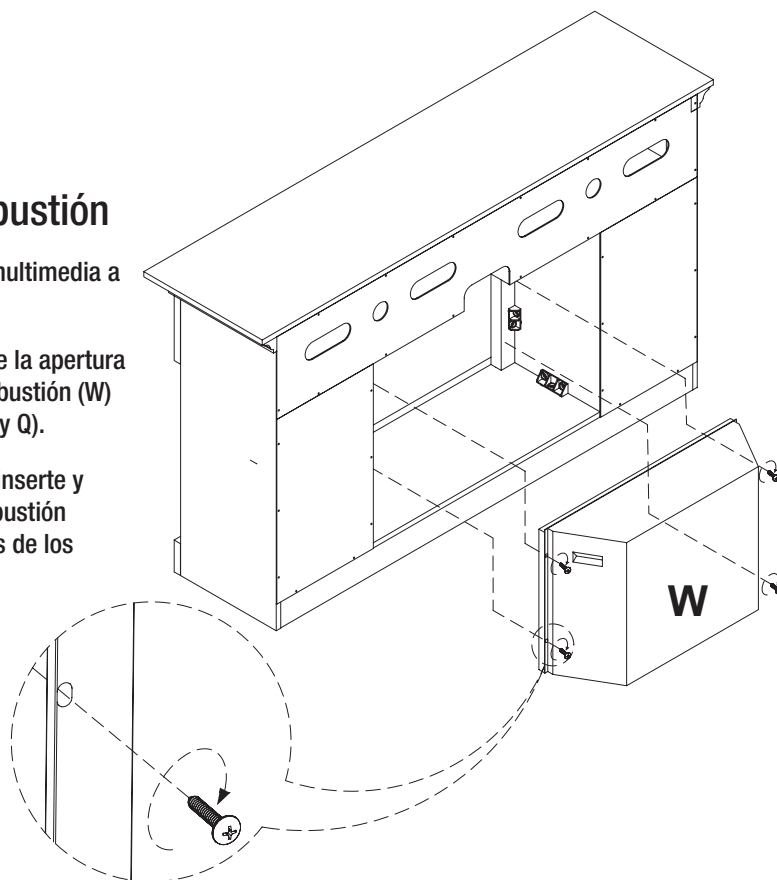
15 Inserción de las repisas

- Localice las cuatro repisas (R) y colóquelas sobre una superficie suave para proteger el acabado.
- Inserte las 8 clavijas de repisa (HH) en el interior de los paneles laterales (E, F y G). Asegúrese de insertar las clavijas paralelas entre sí para asegurar que las repisas queden niveladas.
- Inserte las repisas (R) sobre las clavijas de repisa (HH) dejando visibles las caras con acabado.



16 Instalación de la cámara de combustión

- Inserte la cámara de combustión (W) dentro de la consola multimedia a través de la apertura trasera.
- Empuje la cámara de combustión hacia adelante a través de la apertura frontal hasta que la moldura de metal de la cámara de combustión (W) esté al ras con los paneles frontales izquierdo y derecho (P y Q).
- Una vez que la cámara de combustión esté en su posición, inserte y apriete los cuatro tornillos provistos con la cámara de combustión en los paneles frontales izquierdo y derecho (T y U), a través de los orificios en la moldura de metal.
- No dañe los tornillos apretándolos demasiado.



Resolución de fallas

Si tiene preguntas respecto al producto, llame a Servicio al Cliente de Home Decorators al 1-800-986-3460, 8 a.m. - 7 p.m., Hora del Este de lunes a viernes, 9 a.m. - 6 p.m., Hora del Este de Sábado

Problema	Causa posible	Solution
La chimenea no funciona.	<ul style="list-style-type: none"> <input type="checkbox"/> La chimenea no está enchufada. <input type="checkbox"/> Un disyuntor de circuito se ha activado o un fusible ha explotado. <input type="checkbox"/> El interruptor ON/OFF está defectuoso. <input type="checkbox"/> Hay un cable flojo. 	<ul style="list-style-type: none"> <input type="checkbox"/> Asegúrese de que la chimenea esté enchufada en un tomacorriente estándar de 120V. <input type="checkbox"/> Revise los electrodomésticos adicionales en el circuito; idealmente, la chimenea debe estar en un circuito dedicado de 15 Amperios. <input type="checkbox"/> Llame a Servicio al Cliente. <input type="checkbox"/> Llame a Servicio al Cliente.
La luz de energía está encendida pero el efecto de la llama no es visible.	<ul style="list-style-type: none"> <input type="checkbox"/> La chimenea no está funcionando correctamente. <input type="checkbox"/> La tira LED no está funcionando. <input type="checkbox"/> Hay un cable flojo. 	<ul style="list-style-type: none"> <input type="checkbox"/> Consulte las instrucciones de operación. <input type="checkbox"/> Llame a Servicio al Cliente. <input type="checkbox"/> Llame a Servicio al Cliente.
El calefactor no está funcionando.	<ul style="list-style-type: none"> <input type="checkbox"/> La chimenea no está funcionando correctamente. <input type="checkbox"/> El interruptor del calefactor está defectuoso. <input type="checkbox"/> El ensamblaje del calefactor está defectuoso. <input type="checkbox"/> Hay un cable flojo. <input type="checkbox"/> Los respiraderos están sucios u obstruidos. 	<ul style="list-style-type: none"> <input type="checkbox"/> Consulte las instrucciones de operación. <input type="checkbox"/> Llame a Servicio al Cliente. <input type="checkbox"/> Llame a Servicio al Cliente. <input type="checkbox"/> Llame a Servicio al Cliente. <input type="checkbox"/> Desconecte la unidad. Limpie el área del respiradero de polvo y desechos. Espere diez minutos, enchufe la unidad de nuevo y encienda el calefactor.
Hay ruido excesivo cuando el calefactor está funcionando.	<ul style="list-style-type: none"> <input type="checkbox"/> El soplador está sucio u obstruido. <input type="checkbox"/> El ensamblaje del calefactor está defectuoso. 	<ul style="list-style-type: none"> <input type="checkbox"/> Consulte el mantenimiento de motores en la sección de cuidado y mantenimiento del manual de la cámara de combustión. <input type="checkbox"/> Llame a Servicio al Cliente.
La luz de energía está encendida pero la llama de la cama de brasas no es intermitente.	<ul style="list-style-type: none"> <input type="checkbox"/> La tira LED no está funcionando. <input type="checkbox"/> Hay un cable flojo. 	<ul style="list-style-type: none"> <input type="checkbox"/> Llame a Servicio al Cliente. <input type="checkbox"/> Llame a Servicio al Cliente.
Hay un ruido excesivo cuando la llama está ENCENDIDA pero el calefactor está APAGADO.	<ul style="list-style-type: none"> <input type="checkbox"/> El eje del reflector rotativo de la llama está rozando contra la carcasa. <input type="checkbox"/> El motor del eje del reflector de la llama está defectuoso. 	<ul style="list-style-type: none"> <input type="checkbox"/> Abra la parte trasera de la caja de fuego y reubique el eje del reflector de la llama. Apague la unidad antes de darle servicio. <input type="checkbox"/> Llame a Servicio al Cliente.

Cuidado y limpieza

- Siempre apague el calefactor y desconecte el cable eléctrico del tomacorriente antes de limpiarlo.
- La limpieza del panel de control, localizado en la esquina superior derecha de la chimenea, debe hacerse usando solamente un paño suave, ligeramente humedecido en agua (de ser necesario, se puede agregar una pequeña cantidad de jabón de platos al agua) y secarse usando un paño suave limpio y seco. La limpieza del difusor de rejilla debe hacerse usando solamente agua y un paño libre de pelusa. NO use controles abrasivos y la rejilla de difusión.

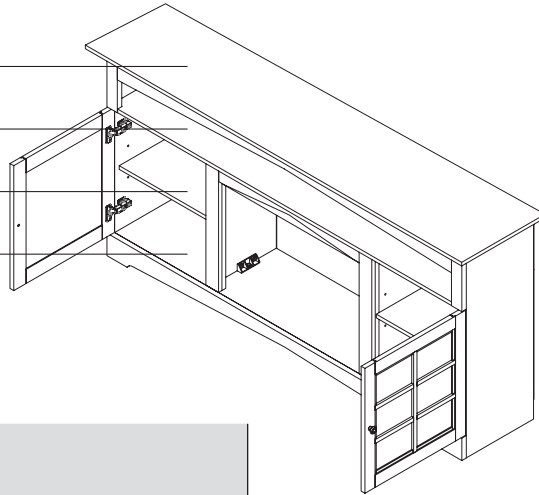
Capacidad de carga de la repisa

95 lbs (43.1 kg)

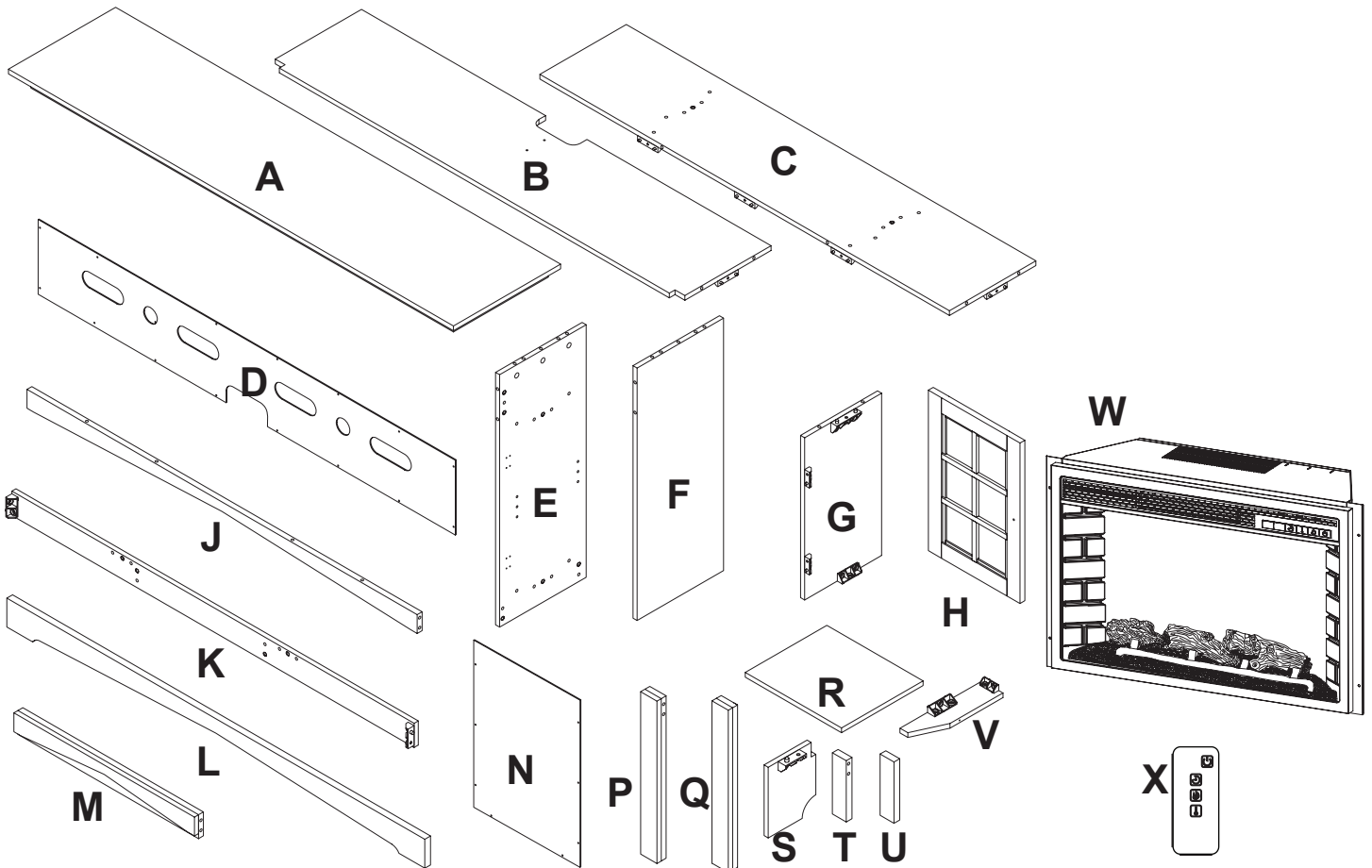
50 lbs (22.7 kg)

20 lbs (9.1 kg)

50 lbs (22.7 kg)



Piezas de servicio



Piezas de servicio (continuación)

Pieza	Descripción	Cant.	Pieza 365-187-170-Y Acabado negro envejecido	Pieza 365-187-165-Y Acabado blanco envejecido	Pieza 365-187-48-Y Acabado espresso
A	Panel superior	1	20-06-230	20-06-250	20-06-270
B	Repisa multimedia	1	20-06-231	20-06-251	20-06-271
C	Panel de base	1	20-06-232	20-06-252	20-06-272
D	Panel trasero superior	1	20-06-233	20-06-253	20-06-273
E	Panel lateral izquierdo	1	20-06-234	20-06-254	20-06-274
F	Panel lateral derecho	1	20-06-235	20-06-255	20-06-275
G	Panel interior	2	20-06-236	20-06-256	20-06-276
H	Puerta del mueble	2	20-06-237	20-06-257	20-06-277
J	Riel superior	1	20-06-238	20-06-258	20-06-278
K	Panel del faldón trasero	1	20-06-239	20-06-259	20-06-279
L	Panel del faldón frontal	1	20-06-240	20-06-260	20-06-280
M	Moldura superior	1	20-06-241	20-06-261	20-06-281
N	Panel trasero lateral	2	20-06-242	20-06-262	20-06-282
P	Moldura izquierda	1	20-06-243	20-06-263	20-06-283
Q	Moldura derecha	1	20-06-329	20-06-330	20-06-331
R	Repisa ajustable	2	20-06-244	20-06-264	20-06-284
S	Panel de soporte	1	20-06-245	20-06-265	20-06-285
T	Panel frontal izquierdo	1	20-06-246	20-06-266	20-06-286
U	Panel frontal derecho	1	20-06-247	20-06-267	20-06-287
V	Pata de soporte	2	20-06-248	20-06-268	20-06-288
W	Cámara de combustión	1	27-900-002		
X	Control remoto de la cámara de combustión	1	EF33510AS-15		
	Paquete de herrajes	1	20-09-552		
	Manual	1	20-10-268		

HOME DECORATORS COLLECTION

**¿Preguntas, problemas o partes faltantes? Antes de regresar a la tienda,
llame al servicio de atención al cliente de Home Decorators Collection**

8 a.m. - 7 p.m., Hora del Este de lunes a viernes, 9 a.m. - 6 p.m., Hora del Este de Sábado

1-800-986-3460

[HOMEDEPOT.COM/HOMEDECORATORS](https://www.homedepot.com/homedecorators)

Guarde este manual para futuras referencias.

Fabricado por: GHP Group, Inc. • 6440 W. Howard St. • Niles, IL 60714-3302

Impreso en China