



## Whynter 3.4 cu.ft. Energy Star Stainless Steel Compact Refrigerator/Freezer

Model # : MRF-340DS

### INSTRUCTION MANUAL



Congratulations on your new Whynter product. To ensure proper operation, please read this Instruction Manual carefully before using this product. Keep this manual in a safe place for future reference.

## Table of Contents

---

	<u>PAGE</u>
Safety Precautions	<b>3 - 4</b>
Parts	<b>5</b>
Product Features	<b>6</b>
Installation	<b>7 - 8</b>
Operation and Controls	<b>9 - 10</b>
Reversing the Door Position	<b>11</b>
Care and Maintenance	<b>12</b>
Troubleshooting	<b>13 - 14</b>
Warranty Information	<b>15</b>

---

## Safety Precautions

### WARNING

TO REDUCE THE RISK OF FIRE, ELECTRICAL SHOCK, OR INJURY WHEN USING YOUR APPLIANCE, FOLLOW THESE BASIC PRECAUTIONS:

- Read all instructions before using the appliance.
- Never clean appliance parts with flammable fluids. The fumes can create a fire hazard. Do not use an excessively wet cloth, industrial solvents, and oil-based products to clean this appliance.
- To clean the appliance, use only mild detergents. Never use harsh chemicals or solvents.
- Do not store or use gasoline or any other flammable vapors and liquids in the vicinity of this or any other appliance. The fumes can create a fire hazard.
- Do not abuse, sit on, or stand on the appliance.
- This appliance is not intended for use by persons (including children with reduced physical, sensory or mental capabilities, or lack of experience and knowledge, unless they have been given supervision or instruction concerning use of the appliance by a person responsible for their safety
- Children should be supervised to ensure that they do not play with the appliance.
- Ensure the appliance is unplugged before cleaning or if not in use
- If the power cord is damaged, it must be replaced by the manufacturer or its service agent or a similarly qualified person in order to avoid a hazard.
- Use the appliance only for its intended function. This appliance is designed for household, non-commercial use only. Any other use will void the warranty.
- Do not plug this appliance into the power source before setup is completed.
- An empty appliance can be dangerous for children and small animals. If disposing of the appliance, remove gaskets, latches, and the entire doors from your unused appliance so that children or small animals cannot be trapped inside.
- This is an electrical appliance. To avoid serious injury from electrical shock, do not operate the appliance with wet hands, while standing on a wet surface, or while standing in water.
- To avoid the risk of shock, the product should never be used in bathrooms, shower rooms, or in any other steamy or wet areas.
- During installation, the power supply must not be excessively or dangerously bent or flattened.
- Do not tamper with controls.
- Make sure the power plug is placed fully and firm into the power source. If the wall receptacle you intend to use is not adequately grounded or protected by a time delay fuse or circuit breaker, have a qualified electrician install an outlet that is appropriate to local electrical codes and requirements.
- Do not use multiple socket or an extension cord as it may overheat and become a risk of fire. Please ensure that the appliance is plugged directly into the electrical outlet.
- The cord should be secured behind the unit and should not be left exposed or dangling
- Make sure the power plug is clean before usage.
- Make sure hands are dry when connecting the power plug. The appliance is equipped with a three-prong grounded plug on the power cord for your protection. Never modify, remove or attempt to repair the power plug yourself.
- Never pull the power cord to disconnect the unit from an outlet. Grasp the plug directly and pull it from the outlet.
- Never lift or carry the appliance by the power cord.
- Keep the power cord away from heated surfaces.
- Do not repair, disassemble and/or modify the appliance by yourself.
- Always turn off the appliance when cleaning or transporting.

## Safety Precautions

- Transport the appliance in an upright position only.
- Always place the appliance on even and hard and level surface.
- Close the appliance doors immediately after putting in any items to maintain the internal temperature of the unit.
- Avoid placing the appliance near external heat sources or direct sunlight.
- Make sure the appliance is placed on a flat, level, and solid surface.
- Place your appliance on a hard and level floor that is strong enough to support it when it is fully loaded.
- Do not turn the appliance upside down, on its side, or 45° or more off level.
- Keep fingers out of the “pinch point” areas; clearances between the doors and cabinet are necessarily small. Be careful closing doors when children are in the area
- Do not touch the cold surfaces in the freezer compartment when hands are damp or wet, skin may stick to these extremely cold surfaces
- Do not move this appliance without securing the doors in a closed and latched position.
- Do not refreeze frozen foods which have thawed completely
- Performance may vary based on operational and ambient conditions.

### **ELECTRICAL CONNECTION**

The power cord of this appliance is equipped with a 3-prong (grounding) plug which mates with a standard 3-prong (grounding) wall outlet to minimize the possibility of electric shock hazard from this appliance. Have the wall outlet and circuit checked by a qualified electrician to make sure the outlet is properly grounded. Where a standard 2-prong wall outlet is encountered, it is your personal responsibility and obligation to have it replaced with a properly grounded 3-prong wall outlet. Do not use an adapter. The appliance should always be plugged into its own individual electrical outlet which has a voltage rating that matches the rating plate.

A 115 Volt AC, 60 Hz, 15- or 20-amp fused, grounded electrical supply is required. This provides the best performance and also prevents overloading house wiring circuits which could cause a fire hazard from overheated wires. Never unplug your appliance by pulling on the power cord. Always grip plug firmly and pull straight out from the outlet. Repair or replace immediately all power cords that have become frayed or otherwise damaged. Do not use a cord that shows cracks or abrasion damage along its length or at either end. When moving the appliance away from the wall, be careful not to roll over or damage the power cord

### **EXTENSION CORD**

Because of potential safety hazards, it is strongly recommended that you do not use an extension cord with this appliance. However, if you must use an extension cord, it is absolutely necessary that it be a UL/CUL-Listed, 3-wire grounding type appliance extension cord having a grounding type plug and outlet and that the electrical rating of the cord be 15 amperes and 115 volts. Failure to follow these instructions can result in fire, electric shock, or death.

***THE MANUFACTURER DISCLAIMS ANY RESPONSIBILITY IF THE ABOVE INSTRUCTIONS ARE NOT FOLLOWED.***

## Parts



Item	Description
1	Freezer Compartment
2	Freezer Door
3	Freezer Rack
4	Temperature Control and Light
5	Refrigerator Rack
6	Glass Shelves (2)
7	Refrigerator Door
8	Can Storage
9	Crisper Drawer
10	Bottle/Carton Storage
11	Leveling Legs (2)

NOTE: A drip tray is installed on top of the compressor which can be located at the back of the unit. This tray will catch all the condensation collected by the unit.

## Product Features

Perfect for workplace break rooms, dorm rooms, or an additional refrigerator for your entertainment space, the Whynter 3.4 cu.ft. Energy Star Stainless Steel Compact Refrigerator/Freezer can store both fresh or frozen food and beverages. This space-saving compact refrigerator/freezer is designed with a flat back, allowing it to fit cleanly against the wall or into corners. It comes with added enhancements such as a bottle and can storage compartment on door, low noise level, and adjustable thermostat.

- Total Storage Volume : 3.4 cu. ft.
  - Freezer Volume: 1.0 cu. ft.
  - Refrigerator Volume: 2.4 cu. ft.
- Recessed handle provides a flush finish with the door
- Mechanical temperature control
- Soft interior lighting
- Clear view vegetable crisper
- 2-liter bottle storage on refrigerator door
- Canned beverage storage on refrigerator door
- Two removable flat slide out glass shelves
- Freestanding setup (clearance around the unit is needed)
- Manual Defrost
- Reversible Doors
- Powerful compressor cooling

## TECHNICAL DATA

<b>MODEL :</b>	<b>MRF-340DS</b>
Capacity	3.4 cu. ft.
Voltage	115V/60Hz
Current	0.9A
Input Power	62W
Refrigerant	R134A
Temperature Range	Freezer: -11°F - 5°F Refrigerator: 32°F - 50°F
Freezer Internal Dimensions	16" W X 15" D X 9" H
Refrigerator Internal Dimensions	16" W X 18" D x 19" H
Unit Dimensions	19" W X 23" D X 33" H
Packaging Dimensions	21" W X 25" D X 35" H
Net Weight	61 lbs
Gross Weight	68 lbs



### **Excessive Weight Hazard**

Two or more people should move and install the appliance. Failure to do so can result in back or other injury.

### **REMOVE PACKAGING MATERIALS**

IMPORTANT: Do not remove any permanent instruction labels or the data label on your appliance

### **REMOVE TAPE AND GLUE FROM YOUR APPLIANCE BEFORE USING**

- To remove any remaining tape or glue, rub the area briskly with your thumb. Tape or glue residue can also be easily removed by rubbing a small amount of liquid dish soap over the adhesive with your fingers. Wipe with warm water and dry.
- Do not use sharp instruments, rubbing alcohol, flammable fluids, or abrasive cleaners to remove tape or glue. These products can damage the surface of your appliance.

### **CLEANING BEFORE USE**

- After you remove all of the packaging materials, clean the inside of your appliance before using it.

---

### **INSTALLATION CLEARANCES**

Your appliance should be conveniently located for day-to-day use in a dry, well-ventilated room. Do not install the appliance where the temperature will go below 50°F or above 90°F, because it will not maintain proper temperatures. Be sure to install your appliance on a floor strong enough to support it when it is fully loaded.

### **FREESTANDING INSTALLATION**

A freestanding installation will allow you to install the appliance in any place you desire provided that the required clearance space around the appliance is respected. In every setting, there must be adequate ventilation and access for service. Never install or operate the unit in an enclosed area, such as a closed cabinet.

- Before connecting the appliance to the power source, let it stand upright for approximately 4 hours. This will reduce the possibility of a malfunction in the cooling system from handling during transportation.
- The normal operation of the appliance depends on heat radiation from the condenser. Allow at least 6 inches of space between the back and sides of the appliance, which allows the proper air circulation to cool the compressor and condenser. The installation should allow the appliance to be pulled forward for servicing if necessary.
- This unit **MUST** be installed in an area protected from the elements, e.g., wind, rain, water spray or drips. Do **NOT** use the appliance in outdoor setting.
- The appliance should not be located next to ovens, grills or other high heat resources.
- Too much humidity in the air will cause frost to form quickly on the evaporator requiring more frequent defrosting of the appliance.
- Avoid locating the appliance in area that may be exposed to excessive moisture.
- The appliance must be installed with all electrical requirements followed.
- The unit should be located on a hard and level surface that can support the unit when it is full. It is important for the appliance to be level in order to work properly. If needed, you can adjust the height of the appliance by turning the feet. See the “Leveling the Appliance” section.

## Installation

- A standard electrical supply (115 VAC only, 60 Hz, 10A), properly grounded in accordance with National Electrical Code and local codes and ordinances is required.
- IMPORTANT: Do not kink or pinch the power supply cord between the appliance and wall or cabinet.

### **MOVEMENT OF YOUR APPLIANCE**

- Position the appliance in a dry and well-ventilated place. Keep the appliance away from direct sunlight, heaters, and corrosive gases or chemicals.
- Clean the interior surface with lukewarm water using a soft cloth.
- Place your appliance on a hard and level floor that is strong enough to support it when it is fully loaded.
- The appliance can be simply moved from one room to another by using the pre-installed wheel rollers. If the appliance is needed to be lifted, two or more people should move appliance. Failure to do so can result in back or other injury.
- We do not recommend installing the appliance on carpet.

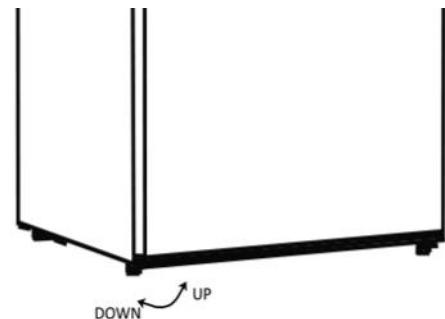
### **LEVELING THE APPLIANCE**

It is important for the appliance to be leveled in order to work properly. It can be raised or lowered by turning the two feet on the bottom of the machine. If the appliance is not leveled during installation. The doors may not close or seal properly, causing cooling, frost, or moisture problems. It is very important that the appliance is at level in order to function properly.

NOTE: This appliance comes with 2 leveling legs

We recommend using a carpenter's level to check the machine.

1. Place a carpenter's level on top of the product to see if the appliance is level from front to back and side to side.
2. Adjust the height of the feet as follows:
  - Turn the leveling feet to the right to lower that side of the appliance
  - Turn the leveling feet to the left to raise that side of the appliance





## Operation and Controls

### **TEMPERATURE CONTROL**

To obtain the best possible results for your appliance, it is important that you operate it properly. This appliance uses a mechanical thermostat control knob which can be located at the inside cabinet of the appliance. The temperature control knob is marked with the settings OFF-MIN-MED-MAX in order of increasing coldness. When the unit is set to "OFF", the appliance stops running.

*Note: Let the appliance to cool down completely. It is best to wait for 24 hours before adding items.*



### **CHANGING THE LIGHT BULB**

To change the light bulb, make sure to unplug the appliance or disconnect unit from power supply before removing the bulb. Replace the bulb with a 10-watt appliance bulb. Please note that not all bulbs will fit your appliance. Be sure to replace the bulb with one of the same size and shape. Plug in or reconnect the appliance to power supply after bulb replacement.

### **POWER INTERRUPTIONS**

If the electricity goes off for a short period, keep both doors closed to help food stay cold and frozen. If the power will be out for a longer period of time, remove food from the appliance and store it in a frozen food locker.

### **FRESH FOOD STORAGE**

- Wrap or store food in the refrigerator in airtight and moisture - proof material. This prevents food odor and taste transfer throughout refrigerator
- Fruit - wash, dry and store in refrigerator in plastic bags or crisper
- Leafy vegetables - remove wrapping and trim or tear off bruised and discolored areas then wash in cold water and drain. Place in plastic bag or plastic container and store in crisper
- Fish – use fresh fish the same day as purchased
- Meat – store most meat in original wrapping as long as it is airtight and moisture – proof
- Leftovers – cover leftovers with plastic wrap or aluminum foil. Plastic containers with tight-seal lid can also be used.

### **FROZEN FOOD STORAGE**

The freezer compartment is designed for storing frozen food and for freezing food at home. Successful freezing depends on the correct packaging. When you close and seal the package you must not allow air or moisture in or out. If you do, you could have food odor and taste transfer throughout the refrigerator, and will also cause frozen food to dry out.

*Note: Never put bottled food or drinks in the freezer compartment.*

For best performance, leave enough space in the freezer and refrigerator compartment for air to circulate around the packages. Also let enough room at the front so the door can close tightly.

### **DEFROSTING**

Under most ambient conditions, the appliance does not need to be defrosted. In cold ambient temperatures and/or high humidity, some frost may build up. To defrost the appliance, set the thermostat knob to "OFF", remove frozen or perishable items and defrosting should occur in a few hours. After defrosting, return the thermostat dial to the desired position. For faster defrosting, remove all items from the appliance, unplug the appliance and leave the door open. Never use a knife or other metal instrument to scrape ice/frost from the evaporator.

## Operation and Controls

- Remove all food, ice cube tray and shelf or transfer to refrigerating compartment.
- Clean and wipe out the melted frost with a cloth.
- After defrosting, turn thermostat knob to origin position.

*Note: To avoid damaging the freezing compartment wall, do not use any sharp objects to remove the frost or separate the frozen food.*

### **NORMAL SOUNDS**

The unit is cooled by a compressor. The compressor pumps coolant through the cooling system, producing operating noise. Even when the compressor cuts out, noises caused by changes in temperature and pressure are unavoidable. Operating noise will be most audible immediately after the compressor comes on. It becomes quieter as the operating period continues.

The following noises are normal and occur from time to time:

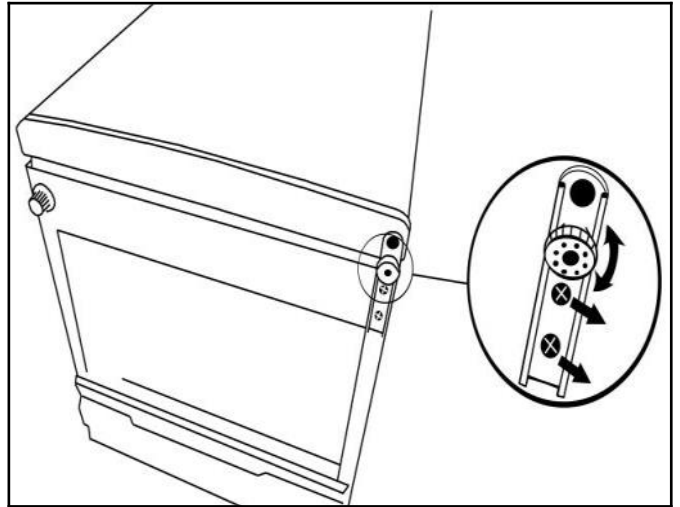
- Gurgling sound, caused by the refrigerant flowing through the appliance's coils
- Humming noise made by the compressor. This noise can get louder for brief periods when the motor is switching on.
- Cracking/popping sounds, resulting from the materials contraction and expansion due to temperature variations.
- Fan operating sound, to circulate the air within the refrigerator compartment.
- Unusual noise is normally the result of improper installation.
- Where the unit is installed in open-plan kitchen or in partition walls, the level of operating noise will be heard more acutely. However, this is due to the surrounding architecture and not to the unit.

*NOTE: An individual's perception of noise is directly linked to the environment in which the unit is located, as well the specific type of models. Our appliances are in line with international standards for such appliance and in line with the latest technical developments. Please remember that the noise of the compressor and the cool-ant circulating in the system is unavoidable*

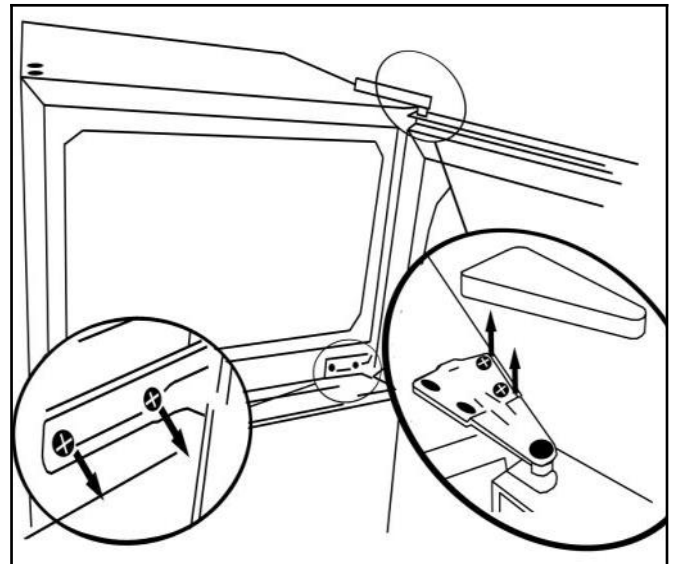
## Reversing the Door Position

**Caution:** To avoid injury to yourself and/or property, we recommend someone assist you during the door reversal process.

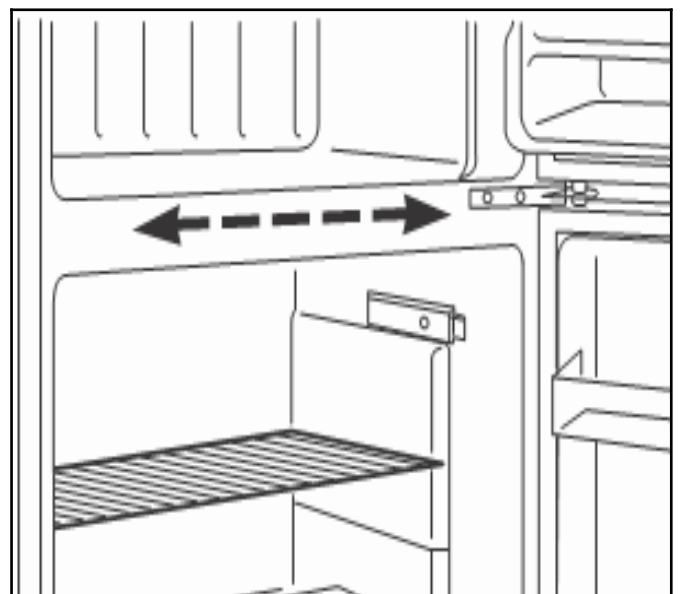
1. To access the lower hinge assembly, tilt back or lay the appliance on its back
2. Remove both legs located at the front of the cabinet: adjustable left on hinge side and fixed leg on opposite side.
3. Remove the screws holding the lower hinge assembly to the cabinet
4. Remove the main door assembly from the refrigerator cabinet by opening the door and pulling down.



5. Remove the screws from the middle hinge assembly. Then remove the hinge and freezer door.
6. Remove the top cover, hinge, and screws
7. Re-install the top hinge pin on the opposite side of the cabinet
8. Remove the door plugs and door bushing located on the top and bottom of each door assembly
9. Interchange positions of plugs and bushings on both doors
10. Re-install door assembly on cabinet



11. Re-install the middle hinge assembly on the opposite side.
12. Make sure the door assembly is properly aligned on the cabinet, before tightening hinge screws
13. Re-install the main door assembly on cabinet
14. Re-install the lower hinge assembly on the opposite side
15. Make sure to change bushing and screw on opposite sides on bottom of unit
16. Make sure the door assembly is properly aligned on the cabinet, before tightening lower hinge screws
17. Re-install both legs (reversed from the original positions: adjustable leg on hinge and fixed leg on opposite side).



## Care and Maintenance

**CAUTION: Failure to unplug the appliance during service could result in electrical shock or personal injury.**

### CLEANING YOUR APPLIANCE

- Turn off the power, unplug the appliance, and remove all items including glass shelves and crisper drawer.
- Wipe the interior with a warm water and baking soda solution. The solution should be about 2 tablespoons of baking soda to one quart of water.
- Wipe the shelves with a mild detergent solution.
- Wipe the outside cabinet with warm water and mild liquid detergent.
- Do not use steel wool or steel brush on the stainless steel. These will erode the stainless steel and rusting may occur.



**CAUTION: Failure to unplug the appliance could result in electric shock or personal injury**

### PREMISES POWER FAILURE

- In the event of a power interruption, all previous temperature settings are automatically memorized. If power is interrupted (power surge, breaker switch, etc.) and then powered up again, the unit will operate with the last temperature set-point.
- Most power failures are corrected within a few hours and should not affect the temperature of your appliance if you minimize the number of times the door is opened. If the power is going to be off for a longer period of time, you need to take the proper steps to protect your contents.

### VACATION TIME

- Short vacations: Leave the appliance operating during vacations of less than two days
- Long vacations: If the appliance will not be used for an extended period, remove all items and turn off the appliance. Clean and dry the interior thoroughly.

### MOVING YOUR APPLIANCE

- Remove all items inside the appliance.
- Securely tape down (we recommend using painter's tape) all loose items (shelves) inside your appliance.
- Turn the adjustable leg up to the base to avoid damage.
- Tape (we recommend using painter's tape) the door shut.
- Be sure the appliance stays secure in the upright position during transportation and protect the exterior of appliance with a blanket, or similar item.

### ENERGY SAVING TIPS

- The appliance should be located in the coolest area of the room, away from heat producing appliances, and out of any direct sunlight.
- Ensure that the appliance is adequately ventilated. Never obstruct the air vents.
- Close the door tightly and do not open the appliance too frequently or for a long period of time.
- Store the content in an organized way
- Do not over-fill the appliance to allow air to circulate

## Troubleshooting

Problem	Possible Causes	Solutions
The appliance does not operate	<ul style="list-style-type: none"> <li>• There is a power failure</li> <li>• The appliance is not plugged in</li> <li>• A house fuse has blown or the circuit breaker is tripped</li> </ul>	<ul style="list-style-type: none"> <li>• Ensure the appliance is plugged in and the power outlet has power</li> <li>• Replace the broken fuse or reset the breaker</li> </ul>
The appliance is not cold enough	<ul style="list-style-type: none"> <li>• The set temperature too high</li> <li>• The appliance is placed too close to a heat source</li> <li>• The door is opened too often</li> <li>• The door is not closed completely</li> <li>• The door gasket does not seal properly</li> <li>• The front bottom grille does not have sufficient ventilation</li> </ul>	<ul style="list-style-type: none"> <li>• Adjust the set temperature</li> <li>• Keep the appliance away from sunshine or other heat sources</li> <li>• Close the door tightly and do not open the door too frequently or for a long period of time</li> <li>• Ensure the door gasket is not loose. The front bottom grille must be completely unobstructed</li> </ul>
The appliance turns itself on and off frequently	<ul style="list-style-type: none"> <li>• The ambient (room) temperature is too low or high</li> <li>• A large amount of contents has been added to the appliance</li> <li>• The door is opened too often</li> <li>• The door is not closed completely</li> <li>• The door gasket does not seal properly</li> </ul>	<ul style="list-style-type: none"> <li>• Decrease or increase the ambient (room) temperature</li> <li>• To minimize internal temperature fluctuation, do not add large amount of contents at once</li> <li>• Close the door tightly and do not open the door too frequently or for a long period of time</li> <li>• Ensure the door gasket is not loose</li> </ul>
The appliance makes too much noise	<ul style="list-style-type: none"> <li>• The noise may come from the flow of the refrigerant and expansion of the inside walls may cause popping and crackling noises</li> <li>• Contraction and expansion of the inside walls may cause popping and crackling noises</li> <li>• The appliance is not level</li> </ul>	<ul style="list-style-type: none"> <li>• It is normal that as each cooling cycle ends, you may hear rattling or gurgling sounds caused by the flow of refrigerant in the appliance. The high efficiency compressor may make a pulsating or high pitched sound</li> <li>• Some popping or cracking noises are normal. They are caused by expansion and contraction of the inside walls due to temperature changes</li> <li>• Make sure the unit is on a hard and level surface. Do not place the appliance on carpet</li> <li>• See Operating Noises</li> </ul>
The door does not close properly	<ul style="list-style-type: none"> <li>• The appliance is not level</li> <li>• The door was reversed and not properly installed</li> <li>• The shelves are out of position</li> </ul>	<ul style="list-style-type: none"> <li>• Make sure the beverage refrigerator is on a hard and level surface. Avoid placing the appliance on a carpeted or soft surface</li> <li>• Correctly install the shelves</li> </ul>

## Troubleshooting

Problem	Possible Causes	Solutions
Display "E0", "E1", "E2", "E3", "E4", "E5" or "E7"	<ul style="list-style-type: none"> <li>• "E0" indicates the communication error</li> <li>• "E1" or "E2" indicates that the air temperature sensor is failed</li> <li>• "E3" or "E4" indicates that the defrost sensor in the evaporator is failed</li> <li>• E5" indicates the defrost heater failure</li> <li>• E7" indicates the door switch failure</li> </ul>	<ul style="list-style-type: none"> <li>• Call for service</li> </ul>
The icon "--" is lit up and flashing in the temperature display	<ul style="list-style-type: none"> <li>• The display temperature is out of the range</li> </ul>	<ul style="list-style-type: none"> <li>• Only temperatures within the range 16~99°F/-9~37°C the appliance can display will be shown. If the temperature is not within this range, the icon "--" will be displayed instead. That is normal</li> </ul>

## **ONE YEAR LIMITED WARRANTY**

This Whynter 3.4 cu.ft. Energy Star Stainless Steel Compact Refrigerator/Freezer is warranted, to the original owner within the 48 continental states, for one year from the date of purchase against defects in material and workmanship under normal use and service. When making a warranty claim, please have the original bill or invoice of purchase with purchase date available. Should your Whynter 3.4 cu.ft. Energy Star Stainless Steel Compact Refrigerator/Freezer prove defective within one year from the date of purchase, return the defective part or unit, freight prepaid (within two months of purchase; after two months to one year, customer will be responsible for freight cost to Whynter's service department), along with an explanation of the claim to Whynter LLC. A return authorization number issued by Whynter is required for all warranty claims and returns. Please package the Whynter 3.4 cu.ft. Energy Star Stainless Steel Compact Refrigerator/Freezer carefully in its original packaging material to avoid damage in transit. The original box and packaging material should be retained, as Whynter is not responsible for the cost of replacement packaging. Under this warranty, Whynter will repair or replace any parts found defective at our discretion. This warranty is not transferable. After the expiration of the warranty, the cost of labor and parts will be the responsibility of the original owner of the unit.

### **THIS WARRANTY DOES NOT COVER:**

- Acts of God, such as fire, flood, hurricanes, earthquakes and tornadoes.
- Improper power supply such as power surge, low voltage, defective household wiring or inadequate fuses.
- Use in commercial or industrial applications
- Damage, accidental or otherwise, to the Whynter 3.4 cu.ft. Energy Star Stainless Steel Compact Refrigerator/Freezer while in the possession of a consumer not caused by a defect in material or workmanship;
- Damage caused by consumer misuse, tampering, or failure to follow the care and special handling provisions in the instructions.
- Damage to the finish of the case, or other appearance parts caused by wear.
- Damage caused by repairs or alterations to the product by anyone other than authorized by the manufacturer.
- Removal, Replacement Packaging, Freight and Insurance cost for the warranty service.

### ***DISCLAIMER OF IMPLIED WARRANTIES; LIMITATION OF REMEDIES***

*CUSTOMER'S SOLE AND EXCLUSIVE REMEDY UNDER THIS LIMITED WARRANTY SHALL BE PRODUCT REPAIR OR REPLACEMENT AS PROVIDED HEREIN. CLAIMS BASED ON IMPLIED WARRANTIES, INCLUDING WARRANTIES OF MERCHANTABILITY OR FITNESS FOR A PARTICULAR PURPOSE, ARE LIMITED TO ONE YEAR OR THE SHORTEST PERIOD ALLOWED BY LAW, BUT NOT LESS THAN ONE YEAR. WHYNTER SHALL NOT BE LIABLE FOR CONSEQUENTIAL OR INCIDENTAL DAMAGES SUCH AS PROPERTY DAMAGE AND INCIDENTAL EXPENSES RESULTING FROM ANY BREACH OF THIS WRITTEN LIMITED WARRANTY OR ANY IMPLIED WARRANTY. SOME STATES AND PROVINCES DO NOT ALLOW THE EXCLUSION OR LIMITATION OF INCIDENTAL OR CONSEQUENTIAL DAMAGES, OR LIMITATIONS ON THE DURATION OF IMPLIED WARRANTIES, SO THESE LIMITATIONS OR EXCLUSIONS MAY NOT APPLY TO YOU. THIS WRITTEN WARRANTY GIVES YOU SPECIFIC LEGAL RIGHTS. YOU MAY ALSO HAVE OTHER RIGHTS THAT VARY FROM STATE TO STATE.*

**Please retain the original proof of purchase in order to obtain warranty services.  
Warranty begins from the original date of purchase.**

To obtain service or information, contact  
Whynter LLC via email at [support@whynter.com](mailto:support@whynter.com) or call  
866-WHYNTER.

Product contents and specifications may change without notice. Please visit our website for the most up to date information.

Copyright © 2016 Whynter LLC  
[WWW.WHYNTER.COM](http://WWW.WHYNTER.COM)