



2 Solid Door Reach-In Refrigerator ♦ NP2R



Standard Features

- ♦ Stainless steel series 430 exterior
- ♦ Stainless steel series 304 interior
- ♦ Stucco aluminum back panel
- ♦ Self closing hinged doors with 90 degree stay open feature
- ♦ Bottom mounted compressor
- ♦ Optional 3-inch legs
- ♦ LED digital temperature display
- ♦ PVC coated adjustable wire shelves
- ♦ Interior lighting
- ♦ Self contained system, simple plug installation
- ♦ Heavy-duty castor wheels

Technical Specifications

Product Classification	Refrigerator
Climate Class	N
Power	1081W
Number of Doors	2
External Cabinet Material	430 Stainless Steel
Internal Cabinet Material	304 Stainless Steel
Type of Refrigeration Agent	R-134A
Type of Temperature Control	Digital
Temperature Range °C	0°C to 5°C
Temperature Range °F	32°F to 41°F
Voltage / Frequency	115V / 60Hz
Amp	9.4
Compressor HP	1/2+ HP
Type of Insulation	2.5-Inch Polyurethane Foam
Door Handle	Full Length

Certified Safety Standard

- ♦ ETL Listed
- ♦ ETL Sanitation Listed



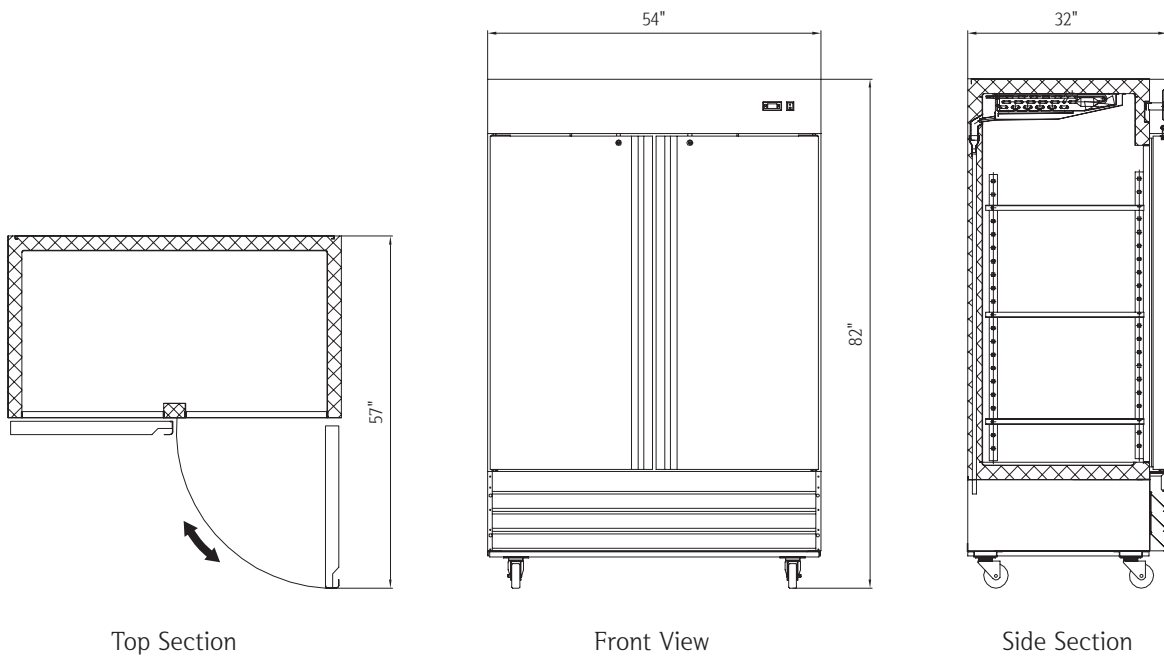
Warranty Information

- ♦ 5 Years Compressor
- ♦ 3 Year Parts & Labor





2 Solid Door Reach-In Refrigerator ♦ NP2R



Plug Type: (NEMA) 5-15P

Capacity

Capacity 48 cu. ft.

Dimensions

Internal Cabinet Width 49 in
 Internal Cabinet Depth 27 in
 Internal Cabinet Height 60 in
 External Width 54 in
 External Depth 32 in
 External Height 82 in
 Shipping Dimensions (W x D x H) 57 x 34 x 84 in

Weight

Gross Weight 513 lbs.

Accessories

Frost Free Yes
 Adjustable Shelves 6
 Fixed Shelves No
 Internal Light Yes
 Internal Light Switch No
 External Light Switch No
 Self Closing Door/Lid Yes
 Door Holder for Loading Yes
 Door/Lid Lock Yes
 Reversible (Left) Door Yes
 Adjustable Feet Optional
 Adjustable Thermostat Yes