

automatically switches off 5 seconds after it is initially plugged in or after a power glitch.

USING THE CONTROLLER WITH A "UNIVERSAL REMOTE CONTROL"

Universal handheld remote controls are popular as they can typically control a TV, a VCR, a cable box and audio components. They are also cheap and ideal replacements for lost and broken units. The rotator controller will respond to commands from universal remote controls configured to control most Pioneer® brand cable converter boxes (HH1 mode) or most Pioneer® brand CD players (HH2 mode). See **Appendix A**. Refer to the instructions supplied with the universal remote control.

NOTES: Channel Master cannot guarantee universal handheld remote control compatibility.

APPENDIX A (Front Panel Setup Summary)

SET 60 Hz POWER	▲+ ▼	AT POWER UP
SET 50 Hz POWER	▲+ ▼+ SY	AT POWER UP
SET REMOTE HH1	▲+ SY	AT POWER UP
SET REMOTE HH2	▼+ SY	AT POWER UP

Example: To set for 60 Hz power:

- Disconnect the power connector at the rear of the unit.
- Press and hold **UP** and **DOWN** in together.
- Reconnect the power connector at the rear end of the unit.
- Release **UP** and **DOWN**

Other functions are set in a similar manner using the following buttons at b and d: 50Hz POWER: **UP**, **DOWN**, and **SYNC** Remote handheld 1 (supplied unit and most Pioneer® cable boxes): **UP** and **SYNC** Remote handheld 2 (most Pioneer® CD players): **DOWN** and **SYNC**. Check settings are correct by removing power for a few seconds, then reconnect power. Display will indicate:

50H (or 50H for 50 Hz)

HH1 (or HH2 for alternate remote)

APPENDIX B (Handheld Remote Control Command Summary)

SYNC:	00 ▼
PROGRAM:	#▲# (# = 01-69)
DISPLAY MEMORIES/STATUS:	99 ▲
AUTOSYNC ON/RESET TO 50:	98 ▲
AUTOSYNC OFF:	98 ▼
TIMEOUT (8 MINUTES) ON:	97 ▲
TIMEOUT OFF:	97 ▼
DELETE MEMORIES/RESET:	91 ▼

APPENDIX C (Common Problems)

HANDHELD CONTROL DOES NOT FUNCTION

Battery bad or set for wrong handheld type (See **Appendix A**).

UNIVERSAL HANDHELD DOES NOT OPERATE CERTAIN FUNCTIONS (eg. **UP/DOWN**) If supplied remote control is OK, try all available Pioneer® cable box and Pioneer® CD player codes. Universal remote may not be fully compatible.

UNIT DOES NOT TRACK CORRECTLY

Check power frequency 50/60 Hz setting (See **Appendix A**).

POSITION ACCURACY SEEMS DEGRADED

Perform **SYNC** function.

ANTENNA DOES NOT MOVE, BUT CONTROLLER

INDICATES MOVEMENT

Check the wiring between the controller and the drive unit.

APPENDIX D (Using the rotator from any room in the house)

The following methods are products are suggested though not endorsed by Channel Master.

- A UHF universal remote with a UHF to Infra-red converter in the same room as Model CM-9537 or:
- An infra-red to UHF converter in each room where operation is desired, plus a UHF to infra-red converter in the same room as Model CM-9537.

the exception of any product requested by Technical Support to be accessed for quality assurance purposes. **Technical Service Phone:** +1.877.746.7261 * Some products have extended term warranty periods. **WARRANTY:** Effective Immediately **GENERAL TERMS:** 1.1 Subject to the provisions of this Warranty, CHANNEL MASTER warrants that the equipment and software described in Paragraph 1.2 will conform to our specifications in all material respect and that the equipment will be free from material defects in materials and workmanship during the Limited Warranty period. 1.2 This Warranty applies to all original purchases by Customers of CHANNEL MASTER ("Equipment"). The warranties set forth herein are not transferable. 1.3 The Effective period of this Warranty will start on the date of purchase of the Equipment or the date of installation by a CHANNEL MASTER approved technician and will end, for the Equipment, ninety (90) days later (for all component parts and system upgrades), unless otherwise expressed or provided herein (in each case the "Warranty Period"). **RETURN OF EQUIPMENT UNDER WARRANTY:** 2.1 If an item of Equipment malfunctions or fails in normal use within the applicable Warranty Period: (a) the Customer shall notify CHANNEL MASTER within thirty (30) days of the problem. (b) CHANNEL MASTER will, at its option, either resolve the problem over the telephone or provide the customer with a Return Authorization ("RMA") Number and the address to which the customer may ship the defective item; (c) If the problem can not be resolved over the telephone, the Customer shall attach a label showing the RMA number to each returned item, and include a description of the problem. The Customer shall, at his or her own cost, properly pack the item to be returned, mark the RMA# on the outside of the box, prepay the insurance and shipping charges, and ship the item to the specified CHANNEL MASTER location. (d) Unauthorized return of any equipment, whether in or out of warranty, will be subject to a handling charge, in addition to all repair and all transportation charges. (e) CHANNEL MASTER will, at its sole option, repair or replace the returned item. If replaced, the replacement item may be new or refurbished; if refurbished it will be equivalent in operation to new Equipment. If a returned item is replaced by CHANNEL MASTER, the Customer agrees that the returned item will become the property of CHANNEL MASTER. (f) CHANNEL MASTER will complete the exchange of CHANNEL MASTER manufactured equipment returned under this Warranty within a reasonable time, subject to lead-times from factory, and will make a good faith effort to minimize any and all delays where possible; and (g) CHANNEL MASTER will, at its cost, ship the repaired item or replacement to the Customer. If the Customer requests express shipping, the Customer will pay CHANNEL MASTER an expediting fee. 2.2 Equipment which is repaired or replaced by CHANNEL MASTER under this Warranty will be covered under all of the provisions of this Warranty for the remainder of the applicable Warranty period (for that particular equipment) from the date of repair or replacement, whichever is longer. 2.3 If equipment is repaired beyond effective warranty dates or if abnormal usage had occurred, Customer shall be charged applicable rates and the Customer will be advised of the estimated charges prior to repair by CHANNEL MASTER's authorized service center. 2.4 The price of out-of-warranty repairs payable by the Customer will be based on standard labor and parts prices in effect at the time of the repair. CHANNEL MASTER will use its best efforts to ensure that the cost of such repair, exchange, refurbishing, or substitution will not exceed the original price of Product. 2.5 If the problem reoccurs within the warranty period, CHANNEL MASTER will, at its option: (1) re-perform the service; (2) replace the product pursuant to the terms of this warranty; (3) permit Customer to return the product and issue a refund pursuant to this warrant, or (4) refund the amount the Customer paid for the services. **PRODUCT MODIFICATION:** 4.1 CHANNEL MASTER reserves the right to make changes or improvements to its products, during subsequent production, without incurring the obligation to install such changes or improvements on previously manufactured or sold products. **FORCE MAJEURE:** 5.1 CHANNEL MASTER will not be liable if its performance under this warranty becomes commercially impracticable due to any contingency beyond CHANNEL MASTER's reasonable control, including acts of God, fires, flood, wars, sabotage, civil unrest, accidents, labor disputes or shortages, government laws, rules and regulations, whether valid or invalid, inability to obtain material, equipment or transportation, incorrect, delayed or incomplete specifications, drawings or data supplied by Customer (collectively "Force Majeure"). **LIMITATIONS AND QUALIFICATIONS OF WARRANTY:** 6.1 This Limited Warranty extends only to the original purchaser of the Equipment and is in lieu of all other express or implied warranties, including those of merchantability and fitness for a particular purpose. This Warranty does not apply to any damage, defect of failure caused by: (a) any part of the equipment having been modified, adapted, repaired, maintained, transported or relocated by any person; (b) Storage or environmental characteristics which do not conform to the applicable sections of the appropriate Equipment Manual or Instruction Sheet; (c) Failure to conform with the Equipment Operating Instructions in the applicable Equipment Manual or Instruction Sheet; (d) External causes, including external electrical stress or lightning, or use in conjunction with incompatible equipment, unless such use was with CHANNEL MASTER's prior written request; (e) Cosmetic damage; (f) Accidental damage, negligence, modification, mishandling, abuse or misuse; or (g) Force Majeure. **LIMITATION ON DAMAGES:** 7.1 THIS WARRANTY IS THE CUSTOMER'S EXCLUSIVE WARRANTY FOR THE EQUIPMENT, CHANNEL MASTER SPECIFICALLY DISCLAIMS ALL OTHER WARRANTIES OF ANY KIND, EXPRESS OR IMPLIED, INCLUDING ANY WARRANTIES OF FITNESS FOR A PARTICULAR PURPOSE AND OF MERCHANTABILITY. 7.2 CHANNEL MASTER WILL NOT BE LIABLE IN TORT, INCLUDING LIABILITY IN NEGLIGENCE OR STRICT LIABILITY, AND WILL HAVE NO LIABILITY AT ALL FOR INJURY TO PERSONS OR PROPERTY, CHANNEL MASTER'S LIABILITY FOR FAILURE TO FULFILL ITS OBLIGATIONS UNDER THIS WARRANTY OR ANY OTHER LIABILITY UNDER OR IN CONNECTION WITH THE EQUIPMENT WILL BE LIMITED TO THE AMOUNT OF THE PURCHASE PRICE OF THE EQUIPMENT AT THE TIME OF ORIGINAL PURCHASE. THE REMEDIES STATED IN THIS WARRANTY ARE THE CUSTOMER'S EXCLUSIVE REMEDIES AGAINST CHANNEL MASTER REGARDING THE EQUIPMENT. 7.3 EVEN IF CHANNEL MASTER HAS BEEN NOTIFIED OF THE POSSIBILITY OF THEM, CHANNEL MASTER WILL NOT BE LIABLE FOR ANY INDIRECT, INCIDENTAL, SPECIAL OR CONSEQUENTIAL DAMAGES, INCLUDING LOST PROFITS AND REVENUES, FAILURE TO REALIZE EXPECTED SAVINGS, ANY CLAIM AGAINST A CUSTOMER BY A THIRD PARTY, OR ANY OTHER COMMERCIAL OR ECONOMIC LOSSES OF ANY KIND. 7.4 THESE LIMITATIONS AND DISCLAIMERS ARE NOT MADE BY CHANNEL MASTER WHERE PROHIBITED BY LAW.

Models CM-9521A and 9537 Instruction Sheet

Channel Master®

CAUTION: Read and Adhere to all **IMPORTANT SAFEGUARDS** listed elsewhere in this booklet. Read and observe safety, installation and operating instructions supplied with this unit and with your antenna **BEFORE** installation or operation. Retain this booklet and all instructions for your safety and future reference.

IMPORTANT SAFEGUARDS

Your antenna rotator unit, consisting of a control and a drive, has been engineered and manufactured to assure your personal safety, but improper installation or abuse of the unit, or the antenna connected to it, can result in potential electrical shock or fire hazards. In order not to defeat the safeguards incorporated in this unit, observe the following basic rules for its installation, use and servicing.

1. Read Instructions

All the safety and operating instructions should be read before the product is operated.

2. Retain Instructions

The safety and operating instructions should be retained for future reference.

3. Heed Warnings

All warnings on the product and in the operating instructions should be adhered to.

4. Follow Instructions

All operating instructions should be followed.

5. Power Lines

An outside antenna system should not be located in the vicinity of power lines or other electric light or power circuits, or where it can fall into such power lines or circuits. When installing an outside antenna system, extreme care should be taken to keep from touching such power lines or circuits as contact with them might be fatal.

6. Outdoor Antenna Grounding

If the drive unit is installed on an outdoor antenna, be sure the antenna system is grounded so as to provide some protection against voltage surges and built-up static charges. Section 810 of the National Electrical Code, ANS/NFPA70, or CSA C22.1 Sections 10, 16, and 54, of the Canadian Electrical Code, provides information with respect to proper grounding of the mast and supporting structure, grounding of the antenna lead-in wire to an antenna discharge unit, size of grounding conductors, location of antenna-discharge unit, connection to grounding electrodes, and requirements for the grounding electrode. See separate enclosed grounding code. See **Fig A**.

Example of Antenna Grounding

According to the National Electrical Code

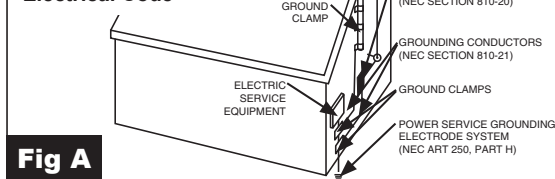


Fig A

NEC - NATIONAL ELECTRIC CODE

Antenna Discharge Unit is not required if lead-in conductors are enclosed in a continuous metallic shield that is permanently and effectively grounded.

Model CM-9521A



Model CM-9537

7. Ventilation

Your control is provided with ventilation openings to allow heat generated during operation to be released. If these openings are blocked, heat build-up can cause failure of the control and external damage. Therefore:

- Never block the ventilation slots by placing it on a bed, sofa, rug, etc.
- Never place in a "built-in" enclosure unless proper ventilation is provided.
- Never cover the openings with cloth or material.
- Never place near or over radiators, heat registers, amplifiers, or other heat sources.

8. Grounding or Polarization

Your control may be equipped with a polarized AC line plug (one blade of the plug is wider than the other). This safety feature allows the plug to fit into the power outlet only one way. Should you be unable to insert the plug fully into the outlet, try reversing the plug. Should it still fail to fit, contact your electrician to replace your obsolete outlet. Do not defeat the safety purpose of the polarized plug.

9. Power sources

Operate the control only from an A.C. power source as indicated on the bottom of the control. Do not use D.C.

10. Overloading

Overloaded AC outlets and extension cords are dangerous, and so are frayed power cords and broken plugs. They may result in a shock or fire hazard. Unplug the control and call your service technician for replacement.

11. Power Cord Protection

Do not allow anything to rest on or roll over the power cord, and do not place the control where power cord is subject to traffic or abuse. Pay particular attention to the cord at the plug and the point where it exists from the control unit. This may result in a shock or fire hazard.

12. Object and Liquid Entry

All individuals, especially children, should be cautioned about dropping or pushing objects into any openings. Some internal parts carry hazardous voltages and contact can result in electrical shock. Objects dropped into the control may also result in a fire hazard.

13. Water and Moisture

Never expose the control to rain or water. If the control becomes damp or wet, or if liquids are spilled into it, unplug the control

and have it inspected by a service technician before further use. Liquids, rain or excessive moisture may cause electrical shorts which can result in fire or shock hazards. Never operate the control near water, such as a swimming pool, etc. or near a bathtub, sink, laundry tub, or in a wet basement.

14. Cleaning
Unplug the control before cleaning. Use a slightly damp (not wet) cloth. Do not use an aerosol directly on the control since it may over spray and cause electrical shock.

15. Performance Change
Whenever the unit exhibits distinct change on performance, unplug the control and call your dealer or service technician.

16. Servicing
Any attempt to disassemble the control or drive portions of the unit may expose you to high voltage or other hazards. Observe all cautionary labels, warnings and safeguards.

17. Damage Requiring Service
If the control has been dropped or the case has been damaged, fire, and shock hazard may exist. Unplug the control and have it checked by a service technician before use.

18. Replacement Parts
When replacements parts are required, have the service technician verify that the replacements used have the same safety characteristics as the original parts. Unauthorized substitutions may result in a risk of fire or electric shock, or other risks.

19. Safety Check
Upon completion of any service or repairs to the unit, please ask the service technician to perform routine safety checks to determine that the unit is in a safe operating condition.

20. Lightning
For added protection of the control during a lightning storm or when control is to be left unattended for an extended period of time, unplug it from the wall outlet and disconnect the rotator cable. This will prevent possible shock, fire hazard and damage to the control due to lightning storms or power line surges.

21. Rooftop Installation
Always use extreme caution when installing a rooftop antenna and rotator system to reduce the risk of falls. Wear rubber-soled shoes and use a sturdy ladder. Do not install on a windy day or when the roof is wet or is covered with ice or snow.

CONTENTS

Model CM-9537

- Controller Only
- Handheld Unit
- 2 AAA Batteries
- AC Adapter
- Instruction Sheet

Model CM-9521A

- Drive and Controller
- Handheld Unit
- 2 AAA Batteries
- AC Adapter
- Instruction Sheet

CONTROLLER COMPATIBILITY

If purchased separately, the Model CM-9537 controller may be used with the following rotator drive units:

- Channel Master Models: CM-9500, 9510(A), 9512, 9513, 9515(A)
- Radio Shack® Model 15-1225

If you are upgrading an existing installation with Model CM-9537 controller, skip to controller installation.

ROTATOR INSTALLATION

- Determine proper size number of rotator cable from chart. Three conductor cable is suitable, but if four conductor cable is used, connect both conductors 3 and 4 to terminal 3 on the drive and control.

Gage		No. of Conductors	Maximum Length	
AWG	MM		Feet	Meters
22	.6	3	180	55
22	.6	4*	200	61
20	.8	3	280	85
20	.8	4*	310	95
18	1.0	3	445	136
18	1.0	4*	510	155

*NOTES: Attach 3 and 4 conductors to No. 3 terminals on control and drive.

- Install drive unit. On new drive units, arrow on mast support should be aligned with arrow shaped mast stop on housing. Install drive unit with arrows pointing south. Using a short piece of mast (3 feet or less), install the antenna to the drive unit aiming the antenna south. When desired channels are close to or on opposite sides of the north end stops, the antenna may be installed pointing north. Note, however, that the antenna will be pointing in the opposite direction from that indicated on the control. An alternative means of setting up is to perform a synchronization of the drive unit using the controller. Then set up the antenna pointing north. Ensure power is disconnected from the controller when making antenna adjustments. See Fig 1 and 2.

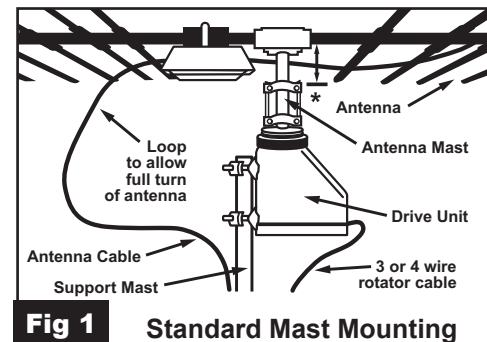


Fig 1 Standard Mast Mounting

*Mount antenna as close to rotor as possible. use no more than 3 feet of mast in top of drive unit.

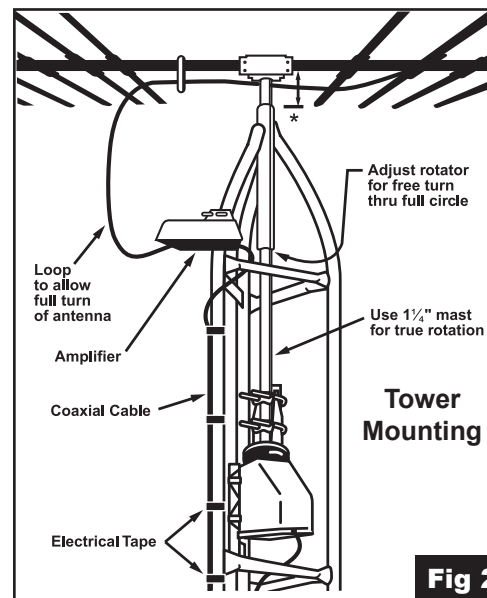


Fig 2

Do not mount citizens band base station antennas on top of a standard mast mount drive unit. Mast support may become overloaded in high winds.

- Connect rotator cable to drive unit terminal board. See Fig 3.

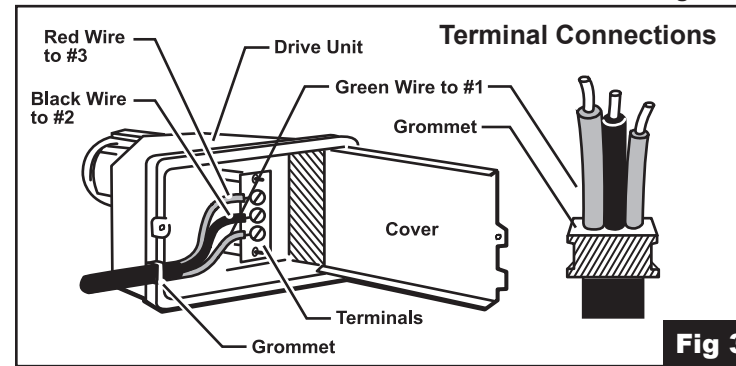


Fig 3

CAUTION: When using jacketed cable, be sure jacket of cable passes through the grommet to avoid moisture collection in the cable.

- Attach rotator cable and antenna cable securely to mast or tower, and pass through building to TV or FM set.

NOTES: See Fig A of the Important Safeguards section regarding grounding of the lead-in cable for lightning protection.

CAUTION: Before disconnecting old control box, make note of each wire color and the corresponding terminal connections. To reduce the risk of electric shock, do not remove cover. No user-serviceable parts inside. Refer servicing to qualified service personnel.

CONTROLLER INSTALLATION

- Determine the AC supply voltage and frequency in your country. The US, Canada, Japan, Taiwan and South America are generally 120 VAC Hz. Europe, Africa, Australia and Asia (except above mentioned) are generally 230 VAC 50 Hz. Your power company will advise. Ensure the supplied wall plug power supply voltage has the same input voltage as your household supply ($\pm 10\%$). If not, contact your dealer.

- Plug the power supply into the controller and the household supply. Observe the digital diagnostic display. It should display:

- **60H** (or 50H in 50 Hz countries)
- **HH1** (to use with the supplied handheld remote control) If the above are not correct refer to **Appendix A** to change.

- Disconnect the wall plug supply at the wall outlet. Connect the cables between the controller and drive unit. See Fig B.

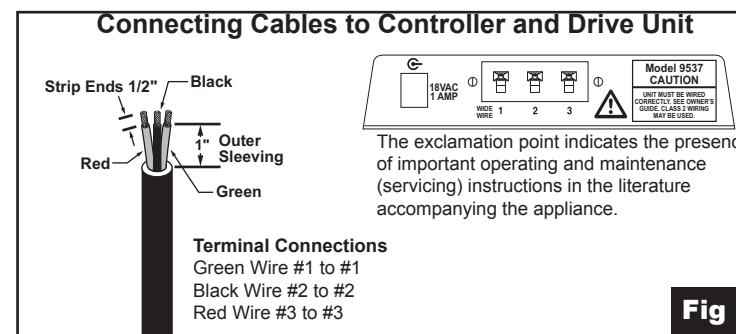


Fig B

- Reconnect the AC supply to the controller. After 5 seconds it will switch off. Switch back on by pressing any key on the front panel or handheld remote control. Perform a synchronization by pressing the sync button on the left of the front panel. This takes slightly over one minute. The unit may now be operated from the front panel using the up and down controls.

- Digital Compass**
This feature operates as follows:
The display **000** to **360** degrees where:

- **000** is North (fully CCW viewed by a bird)
- **090** is East

- **180** is South
- **270** is West
- **360** is North (fully CW viewed by a bird)

HANDHELD REMOTE SETUP

- Install 2 AAA batteries in the handheld remote.
- Check operation by pressing the **POWER** button and observing the display. If it does not function, check for **HH1** in power up diagnostic display. If the display is **HH2**, refer to **Appendix A** to change.

- The **UP** and **DOWN** controls will move the antenna position (the same as the front panel controls). Alternately, a location may be accessed directly using a 3 digit compass location. Example, press **090** for East, **225** for South-West, etc.

- Programming Preset Locations**
This is the most popular mode of operation, 69 preset locations (01 to 69) allow location numbers to be the same as TV channel numbers if desired.

- Find best signal using **UP** and **DOWN** controls.
- Decide on a memory location, eg. 27.
- Press **27 UP 27**.
(Locations 01 to 09, eg. 05 may be programmed by either **05 UP 05** or **5 UP 5**.)
- Location is now memorized.

- Accessing a Preset Location**
As an example, to access location 27, press **27**. Display will flash "c27", then show compass bearing while the antenna is moving. It will become steady "c27" when it arrives. (Locations 01 to 09, eg. 05 may be accessed as either 05 or 5).

- Displaying Memory Locations/Status**
From the handheld remote control, press **99 UP**. Then observe the display. Each programmed location is shown, followed by its digital compass location. Additionally setting of **power frequency, handheld, autosync** and **timeout** are shown. A typical display might be:

60H	60Hz power	c05 270	Compass bearing for c05
HH1	Handheld 1	c11 090	Compass bearing for c11
to on	Timeout on	c17 270	Compass bearing for c17
888	End of diagnostics	35	35 moves before a resync
Syn on	Autosync on		

- Deleting Programmed Locations/Reset**
Press **91 DOWN** form the handheld remote control.
CAUTION: Use this command with care as ALL memory locations will be deleted. This will also set **autosync** off and **timeout** on

- Synchronization**
Press the **SYNC** key on the left of the front panel or **00 Down** from the handheld. A counterclockwise movement is performed to synchronize the control unit with the drive unit for proper operation. Synchronization takes slightly over one minute. After severe storms, or an extended period of use, the rotator may appear to position the antenna incorrectly. First try pressing the **SYNC** key to re-synchronize the system. If this fails, the antenna or drive motor may be misaligned on the mast. You may either go to the antenna and re-orient it, or reprogram the control unit to correspond to the new antenna orientation.

- Auto Synchronization**
The unit may be set up program a sync command automatically after 50 pre programmed moves. This feature is switched on (or reset to 50) by pressing **98 UP**. It is switched off by pressing **98 DOWN**. Check to see if active by pressing **99 UP** (Display Status) and observing "SYn on" or "SYn OFF".

- Timeout**
The unit may be set to switch off after 8 minutes of no activity by pressing **97 UP**. This feature is deactivated by pressing **97 DOWN**. Check to see if **timeout** is active by pressing **99 UP** (Display Status) and observing "to on" or "to OFF." The unit

05 ou sur 5).

6. Affichage des orientations/situations mémorisées

Depuis la télécommande manuelle, appuyez sur 99 UP, puis observez l'affichage. Il montre chaque orientation programmée, son relèvement à la boussole, ainsi que la **fréquence d'alimentation**, la **télécommande**, la **synchronisation automatique** et la **temporisation**. Exemple d'affichage:

60H	Puissance de 60 Hz	c05 270	Relèvement à la boussole pour c05
HH1	Télécommande 1	c11 090	Relèvement à la boussole pour c11
to on	Timeout on	c17 270	Relèvement à la boussole pour c17
888	Fin du diagnostic	35	35 mouvements avant resync
Syn on	Synchronisation automatique		

7. Élimination d'orientations pré-réglées/Remise à zéro

Appuyez sur **91 DOWN** sur la télécommande manuelle.

ATTENTION: Utilisez cette commande avec précaution car toutes les orientations mémorisées seront effacées, et ceci met hors circuit la **Synchronisation automatique** et met en circuit la **Temporisation**

8. Synchronisation

Appuyez sur la touche **SYNC** sur la gauche du panneau avant ou sur **00 DOWN** sur la télécommande. Un déplacement dans les sens inverse des aiguilles d'une montre est effectué pour synchroniser le contrôleur et le rotateur en vue d'un bon fonctionnement. La synchronisation prend un peu plus d'une minute. Après de gros orages, ou une période d'utilisation prolongée, il peut sembler que le rotateur place l'antenne de façon erronée. Appuyez d'abord sur la touche **SYNC** pour recynchroniser le système. Si cela échoue, l'antenne ou le rotateur sont peut-être mal alignés par rapport au mât. Il faut soit aller à l'antenne et la réorienter, soit reprogrammer le contrôleur pour qu'il corresponde à la nouvelle orientation de l'antenne.

9. SYNCHRONISATION AUTOMATIQUE

L'appareil peut être programmé pour effectuer une synchronisation automatique après 50 déplacements préprogrammés. Cette fonction est mise en service (ou réglée à 50) en appuyant sur **98 UP**; elle est éliminée en appuyant sur **98 DOWN**. Vérifiez qu'elle est activée en appuyant sur **99 UP** (apparition de l'affichage) et en vérifiant "**SYn on**" ou "**SYn OFF**".

10. TEMPORISATION

L'appareil peut être réglé pour s'éteindre après 8 minutes d'absence d'activité en appuyant sur **97 UP**; cette fonction est éliminée en appuyant sur **97 DOWN**. érifiez que cette fonction est activée en appuyant sur **99 UP** (apparition de l'affichage) et en vérifiant **to on** ou **to OFF**. L'appareil s'éteint automatiquement 5 secondes après son branchement ou après une panne de courant.

UTILISATION DU CONTRÔLEUR AVEC UNE TÉLÉCOMMANDE UNIVERSELLE

Les télécommandes universelles sont très utilisées car elles permettent de commander un téléviseur, un magnétoscope, un câblosélecteur et des composants audio. Elles ne coûtent pas cher et constituent le remplacement parfait pour les télécommandes perdues ou cassées. Le contrôleur du rotateur répond aux commandes des télécommandes programmées pour contrôler la plupart des câblosélecteurs de marque Pioneerz (mode HH1) ou la plupart des lecteurs de CD de marque Pioneerz (mode HH2). Voir l'**Annexe A**, ainsi que les instructions fournies avec la télécommande universelle.

REMARQUES: Channel Master ne peut garantir la compatibilité des télécommandes universelles.

ANNEXE A (Sommaire des réglages du panneau avant)

RÉGLAGE DU COURANT de 60 Hz ▲+ ▼ À LA MISE EN CIRCUIT

RÉGLAGE DU COURANT de 50 Hz ▲+ ▼+SY À LA MISE EN CIRCUIT

RÉGLAGE DE TÉLÉCOMMANDE HH1 ▲+ SY À LA MISE EN CIRCUIT

RÉGLAGE DE TÉLÉCOMMANDE HH2 ▼+ SY À LA MISE EN CIRCUIT

Exemple: Pour régler un courant de 60 Hz:

- Débranchez le raccord d'alimentation à l'arrière de l'appareil.
- Appuyez sur et maintenez ensemble les touches **UP** et **DOWN**.
- Branchez le raccord d'alimentation à l'arrière de l'appareil.
- Relâchez les touches **UP** et **DOWN**.

Les autres fonctions sont réglées de la même manière en utilisant les touches suivantes en b et d: courant de 50 Hz: **UP**, **DOWN** et **SYNC**; télécommande 1 (appareil fourni et la plupart des câblosélecteurs Pioneerz): **UP** et **SYNC**; télécommande 2 (la plupart des lecteurs de CD Pioneerz): **DOWN** et **SYNC**. Vérifiez que les réglages sont bons en coupant le courant pendant quelques secondes, puis en le rétablissant; l'affichage doit indiquer:

50H (ou 50H pour 50 Hz)

HH1 (ou HH2 pour une autre télécommande)

ANNEXE B (Sommaire des commandes de la télécommande manuelle)

SYNCHRONISATION:	00 ▼
PROGRAMME:	#▲# (# = 01 à 69)
AFFICH. ORIENT./SITUAT. MÉMORISÉES:	99 ▲
SYNCHRON. AUTOM. EN CIRCUIT/RÉGLAGE À 50: 98	▲
SYNCHRON. AUTOM. HORS CIRCUIT:	98 ▼
TEMPORISATION (8 MINUTES) EN CIRCUIT:	97 ▲
TEMPORISATION HORS CIRCUIT:	97 ▼
ÉLIMINATION MÉMOIRES/REMISE À ZÉRO:	91 ▼

ANNEXE C (Problèmes courants)

LA TÉLÉCOMMANDE MANUELLE NE FONCTIONNE PAS
Pile déchargée ou réglage pour le mauvais type de télécommande (voir **Annexe A**).

LA TÉLÉCOMMANDE MANUELLE NE COMMANDE PAS CERTAINES FONCTIONS (p. ex. **UP/DOWN**) Si la télécommande fournie est bonne, essayez tous les codes disponibles de câblosélecteur Pioneer® et de lecteurs de CD Pioneer®. La télécommande universelle peut ne pas être entièrement compatible.

L'APPAREIL NE REPÈRE PAS DE FAÇON CORRECTE
Vérifiez le réglage de fréquence de puissance de 50/60 Hz (voir **Annexe A**).

LA PRÉCISION D'ORIENTATION SEMBLE DÉGRADÉE
Effectuez la fonction **SYNC** (Synchronisation).

L'ANTENNE NE BOUGE PAS, MAIS LE CONTRÔLEUR INDIQUE UN DÉPLACEMENT

Vérifiez le câblage entre le contrôleur et le rotateur.

ANNEXE D (Utilisation du rotateur quelle que soit la pièce du bâtiment)

Les méthodes et produits suivants sont suggérés mais pas agréés par Channel Master:

- une télécommande universelle UHF avec un convertisseur UHF à infrarouge dans la même pièce que le modèle CM-9537, **ou**:
- un convertisseur infrarouge à UHF dans chaque pièce où on désire utiliser l'appareil, plus un convertisseur UHF à infrarouge dans la même pièce que le modèle CM-9537.

CHANNEL MASTER PRODUCT RETURN POLICY & PROCEDURE In Warranty / Out of Warranty / Credit Procedure
Effective Immediately **Warranty Period:** 90-day warranty applies to all Channel Master Products* Dealers & Consumers:
Dealers and consumers can return any In-Warranty Channel Master product to the Warranty department for repair or replacement. For In-Warranty service the consumer or dealer must call Technical Service and request an RMA number in order to return the product. The returned product must have the RMA number visible on the box and must include the bill of sale showing the unit is within the warranty period. If the unit is found to be defective under our Warranty Policy Channel Master will repair or replace the item at no charge. Products outside of the warranty period should not be returned to Channel Master with

Modèles CM-9521A et 9537

Mode d'emploi

ATTENTION : Lisez et respectez toutes les MISES EN GARDE IMPORTANTES indiquées dans ce livret. Lisez et respectez les instructions de sécurité, d'installation et d'utilisation fournies avec cet appareil et avec l'antenne AVANT toute installation ou utilisation. Conservez ce livret et toutes les instructions pour votre sécurité et pour toute référence ultérieure.

MISES EN GARDE IMPORTANTES

Ce rotateur d'antenne, qui comprend un contrôleur et un rotateur, a été conçu et fabriqué pour garantir votre sécurité personnelle, mais une mauvaise installation ou utilisation de l'appareil, ou de l'antenne qui lui est reliée, peut entraîner des risques de décharge électrique ou d'incendie. Afin de ne pas neutraliser les protections incorporées à cet appareil, respectez les règles élémentaires suivantes lors de son installation, de son utilisation et de son entretien.

1. Lisez les instructions

Il faut lire tout le mode d'emploi et les instructions de sécurité avant d'utiliser cet appareil.

2. Conservez les instructions

Il faut conserver le mode d'emploi et les instructions de sécurité pour référence ultérieure.

3. Respectez les mises en garde

Il faut respecter toutes les mises en garde indiquées sur l'appareil et dans le mode d'emploi.

4. Respectez les instructions

Il faut respecter toutes les instructions d'utilisation.

5. Câbles électriques

Une antenne extérieure ne doit pas être placée à proximité de câbles électriques ni d'aucuns autres circuits électriques ou d'éclairage, ni là où elle pourrait tomber sur de tels câbles ou circuits. En installant une antenne extérieure, il faut faire très attention à ne toucher aucun câble ou circuit électrique, tout contact pouvant être mortel.

6. Mise à la terre de l'antenne extérieure

En cas d'installation du rotateur sur une antenne extérieure, assurez-vous que l'antenne est reliée à la terre afin de protéger contre les surtensions électriques et les charges statiques accumulées. L'article 810 du Code électrique national ANSI/NFPA70 et les articles 10, 16 et 54 du Code électrique canadien CSA C22.1 fournissent les renseignements voulus quant à la mise à la terre correcte du mât et de la structure de support, à la mise à la terre du câble de descente d'antenne vers un bloc de décharge, au calibre des conducteurs de mise à la terre, à l'emplacement du bloc de décharge, ainsi qu'au type et au

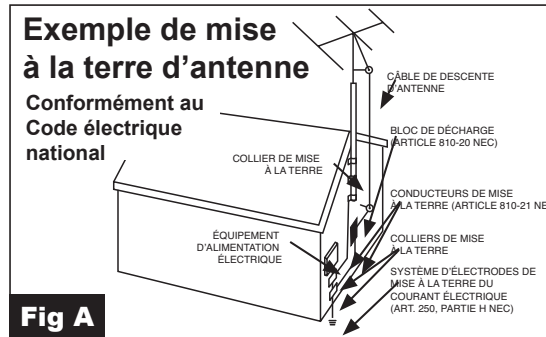


Fig A

NEC – CODE ÉLECTRIQUE NATIONAL

Le bloc de décharge d'antenne n'est pas requis si les conducteurs du câble de descente sont enfermés dans une gaine métallique continue reliée à la terre de façon efficace et permanente.

Channel Master®

Modèle CM-9521-A



Modèle CM-9537

branchement des électrodes de mise à la terre. Voir le code de mise à la terre fourni séparément. **Voir la fig. A.**

7. Ventilation

Le contrôleur possède des fentes de ventilation afin de dissiper la chaleur pendant l'utilisation. Si ces ouvertures sont bouchées, la chaleur accumulée peut entraîner une panne du contrôleur et des dégâts extérieurs. Ainsi,

- Ne bouchez jamais les fentes en plaçant le contrôleur sur un lit, un sofa, un tapis...
- Ne placez jamais le contrôleur dans une enceinte encastrée à moins d'en fournir une ventilation appropriée.
- Ne recouvrez jamais les fentes de tissu ni d'aucun autre matériau.
- Ne placez jamais le contrôleur sur ou près d'un radiateur, d'une bouche de chaleur, d'un amplificateur ou d'une autre source de chaleur.

8. Mise à la terre ou polarisation

Le contrôleur peut être équipé d'une fiche de courant alternatif polarisée (avec une lame plus large que l'autre). Ce dispositif de protection permet d'enfoncer la fiche d'une seule façon dans la prise. Si vous ne pouvez pas enfoncer la fiche dans la prise, essayez de l'inverser. Si cela n'est toujours pas possible, contactez un électricien afin qu'il remplace la prise désuète. N'éliminez pas la sécurité de la fiche polarisée.

9. Source de courant

N'utilisez le contrôleur qu'avec du courant alternatif, tel qu'indiqué sous le contrôleur; n'utilisez pas de courant continu.

10. Surcharge

Les prises de courant alternatif et les rallonges en surcharge sont dangereuses, ainsi que les cordons effilés et les prises cassées; ceci peut entraîner des risques de décharge électrique ou d'incendie. Débranchez le contrôleur et appelez un réparateur en vue de leur remplacement.

11. Protection des cordons électriques

Ne laissez aucun objet reposer ou rouler sur le cordon et ne placez pas le contrôleur là où le cordon pourrait être exposé à des passages de personnes ou des dégâts éventuels. Surveillez surtout le cordon près de la fiche et à l'endroit d'où il sort du contrôleur; ces points peuvent entraîner des risques de décharge électrique ou d'incendie.

12. Pénétration d'objets et de liquides

Attirez l'attention de tous, surtout des enfants, sur le fait d'éviter de faire tomber ou d'enfoncer des objets dans les fentes de

l'appareil. Certaines pièces intérieures peuvent être traversées par des tensions dangereuses et tout contact ou tout objet pénétrant dans le contrôleur peut entraîner des risques de décharge électrique ou d'incendie.

13. Eau et humidité

N'exposez jamais le contrôleur à la pluie ou à de l'eau. Si le contrôleur devient humide ou mouillé, ou si un liquide y a pénétré, débranchez le contrôleur et faites-le inspecter par un réparateur avant de le réutiliser. Les liquides, la pluie ou une humidité excessive peuvent entraîner des risques de décharge électrique ou d'incendie. N'utilisez jamais l'appareil en présence d'eau, près d'une piscine, d'une baignoire, d'un lavabo, d'un évier... ou dans un sous-sol humide.

14. Nettoyage

Débranchez le contrôleur avant de le nettoyer. Utilisez un chiffon légèrement humide (pas mouillé). N'utilisez pas de bombe aérosol près du contrôleur; le jet pulvérisé pourrait y pénétrer et entraîner une décharge électrique.

15. Changement de rendement

Lorsque vous expérimentez un changement important du rendement de l'appareil, débranchez-le et appelez le détaillant ou un réparateur.

16. Réparations

Toute tentative de démontage du contrôleur ou des pièces de rotation peut entraîner des risques de haute tension ou d'autres dangers. Respectez toujours les mises en garde, conseils et précautions de sécurité des étiquettes.

17. Dégâts nécessitant une réparation

Si le contrôleur est tombé ou si le boîtier est endommagé, ceci peut entraîner des risques de décharge électrique ou d'incendie. Débranchez le contrôleur et faites-le vérifier par un réparateur avant de le réutiliser.

18. Pièces de rechange

En cas de besoin de pièces de rechange, demandez au réparateur de vérifier que les pièces de rechange utilisées possèdent les mêmes normes de sécurité que les pièces d'origine. Toute substitution non autorisée peut entraîner des risques de décharge électrique ou d'incendie, et d'autres dangers.

19. Vérification de sécurité

Après tout entretien ou toute réparation de l'appareil, demandez au réparateur d'effectuer les vérifications de sécurité habituelles pour déterminer que l'appareil est en bon état de marche.

20. Foudre

Afin de mieux protéger l'appareil contre la foudre, ou lorsque vous devez le laisser sans surveillance pendant longtemps, débranchez le contrôleur de la prise murale et débranchez le câble du rotateur, ceci afin d'éviter les risques possibles de décharge électrique, d'incendie ou de dégâts à l'appareil dus à la foudre ou à une surtension.

21. Installation sur le toit

Faites toujours très attention lors de l'installation d'une antenne de toit et d'un système de rotation afin de réduire les risques de chute. Portez des chaussures à semelles de caoutchouc et utilisez une échelle solide. Évitez les jours où il fait du vent ou lorsque le toit est mouillé ou couvert de glace ou de neige.

CONTENU

Modèle CM-9537

- Contrôleur seulement
- Télécommande
- 2 piles AAA
- Adaptateur de c.a.
- Mode d'emploi

Modèle CM-9521A

- Rotateur et contrôleur
- Télécommande
- 2 piles AAA
- Adaptateur de c.a.
- Mode d'emploi

COMPATIBILITÉ DU CONTRÔLEUR

En cas d'achat séparé, le contrôleur CM-9537 peut être utilisé avec l'un des rotateurs suivants:

- Modèles CM-9500, 9510(A), 9512, 9513 et 9515(A) Channel Master
- Modèle 15-1225 Radio Shack®

En cas d'amélioration d'une installation existante à l'aide du contrôleur CM-9537, passez directement à «Installation du contrôleur».

INSTALLATION DU ROTATEUR

- Déterminez le calibre approprié du câble du rotateur selon le tableau ci-dessous. Un câble à trois fils suffit, mais en cas d'emploi d'un câble à 4 fils, reliez les deux fils 3 et 4 à la borne 3 du rotateur et du contrôleur.

Calibre		Nombre de fils	Longueur maximale	
AWG	en mm		en pieds	en mètres
22	.6	3	180	55
22	.6	4*	200	61
20	.8	3	280	85
20	.8	4*	310	95
18	1.0	3	445	136
18	1.0	4*	510	155

*REMARQUE: Reliez les deux fils 3 et 4 à la borne 3 du rotateur et du contrôleur.

- Installez le rotateur. Sur les appareils neufs, la flèche sur le support du mât doit être alignée sur la butée de mât en forme de flèche sur le boîtier. Installez le rotateur avec les flèches dirigées vers le sud. Sur une petite longueur de mât, de 1 m (3 pi) maximum, installez l'antenne sur le rotateur en dirigeant l'antenne vers le sud. Lorsque les canaux désirés sont proches de ou sur le côté opposé aux butées côté nord, l'antenne peut être installée dirigée vers le nord. À noter cependant que l'antenne sera dirigée dans la direction opposée à celle indiquée sur le contrôleur. Une autre façon de régler l'ensemble est d'effectuer une synchronisation du rotateur en utilisant le contrôleur. Vous pouvez ensuite diriger l'antenne vers le nord. En faisant les réglages de l'antenne, assurez-vous que le courant vers le contrôleur est débranché. Voir fig. 1 et 2.

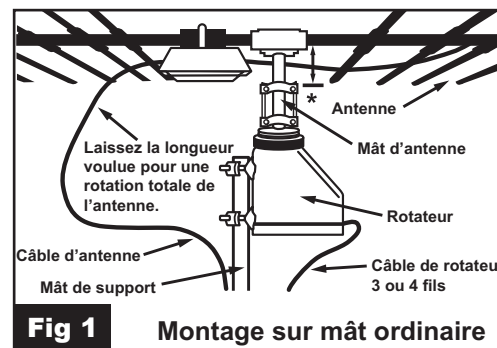


Fig 1 Montage sur mât ordinaire

*Montez l'antenne aussi proche que possible du rotateur. Ne laissez pas plus d'un mètre (3 pi) de mât au-dessus du rotateur.

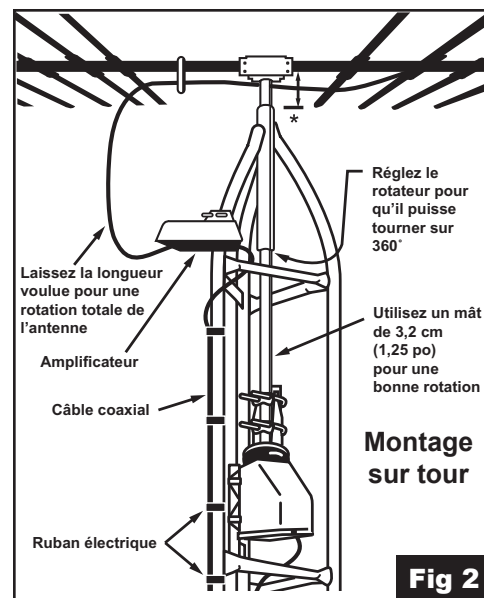


Fig 2

Ne montez aucune antenne de station de base de service radio général au sommet d'un rotateur sur mât ordinaire; le support de mât peut ne pas résister aux vents violents.

- Branchez le câble du rotateur sur le panneau de raccordement du contrôleur; voir Fig 3.

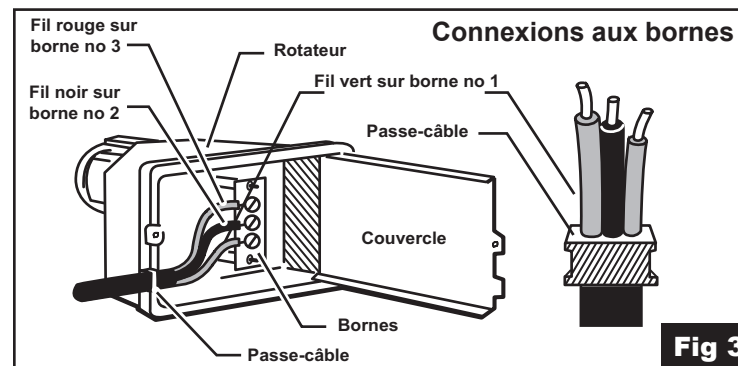


Fig 3

ATTENTION: En cas d'utilisation d'un câble enveloppé, assurez-vous que l'enveloppe passe dans le passe-câble pour éviter toute accumulation d'humidité dans le câble.

- Fixez le câble du rotateur et celui de l'antenne de façon solide sur le mât ou la tour et entrez-le à l'intérieur vers le téléviseur ou l'appareil radio FM.

REMARQUES: Voir à la fig. A les mises en garde importantes sur la mise à la terre du câble de descente pour le protéger contre la foudre.

ATTENTION: Avant de débrancher l'ancien boîtier de contrôle, notez les couleurs de chaque fil et les bornes correspondantes. Pour réduire les risques de décharge électrique, ne retirez pas le couvercle; il n'y a à l'intérieur aucune pièce réparable par l'utilisateur. Pour les réparations, faites appel à un personnel qualifié.

INSTALLATION DU CONTRÔLEUR

- terminez la tension d'alimentation et la fréquence dans votre région. En général, aux É.-U., au Canada, au Japon, à Taïwan et en Amérique du Sud, la tension est de 120 volts, 60 Hz. En Europe, en Afrique, en Australie et en Asie (à part les régions indiquées ci-dessus), la tension est en général de 230 volts, 50 Hz. Votre compagnie d'électricité peut vous renseigner. Assurez-vous que la tension alimentant la prise murale est identique à celle alimentant le bâtiment (à "10 % près). Sinon, contactez votre détaillant.
- Branchez le raccord d'alimentation dans le contrôleur et dans la

prise murale. Observez l'affichage de diagnostic numérique; il devrait indiquer:

- **60H** (ou 50H dans les pays à courant de 50 Hz)
- **HH1** (à utiliser avec la télécommande manuelle fournie). Si les indications sont différentes, changez-les selon les instructions de l'Annexe A.

- Débranchez le courant à la prise murale. Reliez les câbles entre le contrôleur et le rotateur; voir Fig B.

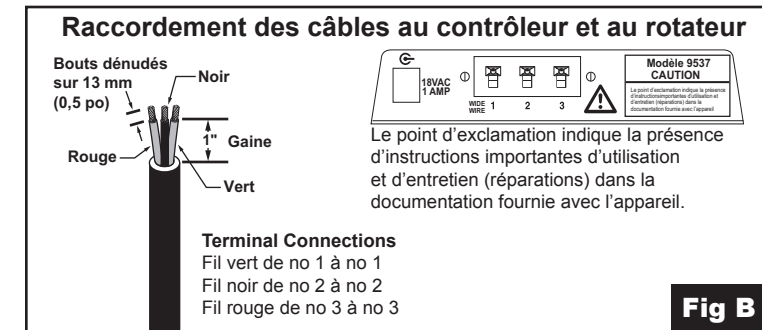


Fig B

- Rétablissez l'alimentation vers le contrôleur. Après 5 secondes, il s'éteint. Rallumez-le en appuyant sur l'une des touches du panneau avant ou de la télécommande. Effectuez une synchronisation en appuyant sur la touche Sync sur la gauche du panneau avant. Ceci prend un peu plus d'une minute. L'appareil peut maintenant être utilisé à partir du panneau avant en utilisant les touches de défilement.

5. Boussole numérique

Ce dispositif fonctionne comme suit, avec un affichage de **000** à **360** degrés, où:

- **000** représente le nord (entièrement dans le sens contraire des aiguilles d'une montre, vu du ciel)
- **090** représente l'est
- **180** représente le sud
- **270** représente l'ouest
- **360** représente le nord (entièrement dans le sens des aiguilles d'une montre, vu du ciel)

RÉGLAGE DE LA TÉLÉCOMMANDE

- Installez 2 piles AAA dans la télécommande manuelle.
- Vérifiez le fonctionnement en appuyant sur la touche **POWER** et en observant l'affichage. S'il ne fonctionne pas, vérifiez que l'affichage de diagnostic d'alimentation indique **HH1**. S'il indique **HH2**, changez-le selon les instructions de l'Annexe A.
- Les flèches **UP** (vers le haut) et **DOWN** (vers le bas) permettent de modifier l'orientation de l'antenne (tout comme avec les touches du panneau avant). On peut aussi accéder directement à une orientation en utilisant un code à 3 chiffres de la boussole. Exemple: appuyez sur 090 pour obtenir l'est, **225** pour le sud-ouest...
- Programmation des orientations prééglées**
C'est le mode d'utilisation le plus répandu, avec 69 orientations prééglées (de 01 à 69), permettant, si on le désire, d'utiliser les mêmes numéros que ceux des canaux télé.
 - Trouvez le meilleur signal à l'aide des touches **UP** et **DOWN**.
 - Décidez d'une orientation à mémoriser, p. ex. 27.
 - Appuyez sur **27 UP 27**.
(Les orientations 01 à 09, p. ex. 05, peuvent être programmées en appuyant sur **05 UP 05** ou sur **5 UP 5**.)
 - L'orientation est maintenant mémorisée.

5. Accès à une orientation prééglée

Exemple: Pour accéder à l'orientation 27, appuyez sur **27**. L'affichage clignote en indiquant **c27**, puis montre la boussole lorsque l'antenne tourne; lorsque l'antenne atteint la position désirée, le clignotement arrête et l'affichage montre **c27**. On peut accéder aux orientations 01 à 09, p. ex. 05, en appuyant sur

PRODUCTO POLÍTICA DE DEVOLUCIÓN Y PROCEDIMIENTO En garantía y fuera de garantía / crédito
Procedimiento PERÍODO DE GARANTÍA: garantía de 90 días se aplica a todos los productos de Master Channel * Comerciantes y consumidores: Los distribuidores y los consumidores pueden devolver cualquier In-Garantía Canal producto Master para el departamento de garantías para su reparación o reemplazo. Para en el servicio de garantía al consumidor o distribuidor debe llamar al Servicio Técnico y solicitar un número de RMA para devolver el producto. El producto devuelto debe tener el número de RMA visible en el cuadro y debe incluir la factura de compra indicando que la unidad se encuentra dentro del periodo de garantía. Si la unidad se encuentre defectuosa bajo nuestra política de garantía para Channel Master se compromete a reparar o sustituir el producto sin costo alguno. Productos fuera del periodo de garantía no debe ser devuelto al canal principal con la excepción de cualquier producto solicitado por el Soporte Técnico para ser visitada con fines de garantía de calidad.
Servicio Técnico Teléfono: +1.877.746.7261 * Algunos productos tienen garantía extendida expresión períodos
GARANTÍA CONDICIONES GENERALES: 1.1 Sin perjuicio de las disposiciones de esta Garantía, MASTER DE CANAL garantiza que el equipo y software que se describe en el artículo 1.2 que cumplen con las especificaciones en todos los aspectos materiales y que el equipo estará libre de defectos materiales en materiales y mano de obra durante el período de garantía. 1.2 Esta garantía se aplica a todas las compras originales de los clientes de CHANNEL MASTER ("Equipo"). Las garantías establecidas en el presente no son transferibles. 1.3 El período de vigencia de esta garantía se iniciará en la fecha de compra del equipo o de la fecha de instalación por un técnico autorizado CHANNEL MASTER y terminará, para el Equipo, noventa (90) días más tarde (para todos los componentes y las actualizaciones del sistema) , a menos que se exprese lo contrario o el presente documento (en cada caso el "Período de Garantía").
RETORNO DE LOS EQUIPOS CON GARANTÍA: 2.1 Si un elemento del mal funcionamiento del equipo o no en uso normal dentro del periodo de garantía aplicable: (a) el Cliente deberá notificar a CHANNEL MASTER dentro de los treinta (30) días del problema. (B) CHANNEL MASTER, a su elección, resolver el problema por teléfono u ofrecer a los clientes con una autorización de devolución ("RMA") El número y la dirección a la cual el cliente puede enviar el artículo defectuoso. (c) Si el problema no puede resolverse a través del teléfono, el cliente deberá adjuntar una etiqueta que muestre el número de RMA a cada artículo devuelto, e incluir una descripción del problema. El cliente deberá, a su propio costo, empaque del artículo que se devolverá , marque el número RMA en el exterior de la caja, pagar por adelantado el seguro y los gastos de envío, y enviar el artículo a la ubicación especificada CHANNEL MASTER. (D) la devolución no autorizada de cualquier equipo, ya sea dentro o fuera de garantía, será objeto de una acusación de manipulación, además de todas las reparaciones y todos los gastos de transporte. (E) CHANNEL MASTER, a su entera discreción, reparar o reemplazar el artículo devuelto. Si sustituye, el artículo de reemplazo pueden ser nuevos o reacondicionados, si reformado será equivalente en funcionamiento a los nuevos equipos. Si un artículo devuelto se sustituye por CHANNEL MASTER, el Cliente acepta que el artículo devuelto pasará a ser propiedad del canal Master. (F) CHANNEL MASTER completará el intercambio de CHANNEL MASTER fabrican equipos devueltos por esta garantía en un plazo razonable, con sujeción a los plazos de la fábrica, y hará un esfuerzo de buena fe para reducir al mínimo cualquier y todos los retrasos que sea posible, y (g) CHANNEL MASTER, a su costo, enviar el artículo reparado o sustituido al Cliente. Si el cliente solicita el envío expreso, el cliente pagará una cuota de CHANNEL MASTER acelerar. 2.2 El equipo que esté reparado o sustituido por CHANNEL MASTER bajo esta garantía serán cubiertos por todas las disposiciones de esta Garantía para el resto del periodo de garantía aplicable (para ese equipo en particular) a partir de la fecha de reparación o sustitución, si fuera mayor. 2.3 Si el equipo es reparado más allá de las fechas efectivas de garantía o si el uso anormal había ocurrido, el Cliente se cobrará las tarifas aplicables y el cliente será informado de los cargos estimados antes de la reparación por el centro de CHANNEL MASTER 's de servicio autorizado. 2.4 El precio de las reparaciones fuera de garantía a cargo del cliente se basará en el trabajo normal y los precios de las piezas en vigor en el momento de la reparación. CHANNEL MASTER realizará sus mejores esfuerzos para garantizar que el costo de dicha reparación, cambio, renovación, o de sustitución no será mayor al precio original del producto. 2.5 Si el problema vuelve a aparecer en el período de garantía, CHANNEL MASTER, a su elección: (1) volver a realizar el servicio, (2) reemplazará el producto conforme a los términos de esta garantía, (3) permitir al cliente para devolver el producto y emitir una restitución de conformidad con esta orden, o (4) devolverá el importe que el cliente pagó por los servicios.

MODIFICACIÓN DE PRODUCTOS: 4.1 reservas CHANNEL MASTER el derecho de hacer cambios o mejoras a sus productos, durante la producción posterior, sin incurrir en la obligación de instalar tales modificaciones o mejoras en los productos previamente fabricados o vendidos.
FUERZA MAYOR: 5.1 CHANNEL MASTER no será responsable si su ejecución bajo esta garantía sea comercialmente factible por cualquier contingencia fuera del control razonable CHANNEL MASTER, incluidos los actos de Dios, incendios, inundaciones, guerras, sabotajes, disturbios, accidentes, conflictos laborales o la escasez, el gobierno leyes, normas y reglamentos, si las especificaciones incapacidad válido o inválido, para obtener materiales, equipos o transporte, es incorrecta, tardía o incompleta, dibujos o datos suministrados por el Cliente (colectivamente, "Fuerza Mayor")
LIMITACIONES Y REQUISITOS DE LA GARANTÍA: 6.1 La presente garantía limitada se extiende solamente al comprador original del equipo y está en lugar de cualquier otra garantía expresa o implícita, incluidas las de comerciabilidad o idoneidad para un propósito en particular. Esta garantía no se aplica a cualquier defecto de la falla causada por: (a) cualquier parte de su equipo de haber sido modificado, adaptado, reparación, mantenimiento, transporte o reubicadas por cualquier persona. (b) de almacenamiento o las características ambientales que no se ajusten a las secciones correspondientes de la correspondiente Manual sobre el equipo o la hoja de instrucciones, (c) El incumplimiento para cumplir con las Instrucciones de Operación del equipo en el "Manual de Equipo y Hojas de Instrucción; (d) Las causas externas, incluyendo el estrés eléctrico externo o eléctrica, o su uso en conjunción con equipos incompatibles, a menos que dicho uso era con la petición previa por escrito CHANNEL MASTER, (e) los daños superficiales; (f) los daños accidentales, negligencia, modificación, manejo incorrecto, abuso o mal uso. o (g) Fuerza Mayor.
LIMITACIÓN DE DAÑOS: 7,1 ESTA GARANTÍA ES GARANTÍA exclusivo del cliente en cuanto al material, MASTER DE CANAL EXPRESAMENTE RENUNCIA A TODA GARANTÍA OTROS DE NINGÚN TIPO, EXPRESA O IMPLÍCITA, INCLUYENDO CUALQUIER GARANTÍA DE IDONEIDAD PARA UN PROPÓSITO PARTICULAR Y DE COMERCIALIZACIÓN. 7.2 CHANNEL MASTER NO SE HARÁ RESPONSABLE EN AGRAVIO, incluida la responsabilidad por negligencia o responsabilidad estricta, y no tendrá responsabilidad alguna por daños a personas o bienes.
RESPONSABILIDAD CHANNEL MASTER PARA incumplimiento de sus obligaciones bajo esta garantía o cualquier otra responsabilidad bajo o en conexión con el Equipo SERÁ LIMITADA A LA CANTIDAD DE EL PRECIO DE COMPRA DE LOS EQUIPOS EN EL MOMENTO DE COMPRA ORIGINAL. LOS REMEDIOS mencionadas en esta garantía son los remedios exclusivos del cliente contra CHANNEL MASTER SOBRE EL EQUIPO. 7,3 AUNQUE MASTER DE CANAL HA SIDO NOTIFICADOS DE LA POSIBILIDAD DE ELLOS, MASTER canal no será responsable por daños indirectos, incidentales, especiales o consecuentes, incluido el lucro cesante y los ingresos, no realización de ahorros previstos, cualquier reclamación contra un cliente por el tercero, o cualquier otra pérdida comercial o económica DE NINGUNA CLASE. 7,4 Estas limitaciones y responsabilidad no se realizado por el maestro canal donde prohibido por ley.

POLITIQUE ET PROCÉDURE DE REPRISE DES APPAREILS CHANNEL MASTER - Sous garantie / Hors garantie / Procédure de crédit - Entrant en vigueur immédiatement
Période de garantie : La garantie de 90 jours s'applique à tous les produits* Channel Master.
Détailants et consommateurs : Les détaillants et consommateurs peuvent envoyer tout produit Channel Master sous garantie au Service de garantie en vue de sa réparation ou de son remplacement. Pour le service sous garantie, le consommateur ou le détaillant doit appeler le service technique et demander un numéro d'autorisation de reprise (désigné «RMA») pour pouvoir envoyer le produit. Le numéro RMA doit apparaître de façon bien lisible sur l'emballage du produit envoyé et l'emballage doit contenir le bon de vente montrant que le produit est envoyé au cours de la période de garantie. S'il est découvert que le produit est défectueux conformément à notre politique de garantie, Channel Master réparera ou remplacera gratuitement le produit. Les produits dont la période de garantie est dépassée ne doivent pas être envoyés à Channel Master, à l'exception de tout produit dont l'envoi a été autorisé par le Service technique en vue d'une vérification sur l'assurance de la qualité.
Téléphone du Service technique : 1-877-746-7261 ; * Certains produits ont une période de garantie plus longue.
GARANTIE : en vigueur immédiatement.
CONDITIONS GÉNÉRALES : 1.1 Compte tenu des conditions de la présente garantie, CHANNEL MASTER garantit que l'équipement et le logiciel décrits à l'article 1.2 sont conformes à nos spécifications dans tous leurs aspects matériels et qu'ils resteront exempts de tout défaut de matériaux et de fabrication pendant la période de garantie limitée. 1.2 La présente garantie s'applique à tous les produits achetés par les clients de CHANNEL MASTER (l'«équipement»). Les garanties ne peuvent pas être transférées. 1.3 La période de validité de la présente garantie débute le jour de l'achat de l'équipement ou à la date de l'installation de l'équipement par un technicien approuvé par CHANNEL MASTER, et se termine, pour l'équipement, quatre-vingt-dix jours plus tard (pour tous les composants et les mises à jour du système), à moins d'indication contraire ou fournie dans la présente garantie (dans chaque cas, la «période de garantie»).
REPRISE DE L'ÉQUIPEMENT SOUS GARANTIE : 2.1 Lorsqu'un composant de l'équipement fonctionne mal ou ne fonctionne pas en cas d'utilisation normale pendant la période de garantie applicable, (a) le client doit notifier CHANNEL MASTER dans les trente (30) jours de la découverte du problème. (b) CHANNEL MASTER, à sa seule discrétion, soit résoudra le problème par téléphone, soit fournira un numéro RMA et l'adresse à laquelle la pièce ou l'équipement défectueux doit être envoyé. (c) Si le problème ne peut pas être résolu par téléphone, le client doit fixer une étiquette portant le numéro RMA à l'extérieur du paquet de chaque pièce envoyée et inclure une description du problème. Le client doit, à ses propres frais, emballer correctement l'équipement à envoyer, indiquer le numéro RMA à l'extérieur du paquet, payer les frais d'expédition et d'assurance, et expédier le paquet à l'adresse spécifiée par CHANNEL MASTER. (d) Tout envoi non autorisé d'équipement sous garantie ou non fera l'objet de frais de manutention, en plus de tous les frais de réparation et de transport. (e) CHANNEL MASTER réparera ou remplacera, à sa seule discrétion, la pièce envoyée. En cas de remplacement, la pièce de remplacement sera ou neuve ou rénovée; si elle est rénovée, son fonctionnement sera équivalent à celui d'une pièce neuve. En cas de remplacement d'une pièce par CHANNEL MASTER, le client accepte que la pièce qu'il a envoyée devient la propriété de CHANNEL MASTER. (f) CHANNEL MASTER effectuera l'échange de la pièce fabriquée par CHANNEL MASTER et envoyée en vertu de la présente garantie dans des délais raisonnables, en fonction des délais de production de l'usine, et s'efforcera en toute bonne foi de minimiser au possible ces délais; et (g) CHANNEL MASTER

expédiera à ses frais au client la pièce réparée ou remplacée. Si le client demande une expédition express, le client paiera à CHANNEL MASTER les frais d'une telle expédition. 2.2 L'équipement réparé ou remplacé par CHANNEL MASTER en vertu de la présente garantie sera couvert conformément à toutes les conditions de la présente garantie pour le reste de la période de garantie applicable (pour l'équipement en question), à partir de la date de réparation ou de remplacement, selon la période la plus longue. 2.3 Si l'équipement est réparé en dehors de la période de garantie ou en cas de mauvaise utilisation de l'équipement, le client sera facturé selon les tarifs applicables et il sera prévenu des frais éventuels estimés avant la réparation par le centre de réparation agréé par CHANNEL MASTER. 2.4 Le prix de la réparation hors garantie payable par le client sera calculé sur la base des tarifs habituels des pièces et de la main-d'œuvre en vigueur à la date de la réparation. CHANNEL MASTER fera tous ses efforts pour s'assurer que le coût de ladite réparation, de l'échange, de la rénovation ou de la substitution ne dépasse pas le prix de l'équipement d'origine. 2.5 Si le problème se reproduit pendant la période de garantie, CHANNEL MASTER, à sa seule discrétion : (1) effectuera une deuxième réparation, (2) remplacera l'équipement conformément aux conditions de la présente garantie, (3) permettra au client de renvoyer l'équipement et le remboursera conformément aux conditions de la présente garantie, ou (4) remboursera le montant payé par le client pour le service.
MODIFICATION DE L'ÉQUIPEMENT : 4.1 CHANNEL MASTER se réserve le droit d'apporter une modification ou une amélioration à l'équipement, lors de la production suivante, sans encourir l'obligation d'effectuer ladite modification ou amélioration sur l'équipement déjà fabriqué ou vendu.
CAS DE FORCE MAJEURE : 5.1 CHANNEL MASTER ne sera pas responsable si son exécution en vertu de la présente garantie devient impraticable sur le plan commercial, en raison d'événements imprévus indépendants de la volonté de CHANNEL MASTER, y compris les cas de force majeure, incendies, inondations, guerres, actes de sabotage, troubles civils, accidents, conflits de travail, pénuries de main-d'œuvre, lois et règlements des autorités, valides ou non, ou en raison de l'impossibilité de se procurer des matériaux, de l'équipement ou du transport, ou de spécifications, de schémas ou de données incorrectes, retardées ou incomplètes de la part du client (collectivement la «force majeure»).
LIMITATIONS ET QUALIFICATIONS DE LA GARANTIE : 6.1 La présente garantie limitée ne couvre que le premier acheteur de l'équipement neuf et tient lieu de toute autre garantie, explicite ou implicite, y compris celles de qualité marchande et d'adaptation à un usage particulier. La présente garantie ne couvre aucun dégat, défaut ou panne causé par : (a) toute partie de l'équipement qui a pu être modifiée, adaptée, réparée, entretenue, transportée ou déplacée par une personne quelconque; (b) un remisage ou des caractéristiques environnementales non conformes aux articles applicables du manuel ou du mode d'emploi de l'équipement; (c) le non-respect des instructions de fonctionnement de l'équipement indiquées dans le manuel ou le mode d'emploi de l'équipement; (d) des causes extérieures, y compris des surtensions électriques extérieures ou la foudre, ou l'utilisation avec de l'équipement incompatible, à moins que ladite utilisation ait été demandée par écrit au préalable par CHANNEL MASTER; (e) un dégât superficiel; (f) un dégât accidentel, une négligence, une modification, un défaut de manutention, un abus ou un défaut d'utilisation; (g) un cas de force majeure.

LIMITATIONS DES DOMMAGES : 7.1 LA PRÉSENTE GARANTIE EST LA SEULE GARANTIE EXCLUSIVE POUR LE CLIENT QUANT À L'ÉQUIPEMENT. DE FAÇON SPÉCIFIQUE, CHANNEL MASTER DÉCLINE TOUTE RESPONSABILITÉ QUANT À TOUTES AUTRES GARANTIES DE TOUTES SORTES, EXPLICITES OU IMPLICITES, Y COMPRIS CELLES DE QUALITÉ MARCHANDE ET D'ADAPTATION À UN USAGE PARTICULIER. 7.2 CHANNEL MASTER NE SERA PAS CIVILEMENT RESPONSABLE, TANT EN CAS DE NÉGLIGENCE OU DE RESPONSABILITÉ ABSOLUE, ET NE SERA AUCUNEMENT RESPONSABLE EN CAS DE BLESSURES CORPORELLES OU DE DÉGÂTS MATÉRIELS. LA RESPONSABILITÉ DE CHANNEL MASTER EN CAS DE DÉFAUT DE S'ACQUITTER DE SES OBLIGATIONS EN VERTU DE LA PRÉSENTE GARANTIE OU DE TOUTE AUTRE RESPONSABILITÉ CONCERNANT OU EN RAPPORT AVEC L'ÉQUIPEMENT SE LIMITERA AU MONTANT DU PRIX D'ACHAT DE L'ÉQUIPEMENT NEUF À LA DATE DE L'ACHAT. LES RECOURS INDIQUÉS DANS LA PRÉSENTE GARANTIE SONT LES SEULS RECOURS DU CLIENT CONTRE CHANNEL MASTER CONCERNANT L'ÉQUIPEMENT. 7.3 MÊME AU CAS OÙ LA POSSIBILITÉ DE TELS RECOURS A ÉTÉ NOTIFIÉE À CHANNEL MASTER, CHANNEL MASTER NE SERA RESPONSABLE D'AUCUNS DOMMAGES DIRECTS OU INDIRECTS OU SPÉCIAUX, Y COMPRIS LA PERTE DE PROFITS ET DE REVENUS, L'IMPOSSIBILITÉ DE RÉALISER DES ÉCONOMIES ESPÉRÉES, TOUTE RÉCLAMATION D'UN TIERS CONTRE UN CLIENT OU TOUTES AUTRES PERTES COMMERCIALES OU ÉCONOMIQUES DE TOUTES SORTES. 7.4 LES PRÉSENTES LIMITATIONS ET STIPULATIONS D'EXONÉRATION DE CHANNEL MASTER NE SONT PAS VALIDES LÀ OÙ ELLES SONT INTERDITES PAR LA LOI.