



Ultimate Walk In Spa Bath with Foot Massage & Heated Seat



93217-HSB Left Hand Door and Drain



93218-HSB Right Hand Door and Drain

Actual Size: 29.75" W x 59.75" L x 38" H
 Shipping Size: 33" W x 63" L x 47" H
 Shipping Weight: 350 lbs.
 Net Weight: 240 lbs.
 Water Capacity: 95 gal. US (unoccupied)
 55-85 gal. US (occupied)

Options:

- Left or Right Hand Door/Drain
- 5 Piece Fast Fill Roman Faucet Set with Polished Chrome Finish (Hot, Cold, Diverter, Hand Shower, Tub Spout)

Included Features:

1. Tub Shell – Acrylic Tub Shell:
 - High quality cast acrylic grade A
 - Excellent color uniformity
 - High Gloss White Finish
 - 5 mm cast acrylic sheet
 - Fiberglass Reinforced
2. Stainless Steel Frame
3. Low threshold step in 8.5" with the option to lower to 5.5"
4. Seat Width: 20"
5. LED multiple color chromatherapy light with ON/OFF push control
6. Eight (8) adjustable heavy duty leveling legs
7. Stainless steel and tempered glass door, door frame and door seal gasket
8. Removable door for easy cleaning
9. Deck mount and wall mount two (2) safety grab bars
10. Unique removable swivel tray (Patent Pending)
11. Two (2) front, one (1) toe kick and one (1) side removable access panels
12. Air Massage System:
 - Nine (9) therapeutic air massage jets
 - 0.5HP air pump
 - ON/OFF push control
13. Hydro Massage System: *Upper*
 - Five (5) adjustable and six (6) fixed hydro jets
 - *Upper* air flow regulator for adjustable hydro massage
 - 1HP pump (900 Watts)

- ON/OFF push control
- In-line water heater (1.5 KW)
- Ozone Sterilization (12 Volts) with ON/OFF push control

14. Hydro Massage System: *Lower*
 - Six (6) adjustable hydro jets
 - *Lower* air flow regulator for adjustable hydro massage
 - .75HP pump (900 Watts)
 - ON/OFF push control
 - In-line water heater (1.5 KW)
15. Five-Piece Fast Fill Roman Tub Faucet
 - Solid brass spout with chrome finish
 - Three (3) Lever Handles
 - Pull out hand held shower with 5 ft. retractable stainless steel hose

Plumbing:

- Two (2) x 2" floor drains with 2 overflows and 2 ADA compliant stainless steel cable operated openers with extension handles
- Drainage time +/- 80 seconds to overflow
- Two (2) PVC 2" drain elbows with 2" opening

Electrical:

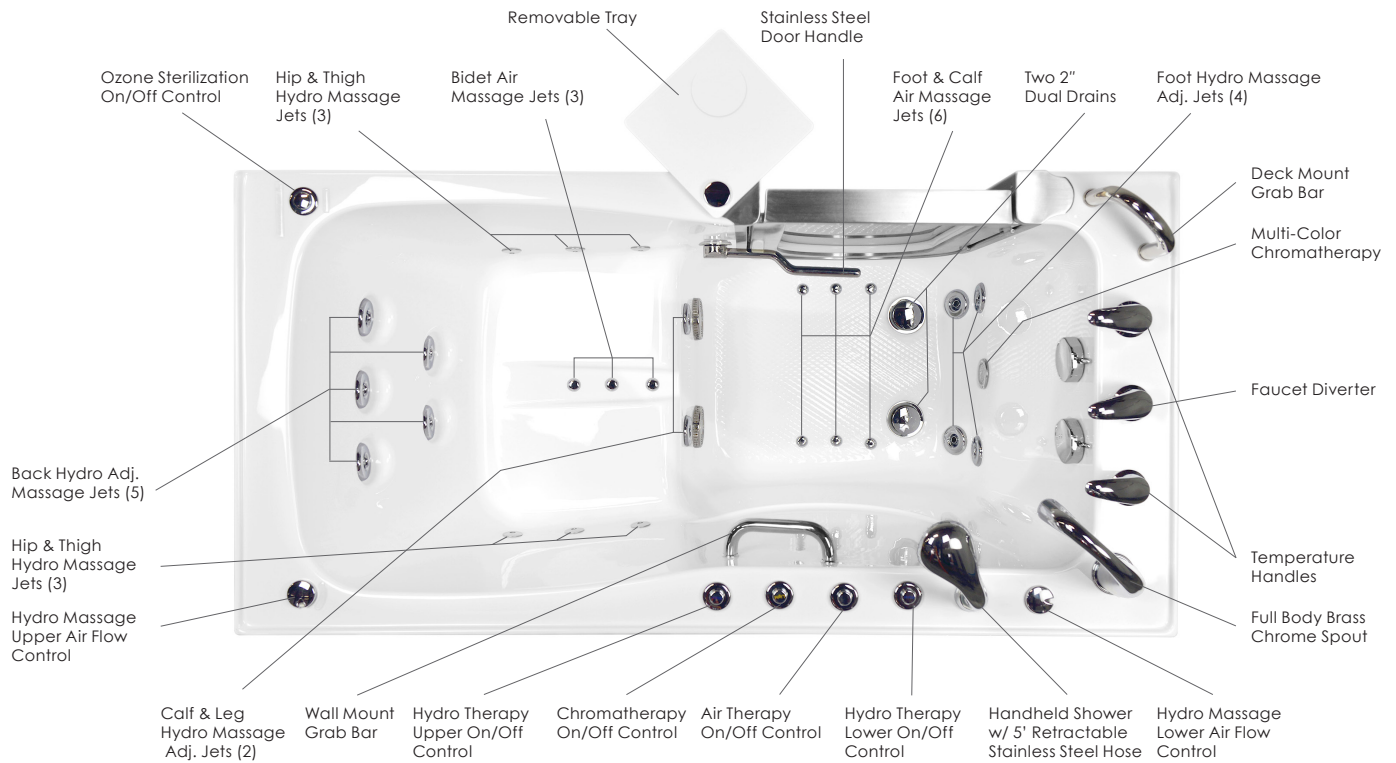
Electrical requirement is two (2) dedicated 120 V electrical line connection with two (2) 20AMP dedicated GCFI breaker line connection.

Warranty:

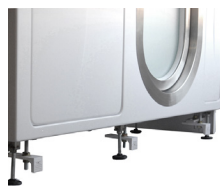
- Lifetime limited warranty on frame, door, door seal gasket and acrylic walk in tub shell
- 5 Year parts warranty*

*For more information please visit www.ellasbubbles.com

Ultimate Walk In Spa Bath Features



Panel On



Panel Off

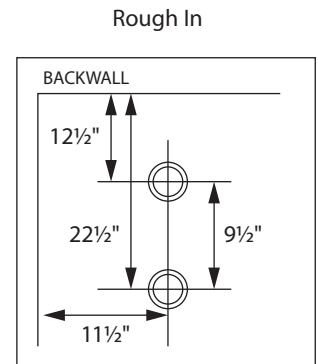
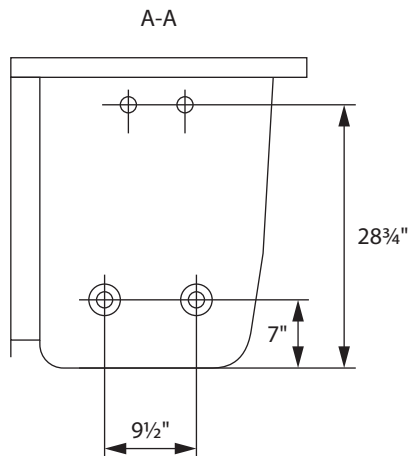
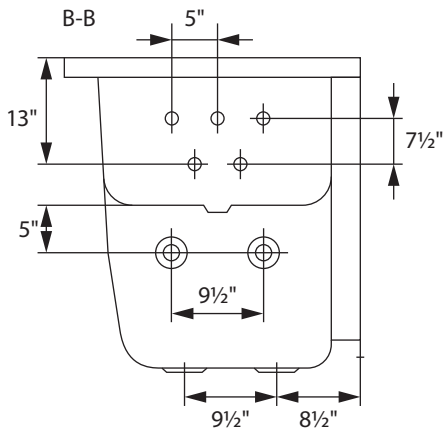
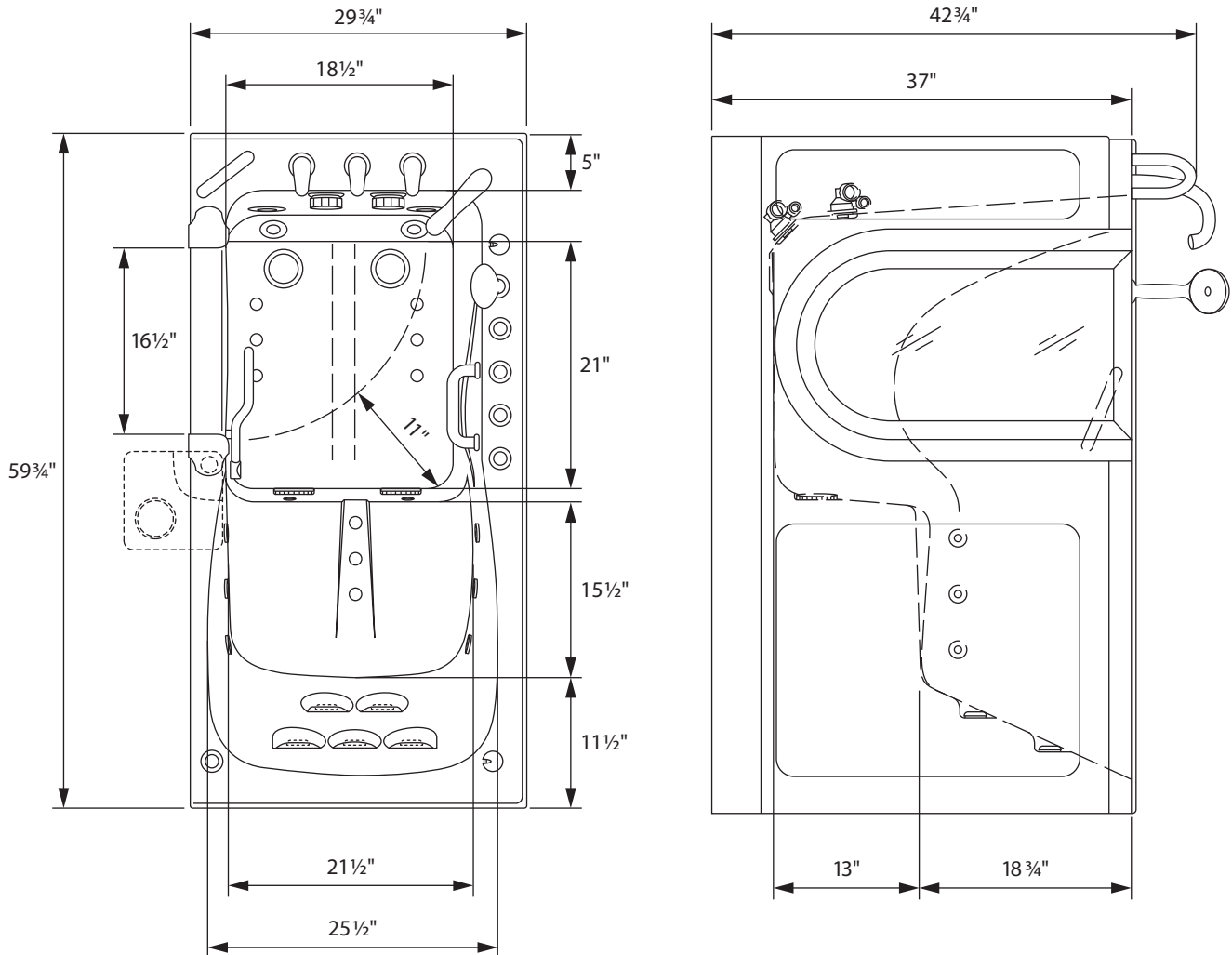


Lowered Threshold



Baseboard On
(not supplied)

*Left hand door and drain shown



Disclaimer:

In an effort to continually improve our product, specifications and configurations are subject to change without notice. Before ordering or installing, consider future access to essential equipment.

Ultimate Walk In Spa Bath Heated Seat & Backrest



Model #:

- BTHS-2000: Backrest and Seat Heater Combination
- BTHD200-201; BTCK-12024-SAMP: Seat Heater & Control
- BTHD0616, Series 200; BTCK-12024-SAMP: Backrest Heater and Control

Special Partner:



Specifications:

- Voltage:
Input - 120V
- Wattage:
Back - 22.3W
Seat - 44.6W
Total - 92W

Package Options:

- Seat Heater, Backrest Heater, and Control Box
- Seat Heater and Control Box
- Backrest Heater and Control Box

Features:

ThermoTub® Surface Heating System from ThermoSoft®

- For heating the backrest, seat, armrests and floors of acrylic & fiberglass bathtubs and showers
- Uses less energy than a standard light bulb
- UL listed for the US & Canada

FiberThermics® Surface Heaters

- Flexible, strong & uniquely safe
- Energy saving, reflective foil/foam insulation
- Hermetically sealed heating elements and connections
- Made in the USA

Controller

- Ultra-fast pre-heat
- One-touch, individualized, comfort maintenance
- 30 minute automatic shut-off timer
- Splash resistant housing for transformer and electronics
- Installation/mounting tabs mount to a) tub frame, b) floor 1.5" above tub mounting surface, c) alcove studs
- 120V, easy plug & play installation

Keypad

- Ergonomic electronic push button
- Water splash resistant housing for electronics
- Attractive LED "heatwave" display

Components:

- (1) Controller Box
- (1) LED Keypad
- (1) Seat Heater and/or
- (1) Backrest Heater

Codes:

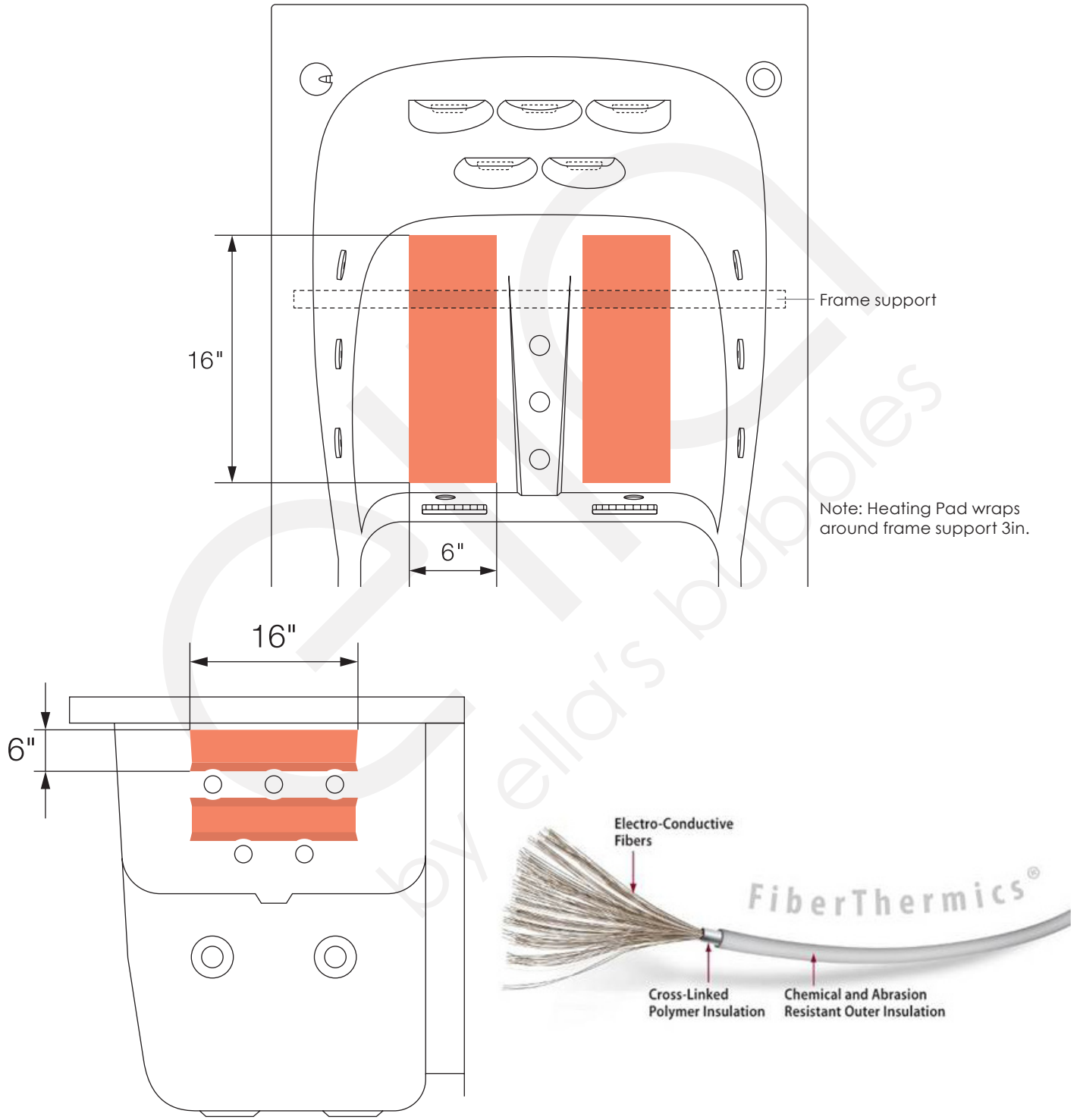
IPC, UPC, ANSI Z 124.2, NAHB, HUD, FHA

Warranty:

30 Year Limited Lifetime Warranty (on shower panels)*

*For more information please visit www.ellasbubbles.com

Ultimate Walk In Spa Bath Heated Seat & Backrest



Note: Heating Pad wraps around frame support 3in.

Note: Heating pad wraps close around jets for optimal heat exchange.