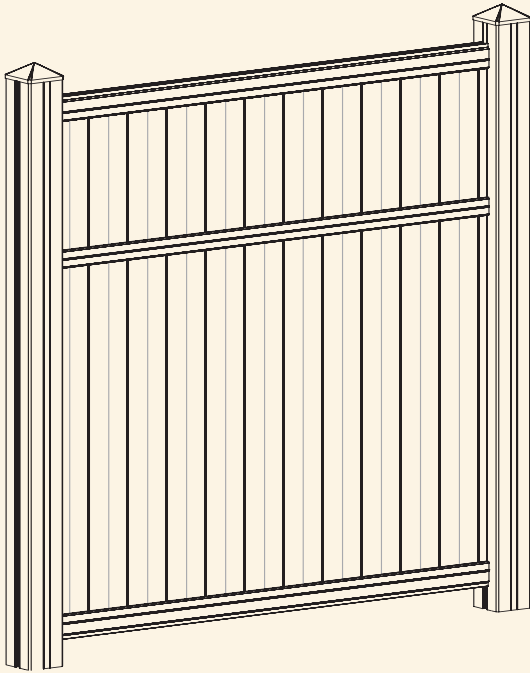




NATURAL BEAUTY that lasts

## EON® FENCING INSTALLATION MANUAL FOR THE PRIVACY AND SQUARE LATTICE TOP FENCE PANELS.

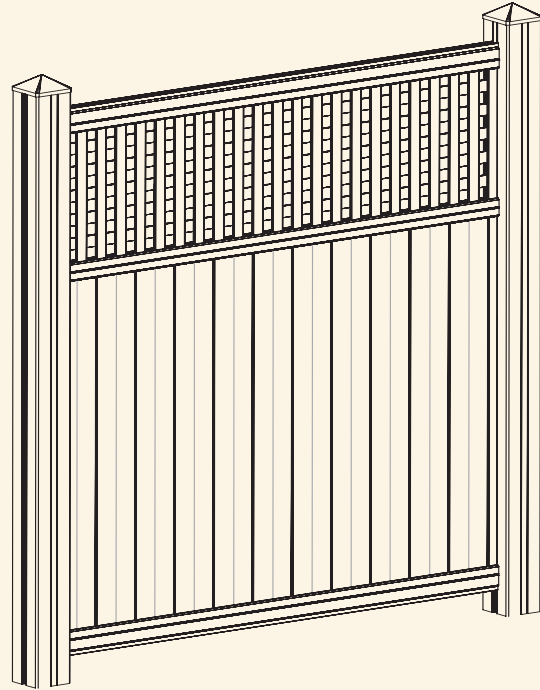
Welcome to Eon. The following instruction manual will assist you with the installation of your virtually maintenance free fence.



### PRIVACY FENCE PANEL

Dimensions: 6'(h) x 6'(w)

(Available in Cedar and Redwood)



### LATTICE TOP PRIVACY FENCE PANEL

Dimensions: 6'(h) x 6'(w)

(Available in Cedar and Redwood)

### INSTALLATION OVERVIEW:

- 1) Install Lumber Posts.
- 2) Slide Eon Post Sleeves over Lumber Posts.
- 3) Assemble Fence Panels.
- 4) Install Post Caps.

### CODES AND STANDARDS:

- Please conform to your local building codes and the requirements of all the authorities having jurisdiction.

### STORAGE & HANDLING:

- Carefully remove each piece from the box.
- Do not drag product on abrasive surfaces.
- Store in area that is clean and free of debris.

### TOOLS:

- Standard wood working tools are recommended while working with the Eon fencing system. Circular saw (carbide teeth recommended), hand saw, electric drill, 1/8" bit, 3/8" spade bit, 5/16" socket, measuring tape, pencil, level, square, silicone and rubber mallet.

### SAFETY:

- Protective safety equipment is recommended (e.g. eyewear, safety boots).
- Before digging, it is recommended to check that there are no gas lines, telephone lines, electrical or other cables where your posts will be installed.



## READ THIS SECTION BEFORE YOU START!

### EON FENCE QUICK TIPS:

**DO** read this entire installation guide before beginning installation.

**DO** inspect for defects and proper color before installation (once installed color variance will not be covered under warranty). All outdoor products will experience some weathering over time – you will see some slight color variation from the original color due to the weathering process.

**DO** make sure that the distance between posts (center to center) is exactly 72” (for the 6' X 6' size). If distance between posts is less than 72”, finishing pickets and rails will need to be cut. If distance between posts is over 72”, panel will not be installable.

**DO** use a taut string as a guideline to ensure that your lumber posts are straight and properly aligned.

**DO** measure twice, cut once.

**DO** pre-drill holes before you attach screws to Eon material. Failure to pre-drill may result in breakage.

**DO** set your drill at a low torque position.

**DO CENTER THE HOLES AND SCREWS WITHIN THE SLOTS OF THE “U” / “L” BRACKETS.**

**DO PRE-DRILL 3/8” HOLES THROUGH THE EON POST SLEEVES USING A 3/8” SPADE BIT. FAILURE TO DO SO WILL VOID YOUR WARRANTY AND MAY RESULT IN BREAKAGE TO POST SLEEVES. DO NOT PRE-DRILL INTO THE WOOD POSTS.**

**DO** plan your pickets. Like any wood product, Eon colors vary naturally from picket to picket. This is normal and gives each Eon fence panel a distinctive look and character. Plan and install your fence pickets to randomize slight color variations that may exist within each panel.



## READ THIS SECTION BEFORE YOU START!

### EON FENCE QUICK TIPS:

**DO** make sure that the power saw comes to a full speed before you start cutting Eon material (a coarse blade with carbide teeth recommended).

**DO LEAVE A MINIMUM OF 3 1/2” OF POST, POST SLEEVE AND INSERTS ABOVE EACH TOP RAIL TO ALLOW FOR METAL “U” BRACKET FASTENER. FAILURE TO DO SO MAY RESULT IN FAULTY INSTALLATION, EQUIPMENT DAMAGE OR PERSONAL INJURY IF MOVING SAW BLADE COMES INTO CONTACT WITH INSTALLED METAL BRACKET.**

**DO NOT** use a chainsaw to cut Eon Post Sleeves or lumber posts.

**DO NOT** use nails to fasten Eon. Only Eon Hardware Kit screws are to be used.

**DO NOT** use a pressure washer. Only a garden hose is required with mild soap if necessary.

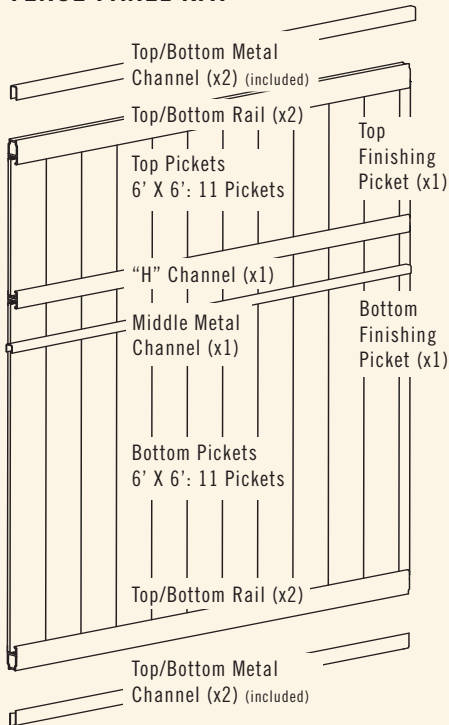
**DO NOT** throw pebbles, rocks and sharp objects against Eon fence.

### HOW TO CARE FOR YOUR EON FENCE:

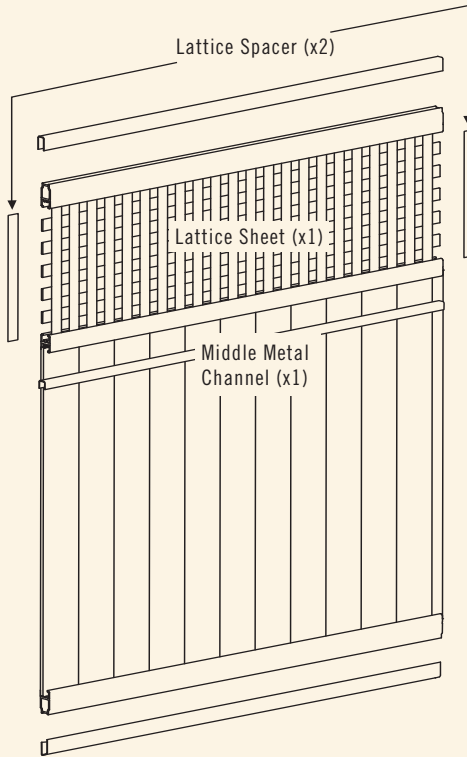
- Avoid the use of corrosive and petroleum based chemicals on Eon fence. For a complete list of care and cleaning products for Eon, visit the downloads section at [www.eonoutdoor.com](http://www.eonoutdoor.com)
- To remove scratches from Eon surface, simply run a loose utility knife blade over the scratch to blend it in. Due to weathering, scratches will fade over time to become less noticeable.
- For deep scratches, a crayola® crayon or Minwax® can be used to revive the color.

## FENCE KIT CONTENTS:

### FENCE PANEL KIT:

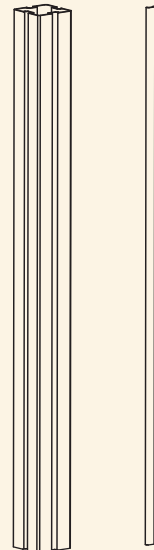


PRIVACY FENCE PANEL



LATTICE TOP PRIVACY FENCE PANEL

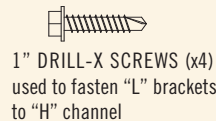
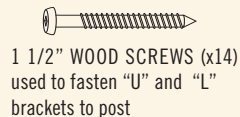
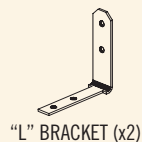
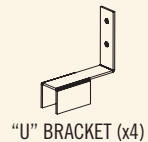
### POST SLEEVE KIT: (sold separately)



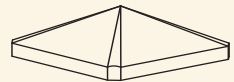
Post Sleeve (x1) Inserts (x3)

7' high  
Outside Dimension: 5 1/4"  
Inside Dimension: 3 11/16"

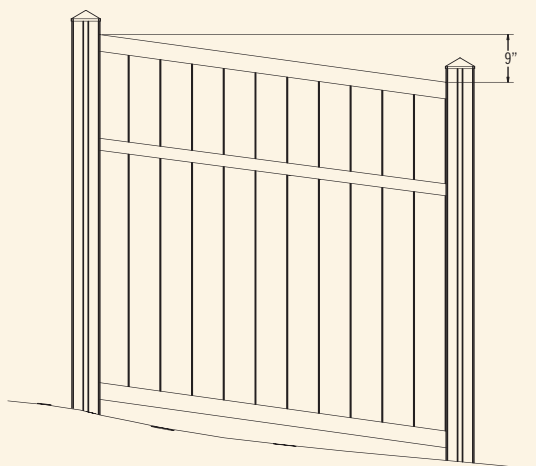
### HARDWARE KIT: (sold separately)



### POST CAP: (sold separately)



## BEFORE YOU START:



### PLANNING YOUR FENCE PROJECT:

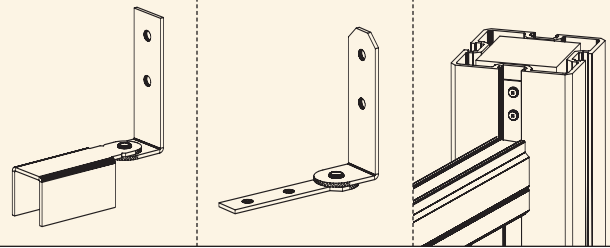
Sketch your project with the actual measurements (to scale) of your house and with the location of the fence. Determine how many Panels, Posts and Gates are required.

### INSTALLATION ON A SLOPE:

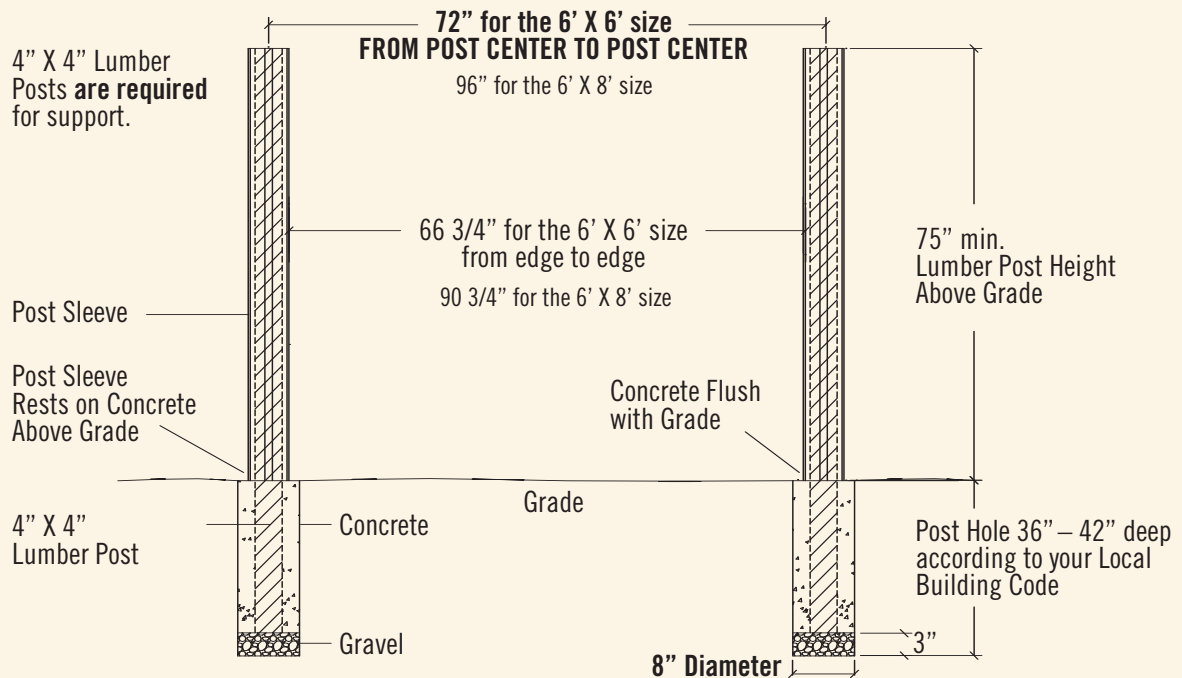
Eon fence can be installed on a sloped grade up to 9" within 6' without having to angle cut the pickets. For areas with more slopes, you will need a special rackable Eon fence which can be ordered by calling Eon Customer Service at 1-866-342-5366.

## SPECIAL HARDWARE KITS WITH PIVOTING BRACKETS:

Eon offers special Pivoting Brackets for backyards with irregular corners that are greater than or less than 90 degrees. These brackets are sold in special Hardware Kits and may be ordered through your hardware store, fence store or by calling Eon customer service at 1-866-342-5366.

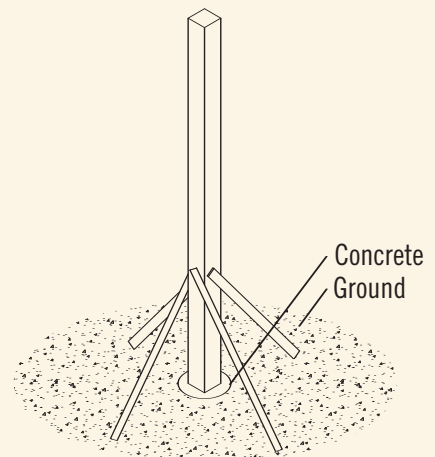


## STEP 1: Install Posts

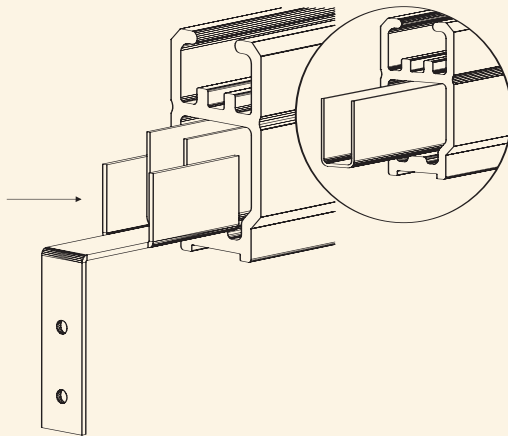


## PRO-TIPS FOR INSTALLING POSTS:

- Eon Fence can be installed by using a steel pipe and vinyl mount system instead of lumber post. For more information please call Eon customer service at 1-866-342-5366
- Distance between posts (center to center) **MUST BE EXACTLY 72" FOR THE 6' X 6' SIZE.**
- To ensure that your lumber posts are straight and properly aligned, use a taut string as a guideline.
- Be sure that the bottom of the wood post remains in contact with the gravel. **DO NOT ALLOW CONCRETE TO FLOW UNDERNEATH BOTTOM OF POST.**
- Wait until the concrete is completely dry (according to manufacturer's instructions) before you slide an Eon Post Sleeve over each lumber post. Eon Post Sleeve should remain above concrete.

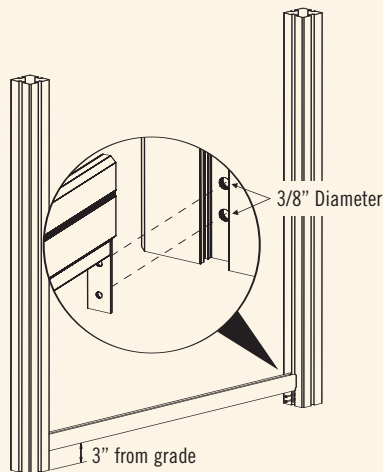


## STEP 2: Install "U" Bracket to Bottom Rail



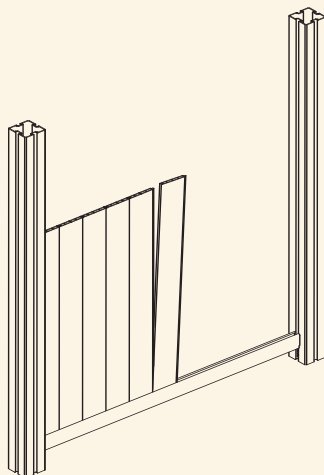
- Insert Bottom Metal Channel with open side facing up into the Bottom Rail as shown.
- Place "U" Brackets at both ends between the Bottom Metal Channel and Bottom Rail with bracket holes pointing down (The Metal Channel should be placed inside the "U" Bracket)

## STEP 3: Install Bottom Rail to Posts



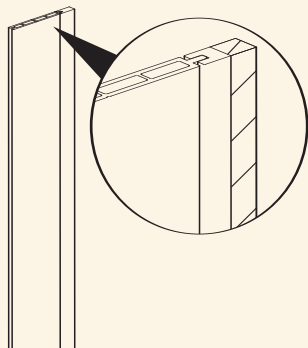
- **FOR MEASUREMENT PURPOSE ONLY**, slide down the Bottom Rail assembly between the posts and push the brackets into the groove of the Post Sleeve. Ensure your Bottom Rail is level.
- Mark **THE CENTER** of "U" Bracket holes onto the Post Sleeve groove then slide the Bottom Rail assembly up to remove it.
- **PRE-DRILL THE MARKS WITH A 3/8" SPADE BIT. DO NOT PRE-DRILL INTO THE WOOD POSTS. THIS ENSURES THAT NORMAL EON MATERIAL EXPANSION AND CONTRACTION WILL NOT RESULT IN DAMAGE TO POST SLEEVES.**
- Slide the Bottom Rail assembly back between the posts. Fasten the brackets to the posts at each end using two 1 1/2" wood screws. **(DO NOT OVERTIGHTEN)**

## STEP 4: Install Bottom Pickets



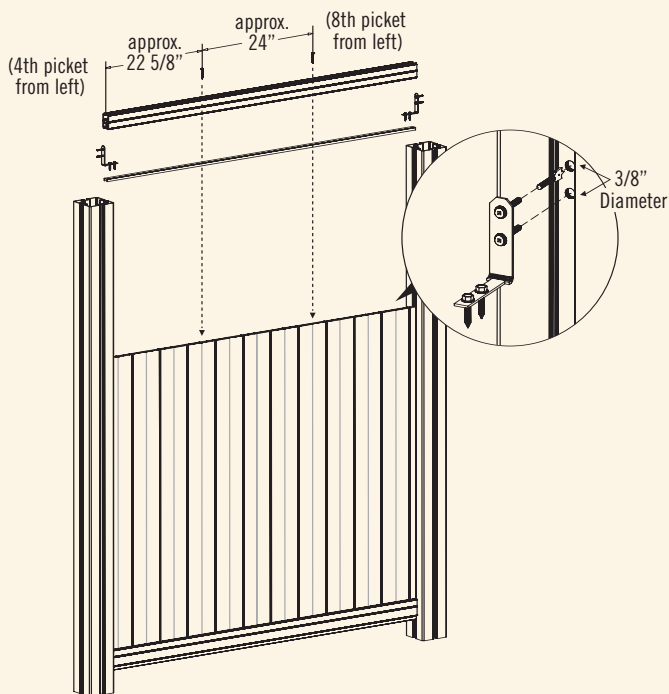
- Like any wood product, Eon colors vary naturally from Picket to Picket. Plan and install your fence Pickets to randomize slight color variations that may exist within each panel.
- Insert 11 Bottom Pickets and the Bottom Finishing Picket as your last piece.
- **ENSURE ALL PICKET TONGUES AND GROOVES ARE TIGHT. OTHERWISE, BOTTOM AND TOP PICKETS MAY NOT LINE UP AND THEY MAY OVERLAP THE "H" CHANNEL AND TOP RAIL.**
- **GENTLY TAP WITH A RUBBER Mallet TO CLOSE ANY GAPS.**
- **NOTE:** There could be a slight height variation between Pickets. This will not be visible once the "H" Channel is in place.

## STEP 5: Cutting Pickets (if required)



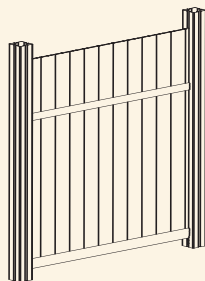
- If you have installed your fence posts less than 72" on center, the Top Finishing Picket and the Bottom Finishing Picket can be ripped to decrease the width of your fence panel.
- **DO NOT REMOVE THE GROOVED SECTION.**
- **NOTE: THE FINISHING PICKET SHOULD NOT BE FORCED IN. PLEASE RIP THE FINISHING PICKET IF REQUIRED TO ALLOW THE PART TO DROP GENTLY INTO PLACE.**

## STEP 6: Install "H" Channel



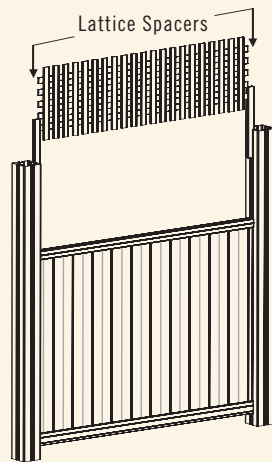
- Place Middle Metal Channel with open side facing down onto pickets.
- Place "L" Brackets on Middle Metal Channel with **WIDER END INTO THE POST SLEEVE GROOVE.**
- Mark **THE CENTER** of "L" Bracket holes onto the Post Sleeve groove and remove brackets.
- **PRE-DRILL THE MARKS WITH A 3/8" SPADE BIT. DO NOT PRE-DRILL INTO THE WOOD POSTS. THIS ENSURES THAT NORMAL EON MATERIAL EXPANSION AND CONTRACTION WILL NOT RESULT IN DAMAGE TO POST SLEEVES.**
- Place "L" Brackets back on Middle Metal Channel with **WIDER END INTO THE POST SLEEVE GROOVE.**
- Fasten the brackets to the posts at each end using two 1 1/2" wood screws. (**DO NOT OVERTIGHTEN**)
- Fasten brackets to Metal Channel **USING DRILL-X SCREWS.**
- Place "H" channel in place over the brackets and Metal Channel.
- **ENSURE "H" CHANNEL IS LEVEL AND PICKETS ARE COMPLETELY INSERTED INTO CHANNEL.** Use rubber mallet if required.
- Pre-drill two 1/8" holes inside the center of the "H" Channel through the Metal Channel and insert two 1 1/2" wood screws. (**SEE DRAWING FOR SCREW PLACEMENT**).

## STEP 7A: Install Top Pickets (if applicable)



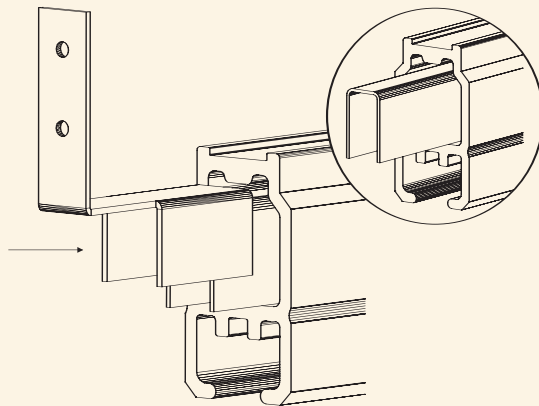
- **TOP AND BOTTOM PICKETS SHOULD BE STARTED IN THE SAME SIDE SO THE FINISHING PICKETS WILL END UP IN THE SAME SIDE.**
- Ensure that all Top and Bottom Pickets line up. Gently tap with a rubber mallet if needed.
- Cut width of Top Finishing Picket if required (refer to Step #5).
- **NOTE:** Notch Top Finishing Picket if bracket is stopping you from placing the picket in correctly.

## STEP 7B: Install Lattice (if applicable)



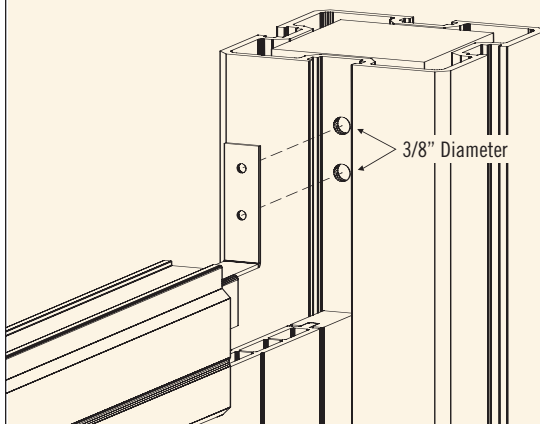
- Insert Lattice Spacers into the Post Sleeve grooves and each end of the “H” Channel.
- Insert Lattice Sheet into the grooves of each Lattice Spacer.

## STEP 8: Install “U” Bracket to Top Rail



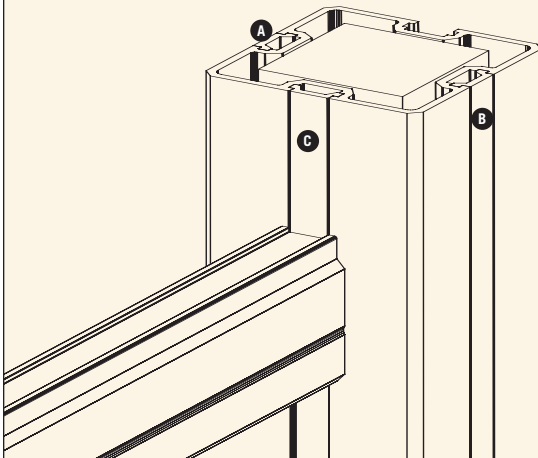
- Insert Top Metal Channel with open side facing down into the Top Rail as shown.
- Place “U” Brackets at both ends between the Top Metal Channel and Top Rail with bracket holes pointing up (The Metal Channel should be placed inside the “U” Bracket)

## STEP 9: Install Top Rail to Posts



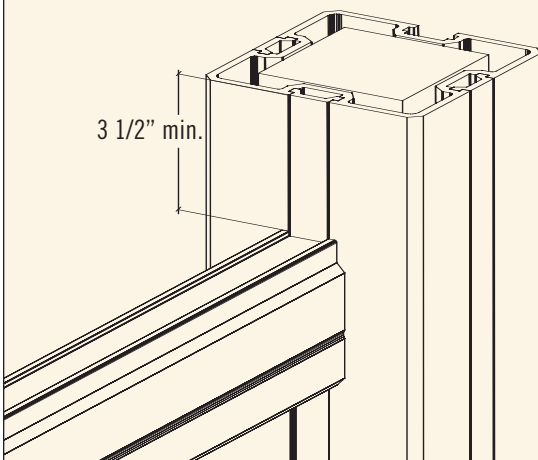
- **FOR MEASUREMENT PURPOSE ONLY**, slide down the Top Rail assembly between the posts and push the brackets into the groove of the Post Sleeve. Ensure your Top Rail is level.
- Mark **THE CENTER** of “U” Bracket holes onto the Post Sleeve groove and slide the Top Rail assembly up to remove it.
- **PRE-DRILL THE MARKS WITH A 3/8" SPADE BIT. DO NOT PRE-DRILL INTO THE WOOD POSTS. THIS ENSURES THAT NORMAL EON MATERIAL EXPANSION AND CONTRACTION WILL NOT RESULT IN DAMAGE TO POST SLEEVES.**
- Slide the Top Rail assembly back between the posts. Fasten the brackets to the posts at each end using two 1 1/2" wood screws. **(DO NOT OVERTIGHTEN)**

## STEP 10: Install Post Sleeve Inserts



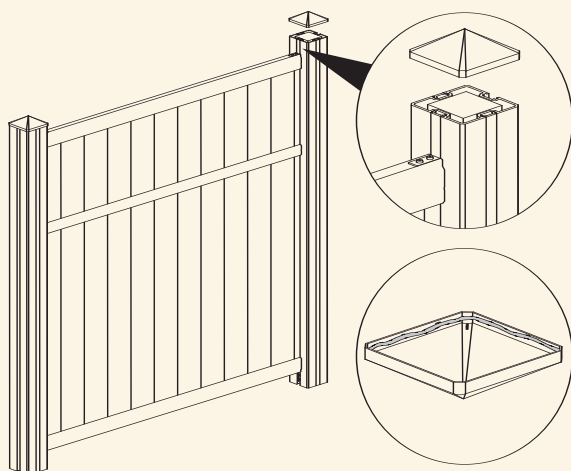
- Slide full length Post Sleeve Inserts into place **(A+B)**.
- Slide a minimum of 3 1/2" Post Sleeve Insert into place **(C)**.

## STEP 11: Cut Post Assembly



- Using a circular saw, cut Post, Post Sleeve and Post Sleeve Inserts **TO A MINIMUM HEIGHT OF 3 1/2" ABOVE TOP RAIL TO ACCOMMODATE "U" BRACKETS.**
- Make sure all parts are level.
- **DO NOT** use a chainsaw to cut Eon Post Sleeves or lumber post.
- You may have to make a finishing cut through the top of the lumber post.

## STEP 12: Install Cap



- Apply silicone bead 3/16" inside rim of Post Cap.
- Attach Post Cap to Post Sleeve.



